

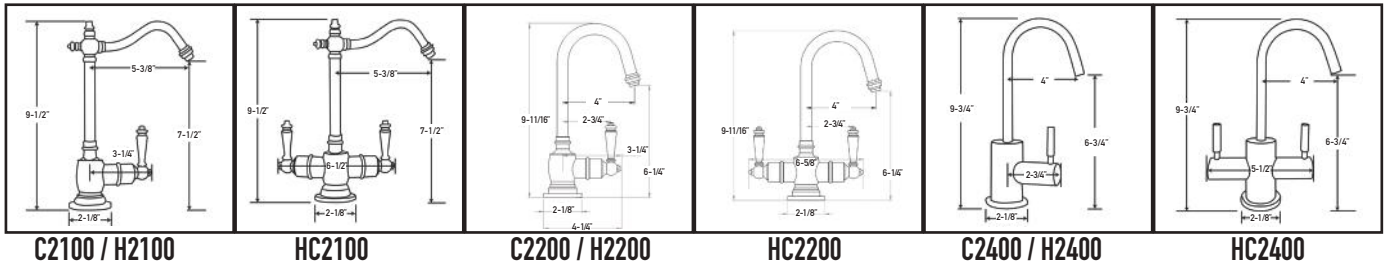


# FILTRATION FAUCET INSTALLATION INSTRUCTIONS

ITEM C2100  
ITEM C2200  
ITEM C2400

ITEM H2100  
ITEM H2200  
ITEM H2400

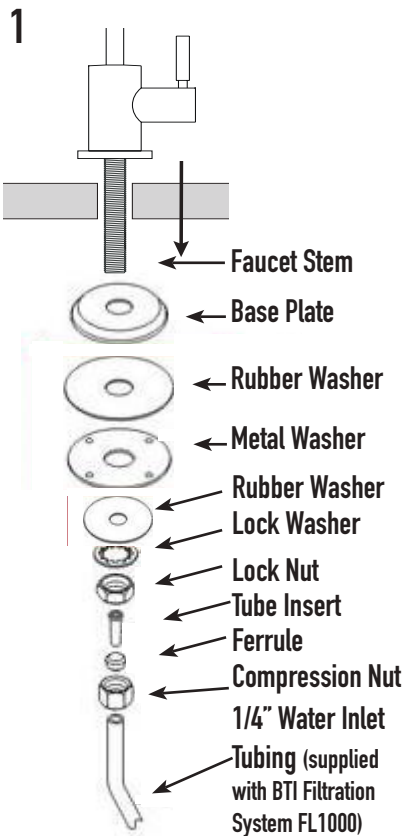
ITEM HC2100  
ITEM HC2200  
ITEM HC2400



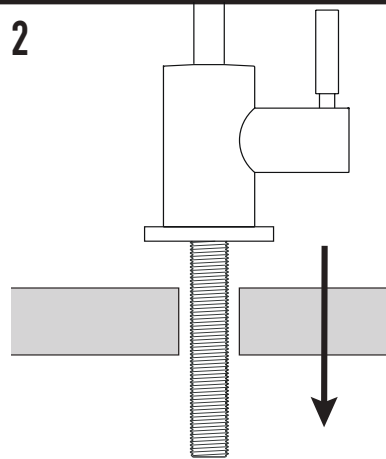
**SHUT OFF WATER SUPPLY  
BEFORE INSTALLATION**

**TOOLS REQUIRED**  
ADJUSTABLE WRENCH • DRILL • PLUMBERS' TAPE  
PHILLIPS HEAD SCREWDRIVER

## COLD ONLY FILTRATION FAUCET W/ FILTRATION SYSTEM ITEMS: C2100, C2200, C2400



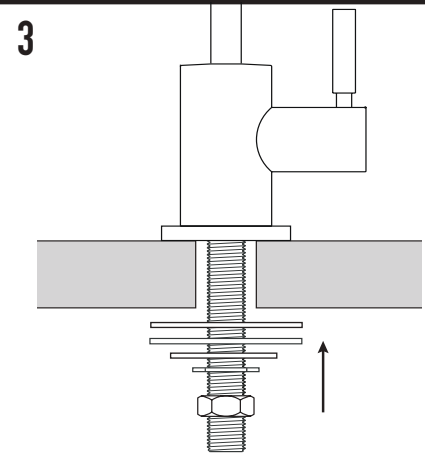
Drill 3/4" to 1" in diameter hole in countertop. Maximum counter thickness is 2"



Center the base plate with built-in O-ring over the mounting hole on the top of the countertop. Center the faucet body on the base plate.

If desired, apply a thin bead of silicone seal under the base plate for added sealing.

**DO NOT USE PLUMBERS' PUTTY**



Place faucet handle in desired position. Fasten the faucet from under the countertop, sliding large rubber washer, then metal washer, then smaller rubber washer, then 5/8" diameter serrated lock washer on the faucet stem, and secure with the lock nut so the faucet does not move/spin.

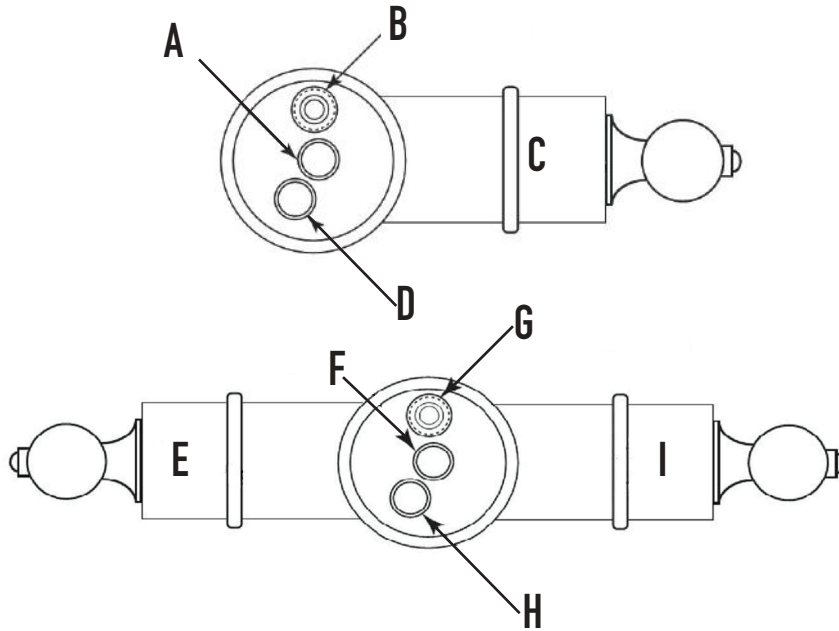
**DO NOT OVER TIGHTEN**



# FILTRATION FAUCET INSTALLATION INSTRUCTIONS, page 3 of 4

**HOT ONLY and HOT/COLD FILTRATION FAUCET W/ BTI AQUA-SOLUTIONS DIGITAL INSTANT HOT WATER DISPENSER  
ITEMS: H2100, H2200, H2400, HC2100, HC2200, HC2400, HT4105**

**1**



Hoses are attached to faucet body as shown in diagram.

A - Blue Label Cold Water-In Hose  
B - Faucet Stem  
C - Hot Only Faucet, Hot Handle  
D - Black Label Pressure Tank Hose  
E - Hot & Cold Faucet, Cold Handle  
F - Blue Label Cold Water-In Hose  
G - Faucet Stem  
H - Black Label Pressure Tank Hose  
I - Hot & Cold Faucet, Hot Handle

**2**

Drill 1-3/8" hole in countertop.  
(Maximum counter thickness is 2")

**3**

Center the base plate with built-in O-ring over the mounting hole on the top of the countertop. Center the faucet body on the base plate.

If desired, apply a thin bead of silicone seal under the base plate for added sealing.

**DO NOT USE PLUMBERS' PUTTY**

**4**

For Hot Only Faucet: Place faucet handle in desired position.

Fasten the faucet from under the countertop by first sliding the rubber washer, then the metal washer onto the faucet stem.

Make sure to place the 3 screws on the metal washer through the matching holes of the rubber washer and slide both washers up to the bottom of the countertop.

**5**

Thread the mounting nut to the top of the faucet stem and hand tighten. Once the faucet is secure, tighten the 3 screws against the underside of the countertop. This will prevent the faucet from moving/spinning.

**6**

Place a metal pinch-clamp on one end of the clear hose and attach the clear hose to faucet stem end.

Secure with pinch-clamp.

**7**

Attach the braided blue label cold-water-in hose to cold-water supply line.

Use plumbers' tape on the outside threads to provide a good seal.

# FILTRATION FAUCET INSTALLATION INSTRUCTIONS, page 4 of 4

**HOT ONLY and HOT/COLD FILTRATION FAUCET W/ BTI AQUA-SOLUTIONS DIGITAL INSTANT HOT WATER DISPENSER**  
**ITEMS: H2100, H2200, H2400, HC2100, HC2200, HC2400, HT4105**

**8**

Attach the braided black label pressure tank hose to the blue cold-water inlet on the dispenser.

Screw the tapered adapter onto the red hot-water outlet. Use plumbers' tape on the outside threads of the outlet for a good seal.

Make sure that all lines are as straight as possible and not kinked, as this may adversely affect the performance of the dispenser.

**9**

Place the remaining metal pinch-clamp on the open end of the clear hose. Push the clear hose onto the tapered adapter previously installed on the red hot-water outlet. Secure with pinch-clamp.

**10**

Turn on the water supply and check for leak(s), **ESPECIALLY** at the water supply and connection points. If leak(s) are present, shut off the water supply, repair the leak and re-test the system as described.

Open the hot handle of the faucet and turn on the water supply. Water will flow from the faucet when the dispenser is full.

**ENJOY YOUR BTI FILTRATION FAUCET AND DIGITAL INSTANT HOT WATER DISPENSER!**

## CARE INSTRUCTIONS FOR CHROME, BRUSHED NICKEL AND POLISHED NICKEL FINISHES

**IMPORTANT:** It is the customer's responsibility to check for any material finish defects **BEFORE** installation.

The best general maintenance is regular cleaning. Even though these finishes are considered durable, you **CAN NEVER** use any abrasive type cleaners, sponges, cloths or pads to clean the fixture. Always try to keep the finish clean and dry. Trapped moisture on the surface of the finish can lead to staining. Astringent cleaners, chlorine, bleach, along with acidic based organic cleansers are potentially harmful to these finishes.

**RECOMMENDED MAINTENANCE:** Do not allow water spots to dry on the fixture. Keep the surface dry and clean after use. All products should be cleaned with a damp, clean, soft cloth and mild, nonabrasive soap to remove surface spots. Be gentle in your cleaning method. **NEVER** use cleaners that contain bleach, abrasives or vinegar. **NEVER** use any type of abrasive sponge or pad.

## FILTRATION FAUCET PRODUCT WARRANTY

BTI Aqua-Solutions provides warranties against functional and finish defects in material or workmanship for all Filtration Faucets, to the original purchaser, in residential applications. Filtration Faucets are warrantied for **FIVE YEARS** for functional defects, for **SEVEN YEARS** for Brushed Nickel and Polished Nickel finish defects, and **LIFETIME** for Chrome finish defects.

To file a warranty claim for a functional or finish defect, a dated receipt of purchase of the product from an Authorized BTI Dealer must accompany the warranty request. To submit a warranty claim, contact: [warrantyservices@btiaquasolutions.com](mailto:warrantyservices@btiaquasolutions.com)

Improper installation, the failure to perform proper maintenance, or uses for which the products were not designed are not warrantied. The warranty will be void if the finish has been improperly cared for due to lack of cleaning or cleaning with improper cleaning materials which result in damage. BTI Aqua-Solutions has no liability for indirect or consequential damages to its products. The finish warranty is for normal wear and tear of the finished surface.

BTI Aqua-Solutions will repair or replace, at its option, any of the products listed above that BTI has determined to have a manufacturing defect. BTI Aqua-Solutions is not responsible for any installation or labor charges and will not pay for any repair cost performed on its products without prior written consent by a BTI Aqua-Solutions authorized representative.