



## INSTALLATION, USE AND CARE MANUAL



**GLA3  
Series**



**MTR3  
Series**



**ALT3 &  
ALT4 Series**

Serial number: \_\_\_\_\_

Part# 1116676B

# Content

Page 3-6.....	Safety
Page 7-21.....	Installation
Page 22-23.....	Operation
Page 24.....	Maintenance and Cleaning
Page 25.....	Wiring Diagram
Page 26-27.....	Service Part
Page 28.....	Warranty

## **SAFETY**

**This manual explains the proper installation and use of your range hood, please read it carefully before using even if you are familiar with the product. The manual should be kept in a safe place for future reference.**

### **Never do:**

- Do not try to use the range hood without the grease filters or if the filters are excessively greasy.
- Do not install above a range with a high level grill.
- Do not leave frying pans unattended during use because overheated fats or oils might catch fire.
- Never leave naked flames under the range hood.



- If the range hood is damaged, do not attempt to use.
- Do not burn anything under the range hood.
- **CAUTION:** Accessible parts may become hot when used with cooking appliances.
- The air must not be discharged into a flue that is used for exhausting fumes from appliances burning gas or other fuels. Range hoods and other cooking fume extractors may adversely affect the safe operation of appliances burning gas or other fuels (including those in other rooms) due to back flow of combustion gases. These gases can potentially result in carbon monoxide poisoning. After installation of a range hood or other cooking fume extractor, the operation of open flued gas appliances should be tested by a competent person to ensure that back flow of combustion gases does not occur.



### **Always do:**

- Important! Always switch off the electricity supply at the mains during installation and maintenance such as light bulb replacement.
- The range hood must be installed in accordance with the installation instructions and all measurements followed.
- All installation work must be carried out by a competent person or qualified electrician.
- Please dispose of the packing materials carefully. They could be risk to children.
- Make sure the ducting has no bends sharper than 90 degrees as this will reduce the efficiency of the range hood.
- **Warning:** Failure to install the screws or fixing device in accordance with these instructions may result in electrical hazards.
- **Warning:** Before obtaining access to terminals, all supply circuits must be disconnected.
- If the voltage rating of the lamp is less than the rated voltage of the appliance, the voltage rating of the lamp shall also be marked on or near the lamp holder.

- Always follows the cooking equipment manufacturer's requirements regarding the ventilation needs.

- Range hood is for domestic use only.



- If the supply cord is damaged, it must be replaced by the manufacturer, its service agent or similarly qualified persons in order to avoid a hazard.
- **Caution:** The appliance and its accessible parts can become hot during operation. Be careful to avoid touching the heating elements.
- There is a fire risk if cleaning is not carried out in accordance with the instructions.
- Regulations concerning the discharge of air have to be fulfilled.

- Clean your appliance periodically by following the method given in the chapter MAINTENANCE.
- For safety reason, please use only the same size of fixing or mounting screw which are recommended in this instruction manual.
- Regarding the details about the method and frequency of cleaning, please refer to maintenance and cleaning section in the instruction manual.
- Regarding the information about how the appliance is to be fixed to its support, please refer to Operation section, the Installation procedures in this manual.
- **WARNING:** Danger of fire: do not store items on the cooking surfaces.
- A steam cleaner is not to be used.
- **NEVER** try to extinguish a fire with water but switch off the appliance and then cover flame e.g. with a lid or a fire blanket.

# READ AND SAVE THESE INSTRUCTIONS

## IMPORTANT SAFETY INSTRUCTIONS

### **WARNING**

1. Before servicing or cleaning unit, unplug or disconnect the rangehood from the power supply.
2. TO REDUCE THE RISK OF A RANGE TOP GREASE FIRE:
  - A. Never leave surface units unattended at high settings. Boilovers cause smoking and greasy spillovers that may ignite. Heat oils slowly on low or medium settings.
  - B. Always turn hood ON when cooking at high heat or when flambeing food (i.e. Crepes Suzette, Cherries Jubilee, Peppercorn Beef Flambe).
  - C. Clean ventilating fans frequently. Grease should not be allowed to accumulate on fan or filter.
  - D. Use proper pan size. Always use cookware appropriate for the size of the surface element.
3. TO REDUCE THE RISK OF INJURY TO PERSONS IN THE EVENT OF A RANGE TOP GREASE FIRE, OBSERVE THE FOLLOWING:
  - A. SMOTHER FLAMES with a close-fitting lid, cookie sheet, or metal tray, then turn off the burner. BE CAREFUL TO PREVENT BURNS. If the flames do not go out immediately, EVACUATE AND CALL THE FIRE DEPARTMENT.
  - B. NEVER PICK UP A FLAMING PAN – You may be burned.
  - C. DO NOT USE WATER, including wet dishcloths or towels – a violent steam explosion will result.
  - D. Use an extinguisher ONLY if:
    - 1) You know you have a Class ABC extinguisher, and you already know how to operate it.
    - 2) The fire is small and contained in the area where it started.
    - 3) The fire department is being called.
    - 4) You can fight the fire with your back to an exit.
4. To reduce the risk of fire or electric shock, do not use this fan with any solid-state speed control device.

#### **1. For the permanently-connected range hood**

TO REDUCE THE RISK OF FIRE, ELECTRIC SHOCK, OR INJURY TO PERSONS, OBSERVE THE FOLLOWING:

- A. Use this unit only in the manner intended by the manufacturer. If you have questions, contact the manufacturer.
- B. Before servicing or cleaning unit, switch power off at service panel and lock the service disconnecting means to prevent power from being switched on accidentally. When the service disconnecting means cannot be locked, securely fasten a prominent warning device, such as a tag, to the service panel.

## **2. For the cord-connected range hood**

**WARNING: TO PROVIDE PROTECTION AGAINST ELECTRIC SHOCK, CONNECT TO PROPERLY GROUNDED OUTLETS ONLY.**

3. This appliance is not intended for use by persons (including children) with reduced physical, sensory or mental capabilities, or lack of experience and knowledge, unless they have been given supervision or instruction concerning use of the appliance by a person responsible for their safety.
4. Children should be supervised to ensure that they do not play with the appliance.
5. If the SUPPLY CORD is damaged, it must be replaced by the manufacturer, its service agent or similarly qualified persons in order to avoid a hazard.
6. The air must not be discharged into a flue that is used for exhausting fumes from appliances burning gas or other fuels.
7. For best capture of cooking fumes, the bottom of the hood **MUST NOT BE LESS** than 18" for electric range or 26" for gas range and at a recommended maximum of 30" above the cooking surface (at installer discretion).
8. Regulations concerning the discharge of air have to be fulfilled.
9. To reduce the risk of fire, electric shock or injury to persons, do not use replacement parts that have not been recommended by the manufacturer (e.g. Parts made at home using a 3D printer).

### **CAUTION:**

1. For general ventilating use only. Do not use to exhaust hazardous or explosive materials and vapors.
2. There shall be adequate ventilation of the room when the range hood is used at the same time as appliances burning gas or other fuels.
3. There is a fire risk if cleaning is not carried out in accordance with the instructions.
4. Accessible parts may become hot when used with cooking appliances.

# **INSTALLATION**

## **⚠️ ⚠️ WARNING**

1. TO REDUCE THE RISK OF FIRE, USE ONLY METAL DUCTWORK.

GROUNDING INSTRUCTIONS

### **2. For the cord-connected rangehood**

#### **GROUNDING INSTRUCTIONS**

This appliance must be grounded. In the event of an electrical short circuit, grounding reduces the risk of electric shock by providing an escape wire for the electric current. This appliance is equipped with a cord having a grounding wire with a grounding plug. The plug must be plugged into an outlet that is properly installed and grounded.

**WARNING** - Improper grounding can result in a risk of electric shock.

Consult a qualified electrician if the grounding instructions are not completely understood, or if doubt exists as to whether the appliance is properly grounded.

Do not use an extension cord. If the power supply cord is too short, have a qualified electrician install an outlet near the appliance

### **3. For the permanently-connected rangehood**

TO REDUCE THE RISK OF FIRE, ELECTRIC SHOCK, OR INJURY TO PERSONS, OBSERVE THE FOLLOWING:

- A. Installation work and electrical wiring must be done by qualified person(s) in accordance with all applicable codes and standards, including fire-rated construction.
- B. Sufficient air is needed for proper combustion and exhausting of gases through the flue (chimney) of fuel burning equipment to prevent back drafting. Follow the heating equipment manufacturer's guideline and safety standards such as those published by the National Fire Protection Association (NFPA), and the American Society for Heating, Refrigeration and Air Conditioning Engineers (ASHRAE), and the local code authorities.
- C. When cutting or drilling into wall or ceiling, do not damage electrical wiring and other hidden utilities.
- D. Ducted fans must always be vented to the outdoors.
- E. If this unit is to be installed over a tub or shower, it must be marked as appropriate for the application and be connected to a GFCI (Ground Fault Circuit Interrupter) – protected branch circuit.
- F. Installation work and electrical wiring must be done by qualified person(s) in accordance with the National Electrical Code, ANSI/NFPA 70 and local codes. Before you begin installing, switch power off at service panel and lock the service disconnecting means to prevent power from being switched on accidentally. When the service disconnecting means cannot be locked, securely fasten a prominent warning device, such as a tag, to the service panel.
- G. Connect power cable to house wiring inside of electrical outlet box. Conductor of product identified as grounded conductor (WHITE) to be connected to a grounded conductor (WHITE) of power supply, conductor of product identified as ungrounded conductor (BLACK) to be connected to an ungrounded conductor (BLACK) of power supply, conductor of product identified for equipment grounding (GREEN) to be connected to an equipment grounding (GREEN) conductor. Secure power cable to wiring box with appropriate wire clamp and re-attach outlet box cover.

## **⚠ CAUTION**

To reduce risk of fire and to properly exhaust air, be sure to duct air outside - Do not vent exhaust air into spaces within walls or ceilings or into attics, crawl spaces, or garages.

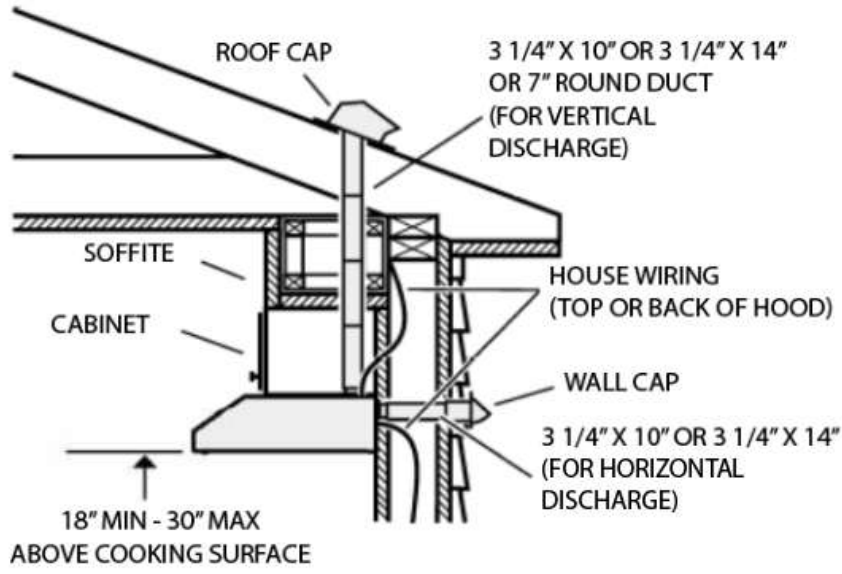
*For ADA compliance installation guidelines, please use kit HAWSK5 for GLA3, MTR3, ALT3 & ALT4 series. Visit Broan website for installation instruction ([ADA Instructions Intermediate Hoods](#))*

## **Installation Preparation**

Recommended Tools and Accessories for Installation:

- Measuring tape
- Phillips screwdriver no. 2
- Nutdriver or socket 11/32"
- Flat blade screwdriver (to open knockout holes)
- Drill, 1/8" drill bit and 1 1/2" hole saw (to mark holes for ducting and cut electrical access hole)
- Wood shims (2) and wood screws (4) (required for standard installation to framed cabinet)
- Saw (to cut holes for ducted application)
- Sheet metal shears (ducted installation only, for duct adjustment)
- Pliers (ducted installation only, for duct adjustment)
- Metal foil duct tape (for ducted applications)
- Scissors (to cut metal foil duct tape)
- Pencil
- Wire stripper
- Strain relief, 1/2" diameter (to secure house wiring cable to the hood)
- BP87Q Damper (needed if 7-in. round duct is used)

## Install Ductwork (Ducted Installations Only)



\*3 1/4" x 14" only for ALT4

NOTE: Distances over 30" are at the installer and user discretion.

1. Determine whether hood will discharge vertically (3 1/4" x 10" or 3 1/4" x 14" or 7" round), or horizontally (3 1/4" x 10" or 3 1/4" x 14").  
Note : 3 1/4"x14" discharge option only available for ALT4 model.
2. Decide where the ductwork will run between the hood and the outdoors.
3. The ducting from this fan to the outside of the building has a strong effect on the air flow, noise and energy use of the fan. Use the shortest, straightest duct routing possible for best performance, and avoid installing the fan with smaller ducts than recommended. Insulation around the ducts can reduce energy loss and inhibit mold growth. Fans installed with existing ducts may not achieve their rated airflow. Refer to the table below to help you plan the most efficient installation.
4. Install wall cap or roof cap (sold separately). Connect metal ductwork to cap and work back towards the hood location. Use 2" metal foil duct tape to seal the joints between ductwork sections.

### For GLA3, MTR3, ALT3 Series

Maximum duct lengths recommended to achieve 80% exhaust efficiency

3 1/4" X10" HORIZONTAL MAXIMUM DUCT LENGTH	3 1/4" X10" VERTICAL MAXIMUM DUCT LENGTH	7" ROUND MAXIMUM DUCT LENGTH	ROOF OR WALL CAP WITH DAMPER	ELBOW(S)* (90° AND/OR 45°)
73 ft.	67 ft.	83 ft.	1	0
64 ft.	59 ft.	68 ft.	1	1
56 ft.	50 ft.	54 ft.	1	2

\* Standard elbows with 1" internal radius

NOTE: 6" round ducting is possible but may reduce exhaust efficiency.

## For ALT4 Serie

Maximum duct lengths recommended  
to achieve 80% exhaust efficiency

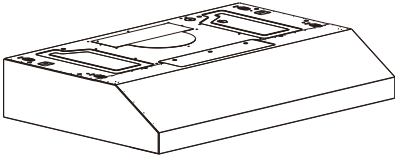

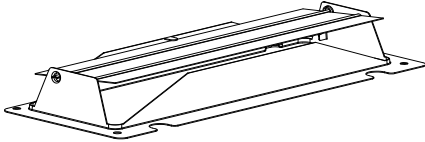

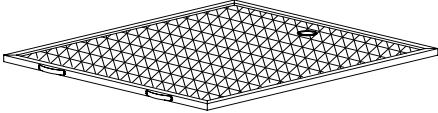

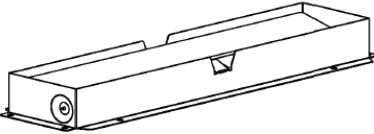
3/4" X10" HORIZONTAL MAXIMUM DUCT LENGTH	3/4" X10" VERTICAL MAXIMUM DUCT LENGTH	3/4" X14" HORIZONTAL MAXIMUM DUCT LENGTH	3/4" X14" VERTICAL MAXIMUM DUCT LENGTH	7" ROUND MAXIMUM DUCT LENGTH	ROOF OR WALL CAP WITH DAMPER	ELBOW(S)* (90° AND/OR 45°)
43 ft.	62 ft.	94 ft.	114 ft.	59 ft.	1	0
34 ft.	54 ft.	84 ft.	104 ft.	44 ft.	1	1
26 ft.	45 ft.	74 ft.	94 ft.	30 ft.	1	2


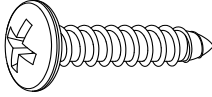
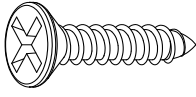
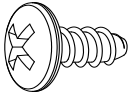
\* Standard elbows with 1" internal radius

NOTE: 6" round ducting is possible but may reduce exhaust efficiency.

## Contents

Before proceeding to the installation, check the contents of the box. If items are missing or damaged, contact the manufacturer. Make sure that the following items are included:

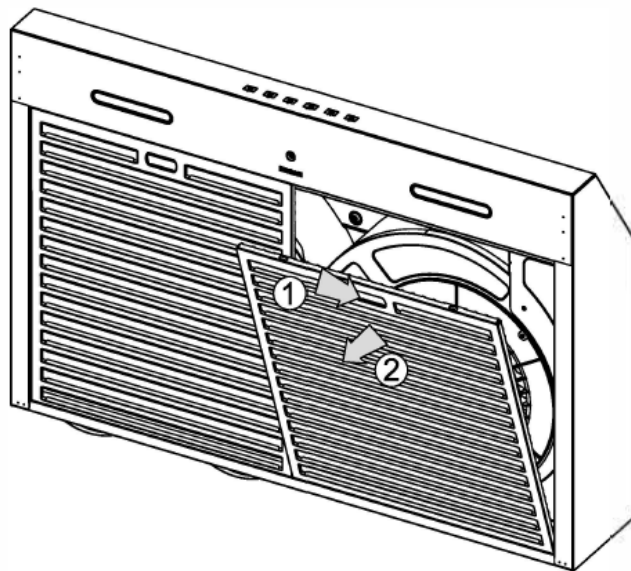
No.	ITEM	PIC	QTY
1	HOOD		1
2	7" ROUND DUCT		1
3	3/4" x10" DUCT		1
4	PART BAG		1
5	FILTER		2
6	CRT FUNCTION SWITCH CARD		1
7	3 1/4 x14" DUCT for ALT4 only		1

NO.	PARTS BAG CONTAINING	PIC	QTY
1	EZ1 bracket		2
2	ST 3/16" x 11/16" screw Large flat head self-tapping		6
3	ST 3/16" x 11/16" screw Countersunk self-tapping		4
4	ST 3/16" x 5/16" screw Large flat head self-tapping		5

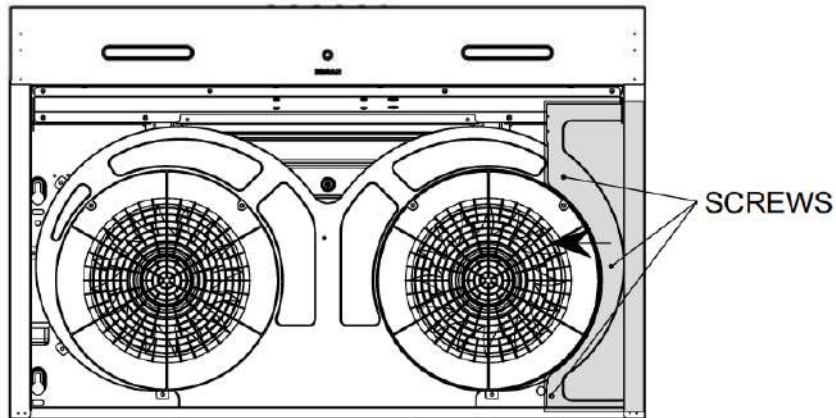
## Prepare the Hood

NOTE: Since this manual covers many range hood models, some details in the following illustrations may slightly differ from your unit.

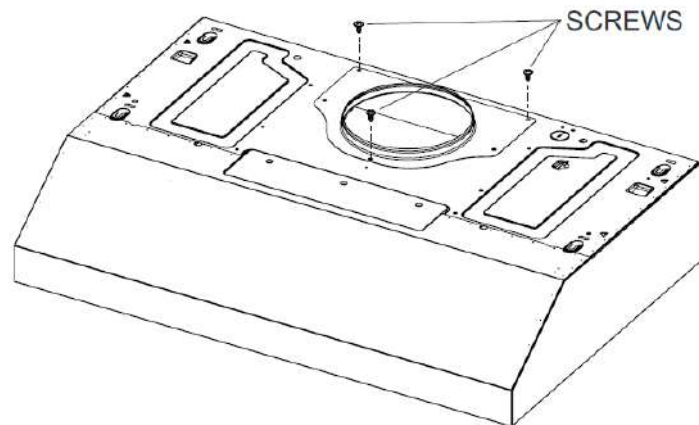
1. If present, remove all protective polyfilm from the hood and/or parts.
2. Remove the filters by pushing down ① and tilting filters out ②.



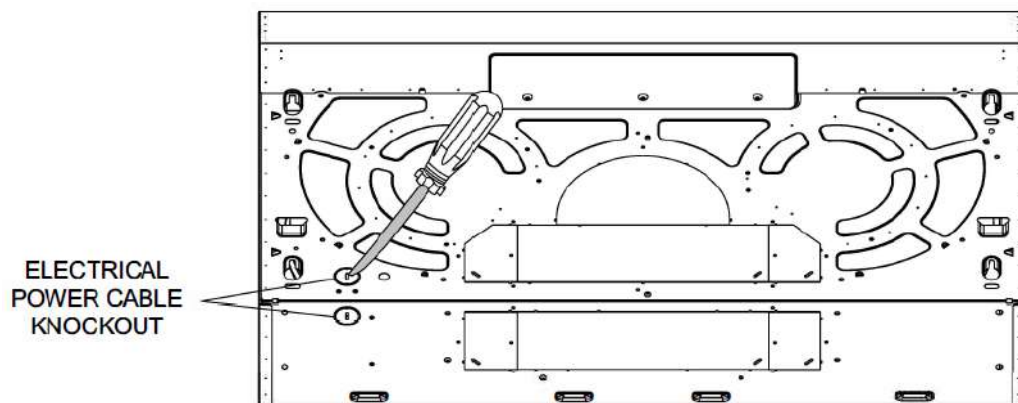
3. Remove the screws and the wiring cover.



4. Use Phillips screwdriver to remove the 3 screws on the 7" round duct. Take off the 7" round duct.

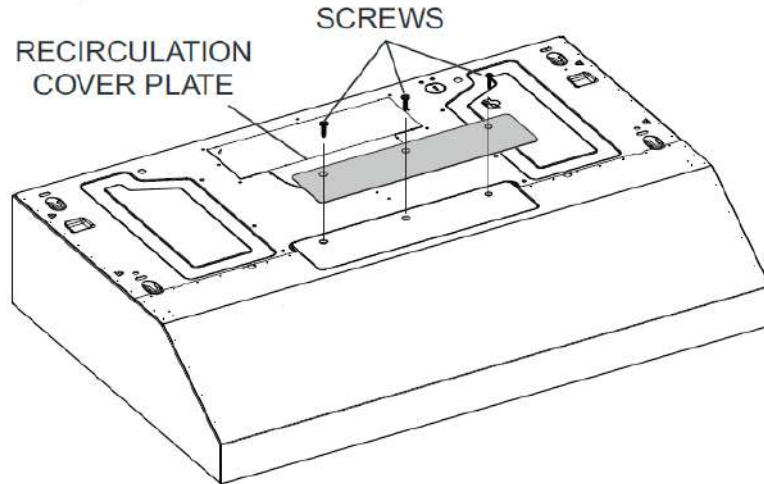


5. Remove electrical power cable knockout from top (vertical exhaust) or back (horizontal exhaust) of hood. For knockout removed from back of hood, install an appropriate strain relief, 1/2" diameter (not included).



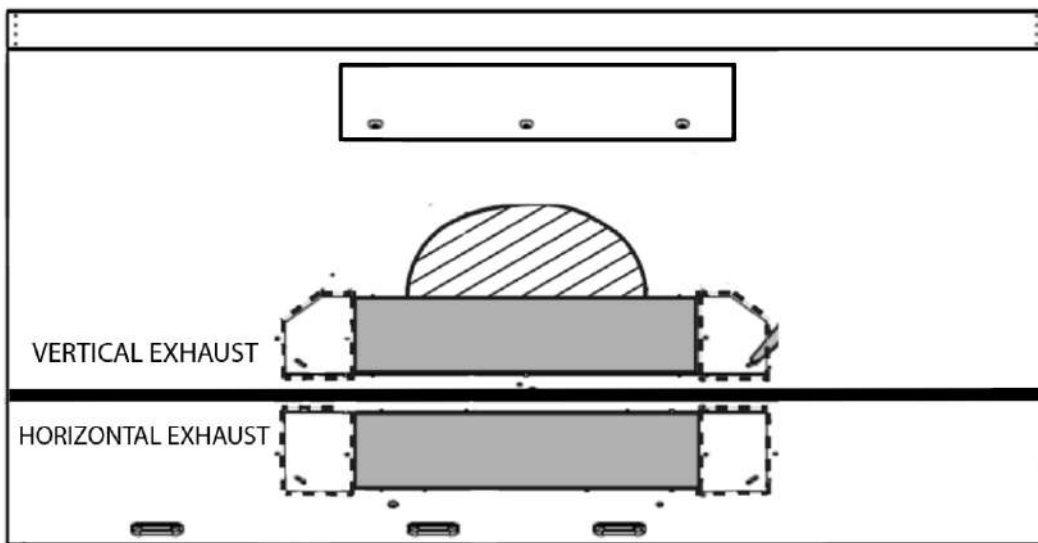
**1. FOR RECIRCULATION INSTALLATION ONLY**


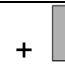






Remove 3 screws retaining the recirculation cover plate to the hood. This plate is not needed for recirculation. Discard or keep for future use. Peel off and discard the membrane covering the recirculation grille, ensuring the openings are totally cleared.



**2. FOR DUCTED INSTALLATION ONLY**

Remove the knockout plate as appropriate for your ducting method.

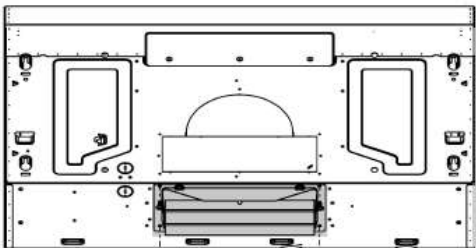
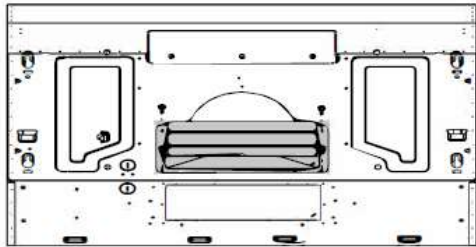


VERTICAL EXHAUST		HORIZONTAL EXHAUST	
 + 	7" ROUND KNOCKOUT PLATE		3 1/4" X 10" KNOCKOUT PLATE
	3 1/4" X 10" KNOCKOUT PLATE	 + 	3 1/4" X 14" KNOCKOUT PLATE
 + 	3 1/4" X 14" KNOCKOUT PLATE		

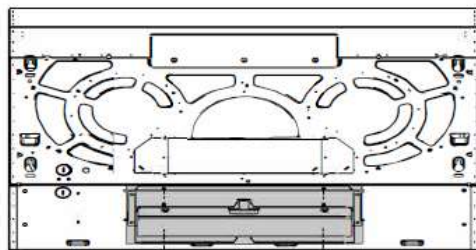
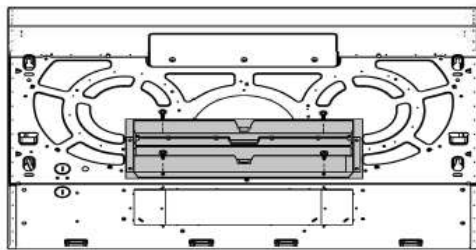
### 3. FOR DUCTED INSTALLATION ONLY

Use ST 3/16" x 5/16" screw to attach 3 1/4" x 10" or 3 1/4" x 14" damper assembly on top OR back of hood (if using 3 1/4" x 10" duct, see **Figure 2 A**) or 7" round duct plate (if using 7" round duct, see **Figure 3**) over the knockout opening. When installed, the 3 1/4" x 10" damper assembly must open as shown in **Figure 2 B** (3 1/4" x 14" only for ALT4).

**Figure 2 A**

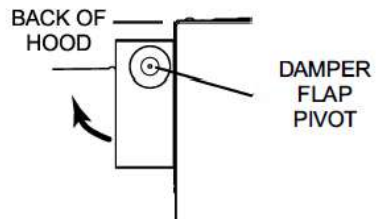
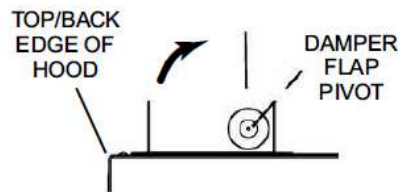
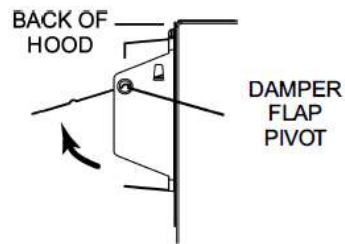
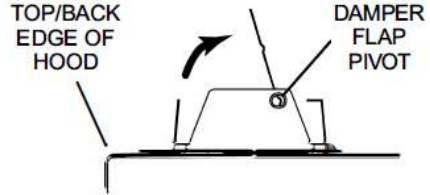


3 1/4"x10" DAMPER

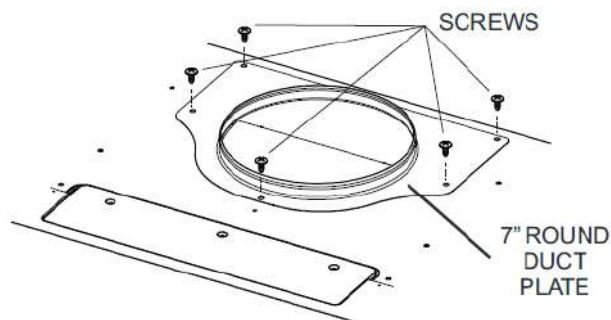


3 1/4"x14" DAMPER

**Figure 2 B**



**Figure 3**



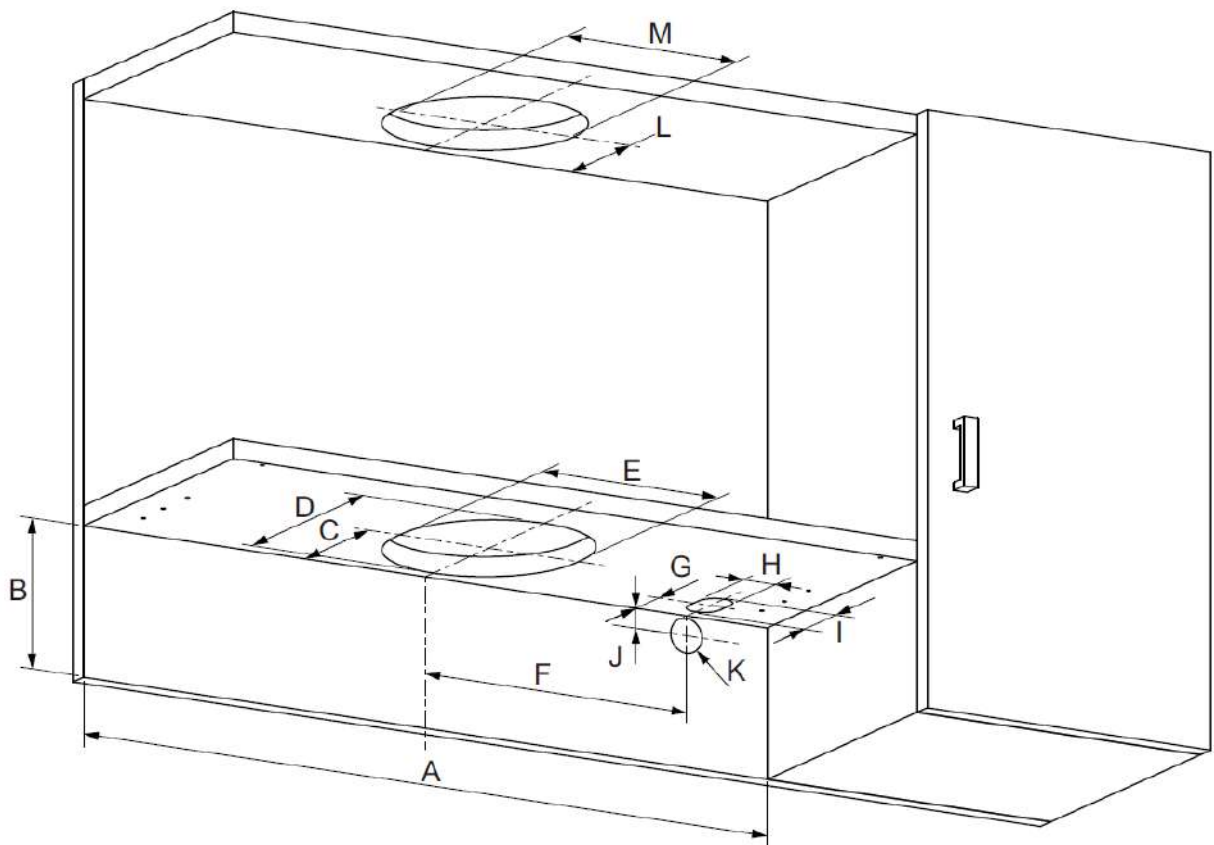
**TIP:** Insert a small length of duct over the 3¼"x 10" or 3¼"x14" damper assembly (for rectangular ducting) or 7" round (for round ducting) and seal the joint using aluminum foil duct tape to ease connection with the house ductwork.

## Prepare the Hood Location

This manual covers 2 kinds of installation: the standard (without EZ1 brackets) and the EZ1 one-person installation system (using included brackets).

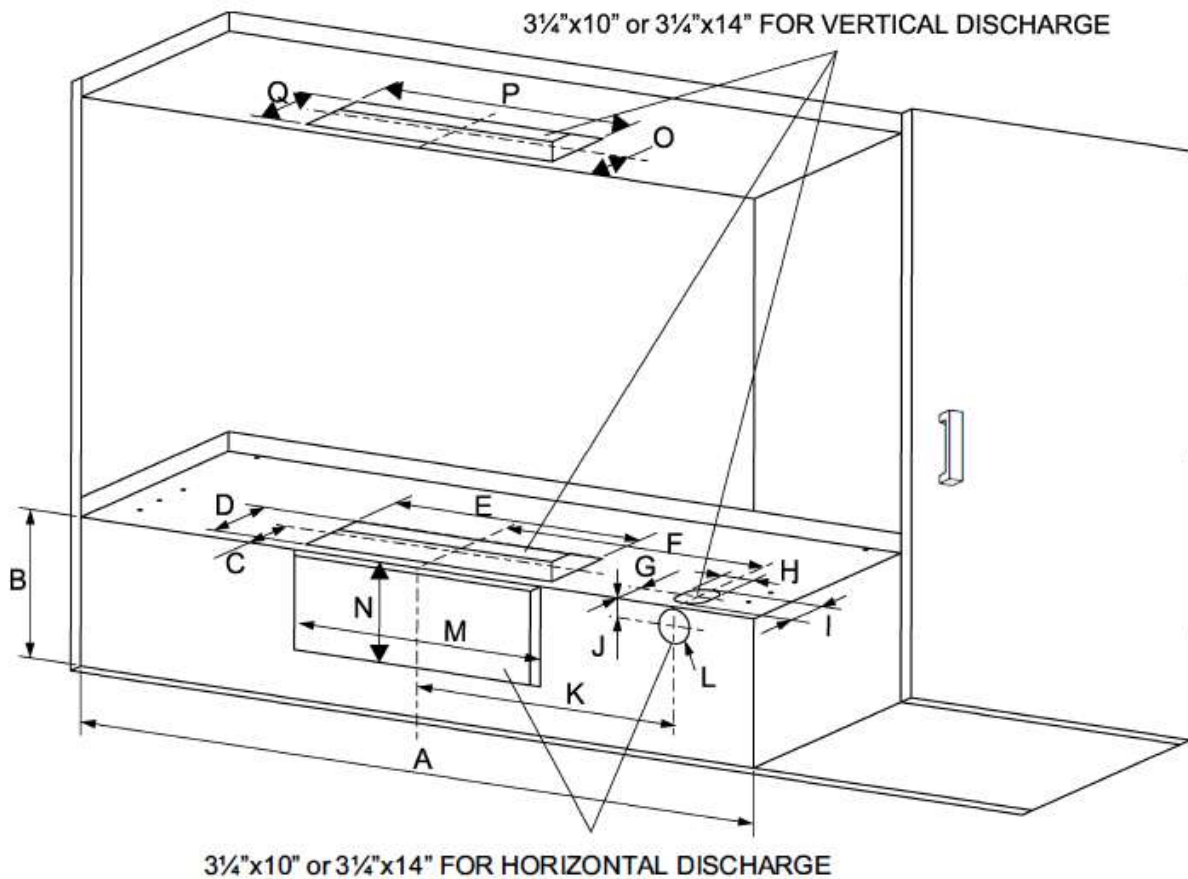
Cut the ducting holes and the hole for the wire to go through inside the cabinet, according to the ducting way you choose.

### For 7" round duct



Series	GLA3	MTR3	ALT3&4
A	30 1/8"	30 1/8"	30 1/8"
	36 1/16"		
B	6"	5 1/8"	5 1/8"
C	4 7/8"		
D	Ø 8 7/16"		
E	11 1/2" for 30"; 13 " for 36"		
F	1 3/4"		
G	Ø 1 3/8"		
H	2 3/16"		
I	13/16"		
J	Ø 1 3/8"		
K	4 7/8"		
L	Ø 8 7/16"		

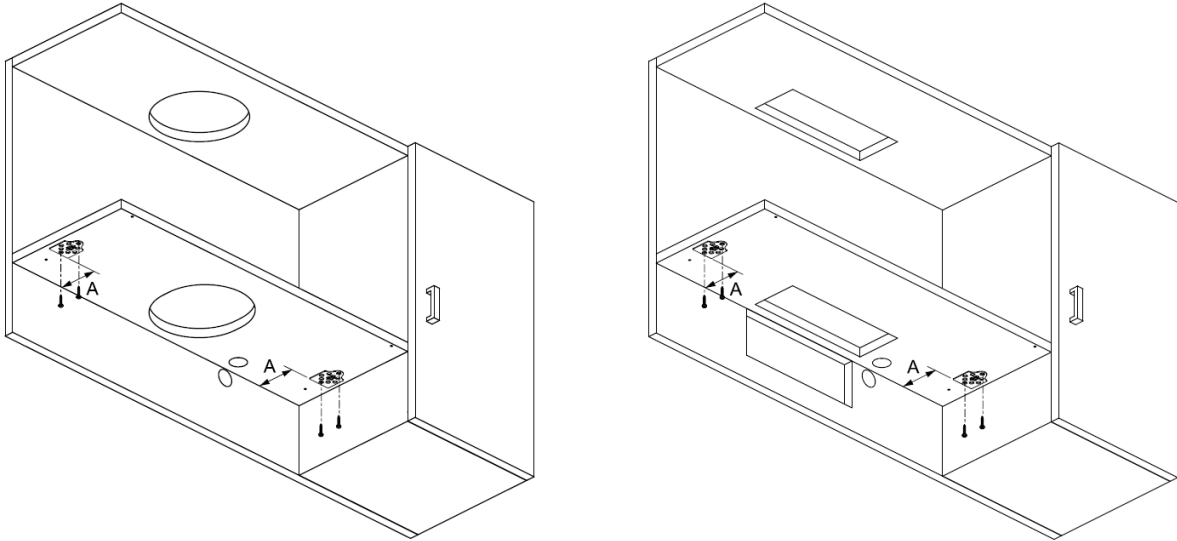
**For 3/4"x 10" or 3/4"x 14" duct**



Series	GLA3	MTR3	ALT3&4
A	30 1/8"	30 1/8"	30 1/8"
	36 1/16"		
B	6"	5 1/8"	6"
C	2 15/16"		
D	4 3/4"		
E	11" for 3 1/4 x 10" duct; 15" for 3 1/4 x 14" duct		
F	11 1/2" for 30"; 13" for 36"		
G	1 3/4"		
H	Ø 1 3/8"		
I	2 3/16"		
J	13/16"		
K	11 1/2" for 30"; 13" for 36"		
L	Ø 1 3/8"		
M	11" for 3 1/4 x 10" duct; 15" for 3 1/4 x 14" duct		
N	4"		
O	2 15/16"		
P	11" for 3 1/4 x 10" duct; 15" for 3 1/4 x 14" duct		
Q	4 3/4"		

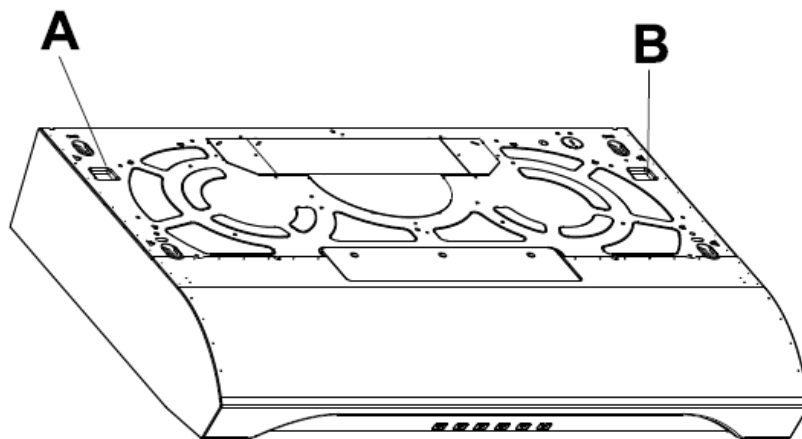
## Install the Hood (EZ1 Bracket)

1. Run house power cable between service panel and hood location.
2. Use 4 pcs ST 3/16" x 11/16" screws (countersunk self-tapping) to fix the 2 pcs EZ1 brackets onto the cabinet.

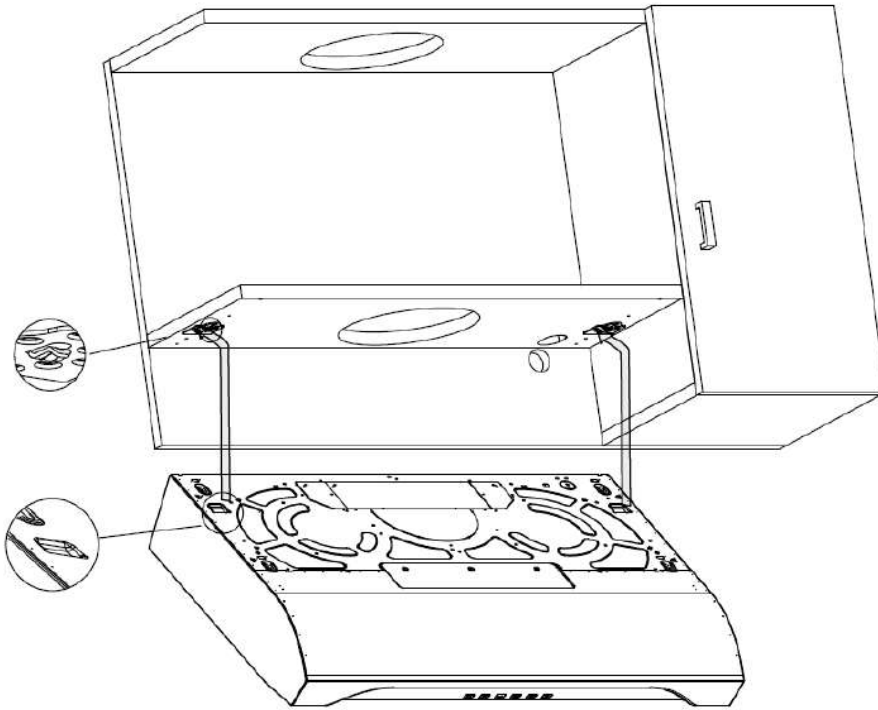


A = 3 1/2"

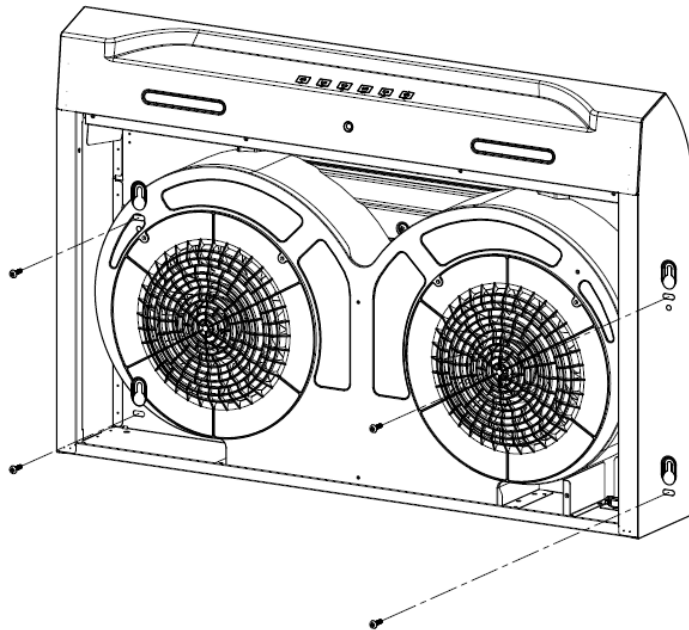
3. Lift the hood. Insert the A B positions of the hood into the EZ1 brackets.



4. **TEMPORARILY** hang the hood by the EZ1 brackets. While holding the hood, run the house power cable into the hood through the strain relief previously installed.



5. Fasten the hood by installing 4 pcs ST 3/16" x 11/16" screws (large flat head self tapping) into slots.

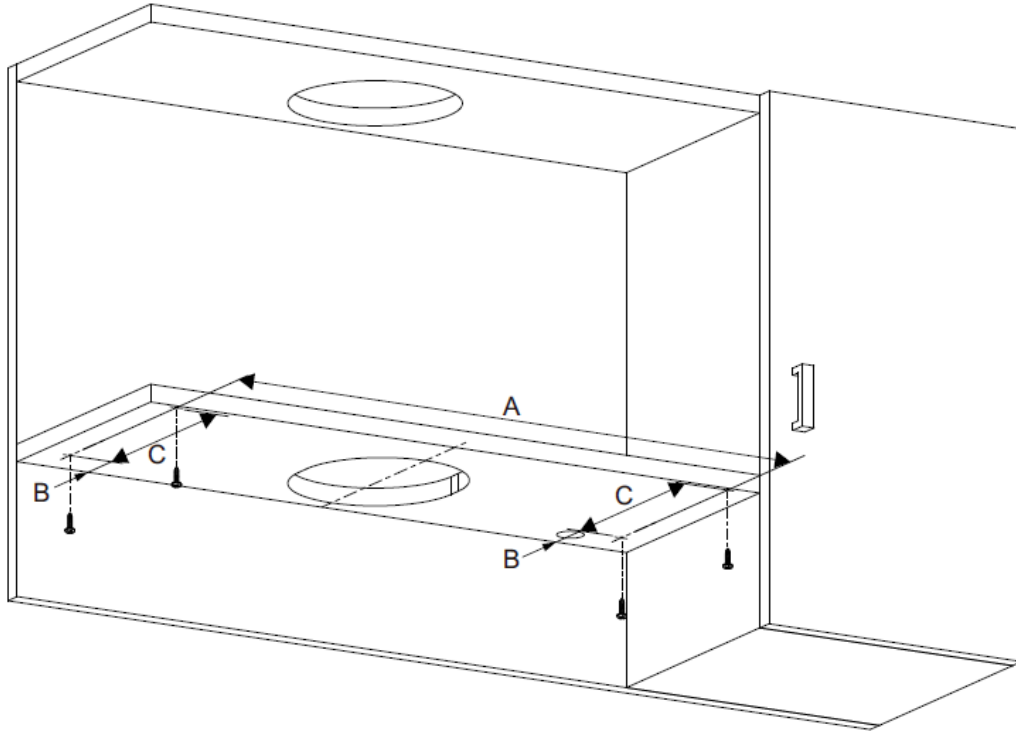


**4. FOR DUCTED INSTALLATION ONLY**

Connect the ductwork to the hood and use metal foil duct tape to make joints secure and air-tight. Make sure the damper assembly (or round duct plate) enters the ductwork and that the damper opens and closes freely.

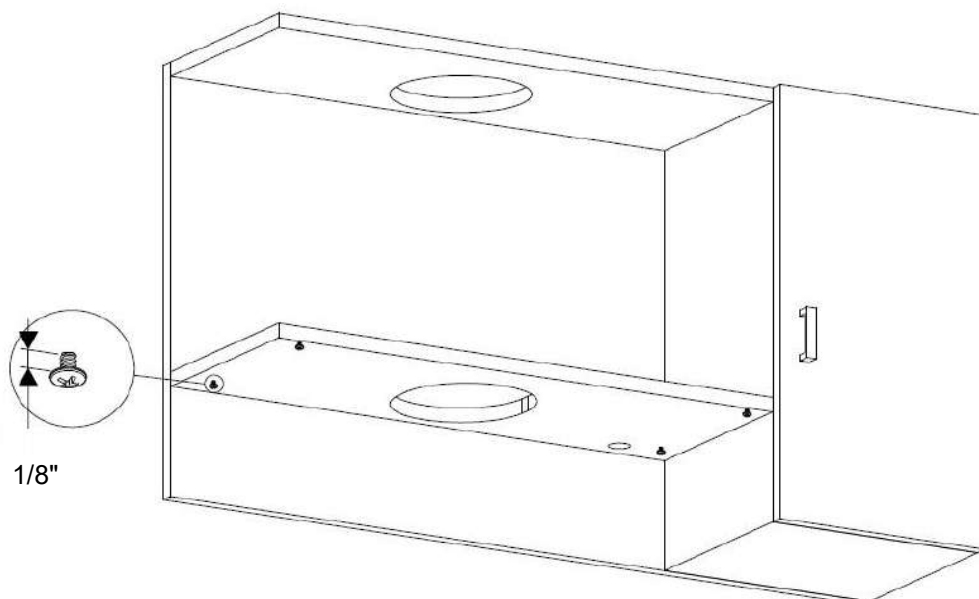
## Install the Hood (Standard Installation)

1. Run house power cable between service panel and hood location.
2. Installing 4 pcs ST 3/16" x 11/16" screws (large flat head self tapping) into the cabinet according to the positions on the below drawing.

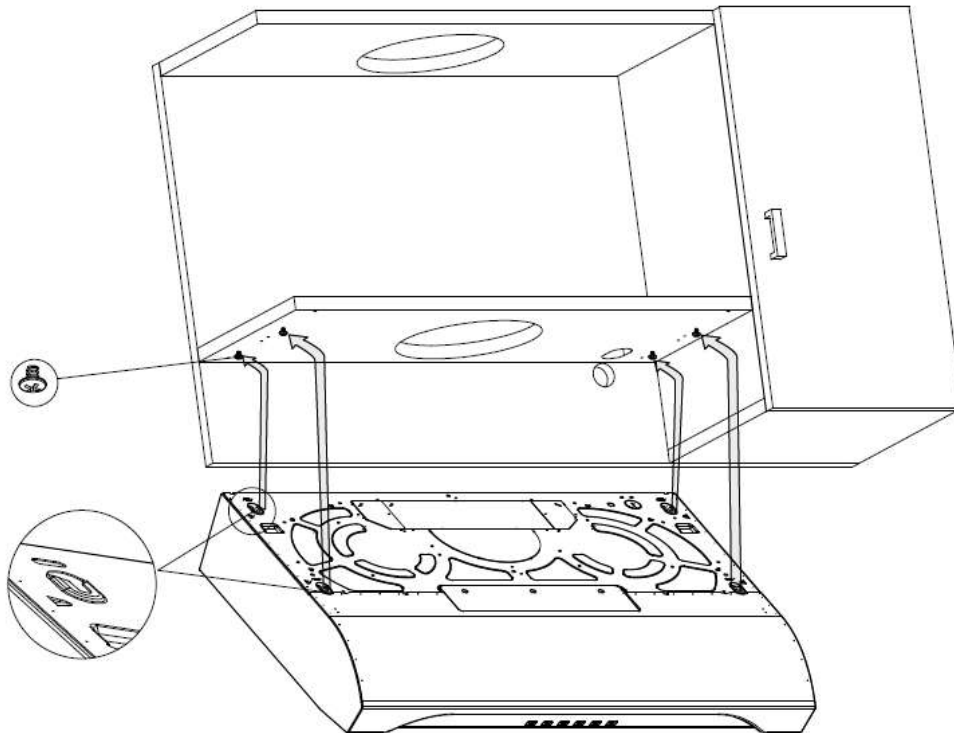


A	27 1/4" for 30" 33 3/16" for 36"
B	2 1/16"
C	9 1/16"

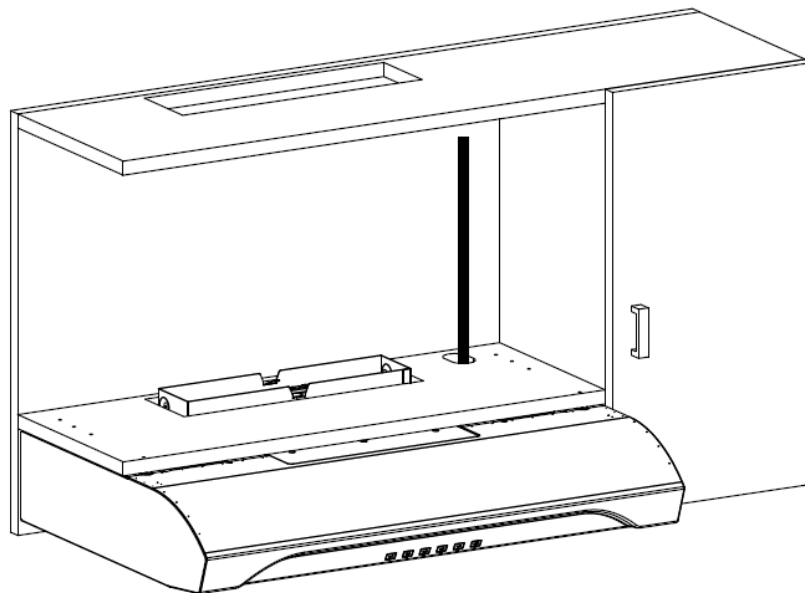
NOTICE: Leave 1/8" between the screw head and the cabinet.



3. Lift the hood. Insert the 4 holes onto the screws. Slide the hood in place.



4. While holding the hood, run the house power cable into the hood through the strain relief previously installed.



5. Then tighten the other 4 pcs ST 3/16" x 11/16" screws that are installed at step 2.

**5. FOR DUCTED INSTALLATION ONLY**

Connect the ductwork to the hood and use metal foil duct tape to make joints secure and airtight. Make sure the damper assembly (or round duct plate) enters the ductwork and that the damper opens and closes freely.

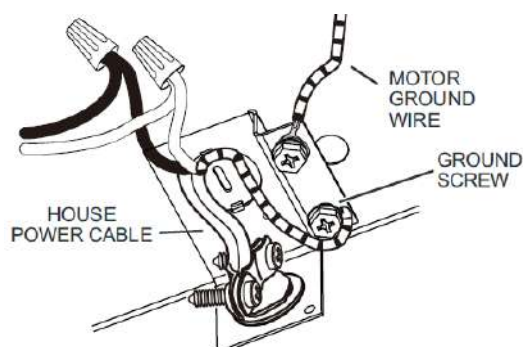
## CONNECT THE WIRING

### WARNING

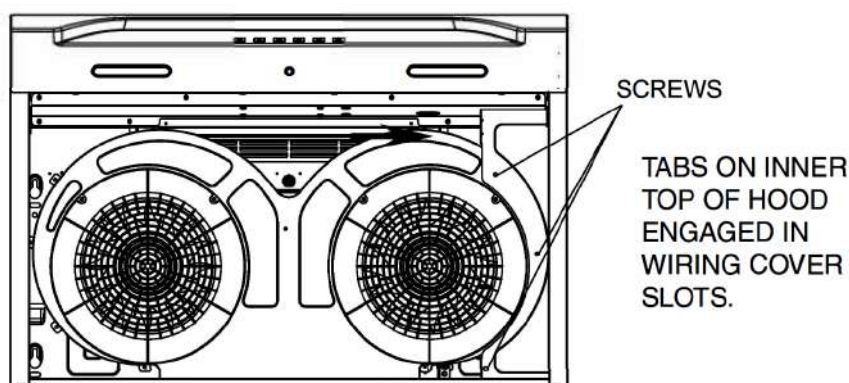


Risk of electric shock. Electrical wiring must be done by qualified personnel in accordance with all applicable codes and standards. Before connecting wires, switch power off at service panel and lock service disconnecting means to prevent power from being switched on accidentally.

1. Connect house power cable to range hood wiring: BLACK to BLACK, WHITE to WHITE and GREEN or bare wire under GREEN ground screw.



2. Reinstall wiring cover and attach it to the hood using its retaining screw.



## Install the Filters

### **FOR DUCTED INSTALLATION ONLY**

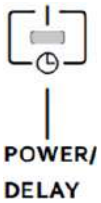
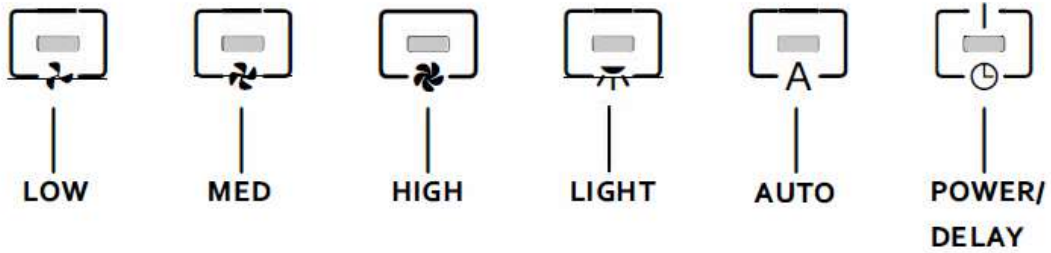
Re-install grease filters removed in step 2, under "Prepare the Hood".

### **FOR NON-DUCTED INSTALLATION ONLY**

Purchase two non-ducted filters from your local distributor or retailer (see product specification label for filter type). Attach the non-ducted filters following instructions packed with the non-ducted filters.

# OPERATION

## Infrared touch



1<sup>ST</sup> press: Blower and lights will turn on at low  
2<sup>nd</sup> press: 5-minute delay function on (button light will blink).  
Changing the blower speed will cancel the 5-minute delay function.  
3<sup>rd</sup> press: Turn off blower and lights



1<sup>ST</sup> press: LOW intensity  
2<sup>nd</sup> press: HIGH intensity  
3<sup>rd</sup> press: Turn off lights



When turned on, the range hood operation will be controlled automatically according to the temperature change detected by the sensor. Press again to turn off the auto mode.

Note: If blower speed is manually changed, auto mode will be deactivated. To turn back on, press auto button again

- Press the LOW, MEDIUM, or HIGH button to select the blower speed. Press on the current blower speed another time to stop it.

## Code Ready Technology™ function

The Code Ready Technology option allows to change the blower output from the factory setting to a maximum of 300 CFM OR 400 CFM (ALT4 only). Activating the CRT option will reduce the air flow, so that the range hood will perform within the allowable limit of Make-Up Air (MUA) codes (to meet some building code requirements). Do not change the blower CFM setting unless this change is required by code. This change will alter the performance of the product.

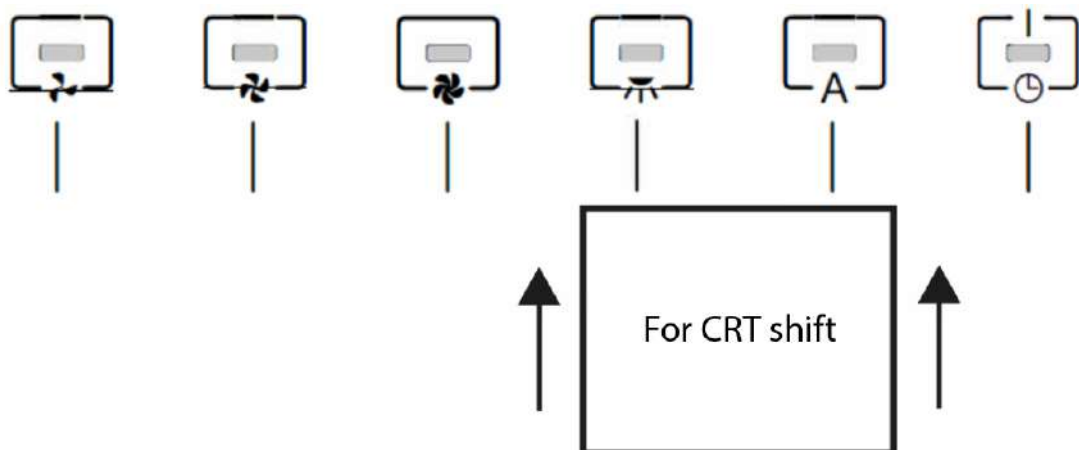
**IMPORTANT NOTE:** A power outage will not deactivate the CRT.

### A. For GLA3, MTR3, ALT3 series:

- Place the CRT card upright, facing the LIGHT and AUTO buttons or press the buttons at the same time for 3-5 seconds, both indicator lights up and the buzzer will short beep 3 times. Then the program changes to 300 CFM max air flow.

### B. For ALT4 series:

- Place the CRT card upright, facing the LIGHT and AUTO buttons or press the buttons at the same time for 3-5 seconds, both indicator lights up and the buzzer will short beep 3 times. Then the program changes to 400 CFM max air flow.
- Place the CRT card upright, facing the LIGHT and AUTO buttons or press the buttons at the same time for 3-5 seconds, both indicator lights up and the buzzer will short beep 5 times. Then the program changes to 300 CFM max air flow.



Note: The CRT card can be replaced by a piece of paper.

## **MAINTENANCE AND CLEANING**

Proper maintenance of the range hood will ensure proper performance of the unit.

### **MOTOR**

The motor is permanently lubricated and never needs oiling. If the motor bearings make excessive or unusual noise, replace the motor with the exact service motor. When replacing the motor, it is recommended to also change the fan blade.

### **GREASE FILTERS**

The grease filters should be cleaned frequently. Use a warm dishwashing detergent solution. Grease filters are dishwasher safe. Clean all-metal filters in the dishwasher using a non-phosphate detergent. Discoloration of the filters may occur if using phosphate detergents, or as a result of local water conditions - but this will not affect filter performance. This discoloration is not covered by the warranty. To minimize or prevent discoloration, hand wash filters using a mild detergent.

### **NON-DUCTED RECIRCULATION FILTERS**

The non-ducted recirculation filters should be changed every 3 to 6 months. Replace more often if your cooking style generates extra grease, such as frying and wok cooking. Refer to installation instructions included with non-ducted recirculation filters.

### **FAN BLADE**

The fan blade should be cleaned frequently. Use a clean cloth soaked with warm detergent solution.

## **STAINLESS STEEL CLEANING**

### **Do:**

- Regularly wash with clean cloth or rag soaked with warm water and mild soap or liquid dish detergent.
- Always clean in the direction of original polish lines.
- Always rinse well with clear water (2 or 3 times) after cleaning. Wipe dry completely.
- You may also use a specialized household stainless steel cleaner.

### **Don't:**

- Use any steel or stainless steel wool or any other scrapers to remove stubborn dirt.
- Use any harsh or abrasive cleansers.
- Allow dirt to accumulate.
- Let plaster dust or any other construction residues reach the hood. During construction/renovation, cover the range hood to make sure no dust sticks to the stainless steel surface.

### **Avoid when choosing a detergent:**

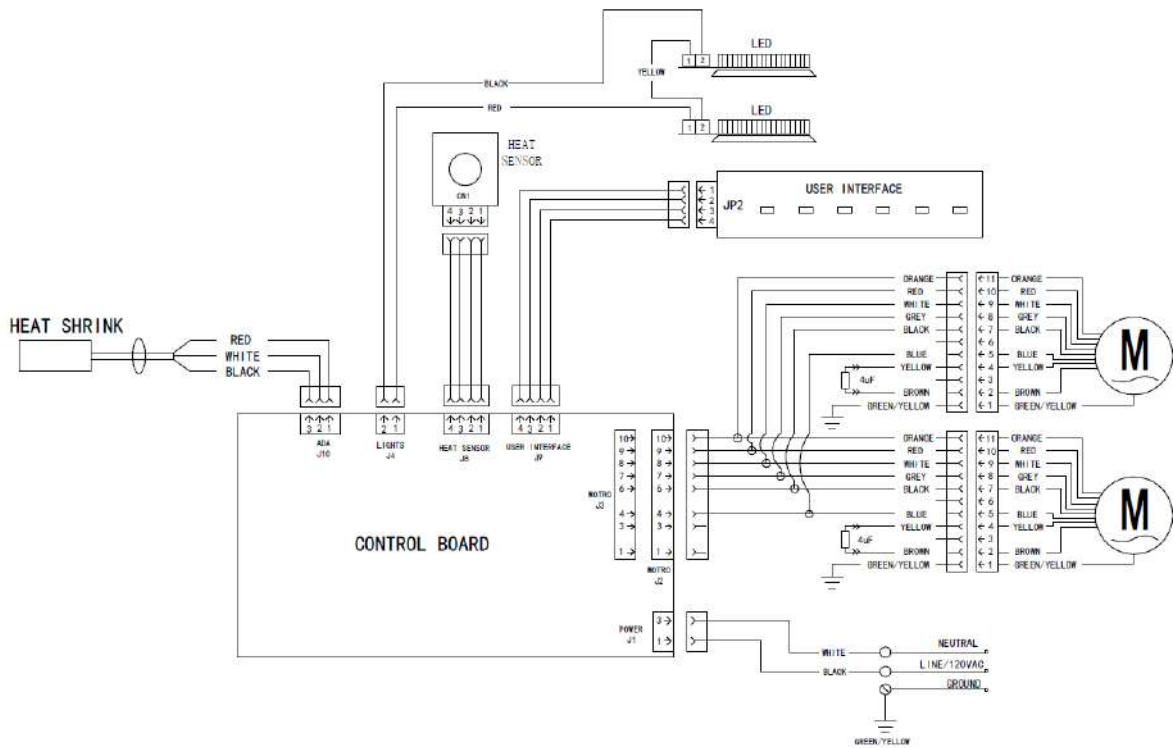
- Any cleaners that contain bleach will attack stainless steel.
- Any products containing: chloride, fluoride, iodide, bromide will deteriorate surfaces rapidly.
- Any combustible products used for cleaning such as acetone, alcohol, ether, benzol, etc., are highly explosive and should never be used close to a range.

### **PAINTED FINISH CLEANING:**

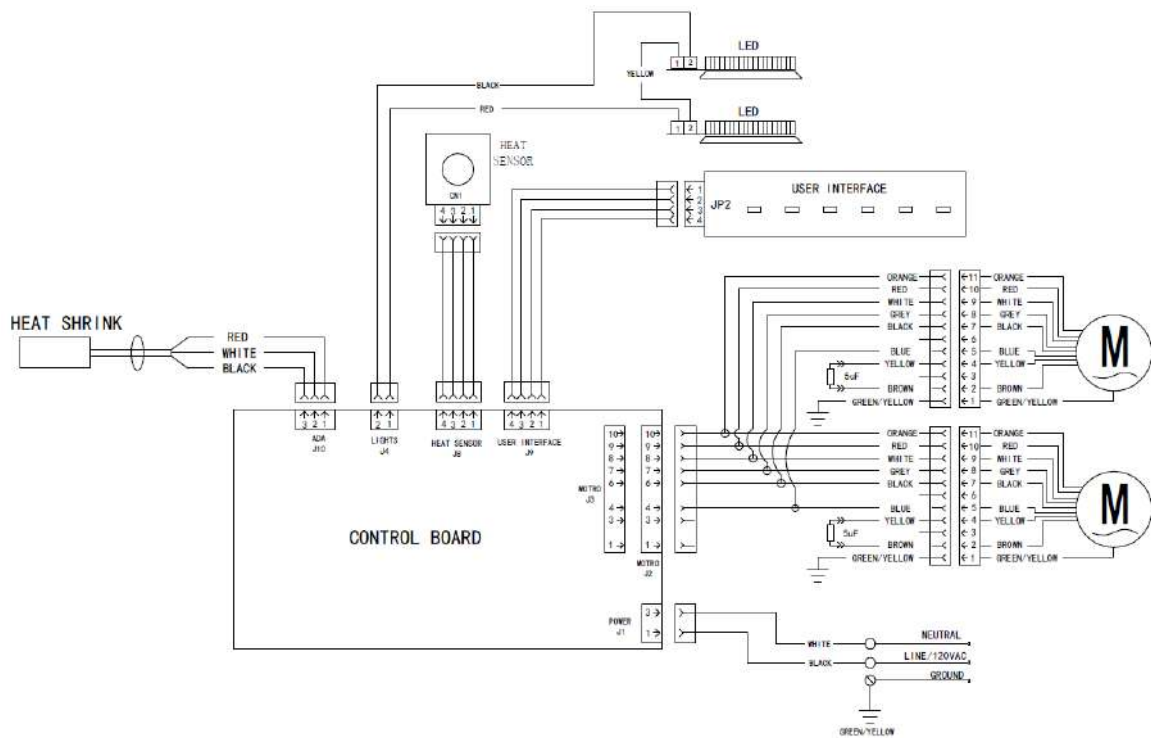
Clean with warm water and mild detergent only. If discoloration occurs, use a finish polish such as automotive polish. (DO NOT use rough abrasive cleaner or porcelain cleaner.)

# WIRING DIAGRAM

GLA3, MTR3 & ALT3 series:

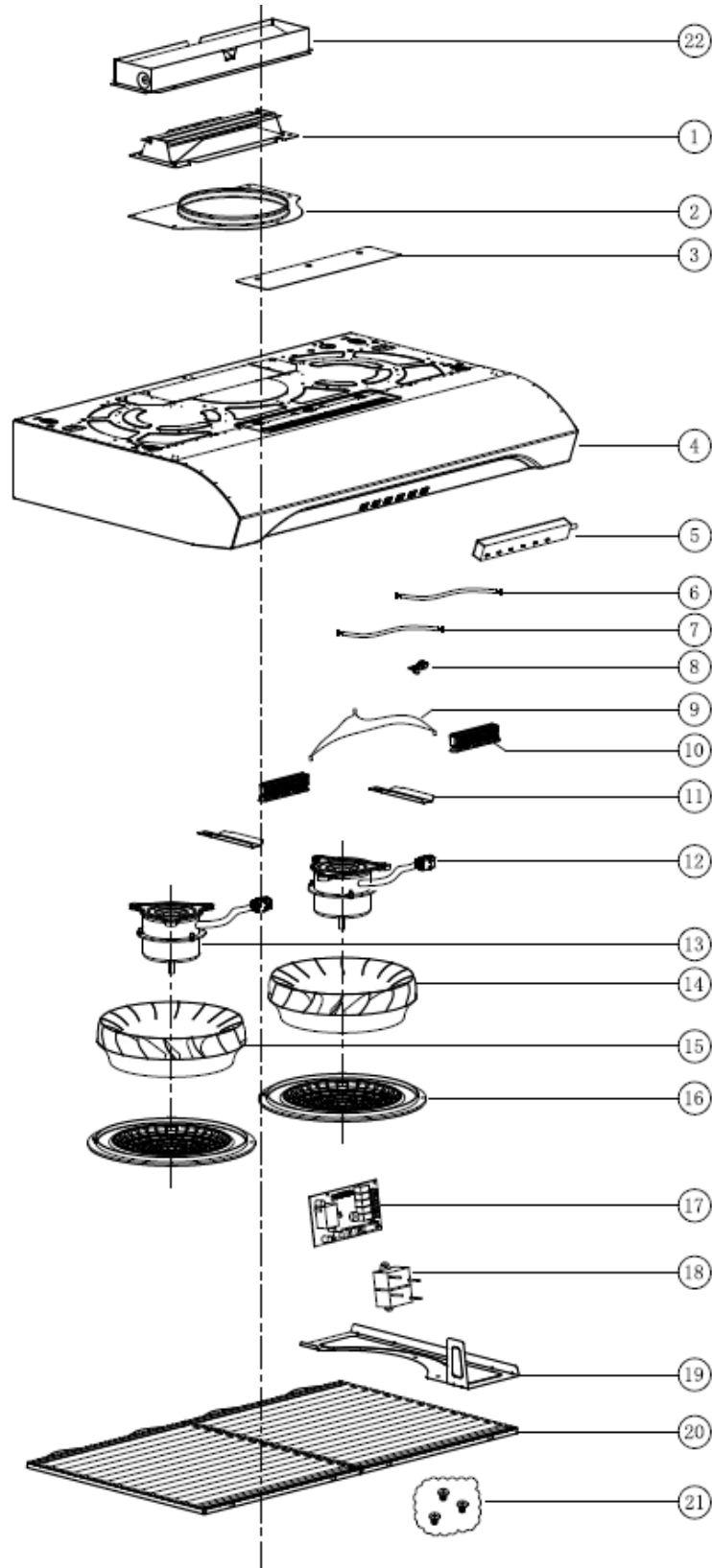


ALT4 series:



# SERVICE PART

GLA3, MTR3, ALT3 & ALT4 series:



No.		Part Code	Description	Qty
Serie3	Serie4			
1	1	S97020534	3-1/4" X 10" ADAPTOR/DAMPER (INCL. SCREWS)	1
2	2	SR680508	7" ROUND DUCT ADAPTOR (INCL. SCREWS)	1
3	3	S1115687	RECIRCULATION COVER PLATE, WHITE (INCL. SCREWS)	1
3	3	S1115689	RECIRCULATION COVER PLATE, STAINLESS STEEL (INCL. SCREWS)	1
5	5	S1115693	INFRARED SENSING CONTROL FOR GLA3/MTR3/ALT3/ALT4	1
7&9&10	7&9&10	S1116679	HARNESS KIT FOR GLA3/MTR3/ALT3/ALT4	1 set
8	8	S1116689	HEAT SENSOR FOR GLA3/MTR3/ALT3/ALT4	1
10	10	S97020444	LED MODULE (PAIR)	1
/	12	S1116684	CCW MOTOR FOR ALT4 (INCL. SCREWS)	1
12	/	S1115696	CCW MOTOR FOR GLA3/MTR3/ALT3 (INCL. SCREWS)	1
/	13	S1116683	CW WHEEL FOR TWIN MOTORS (INCL. SCREWS)	1
13	/	S1115695	CW MOTOR FOR GLA3/MTR3/ALT3 (INCL. SCREWS)	1
14	14	S1116682	CCW WHEEL FOR TWIN MOTORS (INCL. SCREWS)	1
15	15	S1116681	CW WHEEL FOR TWIN MOTORS (INCL. SCREWS)	1
16	16	S1115694	BLOWER GUARD DUAL BLOWER (INCL. SCREWS)	2
/	17	S1116686	MAIN PCB INFRARED CONTROL (INCL. HARDWARE) FOR ALT4	1
17	/	S1115691	MAIN PCB INFRARED CONTROL (INCL. HARDWARE) FOR GLA3/MTR3/ALT3	1
/	18	S1116680	CAPACITOR 5uF DUAL BLOWER (INCL. HARDWARE) FOR ALT4	
18	/	S1115692	CAPACITOR 4uF DUAL BLOWER (INCL. HARDWARE) FOR GLA3/MTR3/ALT3	1
19	19	S1115697	WIRING COVER DUAL BLOWER FOR 30" HOOD (INCL. SCREW)	1
	/	S1116685	WIRING COVER DUAL BLOWER FOR 36" HOOD (INCL. SCREW)	1
20	20	S97020204-002	GREASE FILTER - HYBRID 30" HOOD (SET OF 2)	1 set
	/	S97020204-003	GREASE FILTER - HYBRID 36" HOOD (SET OF 2)	1 set
21	21	S1115686	PARTS BAG INCLUDING EZ1 BRACKETS	1 set
/	22	S1116687	3-1/4" X 14" ADAPTOR/DAMPER (INCL. SCREWS)	1

## Limited Warranty

**Warranty Period and Exclusions:** Broan-NuTone LLC and Venmar Ventilation ULC (either being the "Company") warrants to the original consumer purchaser of its product ("you") that the product (the "Product") will be free from material defects in the Product or its workmanship for a period of one (1) year from the date of original purchase (or such longer period as may be required by applicable law). For Range Hood Product that includes built-in LED modules, the Company warrants the LED modules and driver to be free from material defects for a period of three (3) years from the date of purchase. The limited warranty period for any replacement parts provided by the Company and for any Products repaired or replaced under this limited

warranty shall be the remainder of the original warranty period (or such longer period as may be required by applicable law).

This warranty does not cover fluorescent lamp starters, tubes, halogen, incandescent and LED bulbs, fuses, filters, ducts, roof caps, wall caps and other accessories for ducting that may be purchased separately and installed with the Product. This warranty also does not cover (a) normal maintenance and service, (b) normal wear and tear, (c) any Products or parts which have been subject to misuse, abuse, abnormal usage, negligence, accident, improper or insufficient maintenance, storage or repair (other than repair by the Company), (d) damage caused by faulty installation, or installation or use contrary to recommendations or instructions, (e) any Product that has been moved from its original point of installation, (f) damage caused by environmental or natural elements, (g) damage in transit, (h) natural wear of finish, (i) Products in commercial or nonresidential use, or (j) damage caused by fire, flood or other act of God or (k) Products with altered, defaced or removed serial numbers. This warranty covers only Products sold to original consumers in the United States and Canada by the Company or its U.S. and Canadian distributors authorized by the Company.

This warranty supersedes all prior warranties and, subject to applicable law, is not transferable from the original consumer purchaser.

**No Other Warranties:** This Limited Warranty contains the Company's sole obligation and your sole remedy for defective products. The foregoing warranties are exclusive and in lieu of any other warranties and conditions, express or implied. **THE COMPANY DISCLAIMS AND EXCLUDES ALL OTHER EXPRESS WARRANTIES AND CONDITIONS AND DISCLAIMS AND EXCLUDES ALL WARRANTIES AND CONDITIONS IMPLIED BY LAW, INCLUDING WITHOUT LIMITATION THOSE OF MERCHANTABILITY AND FITNESS FOR A PARTICULAR PURPOSE.** To the extent that applicable law prohibits the exclusion of implied warranties or conditions, the duration of any applicable implied warranty or condition is limited to the period specified for the express warranty above. Some jurisdictions do not allow limitations on how long an implied warranty lasts, so the above limitation may not apply to you. Any oral or written description of the Product is for the sole purpose of identifying it and shall not be construed as an express warranty.

Whenever possible, each provision of this Limited Warranty shall be interpreted in such manner as to be effective and valid under applicable law, but if any provision is held to be prohibited or invalid, such provision shall be ineffective only to the extent of such prohibition or invalidity, without invalidating the remainder of such provision or the other remaining provisions of the Limited Warranty.

**Remedy:** During the applicable limited warranty period, the Company will, at its option, provide replacement parts for, or repair or replace, without charge, any Product or part thereof, to the extent the Company finds it to be covered by and in breach of this limited warranty under normal use and service. The Company will ship the repaired or replaced Product or replacement parts to you at no charge. You are responsible for all costs for removal, reinstallation and shipping, insurance or other freight charges incurred in the shipment of the Product or part to the Company. If you must send the Product or part to the Company, as instructed by the Company, you must properly pack the Product or part—the Company is not responsible for damage in transit. The Company reserves the right to utilize reconditioned, refurbished, repaired or remanufactured Products or parts in the warranty repair or replacement process. Such Products and parts will be comparable in function and performance to an original Product or part and warranted for the remainder of the original warranty period (or such longer period as may be required by applicable law).

Company reserves the right, in its sole discretion, to refund the money actually paid by you for the Product in lieu of repair or replacement. If the Product or component is no longer available, replacement may be made with a similar product of equal or greater value, at Company's sole discretion. This is your sole and exclusive remedy for breach of this limited warranty.

**Exclusion of Damages:** **THE COMPANY'S OBLIGATION TO PROVIDE REPLACEMENT PARTS, OR REPAIR, REPLACE OR REFUND, AT THE COMPANY'S OPTION, SHALL BE YOUR SOLE AND EXCLUSIVE REMEDY UNDER THIS LIMITED WARRANTY AND THE COMPANY'S SOLE AND EXCLUSIVE OBLIGATION. THE COMPANY SHALL NOT BE LIABLE FOR INCIDENTAL, INDIRECT, CONSEQUENTIAL OR SPECIAL DAMAGES ARISING OUT OF OR IN CONNECTION WITH THE PRODUCT, ITS USE OR PERFORMANCE.** Incidental damages include but are not limited to such damages as loss of time and loss of use. Consequential damages include but are not limited to the cost of repairing or replacing other property which was damaged if the Product does not work properly.

**THE COMPANY SHALL NOT BE LIABLE TO YOU, OR TO ANYONE CLAIMING UNDER YOU, FOR ANY OTHER OBLIGATIONS OR LIABILITIES, INCLUDING, BUT NOT LIMITED TO, OBLIGATIONS OR LIABILITIES ARISING OUT OF BREACH OF CONTRACT OR WARRANTY, NEGLIGENCE OR OTHER TORT OR ANY THEORY OF STRICT LIABILITY, WITH RESPECT TO THE PRODUCT OR THE COMPANY'S ACTS OR OMISSIONS OR OTHERWISE.**

Some jurisdictions do not allow the exclusion or limitation of incidental or consequential damages, so the above limitation or exclusion may not apply to you. This warranty gives you specific legal rights, and you may also have other rights, which vary from jurisdiction to jurisdiction. The disclaimers, exclusions, and limitations of liability under this warranty will not apply to the extent prohibited by applicable law.

This warranty covers only replacement or repair of defective Products or parts thereof at the Company's main facility and does not include the cost of field service travel and living expenses.

Any assistance the Company provides to or procures for you outside the terms, limitations or exclusions of this limited warranty will not constitute a waiver of such terms, limitations or exclusions, nor will such assistance extend or revive the warranty.

The Company will not reimburse you for any expenses incurred by you in repairing or replacing any defective Product, except for those incurred with the Company's prior written permission.

**How to Obtain Warranty Service:** To qualify for warranty service, you must (a) notify the Company at the address or telephone number stated below within seven (7) days of discovering the covered defect, (b) give the model number and part identification and (c) describe the nature of any defect in the Product or part. At the time of requesting warranty service, you must present evidence of the original purchase date. If you cannot provide a copy of the original written limited warranty, then the terms of the Company's most current written limited warranty for your particular product will control. The most current limited written warranties for the Company's products can be found at [www.broan-nutone.com](http://www.broan-nutone.com) and [www.broan-nutone.ca](http://www.broan-nutone.ca).

Broan-NuTone LLC 926 West State Street, Hartford, Wisconsin, USA 53027 Broan-NuTone .com 800-558-1711

Venmar Ventilation ULC, 550 Lemire Blvd., Drummondville, Québec, Canada J2C 7W9 Broan-NuTone .ca 800-567-3855

# BROAN®

## MANUEL D'INSTALLATION, D'UTILISATION ET D'ENTRETIEN



**Série GLA3**



**Série MTR3**



**Série ALT3  
et ALT4**

Numéro de série : \_\_\_\_\_  
Pièce n° 1116676B

# Table des matières

Page 31-34.....	Sécurité
Page 35-49.....	Installation
Page 50-51.....	Fonctionnement
Page 52-53.....	Entretien et nettoyage
Page 54.....	Schéma de câblage
Page 55-56.....	Pièces de rechange
Page 57.....	Garantie

# SÉCURITÉ

Ce manuel explique comment installer et utiliser correctement votre hotte de cuisine, veuillez le lire attentivement même si vous connaissez bien le produit. Ce manuel doit être conservé en lieu sûr pour référence ultérieure.

## À ne jamais faire :

- Ne pas essayer d'utiliser la hotte sans les filtres à graisse ou si les filtres sont extrêmement gras.
- Ne pas installer la hotte au-dessus d'une cuisinière avec un grill surélevé.
- Ne pas laisser une poêle à frire sans surveillance pendant son utilisation car les graisses ou les huiles surchauffées peuvent s'enflammer.
- Ne jamais laisser des flammes nues sous la hotte.



- Si la hotte est endommagée, ne pas essayer de l'utiliser.
- Ne rien flamber sous la hotte.
- ATTENTION : Les pièces accessibles peuvent devenir chaudes lorsqu'elles sont utilisées avec des appareils de cuisson.
- L'air ne doit pas être évacué dans un conduit utilisé pour l'évacuation des fumées d'équipements alimentés au gaz ou autre combustible. Les hottes de cuisine et autres extracteurs de fumées de cuisson peuvent nuire à la sécurité de fonctionnement des équipements alimentés au gaz ou autre combustible (y compris ceux situés dans d'autres pièces). Ces gaz peuvent entraîner une intoxication au monoxyde de carbone. Après l'installation d'une hotte de cuisine ou autre extracteur de fumées de cuisson, le fonctionnement des équipements alimentés au gaz avec conduit d'évacuation doit être testé par une personne compétente pour

s'assurer qu'il n'y a pas de refoulement des gaz de combustion.



## À toujours faire :

- Important ! Toujours couper l'alimentation électrique réseau pendant l'installation et l'entretien, par exemple pour changer une ampoule.
- La hotte doit être installée conformément aux instructions d'installation et toutes les mesures doivent être respectées.
- Les travaux d'installation doivent être effectués par une personne compétente ou par un électricien qualifié.
- Éliminer les matériaux d'emballage avec soin. Ceux-ci peuvent présenter un risque pour les enfants.
- S'assurer que le conduit ne présente pas de coudes de plus de 90 degrés ce qui réduit l'efficacité de la hotte.
- Avertissement : La pose des vis ou du dispositif de fixation autrement que selon ces instructions peut entraîner un danger électrique.
- Avertissement : Avant tout accès aux bornes, les circuits d'alimentation doivent être déconnectés.
- Si la tension nominale de l'ampoule est inférieure à la tension nominale de l'appareil, elle doit être indiquée également sur la douille ou à proximité de celle-ci.

- Toujours respecter les exigences du fabricant de l'équipement de cuisson relatives aux besoins de ventilation.
- La hotte de cuisine est réservée à un usage domestique.



- Si le câble d'alimentation est endommagé, il doit être remplacé par le fabricant, son représentant ou une personne de qualification similaire pour éviter tout danger.
- Attention : L'appareil et ses pièces accessibles peuvent devenir chaudes en cours d'utilisation. Veillez à ne pas toucher les éléments chauffants.
- Il existe un risque d'incendie si le nettoyage n'est pas effectué conformément aux instructions.
- La réglementation concernant l'évacuation de l'air doit être respectée.

- Nettoyez périodiquement votre appareil en suivant la méthode indiquée dans le chapitre ENTRETIEN.
- Pour des raisons de sécurité, veuillez utiliser uniquement des vis de fixation ou de montage de même dimension que celles recommandées dans ce manuel d'instructions.
- Pour plus de détails sur la méthode et la fréquence de nettoyage, veuillez consulter la section Entretien et nettoyage du manuel d'instructions.
- Pour les informations relatives à la fixation de l'appareil sur son support, veuillez consulter la section Fonctionnement, les procédures d'installation de ce manuel.
- AVERTISSEMENT : Risque d'incendie, ne rangez pas d'objets sur les surfaces de cuisson.
- Ne pas utiliser de nettoyeur à vapeur.
- N'essayez JAMAIS d'éteindre un incendie avec de l'eau. Arrêtez l'appareil puis recouvrez la flamme, par exemple à l'aide d'un couvercle ou d'une couverture antifeu.

# LISEZ CES DIRECTIVES ET CONSERVEZ-LES

## CONSIGNES DE SÉCURITÉ IMPORTANTES

### **AVERTISSEMENT**

1. Débranchez la hotte de l'alimentation électrique avant de nettoyer ou de réparer l'appareil.
2. **AFIN DE RÉDUIRE LES RISQUES DE FEU DE CUISINIÈRE :**
  - A. Ne jamais laisser les appareils de cuisson sans surveillance lorsqu'ils sont réglés à feu vif. Les débordements engendrent de la fumée et des déversements graisseux pouvant s'enflammer. Chauffez l'huile lentement, à feu doux ou moyen.
  - B. Mettez toujours la hotte en marche lorsque vous cuisinez à feu vif ou que vous cuisinez des mets flambés (par ex., crêpes Suzette, cerises jubilé, bœuf au poivre flambé).
  - C. Nettoyez régulièrement l'hélice du ventilateur. Ne laissez pas la graisse s'accumuler sur le ventilateur, le filtre ou les conduits d'évacuation.
  - D. Utilisez le bon format de casserole. Servez-vous toujours de casseroles et d'ustensiles appropriés à la dimension de la surface chauffante.
3. **AFIN DE RÉDUIRE TOUT RISQUE DE BLESSURES LORS D'UN FEU DE CUISINIÈRE, SUIVEZ CES DIRECTIVES :**
  - A. **ÉTOUFFEZ LES FLAMMES** avec un couvercle hermétique, une tôle à biscuits ou un plateau métallique et ensuite, éteignez le brûleur. **PRENEZ SOIN D'ÉVITER LES BRÛLURES. SI LES FLAMMES NE S'ÉTEIGNENT PAS IMMÉDIATEMENT, ÉVACUEZ LES LIEUX ET APPELEZ LES POMPIERS.**
  - B. **NE PRENEZ JAMAIS UNE CASSEROLE EN FLAMMES DANS VOS MAINS.** Vous pourriez vous brûler.
  - C. **N'UTILISEZ PAS D'EAU**, incluant un linge à vaisselle ou une serviette mouillée, cela pourrait occasionner une violente explosion de vapeur.
  - D. **N'utilisez un extincteur QUE DANS LE CAS OÙ :**
    - 1) Vous possédez un extincteur de classe ABC et vous connaissez le fonctionnement.
    - 2) Le feu est petit et limité à l'endroit où il a débuté.
    - 3) Les pompiers ont été avisés.
    - 4) Vous pouvez combattre le feu ayant accès à une sortie de secours.
4. Pour réduire les risques d'incendie ou de choc électrique, n'utilisez pas cet appareil avec une commande de vitesse à semi-conducteur additionnelle.

### **5. Hotte branchée en permanence**

- AFIN DE RÉDUIRE TOUT RISQUE DE BLESSURES, SUIVEZ CES DIRECTIVES :**
- A. N'utilisez cet appareil que de la manière prévue par le fabricant. Si vous avez des questions, communiquez avec le fabricant.
  - B. Avant de procéder à l'entretien ou au nettoyage de l'appareil, coupez l'alimentation du panneau électrique et verrouillez l'interrupteur principal afin d'empêcher que le courant ne soit rétabli accidentellement. S'il est impossible de verrouiller l'interrupteur principal, apposez un message d'avertissement bien visible, par exemple une étiquette, sur le panneau électrique.

## **6. Hotte branchée avec un câble électrique**

**AVERTISSEMENT : POUR ASSURER LA PROTECTION CONTRE LES CHOCS ÉLECTRIQUES, NE BRANCHEZ L'APPAREIL QUE SUR UNE PRISE DE COURANT CORRECTEMENT MISE À LA TERRE.**

1. Cet appareil n'est pas destiné à être utilisé par des personnes (notamment des enfants) qui présentent des capacités physiques, sensorielles ou mentales réduites, ou qui manquent d'expérience et de connaissances, excepté si elles ont obtenu une assistance ou des instructions concernant l'utilisation de l'appareil de la part d'une personne responsable de leur sécurité.
2. Les enfants doivent être surveillés afin de s'assurer qu'ils ne jouent pas avec l'appareil.
3. Si le RACCORDEMENT ÉLECTRIQUE est endommagé, il doit être remplacé par du personnel qualifié conformément aux codes et standards en vigueur.
4. L'air ne doit pas être évacué dans un conduit utilisé pour l'évacuation des fumées d'équipements alimentés au gaz ou autre combustible.
5. Pour une meilleure évacuation des odeurs de cuisson, le bas de votre hotte devrait être situé À UN MINIMUM de 18 po pour une cuisinière électrique ou 26 po pour une cuisinière à gaz et à un maximum de 30 po au-dessus de la surface de cuisson (à la discrétion de l'installateur).
6. La réglementation relative à l'évacuation de l'air doit être respectée.
7. Pour réduire le risque d'incendie, de choc électrique ou de blessure, n'utilisez pas de pièces de rechange non recommandées par le fabricant (par exemple des pièces fabriquées à la maison avec une imprimante 3D).

### **ATTENTION :**

1. Pour ventilation générale uniquement. N'utilisez pas cet appareil pour évacuer des matières ou des vapeurs dangereuses ou explosives.
2. La pièce doit disposer d'une ventilation adéquate si la hotte est utilisée en même temps que des équipements alimentés au gaz ou autre combustible.
3. Afin de réduire les risques d'incendie, le nettoyage doit être effectué conformément aux instructions.
4. Certaines parties de l'appareil peuvent devenir chaudes lors de l'utilisation d'appareils de cuisson.

# **INSTALLATION**

## **⚠️ ⚠️ AVERTISSEMENT**

1. POUR RÉDUIRE LES RISQUES D'INCENDIE, UTILISEZ UNIQUEMENT DES CONDUITS MÉTALLIQUES. INSTRUCTIONS DE MISE À LA TERRE

### **2. Pour une hotte branchée avec un câble électrique**

#### **INSTRUCTIONS DE MISE À LA TERRE**

Cet appareil doit être mis à la terre. En cas de court-circuit, la mise à la terre réduit les risques de choc électrique en permettant au courant de passer dans un fil de fuite. Cet appareil comporte un câble électrique muni d'un fil et d'une fiche de mise à la terre. Cette fiche doit être branchée dans une prise de courant correctement installée et mise à la terre.

**AVERTISSEMENT** - Une mise à la terre incorrecte peut entraîner un risque de choc électrique.

Consultez un électricien qualifié si vous ne comprenez pas complètement les directives de mise à la terre ou si vous n'êtes pas sûr que l'appareil comporte une mise à la terre adéquate.

N'utilisez pas de rallonge électrique. Si le câble électrique est trop court, contactez un électricien qualifié pour l'installation d'une prise de courant près de l'appareil.

### **3. Hotte branchée en permanence**

1. AFIN DE RÉDUIRE LES RISQUES D'INCENDIE, DE CHOC ÉLECTRIQUE OU DE BLESSURES CORPORELLES, SUIVEZ LES DIRECTIVES SUIVANTES :

- A. Les travaux d'installation et de raccordement électrique doivent être effectués par une personne qualifiée, conformément aux codes et aux standards de construction, incluant ceux concernant la protection contre les incendies.
- B. Une quantité d'air adéquate est requise afin d'assurer une bonne combustion et l'évacuation des gaz par la cheminée dans le cas des équipements alimentés au gaz afin de prévenir les retours de cheminée. Conformez-vous aux instructions et aux standards de sécurité des fabricants d'équipement de chauffage, tel qu'ils sont publiés par la National Fire Protection Association (NFPA) et l'American Society for Heating, Refrigeration and Air Conditioning Engineers (ASHRAE) ainsi que les responsables des codes locaux.
- C. Veillez à ne pas endommager le câblage électrique ou d'autres équipements non apparents lors de la découpe ou du perçage du mur ou du plafond.
- D. Les ventilateurs avec des conduits doivent toujours évacuer l'air à l'extérieur.
- E. Si cet appareil doit être installé au-dessus d'une baignoire ou d'une douche, il doit comporter les mentions appropriées pour cette utilisation et être branché sur un circuit de dérivation protégé par un DDFT (disjoncteur différentiel de fuite à la terre).
- F. Les travaux d'installation et de raccordement électrique doivent être effectués par des personnes conformément au code national de l'électricité, ANSI/NFPA 70 et aux codes locaux. Avant de débiter l'installation, coupez l'alimentation électrique en verrouillant le panneau de distribution afin d'éviter sa remise en marche accidentelle. Si le panneau de distribution ne peut être verrouillé, y fixer un avertissement en évidence, telle qu'une étiquette de couleur vive.
- G. Raccordez le câble d'alimentation à l'installation électrique dans la boîte électrique. Le conducteur du produit identifié comme conducteur mis à la terre (BLANC) doit être raccordé à un conducteur mis à la terre (BLANC) de l'alimentation électrique, le conducteur du produit identifié comme conducteur non mis à la terre (NOIR) doit être raccordé à un conducteur non mis à la terre (NOIR) de l'alimentation

électrique, le conducteur du produit identifié pour la mise à la terre de l'équipement (VERT) doit être raccordé à un conducteur de mise à la terre de l'équipement (VERT). Fixez le fil d'alimentation au boîtier de câblage avec un attache-câble approprié et remplacez la plaque du boîtier de câblage.

## **ATTENTION**

Pour réduire les risques d'incendie et obtenir une évacuation correcte de l'air, acheminez les conduits jusqu'à l'extérieur - n'évacuez pas l'air dans des espaces situés à l'intérieur des murs ou des plafonds, ni dans un grenier, un vide sanitaire ou un garage.

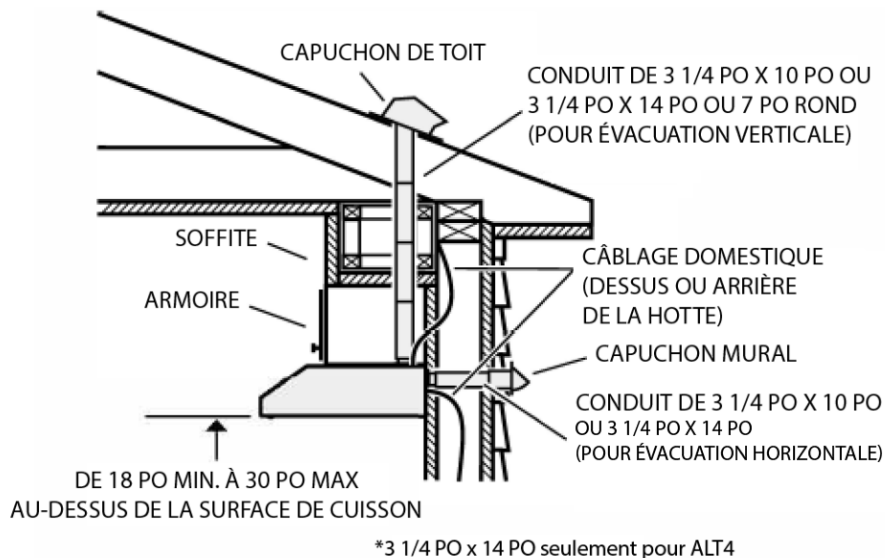
*Pour connaître les lignes directrices de l'ADA (Americans with Disabilities Act) concernant l'installation, veuillez utiliser l'ensemble HAWRK5 (série GLA3, MTR3, ALT3 et ALT4). Consultez le site Web de Broan pour connaître les instructions d'installation ([Instructions ADA hottes intermédiaires](#))*

## **Préparation de l'installation**

Outils et accessoires recommandés pour l'installation :

- Ruban à mesurer
- Tournevis Phillips n° 2
- Tournevis à douille ou douille de 11/32 po
- Tournevis plat (pour dégager les ouvertures préamorcées)
- Perceuse, foret de 1/8 po et scie cloche de 1½ po (pour marquer les repères des trous pour les conduits et découper le trou pour le passage du fil d'alimentation électrique)
- Cales de bois (2) et vis à bois (4) (requis pour une installation sous une armoire à fond en retrait)
- Scie (pour la découpe des trous d'une installation avec conduits)
- Cisaille à tôle (installation avec conduits, pour l'ajustement de ceux-ci)
- Pince (installation avec conduits, pour l'ajustement de ceux-ci)
- Ruban adhésif de métal (installations avec conduits)
- Ciseaux (pour couper le ruban de métal)
- Crayon
- Pince à dénuder
- Serre-fils de 1/2 po de diamètre (pour fixer le câble d'alimentation électrique de la maison à la hotte)
- Volet BP87Q (nécessaire en cas d'utilisation d'un conduit rond de 7 po)

## Installation des conduits (installations avec conduits uniquement)



NOTE : Une distance supérieure à 30 po demeure à la discrétion de l'installateur et de l'utilisateur.

- Déterminer si l'évacuation se fera verticalement (3¼ po x 10 po, 3¼ po x 14 po ou 7 po rond), ou horizontalement (3¼ po x 10 po ou 3 1/4 x 14 po).  
Note : L'évacuation avec conduit de 3¼ po x 14 po est seulement disponible pour le modèle ALT4.
- Établir où le conduit passera entre la hotte et l'extérieur.
- Le conduit reliant cette hotte à l'extérieur du bâtiment a un effet direct sur le débit de l'air, le bruit généré et la consommation d'énergie de son ventilateur. Pour obtenir le meilleur rendement, utiliser un conduit le plus droit et le plus court possible, en évitant de raccorder le ventilateur de la hotte à un conduit de format plus petit que recommandé. De l'isolant autour du conduit peut réduire la perte d'énergie et empêcher la croissance de moisissures. Les hottes installées avec un conduit préexistant pourraient ne pas atteindre leur débit nominal. Veuillez-vous référer au tableau ci-bas pour vous aider à planifier l'installation la plus efficace.
- Installer un capuchon de toit ou de mur (vendu séparément). Relier le conduit en métal au capuchon, puis acheminer le conduit jusqu'à l'emplacement de la hotte. Sceller hermétiquement les raccords à l'aide de ruban adhésif de métal de 2 po de largeur.

### **Pour les séries GLA3, MTR3, ALT3**

Longueurs maximales de conduit recommandées  
pour obtenir une efficacité d'évacuation de 80%

LONGUEUR MAXIMALE DE CONDUIT HORIZONTAL DE 3¼ PO X 10 PO	LONGUEUR MAXIMALE DE CONDUIT VERTICAL DE 3¼ PO X 10 PO	LONGUEUR MAXIMALE DE CONDUIT ROND DE 7 PO	CAPUCHON DE MUR OU DE TOIT AVEC CLAPET	COUDE(S)* (90° ET/OU 45°)
73 pi.	67 pi.	83 pi.	1	0
64 pi.	59 pi.	68 pi.	1	1
56 pi.	50 pi.	54 pi.	1	2

\* Coudes standards de rayon interne de 1 po.

NOTE: Il est possible d'utiliser des conduits ronds de 6 po mais l'efficacité de l'évacuation pourrait être diminuée.

## Pour la série ALT4

Longueurs maximales de conduit recommandées  
pour obtenir une efficacité d'évacuation de 80%

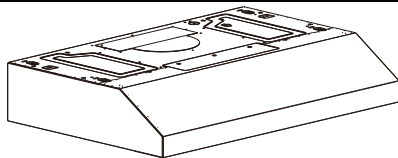

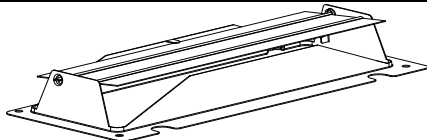

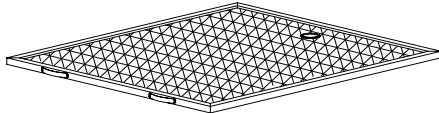

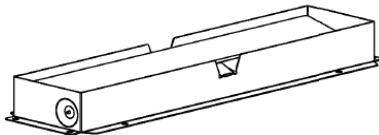
LONGUEUR MAXIMALE DE CONDUIT HORIZONTAL DE 3 1/4 PO X 10 PO	LONGUEUR MAXIMALE DE CONDUIT VERTICAL DE 3 1/4 PO X 10 PO	LONGUEUR MAXIMALE DE CONDUIT DE 3 1/4 PO X 14 PO, HORIZONTAL	LONGUEUR MAXIMALE DE CONDUIT DE 3 1/4 PO X 14 PO, VERTICAL	LONGUEUR MAXIMALE DE CONDUIT ROND DE 7 PO	CAPUCHON DE MUR OU DE TOIT AVEC CLAPET	COUDE(S)* (90° ET/OU 45°)
43 pi.	62 pi.	94 pi.	114 pi.	59 pi.	1	0
34 pi.	54 pi.	84 pi.	104 pi.	44 pi.	1	1
26 pi.	45 pi.	74 pi.	94 pi.	30 pi.	1	2


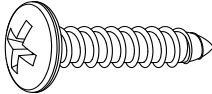
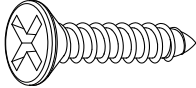
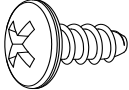
\* Coudes standards de rayon interne de 1 po.

NOTE: Il est possible d'utiliser des conduits ronds de 6 po mais l'efficacité de l'évacuation pourrait être diminuée.

## Contenu

Avant de procéder à l'installation, vérifier le contenu de la boîte. Si des articles sont manquants ou endommagés, contacter le fabricant. S'assurer que les articles suivants sont inclus :

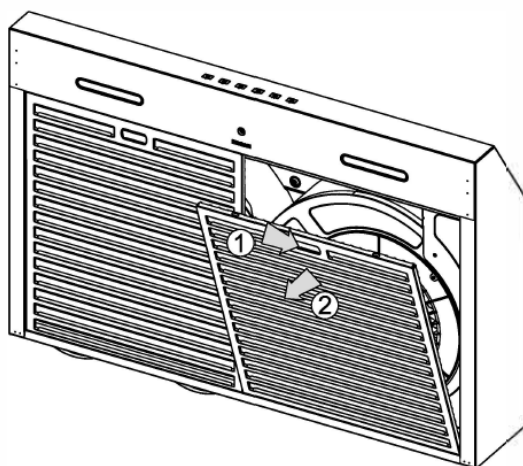
No.	ARTICLE	IMAGE	QTÉ
1	HOTTE		1
2	CONDUIT ROND DE 7 PO		1
3	CONDUIT 3 1/4 PO x 10 PO		1
4	SACHET DE PIÈCES		1
5	FILTRES À GRAISSE		2
6	CARTE CRT		1
7	CONDUIT DE 3 1/4 x 14" (ALT4 SEULEMENT)		1

N°	CONTENU DU SACHET DE PIÈCES	IMAGE	QTÉ
1	Supports d'installation EZ1		2
2	Vis ST 3/16 po x 11/16 po Vis à tête ronde		6
3	Vis ST 3/16 po x 11/16 po Vis à bois à tête fraisée		4
4	Vis ST 3/16 po x 5/16 po Vis à tête ronde		5

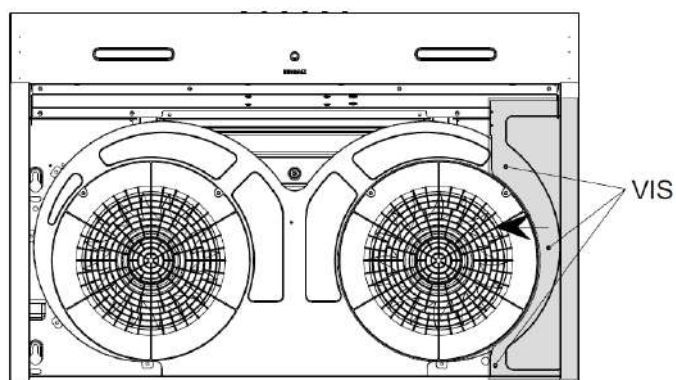
## Préparation de la hotte

NOTE : Puisque ce manuel couvre plusieurs modèles de hottes de cuisinière, certains détails de votre hotte peuvent être légèrement différents de ceux illustrés.

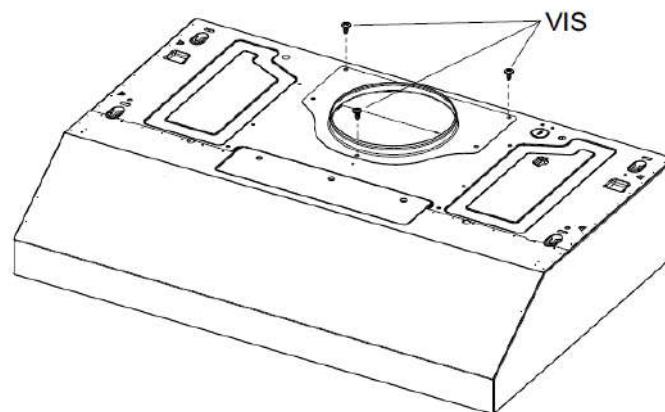
1. Retirer toute présence de pellicules de plastique protectrice sur la hotte et/ou ses pièces.
2. Enlever les filtres en les poussant vers l'arrière de la hotte ① et en les basculant ②.



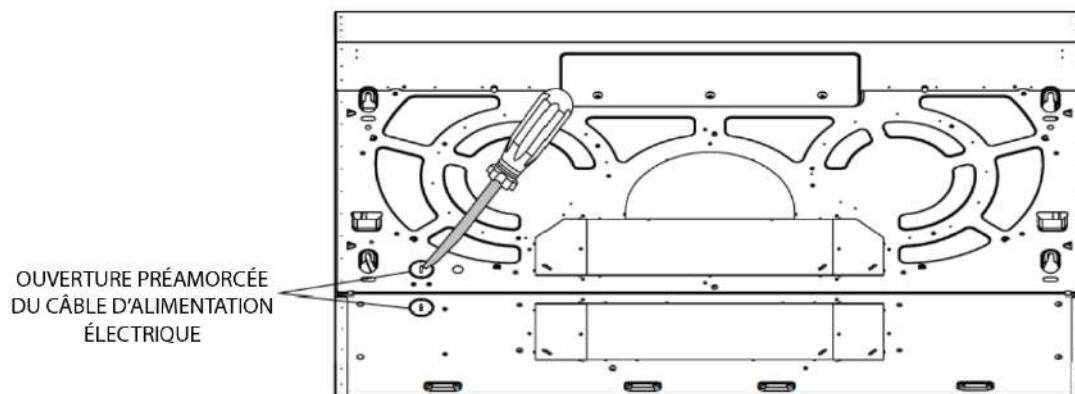
3. Retirer les vis et le couvercle du compartiment électrique.



4. Utiliser le tournevis Phillips pour retirer les 3 vis du conduit rond de 7 po. Retirer le conduit rond de 7 po.

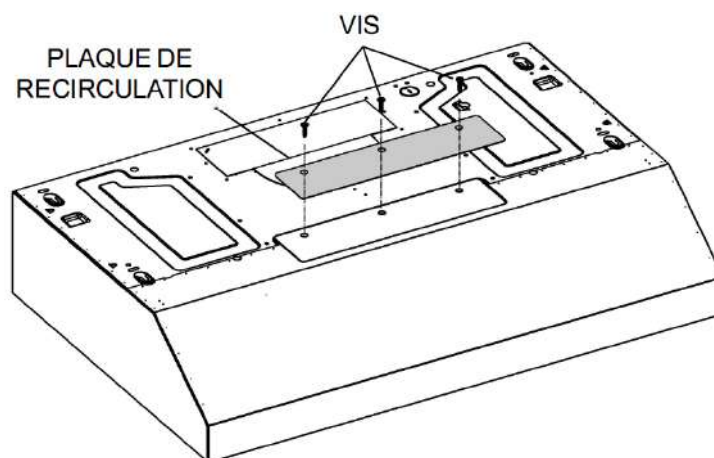


5. Enlever l'ouverture préamorcée du câble d'alimentation électrique du dessus (câblage vertical) ou de l'arrière de la hotte (câblage horizontal). Installer un serre-fils approprié de 1/2 po de diamètre (non inclus).



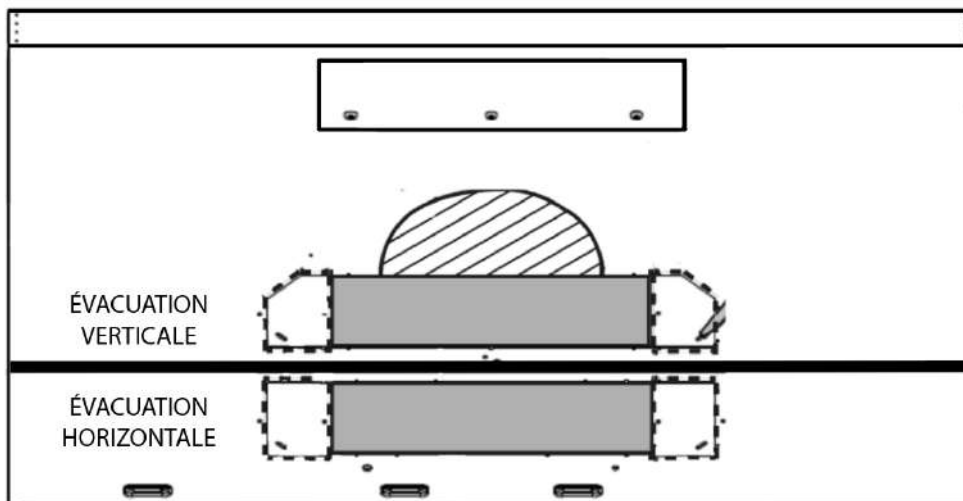
### **1. INSTALLATION AVEC RECIRCULATION SEULEMENT**





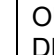




Retirer les 3 vis retenant la plaque couvrant la grille de recirculation (en gris dans l'illustration ci-dessous) à la hotte. Se défaire de cette plaque et de ses vis. Soulever et se défaire de la membrane recouvrant la grille de recirculation, en s'assurant que les ouvertures soient complètement dégagées.



## 2. INSTALLATION AVEC CONDUITS SEULEMENT

Retirer les ouvertures préamorcées selon la méthode choisie pour les conduits.

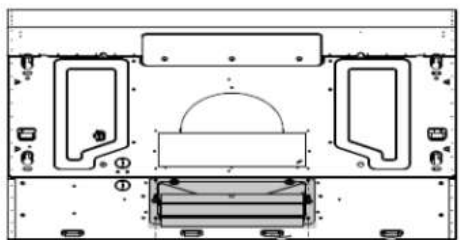
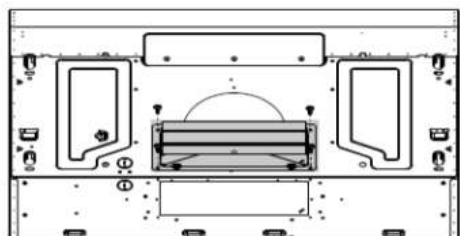


ÉVACUATION VERTICALE		ÉVACUATION HORIZONTALE	
 + 	OUVERTURE PRÉAMORCÉE DE 7 PO		OUVERTURE PRÉAMORCÉE DE 3 ¼ PO X 10 PO
 + 	OUVERTURE PRÉAMORCÉE DE 3 ¼ PO X 10 PO	 + 	OUVERTURE PRÉAMORCÉE DE 3 ¼ PO X 14 PO
 + 	OUVERTURE PRÉAMORCÉE DE 3 ¼ PO X 14 PO		

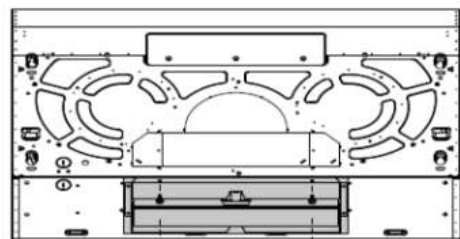
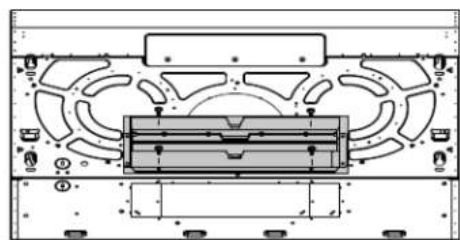
### 3. INSTALLATION AVEC CONDUITS SEULEMENT

Installer l'adaptateur/volet de 3¼ po x 10 po sur le dessus OU à l'arrière de la hotte (en gris sur la **Figure 2 A**; si un conduit de 3¼ po x 10 po est installé) ou la plaque pour conduit rond de 7 po (si un conduit de 7 po rond est utilisé, voir la **Figure 3**). Lorsqu'il est installé, l'adaptateur/volet de 3¼ po x 10 po doit s'ouvrir comme il est indiqué à la **Figure 2 B** (adaptateur/volet de 3¼ po x 14 po pour ALT4 seulement).

**Figure 2 A**

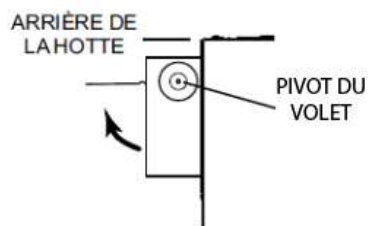
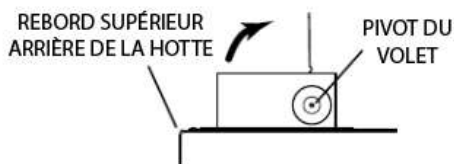
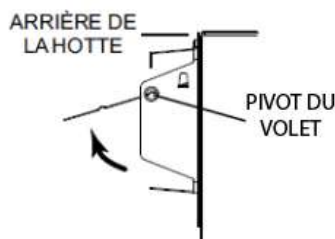
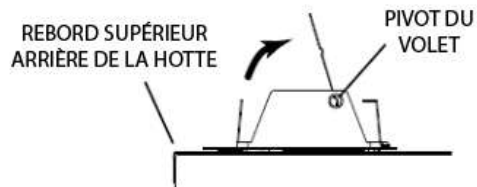


CONDUIT DE 3 ¼ po x 10 po

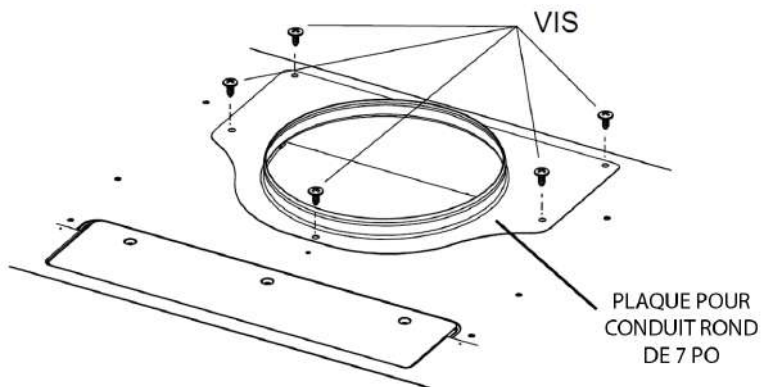


CONDUIT DE 3 ¼ PO X 14 PO

**Figure 2 B**



**Figure 3**



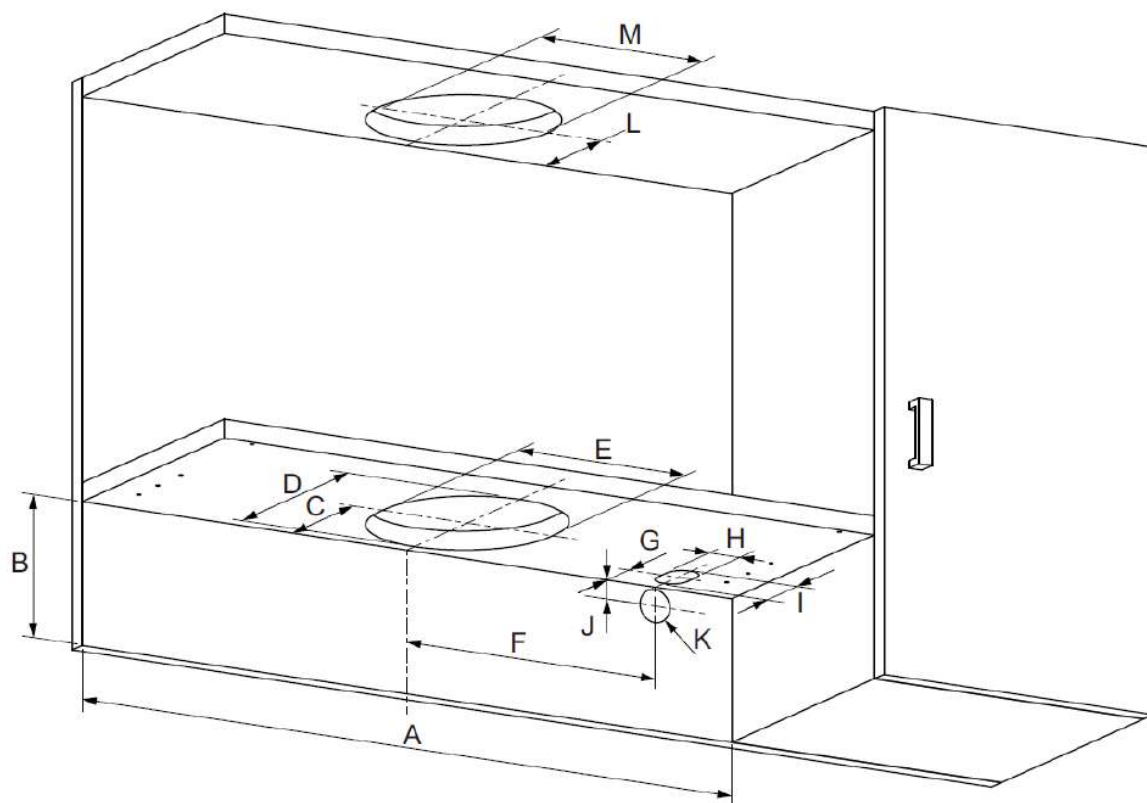
**TRUC** : Glisser une petite longueur de conduit par-dessus l'adaptateur/volet de 3¼ po x 10 po, de 3 ¼ po x 14 po (pour un conduit rectangulaire) ou de 7 po rond (pour un conduit rond) et sceller le joint à l'aide de ruban adhésif d'aluminium pour faciliter le raccord avec le reste des conduits.

## Préparation de l'emplacement de la hotte

Ce manuel couvre deux types d'installation : l'installation standard (sans les supports EZ1) et le système d'installation à une personne EZ1 (en utilisant supports inclus).

Découper les ouvertures pour conduits et l'ouverture pour le passage du câble à l'intérieur de l'armoire, en fonction de l'installation des conduits que vous avez choisie.

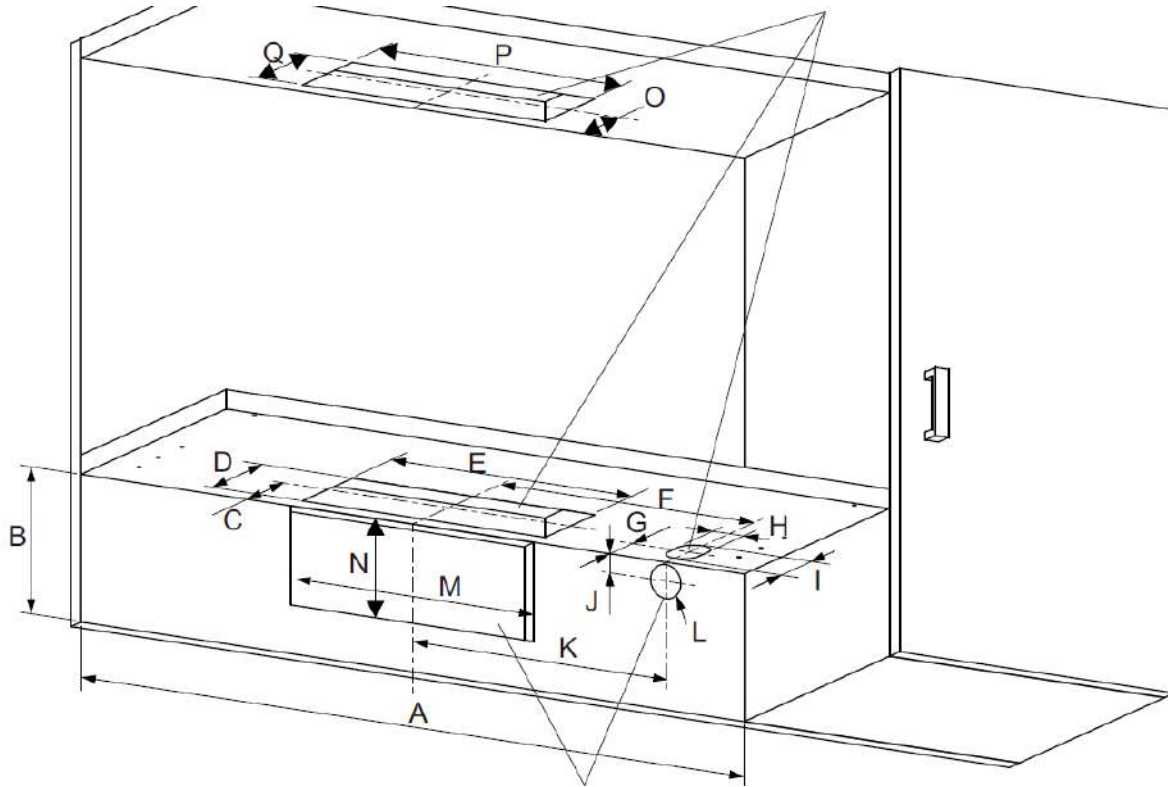
### Pour conduit rond de 7 po



Série	GLA3	MTR3	ALT3 et 4
A	30 1/8 po	30 1/8 po	30 1/8 po
	36 1/16 po		
B	6 po	5 1/8 po	5 1/8 po
C	4 7/8 po		
D	Ø 8 7/16 po		
E	11 ½ po pour 30 po; 13 po pour 36 po		
F	1 3/4 po		
G	Ø 1 3/8 po		
H	2 3/16 po		
I	13/16 po		
J	Ø 1 3/8 po		
K	4 7/8 po		
L	Ø 8 7/16 po		

**Conduit de 3 ¼ po x 10 po ou 3 ¼ x 14 po**

3 ¼ po x 10 po ou 3 ¼ po x 14 po  
POUR ÉVACUATION VERTICALE

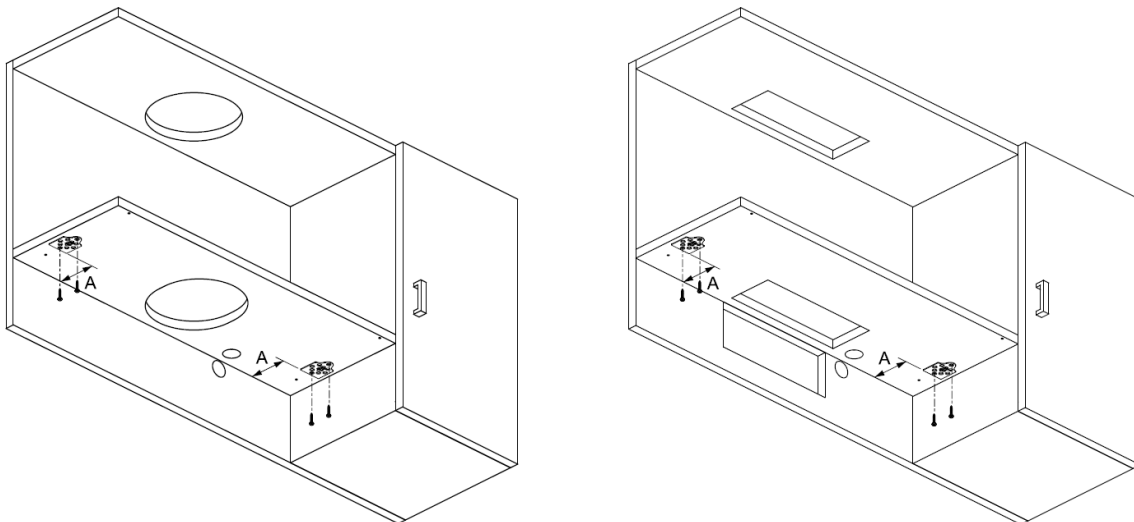


3 ¼ po x 10 po ou 3 ¼ po x 14 po  
POUR ÉVACUATION HORIZONTALE

Série	GLA3	MTR3	ALT3 et 4
A	30 1/8 po	30 1/8 po	30 1/8 po
	36 1/16 po		
B	6 po	5 1/8 po	6 po
C	2 15/16 po		
D	4 ¾ po		
E	11 po pour un conduit de 3 ¼ po x 10 po ; 15 po pour un conduit de 3 ¼ po x 14 po		
F	11 ½ po pour 30 po; 13 po pour 36 po		
G	1 ¾ po		
H	Ø 1 3/8 po		
I	2 3/16 po		
J	13/16 po		
K	11 ½ po pour 30 po; 13 po pour 36 po		
L	Ø 1 3/8 po		
M	11 po pour un conduit de 3 ¼ po x 10 po ; 15 po pour un conduit de 3 ¼ po x 14 po		
N	4 po		
O	2 15/16 po		
P	11" pour un conduit de 3 ¼ po x 10 po ; 15 po pour un conduit de 3 ¼ po x 14 po		
Q	4 ¾ po		

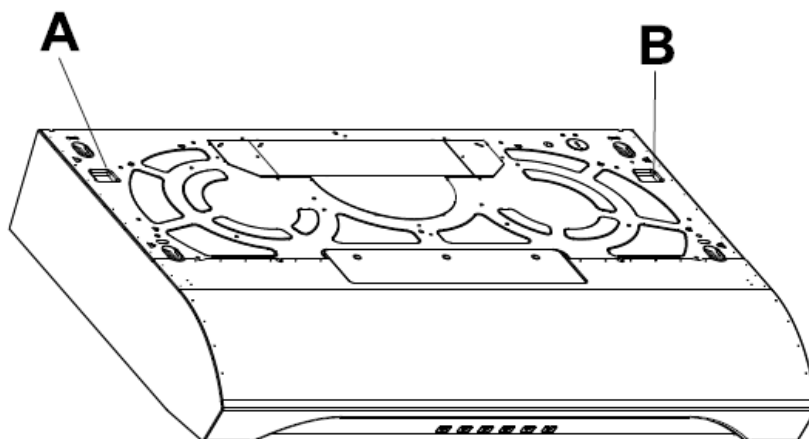
## Installation de la hotte (avec supports EZ1)

1. Acheminer le câble d'alimentation depuis le panneau de distribution de la maison jusqu'à l'emplacement de la hotte.
2. Utiliser les 4 vis ST 3/16 po x 11/16 po (vis à tête fraisée) pour fixer les 2 supports EZ1 sur l'armoire.

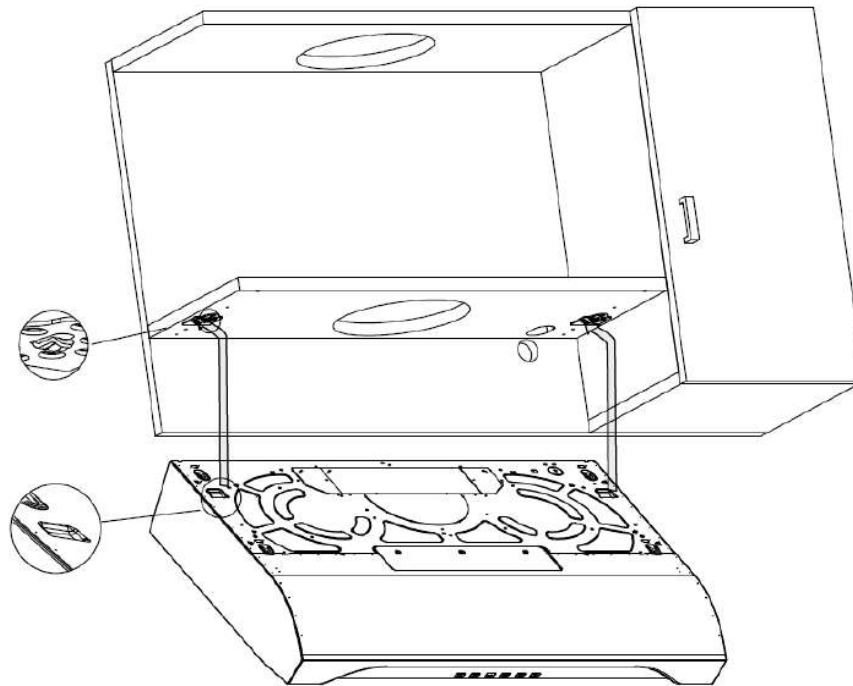


A = 3 1/2 po

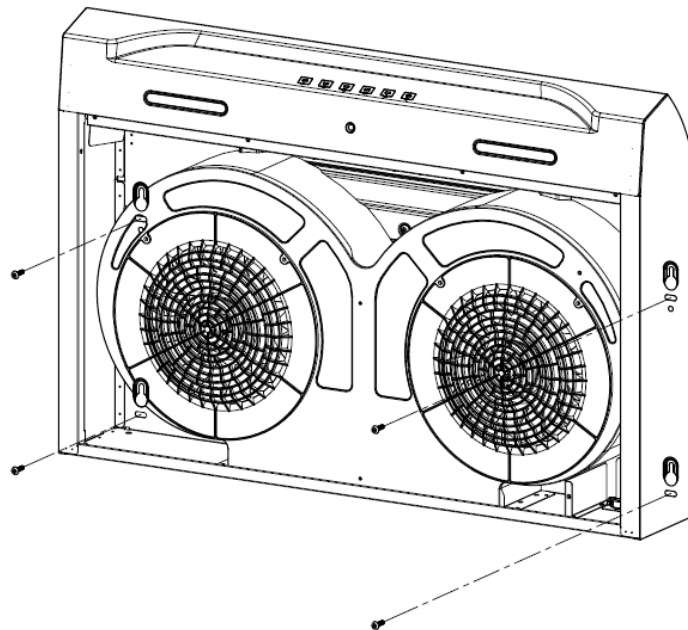
3. Soulever la hotte et accrocher les supports EZ1 à la hotte.



4. Accrocher **TEMPORAIREMENT** la hotte aux supports EZ1. Tout retenant la hotte, passer le câble d'alimentation électrique dans la hotte à travers le serre-fils installé précédemment.



5. Accrocher la hotte en fixant les 4 vis ST 3/16 po x 11/16 po (vis à tête fraisée) dans les fentes.

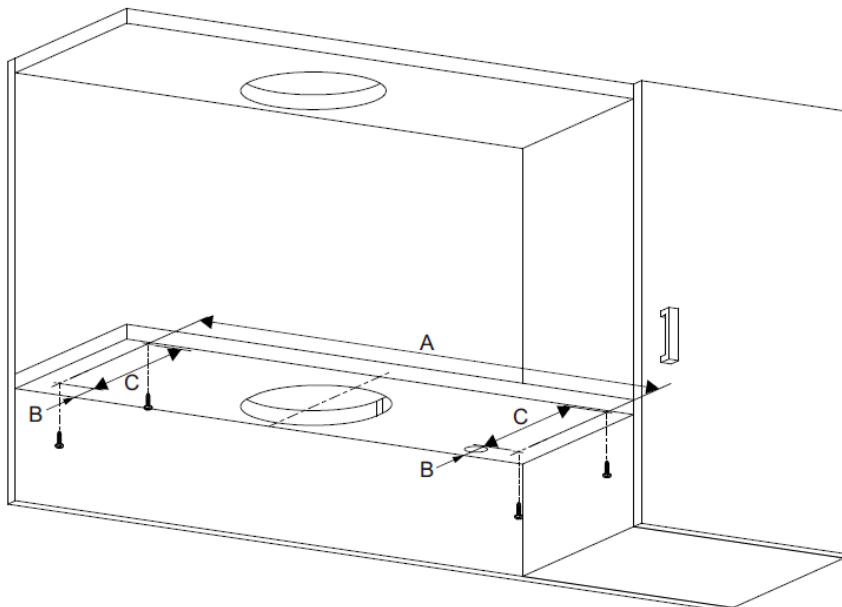


#### **4. INSTALLATION AVEC CONDUITS SEULEMENT**

Raccorder le conduit à la hotte et sceller les joints avec du ruban adhésif de métal. S'assurer que l'adaptateur/volet (ou la plaque pour conduit rond) entre dans le conduit et que son volet ouvre et ferme librement.

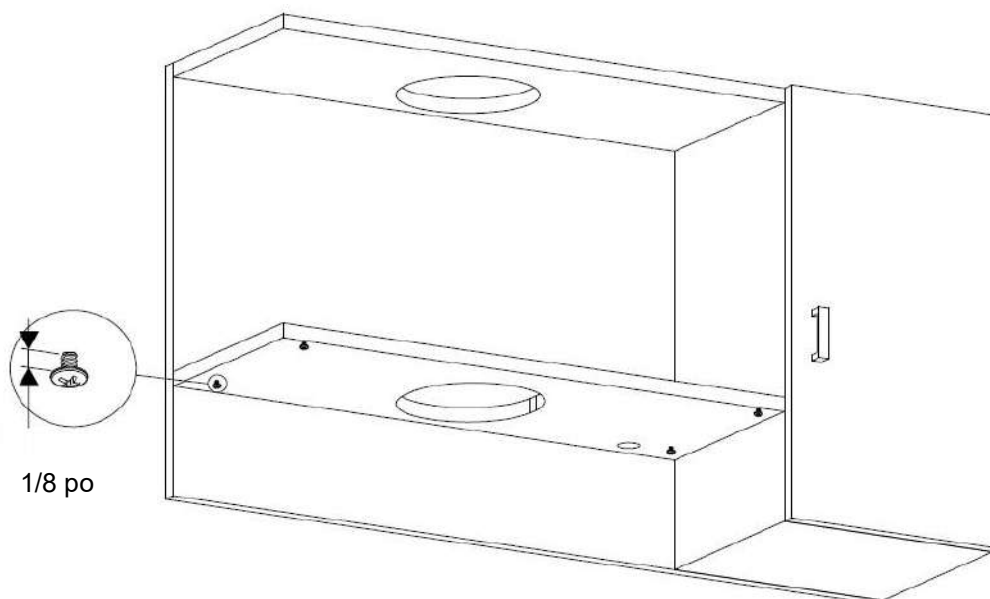
## Installation de la hotte (installation standard)

1. Acheminer le câble d'alimentation du panneau électrique jusqu'à l'emplacement de la hotte.
2. Insérer les 4 vis ST 3/16 po x 11/16 po (vis à tête fraisée) dans l'armoire selon les positions indiquées sur le schéma ci-dessous.

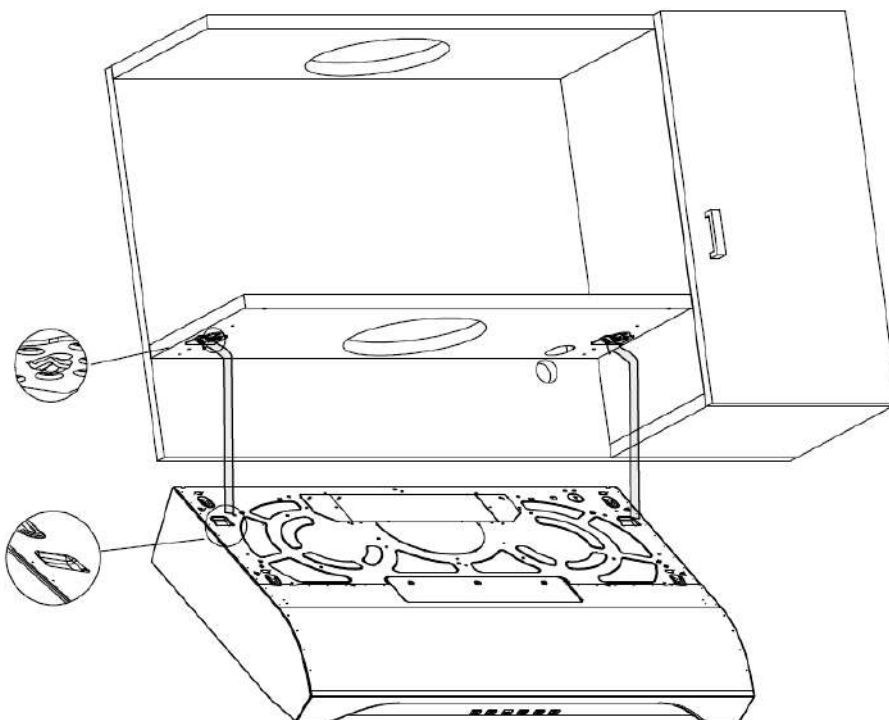


A	27 ¼ po pour 30 po 33 3/16 po pour 36 po
B	2 1/16 po
C	9 1/16 po

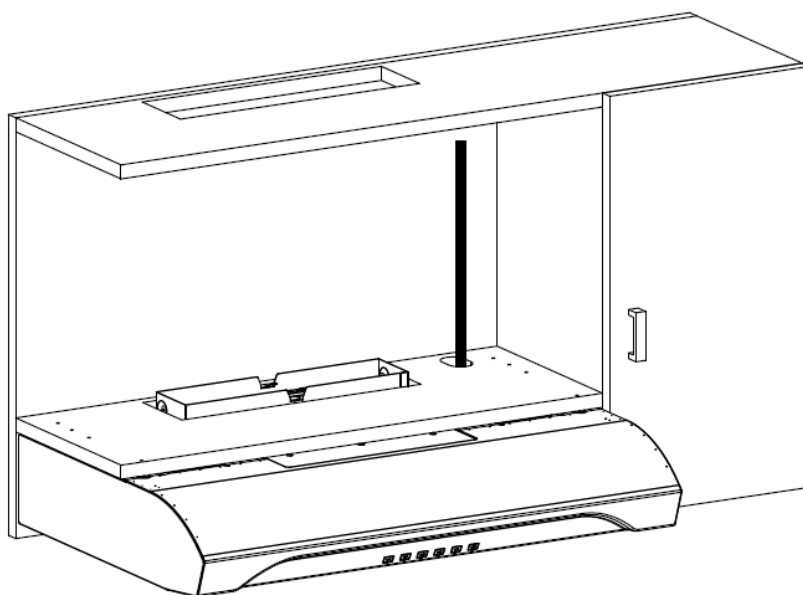
REMARQUE : Laisser un espace de 1/8 po entre la tête des vis et l'armoire.



3. Soulever la hotte. Placer les 4 trous sur les vis. Faire glisser la hotte pour la mettre en place.



4. Tout en retenant la hotte, acheminez le câble d'alimentation électrique jusqu'à l'intérieur de la hotte à travers le serre-fils installé précédemment.



5. Serrer les 2 vis ST 3/16 po x 11/16 po (vis à tête fraisée) installées à l'étape 2.

### **5. INSTALLATION AVEC CONDUITS SEULEMENT**

Raccorder le conduit à la hotte et sceller les joints avec du ruban adhésif de métal. S'assurer que l'adaptateur/volet (ou la plaque pour conduit rond, sans volet) entre dans le conduit et que son volet ouvre et ferme librement.

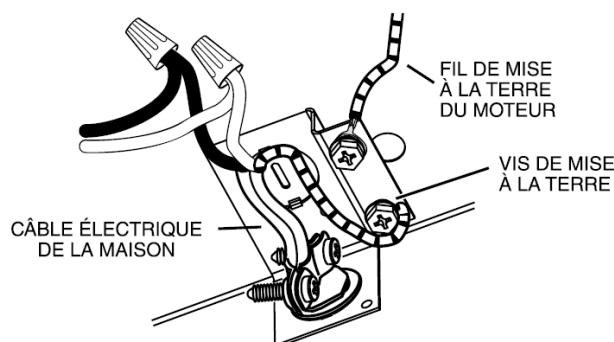
## BRANCHEMENT ÉLECTRIQUE

### AVERTISSEMENT

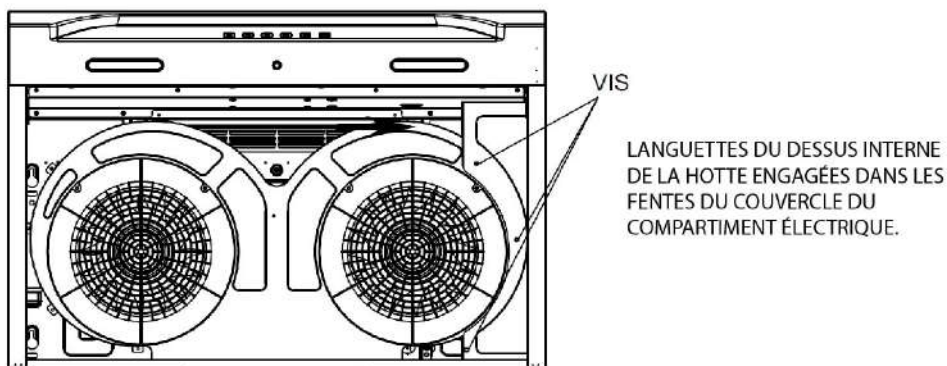


**Risque d'électrocution. Le raccordement électrique doit être effectué par du personnel qualifié conformément aux codes et aux standards en vigueur. Avant d'effectuer le branchement, coupez l'alimentation électrique au panneau de distribution et verrouillez-le pour éviter une mise en marche accidentelle.**

1. Connecter le câble électrique de la maison avec les fils de la hotte : le fil NOIR au fil NOIR, le fil BLANC au fil BLANC, et le fil VERT ou fil dénudé à la vis VERTE de mise à la terre.



2. Remettre en place le couvercle du compartiment électrique et le fixer à la hotte avec sa vis de retenue.



## Installation des filtres

### **INSTALLATION AVEC CONDUITS SEULEMENT**

Remettre en place les filtres à graisses retirés à l'étape 2 de la section « Préparation de la hotte ».

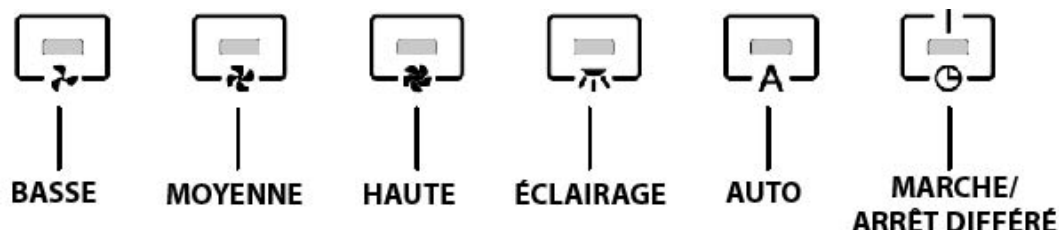
### **INSTALLATION SANS CONDUITS SEULEMENT**

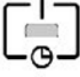
Se procurer deux filtres de recirculation chez votre distributeur ou votre détaillant local (consulter l'étiquette de spécification pour connaître le type de filtre). Installer le filtre de recirculation selon les directives incluses avec celui-ci.

## **FONCTIONNEMENT**


Toujours mettre en marche la hotte avant de commencer la cuisson afin d'établir une circulation d'air dans la cuisine. Laisser également la hotte fonctionner quelques minutes après l'arrêt de la cuisinière afin de nettoyer l'air. Cela aidera à maintenir la cuisine plus propre et plus fraîche. Faire fonctionner la hotte comme suit :

### **Commandes par effleurement**



  
MARCHE/  
ARRÊT DIFFÉRÉ

1<sup>er</sup> toucher : fonctionnement de la ventilation à basse vitesse  
2<sup>ème</sup> toucher : Fonction d'arrêt différé de 5 minutes activée (la lumière de la touche clignote). Modifier la vitesse de la ventilation annulera la fonction d'arrêt différé.  
3<sup>ème</sup> toucher : Éteindre l'éclairage

  
ÉCLAIRAGE

1<sup>er</sup> toucher : BASSE vitesse  
2<sup>ème</sup> toucher : HAUTE vitesse  
3<sup>ème</sup> toucher : Éteindre l'éclairage



Lorsque la fonction est activée, la hotte s'activera automatiquement en fonction du changement de température détecté par le capteur. Appuyer à nouveau sur cette touche pour désactiver le mode automatique.

Note : si la vitesse du ventilateur est modifiée manuellement, le mode automatique se désactivera. Appuyer à nouveau sur cette touche pour activer le mode Auto.

- - Appuyer sur la touche BASSE, MOYENNE ou HAUTE pour sélectionner la vitesse du ventilateur. Appuyer à nouveau sur la vitesse actuelle du ventilateur pour l'arrêter.

## Fonction du Code Ready Technology<sup>MC</sup>

L'option Code Ready Technology permet d'abaisser le débit du ventilateur réglé en usine à un maximum de 300 pi<sup>3</sup> /min ou 400 pi<sup>3</sup> /min (ALT4 seulement). L'activation de l'option CRT réduira le débit maximal du ventilateur, afin que celui-ci ne dépasse pas les limites permises par les codes MUA (Make-Up Air), pour satisfaire aux exigences de certains codes du bâtiment. Ne pas tenter de modifier le débit du ventilateur, à moins que ce changement soit requis par un code. Cette modification affectera la performance de votre produit.

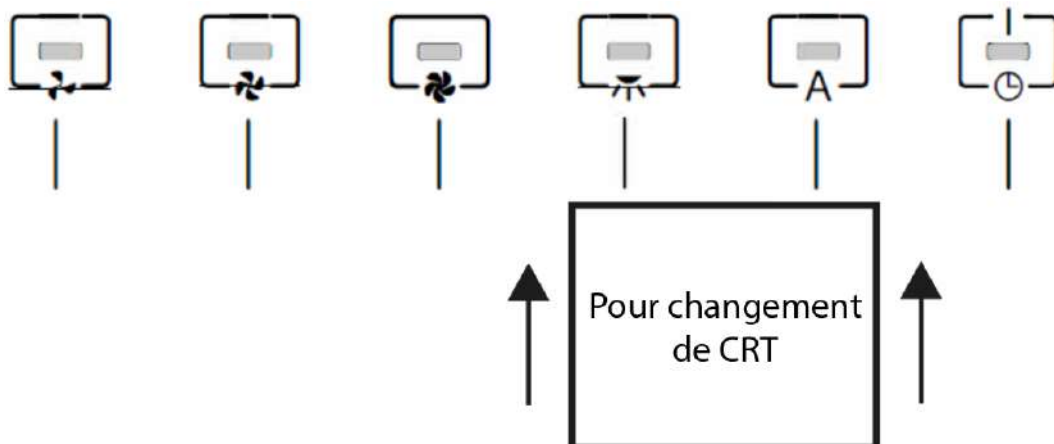
**NOTE IMPORTANTE :** Une interruption de courant à la hotte ne désactivera pas l'option CRT.

### A. Pour les séries GLA3, MTR3, ALT3 :

- Placer la carte CRT à la verticale, face aux boutons ÉCLAIRAGE et AUTO ou appuyer sur les deux boutons simultanément pendant 3 à 5 secondes. Les deux voyants doivent s'allumer et 3 bips courts doivent être émis pour changer de programme (débit d'air maximum de 300 pi<sup>3</sup> /min).

### B. Pour la série ALT4 :

- Placer la carte CRT à la verticale, face aux boutons ÉCLAIRAGE et AUTO ou appuyer sur les deux boutons simultanément pendant 3 à 5 secondes. Les deux voyants doivent s'allumer et 3 bips courts doivent être émis pour changer de programme (débit d'air maximum de 400 pi<sup>3</sup> /min).
- Placer la carte CRT à la verticale, face aux boutons ÉCLAIRAGE et AUTO ou appuyer sur les deux boutons simultanément pendant 3 à 5 secondes. Les deux voyants doivent s'allumer et 5 bips courts doivent être émis pour changer de programme (débit d'air maximum de 300 pi<sup>3</sup> /min).



Note : La carte CRT peut être remplacée par une feuille.

## **ENTRETIEN ET NETTOYAGE**

L'entretien adéquat de la hotte préservera ses performances.

### **MOTEUR**

Le moteur est lubrifié en permanence et n'a pas besoin d'être huilé. Si les roulements du moteur sont anormalement bruyants, remplacer le moteur uniquement par le même modèle. Lors du remplacement du moteur, il est recommandé de remplacer également l'hélice du ventilateur.

### **FILTRES À GRAISSES**

Les filtres à graisses doivent être nettoyés fréquemment. Utiliser une solution d'eau chaude et de détergent. Les filtres sont lavables au lave-vaisselle.

Nettoyer les filtres fabriqués entièrement de métal au lave-vaisselle à l'aide d'un détergent sans phosphate. L'utilisation d'un détergent avec phosphates ainsi que les conditions locales de l'eau peuvent entraîner une décoloration des filtres, sans toutefois affecter leur performance. Cette décoloration n'est pas couverte par la garantie. Afin de prévenir ou de limiter la décoloration, laver les filtres à la main avec un détergent doux.

### **FILTRES DE RECIRCULATION**

Les filtres de recirculation devraient être remplacés tous les 3 à 6 mois. Remplacer plus souvent si vos habitudes de cuisson génèrent plus de graisses, comme par exemple la friture ou les aliments sautés au wok. Voir les directives d'installation incluses avec les filtres de recirculation.

### **HÉLICE**

L'hélice du ventilateur doit être nettoyée fréquemment. Utiliser un chiffon propre imbibé d'une solution tiède de détergent.

### **NETTOYAGE DE L'ACIER INOXYDABLE**

#### **À faire :**

- Laver régulièrement les surfaces à l'aide d'un chiffon propre imbibé d'eau chaude et de savon doux ou de détergent liquide à vaisselle.
- Toujours nettoyer dans le sens du polissage.
- Toujours bien rincer avec de l'eau claire (2 à 3 fois) et essuyer complètement.
- Un nettoyeur domestique conçu spécialement pour l'acier inoxydable peut aussi être utilisé.

#### **À ne pas faire :**

- Ne pas utiliser de laine d'acier ou d'acier inoxydable ou tout autre grattoir pour enlever la saleté tenace.
- Ne pas utiliser une poudre nettoyante abrasive ou rugueuse.
- Ne pas laisser la saleté s'accumuler.
- Ne pas laisser la poussière de plâtre ou tout autre résidu de construction atteindre la hotte. Couvrir la hotte pour la durée des travaux afin de s'assurer qu'aucune poussière n'atteigne la hotte.

#### **À éviter lors du choix d'un détergent :**

- Tous produits nettoyants contenant des **agents de blanchiment**; ils attaqueront l'acier inoxydable.
- Tous produits contenant du **chlorure**, du **fluorure**, de l'**iode** ou du **bromure**; ils détérioreront rapidement les surfaces.

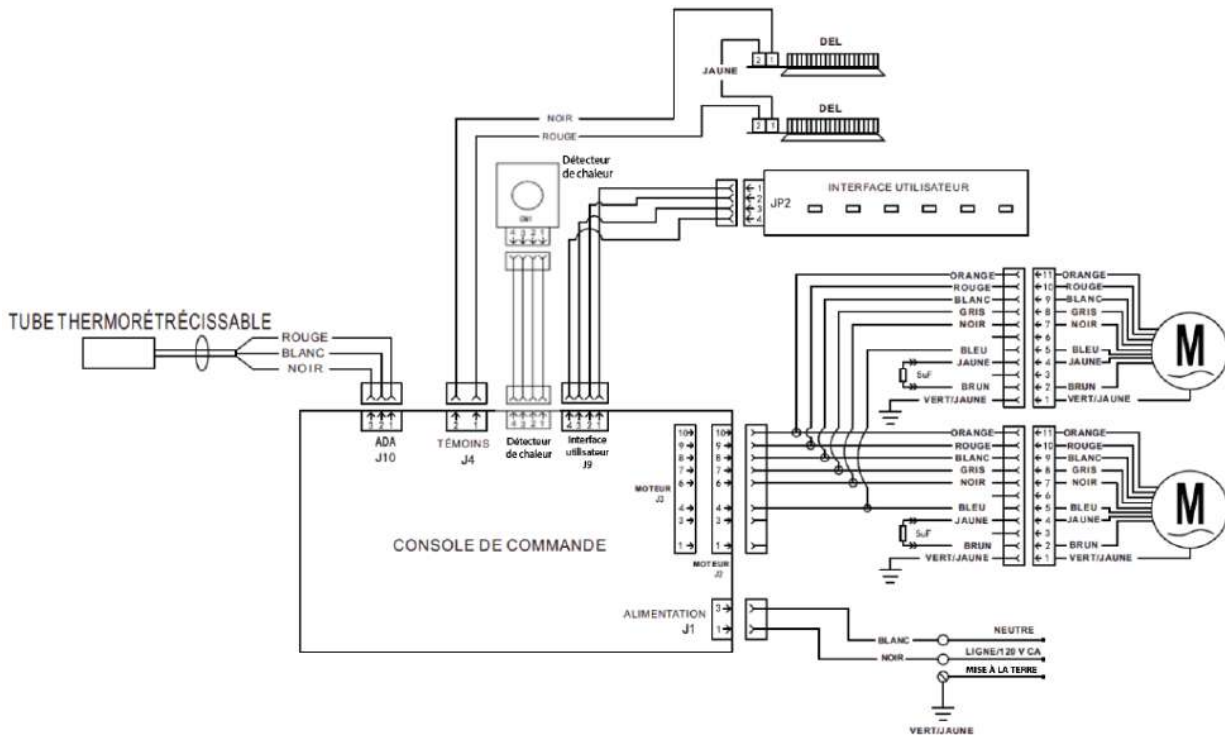
- Tous produits combustibles utilisés pour le nettoyage : **acétone**, **alcool**, **éther**, **benzène**, etc.; ils sont grandement explosifs et ne devraient jamais être utilisés près d'une cuisinière.

### **NETTOYAGE DES SURFACES PEINTES :**

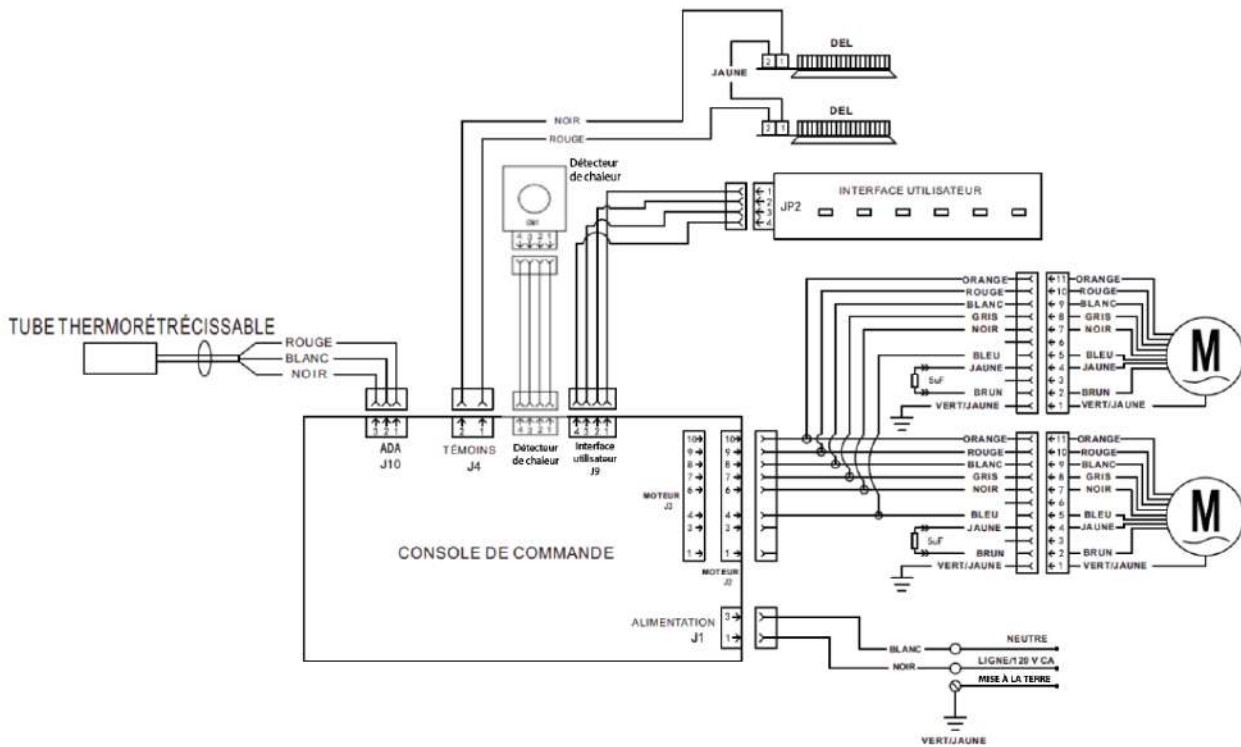
Nettoyer avec de l'eau chaude additionnée de détergent doux seulement. S'il y a décoloration, utiliser une bonne cire telle qu'une cire automobile (NE PAS utiliser de nettoyant abrasif ou de nettoyant à porcelaine).

# SCHÉMAS DE CÂBLAGE

Séries GLA3 et MTR3 et ALT3 :

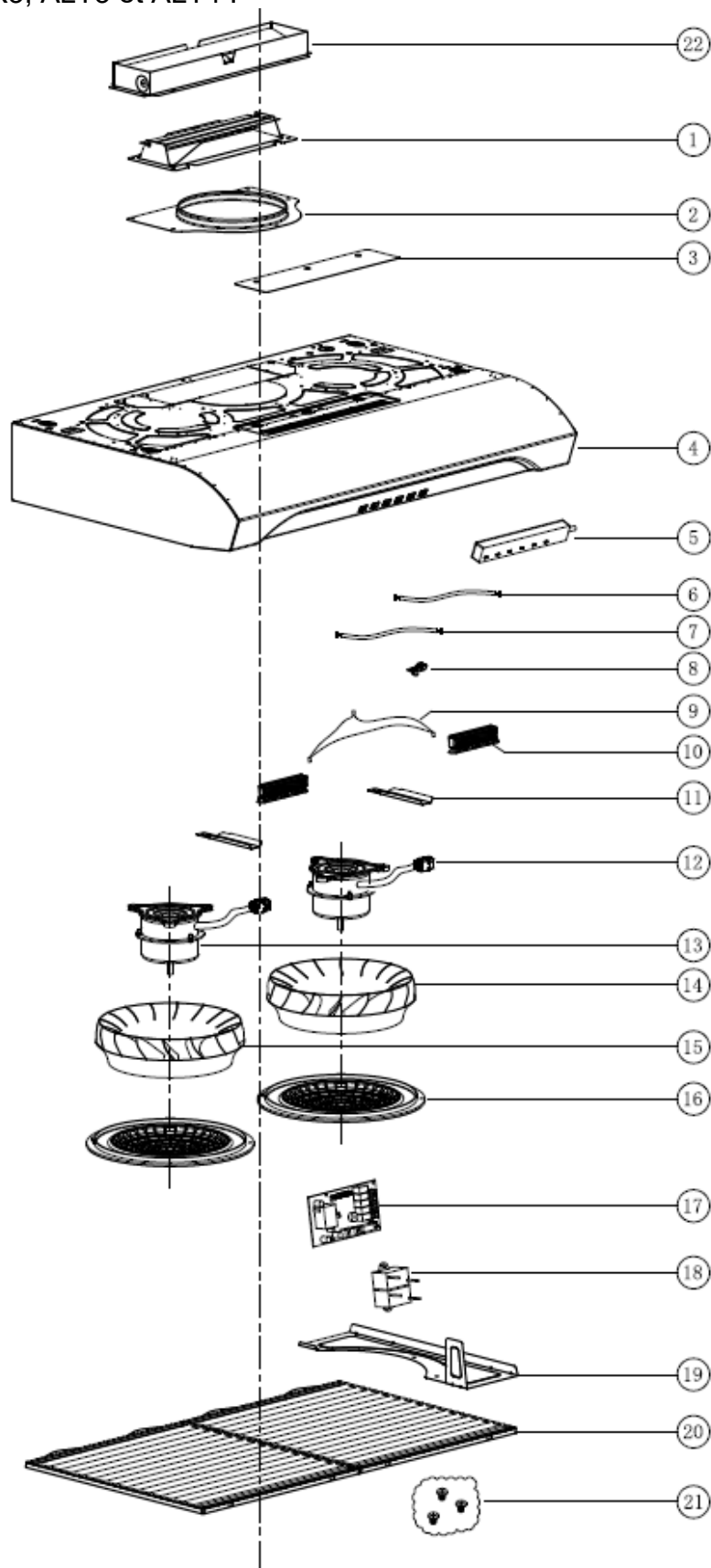


Série ALT4 :



# PIÈCES DE RECHANGE

Séries GLA3, MTR3, ALT3 et ALT4 :



N°		Référence pièce	Description	Qté
Série 3	Série 4			
1	1	S97020534	ADAPTATEUR/VOLET 3-1/4 PO X 10 PO (INCLUANT LES VIS)	1
2	2	SR680508	PLAQUE POUR CONDUIT ROND DE 7PO (INCLUANT LES VIS)	1
3	3	S1115687	PLAQUE DE GRILLE DE RECIRCULATION, BLANC (INCLUANT LES VIS)	1
3	3	S1115689	PLAQUE DE GRILLE DE RECIRCULATION, INOX (INCLUANT LES VIS)	1
5	5	S1115693	COMMANDE À CAPTEURS INFRAROUGE POUR GLA3/MTR3/ALT3/ALT4	1
7&9&10	7&9&10	S1116679	FAISCEAU DE FILS POUR GLA3/MTR3/ALT3/ALT4	1 ensemble
8	8	S1116689	DÉTECTEUR DE CHALEUR POUR GLA3/MTR3/ALT3/ALT4	1
10	10	S97020444	MODULE DEL (PAIRE)	1
/	12	S1116684	MOTEUR SENS ANTIHORAIRE POUR ALT4 (INCLUANT LES VIS)	1
12	/	S1115696	MOTEUR SENS ANTIHORAIRE POUR GLA3/MTR3/ALT3 (INCLUANT LES VIS)	1
/	13	S1116683	ROUE SENS HORAIRE POUR DOUBLE MOTEURS (INCLUANT LES VIS)	1
13	/	S1115695	MOTEUR SENS HORAIRE POUR GLA3/MTR3/ALT3 (INCLUANT LES VIS)	1
14	14	S1116682	ROUE SENS ANTIHORAIRE POUR DOUBLE MOTEURS (INCLUANT LES VIS)	1
15	15	S1116681	ROUE SENS HORAIRE POUR DOUBLE MOTEURS (INCLUANT LES VIS)	1
16	16	S1115694	PROTECTION VENTILATEUR DOUBLE (INCLUANT LES VIS)	2
/	17	S1116686	CARTE IMPRIMÉE PRINCIPALE DE LA COMMANDE À CAPTEURS INFRAROUGE POUR ALT4 (INCLUANT LA VISSERIE)	1
17	/	S1115691	CARTE IMPRIMÉE PRINCIPALE DE LA COMMANDE À CAPTEURS INFRAROUGE POUR GLA3/MTR3/ALT3 (INCLUANT LA VISSERIE)	1
/	18	S1116680	CONDENSATEUR 5uF VENTILATEUR DOUBLE POUR ALT4 (INCLUANT LA VISSERIE)	
18	/	S1115692	CONDENSATEUR 4uF VENTILATEUR DOUBLE POUR GLA3/MTR3/ALT3 (INCLUANT LA VISSERIE)	1
19	19	S1115697	COUVERCLE COMPARTIMENT ÉLECTRIQUE POUR VENTILATEUR DOUBLE – HOTTE 30 PO (INCLUANT LES VIS)	1
	/	S1116685	COUVERCLE COMPARTIMENT ÉLECTRIQUE VENTILATEUR DOUBLE – HOTTE 36 PO (INCLUANT LES VIS)	1
20	20	S97020204-002	FILTRE À GRAISSES – HYBRIDE – HOTTE DE 30 PO (ENSEMBLE DE 2)	1 ensemble
	/	S97020204-003	FILTRE À GRAISSES – HYBRIDE – HOTTE DE 36 PO (ENSEMBLE DE 2)	1 ensemble
21	21	S1115686	SACHET DE PIÈCES INCLUANT LES SUPPORTS EZ1	1 ensemble
/	22	S1116687	ADAPTATEUR/VOLET 3-1/4 PO X 14 PO (INCLUANT LES VIS)	1

## Garantie limitée

**Période de garantie et exclusions :** Broan NuTone LLC (la « Société ») ou Venmar Ventilation ULC et/ou son subsidiaire garantit au consommateur acheteur initial (« vous ») de son produit (le « Produit ») que celui-ci est exempt de tout vice de matériau ou de fabrication pour une période de un (1) an à compter de la date d'achat originale (ou toute période plus longue que pourrait exiger une loi applicable). Pour les hottes munies de modules à DEL intégrés, la Société garantit que les modules à DEL ainsi que le module d'alimentation DEL sont exempts de tout vice de matériau pour une période de trois (3) ans. La période de la garantie limitée sur toute pièce de remplacement fournie par la Société et sur tout produit réparé ou remplacé en vertu de la présente garantie limitée correspond au reste de la période de garantie originale (ou toute période plus longue que pourrait exiger une loi applicable). La présente garantie ne s'applique pas aux tubes fluorescents et aux démarreurs, ni aux ampoules halogènes, incandescentes ou DEL, fusibles, filtres, conduits, capuchons de toit, capuchons muraux et autres accessoires pour conduits pouvant avoir été achetés séparément et installés avec le produit. La présente garantie ne couvre pas (a) les travaux d'entretien et de service normaux, (b) l'usure normale, (c) tout produit ou toute pièce ayant fait l'objet d'une mauvaise utilisation, d'un abus, d'un usage anormal, d'une négligence, d'un accident, d'un entretien, rangement ou réparation inadéquats ou insuffisants (autre que par la Société), (d) les dommages dus à une mauvaise installation, ou à une installation ou utilisation contraires aux recommandations ou instructions, (e) tout produit déplacé de son lieu d'installation original, (f) les dommages dus à des éléments environnementaux ou naturels, (g) les dommages dus au transport, (h) l'usure naturelle du fini, (i) les produits utilisés à des fins commerciales ou non-résidentielles ou (j) les dommages dus à un incendie, à une inondation ou à un événement fortuit, (k) les produits dont les numéros de série ont été altérés, rendus illisibles ou enlevés. La présente garantie ne couvre que les produits vendus au consommateur initial aux États-Unis et au Canada par la Société ou par les distributeurs américains et canadiens autorisés par la Société.

La présente garantie remplace toute garantie précédente et le consommateur et acheteur initial ne peut la céder à quiconque.

**Aucune autre garantie :** La présente garantie limitée stipule les seules obligations de la Société et votre seul recours en cas de produits défectueux. La garantie ci-dessus est exclusive et remplace toute autre garantie, expresse ou tacite. **LA SOCIÉTÉ EXCLUT TOUTE AUTRE GARANTIE OU CONDITION EXPRESSE ET TOUTE GARANTIE OU CONDITION DÉCOULANT IMPLICITEMENT DE LA LOI, Y COMPRIS, SANS S'Y LIMITER, LES GARANTIES DE VALEUR MARCHANDE ET D'ADEQUATION A UN USAGE PARTICULIER.** Dans la mesure où la loi en vigueur interdit l'exclusion des garanties tacites ou conditions, la durée de toute garantie tacite est limitée à la période stipulée ci-dessus pour la garantie expresse. Certains territoires ou provinces interdisant de limiter la durée d'une garantie tacite, la limitation ci-dessus peut ne pas s'appliquer à votre situation. Toute description verbale ou écrite du produit a pour seule fin de l'identifier et ne doit pas être interprétée comme une garantie expresse.

Si possible, chaque disposition de cette garantie limitée doit être interprétée de sorte à être en vigueur et valide en vertu des lois applicables, mais si une disposition s'avère interdite ou invalide, elle le sera seulement dans la mesure de cette interdiction ou invalidité, sans invalider le reste de cette disposition ni les autres dispositions de la présente garantie limitée.

**Recours :** Pendant la période de garantie limitée applicable, la Société pourra, à son choix, fournir des pièces de rechange ou réparer ou remplacer, sans frais, tout produit ou toute pièce, dans la mesure où la Société constate qu'il est couvert et contrevient à la présente garantie limitée dans des conditions normales d'utilisation et de service. La Société vous enverra gratuitement le produit réparé ou remplacé ou les pièces de rechange. Vous êtes responsable des frais de démontage, de remontage, d'expédition, d'assurance ou de tous autres frais de transport pour l'envoi du produit ou de la pièce à la Société. Si vous devez envoyer le produit ou la pièce à la Société, tel que la Société vous l'indiquera, vous devrez l'emballer correctement. La Société n'est pas responsable des dommages subis lors du transport. La Société se réserve le droit d'utiliser des produits ou des pièces remis en état, remis à neuf, réparés ou réusinés dans le processus de réparation ou de remplacement sous garantie. Lesdits produits ou pièces seront comparables en fonction et en performance aux produits et pièces d'origine et seront garantis pendant le reste de la période de garantie originale (ou toute période plus longue que pourrait exiger une loi applicable).

La Société se réserve le droit, à son entière discrétion, de vous rembourser le prix que vous avez payé pour votre produit en lieu et place d'une réparation ou d'un remplacement. Si le produit ou le composant n'est plus offert, il sera remplacé par un produit de valeur égale ou supérieure, à l'entière discrétion de la Société. Cette mesure constitue votre recours exclusif en cas de violation de cette garantie limitée.

**Exclusion de dommages :** L'OBLIGATION DE LA SOCIÉTÉ DE FOURNIR DES PIÈCES DE RECHANGE, OU DE RÉPARER OU REMPLACER LE PRODUIT, A SON CHOIX, CONSTITUE VOTRE SEUL ET UNIQUE RECOURS EN VERTU DE LA PRÉSENTE GARANTIE LIMITÉE ET LA SEULE ET UNIQUE OBLIGATION DE LA SOCIÉTÉ. LA SOCIÉTÉ NE PEUT ÊTRE TENUE RESPONSABLE DE TOUT DOMMAGE INDIRECT, CONSECUTIF, ACCESSOIRE OU SPECIAL DÉCOULANT DE L'UTILISATION OU DU RENDEMENT DU PRODUIT. Les dommages accessoires comprennent, sans pour autant y être limités, la perte de temps et la privation de jouissance. Les dommages indirects comprennent, sans pour autant y être limités, le coût de réparation ou de remplacement des autres biens endommagés par le mauvais fonctionnement du produit.

**LA SOCIÉTÉ NE POURRA ÊTRE TENUE RESPONSABLE EN RIEN, NI À TOUTES PERSONNES, DE TOUTE OBLIGATION OU RESPONSABILITÉ INCLUANT SANS S'Y LIMITER, LES OBLIGATIONS OU RESPONSABILITÉS ÉMANANT D'UN BRIS DE CONTRAT OU D'UNE VIOLATION DE GARANTIE, LA NÉGLIGENCE OU AUTRE FORME DE PRÉJUDICE, OU TOUT AUTRE THÉORIE DE STRICTE RESPONSABILITÉ CONCERNANT LE PRODUIT, LES ACTIONS, OMISSIONS OU AUTRE DE LA SOCIÉTÉ.**

Certains territoires ou provinces ne permettant pas la limitation ou l'exclusion des dommages indirects ou consécutifs, la limitation ci-dessus peut ne pas s'appliquer à votre situation. La présente garantie vous confère des droits spécifiques reconnus par la loi. D'autres droits pourraient également vous être accordés selon la législation locale en vigueur.

La présente garantie ne couvre que le remplacement ou la réparation des produits ou pièces défectueux à l'usine principale de la Société et ne comprend pas les frais de voyage et ni les dépenses quotidiennes pour une réparation à domicile.

Toute aide que la Société vous fournit en dehors des dispositions, limitations ou exclusions de cette garantie limitée ne constituera en rien une renonciation auxdites dispositions, limitations ou exclusions, et ne prolongera aucunement cette garantie pas plus qu'elle ne la remettra en vigueur. Les conditions, exclusions et les limitations de responsabilités au titre de la présente garantie ne s'appliqueront pas dans la mesure où toute loi applicable l'interdit.

La Société ne vous remboursera aucune dépense encourue par vous pour la réparation ou le remplacement de tout produit défectueux, sauf celles que vous avez encourues avec la permission écrite préalable de la Société.

**Comment bénéficier du service de garantie :** Pour vous prévaloir de cette garantie, vous devez (a) aviser la Société à l'adresse ou au numéro de téléphone indiqués ci-dessus dans les sept (7) jours du constat de la défectuosité couverte, (b) donner le numéro de modèle du produit et le numéro d'identification de la pièce et (c) décrire la nature de la défectuosité du produit ou de la pièce. Lors de votre demande de garantie, vous devez présenter une preuve de la date d'achat originale. Si vous ne pouvez pas fournir une copie écrite de la garantie limitée originale, les dispositions de la garantie limitée écrite la plus récente de la Société concernant ce produit particulier s'appliqueront. Vous trouverez les garanties limitées écrites les plus récentes des produits de la Société sur les sites [www.broan-nutone.com](http://www.broan-nutone.com) et [www.broan-nutone.ca](http://www.broan-nutone.ca).

Broan-NuTone LLC 926 West State Street, Hartford, Wisconsin, USA 53027 Broan-NuTone.com 800-558-1711

Venmar Ventilation ULC, 550 Lemire Blvd., Drummondville, Québec, Canada J2C 7W9 Broan-NuTone.ca 800-567-3855