

24" Built In Wine Cellar (Right or Left Swing)

JBWFNR/L24RX



Features

Meticulously Engineered to Protect Wine

Get unparalleled preservation with consistent temperatures, consistent humidity control, anti-vibration technology and advanced UV protection through Ambra Lighting and UV barrier glass that helps filter out ultraviolet light.

UV-Protective Ambra Lighting

Enhance the visual appeal of your collection with the warm and inviting ambiance of Ambra lighting. Close the door to activate preservation mode: warding off harmful UV rays with the dual forces of Ambra Lighting and UV Barrier Glass.

Precise Fit Wine Racks

The contours of our robust black maple racks are designed to cradle any size bottle in your collection with Smooth Close rails to protect against vibration and sediment disruptions.

Presentation Platform

Luxuriously display three bottles alongside your finest stemware. The Presentation Platform is a statement piece for the artful connoisseur, where form meets function in luxurious harmony.

Personalize with Custom Panels

Indulge in endless design possibilities with Rise™ and Noir™ Stainless Steel panel kits, Elements Collection by JennAir and Nature Squared, Custom Leather Cuts, Customer Owned Materials or custom wood panel capability.



Product Details

Dimensions	23.78"W X 24.02"D x 83.46"H
Cavity Finish	Obsidian
Bottle Capacity	63 Bottles Up to 72 with Accessory Shelves
Lighting	White LED when Open Ambra Lighting when Closed
Racks	Maple Diamond-Shaped Dowels

Preservation

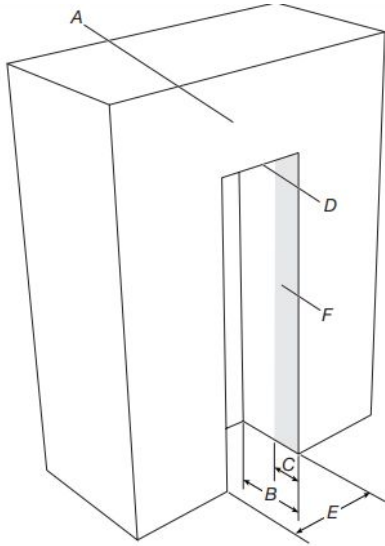
Cooling Zones	2 Zones: 39-64°F Range
Bottle Temp Swing	± 1°F
UV Protection	Ambra Lighting UV Protective Glass
Vibration Control	Detached Variable Capacity Compressor
Rack Glides	Smooth Close

24" Built In Wine Cellar (Right or Left Swing)

JBWFNR/L24RX

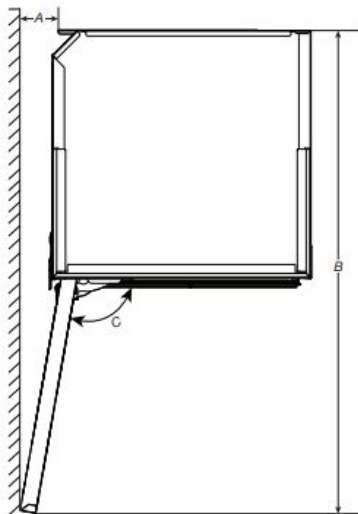


Cutout Dimensions



- A. Soffit
- B. 25" (635 mm)
- C. 8" (203 mm)
- D. 14" (356 mm) Upper furniture return
- E. Wine Cellar Width 24" (610 mm)
- F. Furniture return

Door Swing Requirements

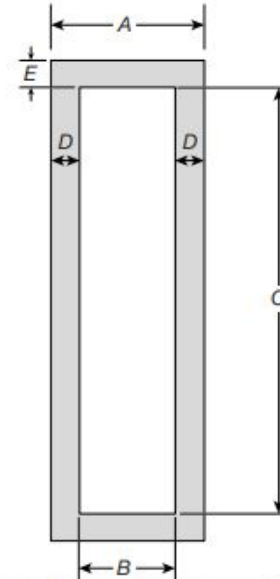


- A. Minimum distance from the wall (hinge side)
24" model: 4 1/4" (108 mm)
- B. Door-Swing Clearance 24" model: 46 3/4" (1187 mm)
- C. 105°

Panel & Join Kits

24" SS Panel Kits	Left Swing: JKWPHL24RL / M Right Swing JKWPHR24RL / M
Join Kits	Same Join Kits as Columns Handle to Hinge (LH, LH) JAJ12HSS Hinge to Handle (RH, RH) JAJ11HSS Handle to Handle (LH, RH) JAJ13HSS
Join Kit Extra Bracket for Wine	Wine to Column (Coming Soon) Wine to Wine (Coming Soon)
Toe Kick FAQ	Toe Kick Comes in Black (no SS) Dual Toe Kick Option Not Available for Wine Custom Toe Kick Optional but Hardware not Included <small>(Magnetic connections can be removed from Black toe kick)</small>

Custom Panel Dimensions



- A. 23 3/4" (604 mm) for 24" model
- B. 12 1/8" (326 mm) for 24" model
- C. 62" (1575 mm)
- D. 5 1/2" (139 mm)
- E. 7 1/8" (200 mm)

Panels can have thickness ranging between 3/4" (19 mm) and 1 1/8" (28 mm).

IMPORTANT: Custom wood panels must have a minimum of 3/4" (19 mm) material at all the hardware locations.

Maximum allowable door panel weight is 34 kg (75 lbs).

Resources

[Owner's Manual](#)

[Dimensions](#)

[Quick Start Guide](#)