

# Prima

## AP 690

Woofer 300 W Peak Power 6? x 9? 4 ohm

AP 690 is ideal for car models with doors equipped to house elliptical speakers. The R & amp;D team optimized the electro-acoustic parameters for installation in the car door, respecting all the characteristics of the Prima speakers, such as the compact size of the basket to facilitate installation. The mechanical cut-off of the woofer cone-dust cap system ensures they can be used without a filter, maximizing efficiency to be easily driven by any type of amplifier. The large voice coil ensures high power handling and impeccable control even in the most aggressive dynamic transients. The double Faston connectors with direct link to the tweeter speed up the speakers connection, always ensuring a perfect contact.



### TECHNICAL SPECS

Nominal diameter Inch	27.17 in
Nominal diameter	690 mm
Impedance	4
Power Handling - Peak	300 W
Power Handling - Continuous	100 W
Sensitivity	95 dB
Frequency Response	40 - 5 k Hz
Magnet Material	HIGH DENSITY FLUX FERRITE
Magnet size D x d x h	90 x 32 x 15 mm (in.)
Cone Material	WATER-REPELLENT TREATED PAPER CONE
Xmax Inch	0.16 in
Xmax	4 mm

### ELECTRIC-ACOUSTIC SPECS

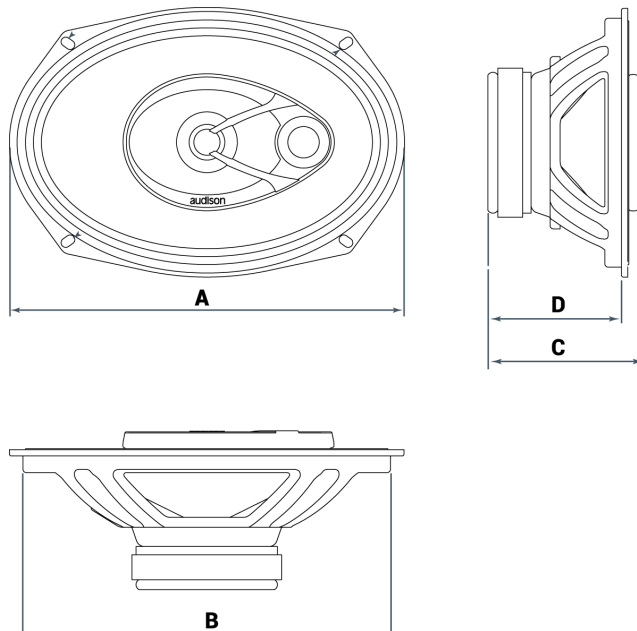
Re	3.1 Ohm
Fs	55 Hz
Le	0.2 mH
Vas Ft	1.31 ft
Vas	37.1 l
Mms Oz	0.6 oz
Mms	17 g
Cms	0.5 mm/N

BL	5.3 T•m
Qts	0.6
Qms	7

## GENERAL

Weight	1.17 kg
--------	---------

## DIMENSIONS

	
Dimension A Inch	9.37 in
Dimension A	238 mm
Dimension B Inch	8.74 in
Dimension B	222 mm
Dimension C Inch	3.39 in
Dimension C	86 mm
Dimension D Inch	3.19 in
Dimension D	81 mm