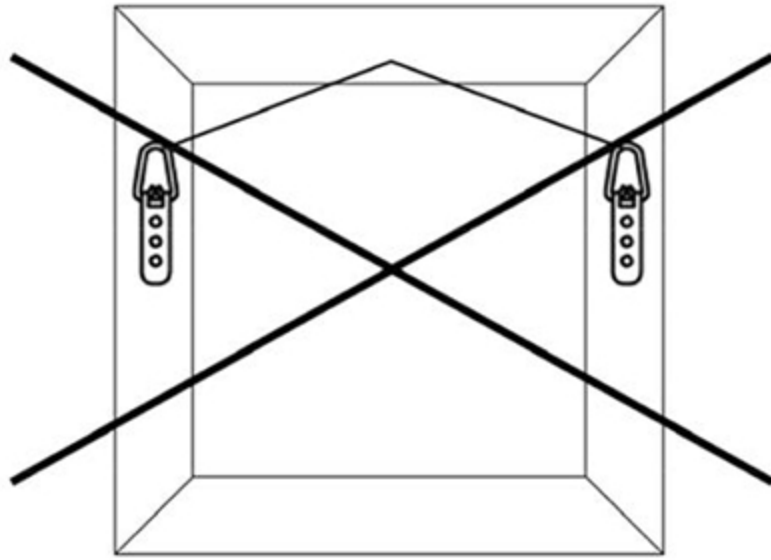
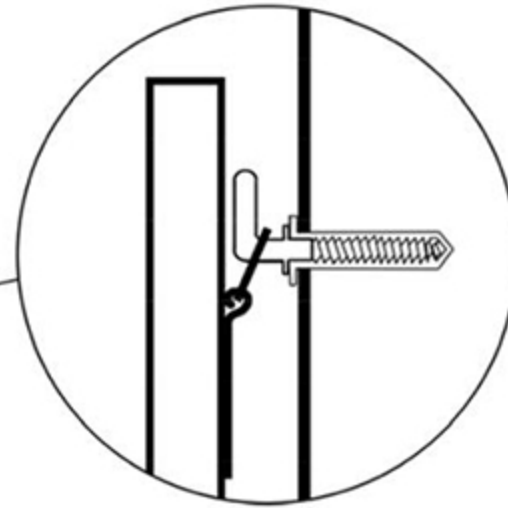
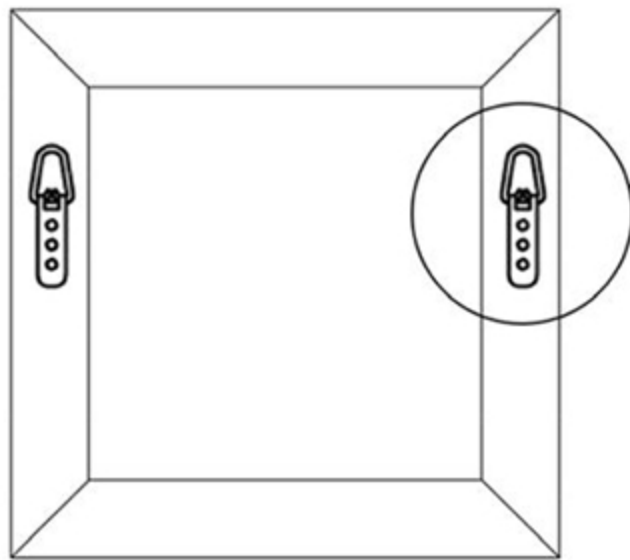


IMPORTANT NOTICE

Hanging Instructions for Mirrors with Strap Hangers



Do NOT hang mirror by
picture wire or chain



Strap Hanger

Hang by the two strap hangers
directly onto adequate hooks
securely fixed to the wall.

Never hang a mirror on damp wall
as the backboard of the mirror will
distort and possibly also cause damage
to the mirror itself.

If in any doubt consult a competent Installation Specialist.