



Toyota Camry 2021-2024

Visit MetraOnline.com for more detailed information about the product and up-to-date vehicle specific applications

KIT FEATURES

- Designed for Pioneer modular radios with the 9" screen
- Note** – see manufacturer for current models.
- Painted high-gloss black

KIT COMPONENTS

- A) Radio housing back panel • B) Pioneer chassis brackets • C) Pioneer screen brackets • D) Factory 9" screen trim panel
- E) Factory 7" screen trim panel • F) Panel clip mounts • G) (8) #8 x 3/8" Phillips screws • H) (4) #4 x 3/8" Phillips screws

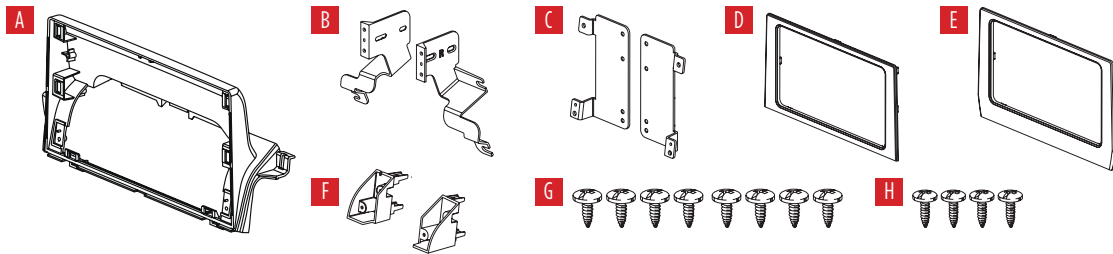


TABLE OF CONTENTS

Dash Disassembly	2-3
Kit Assembly	4-5

WIRING & ANTENNA CONNECTIONS (sold separately)

Wiring Harness: Visit metraonline.com for audio/video and steering wheel control interface options.
Antenna Adapter: 40-LX11

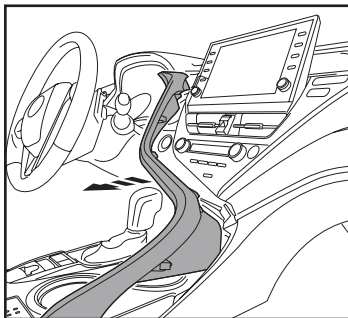
TOOLS REQUIRED

- Panel removal tool • Phillips screwdriver
- 10mm Socket wrench

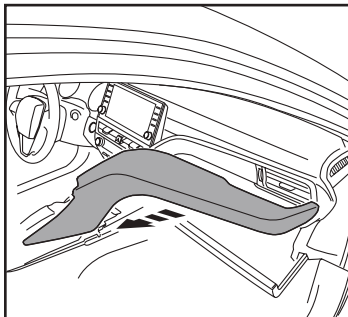
Attention! With the key out of the ignition, disconnect the negative battery terminal before installing this product. Ensure that all installation connections are secure before cycling the ignition to test this product.

DASH DISASSEMBLY

1. Unclip and remove the dashboard trim panel below the climate controls. (Figure A)
2. Unclip and remove the lower dashboard trim panel directly above the glovebox. (Figure B)



(Figure A)

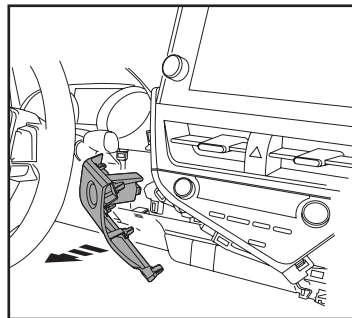


(Figure B)

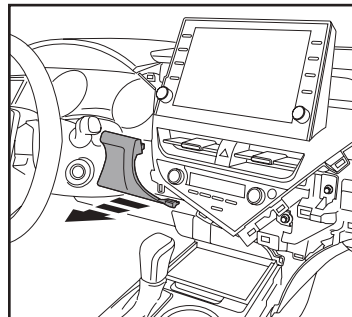
2. **For models with a push button start:** Unclip the Start/Stop button trim panel and set it to the side. (Figure C)

For models without a push button start: Unclip and remove the trim panel to the left of the radio/climate control panel. (Figure D)

Continued on the next page



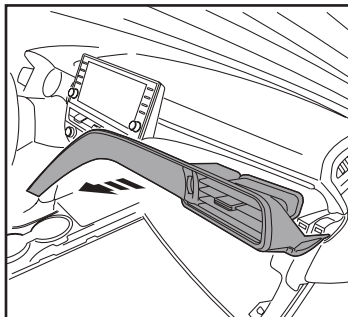
(Figure C)



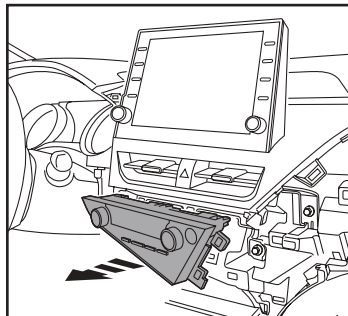
(Figure D)

DASH DISASSEMBLY (CONT.)

4. Unclip and remove the upper dashboard trim panel with passenger A/C vent. (Figure E)
5. Unclip and remove the climate controls (Figure F)



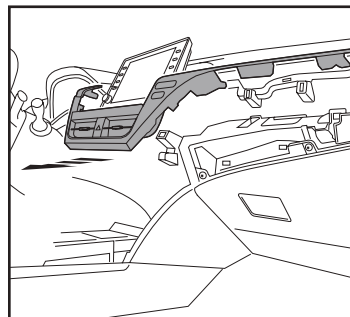
(Figure E)



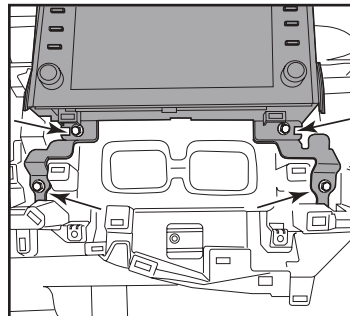
(Figure F)

6. Unclip and remove the A/C vent trim panel including the passenger air bag light. (Figure G)
7. Remove (4) 10mm screws securing the radio panel, then unplug and remove the panel. (Figure H)

Continue to Kit Preparation



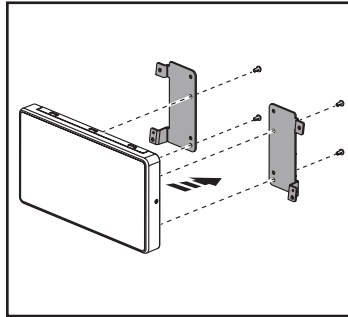
(Figure G)



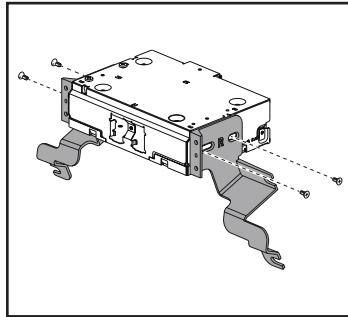
(Figure H)

KIT ASSEMBLY

1. Attach the **Pioneer screen brackets** to the Pioneer screen. **Note:** The screen brackets are marked for 9 inch screen. The other holes are for the 6.8 inch screen. (Figure A)
2. Attach the **Pioneer chassis brackets** to the Pioneer radio chassis. (Figure B)



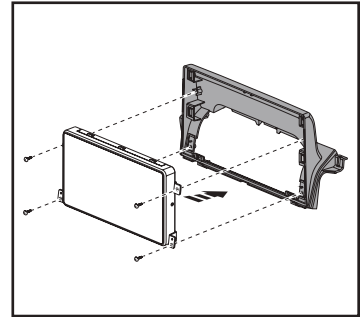
(Figure A)



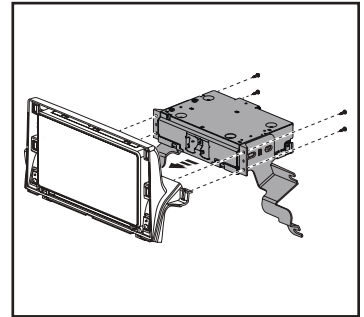
(Figure B)

3. Connect the cable from the chassis to the Pioneer radio screen then attach the screen to the **radio housing back panel** using (4) #8 x 3/8" Phillips screws supplied. (Figure C)
4. Attach the Pioneer radio chassis to the **radio housing back panel** using (4) #8 x 3/8" Phillips screws supplied. (Figure D)

Continued on the next page



(Figure C)



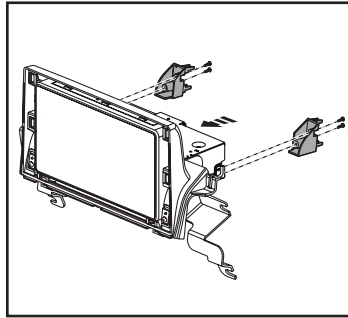
(Figure D)

KIT ASSEMBLY (CONT.)

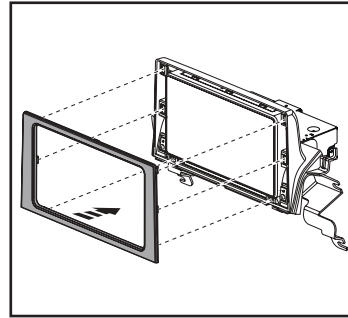
5. Attach the **clip brackets** to the **radio housing back panel** using (4) #4 x 3/8" Phillips screws supplied. (Figure E)
6. Remove (5) factory clips from the factory radio housing and attach to the **radio housing back panel**.
7. Attach (6) **panel clips** to the **factory 9" screen trim panel** then clip it onto the **radio housing back panel**. (Figure F)

Note: For **factory 7" screen trim panel** attach (6) **panel clips** to the **radio housing back panel**. (Figure G)

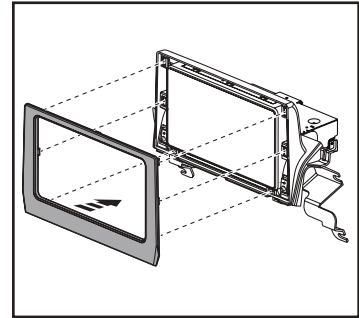
8. Reassemble the dash in reverse order of disassembly to complete the installation.



(Figure E)



(Figure F)



(Figure G)



109-T08HG

INSTALLATION INSTRUCTIONS



Having difficulties? We're here to help.



Contact our Tech Support line at:

386-257-1187



Or via email at:

techsupport@metra-autosound.com

Tech Support Hours (Eastern Standard Time)

Monday - Friday: 9:00 AM - 7:00 PM

Saturday: 10:00 AM - 5:00 PM

Sunday: 10:00 AM - 4:00 PM



**Metra recommends MECP
certified technicians**