

# JennAir® RISE™ 36" Professional Induction Range

## JPIFC736RL



### Features

#### Knob-Controlled Cooking

Elevate your cooking experience by controlling power settings from the palm of your hand. The Halo-Effect knobs with LED backlighting glow softly, providing intuitive feedback.

#### Flex-Choice™ Zones with Assisted Cooking

Flex-Choice induction zones can be used as two separate elements or a single, large surface to meet your culinary needs on demand. For added control, Assisted Cooking modes select an optimal power level for simmering, melting, or keeping warm.

#### Edge to Edge Oblivion Glass Design

The surface of this range has a sleek and clean aesthetic with an edge to edge black glass design.

#### Culinary Center with Remote Access

With real time notifications, remote access and control, and step-by-step support, savor the full culinary experience backed by customized algorithms, featuring full-color food photography, doneness levels, pan types and menu-specific tips.

#### Dual-Fan True Convection

Steady heat, circulated by whirling metal blades, weaves around every flat tine. Beyond baking, wield your cooking prowess with the help of the culinary center through the app, from marbled meats to succulent roasts.



\*Preliminary Claims Subject to Change and Prototype Imagery

### Product Details

Dimensions	35 7/8" W x 36" H x 27 11/16" D
Cutout Dimensions	36" W x 36" H x 24" D (base cabinet)
Finish	NOIR™ Design Expression
Capacity	5.1 Cu Ft
Cooktop Specs	L Front 2100W/3700W <sub>(boost)</sub> L Rear 2100W/3700W <sub>(boost)</sub> C Front 2100W/3700W <sub>(boost)</sub> C Rear 2100W/3700W <sub>(boost)</sub>

### Accessories

W11719755	Trim Kit, SS
W10115776	Range Backsplash
W10285448	36" Range SS Backsplash

# JennAir® RISE™ 36" Professional Induction Range

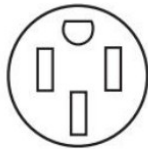
## JPIFC736RL



### Electrical

To properly install your range, you must determine the type of electrical connection you will be using and follow the instructions provided in Owners Manual

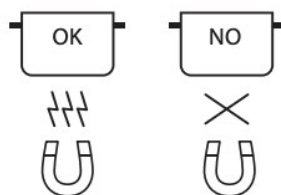
- When a 4-wire, single-phase 240 V, 60 Hz, AC only electrical supply is available, a 40 A minimum circuit protection is required on 30" (76.2 cm). On the 36" (91.4 cm) ranges and the 48" (121.9 cm) ranges a minimum circuit protection of 50 A is required.
- NOTE:** If your home does not have a 4-wire system, consult your local qualified electrician.
- A time-delay fuse or circuit breaker is recommended.
- This range is equipped with a UL or CSA International Certified Power Cord intended to be plugged into a standard 14-50R wall receptacle. Be sure the wall receptacle is within reach of range's final location.



- Do not use an extension cord.
- The wiring diagram is located on the back of the range or in a clear plastic bag.

### Induction Cookware

#### POTS AND PANS



Only use pots and pans made from ferromagnetic material which are suitable for use with induction cooktop:

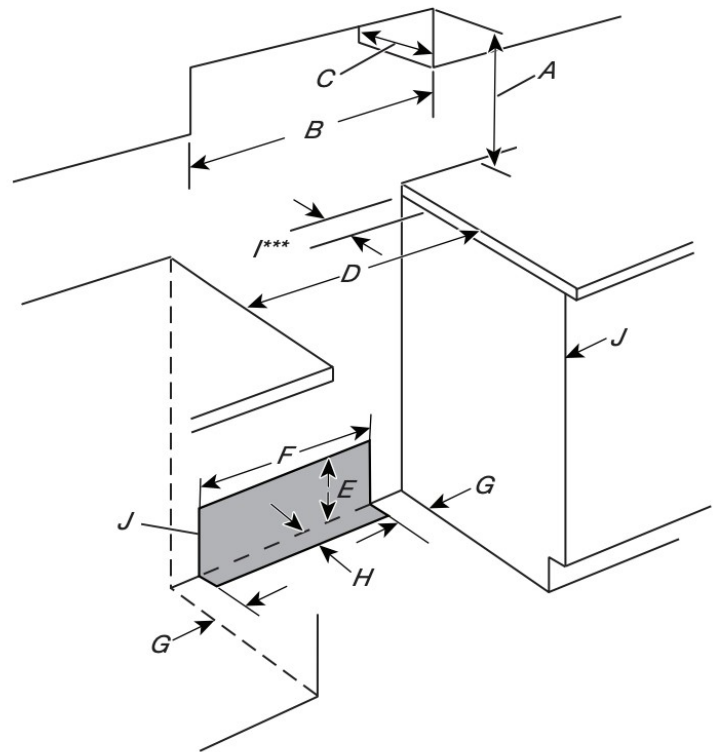
- Enameled steel.
- Cast iron
- Stainless steel designed for induction cooktops.

### Cutout Dimensions

#### Cabinet Requirements

Cabinet opening dimensions shown are for 25" (64.0 cm) countertop depth, 24" (61.0 cm) base cabinet depth, and 36" (91.4 cm) countertop height. Dimensions must be met in order to ensure a flush fit to back wall.

**IMPORTANT:** If installing a range hood, hood liner, or microwave hood combination above the cooking surface, follow the range hood or microwave hood combination installation instructions for dimensional clearances above the cooking surface.



- A. For minimum clearance to top of range.\*\*
- B. 30" (76.2 cm) model: 30" (76.2 cm) minimum upper cabinet width  
36" (91.4 cm) model: 36" (91.4 cm) minimum upper cabinet width  
48" (121.9 cm) model: 48" (121.9 cm) minimum upper cabinet width
- C. 13" (33 cm) maximum upper cabinet depth
- D. 30" (76.2 cm) on 30" (76.2 cm) models  
36" (91.4 cm) on 36" (91.4 cm) models  
48" (121.9 cm) on 48" (121.9 cm) models
- E. 15" (38.1 cm)
- F. 22" (55.9 cm) on 30" (76.2 cm) models  
28" (71.1 cm) on 36" (91.4 cm) models  
40" (101.6 cm) on 48" (121.9 cm) models
- G. 4" (10.1 cm)
- H. 5" (12.7 cm)
- I. 6" (15.2 cm)\*\*\*
- J. Electrical installation area\*

\*Preliminary subject to change