



Scan to see the online manual.



OWNER'S MANUAL

GAS RANGE

Read this owner's manual thoroughly before operating the appliance and keep it handy for reference at all times.

ENGLISH

LSGL6337* / LSGL6335*



MFL68920584
Rev.01_020525

www.lg.com

Copyright © 2025 LG Electronics. All Rights Reserved

Safety for a Gas Range

WARNING: If the information in these instructions is not followed exactly, a fire or explosion may result causing property damage, personal injury or death.

- Do not store or use gasoline or other flammable vapors and liquids in the vicinity of this or any other appliance.
- **WHAT TO DO IF YOU SMELL GAS**
 - Do not try to light any appliance.
 - Do not touch any electrical switch.
 - Do not use any phone in your building.
 - Immediately call your gas supplier from a neighbor's phone. Follow the gas supplier's instructions.
 - If you cannot reach your gas supplier, call the fire department.
- Installation and service must be performed by a qualified installer, service agency, or the gas supplier.



WARNING:

Never Operate the Top Surface Cooking Section of this Appliance Unattended.

- Failure to follow this warning statement could result in fire, explosion, or burn hazard that could cause property damage, personal injury, or death.
- If a fire should occur, keep away from the appliance and immediately call your fire department.

DO NOT ATTEMPT TO EXTINGUISH AN OIL/GREASE FIRE WITH WATER.

TABLE OF CONTENTS

5 IMPORTANT SAFETY INSTRUCTIONS

5 READ ALL INSTRUCTIONS BEFORE USE

- 5 Safety Messages
- 5 Anti-tip Device

6 WARNING

- 6 Installation
- 7 Operation
- 8 Maintenance
- 8 Grounding Instructions
- 8 Risk of Fire and Flammable Materials

9 CAUTION

- 9 Installation
- 9 Operation
- 9 Maintenance

10 PRODUCT OVERVIEW

10 Product Features

- 10 Exterior & Interior
- 10 Product Specifications
- 11 Accessories

12 INSTALLATION

12 Before Installing

- 12 Tools Needed
- 12 Parts
- 12 In the Commonwealth of Massachusetts
- 12 Unpacking and Moving the Range

13 Choosing the Proper Location

- 14 Dimensions and Clearances
- 15 Ventilation
- 15 Flooring
- 16 Ambient Temperature

16 Leveling

- 16 Leveling the Range

16 Connecting Gas

- 16 Providing Adequate Gas Supply
- 16 Connecting the Range to Gas
- 18 Adjusting Air Shutters (for LP Conversions)

18 Connecting Electricity

- 18 Electrical Requirements

- 18 Grounding

18 Surface Burners

- 18 Assembling the Surface Burners
- 19 Checking Ignition of the Surface Burners
- 19 Adjusting the Surface Burner to the Low Flame (Simmer) Setting

20 Optional Rear Filler

- 20 Installing the Rear Filler

20 Anti-tip Device

- 20 Installing the Anti-tip Device

21 Test Run

- 21 Test the Range Before Use

23 OPERATION

23 Control Panel

- 23 Control Panel Features
- 24 Knob/Display Lighting (Model LSG6337*)

24 Changing Oven Settings

- 24 Clock
- 25 Oven Light
- 25 Timer On/Off
- 25 Wi-Fi
- 25 Settings (Hour Mode, Convection Auto Conversion, Calibrating the Oven Temperature, Preheat Alarm Light, Beeper Volume, Fahrenheit or Celsius, Wi-Fi On/Off)
- 27 Control Lock
- 27 Start Time (Delayed Timed Cook)
- 28 Cook Time (Timed Cook)
- 29 Minimum & Maximum Default Settings

30 Gas Surface Burners

- 30 Before Using the Gas Surface Burners
- 31 Burner Locations
- 31 Using the Gas Surface Burners
- 32 Using the Knob Lock
- 33 Setting the Flame Size
- 33 Using the Proper Cookware
- 33 Using a Wok
- 33 Using the Wok Grate
- 34 Using Stove-Top Grills
- 34 Using the Griddle
- 35 In Case of Power Failure

35 Oven

- 35 Before Using the Oven
- 36 Oven Vent
- 36 Using Oven Racks
- 37 Instaview
- 37 Bake
- 38 Convection Mode
- 39 Recommended Baking and Roasting Guide
- 40 Broil
- 42 Recommended Broiling Guide
- 43 Proof
- 44 Warm
- 44 Keep Warm
- 45 Air Fry
- 46 Recommended Air Frying Guide
- 47 Air Sous-Vide (Model LSGL6337*)
- 48 Recommended Air Sous-Vide Guide
- 48 Frozen Meal
- 49 Slow Cook (Model LSGL6335*)
- 49 Remote Start
- 49 Meat Probe (Model LSGL6337*)
- 51 Using the Sabbath Mode

52 SMART FUNCTIONS**52 LG ThinQ Application**

- 52 LG ThinQ Application Features
- 52 Installing LG ThinQ Application and Connecting an LG Appliance
- 53 Installing the LG ThinQ Application
- 53 Connecting to Wi-Fi
- 53 RF Module Specifications
- 53 FCC Statement
- 54 FCC RF Radiation Exposure Statement
- 54 Open Source Software Notice Information

54 Smart Diagnosis™ Feature

- 54 Using LG ThinQ to Diagnose Issues
- 54 Using Audible Diagnosis to Diagnose Issues

55 MAINTENANCE**55 Cleaning**

- 55 Interior

- 55 Exterior

- 57 Gas Surface Burners

- 58 EasyClean

- 61 Self Clean

- 63 Removing/Assembling Lift-Off Oven Doors

- 64 Removing/Assembling Drawers

- 65 Removing/Assembling the Vent Trim

65 Periodic Maintenance

- 65 Changing the Oven Light

67 TROUBLESHOOTING**67 FAQs**

- 67 Frequently Asked Questions

69 Before Calling for Service

- 69 Cooking
- 71 Parts & Features
- 73 Noises
- 73 Wi-Fi

75 LIMITED WARRANTY**75 USA**

- 75 TERMS AND CONDITIONS

- 75 THIS LIMITED WARRANTY DOES NOT COVER:

- 80 PROCEDURE FOR RESOLVING DISPUTES:

IMPORTANT SAFETY INSTRUCTIONS

READ ALL INSTRUCTIONS BEFORE USE

Download this owner's manual at <http://www.lg.com>

Safety Messages

Your safety and the safety of others are very important.

We have provided many important safety messages in this manual and on your appliance. Always read and follow all safety messages.



This is the safety alert symbol.

This symbol alerts you to potential hazards that can kill or injure you and others. All safety messages will follow the safety alert symbol and either the word **WARNING** or **CAUTION**.

These words mean:



WARNING

You may be killed or seriously injured if you do not follow instructions.



CAUTION

You may be injured or cause damage to the product if you do not follow instructions.

All safety messages will tell you what the potential hazard is, tell you how to reduce the chance of injury, and tell you what may happen if the instructions are not followed.

Anti-tip Device

To reduce the risk of tipping, the appliance must be secured by a properly installed anti-tip device. To check if the device is installed properly, verify that the anti-tip device is engaged, or grasp the top rear edge of the range back guard and carefully attempt to tilt it forward. Refer to the installation section for instructions.

WARNING

- A child or adult can tip the range and be killed.

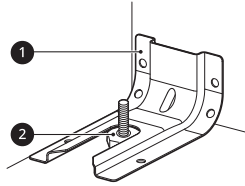


- Install the anti-tip device to the structure and/or the range. Verify the anti-tip device has been properly installed and engaged by following the guide on the anti-tip bracket template.
- Engage the range to the anti-tip device by following the guide on the anti-tip bracket template. Ensure the anti-tip device is re-engaged when the range is moved by following the guide on the anti-tip bracket template.
- Re-engage the anti-tip device if the range is moved. Do not operate the range without the anti-tip device in place and engaged.
- See installation instructions for details.
- Failure to do so can result in death or serious burns to children or adults.
- Do not rest large, heavy items such as whole turkeys on the open oven door. The range could tip forward and cause injury.

6 IMPORTANT SAFETY INSTRUCTIONS

⚠ WARNING

- Do not step or sit on the oven door. The range could be tipped and injury might result from spilled hot liquid, food, or the range itself.
- Never remove the oven legs. The range will not be secured to the anti-tip bracket if the legs are removed.



- ① Anti-tip bracket
- ② Leveling leg

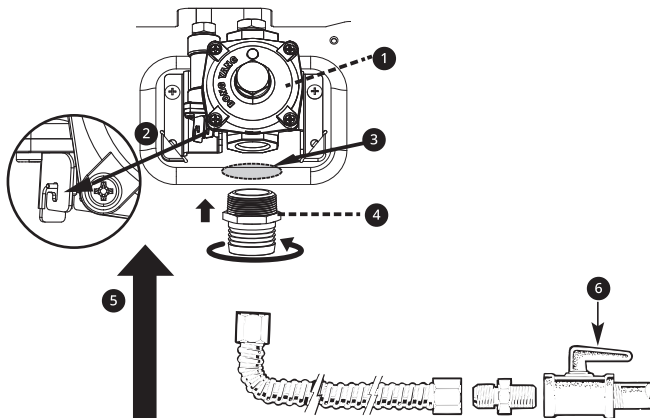
WARNING

⚠ WARNING

- To reduce the risk of explosion, fire, death, electric shock, injury or scalding to persons when using this product, follow basic precautions, including the following:

Installation

- Do not attempt to open or close the door or operate the oven until the door is properly installed.
- Have the installer show you the location of the range gas shut-off valve and how to shut it off if necessary.
- To shut off the gas supply to the range, close the range gas shut-off valve by turning it clockwise.



- ① Pressure regulator
- ② Lever open (use) position
- ③ Remove the label
- ④ Adapter (1/2"-14 NPT)
- ⑤ Gas flow into range
- ⑥ Range gas shut-off valve

- Make sure your range is properly installed and grounded by a qualified installer, according to the installation instructions. Any adjustment and service should be performed only by qualified gas range installers or service technicians.
- Make sure your range is properly adjusted by a qualified service technician or installer for the type of gas (natural or LP) that is to be used. Your range can be converted for use with either type of gas. See the installation instructions.
- These adjustments must be done by a qualified service technician according to the manufacturer's instructions and all codes and requirements of the authority having jurisdiction. Failure to follow these instructions could result in serious injury or property damage. The qualified agency performing these adjustments assumes responsibility for the conversion.
- Disconnect the electrical supply before servicing the appliance.

- This product should not be installed below ventilation type hood systems that direct air in a downward direction.
 - Doing so may cause ignition and combustion problems with the gas burners resulting in personal injury and may affect the cooking performance of the unit.
- To prevent poor air circulation, place the range out of the kitchen traffic path and out of drafty locations.

Operation



WARNING

NEVER cover any slots, holes or passages in the oven bottom or cover an entire rack with materials such as aluminum foil. Doing so blocks air flow through the oven and may cause carbon monoxide poisoning. Aluminum foil linings may also trap heat, causing a fire hazard.



WARNING

NEVER use this appliance as a space heater to heat or warm the room. Doing so may result in carbon monoxide poisoning and overheating of the oven.

- Gas appliances can cause minor exposure to four potentially harmful substances, namely benzene, carbon monoxide, formaldehyde and soot, caused primarily by the imperfect combustion of natural or LP gas. Correctly adjusted burners, indicated by a bluish rather than a yellow flame, will minimize imperfect combustion.
 - Exposure to these substances can be minimized by opening windows or using a ventilation fan or hood.
- Let the burner grates and other surfaces cool before touching them.
- Never block the vents (air holes) of the range. They provide the air inlet and outlet necessary for the range to operate properly with correct combustion.
 - Air openings are located at the rear of the cooktop, at the top and bottom of the oven door, and at the bottom of the range.
- Never obstruct the flow of combustion and ventilation air by blocking the oven vent or air intakes. Doing so restricts air to the burner and may result in carbon monoxide poisoning.
- Stepping, leaning or sitting on the doors or drawers of this range can result in serious injuries and also cause damage to the range. Do not allow children to climb or play around the range. The weight of a child on an open door may cause the range to tip, resulting in serious burns or other injury.
- Never place fingers between the door hinge and front oven frame. Hinge arms are spring mounted. If accidentally hit, the hinge will slam shut against the oven frame and injure your fingers.
- Do not leave children alone or unattended where a range is hot or in operation. They could be seriously burned.
- Do not let anyone climb, stand or hang on the oven door, warming drawer or cooktop. They could damage the range or tip it over, causing severe personal injury.
- Do not stand or place excessive weight on the open oven door. This could tip the range, break the door, or injure the user.
- To prevent fire hazard or electrical shock, do not use an adapter plug or an extension cord, or remove the grounding prong from the electrical power cord. Doing so can result in death or serious burns to children or adults.
- Make sure that all packaging materials are removed from the range before operating it to prevent fire or smoke damage should the packaging material ignite.
- When opening the door of a hot oven, stand away from the range. The hot air and steam that escape can cause burns to hands, face and eyes.
- Do not heat food in closed containers. Pressure inside the container could increase and cause the container to burst, resulting in injury.

8 IMPORTANT SAFETY INSTRUCTIONS

- Do not line oven walls or bottom with aluminum foil or allow them to contact exposed heating elements in the oven. Doing so could create a fire hazard or cause damage to the range.
- During oven operation, the upper surface of the drawer cavity becomes hot and may cause burns. Never allow children to remain unsupervised near the oven or cooktop.
- Do not put your hand inside the drawer while the oven is operating.

Maintenance

- Large scratches or impacts to glass doors can lead to broken or shattered glass.
- Items of interest to children should not be placed in cabinets above the range or on the backsplash of the range.
 - Children climbing on the range to reach items could be seriously injured.
- Do not attempt to repair or replace any part of your range unless it is specifically mentioned in this manual. All other service should be referred to a qualified technician.

Grounding Instructions

- Plug your range into a 120-volt grounded outlet only. Do not remove the round grounding prong from the plug. If in doubt about the grounding of the home electrical system, it is your personal responsibility and obligation to have an ungrounded outlet replaced with a properly grounded, three-prong outlet in accordance with the National Electrical Code. Do not use an extension cord with this range.

Risk of Fire and Flammable Materials

- Never wear loose fitting or hanging garments while using the appliance. Be careful when reaching for items placed in cabinets over the range. Flammable materials could be ignited if brought in contact with flame or hot oven surfaces and may cause severe burns.
- Do not place or use combustible materials such as gasoline or other flammable vapors and liquids in the vicinity of this or any other appliance.
- Do not place flammable materials in the oven or near the cooktop.
- Do not allow cooking grease or other flammable materials in or near the range.
- Do not use water on grease fires. Never touch a flaming pan. Turn the controls off. Smother a flaming pan on a surface burner by covering the pan completely with a well-fitting lid, cookie sheet or flat tray. Use a multi-purpose dry chemical or foam-type fire extinguisher.
 - A grease fire can be put out by covering it with baking soda or, if available, by using a multi-purpose dry chemical or foam-type fire extinguisher.
 - Flame in the oven or the drawer can be smothered completely by closing the oven door or drawer and turning the control to off or by using a multi-purpose dry chemical or foam-type fire extinguisher.
- Leak testing of the appliance must be conducted according to the manufacturer's instructions.
- Gas leaks may occur in the system and result in a serious hazard. Gas leaks may not be detected by smell alone. Gas suppliers recommend you purchase and install a UL approved gas detector. Install and use in accordance with the gas detector manufacturer's instructions.
- When using a broiler pan, make sure to place it correctly to minimize the possibility of grease fires.
- Always remove a broiler pan from the range after you finish broiling. Grease left in the pan can catch fire if the oven is used without removing the grease from the broiler pan.
- If you have a grease fire in a broiler pan, turn off the cooking function being used and keep the oven door closed to contain the fire until it burns out.
- If meat is too close to the flame while broiling, the fat may ignite. Trim excess fat to prevent excessive flare-ups.

CAUTION

CAUTION

- To reduce the risk of minor injury to persons, malfunction, or damage to the product or property when using this product, follow basic precautions, including the following:

ENGLISH

Installation

- After using your range for an extended period of time high floor temperatures may result. Many floor coverings will not withstand this kind of use. Never install the range over vinyl tile or linoleum that cannot withstand such type of use. Never install it directly over interior kitchen carpeting.

Operation

- Do not use the oven for storing food or cookware. Items stored in the oven can catch on fire.
- To prevent damage to the oven door, do not attempt to open the door when Lock is displayed (on some models).
- Do not use delayed baking for highly perishable foods such as dairy products, pork, poultry, or seafood.
- Keep the oven free from grease buildup.
- Insert the oven racks in the desired position while the oven is cool.
- To prevent burns when removing food, slide racks out until the stop engages, then remove food items. This may also protect you from getting burned by touching hot surfaces of the door or oven walls.
- When placing or removing a griddle, always wear oven mitts.
- When using cooking or roasting bags in the oven, follow the manufacturer's directions.
- Use only glass cookware that is recommended for use in gas ovens.
- For safety and better cooking performance, always bake and broil with the oven door closed. Open door baking or broiling can cause damage to the knobs or valves. Do not leave the oven door open during cooking or while the oven is cooling down.

Maintenance

- Do not use commercial oven cleaners on the oven finish or around any part of the oven. They will damage the finish.
- To prevent staining or discoloration, clean the appliance after each use.
- Wear gloves when cleaning the range to avoid injury or burns.
- Clean in the self-clean cycle only parts listed in this manual. Before self-cleaning the oven, remove the broiler pan, all oven racks, the meat probe and any utensils or food from the oven.

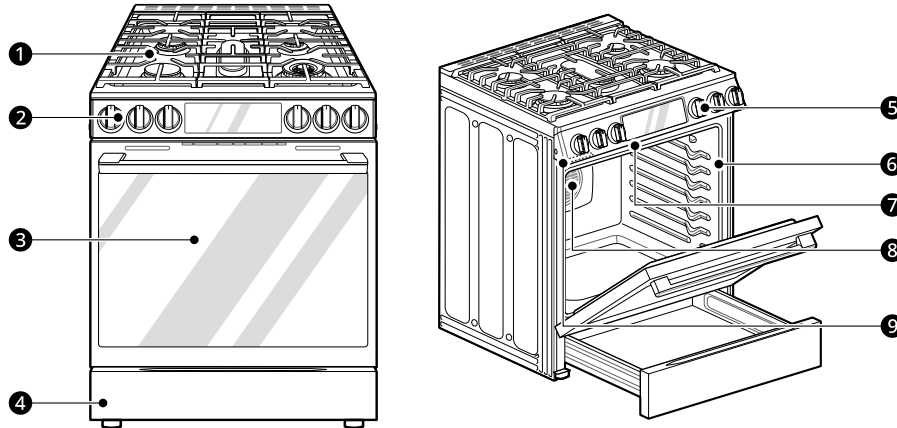
SAVE THESE INSTRUCTIONS

10 PRODUCT OVERVIEW

PRODUCT OVERVIEW

Product Features

Exterior & Interior



- ❶ Cooktop
- ❷ Cooktop Controller
- ❸ Oven Door
- ❹ Storage Drawer
- ❺ Oven Mode Knob
- ❻ Gasket
- ❼ Broil Burner
- ❽ Convection Burner
- ❾ Model & Serial Number Plate

Product Specifications

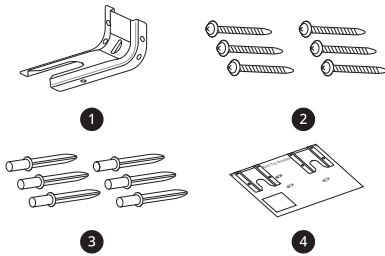
The appearance and specifications listed in this manual may vary due to constant product improvements.

Oven Range Models	LSGL6337*, LSGL6335*
Description	Gas Slide In Oven Range
Electrical requirements	0.5 kW 120 VAC
Exterior Dimensions	29 7/8" (W) x 37 1/8" (H) x 26 7/8" (D) (D with door closed) 75.9 cm (W) x 94.3 cm (H) x 68.3 cm (D) (D with door closed)
Height to cooking surface	37 1/8" (94.3 cm)
Total capacity	6.3 cu. ft.

Accessories

Included Accessories

Anti-tip Kit



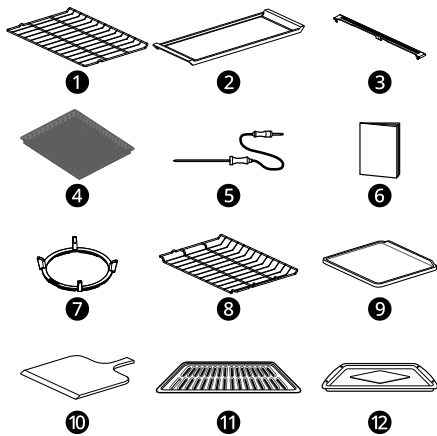
- ❶ Anti-tip Bracket (1 ea)
- ❷ Screws (6 ea)
- ❸ Anchors (6 ea)
- ❹ Template (1 ea)

LP Nozzle Conversion Kit



- ❶ Cooktop Nozzles
 - LSG6337* : 6 ea
 - LSG6335* : 5 ea
- ❷ Oven Nozzles (2 ea)
- ❸ Installation Guide (1 ea)

Other Accessories



- ❶ Heavy Duty Rack (1 ea)
- ❷ Griddle (1 ea)
- ❸ Rear Filler (1 ea)

- ❹ Air Fry Tray (1 ea)
- ❺ Meat Probe (1 ea)
 - LSG6337* model only
- ❻ Owner's Manual (1 ea)
- ❼ Wok Grate (1 ea)
 - LSG6337* model only
- ❽ Offset Rack (1 ea)
- ❾ Pizza Stone (1 ea)
 - LSG6337* model only
- ❿ Peel (1 ea)
 - LSG6337* model only
- ⓫ Grid (1 ea)
- ⓬ Broiler Pan (1 ea)

NOTE

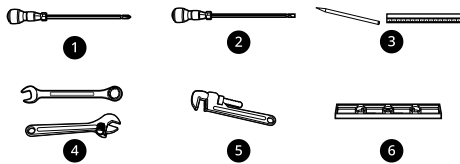
- Contact LG Customer Service at 1-800-243-0000 (1-888-542-2623 in Canada) if any accessories are missing.
- For your safety and for extended product life, only use authorized components.
- The manufacturer is not responsible for product malfunction or accidents caused by the use of separately purchased, unauthorized components or parts.
- The images in this guide may be different from the actual components and accessories, which are subject to change by the manufacturer without prior notice for product improvement purposes.

12 INSTALLATION

INSTALLATION

Before Installing

Tools Needed



- ❶ Phillips screwdriver
- ❷ Flat-blade screwdriver
- ❸ Pencil and ruler
- ❹ Combination or adjustable wrench
- ❺ Pipe wrench (2) (one for support)
- ❻ Level

Parts

Parts You May Need

- Gas line shut-off valve
- Pipe joint sealant that resists action of natural and LP gases
- Flexible metal appliance connector (3/4" or 1/2" NPT x 1/2" I.D.)
 - Never use an old connector when installing a new range.
- Flare union adapter for connection to gas supply line (3/4" or 1/2" NPT x 1/2" I.D.)
- Flare union adapter for connection to pressure regulator on range (1/2" NPT x 1/2" I.D.)
- Liquid leak detector or soapy water
- Lag bolt or 1/2" O.D. sleeve anchor (for concrete floors only)

In the Commonwealth of Massachusetts

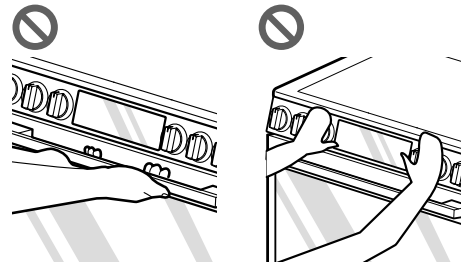
- This product must be installed by a licensed plumber or gas fitter.
- When using ball type gas shut-off valves, they must be the T-handle type.

- When using a flexible gas connector, it must not exceed 3 feet in length.

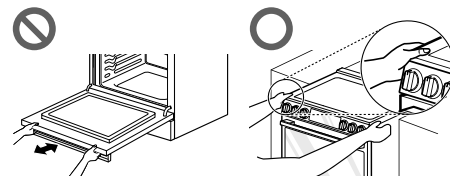
Unpacking and Moving the Range

⚠ WARNING

- You should use two or more people to move and install the range. (Excessive Weight Hazard) Failure to do so can result in back or other injury.
- Do not use the door handles or knobs to push or pull the range during installation or when moving the range out for cleaning or service. Doing so can result in serious damage to the range.



- Do not push or pull the range by grabbing the open oven door or cooktop only. Doing so can result in serious damage to the range.



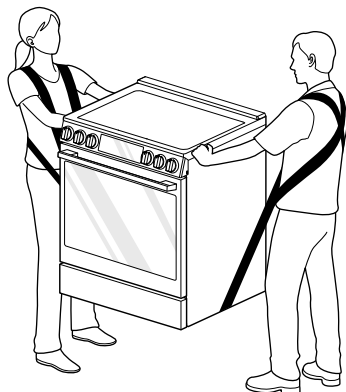
- Do not lift the range using the cooktop or door handle. Doing so can cause damage and improper operation of the range.



- To reduce the risk of burns, do not move this appliance while it is hot.

NOTE

- The image may differ from the actual model.
- Your range is heavy and can be installed on soft floor coverings such as cushioned vinyl or carpeting. Use care when moving the range on this type of flooring. Use a belt when moving the range to prevent damaging the floor. Or slide the range onto cardboard or plywood to avoid damaging the floor covering.



- Remove packing material, tape and any temporary labels from your range before using. Do not remove any warning-type labels, the model and serial number label, or the Tech Sheet that is located on the back of the range.
- To remove any remaining tape or glue, rub the area briskly with your thumb. Tape or glue residue can also be easily removed by rubbing a small amount of liquid dish soap over the adhesive with your fingers. Wipe with warm water and dry.
- Do not use sharp instruments, rubbing alcohol, flammable fluids, or abrasive cleaners to remove tape or glue. These products can damage the surface of your range.

ENGLISH

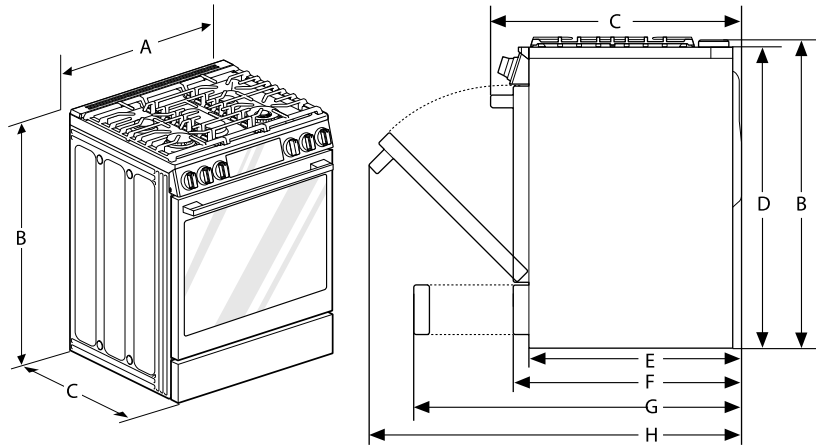
Choosing the Proper Location

14 INSTALLATION

Dimensions and Clearances

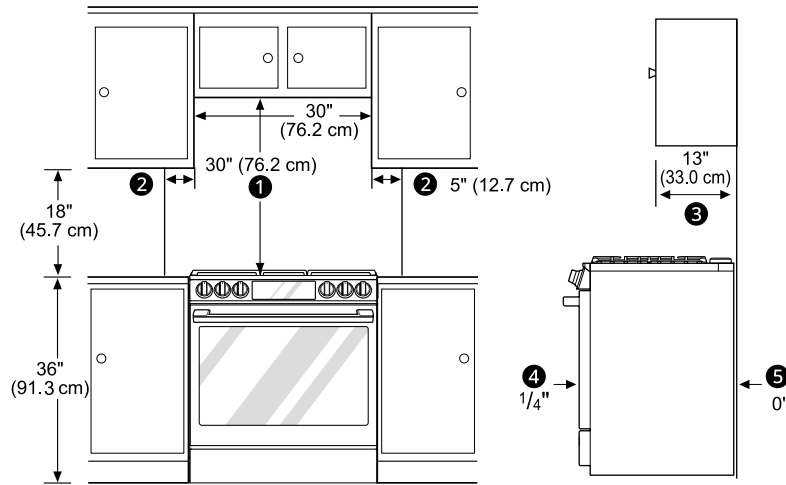
- Provide proper clearance between the range and adjacent combustible surfaces.
- These dimensions must be met for safe use of your range.
- The location of the electrical outlet and pipe opening (see "Gas Pipe and Electrical Outlet Locations" below) may be adjusted to meet specific requirements.
- The range may be placed with 0" clearance (flush) at the back wall.

Dimensions



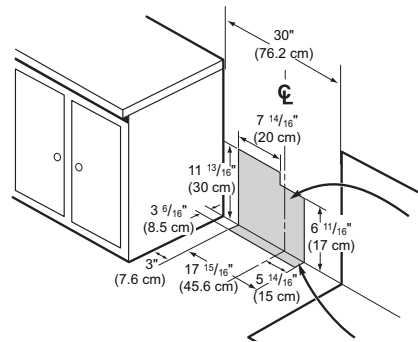
-	Dimensions	LSGL6337*, LSGL6335*
A	Width	29 7/8" (758.8 mm)
B	Height	37 1/8" (943mm)
C	Depth (Includes Door Handle)	29 5/16" (743.9 mm)
D	Height (Excludes Vent Trim)	36" (913.0 mm)
E	Depth (Includes only the product body that is loaded into the cabinet. Excludes door, drawer, and handles)	24 3/4" (629.4 mm)
F	Depth (Excludes Door Handle)	26 7/8" (683 mm)
G	Depth when drawer is fully opened	38 7/16" (976.7 mm) 36 1/16" (916.2 mm) (Excludes handle)
H	Depth when door is fully opened	48 5/8" (1235.9 mm)

Clearances



- ① Minimum
- ② Minimum clearance to left/right wall
- ③ Maximum depth for cabinets above countertops
- ④ Front edge of the range side panel forward from cabinet
- ⑤ To cabinets below cooktop and at the range back

Gas Pipe and Electrical Outlet Locations



Ventilation

- Do not locate your range where it may be subject to strong drafts. Any openings in the floor or wall behind the range should be sealed. Make sure the openings around the base of the range that supply fresh air for combustion and ventilation are not blocked by carpeting or woodwork.
- This appliance must not be installed with a ventilation system that blows air downward toward the range. This type of ventilation system may cause ignition and combustion problems with the gas cooking appliance resulting in personal injury or unintended operation.

Flooring

- Your range, like many other household units, is heavy and can be installed on soft floor coverings such as cushioned vinyl or carpeting. Use care when moving the range on this type of flooring.

16 INSTALLATION

- When the floor covering ends at the front of the range, the area that the range will be installed on should be built up with plywood to the same level or higher than the floor covering. This will allow the range to be moved for cleaning and servicing, as well as provide proper air flow to the range.
- Make sure the floor covering can resist temperatures of at least 167 °F (75 °C). See the Installation Safety Instructions included in this manual.

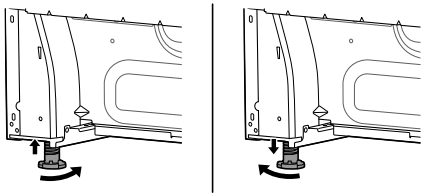
Ambient Temperature

- Make sure the wall coverings around your range can resist the heat generated up to 194 °F (90 °C) by the range. See the Installation Safety Instructions included in this manual.

Leveling

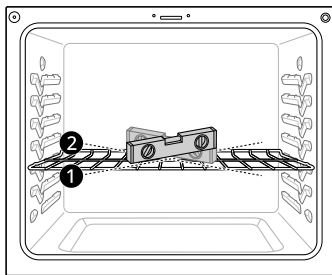
Leveling the Range

Level the range by adjusting the leveling legs with a wrench. Extending the legs slightly may also make it easier to insert the rear leg into the anti-tip bracket.



Checking Adjustments

- 1 Place the level diagonally on the oven rack, and check each direction for level.
 - First check direction ①. Then check direction ②.



- 2 If the level doesn't show that the rack is level, adjust the leveling legs with a wrench.

Connecting Gas

Providing Adequate Gas Supply

- Your range is designed to operate at a pressure of 5" of water column on natural gas or 10" of water column on LP.
- Make sure you are supplying your range with the type of gas for which it is configured.
- This range is convertible for use with natural or LP gas. When using this range with LP gas, conversion must be made by a qualified LP installer before attempting to operate the range.
- For proper operation, the pressure of natural gas supplied to the regulator must be between 5" and 13" of water column.
- For LP gas, the pressure supplied to the regulator must be between 10" and 13" of water column. When checking for correct operation of the regulator, the inlet pressure must be at least 1" more than the operating (manifold) pressure as given above.
- The pressure regulator located at the inlet of the range must remain in the supply line regardless of which type of gas is being used.
- A flexible metal appliance connector used to connect the range to the gas supply line should have an I.D. of 5/8" and a maximum length of 5 feet. In Canada, flexible connectors must be single wall metal connectors less than 6 feet in length.

Connecting the Range to Gas

⚠ WARNING

- Isolate the range from the gas supply system by closing its individual shut-off valve during any pressure testing of the gas supply system at test pressures equal to or less than 1/2 psi (3.5 kPa).
- The appliance and its individual shut-off valve must be disconnected from the gas supply

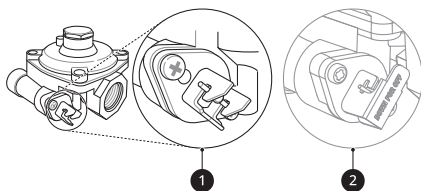
pipng system during any pressure testing of that system at test pressures in excess of 1/2 psi (3.5 kPa).

- Shut off the range gas supply valve before removing the old range and leave it off until the new hook-up has been completed.
- Because hard piping restricts movement of the range, a CSA International-certified flexible metal appliance connector should be used unless local codes require a hard-piped connection.
- A manual valve must be installed in an accessible location in the gas piping external to the appliance for the purpose of turning on or shutting off gas to the appliance.
- Never reuse an old connector when installing a new range.
- To protect against gas leaks, use a qualified pipe joint sealant on all external threads.

1 Install a male 1/2" or 3/4" flare union adapter to the NPT internal thread of the manual shut-off valve, taking care to back-up the shut-off valve to keep it from turning.

2 Install a male 1/2" flare union adapter to the 1/2" NPT internal thread at the inlet of the pressure regulator. Use a backup wrench on the pressure regulator fitting to prevent damage.

- Check that the gas pressure regulator valve is in the open position.



- 1** Lever's open position
- 2** Lever's closed position

NOTE

- The gas pressure regulator valve is open when shipped. If the range does not work properly after installation, make sure the regulator valve is still open.

3 Connect a flexible metal appliance connector to the adapter on the range. Position the range to permit connection at the shut-off valve.

4 When all connections have been made, be sure all range controls are in the OFF position and the pressure regulator valve is open before turning on the main gas supply valve.

- Gas leaks may occur in your system and create a hazard. Gas leaks may not be detected by smell alone.

5 Check all gas connection joints and fittings for leaks with a non-corrosive leak detection fluid, then wipe off.

- Gas suppliers recommend you purchase and install a UL approved gas detector. Install and use in accordance with the installation instructions.

WARNING

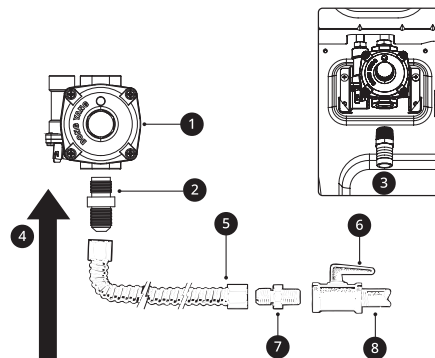
- Do not use a flame to check for gas leaks.

NOTE

- Installation must conform with local codes or, in the absence of local codes, with the National Fuel Gas Code, ANSI Z223.1/NFPA 54 or, in Canada, the Natural Gas and Propane Installation Code, CSA B149.1.

Flexible Connector Hookup

Have the installer show you the location of the range gas shut-off valve and how to shut it off if necessary.

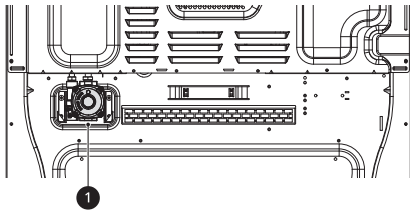


- 1** Pressure regulator
- 2** 1/2" adapter

18 INSTALLATION

- 3 1/2" adapter
- 4 Gas flow into range
- 5 Flex connector (6 ft. max.)
- 6 Gas shut-off valve
- 7 1/2" adapter
- 8 1/2" or 3/4" gas pipe

Pressure Regulator Position



- 1 Pressure regulator

Adjusting Air Shutters (for LP Conversions)

The range comes from the factory with the air shutters adjusted for proper air flow for natural gas. If converted to LP, follow the instructions provided in the conversion kit to properly adjust the air shutters. LP conversion must be performed by a qualified technician.

Connecting Electricity

Electrical Requirements

120 Volt, 60 Hz, properly grounded dedicated circuit protected by a 15 or 20 Amp circuit breaker, or slow blow fuse.

If an external electrical source is utilized, the appliance, when installed, must be electrically grounded in accordance with local codes or, in the absence of local codes, with the National Electrical Code, NFPA70 or the Canadian Electric Code, CSA C22.1-02.

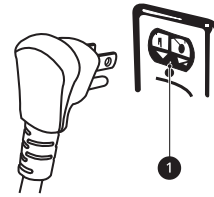
Grounding

⚠ WARNING

- For personal safety, this appliance must be properly grounded.

- This appliance is equipped with a three-prong grounding plug for your protection against shock hazard and should be plugged directly into a properly grounded receptacle.
- Do not cut or remove the grounding prong from this plug.
- The customer should have the wall receptacle and circuit checked by a qualified electrician to make sure the receptacle is properly grounded.

- The power cord of this appliance is equipped with a 3-prong (grounding) plug which mates with a standard 3-prong grounding wall receptacle to minimize the possibility of electric shock hazard from this appliance.
- Where a standard two-prong wall receptacle is encountered, it is the personal responsibility and obligation of the customer to have it replaced with a properly grounded three-prong wall receptacle.
- Ensure proper ground 1 exists before use.



- Do not use an adapter plug. Disconnecting of the power cord places undue strain on the adapter and leads to eventual failure of the adapter ground terminal.

Surface Burners

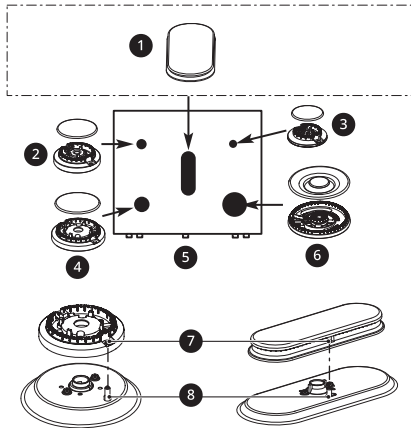
Assembling the Surface Burners

⚠ CAUTION

- Do not operate the burners without all parts in place.

- 1 Place the burner caps and heads on the cooktop.
 - There is one small, one medium, one large, one oval (center), and one extra large burner head and cap.
- 2 Make sure that the caps and heads are placed in the correct locations.

- 3 Make sure that the hole in the burner head is positioned over the electrode.



- 1 Oval (center) burner head/cap assembly
- 2 Medium burner head and cap
- 3 Small burner head and cap
- 4 Large burner head and cap
- 5 Front of range
- 6 Dual burner head and cap
- 7 Hole
- 8 Electrode

Checking Ignition of the Surface Burners

Electric Ignition

Select a surface burner knob and simultaneously push in and turn to the **Lite** position. You will hear a clicking sound indicating proper operation of the spark module.

Once the air has been purged from the supply lines the burner should ignite within 4 seconds. After the burner ignites, rotate the knob out of the **Lite** position. Try each burner in succession until all burners have been checked.

Quality of Flames

The combustion quality of the burner flames needs to be confirmed visually.

Yellow flames

Call for service.



Yellow tips on outer cones

This is normal for LP gas.



Soft blue flames

This is normal for natural gas.

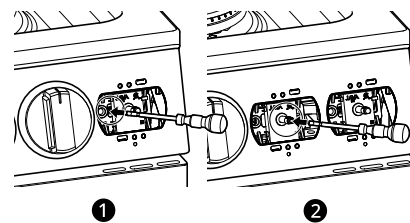


NOTE

- With LP gas, some yellow tipping on outer cones is normal.

Adjusting the Surface Burner to the Low Flame (Simmer) Setting

- 1 Light all surface burners.
- 2 Turn the knob on the burner being adjusted to **Lo**.
- 3 Remove the knob and knob ring.
- 4 Insert a small, flat-blade screwdriver with a minimum length of 3" (76.2 mm) and a diameter of 3/32" (2.4 mm) into the opening marked below.



- 1 Simmer on dual burner
- 2 Simmer on other burners

20 INSTALLATION

5 Turn the screw to adjust the flame.

- Hold the valve shaft with one hand while turning the screw to adjust with the other.

6 Replace the knob.

7 Test the flame stability.

- Test 1: Turn the knob from **Hi** to **Lo** quickly. If the flame goes out, increase the flame size and test again.
- Test 2: With the burner on a **Lo** setting, open and close the oven door quickly. If the flame is extinguished by the air currents created by the door movement, increase the flame height and test again.

8 Repeat steps 1-7 for each surface burner.

NOTE

- The product is shipped with the low flame (Simmer) setting at the lower limit. It cannot be set any lower.

Optional Rear Filler

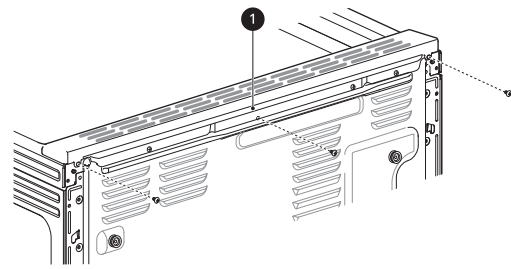
Installing the Rear Filler

If the counter does not bridge the opening at the rear wall, the rear filler kit that is provided with the slide in range will be needed.

NOTE

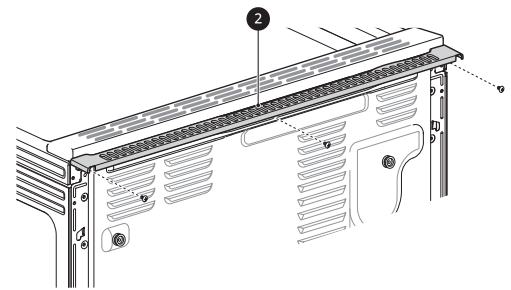
- If the countertop depth is greater than 25 3/8 " there will be a gap between the filler kit and the back wall.
- If the countertop depth is less than 24 3/4 ", the control panel will not sit flush with the countertop.

- 1 Using a screwdriver, remove the three screws holding the rear top plate in place.



① Rear Top Plate

- 2 Attach the rear top plate and filler assembly as shown, using the three screws removed in step 1.



② Rear filler

Anti-tip Device

Installing the Anti-tip Device

Tip Hazard

⚠ WARNING

- A child or adult can tip the range and be killed.



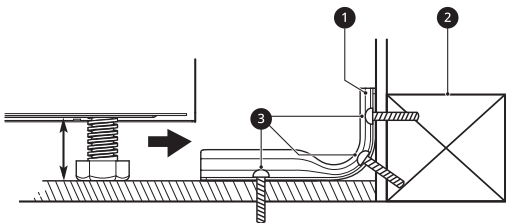
- Install the anti-tip device to the structure and/or the range. Verify the anti-tip device has been properly installed and engaged by following the guide on the anti-tip bracket template.
- Engage the range to the anti-tip device by following the guide on the anti-tip bracket template. Ensure the anti-tip device is re-engaged when the range is moved by following the guide on the anti-tip bracket template.
- Re-engage the anti-tip device if the range is moved. Do not operate the range without the anti-tip device in place and engaged.
- See installation instructions for details.

- Failure to follow these instructions can result in death or serious burns to children or adults.
- Range must be secured with an approved anti-tip device.
- The range could be tipped by standing, sitting or leaning on an open door if the range or anti-tip device is not properly installed.
- The use of this device does not preclude tipping of the range when not properly installed.

- After installing the anti-tip device, verify that it is in place by carefully attempting to tilt the range forward.
- This range has been designed to meet all recognized industry tip standards for all normal conditions.
- The installation of the anti-tip device must meet all local codes for securing the appliance.

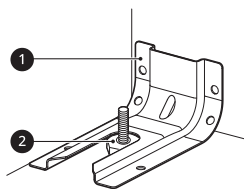
Using the Anti-tip Bracket Template

- The anti-tip bracket is packaged with an installation template. The instructions include necessary information to complete the installation. Read and follow the range installation instruction sheet.
- Screws ③ must enter wood or concrete.



- ① Anti-tip Bracket
- ② Wall Plate

Engaging the Anti-tip Device



- ① Anti-tip Bracket
- ② Leveling Leg

- 1 Slide the range against the wall, making sure the back leg slides into and engages the anti-tip bracket.

- 2 Check for proper installation by grasping the front edge of the cooktop and carefully attempting to tilt the range forward.

Test Run

Test the Range Before Use

NOTE

- Do not try to light either the Bake or Broil burners during a power outage. The range has an electrical ignition system and cannot be used without power.

Checking Operation of Bake Burners

To check ignition of the Bake burner, follow the steps below:

- 1 Remove all packing materials from inside the oven cavity.
- 2 Turn oven mode knob to select **Bake**. 350 °F appears in the display.
 - Make sure the door is closed.
- 3 Press **START**.

NOTE

- It may take between 30 and 90 seconds for the burner to start heating.

Checking Operation of Broil Burners

To check ignition of the Broil burner, follow the steps below:

- 1 Remove all packing materials from inside the oven cavity.
- 2 Turn oven mode knob to select **Broil. Hi** appears in the display.
 - Make sure the door is closed.
- 3 Press **START**.

22 INSTALLATION

NOTE

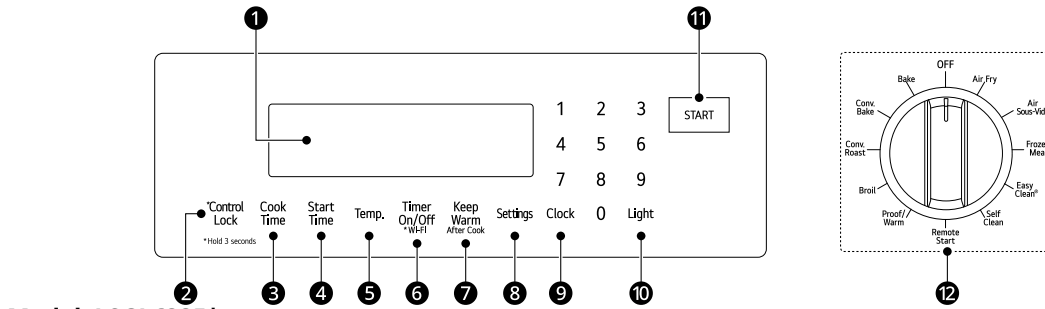
- It may take between 30 and 90 seconds for the burner to start heating.
-

OPERATION

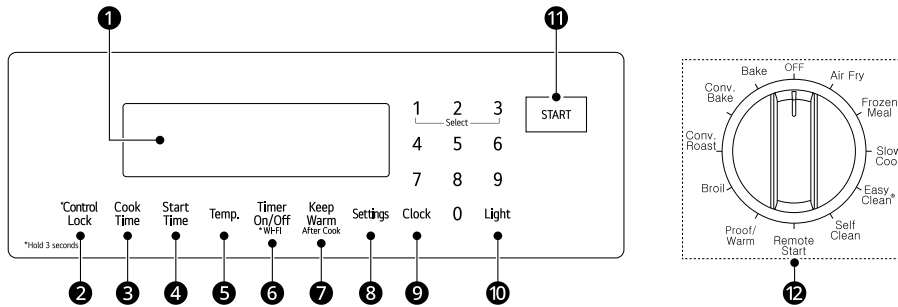
Control Panel

Control Panel Features

Model: LSG6337*



Model: LSG6335*



1 Display

Press any button on the control panel to activate the display. In standby mode, the screen is dimmed.

2 Control Lock

Press and hold the button for 3 seconds to lock the control panel.

3 Cook Time

Press the button to set the desired amount of time for food to cook. The oven shuts off when the set cooking time runs out.

4 Start Time

Press the button to set the delayed timed cook. The oven starts at the set time.

5 Temp.

Press the button to set the oven temperature during oven use.

6 Timer On/Off / Wi-Fi

Press the button to set or cancel the timer. Press and hold the button for 3 seconds to connect the appliance to a Wi-Fi network.

7 Keep Warm

Press the button to keep food warm in the oven after cooking.

- This feature should be used after cooking in the oven.

8 Settings

Press the button to select and adjust oven settings.

9 Clock

Press the button to set the time of day.

10 Light

Press the button to turn the oven light on or off.

11 START

Press the button to start all oven features.

12 Oven Mode Knob

Turn the knob to select the oven operating mode.

NOTE

- **Flashing Clock**

24 OPERATION

NOTE

If the colon in the clock display flashes, press **Clock** and reset the time, or press any key to stop the flashing.

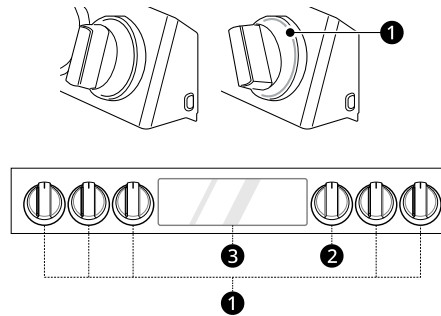
If you enter one digit of a number incorrectly, enter the entire number again to correct it. For example, if you press 1, 0, 3 and 1 to set the clock for 10:30, press 1, 0, 3 and 0 to enter the correct time.

• Setting the Time, Timer and Temperature

Knob/Display Lighting (Model LSGL6337*)

This feature is only available on some models.

Knob lighting illuminates the edge of the knob when you turn the knob to operate the heating elements (excluding Mode knob).



- ❶ Knob Lighting
- ❷ Mode Knob
- ❸ Display Lighting

NOTE

- Oven Mode knob does not have knob lighting.
- Turning on **Control Lock** does not prevent the knob lighting or cooktop elements from turning on when a cooktop knob is turned.

Changing Oven Settings

Clock

The clock must be set to the correct time of day in order for the automatic oven timing functions to work properly.

- 1 Press **Clock**
- 2 Press the numbers to enter the time. For example, to set the clock for 10:30, press the numbers: 1, 0, 3 and 0.
- 3 Press **START**.

NOTE

- The time of day cannot be changed during a timed baking or self-clean cycle.
- To check the time of day when the display is showing other information, press **Clock**.
- If no other buttons are pressed within 25 seconds of pressing **Clock**, the display reverts to the original setting.
- If the display time is blinking, there may have been a power failure. Reset the time.
- The control is set to use a 12-hour clock. To set the clock to 24-hour mode, see the Settings section.

Oven Light

The interior oven light automatically turns on when the door is opened.

- Press **Light** to manually turn the oven light on.

NOTE

- The oven light cannot be turned on if the Self Clean function is active.
- The oven light turns off automatically after 90 seconds.

Timer On/Off

The Timer serves as an extra timer in the kitchen that beeps when the set time has run out. It does not start or stop cooking.

The Timer feature can be used during any of the other oven control functions.

For example, to set 5 minutes:

- 1 Press **Timer On/Off** once.
0:00 appears and **Timer** flashes in the display.

NOTE

- Press **Timer On/Off** twice to set the time in minutes and seconds.
- Press **Timer On/Off** once to set the time in hours and minutes.

- 2 Press **5**.
0:05 appears in the display.

- 3 Press **Timer On/Off** to start the Timer. The remaining time countdown appears in the display.

NOTE

- If **Timer On/Off** is not pressed, the display returns to the time of day.
- If the remaining time is not in the display, recall the remaining time by pressing **Timer On/Off**.

- 4 When the set time runs out, **End** shows in the display. The indicator tones sound every 15 seconds until **Timer On/Off** is pressed.

Canceling the Timer

- 1 Press **Timer On/Off** once.
The display returns to the time of day.

Wi-Fi

The **Wi-Fi** button is used to connect the appliance to a home Wi-Fi network.

- 1 Set the oven mode knob to the **OFF** position.
- 2 Press and hold **Timer On/Off** for 3 seconds.
- 3 The power on chime sounds, **Set** appears in the display, and the Wi-Fi icon (📶) blinks.
- 4 Connect the appliance to the Wi-Fi network using the **LG ThinQ** smartphone application.
- 5 To disconnect the appliance from the network, delete it from the connected appliances in the application.

NOTE

- See the Smart Functions section in the owner's manual for more details.

Settings (Hour Mode, Convection Auto Conversion, Calibrating the Oven Temperature, Preheat Alarm Light, Beeper Volume, Fahrenheit or Celsius, Wi-Fi On/Off)

Press the **Settings** button repeatedly to toggle through and change oven settings.

The **Settings** button allows you to:

- **set the hour mode on the clock (12 or 24 hours)**
- **enable/disable convection auto conversion**
- **calibrate the oven temperature**
- **activate/deactivate the preheating alarm light**
- **set the beeper volume**
- **switch the temperature scale between Fahrenheit and Celsius**

26 OPERATION

- **activate/deactivate the Wi-Fi**

Setting the Hour Mode

The control is set to use a 12-hour clock. To set the clock to 24-hour mode, follow the steps below.

- 1 Press **Settings** once.
- 2 Press **1** to toggle between a 12-hour and 24-hour clock.
- 3 Press **START** to accept the change.

Setting Convection Auto Conversion

When **Conv. Bake** and **Conv. Roast** are selected, Convection Auto Conversion automatically converts the standard recipe temperature entered to a convection temperature by subtracting 25 °F / 14 °C. This auto converted temperature shows on the display. For example, select **Conv. Bake**, enter 350 °F, and 325 °F shows on the display after preheat.

- 1 Press **Settings** repeatedly until **Auto** appears in the display.
- 2 Press **1** to disable or enable auto conversion.
- 3 Press **START** to accept the change.

NOTE

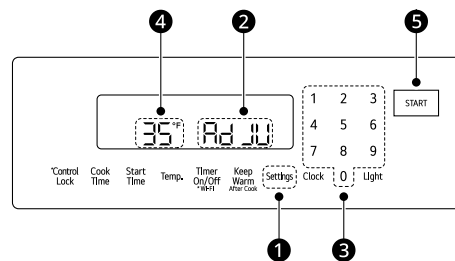
- The convection cooking mode uses air circulation to cook faster and more evenly than the normal cooking mode, so you can get better cooking results than normal baking even when the temperature is reduced by 25°F / 14°C.

Calibrating the Oven Temperature

When you start using the oven, pay careful attention to the recommended temperatures, times, and rack positions in the manual. This oven may differ from your previous oven, and it may take some time to become accustomed to it. If you have followed the recommended guides for this oven and still believe that the temperature is hotter or colder than expected, you can manually calibrate the displayed oven temperature.

There are 2 methods for adjusting the temperature display.

- Method 1: Try to gauge how much to increase or decrease the displayed temperature by testing familiar recipes at higher or lower temperatures than recommended. This may help you decide the amount of temperature adjustment you want.
- Method 2: Adjust the temperature to 15 °F (8 °C) hotter or cooler at first. Try the oven with this setting. If you still need to adjust the oven temperature, use the results of the first adjustment as a reference and vary the temperature adjustment amount until the oven temperature display is calibrated to your satisfaction.



- 1 Press **Settings** ① repeatedly until **Adj** ② shows in the display.
- 2 Use the number buttons ③ to enter the number of degrees you want to adjust the oven temperature. The temperature adjustment is shown next to **Adj** ④. You can adjust the temperature up or down by 35 °F or 19 °C.
- 3 To lower the temperature, press **Settings** ① to add a minus sign (-) to the displayed number. To raise the temperature, press **Settings** ① to remove the minus sign in the display.
- 4 Press **START** ⑤ to accept the change.

NOTE

- This adjustment does not affect the broiling or Self Clean temperatures. The adjustment is retained in memory after a power failure. The oven temperature can be adjusted by ±35 °F (±19 °C).
- Once the temperature is adjusted, press **Settings** repeatedly until **Adj** is displayed to see the amount you adjusted and change it if needed.

- The temperatures displayed by an oven thermometer placed in the oven cavity may differ from the actual set oven temperature in all modes.

Turning the Preheat Alarm Light On/Off

When the oven reaches its set-temperature, the preheating alarm light flashes 5 times or until the oven door is opened.

You can activate or deactivate the preheating alarm light.

- 1 Press **Settings** repeatedly until Pr-E appears in the display.
- 2 Press **1** repeatedly to select the light on/off.
- 3 Press **START** to accept the change.

Adjusting the Beeper Volume

- 1 Press **Settings** repeatedly until BEEP appears in the display.
- 2 Press **1** repeatedly to select **Hi**, **Lo** or **Off**.
- 3 Press **START** to accept the change.

NOTE

- Adjusting the beeper volume does not affect the preheat alarm volume.

Selecting Fahrenheit or Celsius

Set the oven temperature display to show either Fahrenheit (°F) or Celsius (°C) units. The oven defaults to Fahrenheit unless changed by the user.

- 1 Press **Settings** repeatedly until Unit appears in the display.
- 2 Press **1** repeatedly to select **F** (Fahrenheit) or **C** (Celsius).
- 3 Press **START** to accept the change.

Turning the Wi-Fi On/Off

You can turn the Wi-Fi transmitter on the PCB on or off.

- 1 Press **Settings** repeatedly until **Wi-Fi** appears in the display.

88:88

- 2 Press **1** to turn the Wi-Fi transmitter on/off.

- 3 Press **START** to accept the change.

Control Lock

The **Control Lock** feature locks the control panel and oven mode knob, but does not lock the oven door.

- When the **Control Lock** feature is activated, the cooktop still functions, but the oven mode knob does not.

- 1 Press and hold **Control Lock** for three seconds.
- 2 The lock melody sounds. Loc and the lock icon appear in the display.
- 3 To deactivate the **Control Lock** feature, press and hold **Control Lock** for three seconds. The unlock melody sounds and the controls unlock.

NOTE

- Turning on **Control Lock** does not prevent the knob lighting or cooktop elements from turning on when a cooktop knob is turned.

Start Time (Delayed Timed Cook)

The automatic timer of the Delayed Timed Cook function turns the oven on and off at the time you select. This feature can be used with the **Bake**, **Conv. Bake**, **Conv. Roast** and **Self Clean** modes.

28 OPERATION

CAUTION

- Use caution with the Delayed Timed Cook features. Use the automatic timer when cooking cured or frozen meats and most fruits and vegetables. Foods that can easily spoil, such as milk, eggs, fish, meat or poultry, should be chilled in the refrigerator first. Even when chilled, they should not stand in the oven for more than 1 hour before cooking begins, and should be removed promptly when cooking is complete. Eating spoiled food can result in sickness from food poisoning.

Setting a Delayed Timed Cook

For example, to bake at 300 °F for 30 minutes and delay the start of baking until 4:30, first set the clock for the correct time of day.

- 1 Turn the oven mode knob to select **Bake**. 350 °F appears in the display.
- 2 Set the temperature: Press **3**, **0** and **0**.
- 3 Press **Cook Time. Timed** flashes in the display. **Bake**, 0:00 and 300 °F appear in the display.
- 4 Set the baking time: press **3** and **0** (for 30 minutes).
 - The baking time can be set for any amount of time between 1 minute and 11 hours and 59 minutes
- 5 Press **Start Time**.
- 6 Set the start time: Press **4**, **3** and **0** for 4:30.
- 7 Press **START**. A short beep sounds and **Timed Delay** and the start time appear in the display. The oven begins baking at the set start time.

NOTE

- To cancel the Delayed Timed Cook function, turn the oven mode knob to the **OFF** position at any time.
- To change the cooking time, repeat step 3, enter the new time, and press **START**.

- If the oven clock is set as a 12-hour clock, you can delay the cook time for 12 hours. If the oven clock is set as a 24-hour clock, you can delay the cook time for 24 hours.

The oven will continue to cook for the set amount of time and then turn off automatically. When the cooking time has elapsed:

- **End** and the time of day show in the display.
- The cook end indicator tone sounds every 60 seconds until the oven mode knob is turned to the **OFF** position.

Cook Time (Timed Cook)

Set the oven to cook for a specific length of time using the Timed Cook feature. This feature can only be used with the **Bake, Conv. Bake, Conv. Roast, Air Sous-Vide, Air Fry, Frozen Meal** and **Proof** modes.

Setting a Timed Cook

For example, to bake at 300 °F for 30 minutes, first set the clock to the correct time of day.

- 1 Turn the oven mode knob to select **Bake**. 350 °F appears in the display.
- 2 Set the temperature. Press **3**, **0** and **0**.
- 3 Press **Cook Time. Timed** flashes in the display. **Bake**, 0:00 and 300 °F appear in the display.
- 4 Set the baking time: Press **3** and **0** (for 30 minutes).
 - The baking time can be set for any amount of time between 1 minute and 11 hours and 59 minutes
- 5 Press **START**.

The oven will continue to cook for the set amount of time and then turn off automatically. When the cooking time has elapsed:

- **End** and the time of day show in the display.
- The cook end indicator tone sounds every 60 seconds until the oven mode knob is turned to the **OFF** position.

Changing the Cook Time during Cooking

For example, to change the cook time to 1 hour and 30 minutes during cooking:

- 1 Press **Cook Time**.
- 2 Change the baking time: Press **1, 3, 0**.
- 3 Press **START** to accept the change.

Minimum & Maximum Default Settings

All of the features listed have a minimum and a maximum time or temperature setting that may be entered into the controls. An entry acceptance beep sounds each time a control button is pressed.

An entry error tone (two short tones) sounds if the entry of the temperature or time is below the minimum or above the maximum setting for the feature.

† This feature is only available on some models.

* Temperature if using auto conversion

Feature		Min. Temp. / Time	Max. Temp. / Time	Default
Clock	12 Hr.	1:00 Hr. / min.	12:59 Hr. / min.	
	24 Hr.	0:00 Hr. / min.	23:59 Hr. / min.	
Timer	12 Hr.	0:01 min. / sec.	11:59 Hr. / min.	
	24 Hr.	0:01 min. / sec.	11:59 Hr. / min.	
Cook Time	12 Hr.	0:01 Hr. / min.	11:59 Hr. / min.	
	24 Hr.	0:01 Hr. / min.	11:59 Hr. / min.	

Feature		Min. Temp. / Time	Max. Temp. / Time	Default
Conv. Bake		300 °F / (*275 °F)	550 °F / 285 °C	350 °F (*325 °F) / 12 Hr.
Conv. Roast		300 °F / (*275 °F)	550 °F / 285 °C	350 °F (*325 °F) / 12 Hr.
Broil		Lo	Hi	Hi / 3 Hr.
Bake		170 °F / 80 °C	550 °F / 285 °C	350 °F / 12 Hr.
Proof		0:01 Hr. / min.	11:59 Hr. / min.	12 Hr.
Warm				3 Hr.
Probe [†]		80 °F / 27 °C	210 °F / 100 °C	150 °F / 65 °C
Self Clean		3 Hr.	5 Hr.	4 Hr.
EasyClean				10 min.
Frozen Meal		300 °F / 150 °C 0:01 Hr. / min.	550 °F / 285 °C 11:59 Hr. / min.	400 °F / 205 °C
Air Fry		300 °F / 150 °C 0:01 Hr. / min.	550 °F / 285 °C 11:59 Hr. / min.	400 °F / 205 °C
Air Sous-Vide [†]		100 °F / 38 °C 0:01 Hr. / min.	205 °F / 96 °C 47:59 Hr. / min.	130 °F / 54 °C
Slow Cook [†]		Low 0:01 Hr. / min.	High 11:59 Hr. / min.	High

NOTE

- Default cook mode times are without setting a cook time.

30 OPERATION

Gas Surface Burners

Before Using the Gas Surface Burners

Read all instructions before using.

WARNING

- Even if the top burner flame goes out, gas is still flowing to the burner until the knob is turned to the **OFF** position. If you smell gas, immediately open a window and ventilate the area for five minutes prior to using the burner. Do not leave the burners on unattended.
- Use the proper pan size. Do not use pans that are unstable or that can be easily tipped. Select cookware with flat bottoms large enough to cover burner grates. To avoid spillovers, make sure the cookware is large enough to contain the food properly. This will both save cleaning time and prevent hazardous accumulations of food, since heavy spattering or spillovers left on the range can ignite. Use pans with handles that can be easily grasped and remain cool.

CAUTION

- To avoid discoloration during use, follow the tips in the Maintenance section.
- Do not operate the burner for an extended period of time without cookware on the grate.
- The finish on the grate may chip without cookware to absorb the heat.
- Touching grates before they cool down may cause burns.
- What to do if you smell gas
 - Open windows.
 - Do not try to light any appliance.
 - Do not touch any electrical switch.
 - Do not use any phone in your building.
 - Immediately call your gas supplier from a neighbor's phone. Follow the gas supplier's instructions.
 - If you cannot reach your gas supplier, call the fire department.
- Be sure that all surface controls are set in the **OFF** position prior to supplying gas to the range.
- Never leave the surface burners unattended at high flame settings. Boilovers may cause smoke and greasy spillovers that may ignite.
- Always turn the knobs to the **Lite** position when igniting the top burners and make sure the burners have ignited.

- Control the top burner flame size so it does not extend beyond the edge of the cookware. Excessive flame is hazardous.
- Only use dry pot holders. Moist or damp pot holders on hot surfaces may result in burns from steam. Do not let pot holders come near open flames when lifting cookware. Do not use towels or other bulky cloth items. Use a pot holder.
- If using glass cookware, make sure the cookware is designed for range-top cooking.
- To prevent burns from ignition of flammable materials and spillage, turn cookware handles toward the side or back of the range without extending them over adjacent burners.
- Never leave any items on the cooktop. The hot air from the vent may ignite flammable items and will increase pressure in closed containers, which may cause them to burst.
- Carefully watch foods being fried at a high flame setting.
- Always heat fat slowly, and watch as it heats.
- If frying combinations of oils and fats, stir together before heating.
- Use a deep fat thermometer if possible to prevent fat from heating beyond the smoking point.
- Use the least possible amount of fat for effective shallow or deep fat frying. Filling the pan with too much fat can cause spillovers when food is added.
- Do not cook foods directly on an open flame on the cooktop.
- Do not use a wok on the surface burners if the wok has a round metal ring that is placed over the burner grate to support the wok. This ring acts as a heat trap, which may damage the burner grate and burner head. It may also cause the burner to work improperly. This may cause carbon monoxide levels which are higher than what is allowed by current standards, resulting in a health hazard.

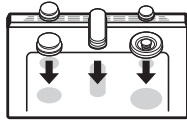
CAUTION

- Foods for frying should be as dry as possible. Frost or moisture on foods can cause hot fat to bubble up and spill over the sides of the pan.
- Never try to move a pan of hot fat, especially a deep fryer. Wait until the fat is cool.
- Do not place plastic items on the cooktop. They may melt if left too close to the vent.
- Keep all plastics away from the surface burners.
- To prevent burns, always be sure that the controls for all burners are in the **OFF** position

and all grates are cool before attempting to remove them.

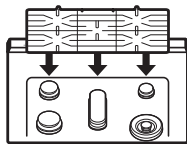
- If you smell gas, turn off the gas to the range and call a qualified service technician. Never use an open flame to locate a leak.
- Always turn the knobs to the **OFF** position before removing cookware.
- Do not lift the cooktop. Lifting the cooktop can cause damage and improper operation of the range.
- If the range is located near a window, do not hang long curtains that could blow over the surface burners and catch on fire.
- Use care when cleaning the cooktop. The pointed metal ends on the electrodes could cause injury.

- Make sure that all burners are properly placed.

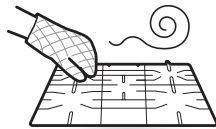


- Make sure that all grates are properly placed before using the burners.

- Take care when installing or removing the grates, as the rough edges may cause scratches on the surface of the cooktop.



- Make sure that the burners and grates are cool before touching them or placing a pot holder, cleaning cloth, or other materials on them.



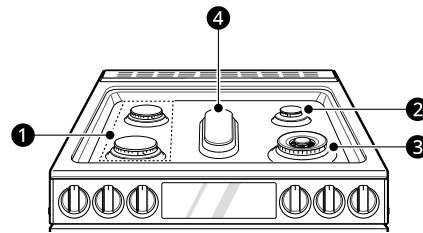
NOTE

- Electric spark igniters from the burners cause a clicking noise. All the spark igniters on the cooktop will activate when igniting just one burner.

Burner Locations

Your gas range cooktop has four or five sealed gas burners, depending on the model. The heads and

caps can be assembled and removed for cleaning. Follow the guide below.



1 Medium and large burners

The medium and large burners are the primary burners for most cooking. These general purpose burners can be turned down from **Hi** to **Lo** to suit a wide range of cooking needs.

2 Small burner

The smallest burner is used for delicate foods such as sauces or foods that require low heat for a long cooking time.

3 Dual burner (LSGL6337*, LTGL6937*, LSDL6336*)

Extra large burner (LSGL6335*)

The dual burner is the maximum output burner. Like the other four burners, it can be turned down from **Hi** to **Lo** for a wide range of cooking applications. This burner is also designed to quickly bring large amounts of liquid to a boil. It can be used with cookware 10 inches or larger in diameter.

4 Oval burner

The center, oval burner is for use with a griddle or oval pots.

Using the Gas Surface Burners

⚠ CAUTION

- Match the size of the cooktop burner or element to the size of the cookware in use. Using a large element for a small pan wastes heating energy, and the exposed surface of the element is a burn or fire hazard.
- Clean the knobs regularly. Soil or foreign objects on the knobs may interfere with the operation of the button.
- Do not apply excessive force when using the buttons and lock functions, or they may be damaged.
- The surfaces of the knobs may be hot after cooking. Allow the knobs to cool sufficiently or put on an oven mitt before touching them.

32 OPERATION

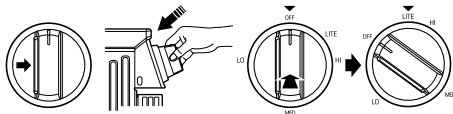
CAUTION

- The buttons must be properly set to ensure the intended functions of the knobs.

NOTE

- If removing and reassembling the knob, press and hold the side button while pushing the knob fully onto shaft.

- Be sure that all of the surface burners and grates are placed in the correct positions.
- Place cookware on the grate.
- Press in the side button on the knob.
- Push the control knob in and turn to the **LITE** position to light the burner.



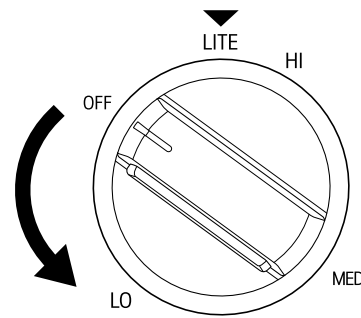
NOTE

- The electric spark ignition system makes a clicking noise.
- The oven mode knob does not have a button.
- To use the cooktop knobs without pressing in the side button, use the button lock function.

- Turn the control knob to control the flame size.

CAUTION

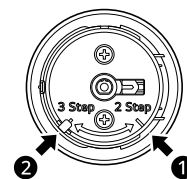
- Do not attempt to disassemble or clean around any burner while another burner is on. All the spark igniters on the cooktop will activate when igniting just one burner. An electric shock may result causing you to knock over hot cookware.



Using the Knob Lock

You can adjust the Knob Lock on each cooktop knob so you don't have to press the button in to use the knob. Remove and adjust one knob at a time.

- Make sure the knob is in the **OFF** position and pull it straight off the stem.
- On the back of the knob ring, rotate the black tab to the **2 Step** or **3 Step** position.
 - If you slide the tab to the **2 Step 1** position, the knob can be used without pressing in the button.
 - If you slide the tab to the **3 Step 2** position, you must press in the button to use the knob.



- Once the Knob Lock is adjusted as desired, reinstall the knob. To reinstall, hold the knob with the **OFF** label at the top and slide the knob directly onto the stem.

NOTE

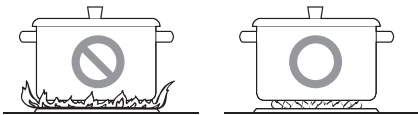
- The black tab must be aligned with the **2 Step** or **3 Step** mark to ensure proper operation of the knob and button.

Setting the Flame Size

Watch the flame, not the knob, as you reduce heat. Match the flame size on a gas burner to the cookware being used for fastest heating.

CAUTION

- Never let the flames extend up the sides of the cookware.



NOTE

- The flames on the surface burners may burn yellow in the presence of high humidity, such as a rainy day or a nearby humidifier.
- After LP gas conversion, flames can be bigger than normal when you put a pot on the surface burner.

Using the Proper Cookware

- Aluminum
 - Medium-weight cookware is recommended because it heats quickly and evenly. Most foods brown evenly in an aluminum skillet. Use saucepans with tight fitting lids when cooking with minimum amounts of water.
- Cast-Iron
 - If heated slowly, most skillets will give satisfactory results.
- Stainless Steel
 - This metal alone has poor heating properties and is usually combined with copper, aluminum or other metals for improved heat distribution. Combination metal skillets work satisfactorily if they are used with medium heat as the manufacturer recommends.
- Enamelware
 - Under some conditions, the enamel of this cookware may melt. Follow cookware manufacturer's recommendations for cooking methods.
- Glass
 - There are two types of glass cookware, those for oven use only and those for top-of-range cooking.

- Heatproof Glass Ceramic
 - Can be used for either surface or oven cooking. It conducts heat very slowly and cools very slowly. Check cookware manufacturer's directions to be sure it can be used on gas ranges.

NOTE

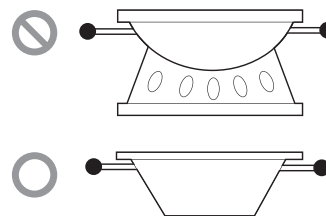
- Match the size of the cookware to the amount of food being cooked to save energy when heating. Heating 1/2 quart of water requires more energy in a 3-quart pot than in a 1-quart pot.

Using a Wok

If using a wok, use a 14-inch or smaller flat-bottomed wok. Make sure that the wok bottom sits flat on the grate.

CAUTION

- Do not use a wok support ring. Placing the ring over the burner or grate may cause the burner to work improperly, resulting in carbon monoxide levels above allowable standards. This can be hazardous to your health.



Using the Wok Grate

Use the included wok grate to support a 12" to 14" round-bottomed wok.

CAUTION

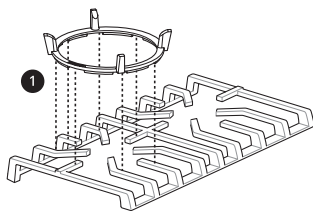
- Turn off all burners and allow the wok grate, burner grates, and cooktop to cool before installing or removing the wok grate.
- The wok grate retains heat for a long time. Always use an oven mitt when installing or removing the wok grate. Do not store the wok grate on the burner grate.
- Do not use flat-bottomed cookware or incorrectly sized woks with the wok grate. The cookware or wok could tip and cause personal injury.

34 OPERATION

⚠ CAUTION

- Do not use a wok larger than 14" with the wok grate. Doing so could cause burner flames to spread excessively and damage the cooktop.

- Turn off all burners and allow the grates and cooktop to cool before installing or removing the wok grate.
- Remove the griddle, if necessary. Do not remove the standard burner grates.
- Place the wok grate on top of the left or right front burner grate, aligning the notches on the wok grate with the burner grate's fingers.
 - Make sure the side marked **FRONT** is toward the front.



① Front

NOTE

- Make sure the wok grate is stable and the wok rests firmly on the wok grate.
- Do not use a wok that is the wrong size to fit securely in the wok grate.
- The wok grate and griddle cannot be used at the same time.
- For best performance, place the wok grate over the extra large, right front burner.
- Do not use the wok grate with cookware other than a wok.
- Clean the wok grate with hot, soapy water. Do not use oven cleaners, steel wool, or abrasive cleansers. Do not clean with the self-clean mode.

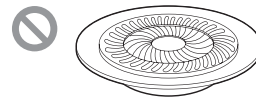
Using Stove-Top Grills

Do not place stove-top grills on the burner.

⚠ CAUTION

- Do not use stove top grills on the surface burners. Using a stove top grill on the surface

burner will cause incomplete combustion and can result in exposure to carbon monoxide levels above allowable current standards. This can be a health hazard.



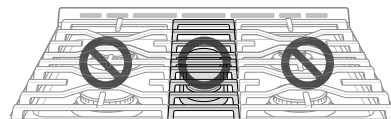
Using the Griddle

This feature is only available on some models.

The non-stick coated griddle provides an extra-large cooking surface for meats, pancakes or other food usually prepared in a frying pan or skillet.

⚠ CAUTION

- Avoid cooking extremely greasy foods as grease spillover can occur.
- The griddle can become hot when surrounding burners are in use.
- Do not overheat the griddle. This can damage the non stick coating.
- Do not use metal utensils that can damage the griddle surface. Do not use the griddle as a cutting board.
- Do not place or store items on the griddle.



NOTE

- It is normal for the griddle to become discolored over time.

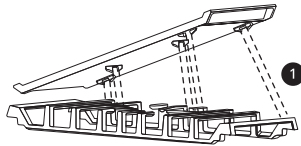
How to Place the Griddle

The griddle can only be used with the center burner. The griddle must be properly placed on the center grate, as shown.

⚠ CAUTION

- Do not remove the center grate when using the griddle.
- Do not remove the griddle plate until the cooktop grates, surfaces and griddle plate have completely cooled.

- The griddle plate on the cooktop may become very hot when using the cooktop, oven or broiler systems. Always use oven mitts when placing or removing the griddle plate.



1 Front

Preheating Guide

Preheat the griddle according to the guide below and adjust for the desired setting.

- Type of Food : Warming Tortillas
 - Cook Setting: 5 (MED)
- Type of Food : Pancakes
 - Preheat Conditions: HI 5 min.
 - Cook Setting: HI
- Type of Food : Hamburgers
 - Preheat Conditions: HI 5 min.
 - Cook Setting: HI
- Type of Food : Fried Eggs
 - Preheat Conditions: HI 5 min.
 - Cook Setting: HI
- Type of Food : Bacon
 - Preheat Conditions: HI 5 min.
 - Cook Setting: HI
- Type of Food : Breakfast Sausage Links
 - Preheat Conditions: HI 5 min.
 - Cook Setting: HI
- Type of Food : Hot Sandwiches
 - Preheat Conditions: HI 5 min.
 - Cook Setting: HI

NOTE

- After cooking on the griddle for an extended period, adjust the griddle temperature settings as the griddle retains heat.

In Case of Power Failure

In case of a power failure, you can light the gas surface burners on your range with a match.

Surface burners in use when an electrical power failure occurs will continue to operate normally.

CAUTION

- Use extreme caution when lighting burners with a match. It can cause burns and other damage.

1 Hold a lit match to the burner, then push in the control knob.

2 Turn the control knob to the **Lo** position.

ENGLISH

Oven

Before Using the Oven

Read all instructions before using.

CAUTION

- To avoid discoloration during use, follow the tips in the Maintenance section.
- What to do if you smell gas
 - Open windows.
 - Do not try to light any appliance.
 - Do not touch any electrical switch.
 - Do not use any phone in your building.
 - Immediately call your gas supplier from a neighbor's phone. Follow the gas supplier's instructions.
 - If you cannot reach your gas supplier, call the fire department.
- Do not place plastic or flammable items on the cooktop. They may melt or ignite if left too close to the vent.
- Do not place closed containers on the cooktop. The pressure in closed containers may increase, which may cause them to burst.
- Metal items will become very hot if they are left on the cooktop, and could cause burns.
- Handles of pots and pans on the cooktop may become hot if left too close to the vent.
- Avoid opening the oven door more than necessary during use. This helps the oven maintain temperature, prevents unnecessary heat loss, and saves on energy use.
- Make sure the electrical power cord and the gas valve are properly connected.

36 OPERATION

- Confirm the correct usage of the range for the type of food you will cook.
 - Make sure you know how to use the oven (temperature setting, time setting and recipe) for best results.

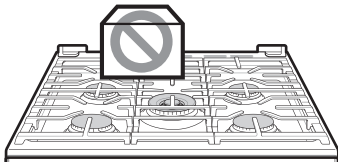
NOTE

- If using an oven thermometer in the oven cavity, temperatures may differ from the actual set oven temperature with all modes.

- In case of power failure, do not use the oven.

CAUTION

- Do not attempt to operate the electric ignition during an electrical power failure.
 - The oven and broiler cannot be used during a power outage. If the oven is in use when a power failure occurs, the oven burner shuts off and cannot be re-lit until power is restored. Once power is restored, you will need to reset the oven (or Broil function).
- Do not block, touch or place items around the oven vent during cooking.
 - Your oven is vented through ducts at the center above the burner grate. Do not block the oven vent when cooking to allow for proper air flow. Do not touch vent openings or nearby surfaces during any cooking operation.

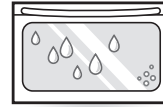


- Do not cover racks or oven bottom with aluminum foil.



- You may see condensation on the oven door glass.
 - As the oven heats up, the heated air in the oven may cause condensation to appear on the oven door glass. These water drops are

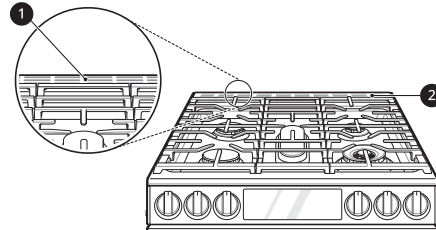
harmless and will evaporate as the oven continues to heat up.



Oven Vent

Areas near the vent may become hot during operation and may cause burns. Do not block the vent opening. Avoid placing plastics near the vent as heat may distort or melt the plastic.

It is normal for a yellow light to be visible while the oven is running. You may also see steam when cooking foods with high moisture content.



- ① Oven Vent
- ② Vent trim

CAUTION

- The edges of the range vent are sharp. Wear gloves when cleaning the range to avoid injury.
- Do not block, touch or place items around the oven vent during cooking.
 - Do not block the oven vent when cooking to allow for proper air flow. Do not touch vent openings or nearby surfaces during any cooking operation.

Using Oven Racks

The racks have a turned-up back edge that prevents them from being pulled out of the oven cavity.

CAUTION

- Replace oven racks before turning the oven on to prevent burns.
- Do not cover the racks with aluminum foil, or any other material, or place anything on the bottom of the oven. Doing so will result in poor baking and may damage the oven bottom.

- Only arrange oven racks when the oven is cool.
- Do not place objects heavier than 33 lb (15 kg) on the racks. Do not place heavy objects on the corners of the racks. Doing so can damage the racks.

Removing Racks

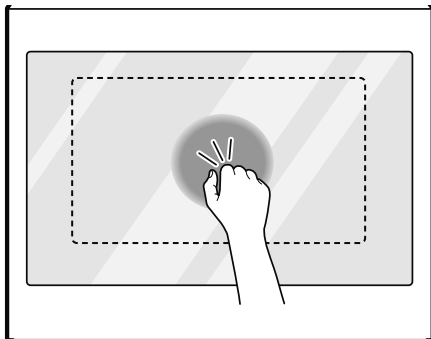
- 1 Pull the rack straight out until it stops.
- 2 Lift up the front of the rack and pull it out.

Replacing Racks

- 1 Place the end of the rack on the support.
- 2 Tilt the front end up and push the rack in.

Instaview

Knock twice on the center of the glass panel to reveal the contents of the oven without opening the door.



CAUTION

- Do not hit the glass door panel with excessive force. Do not allow hard objects like cookware or glass bottles to hit the glass door panel. The glass could break, resulting in a risk of personal injury.

NOTE

- Knocking twice on the glass panel turns the interior light on or off.
- The light turns off automatically after 90 seconds.

- The InstaView function is disabled when the oven door is opened and for one second after closing the door.
- The InstaView function is disabled during Self Clean, Control Lock / Lockout, and initial power input (on some models only).
- Tapping the edges of the glass panel may not activate the InstaView function.
- The taps on the glass panel must be hard enough to be audible.
- Loud noises near the oven may activate the InstaView function.

Bake

Bake is used to prepare foods such as pastries, breads and casseroles.

The oven can be programmed to bake at any temperature from 170 °F (80 °C) to 550 °F (285 °C). The default temperature is 350 °F (175 °C).

Setting the Bake Function (For example, to bake at 375 °F)

- 1 Turn the oven mode knob to select **Bake**.
- 2 Set the oven temperature: Press **3**, **7** and **5**.
- 3 Press **START**. The oven starts to preheat.

NOTE

- As the oven preheats, the temperature is displayed and rises in 5-degree increments. Once the oven reaches the set temperature, a tone sounds and the oven light blinks on and off.

- 4 When cooking is complete, turn the oven mode knob to the **OFF** position.

- 5 Remove the food from the oven.

NOTE

- It is normal for the convection fan to operate periodically throughout a normal bake cycle in the oven. This is to ensure even baking results.

38 OPERATION

Baking Tips

- Baking time and temperature will vary depending on the characteristics, size, and shape of the baking pan used.
- Check for food doneness at the minimum recipe time.
- Use metal bakeware (with or without a nonstick finish), heatproof glass-ceramic, ceramic or other bakeware recommended for oven use.
- Dark metal pans or nonstick coatings will cook food faster with more browning. Insulated bakeware will slightly lengthen the cooking time for most foods.
- The oven bottom has a porcelain-enamel finish. To make cleaning easier, protect the oven bottom from excessive spills by placing a cookie sheet on the rack below the rack you are cooking on. This is particularly important when baking a fruit pie or other foods with a high acid content. Hot fruit fillings or other foods that are highly acidic may cause pitting and damage to the porcelain-enamel surface and should be wiped up immediately.

Pizza Stone & Peel (Model LSGL6337* Only)

A pizza stone retains heat and distributes it more evenly than a metal pan. The extra-hot surface is ideal for creating a crisp bottom crust on thin-crust pizzas. Use a pizza peel to help move the pizza on and off the hot pizza stone.

CAUTION

- Do not use the peel as cookware in the oven.
- The pizza stone gets very hot and retains heat for a long time. Allow it to cool in the oven before handling it.
- To avoid burns, use oven mitts when moving the pizza stone or using the pizza stone and peel.
- Do not run water over a hot pizza stone or subject the stone to excessive shocks. The stone could break and cause injuries.
- Do not use harsh cleaners or abrasive pads to clean the pizza stone and peel. They could damage the surface or coating.
- Use only water to clean the pizza stone and peel.

NOTE

- If you're cooking multiple pizzas, later pizzas may cook more quickly.
- Place the pizza stone in the oven before preheating the oven. Allow the stone to preheat for 15 to 30 minutes before cooking the pizza.

- Adjust the position of the oven rack before putting the pizza stone in the oven to get a more or less crispy crust.
- It is not recommended to use the pizza stone with frozen pizzas, as the thermal shock could damage the pizza stone.

Convection Mode

The convection system uses a fan to circulate the heat evenly within the oven. Improved heat distribution allows for even cooking and excellent results while cooking with single or multiple racks.

Setting the Convection Function

(For example, cooking at 375 °F)

- 1 Turn the oven mode knob to select **Conv. Bake** or **Conv. Roast**. The display flashes 350 °F.
- 2 Set the oven temperature: Press **3**, **7** and **5**.
- 3 Press **START**. The display shows **Conv. Bake** or **Conv. Roast** and the oven temperature starting at 100 °F.
 - As the oven preheats, the display shows increasing temperatures in 5-degree increments. Once the oven reaches the set adjusted temperature, a tone sounds and the oven light flashes on and off. The display shows the auto-converted oven temperature, 350 °F, and the fan icon.
- 4 When cooking has finished or to cancel, turn the oven mode knob to the **OFF** position.

NOTE

- The oven fan runs while convection baking. The fan stops when the door is open. In some cases, the fan may shut off during a convection bake cycle.

Tips for Convection Baking

- Use Convection Bake for faster and more even multiple-rack cooking of pastries, cookies, muffins, biscuits, and breads of all kinds.
- Bake cookies and biscuits on pans with no sides or very low sides to allow heated air to circulate

around the food. Food baked on pans with a dark finish will cook faster.

- When using Convection Bake, place the oven racks in the positions suggested in the charts in this manual.
- Multiple oven rack cooking may slightly increase cook times for some foods.
- Cakes, cookies and muffins have better results when using multiple racks.

Tips for Convection Roasting

The Convection Roast feature is designed to give optimum roasting performance. Convection Roast combines cooking with the convection fan to roast meats and poultry. The heated air circulates around the food from all sides, sealing in juices and flavors. Foods are crispy brown on the outside while staying moist on the inside. Convection roasting is especially good for large tender cuts of meat, uncovered.

Use a broiler pan and grid when preparing meats for convection roasting. The broiler pan catches grease spills and the grid helps prevent grease splatters.

- 1 Place the oven rack in the recommended position.
- 2 Place the grid in the broiler pan.
- 3 Place the broiler pan on the oven rack.

NOTE

- Broiler pan and grid are sold separately

CAUTION

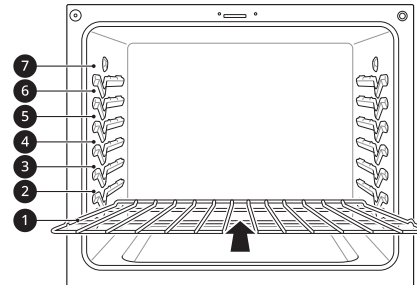
- Do not use a broiler pan without a grid.
- Do not cover the grid with aluminum foil.
- Position food (fat side up) on the grid.

Recommended Baking and Roasting Guide

Baking results will be better if baking pans are centered in the oven as much as possible. If cooking on multiple racks, place the oven racks in the positions shown.

Multiple-rack cooking saves time and energy. Whenever possible, cook foods requiring the same cooking temperature together in one oven.

Rack and Pan Placement



Multiple rack baking	
Offset rack (Position 4)	Heavy duty rack (Position 1)

Single rack baking
Heavy duty rack

Baking Rack Guide

Food	Rack position	
Cakes	Layer cakes	2
	Bundt cakes	3
	Angel food cake	3
Cookies	Sugar cookies	3
	Chocolate chips	3
	Brownies	3
Pizza	Fresh	4
	Frozen	4
Pastry Crust	From scratch	4
	Refrigerated	4
Breads	Biscuit, canned	5
	Biscuit, from scratch	5
	Muffins	4

40 OPERATION

Food		Rack position
Desserts	Fruit crisps and cobblers, from scratch	3
	Pies, from scratch, 2-crust fruit	3
Custards	Cheesecake, crème brûlée	2
Soufflés	Sweet or savory	2
Casserole	Frozen lasagna	5

Roasting Rack Guide

Food			Rack position
Beef	Rib	Rare	2
		Medium	2
		Well done	2
	Boneless rib, top sirloin	Rare	2
		Medium	2
		Well done	2
Beef tenderloin	Rare	2	
	Medium	2	
Pork	Rib		2
	Bone-in, sirloin		2
	Ham, cooked		2
Poultry	Whole chicken		3
	Chicken pieces		3
	Turkey		3

Broil

The Broil function uses intense heat from the upper heating element to cook food. Broiling works best for tender cuts of meat, fish, and thinly cut vegetables.

Some models may feature a hybrid broiler consisting of an inner broiler that utilizes a carbon heating element which provides instantaneous heat, and a traditional outer broiling element. During normal broiler operation, it is normal for either element to cycle off intermittently.

CAUTION

- Do not use a broiler pan without a grid. Oil can cause a grease fire.
- Do not cover the grid and broiler pan with aluminum foil. Doing so will cause a fire.

- Always use a broiler pan and grid for excess fat and grease drainage. This will help to reduce splatter, smoke, and flare-ups.
- When using your broiler, the temperature inside the oven will be extremely high. Take care to avoid possible burns by:
 - Keeping the door closed when broiling
 - Always wearing oven mitts when inserting or removing food items

NOTE

- This range is designed for closed-door broiling. Close the door to set the Broil function. If the door is open, the Broil function cannot be set and "door" appears on the display. Close the door and reset the Broil function. If the door is opened during broiling, the broil burner turns off after five seconds. The broiler turns back on automatically once the door is closed.

Setting the Oven to Broil

- 1 Turn the oven mode knob to select **Broil**.
 - Press **1** to set **Hi** or press **2** to set **Lo**.
- 2 Press **START**. The oven begins to heat.
- 3 Let the oven preheat for approximately five minutes before cooking the food if using **Broil**.
- 4 Turn the oven mode knob to the **OFF** position to cancel at any time or when cooking is complete.

Tips for Reducing Smoke

Due to the intense heat associated with broiling, it is normal to experience smoke during the cooking process. This smoke is a natural byproduct of searing and should not cause you to worry. If you are experiencing more smoke than you are comfortable with, use the following tips to reduce the amount of smoke in your oven.

- Always use a broiler pan. Do not use saute pans or regular baking sheets for safety reasons.
- The broiler pan should always be thoroughly cleaned and at room temperature at the beginning of cooking.

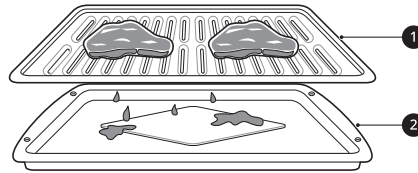
- Always run your cooktop ventilation system or vent hood during broiling.
- Keep the interior of your oven as clean as possible. Leftover debris from prior meals can burn or catch fire.
- Avoid fatty marinades and sugary glazes. Both of these will increase the amount of smoke you experience. If you would like to use a glaze, apply it at the very end of cooking.
- If you are experiencing significant smoke with any food item, consider:
 - Lowering the broiler to the **Lo** setting.
 - Lowering the rack position to cook the food farther away from the broiler.
 - Using the **Hi** broil setting to achieve the level of searing you desire, and then either switching to the **Lo** broil setting, or switching to the Bake function.
- As a rule, fattier cuts of meat and fish will produce more smoke than leaner items.
- Adhere to the guidelines in the **Recommended Broiling Guide** section whenever possible.

42 OPERATION

Recommended Broiling Guide

The size, weight, thickness, starting temperature, and your preference of doneness will affect broiling times.

This guide is based on meats at refrigerator temperature. For best results when broiling, use a pan designed for broiling.



❶ Grid (sold separately)

❷ Broiler pan (sold separately)

* : This feature is for the offset rack use.

Food	Quantity and/or Thickness	Rack Position	First Side (min.)	Second Side (min.)	Comments	
Hamburgers	9 patties 1/2 to 3/4" thick	7*	6-7	4-5	Space evenly. Up to 9 patties may be broiled at once.	
Beef Steaks	1" thick 1 to 1 1/2 lbs.	Rare	6 (7*)	7	Steaks less than 1" thick cook through before browning. Pan frying is recommended. Slash fat.	
		Medium	6 (7*)	12		
		Well done	6 (7*)	13		
	1 1/2" thick 2 to 2 1/2 lbs.	Rare	4 (5*)	10		
		Medium	4 (5*)	12-15		10-12
		Well done	4 (5*)	25		16-18
Toast	1 to 9 pieces	5 (6*)	1-2	1-2		
Chicken	1 whole, 2 to 2 1/2 lbs., split lengthwise	2 (3*)	35-40	25	Broil skin-side-down first.	
	2 Breasts	2 (3*)	25-30	10-15		
Lobster Tails	2-4 6 to 8 oz. each	3 (4*)	13-16	Do not turn over	Cut through back of shell. Spread open. Brush with melted butter before broiling and halfway through broiling time.	
Fish Fillets	1/4 to 1/2" thick	5 (6*)	7-8	6		
Ham Slices (precooked)	1" thick	3 (4*)	10	5		
	1/2" thick	4 (5*)	7	4		
Pork Chops Well done	2 (1 1/2" thick)	4 (5*)	10	8		
	2 (1" thick) about 1lb.	4 (5*)	13	8-9		

Food	Quantity and/or Thickness	Rack Position	First Side (min.)	Second Side (min.)	Comments
Lamb Chops	2 (1" thick) about 10 to 12 oz.	Medium	5 (6*)	6	
		Well done	5 (6*)	10	
	2 (1 1/2" thick) about 1lb.	Medium	5 (6*)	10	
		Well done	5 (6*)	17	
Bacon	1/2 lb. (about 8 thin slices)	4 (5*)	8	3	

• This guide is only for reference. Adjust cook time according to your preference.

NOTE

- The USDA advises that consuming raw or undercooked fish, meat, or poultry can increase your risk of food-borne illness.
- The USDA has indicated the following as safe minimum internal temperatures for consumption:
 - Ground beef: 160 °F (71.1 °C)
 - Poultry: 165 °F (73.9 °C)
 - Beef, veal, pork, or lamb: 145 °F (62.8 °C)
 - Fish / Seafood: 145 °F (62.8 °C)

Tips for Broiling

- **Beef**
 - Steaks and chops should always be allowed to rest for five minutes before being cut into and eaten. This allows the heat to distribute evenly through the food and creates a more tender and juicy result.
 - Pieces of meat that are thicker than two inches should be removed from the refrigerator 30 minutes prior to cooking. This will help them cook more quickly and evenly, and will produce less smoke when broiling. Cooking times will likely be shorter than the times indicated in the Broiling Chart.
 - For bone-in steaks or chops that have been frenched (all meat removed from around the bone), wrap the exposed sections of bone in foil to reduce burning.
- **Seafood**
 - When broiling skin-on fish, always use the Lo broil setting and always broil the skin side last.
 - Seafood is best consumed immediately after cooking. Allowing seafood to rest after cooking can cause the food to dry out.
 - It is a good idea to rub a thin coating of oil on the surface of the broiling pan before cooking to reduce sticking, especially with fish and seafood. You can also use a light coating of non-stick pan spray.
- **Vegetables**
 - Toss your vegetables lightly in oil before cooking to improve browning.

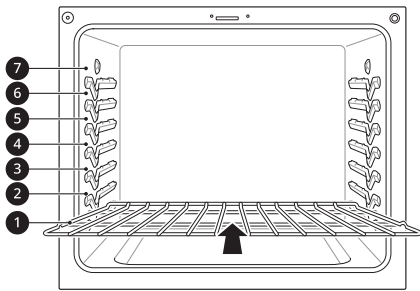
Proof

This feature maintains a warm oven for rising yeast-leavened products before baking. (Set temperature: 92 °F)

Setting the Proof Function

- 1 Use rack position ② or ③ for proofing.

44 OPERATION



- 2 Turn the oven mode knob to select **Proof/Warm** until **Proof** appears in the display.
- 3 Press **1** to set Proof.
- 4 Press **START**.
- 5 Turn the oven mode knob to the **OFF** position when proofing is finished.

NOTE

- To avoid lowering the oven temperature and lengthening proofing time, do not open the oven door unnecessarily. Check bread products early to avoid over proofing.
- Do not use the Proofing mode for warming food or keeping food hot. The proofing oven temperature is not hot enough to keep foods at safe temperatures. Use the Warm feature to keep food warm. Proofing does not operate when the oven is above 125 °F. **Hot** shows in the display.
- It is normal for the fan to operate during the Proof function.

Warm

This function maintains an oven temperature of 170 °F. It will keep cooked food warm for serving up to 3 hours after cooking has finished. The Warm function may be used without any other cooking operations or can be used after cooking has finished using a Timed Cook or a Delayed Timed Cook.

Setting the Warm Function

- 1 Turn the oven mode knob to select **Proof/Warm** until **Proof** appears in the display.

- 2 Press **2** to set **Warm**.
- 3 Press **START**.
- 4 To cancel the Warm function, turn the oven mode knob to the **OFF** position.

NOTE

- The Warm function is intended to keep food warm. Do not use it to cool food down.
- It is normal for the fan to operate during the Warm function.
- The Warm function will be maintained for up to 3 hours unless the oven mode knob is turned to the **OFF** position.

Keep Warm

This function maintains an oven temperature of 170 °F. The Keep Warm function will keep cooked food warm for serving up to 3 hours after cooking has finished. The Keep Warm function should be used with any other cooking operations. The Keep Warm function can be used after cooking has finished using a Timed Cook or a Delayed Timed Cook.

Setting the Keep Warm Function after a Timed Cook

- 1 Select the **Bake, Conv. Bake, Conv. Roast, Air Fry, or Frozen Meal** cooking mode.
- 2 Set the temperature.
- 3 Press **Cook Time** and enter the cook time using the number buttons.
- 4 Press **Keep Warm**. Press **START**.
- 5 To cancel the Keep Warm function, turn the oven mode knob to the **OFF** position.

NOTE

- You can also activate the Keep Warm function while operating some cook modes.

- The Keep Warm function will be maintained for up to 3 hours unless you turn the oven mode knob to the **OFF** position.

Air Fry

This feature automatically increases the entered temperature by 50 °F for optimal performance when using Air Fry.

The Air Fry function is specially designed for oil-free frying.

Setting the Air Fry Function

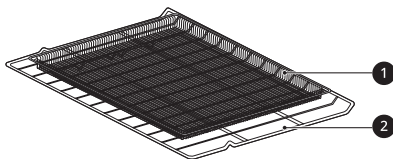
- 1 Turn the oven mode knob to select **Air Fry**. 400 °F appears in the display.
- 2 Set the oven temperature. (Range: 300 °F ~ 550 °F)
- 3 Press **START**.
- 4 When cooking is complete, turn the oven mode knob to the **OFF** position.

NOTE

- No preheating is required when using the Air Fry mode.
- If cooking multiple batches, the later batches may take less time to cook.
- Wet batters and coatings will not crisp or set when using the Air Fry mode.

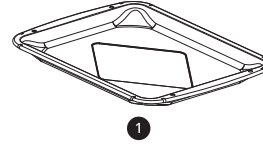
Tips for Air Fry

- For best results, use the provided air fry tray.
 - The air fry tray can be cleaned in a dishwasher.



- ① Air Fry Tray
- ② Heavy Duty Rack

- If you don't have the air fry tray, place food on a wire rack inside a foil-lined broiler pan.



- ① Broiler Pan (sold separately)

- For best results, cook food on a single rack placed in the positions suggested in the chart in this manual.
- Spread the food out evenly in a single layer.
- Use either the provided air fry tray or a dark baking tray with no sides or short sides that does not cover the entire rack. This allows for better air circulation.
- If desired, spray the baking tray or air fry tray with a pan spray. Use an oil that can be heated to a high temperature before smoking, such as avocado, grapeseed, peanut or sunflower oil.
- Place a foil-lined baking tray on a rack in position 1 to catch the oil falling from the food. For high-fat foods like chicken wings, add a few sheets of parchment paper to absorb the fat.
- Check food often and shake it or turn it over for crisper results.
- Prepared frozen foods may cook faster with the Air Fry mode than stated on the package. Reduce the cooking time by about 20 percent, check food early, and adjust cooking time as needed.
- Use a food thermometer to make sure food has reached a safe temperature for consumption. Eating undercooked meats can increase your risk of food-borne illness.
- For the crispiest results, dredge fresh chicken wings or tenders in seasoned flour. Use 1/3 cup flour for 2 pounds of chicken.

Recommendations When Air Frying High-Fat Foods

Foods high in fat will smoke when using the Air Fry mode. For best results, follow these recommendations when air frying foods that are high in fat, such as chicken wings, bacon, sausage, hot dogs, turkey legs, lamb chops, ribs, pork loin, duck breasts, or some plant-based proteins.

46 OPERATION

CAUTION

- Never cover slots, holes, or passages in the oven bottom or cover entire racks with materials such as aluminum foil. Doing so blocks airflow through the oven and can result in carbon monoxide poisoning. Aluminum foil can also trap heat, causing a fire hazard or poor oven performance.
- Clean the grease filters on your exhaust hood regularly.
- Turn on your exhaust hood at a high fan setting before you start Air Fry and leave it on for 15 minutes after you're done.
- Open a window or sliding glass door, if possible, to make sure the kitchen is well-ventilated.
- Keep the oven free from grease buildup. Wipe down the interior of the oven before and after air frying (once the oven has cooled).
- Run oven cleaning cycles (Easy Clean or SelfClean) regularly, depending on how often and what types of food you Air Fry.
- Avoid opening the oven door more than necessary to help maintain the oven temperature, prevent heat loss, and save energy.
- Air-frying fresh chicken pieces such as wings or drumsticks with the skin left on can produce smoke as the fat renders at high temperatures. If the smoke is excessive, use the Convection Roast mode instead of Air Fry.

Recommended Air Frying Guide

- Arrange food evenly in a single layer.
- Put a foil-lined baking pan on a rack in position 1 to catch drips. If needed, add parchment paper to absorb oil and reduce smoking.
- Flip food over during cooking to avoid burning it.

† High-fat items may produce more smoke when cooked using Air Fry. For less smoke, cook using Convection Roast mode.

Recommended Items	Quantity (oz)	Temp. (°F)	Rack Position	Time	Guide
POTATOES-Frozen					
Frozen French Fries (Shoestring)	20	425	3	15-25	
Frozen French Fries (Crinkle cut, 3/8" or 10 mm)	35	425	3	15-25	
Frozen Sweet Potato Fries	25	425	3	15-30	
Frozen Tater Tots	50	450	3	20-30	
Frozen Hash Browns	40	450	3	25-35	
POTATOES-Fresh/Homemade					
Homemade French Fries (3/8" x 3/8" or 10 x 10 mm)	25	450	3	25-35	Cut the potatoes and soak for 30 minutes in hot tap water. Drain and pat dry. Brush or lightly spray with 3 tbsp. of oil. Add salt and pepper to taste.
Homemade Potato Wedges	60	450	3	35-45	
CHICKEN-Frozen					

Recommended Items	Quantity (oz)	Temp. (°F)	Rack Position	Time	Guide
Frozen Chicken Nuggets, Crispy	30	400	3	15-25	
Frozen Chicken Strips	35	425	3	25-35	
Frozen Hot Wings, Bone-in	50	425	3	25-35	
CHICKEN-Fresh, Skin on					
Fresh Chicken Wings [†]	40	450	3	25-35	Brush or lightly spray with 1 tbsp. of oil. Add salt and pepper to taste.
Fresh Chicken Drumsticks [†]	70	450	3	30-40	
Thighs	40	450	3	30-35	
Breasts	40	450	3	30-35	
OTHER					
Frozen Onion Rings, Breaded	20	400	3	20-30	
Frozen Spring Rolls (0.7 oz. each)	45	425	3	25-35	
Thin Sausage [†] (2.5 oz. each, diameter 0.8")	90	400	3	25-35	
Frozen Coconut Shrimp	25	425	3	20-30	Brush or lightly spray the surface of food with oil.
Fresh Scallops on the half shell (35 oz.)	35	425	3	20-30	Melt 4 tbsp. of butter and brush on scallops. Mix 1/2 cup bread crumbs, 1 tbsp. minced garlic, 1/4 cup grated parmesan cheese and season to taste. Sprinkle mixture over scallops.
Fresh Shrimp	50	425	3	20-30	
Mixed Vegetables	35	425	3	20-30	Brush or lightly spray with 4 tbsp. of olive oil. Add salt and pepper to taste.

Air Sous-Vide (Model LSGL6337*)

This feature is only available on some models.

Air Sous-Vide cooking uses air to cook foods "low and slow." Use it to cook meat, fish, seafood, poultry or vegetables. Food must be vacuum packed in pouches before cooking.

- It is not necessary to preheat the oven when using Air Sous-Vide.
- Refer to the cooking guide for recommended Air Sous-Vide settings.

Benefits of Air Sous-Vide

The lower temperatures and long cooking times used in Air Sous-Vide cooking provide many benefits.

- Healthier
 - Compared to other cooking methods, Air Sous-Vide retains most of the original nutrients in food.

48 OPERATION

- Safe and Convenient
 - The long cooking times used in Air Sous-Vide cooking allow food to be pasteurized. Because food is vacuum packed before cooking, the unopened pouches can be quickly chilled in an ice bath and stored in the freezer or refrigerator after cooking.
- Crisp and Moist Results
 - The fine temperature control of Air Sous-Vide cooking is an excellent way to achieve the perfect texture when cooking meat and poultry. The low temperatures used retain more of the moisture in food than conventional cooking methods. After cooking, a final sear in a frying pan adds the perfect crisp finish.

Setting Air Sous-Vide Mode

- 1** Place the heavy duty rack in position 3 and place the sealed food bag on it.
- 2** Turn the oven mode knob to select **Air Sous-Vide** mode.
- 3** Set the desired oven temperature. (Range: 100 °F ~ 205 °F)
- 4** Press **START**.
- 5** Once cooking is finished, allow the oven to cool completely.

Recommended Air Sous-Vide Guide

Food		Quantity	Rack Position	Temp. (°F)	Time		
					Min.	Target	Max.
Beef Steaks		1" thick 14 - 17 oz.	1	135	-	2.5 hr.	3 hr.
Chicken	Breasts	4 - 6 oz.	1	150	-	2 hr.	3 hr.
	Thighs (bone-in)	6 - 8 oz.	-	155	-	4 hr.	6 hr.
Salmon		1" thick 5 - 7 oz.	1	130	-	2 hr.	2.5 hr.
Vegetables	Asparagus	2.8 oz. / 6 ea 5.6 oz. / 12 ea	1	185	20 min.	30 min.	45 min.
	Potatoes	1/2" diced up to 36 oz.	1	200	-	2 hr.	-
	Carrots	1/2" diced up to 18 oz.	1	200	1.5 hr.	2 hr.	3 hr.

Frozen Meal

The Frozen Meal function is specially designed for cooking frozen prepared meals. It heats from both the top and bottom to brown food more evenly.

This system is designed to give the optimum cooking performance by automatically selecting a combination of the broil and bake heating systems. No preheating is required when using the Frozen Meal mode. For best results with frozen pizza, cook food on a single rack placed in position 4 at 400 °F.

Setting the Frozen Meal Function

- 1** Turn the oven mode knob to select **Frozen Meal**. **Frozen Meal** appears in the display.
- 2** Set the suggested cook temperature from the packaging using the number buttons. (Range: 300 °F ~ 550 °F)

- 3 Press **START**. The Frozen Meal function starts operation.
- 4 When cooking is complete, turn the oven mode knob to the **OFF** position.

NOTE

- To cancel the Frozen Meal function during use, turn the oven mode knob to the **OFF** position at any time.

Slow Cook (Model LSGL6335*)

This feature is only available on some models.

The Slow Cook function is specially designed for grilling beef, pork and poultry. It is common for the surface of the food to darken after the completion of the Slow Cook. No preheating is required when using the Slow Cook mode.

Setting the Slow Cook Function

- 1 Turn the oven mode knob to select **Slow Cook**. **Hi** appears in the display.
- 2 Select the desired option by pressing either 1 or 2.
 - 1: Hi (275 °F)
 - 2: Lo (220 °F)
- 3 Press **START**.
 - The Slow Cook function starts operation.
- 4 When cooking is complete, turn the oven mode knob to the **OFF** position.

NOTE

- To cancel Slow Cook during use, turn the oven mode knob to the **OFF** position at any time.
- For best results, use a single rack in position 1 or 2.

Remote Start

This feature starts preheating and maintains the temperature for up to 12 hours (including preheating time). The appliance must be

connected to a home Wi-Fi network to use Remote Start. Once Remote Start is selected on the appliance, you can start or stop it remotely using the LG ThinQ smartphone app. Follow the instructions in the Smart Functions section to connect the appliance to the network.

Setting Remote Start

- 1 Open the oven door to make sure the oven is ready for pre-heating. Close the oven door.
- 2 Turn the oven mode knob to select **Remote Start**.
- 3 When **ON** appears in the display, the Remote Start function is ready to use.
- 4 Follow the instructions in the smartphone app to set the cook mode, temperature, and run time (preheating time plus holding time).

NOTE

- Remote Start may not start if
 - The appliance is not connected to the Wi-Fi network and/or **OFF** appears in the display.
 - Remote Start is not set up in the smartphone app.
 - The oven door is open. If the oven door is open, a short beep sounds.

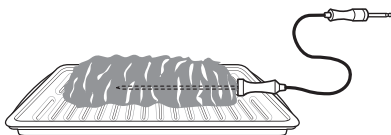
Meat Probe (Model LSGL6337*)

This feature is only available on some models.

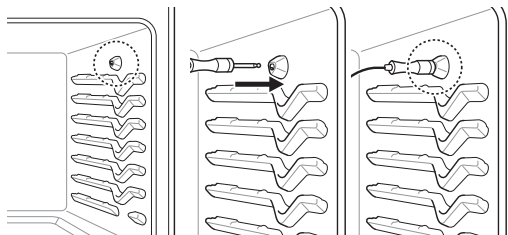
The meat probe accurately measures the internal temperature of meat, poultry and casseroles. It should not be used during broiling, self clean, warming, proofing, Frozen Meal or Air Sous-Vide. Always unplug and remove the meat probe from the oven when removing food. Before using, insert the probe into the center of the thickest part of the meat or into the inner thigh or breast of poultry, away from fat or bones. Place food in the oven and connect the meat probe to the jack. Keep the probe as far away from heat sources as possible.

- 1 Insert the meat probe into the meat.

50 OPERATION



- 2 Connect the meat probe to the jack.



- 3 The meat probe icon flashes in the display if the meat probe is properly connected.

Setting the Meat Probe Function (example for roast at 375 °F with probe temp. 160 °F)

- 1 Select cook mode. Turn the oven mode knob to select **Conv. Roast**.
- 2 Set the oven temperature: touch **3, 7** and **5** until 375 °F appears in the display.
- 3 Press **START**.
- 4 Set the probe temperature: touch **1, 6** and **0** until 160 °F appears in the display.
- 5 Press **START**.

NOTE

- The default probe temperature is 150 °F (65 °C), but can be changed to any temperature between 80 °F (27 °C) and 210 °F (100 °C). The display shows the changing probe temperature. When the set probe temperature is reached, the oven shuts off automatically.

Changing the Probe Temperature

- 1 Press **Temp.**

- 2 Set the oven temperature.

- 3 Press **START**.

- 4 Set the probe temperature.

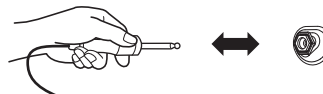
- 5 Press **START**.

IMPORTANT NOTE

Turn the oven mode knob to the **OFF** position to cancel the Meat Probe function at any time. To avoid breaking the probe, make sure food is completely defrosted before inserting.

CAUTION

- Always use an oven mitt to remove the temperature probe. Do not touch the broil element. Failure to obey this caution can result in severe personal injury.
- To avoid damage to the meat probe, do not use tongs to pull on the probe when removing it.
- Do not store the meat probe in the oven.
- Do not pull on the wire to remove the probe. Hold the probe head, not the wire, when inserting or removing the probe.



Recommended Probe Temperature

Beef, Lamb and Veal

Rare: 130 °F (54 °C)

Medium Rare: 140 °F (60 °C)

Medium: 150 °F (66 °C)

Well Done: 160 °F (71 °C)

Pork

Well Done: 170 °F (77 °C)

Poultry

Breast, Well Done: 170 °F (77 °C)

Thigh, Well Done: 180 °F (82 °C)

Stuffing, Well Done: 165 °F (74 °C)

Using the Sabbath Mode

Sabbath mode is typically used on the Jewish Sabbath and Holidays. When the Sabbath mode is activated, the oven does not turn off until the Sabbath mode is deactivated. In Sabbath mode, all oven function buttons and cooktop knobs are inactive. 5b will appear in the display.

- 1 Disconnect the probe. The probe function is not available in Sabbath mode.
- 2 Turn the oven mode knob to select **Bake**.
- 3 Set the desired temperature and cook time.
- 4 Press **START**.
- 5 Press and hold **Settings** for three seconds. 5b appears in the display when the Sabbath mode is activated.

5b

- 6 To stop the Sabbath mode, press and hold **Settings** for three seconds. To cancel the Bake function, set the oven mode knob to the **OFF** position at any time.

NOTE

- Sabbath mode is only available when the oven is in the **Bake** mode.
- If a cook time is set, the oven turns off automatically at the end of the cook time, without chiming. The oven remains in Sabbath mode, but is turned off.
- If no cook time is set, the oven will not automatically turn off.
- After a power failure, the display will turn back on in Sabbath mode, but the oven will be off.
- Always close the oven door before engaging Sabbath mode.

52 SMART FUNCTIONS

SMART FUNCTIONS

LG ThinQ Application

This feature is only available on models with Wi-Fi.

The **LG ThinQ** application allows you to communicate with the appliance using a smartphone.

LG ThinQ Application Features

- **Smart Diagnosis™**
 - This function provides useful information for diagnosing and solving issues with the appliance based on the pattern of use.
- **Settings**
 - Allows you to set various options on the oven and in the application.
- **Scan to Cook**
 - Scan the barcode on a ready-made meal using the LG ThinQ application and send the recommended or customized cooking instructions straight to your oven. **Remote Start** must be activated on the oven to use Scan to Cook.
- **Monitoring**
 - This function helps you check the current status, remaining time, cook settings and end time in one place.
- **Product Notifications**
 - Turn on the Push Alerts to receive appliance status notifications. The notifications are triggered even if the **LG ThinQ** application is not open.
- **Timer**
 - You can set the timer from the application.
- **Firmware Update**
 - Keep the appliance updated.

NOTE

- In the following cases, you must update the network information for each appliance in the **LG ThinQ** application under **Device Cards** → **Settings** → **Change Network**.
 - wireless router is changed
 - wireless router password is changed
 - Internet service provider is changed
- This information is current at the time of publication. The application is subject to change for product improvement purposes without notice to users.

- Scan to Cook cannot be used while the timer is running. Cancel the timer operation to use Scan to Cook.

Installing LG ThinQ Application and Connecting an LG Appliance

Models with QR Code

Scan the QR code attached to the product using the camera or a QR code reader application on your smartphone.



Models without QR Code

- 1** Search for and install the **LG ThinQ** application from the Google Play Store or Apple App Store on a smartphone.
- 2** Run the **LG ThinQ** application and sign in with your existing account or create an LG account to sign in.
- 3** Touch the add (+) button on the **LG ThinQ** application to connect your LG appliance. Follow the instructions in the application to complete the process.

NOTE

- To verify the Wi-Fi connection, check that the Wi-Fi icon on the control panel is lit.
- The appliance supports 2.4 GHz Wi-Fi networks only. To check your network frequency, contact your Internet service provider or refer to your wireless router manual.
- **LG ThinQ** is not responsible for any network connection problems or any faults, malfunctions, or errors caused by network connection.
- The surrounding wireless environment can make the wireless network service run slowly.
- If the distance between the appliance and the wireless router is too far, the signal becomes

weak. It may take a long time to connect or fail to install the application.

- If the appliance is having trouble connecting to the Wi-Fi network, it may be too far from the router. Purchase a Wi-Fi repeater (range extender) to improve the Wi-Fi signal strength.
- The network connection may not work properly depending on the Internet service provider.
- The Wi-Fi may not connect or the connection may be interrupted because of the home network environment.
- If the appliance cannot be connected due to problems with the wireless signal transmission, unplug the appliance and wait about a minute before trying again.
- If the firewall on your wireless router is enabled, disable the firewall or add an exception to it.
- The wireless network name (SSID) should be a combination of English letters and numbers. (Do not use special characters.)
- Smartphone user interface (UI) may vary depending on the mobile operating system (OS) and the manufacturer.
- If the security protocol of the router is set to **WEP**, network setup may fail. Change the security protocol (**WPA2** is recommended), and connect the product again.
- To disable the **Wi-Fi** function, press and hold the **Wi-Fi** button for 3 seconds. The **Wi-Fi** indicator will be turned off.
- To reconnect the appliance or add another user, press and hold the **Wi-Fi** button for 3 seconds. Run the **LG ThinQ** application and follow the instructions in the application to connect the appliance.

Run the **LG ThinQ** application and follow the instructions in the application to connect the appliance.

• **Reconnecting the Appliance or Connecting Another User**

Press and hold the **Wi-Fi** button for 3 seconds. Run the **LG ThinQ** application and follow the instructions in the application to connect the appliance.

RF Module Specifications

Type	Frequency Range	Output Power (Max.)
Wi-Fi	2 412 - 2 462 MHz	< 30 dBm
Bluetooth	2 402 - 2 480 MHz	< 30 dBm

FCC Statement

The following notice covers the transmitter module contained in this product.

This equipment has been tested and found to comply with the limits for a Class B digital device, pursuant to Part 15 of the FCC Rules. These limits are designed to provide reasonable protection against harmful interference in a residential installation. This equipment generates, uses, and can radiate radio frequency energy and, if not installed and used in accordance with the instructions, may cause harmful interference to radio communications. However, there is no guarantee that interference will not occur in a particular installation. If this equipment does cause harmful interference to radio or television reception, which can be determined by turning the equipment off and on, the user is encouraged to try to correct the interference by one or more of the following measures:

- Reorient or relocate the receiving antenna.
- Increase the separation between the equipment and the receiver.
- Connect the equipment into an outlet on a circuit different from that to which the receiver is connected.
- Consult the dealer or an experienced radio/TV technician for help.

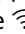
This device complies with part 15 of the FCC Rules. Operation is subject to the following two conditions:

(1) This device may not cause harmful interference and

Installing the LG ThinQ Application

Search for the **LG ThinQ** application from the Google Play Store or Apple App Store on a smartphone. Follow instructions to download and install the application.

Connecting to Wi-Fi

The **Wi-Fi** button, when used with the **LG ThinQ** application, allows the appliance to connect to a home Wi-Fi network. The  icon shows the status of the appliance's network connection. The icon illuminates when the appliance is connected to the Wi-Fi network.

• **Initial Appliance Connection**

54 SMART FUNCTIONS

(2) This device must accept any interference received, including interference that may cause undesired operation.

Any changes or modifications in construction of this device which are not expressly approved by the party responsible for compliance could void the user's authority to operate the equipment.

FCC RF Radiation Exposure Statement

This equipment complies with FCC radiation exposure limits set forth for an uncontrolled environment. This transmitter must not be co-located or operating in conjunction with any other antenna or transmitter.

This equipment should be installed and operated with a minimum distance of 20 cm (7.8 inches) between the antenna and your body. Users must follow the specific operating instructions for satisfying RF exposure compliance.

Open Source Software Notice Information

To obtain the source code that is contained in this product, under GPL, LGPL, MPL, and other open source licenses that have the obligation to disclose source code, and to access all referred license terms, copyright notices and other relevant documents, please visit <https://opensource.lge.com>.

LG Electronics will also provide open source code to you on CD-ROM for a charge covering the cost of performing such distribution (such as the cost of media, shipping, and handling) upon email request to opensource@lge.com.

This offer is valid to anyone in receipt of this information for a period of three years after our last shipment of this product.

Smart Diagnosis™ Feature

Use this feature to help you diagnose and solve problems with your appliance.

NOTE

- For reasons not attributable to LGE's negligence, the service may not operate due to external factors such as, but not limited to, Wi-Fi unavailability, Wi-Fi disconnection, local app store policy, or app unavailability.

- The feature may be subject to change without prior notice and may have a different form depending on where you are located.

Using LG ThinQ to Diagnose Issues

If you experience a problem with your Wi-Fi equipped appliance, it can transmit troubleshooting data to a smartphone using the **LG ThinQ** application.

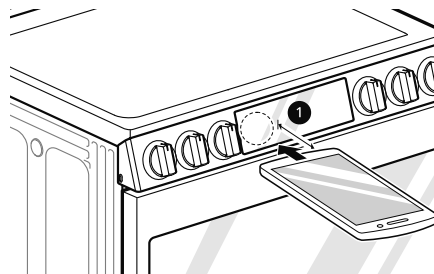
- Launch the **LG ThinQ** application and select the **Smart Diagnosis** feature in the menu. Follow the instructions provided in the **LG ThinQ** application.

Using Audible Diagnosis to Diagnose Issues

Follow the instructions below to use the audible diagnosis method.

- Launch the **LG ThinQ** application and select the **Smart Diagnosis** feature in the menu. Follow the instructions for audible diagnosis provided in the **LG ThinQ** application.

- Press the **START** button for 3 seconds.
 - If the display has been locked, you must deactivate the lock and then reactivate it.
- Hold the mouthpiece of your phone in front of the control panel, as shown below.



- Max: 3/8" (10 mm)

- Keep the phone in place until the tone transmission has finished. The display will count down the time. Once the countdown is over and the tones have stopped, the diagnosis will be displayed in the application.

NOTE

- For best results, do not move the phone while the tones are being transmitted.

MAINTENANCE

Cleaning

CAUTION

- Do not clean this appliance with bleach.
- To prevent burns, wait until the cooktop has cooled down before touching any of its parts.
- Always wear gloves when cleaning the cooktop.

Interior

Do not use oven cleaners to clean the oven cavity. Use the product's **EasyClean** function regularly to clean light soil. For stubborn soil, use the **Self Clean** function (on some models) or clean manually using the following tips.

- A plastic spatula can be used as a scraper to scrape off any chunks or debris before and during oven cleaning.
- Using the rough side of a non-scratch scouring pad may help to take off burnt-on stains better than a soft sponge or towel.
- Certain non-scratch scrubbing sponges, such as those made of melamine foam, available at local stores, can also help improve cleaning.

CAUTION

- Do not use oven cleaners, harsh chemical cleaners, bleach, vinegar, steel scouring pads, or abrasive pads or cleansers to clean the oven, as they can permanently damage the oven surface.
- Do not clean the gasket.

Exterior

Control Panel

To prevent activating the control panel during cleaning, disconnect power to the appliance. Clean up splatters with a damp cloth using a glass cleaner. Remove heavier soil with warm, soapy water. Do not use abrasives of any kind.

Front Manifold Panel and Knobs

Clean the knobs and manifold panel after each use. For best results, use a damp cloth and mild soapy water or a 50/50 solution of vinegar and water. Rinse using clean water and immediately dry and polish with a soft cloth.

CAUTION

- To avoid damaging the finish on the knobs and manifold panel, do not use abrasive cleansers, strong liquid cleaners, plastic scouring pads or oven cleaners.
- Do not try to bend the knobs by pulling them up or down, and do not hang a towel or other object on them. Doing so can damage the gas valve shaft.
- The control knobs may be removed for easy cleaning.
- To remove the knobs, make sure that they are in the **OFF** position and pull them straight off the stems.
- To replace the knobs, make sure the knob has the **OFF** position centered at the top, and slide the knob directly onto the stem.

Painted and Decorative Trim

For general cleaning, use a cloth with hot soapy water. For more difficult soils and built-up grease, apply a liquid detergent directly onto the soil. Leave it on for 30 to 60 minutes. Rinse with a damp cloth and dry. Do not use abrasive cleaners.

Stainless Steel Surfaces

To avoid scratches, do not use steel wool pads.

- 1 Place a small amount of stainless steel appliance cleaner or polish on a damp cloth or paper towel.
- 2 Clean a small area, rubbing with the grain of the stainless steel if applicable.
- 3 Dry and buff with a clean, dry paper towel or soft cloth.
- 4 Repeat as necessary.

NOTE

- To clean the stainless steel surface, use warm sudsy water or a stainless steel cleaner or polish.
- Always wipe in the direction of the metal surface finish.

56 MAINTENANCE

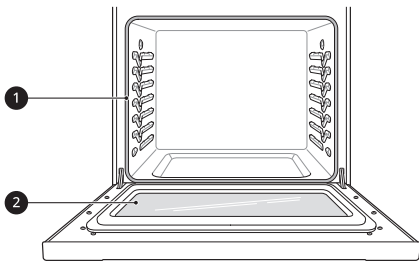
NOTE

- Stainless steel appliance cleaner or polish can be purchased online or from most retailers of appliances or home goods.

Oven Door

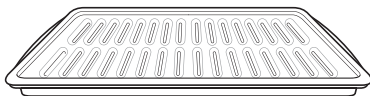
CAUTION

- Do not use harsh cleaners or harsh abrasive cleaning materials on the outside of the oven door. Doing so can cause damage.
- Use soapy water to thoroughly clean the oven door. Rinse well. Do not immerse the door in water.
- You may use a glass cleaner on the outside glass of the oven door. Do not spray water or glass cleaner on the door vents.
- Do not use oven cleaners, cleaning powders, or harsh abrasive cleaning materials on the outside of the oven door.
- Do not clean the oven door gasket. The oven door gasket is made of a woven material that is essential for a good seal. Care should be taken not to rub, damage, or remove this gasket.



- Don't hand clean oven door gasket
- Do hand clean door

Broiler Pan and Grid



- Do not store a soiled broiler pan or grid anywhere in the range.
- Do not clean the broiler pan or grid in a self cleaning mode. (Available on some models)
- Remove the grid from the pan. Carefully pour out the grease from the pan into a proper container.

- Wash and rinse the broiler pan and grid in hot water with a soap-filled or plastic scouring pad.
- If food has burned on, sprinkle the grid with cleaner while hot and cover with wet paper towels or a dishcloth. Soaking the pan will remove burned-on foods.
- Both the broiler pan and grid may be cleaned with a commercial oven cleaner or in the dishwasher.

Oven Racks

Remove the oven racks before operating the Self Clean cycle (on some models) and EasyClean.

- Clean with a mild, abrasive cleaner.
 - Food spilled into the tracks could cause the racks to become stuck.
- Rinse with clean water and dry.

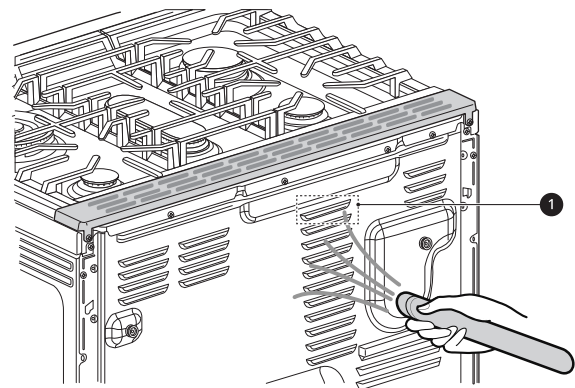
NOTE

- For models with Self Clean function:
 - If the racks are cleaned using the Self Clean cycle (not recommended), the color will turn slightly blue and the finish will become dull. After the Self Clean cycle is complete, and the oven has cooled, rub the sides of the racks with wax paper or a cloth containing a small amount of oil. This will make the racks glide more easily into the rack tracks.

Vent Louvers

- The appearance of the range may differ from model to model.

Use a vacuum cleaner with a brush or crevice attachment to clean the vent louvers ①. Do not remove the panel covering the range.



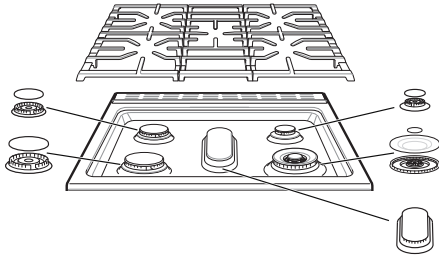
Gas Surface Burners

Removing and Replacing the Gas Surface Burners

Position and size of burners vary by model.

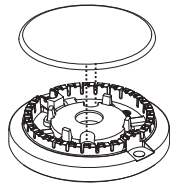
Grates and burner heads/caps can be removed for care and cleaning.

- Take care when installing or removing the grates, as the rough edges may cause scratches on the surface of the cooktop.



CAUTION

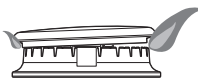
- Make sure burner heads and caps are reinstalled properly. They will be stable and rest flat when correctly installed.



- When burner cap is properly set:



- When burner cap is not properly set:



Cleaning Burner Heads/Caps

For even and unhampered flame, the slits in the burner heads must be kept clean at all times. The burner heads and caps (and the oval burner head and cap assembly) can be lifted off. Do not attempt to remove the oval burner cap.

CAUTION

- Do not hit the electrodes with anything hard. Doing so could damage them.

- Do not use steel wool or scouring powders to clean the burners.

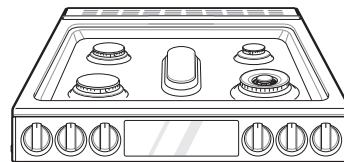
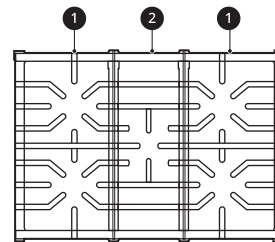
- Wash the burner caps in hot soapy water and rinse with clean water. Run water through the oval burner from the bottom stem to flush out debris.
- Use care when cleaning the cooktop. The pointed metal ends on the electrodes could cause injury. Hitting an electrode with a hard object may damage it.
- To remove burnt-on food, soak the burner heads in a solution of mild liquid detergent and hot water for 20–30 minutes. For stubborn stains, use a toothbrush or wire brush.
- The burners will not operate properly if the burner ports or electrodes are clogged or dirty.
- Burner caps and heads should be cleaned routinely, especially after excessive spillover.
- Burners will not light if the cap is removed.

After Cleaning the Burner Heads/Caps

Shake out any excess water and then let them dry thoroughly. Placing the oval burner upside down will allow the water to drain out more easily. Replace the burner heads and caps over the electrodes on the cooktop in the correct locations according to their size. Make sure the hole in the burner head is positioned over the electrode.

Burner Grates

The range consists of three separate professional-style grates. For maximum stability, these grates should only be used when in their proper position. The center grate can be rotated from front to back.



- ① Side grate
- ② Center grate

58 MAINTENANCE

⚠ CAUTION

- Do not operate a burner for an extended period of time without cookware on the grate. The finish on the grate may chip without cookware to absorb the heat.

Cleaning the Burner Grates

⚠ CAUTION

- Do not lift the grates out until they have cooled.
- Do not put the grate in the oven during self cleaning mode. (On some models)

- Grates should be washed regularly and after spillovers.
- Wash the grates in hot, soapy water and rinse with clean water.
- The grates are dishwasher safe.
- After cleaning the grates, let them dry completely and securely position them over the burners.

Cleaning the Cooktop Surface

The EasyClean coating makes cleaning the cooktop easier. Even heavy grease stains can be removed using only warm water.

⚠ CAUTION

- Before cleaning, turn all controls to **OFF** and allow the cooktop to cool.
- To avoid burns, do not clean the cooktop surface until it has cooled.
- Do not lift the cooktop surface. Lifting the cooktop surface can lead to damage and improper operation of the range.
- When water is spilled on the cooktop, wipe up water immediately. If water is left on the cooktop for a long time, discoloration may occur.

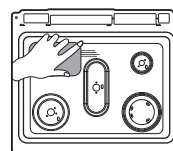
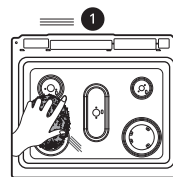
Foods with high acid or sugar content may cause a dull spot if allowed to set. Wash and rinse soon after the surface has cooled. For other spills such as oil/grease spattering, wash with soap and water when the surface has cooled, then rinse and polish with a dry cloth.

- 1 Remove grates, burners and burner caps from the cooktop.
- 2 Scrape off and remove any burned-on debris with a plastic scraper or old credit card.

- 3 Clean the cooktop with a wet, non-scratch scouring sponge or pad.

NOTE

- EasyClean Stainless Steel Cooktop
 - To avoid scratching the cooktop surface, do not use abrasive or metal scouring sponges or pads.
 - Rub in the direction of the grain to avoid damaging the surface.



- 1 Direction of the grain

- As with any cooktop, some stains may not be removable.
- To remove hardened residue on the cooktop, use a kitchen detergent for easier cleaning.

EasyClean

This feature is only available on some models.

LG's EasyClean enamel technology provides two cleaning options for the inside of the range. The EasyClean feature takes advantage of LG's new enamel to help lift soils without harsh chemicals, and it runs using **ONLY WATER** for just 10 minutes in low temperatures to help loosen **LIGHT** soils before hand cleaning.

While EasyClean is quick and effective for small and **LIGHT** soils, the Self Clean feature can be used to remove **HEAVY**, built up soils. The intensity and high heat of the Self Clean cycle may result in smoke which will require the opening up of windows to provide ventilation. Compared to the more intense Self Clean process, your LG oven gives you the option of cleaning with **LESS HEAT**, **LESS TIME**, and virtually **NO SMOKE OR FUMES**. You can reduce energy use by cleaning light oven soils with the EasyClean feature instead of Self Clean.

When needed, the range still provides the Self Clean option for longer, more thorough oven

cleaning for heavier, built up soils. (On some models)

- For hard to reach areas such as the back surface of the oven, it is better to use the Self Clean cycle.

Benefits of EasyClean

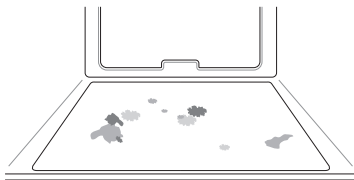
- Helps loosen light soils before hand-cleaning
- EasyClean only uses water; no chemical cleaners
- Makes for a better Self Clean experience (On some models)
 - Delays the need for a Self Clean cycle
 - Minimizes smoke and odors
 - Can allow shorter Self Clean time

NOTE

- For models without Self Clean option
 - The EasyClean feature may not be effective in removing heavy, built-up soils. Because the range does not include a Self Clean option, clean the oven regularly using the EasyClean feature to prevent heavy, burnt-on soil from building up in the oven.

When to Use EasyClean

- Example of oven soiling



Case 1

- Soil pattern: Small drops or spots
- Types of soils: Cheese or other ingredients
- Common food items that can soil your oven: Pizza

Case 2

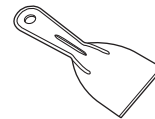
- Soil pattern: Light splatter
- Types of soils: Fat/grease
- Common food items that can soil your oven: Steaks, broiled / Fish, broiled / Meat roasted at low temperatures

EasyClean Instruction Guide

NOTE

- Allow the oven to cool to room temperature before using the EasyClean cycle. If your oven cavity is above 150 °F (65 °C), Hot will appear in the display, and the EasyClean cycle will not be activated until the oven cavity cools down.
- The range should be level to ensure that the bottom surface of the oven cavity is entirely covered by water at the beginning of the EasyClean cycle.
- For best results, use distilled or filtered water. Tap water may leave mineral deposits on the oven bottom.
- Soil baked on through several cooking cycles will be more difficult to remove with the EasyClean cycle.
- Do not open the oven door during the EasyClean cycle. Water will not get hot enough if the door is opened during the cycle.

- 1 Remove oven racks and accessories from the oven.
- 2 Scrape off and remove any burnt-on debris with a plastic scraper.

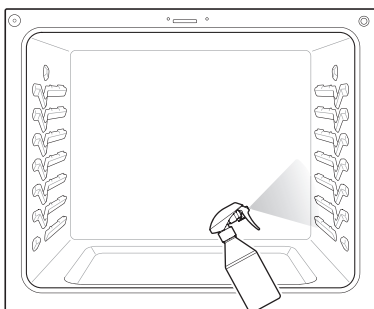


- Suggested plastic scrapers:

- Hard plastic spatula
- Plastic pan scraper
- Plastic paint scraper
- Old credit card

- 3 Fill a spray bottle (10 oz or 300 ml) with water and use the spray bottle to thoroughly spray the inside surfaces of the oven.
- 4 Use at least 1/5 (2 oz or 60 ml) of the water in the bottle to completely saturate the soil on both the walls and in the corners of the oven.

60 MAINTENANCE



- 5** Spray or pour the remaining water (8 oz or 240 ml) onto the bottom center of the oven cavity. The indentation on the oven bottom should be fully covered to submerge all soils. Add water if necessary.

NOTE

- If cleaning multiple ovens, use an entire bottle of water to clean each oven. Do not spray water directly on the door. Doing so will result in water dripping to the floor.

- 6** Close the oven door. Turn the oven mode knob to select **EasyClean**. Press **START**.

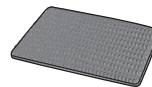
CAUTION

- Some surfaces may be hot after the EasyClean cycle. Wear rubber gloves while cleaning to prevent burns.
- During the EasyClean cycle, the oven becomes hot enough to cause burns. Wait until the cycle is over before wiping the inside surface of the oven. Failure to do so may result in burns.
- Avoid leaning or resting on the oven door glass while cleaning the oven cavity.

- 7** A tone will sound at the end of the 10 minute cycle. Turn the oven mode knob to the **OFF** position to clear the display and end the tone.

- 8** After the cleaning cycle and during hand-cleaning, enough water should remain on the oven bottom to completely submerge all soils. Add water if necessary. Place a towel on the floor in front of the oven to capture any water that may spill out during hand-cleaning.

- 9** Clean the oven cavity immediately after the EasyClean cycle by scrubbing with a wet, non-scratch scouring sponge or pad. (The scouring side will not scratch the finish.) Some water may spill into the bottom vents while cleaning, but it will be captured in a pan under the oven cavity and will not hurt the burner.



NOTE

- Do not use any steel scouring pads, abrasive pads or cleaners as these materials can permanently damage the oven surface.

- 10** Once the oven cavity is cleaned, wipe any excess water with a clean dry towel. Replace racks and any other accessories.

- 11** If some light soils remain, repeat the above steps, making sure to thoroughly soak the soiled areas.
- For models with Self Clean function
 - If stubborn soils remain after multiple EasyClean cycles, run the Self Clean cycle. Be sure that the oven cavity is empty of oven racks and other accessories, and that the oven cavity surface is dry before running the Self Clean cycle. Consult the Self Clean section of your owner's manual for further details. If a Self Clean option is not available, scrape off and remove stubborn soil using a scraper.

NOTE

- If you forget to saturate the inside of the oven with water before starting EasyClean, turn the oven mode knob to the **OFF** position to end the cycle. Wait for the range to cool to room temperature and then spray or pour water into the oven and start another EasyClean cycle.
- The cavity gasket may be wet when the EasyClean cycle finishes. This is normal. Do not clean the gasket.
- If mineral deposits remain on the oven bottom after cleaning, use a cloth or sponge soaked in vinegar to remove them.
- It is normal for the fan to operate during the EasyClean cycle.

- Using commercial oven cleaners or bleach to clean the oven is not recommended. Instead, use a mild liquid cleanser with a pH value below 12.7 to avoid discoloring the enamel.

Self Clean

This feature is only available on some models.

The Self Clean cycle uses extremely hot temperatures to clean the oven cavity. While running the Self Clean cycle, you may notice smoking or an odor. This is normal, especially if the oven is heavily soiled. During Self Clean, the kitchen should be well ventilated to minimize the odors from cleaning.

Before Starting Self Clean

- Clean only parts listed in manual. Remove the oven racks, broiler pan, broiler grid, all cookware, aluminum foil or any other material from the oven.
 - If oven racks are left in the oven cavity during the Self Clean cycle, they will discolor and become difficult to slide in and out.
- The kitchen should be well ventilated to minimize the odors from cleaning. Open a window or turn on a ventilation fan or hood before self-cleaning.
- Wipe any heavy spillovers on the bottom of the oven.
- Make sure that the oven light cover is in place and the oven light is off.
- Clean the frame of the oven and door with hot soapy water. Rinse well.

⚠ WARNING

- If the oven is heavily soiled with oil, self-clean the oven before using the oven again. The oil could cause a fire.
- If there is a fire in the oven during self-clean, turn the oven off and wait for the fire to go out. Do not force the door open. Introduction of fresh air at self-clean temperatures may lead to a burst of flame from the oven. Failure to follow this instruction may result in severe burns.

⚠ CAUTION

- Do not use oven cleaners. Commercial oven cleaner or oven liner protective coating of any kind should not be used in or around any part of the oven.


- The oven displays an F error code and sounds three long beeps during the self-cleaning process if it malfunctions in the self-clean mode. Switch off the electrical power to the main fuse or breaker and have the oven serviced by a qualified technician.
- If the self cleaning mode malfunctions, turn the range off and disconnect the power supply. Have it serviced by a qualified technician.
- It is normal for parts of the oven to become hot during a Self Clean cycle. Avoid touching the cooktop, door, window or oven vent area during a Self Clean cycle.
- Do not leave small children unattended near the appliance. During the Self Clean cycle, the outside of the range can become very hot to the touch.
- If you have pet birds, move them to another well-ventilated room. The health of some birds is extremely sensitive to the fumes given off during the Self Clean cycle of any range.
- Do not line the oven walls, racks, bottom or any other part of the range with aluminum foil or any other material. Doing so will destroy heat distribution, produce poor baking results and cause permanent damage to the oven interior (aluminum foil will melt to the interior surface of the oven).
- Do not force the door open. This can damage the automatic door locking system. Use care when opening the oven door after the Self Clean cycle. Stand to the side of the oven when opening the door to allow hot air or steam to escape. The oven may still be VERY HOT.

NOTE

- The oven light cannot be turned on during a Self Clean cycle. The oven light cannot be turned on until the oven temperature has cooled below 500 °F (260 °C) after a Self Clean cycle is complete.
- During the Self Clean cycle, the cooktop elements and warming drawer cannot be used.
- Clean the frame of the oven and door with hot soapy water. Rinse well.
- Do not clean the gasket. The fiberglass material of the oven door gasket cannot withstand abrasion. It is essential for the gasket to remain intact. If you notice it becoming worn or frayed, replace it.
- It is normal for the fan to operate during the Self Clean cycle.

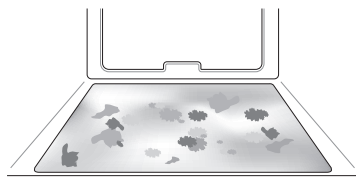
62 MAINTENANCE

NOTE

- As the oven heats, you may hear sounds of metal parts expanding and contracting. This is normal and will not damage the oven.
- You may notice some white ash in the oven. Wipe it off with a damp cloth or a soap-filled steel wool pad after the oven cools. If the oven is not clean after one Self Clean cycle, repeat the cycle.
- If oven racks were left in the oven and do not slide smoothly after a Self Clean cycle, wipe racks and rack supports with a small amount of vegetable oil to make them glide more easily.
- After a Self Clean cycle, fine lines may appear in the porcelain because it went through heating and cooling. This is normal and will not affect performance.
- The Self Clean cycle cannot be started if the Control Lock / Lockout feature is active.
- Once the Self Clean cycle is set, the oven door locks automatically. You will not be able to open the oven door until the oven is cooled. The lock releases automatically.
- Once the door has been locked, the lock  indicator light stops flashing and remains on. Allow about 15 seconds for the oven door lock to activate.
- If the clock is set for a 12-hour display (default) the Delayed Self Clean can never be set to start more than 12 hours in advance.
- After the oven is turned off, the convection fan keeps operating until the oven has cooled down.

When to Use Self Clean

- Example of oven soiling



Case 1

- Soil pattern: Medium to heavy splatter
- Types of soils: Fat/grease
- Common food items that can soil your oven: Meat roasted at high temperatures

Case 2

- Soil pattern: Drops or spots

- Types of soils: Filling or sugar based soils
- Common food items that can soil your oven: Pies

Case 3

- Soil pattern: Drops or spots
- Types of soils: Cream or tomato sauce
- Common food items that can soil your oven: Casseroles

NOTE


- The Self Clean cycle can be used for soil that has been built up over time.

Setting Self Clean

The Self Clean function has cycle times of 3, 4, or 5 hours.

Self Clean Soil Guide

Soil Level	Cycle Setting
Lightly Soiled Oven Cavity	3-Hour Self Clean
Moderately Soiled Oven Cavity	4-Hour Self Clean
Heavily Soiled Oven Cavity	5-Hour Self Clean

- 1 Remove all racks and accessories from the oven.
- 2 Turn the oven mode knob to select **Self Clean**. The oven defaults to the recommended four-hour Self Clean for a moderately soiled oven. Press buttons as below to select a self clean time from 3 to 5 hours.
 - 1 : 3 hours
 - 2 : 4 hours
 - 3 : 5 hours
- 3 Press **START**.
- 4 Once the Self Clean cycle is set, the oven door locks automatically and the lock icon  displays. You will not be able to open the oven door until the oven has cooled. The lock releases automatically when the oven has cooled.

CAUTION

- Do not force the oven door open when the lock icon is displayed. The oven door remains locked until the oven temperature has cooled. Forcing the door open will damage the door.

Setting Self Clean with a Delayed Start

- 1 Remove all racks and accessories from the oven.
- 2 Turn the oven mode knob to select **Self Clean**. The oven defaults to the recommended four-hour self clean for a moderately soiled oven. Press buttons as below to select a self clean time from 3 to 5 hours.
 - 1 : 3 hours
 - 2 : 4 hours
 - 3 : 5 hours
- 3 Press **Start Time**.
- 4 Set the time of day you would like the Self Clean to start by pressing numbers.
- 5 Press **START**.

NOTE

- It may become necessary to cancel or interrupt a Self Clean cycle due to excessive smoke or fire in the oven. To cancel the Self Clean function, turn the oven mode knob to the **OFF** position.

Removing/Assembling Lift-Off Oven Doors

NOTE

- Parts may be changed due to product improvement and may look different than shown in images.

Door Care Instructions

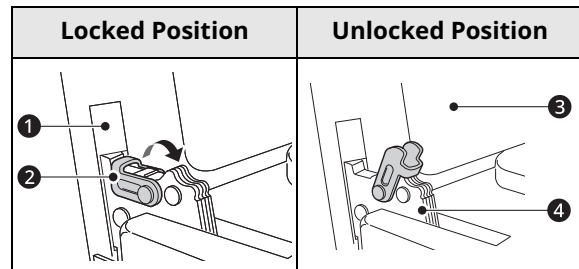
Most oven doors contain glass that can break.

CAUTION

- Do not close the oven door until all the oven racks are fully in place.
- Do not hit the glass with pots, pans, or any other object.
- Scratching, hitting, jarring, or stressing the glass may weaken its structure causing an increased risk of breakage at a later time.

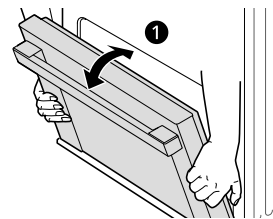
Removing Doors

- 1 Fully open the door.
- 2 Lift up the hinge lock ② and flip it towards the hinge arm ④ completely. Repeat on other side.



- ① Slot
- ② Hinge Lock
- ③ Oven Frame
- ④ Hinge Arm

- 3 Firmly grasp both sides of the door at the top.
- 4 Partially close the door to approximately 5 degrees ①. If the position is correct, the hinge arms will move freely.



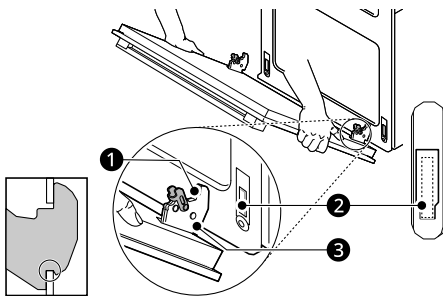
- ① about 5°

64 MAINTENANCE

- 5 Lift and pull the door towards you until the hinge latches are completely loosened.

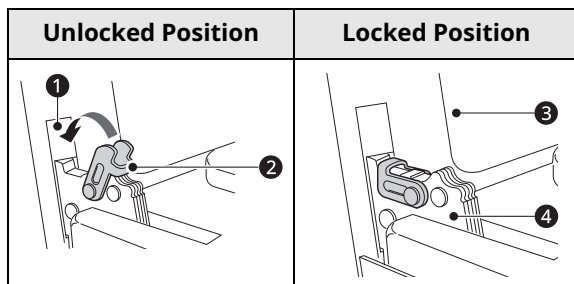
Assembling Doors

- 1 Firmly grasp both sides of the door at the top.
- 2 Fully insert the hinge arms **1** into the slots **2** until the indentations **3** on the hinge arms rest on the bottom edges of the slots.



- 1** Hinge Arm
- 2** Bottom Edge of Slot
- 3** Indentation

- 3 Slowly open the door fully. Make sure that the hinge arms are properly engaged in the slots.
- 4 Lift up the hinge lock **2** and flip it towards the oven **3** until it clicks into position. Repeat on other side.



- 1** Slot
- 2** Hinge Lock
- 3** Oven Frame
- 4** Hinge Arm

- 5 Close the oven door.

Removing/Assembling Drawers

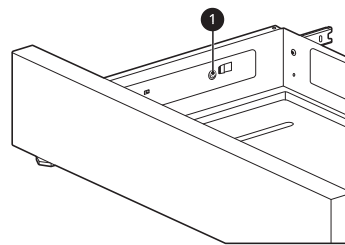
Removing Drawers

⚠ CAUTION

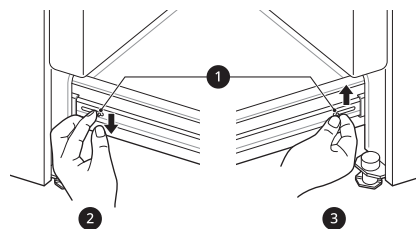
- Disconnect the electrical power to the range at the main fuse or circuit breaker panel. Failure to do so can result in severe personal injury, death, or electrical shock.

Most cleaning can be done with the drawer in place; however, the drawer may be removed if further cleaning is needed. Use warm water to thoroughly clean.

- 1 Fully open the drawer.
- 2 Unscrew the screw **1** on the side at the back of the drawer.



- 3 Locate the glide lever on each side of the drawer. Push down on the left glide lever and pull up on the right glide lever.



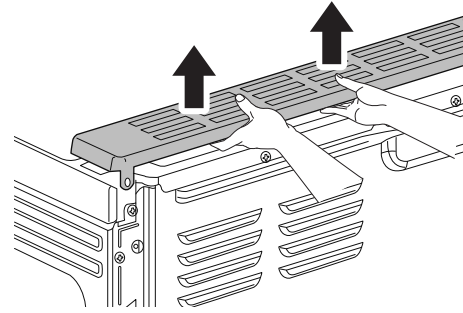
- 1** Lever
- 2** Push down with finger
- 3** Pull up with finger

- 4 Pull the drawer away from the range.

Assembling Drawers

- 1 Pull the bearing glides to the front of the chassis glide.

- 2 Align the glide on each side of the drawer with the glide slots on the range.
- 3 Push the drawer into the range until levers click (approximately 2 inches).
- 4 Insert and tighten the screws on the side at the back of the drawer.
- 5 Pull the drawer open again to seat the bearing glides into position.



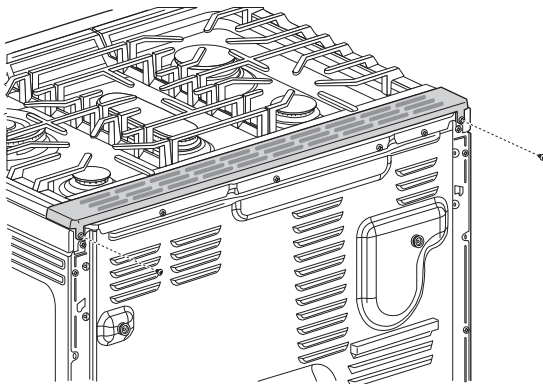
Assembling the Vent Trim

Assemble the vent trim in the reverse sequence of its removal.

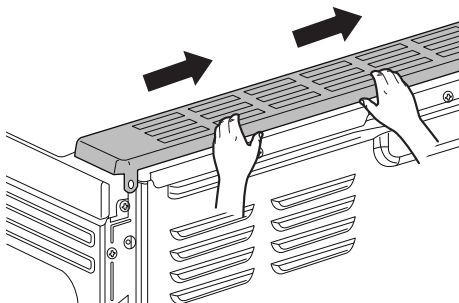
Removing/Assembling the Vent Trim

Removing the Vent Trim

- 1 Using a screwdriver, remove the two screws holding the vent trim in place.



- 2 Move the vent trim in the indicated direction approximately 1/4".



- 3 Lift the vent trim.

Periodic Maintenance

Changing the Oven Light

The oven light is a standard 40-watt appliance halogen lamp. It turns on when the oven door is open. When the oven door is closed, press **Light** to turn it on or off.

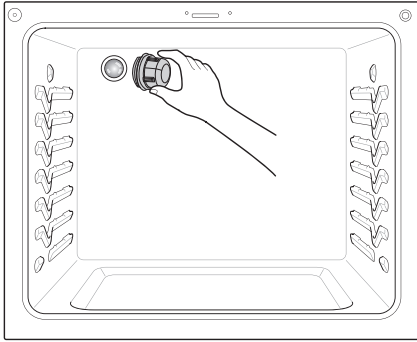
⚠ WARNING

- Make sure that the oven and lamp are cool.
- Disconnect the electrical power to the range at the main fuse or circuit breaker panel. Failure to do so can result in severe personal injury, death, or electrical shock.

- 1 Unplug the range or disconnect power.
- 2 Turn the glass lamp cover in the back of the oven counterclockwise to remove.
- 3 Remove the halogen lamp from the socket.
- 4 Insert the new halogen lamp.
- 5 Insert the glass lamp cover and turn it clockwise.

66 MAINTENANCE

- 6 Plug in the range or reconnect the power.



TROUBLESHOOTING

FAQs

Frequently Asked Questions

Q: What types of cookware are recommended for use with the cooktop?

- A:
- The pans must have a flat bottom and straight sides.
 - Only use heavy-gauge pans.
 - The pan size must match the amount of food to be prepared and the size of the surface element.
 - Use tight fitting lids.
 - Only use flat-bottom woks.

Q: My new oven doesn't cook like my old one. Is there something wrong with the temperature settings?

- A: No. Your oven has been factory tested and calibrated. For the first few uses, follow your recipe times and temperatures carefully. If you still think your new oven is too hot or too cold, you can adjust the oven temperature yourself to meet your specific cooking needs. Refer to the "Changing Oven Settings" section in this manual for easy instructions on how to adjust your thermostat.

Q: Is it normal to hear a clicking noise coming from the back of my oven when I am using it?

- A: Your new range is designed to maintain a tighter control over your oven's temperature. You may hear your oven's heating elements click on and off more frequently on your new oven. This is NORMAL.

Q: Why is the time flashing?

- A: This means that the product has just been plugged in, or that it has experienced a power interruption. To clear the flashing time, touch any button and reset the clock if needed.

Q: During convection cooking the fan stops when I open the door. Is that normal?

- A: Yes, this is normal. When the door is opened, the convection fan will stop until the door is closed.

Q: Can I use aluminum foil to catch drippings in my oven cavity?

- A: Never use aluminum foil to line the bottom or sides of the oven or the warming drawer (on some models). The foil will melt and stick to the bottom surface of the oven and will not be removable. Use a foil-lined sheet pan placed on a lower oven rack to catch drippings instead. (If foil has already melted onto the bottom of the oven, it will not interfere with the oven's performance.)

Q: Can I use aluminum foil on the racks?

- A: Do not cover racks with aluminum foil. Covering entire racks with foil restricts air flow, leading to poor cooking results. Use a sheet pan lined with foil under fruit pies or other acidic or sugary foods to prevent spillovers from damaging the oven finish.

⚠ CAUTION

- Foil may be used to wrap food in the oven or warming drawer, but do not allow the foil to come into contact with the exposed heating/broiling elements in the oven. The foil could melt or ignite, causing smoke, fire, or injury.

Q: Can I leave my racks in the oven when running a Self Clean cycle? (On some models)

- A: No. Although it will not damage the racks, it will discolor them and may make them hard to slide in and out during use. Remove all items from the oven before starting a Self Clean cycle.

68 TROUBLESHOOTING


Q: What should I do if my racks are sticky and have become hard to slide in and out?

A: Over time, the racks may become hard to slide in and out. Apply a small amount of olive oil to the sides of the racks. This will work as a lubricant for easier gliding.

Q: What should I do for hard to remove stains on my cooktop?

A: The cooktop should be cleaned after every use to prevent permanent staining. When cooking foods with high sugar content, such as tomato sauce, clean the stain off with a scraper while the cooktop is still warm. Use an oven mitt when scraping to prevent burns. Refer to the "MAINTENANCE" section of this owner's manual for further instruction.

Q: Why aren't the function buttons working?

A: Make sure that the range is not in Control Lock / Lockout mode. The lock  will show in the display if Control Lock / Lockout is activated. To deactivate Control Lock / Lockout, refer to the "Control Lock / Lockout" section. The unlock melody sounds and **Loc** appears in the display until the controls are unlocked.

Q: My range is still dirty after running the EasyClean cycle. What else should I do?

A: The EasyClean cycle only helps to loosen light soils in your oven range to assist in hand-cleaning of your oven. It does not automatically remove all soils after the cycle. Some scrubbing of your oven range is required after running the EasyClean cycle.

Q: I tried scrubbing my oven after running EasyClean, but some soils still remain. What can I do?

A: The EasyClean feature works best when the soils are fully soaked and submerged in water before running the cycle and during hand-cleaning. If soils are not sufficiently soaked in water, it can negatively affect the cleaning performance. Repeat the EasyClean process using sufficient water.

- For models with Self Clean function:

Sugar-based and certain greasy soils are especially hard to clean. If some stubborn soils remain, use the Self Clean feature to thoroughly clean your oven.

Q: Soils on my oven walls are not coming off. How can I get the oven walls clean?

A: Soils on the side and rear walls of your oven range may be more difficult to fully soak with water. Try repeating the EasyClean process with more than the $\frac{1}{4}$ cup (2 oz or 60 ml) of spray recommended.

Q: Will EasyClean get all of the soils and stains out completely?

A: It depends on the soil type. Sugar-based and certain grease stains are especially hard to clean. Also, if stains are not sufficiently soaked in water, this can negatively affect cleaning performance.

- For models with Self Clean function:

If stubborn or built-up stains remain, use the Self Clean feature. Refer to the Self Clean section of your owner's manual.

Q: Are there any tricks to getting some of the stubborn soils out?

A: Scraping the soils with a plastic scraper before and during hand-cleaning is recommended. Fully saturating soils with water is also recommended.

- For models with Self Clean function:

However, certain types of soils are harder to clean than others. For these stubborn soils, the Self Clean cycle is recommended. Consult the Self Clean section of your owner's manual for details.

Q: Is it safe for my convection fan or heater element to get wet during EasyClean?

A: Yes. The convection fan or heater element may get a little wet during cleaning. However, direct spray onto the broil burner and heater elements is not necessary because these are self-cleaning during regular use.

Q: Do I need to use all 1 $\frac{1}{4}$ cups (10 oz or 300 ml) of water for EasyClean?

- A: Yes. It is highly recommended that 1 cup (8 oz or 240 ml) of water be sprayed or poured on the bottom and an additional ¼ cup (2 oz or 60 ml) of water be sprayed on walls and other soiled areas to fully saturate the soils for better cleaning performance.
- Q: I see smoke coming out of my oven range's cooktop vents during EasyClean. Is this normal?**
- A: This is normal. This is not smoke. It is actually water vapor (steam) from the water in the oven cavity. As the oven heats briefly during EasyClean, the water in the cavity evaporates and escapes through the oven vents.
- Q: How often should I use EasyClean?**
- A: EasyClean can be performed as often as you wish. EasyClean works best when your oven is LIGHTLY soiled from such things as LIGHT grease splatter and small drops of cheese. Please refer to the EasyClean section in your owner's manual for more information.
- Q: What is required for EasyClean?**
- A: A spray bottle filled with 1¼ cups (10 oz or 300 ml) of water, a plastic scraper, a non-scratch scrubbing pad and a towel. You should not use abrasive scrubbers such as heavy-duty scouring pads or steel wool.
- Q: How can I help keep children safe around the range?**
- A: Children should be supervised around the range whenever it is in use, and after use until surfaces have cooled. You can also use the Control Lock / Lockout feature to help prevent children from accidentally turning on the cooktop or oven. The Control Lock / Lockout feature disables most control panel buttons and the cooktop control knobs. On some models, it also locks the oven door. Consult the "Control Lock / Lockout" section of your owner's manual for details. (In models without a Self Clean option, the Control Lock / Lockout feature locks the controls but does not lock the oven door.)
- Q: The third knob from the right doesn't light up. Is that normal? (On some models)**
- A: This is normal. Your range is designed to light up only 5 burner knobs.
- Q: Why isn't the Instaview working? (On some models)**
- A: Level the range by adjusting the leveling legs with a wrench.

Before Calling for Service

Review this section before calling for service; doing so will save you both time and money. For detailed information or videos, visit www.lg.com for the troubleshooting page.

Cooking

Problem	Possible Cause & Solution
Top burners do not light or do not burn evenly.	The electrical plug is not inserted properly. <ul style="list-style-type: none"> Make sure that the electrical plug is inserted into a live, properly grounded outlet.
	Electrode area is not clean. <ul style="list-style-type: none"> Remove the burners and clean them. Check the electrode area for burnt on food or grease. See "Cleaning Burner Heads/Caps" in the MAINTENANCE chapter.
	Burner parts are not installed properly. <ul style="list-style-type: none"> Make sure that the burner parts are installed correctly. See "Removing and Replacing the Gas Surface Burners" in the MAINTENANCE chapter.

70 TROUBLESHOOTING

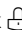
Problem	Possible Cause & Solution
Burners are not lighting properly after cleaning the cooktop surface.	<p>Burner heads and caps are not completely dry or properly positioned.</p> <ul style="list-style-type: none"> • Make sure that the burner heads and caps are completely dry and properly positioned.
Burner flames are very large or yellow.	<p>It may be due to improper installation or setting.</p> <ul style="list-style-type: none"> • If the range is connected to LP gas, contact the technician who installed your range or made the conversion.
Surface burners light but the oven does not.	<p>Shut-off valve is not fully open.</p> <ul style="list-style-type: none"> • Make sure that the oven gas shut-off valve, located behind the range, is fully open.
Food does not bake or roast properly	<p>Oven controls improperly set.</p> <ul style="list-style-type: none"> • See the "Oven" section in the Operation chapter.
	<p>Rack position is incorrect or the rack is not level.</p> <ul style="list-style-type: none"> • See the "Oven" section in the Operation chapter.
	<p>Incorrect cookware or cookware of improper size being used.</p> <ul style="list-style-type: none"> • See the "Oven" section in the Operation chapter.
	<p>Oven thermostat needs to be adjusted.</p> <ul style="list-style-type: none"> • See the "Calibrating the Oven Temperature" section in the Operation chapter.
	<p>The Clock is not set correctly.</p> <ul style="list-style-type: none"> • See "Changing Oven Settings" in the OPERATION chapter.
	<p>Aluminum foil used improperly in the oven.</p> <ul style="list-style-type: none"> • See "Using Oven Racks" in Oven section.
Food does not broil properly	<p>Oven controls improperly set.</p> <ul style="list-style-type: none"> • Make sure you select the Broil mode properly.
	<p>Improper rack position being used.</p> <ul style="list-style-type: none"> • See the Broiling Guide.
	<p>Cookware not suited for broiling.</p> <ul style="list-style-type: none"> • Use broiling pan and grid.
	<p>The oven door is not closed.</p> <ul style="list-style-type: none"> • See "Broil" in the OPERATION chapter.
	<p>Aluminum foil used on the broiling pan and grid has not been fitted properly and slit as recommended.</p> <ul style="list-style-type: none"> • See the "Oven" section in the Operation chapter.
Oven temperature too hot or too cold	<p>Oven sensor needs to be adjusted.</p> <ul style="list-style-type: none"> • See the "Calibrating the Oven Temperature" section in the Operation chapter.
Excessive smoking during a Self Clean cycle (On some models)	<p>Excessive soil.</p> <ul style="list-style-type: none"> • Turn off the Self Clean function. Open the windows to rid the room of smoke. Wait until the Self Clean mode is cancelled. Wipe up the excess soil and reset the clean.
Burning or oily odor emitting from the vent	<p>This is normal in a new oven.</p> <ul style="list-style-type: none"> • This will disappear in time. To speed the process, set a Self Clean cycle for a minimum of 3 hours. See the Self Clean section. (On some models)
Oven will not work	<p>Plug on range is not completely inserted in the electrical outlet.</p> <ul style="list-style-type: none"> • Make sure electrical plug is plugged into a live, properly grounded outlet.

Problem	Possible Cause & Solution
Oven will not work	A fuse in your home may be blown or the circuit breaker tripped. <ul style="list-style-type: none"> Replace the fuse or reset the circuit breaker.
	Oven controls improperly set. <ul style="list-style-type: none"> See the "Oven" section in the Operation chapter.
	Oven too hot. <ul style="list-style-type: none"> Allow the oven to cool to below locking temperature.
Steam is exhausted through the oven vent.	Cooking foods with high moisture produces steam. <ul style="list-style-type: none"> This is normal.
Appliance does not operate.	Cord is not plugged in correctly. <ul style="list-style-type: none"> Make sure cord is plugged correctly into outlet. Check circuit breakers.
	Service wiring is not complete. <ul style="list-style-type: none"> Contact your electrician for assistance.
	Power outage. <ul style="list-style-type: none"> Check house lights to be sure. Call your local electric company for service.
Oven smokes excessively during broiling.	Control not set properly. <ul style="list-style-type: none"> Follow instructions under Setting Oven Controls.
	Meat too close to the element. <ul style="list-style-type: none"> Reposition the rack to provide proper clearance between the meat and the element. Preheat broil element for searing.
	Meat not properly prepared. <ul style="list-style-type: none"> Remove excess fat from meat. Cut remaining fatty edges to prevent curling.
	Insert on broiler pan wrong side up and grease not draining. <ul style="list-style-type: none"> Always place the grid on the broiler pan with ribs up and slots down to allow grease to drip into the pan.
	Grease has built up on oven surfaces. Old grease or food spatters cause excessive smoking. <ul style="list-style-type: none"> Regular cleaning is necessary when broiling frequently.
Moisture collects on oven window or steam comes from oven vent	This happens when cooking foods high in moisture. <ul style="list-style-type: none"> This is normal.
	Excessive moisture was used when cleaning the window. <ul style="list-style-type: none"> Do not use excessive moisture when cleaning the window.

Parts & Features

Problem	Possible Cause & Solution
Clock and timer does not work.	The electrical plug is not inserted properly. <ul style="list-style-type: none"> Make sure the electrical plug is inserted into a live, properly grounded outlet. Replace the fuse or reset the circuit breaker.
	Improper oven control settings <ul style="list-style-type: none"> See "Changing Oven Settings" in the OPERATION chapter.
Oven light does not work.	It is time to replace the lamp or the lamp is loose. <ul style="list-style-type: none"> Replace or tighten lamp. See "Changing the Oven Light" section in this Owner's Manual.

72 TROUBLESHOOTING

Problem	Possible Cause & Solution
Oven light does not work.	<p>The plug on the range is not completely inserted in the electrical outlet.</p> <ul style="list-style-type: none"> Make sure the electrical plug is inserted into a live, properly grounded outlet.
Oven will not Self Clean. (On some models)	<p>The oven temperature is too high to set a Self Clean operation.</p> <ul style="list-style-type: none"> Allow the range to cool and reset the controls.
	<p>Oven controls improperly set.</p> <ul style="list-style-type: none"> See the Self Clean section.
	<p>A Self Clean cycle cannot be started if the oven Control Lock / Lockout feature is active.</p> <ul style="list-style-type: none"> See the "Control Lock / Lockout" in "Changing Oven Settings" section.
Oven door does not open after a Self Clean cycle (On some models)	<p>Oven is too hot.</p> <ul style="list-style-type: none"> Allow the oven to cool below locking temperature.
	<p>The control and door may be locked.</p> <ul style="list-style-type: none"> Allow about one hour for the oven to cool after the completion of a Self Clean cycle. The door can be opened when the lock  is no longer displayed.
The oven is not clean after a Self Clean cycle (On some models)	<p>Oven controls not properly set.</p> <ul style="list-style-type: none"> See the Self Clean section.
	<p>Oven was heavily soiled.</p> <ul style="list-style-type: none"> Clean up heavy spillovers before starting the clean cycle. Heavily soiled ovens may need to Self Clean again or for a longer period of time.
CLEAN and door flash in the display (On some models)	<p>The Self Clean cycle has been selected, but the door is not closed.</p> <ul style="list-style-type: none"> Close the oven door.
"Loc" is on in the display when you want to cook (On some models)	<p>The oven is locked because of the Control Lock / Lockout feature.</p> <ul style="list-style-type: none"> Deactivate the Control Lock / Lockout feature.
Oven control beeps and displays any F code error.	<p>Electronic control has detected a fault condition.</p> <ul style="list-style-type: none"> Remove the power from the range for five minutes and then reconnect the power. If the function error code repeats, call for service. <ul style="list-style-type: none"> [Case 1] Code: F-3 Cause: Key short error [Case 2] Code: F-9 Cause: Oven not heating Check the main gas shut-off valve or the oven gas shut-off valve and call for service.
Oven control displays Sb/5b/S6/56 error code.	<p>This code is not an error code. It indicates that the product's Sabbath mode 5b is activated.</p> <ul style="list-style-type: none"> See the "Using the Sabbath Mode" section in the Operation chapter.
The oven racks were cleaned in a Self Clean cycle. (On some models)	<p>The shiny, silver-colored racks were cleaned in a Self Clean cycle.</p> <ul style="list-style-type: none"> Apply a small amount of vegetable oil to a paper towel and wipe the edges of the oven racks with the paper towel. Do not use lubricant sprays.

Problem	Possible Cause & Solution
Displayed colon in the clock is flashing	This means that the product has just been plugged in, or that it has experienced a power interruption. <ul style="list-style-type: none"> This is normal. Reset the clock and any cooking function.
Light can be seen through the oven air vents.	While the Broil function is running, it is normal to see a light between the oven air vents. <ul style="list-style-type: none"> This is normal.
Range is not level.	Poor installation. <ul style="list-style-type: none"> Place oven rack in center of oven. Place a level on the oven rack. Adjust leveling legs at base of range until the oven rack is level. Be sure floor is level and strong and stable enough to adequately support range. If floor is sagging or sloping, contact a carpenter to correct the situation. Kitchen cabinet alignment may make range appear unlevel. <ul style="list-style-type: none"> Be sure cabinets are square and have sufficient room for range clearance.
Cannot move appliance easily. Appliance must be accessible for service.	Cabinets not square or are built in too tightly. <ul style="list-style-type: none"> Contact builder or installer to make appliance accessible. Carpet interferes with range. <ul style="list-style-type: none"> Provide sufficient space so range can be lifted over carpet. Anti-tip device engaged. <ul style="list-style-type: none"> Uninstall the anti-tip device to move the range. Reengage the anti-tip device after pulling the range out for cleaning, service, or any other reason.
Convection fan stops. (During Conv.Bake mode)	Convection fan stops during a convection bake cycle. It is done to allow for more even heating during the cycle. <ul style="list-style-type: none"> This is not a failure of the range and should be considered normal operation.
Fan operation (During Bake Mode)	This is to ensure even baking results. <ul style="list-style-type: none"> It is normal for the fan to operate periodically throughout a normal bake cycle in the oven.

Noises

Problem	Possible Cause & Solution
"Crackling" or "popping" sound	This is the sound of the metal heating and cooling during both the cooking and Self Clean functions. <ul style="list-style-type: none"> This is normal.
Fan noise	A convection fan may automatically turn on and off. <ul style="list-style-type: none"> This is normal.
When lighting just one burner, clicking noise is heard from all the burners.	Electric spark igniters from the burners cause the clicking noise. All the spark igniters on the cooktop will activate when igniting just one burner. <ul style="list-style-type: none"> This is normal.

Wi-Fi

Problem	Possible Cause & Solution
Trouble connecting appliance and smartphone to Wi-Fi network	The password for the Wi-Fi network was entered incorrectly. <ul style="list-style-type: none"> Delete your home Wi-Fi network and begin the connection process again.

74 TROUBLESHOOTING

Problem	Possible Cause & Solution
Trouble connecting appliance and smartphone to Wi-Fi network	Mobile data for your smartphone is turned on. <ul style="list-style-type: none">• Turn off the Mobile data on your smartphone before connecting the appliance.
	The wireless network name (SSID) is set incorrectly. <ul style="list-style-type: none">• The wireless network name (SSID) should be a combination of English letters and numbers. (Do not use special characters.)
	The router frequency is not 2.4 GHz. <ul style="list-style-type: none">• Only a 2.4 GHz router frequency is supported. Set the wireless router to 2.4 GHz and connect the appliance to the wireless router. To check the router frequency, check with your Internet service provider or the router manufacturer.
	The appliance and the router are too far apart. <ul style="list-style-type: none">• If the appliance is too far from the router, the signal may be weak and the connection may not be configured correctly. Move the router closer to the appliance or purchase and install a Wi-Fi repeater.
	During Wi-Fi setup, the app is requesting a password to connect to the product (on certain phones). <ul style="list-style-type: none">• Locate the network name which starts with "LG" under Settings > Networks. Note the last part of the network name.<ul style="list-style-type: none">- If the network name looks like LGE_Appliance_XX-XX-XX, enter lge12345.- If the network name looks like LGE_Appliance_XXXX, enter XXXX twice as your password. For example, if the network name appears as LGE_Appliance_8b92, then you would enter 8b928b92 as your password. In this instance, the password is case sensitive and the last 4 characters are unique to your appliance.

LIMITED WARRANTY

USA

TERMS AND CONDITIONS

ARBITRATION NOTICE: THIS LIMITED WARRANTY CONTAINS AN ARBITRATION PROVISION THAT REQUIRES YOU AND LG ELECTRONICS ("LG") TO RESOLVE DISPUTES BY BINDING ARBITRATION INSTEAD OF IN COURT, UNLESS YOU CHOOSE TO OPT OUT. IN ARBITRATION, CLASS ACTIONS AND JURY TRIALS ARE NOT PERMITTED. PLEASE SEE THE SECTION TITLED "PROCEDURE FOR RESOLVING DISPUTES" BELOW.

Should your LG Gas Range ("Product") fail due to a defect in materials or workmanship under normal and proper use, during the warranty period set forth below, LG will, at its option, repair or replace the Product. This limited warranty is valid only to the original retail purchaser of the Product ("You") and applies only when purchased lawfully and used within the United States including U.S. Territories.

Warranty Period	Scope of Warranty	HOW SERVICE IS HANDLED
One (1) year from date of original retail purchase	Parts and Labor (internal / functional parts only)	LG will provide, free of charge, all labor and in-home service to replace defective part(s).

- Replacement Products and parts are warranted for the remaining portion of the original warranty period or ninety (90) days, whichever is greater.
- Replacement Products and parts may be new, reconditioned, refurbished, or otherwise factory remanufactured.
- Replaced Product or part(s) will be the property of LG.
- Proof of original retail purchase specifying the Product model and date of purchase is required to obtain warranty service under this limited warranty.

EXCEPT TO THE EXTENT PROHIBITED BY APPLICABLE LAW, ANY IMPLIED WARRANTY OF MERCHANTABILITY OR FITNESS FOR A PARTICULAR PURPOSE ON THE PRODUCT IS LIMITED IN DURATION TO THE DURATION OF THE ABOVE LIMITED WARRANTY. UNDER NO CIRCUMSTANCES SHALL LG OR ITS U.S. DISTRIBUTORS/DEALERS BE LIABLE FOR ANY INDIRECT, INCIDENTAL, CONSEQUENTIAL, SPECIAL, OR PUNITIVE DAMAGES, INCLUDING, WITHOUT LIMITATION, LOST GOODWILL, LOST REVENUES OR PROFITS, WORK STOPPAGE, IMPAIRMENT OF OTHER GOODS, COST OF REMOVAL AND REINSTALLATION OF THE PRODUCT, LOSS OF USE, OR ANY OTHER DAMAGES WHETHER BASED IN CONTRACT, TORT, OR OTHERWISE. LG'S TOTAL LIABILITY, IF ANY, SHALL NOT EXCEED THE PURCHASE PRICE PAID BY YOU FOR THE PRODUCT.

SOME STATES DO NOT ALLOW THE EXCLUSION OR LIMITATION OF INCIDENTAL OR CONSEQUENTIAL DAMAGES OR LIMITATIONS ON HOW LONG AN IMPLIED WARRANTY LASTS, SO THE ABOVE EXCLUSIONS OR LIMITATIONS MAY NOT APPLY TO YOU. THIS LIMITED WARRANTY GIVES YOU SPECIFIC LEGAL RIGHTS AND YOU MAY ALSO HAVE OTHER RIGHTS THAT VARY FROM STATE TO STATE.

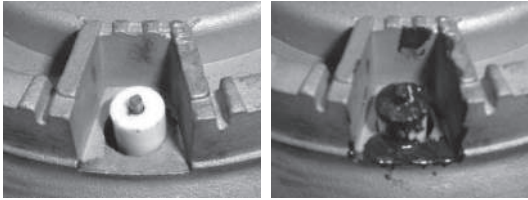
THIS LIMITED WARRANTY DOES NOT COVER:

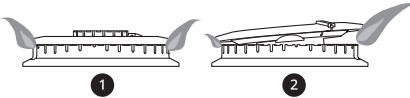
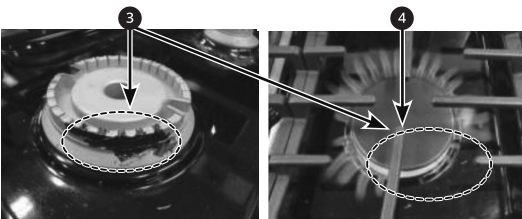
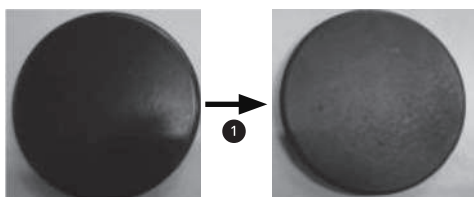

- Service trips to deliver, pick up, or install, educate how to operate, correct wiring, or correct unauthorized repairs.
- Damage or failure of the Product to perform during power failures and interrupted or inadequate electrical service.
- Damage or failure of the Product caused by leaky or broken water pipes, frozen water pipes, restricted drain lines, inadequate or interrupted water supply or inadequate supply of air.
- Damage or failure of the Product resulting from operating the Product in a corrosive atmosphere or contrary to the Product owner's manual.
- Damage or failure of the Product caused by accidents, pests and vermin, lightning, wind, fire, floods, acts of nature, or any other causes beyond the control of LG.

76 LIMITED WARRANTY


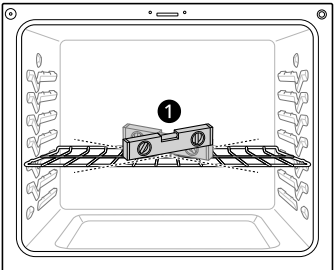
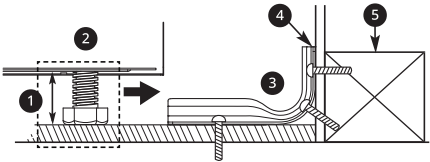
- Damage or failure of the Product caused by unauthorized modification or alteration, or if the Product is used for other than the intended purpose, or any water leakage where the Product was not properly installed.
- Damage or failure of the Product caused by incorrect electrical current, voltage, or plumbing codes.
- Damage or failure of the Product caused by transportation, storage, and/or handling, including scratches, dents, chips, and/or other damage to the finish of the Product, unless such damage is reported within one (1) week of delivery.
- Damage or failure of the Product resulting from misuse, abuse, improper installation, repair, or maintenance. Improper repair includes the use of parts not authorized by LG. Improper installation or maintenance includes installation or maintenance contrary to the Product owner's manual.
- Damage or failure of the Product caused by the use of parts, components, accessories, consumable cleaning products, or any other products or services that were not authorized by LG.
- Damage or missing items to any display or open box Product.
- Refurbished Product or any Product sold "As Is", "Where Is", "With all Faults", or similar disclaimer.
- Products with original serial numbers that have been removed, altered, or cannot be readily determined.
- Increases in utility costs and additional utility expenses.
- Any noises associated with normal operation.
- Products used for other than normal and proper household use (e.g., commercial or industrial use) or contrary to the Product owner's manual.
- Costs associated with removal and reinstallation of the Product for repairs, or the removal and reinstallation of the Product if it is installed in an inaccessible location or not installed in accordance with the Product Owner's manual.
- Accessories, removable components, or consumable parts (e.g. Shelves, door bins, drawers, water/air filters, racks, light bulbs, batteries, etc., as applicable), except for internal/functional parts covered under this limited warranty.
- Cost of conversion of the Product from natural gas to LP gas or vice versa.

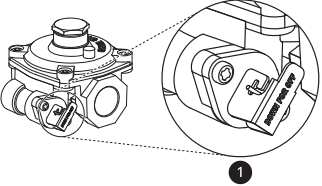
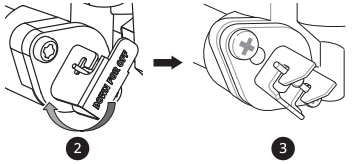
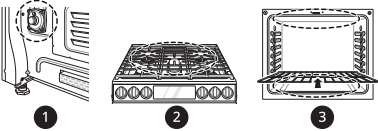
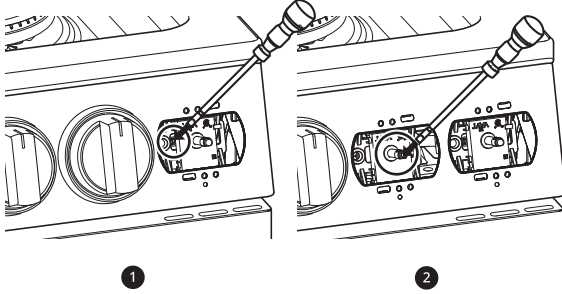
Not Covered by this Limited Warranty

Problem	Possible Cause & Prevention
<p>Burners do not light.</p>	<p>Clogged or dirty burner ports or electrodes will not allow the burner to operate properly.</p> <div style="text-align: center;">  <p>① ②</p> </div> <ul style="list-style-type: none"> ① OK ② Not working (must be cleaned) <ul style="list-style-type: none"> • Check and clean the gas electrode.

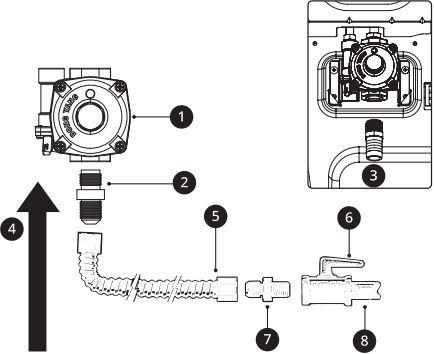
Problem	Possible Cause & Prevention
<p>Uneven flame</p>	<p>Improper burner cap installation</p>  <p> <ol style="list-style-type: none"> ❶ Burner cap is properly seated. ❷ Burner cap is NOT properly seated. </p> <ul style="list-style-type: none"> • Check installation of burner head and cap. <p>Burner ports clogged by food residue</p>  <p> <ol style="list-style-type: none"> ❸ Ports blocked by dirt ❹ Flames uneven </p> <ul style="list-style-type: none"> • Hardened residue should be removed using a toothbrush.
<p>Burner cap color change and lost shine</p>	<p>Scratching</p> <ul style="list-style-type: none"> • Do not use steel wool or abrasive cleansers to clean. <p>Use of detergent or abrasive cleansers</p> <ul style="list-style-type: none"> • To remove burnt-on food, soak the burner heads in hot water for 20-30 minutes. (Do not use detergent)  <p> <ol style="list-style-type: none"> ❶ Shine is lost. </p>
<p>Knobs melt</p>	<p>Improper usage</p>  <ul style="list-style-type: none"> • Do not leave door at stop position during Broil/Bake mode or right after cooking.

78 LIMITED WARRANTY

Problem	Possible Cause & Prevention
<p>Oven or racks are stained after using aluminum foil</p>	<p>Aluminum foil has melted in the oven</p>  <ul style="list-style-type: none"> • Never cover the oven bottom or cover an entire rack with materials such as aluminum foil. • If the foil has already melted onto the oven, it will not affect the performance of the oven.
<p>Flame or power is weak</p>	<p>Gas pressure may be weak</p> <ul style="list-style-type: none"> • Check with gas supplier first.
<p>Surface is not level Oven is tipping</p>	<p>Range not leveled</p>  <ul style="list-style-type: none"> • Check with installer first. • Use carpenter's level 1 to check level. <p>Anti-tip device not installed correctly</p>  <ul style="list-style-type: none"> 1 Approximately 0.65" (16.5 mm) 2 Level both sides of range 3 Screw must enter wood or concrete 4 Anti-tip bracket 5 Wall plate <ul style="list-style-type: none"> • Check with installer first.

Problem	Possible Cause & Prevention
<p>Oven shows error code (F9, F19) but cooktop burners are working.</p>	<p>The gas pressure regulator valve is closed.</p>  <p>❶ Lever's closed position</p> <ul style="list-style-type: none"> • Check that the regulator valve is in the open position. • If the regulator valve is closed, rotate the lever to open the valve.  <p>❷ Lever's closed position ❸ Lever's open position</p>
<p>Flames too big on converted cooktop (NP →LP)</p>	<p>The installer missed part of the conversion. (Check 3 parts: regulator, cooktop valve, broil/bake valve.)</p>  <p>❶ Regulator ❷ Cooktop valve ❸ Broil/Bake valve</p> <ul style="list-style-type: none"> • Check with installer first. • Refer to installation manual.
<p>Flame is too small or too large</p>	<p>1. Variable gas pressure 2. Installer did not check</p>  <p>❶ ❷</p> <ul style="list-style-type: none"> • Check with installer first.

80 LIMITED WARRANTY

Problem	Possible Cause & Prevention
<p>Gas smell</p>	<p>Improper connection Flexible Connector Hookup</p>  <ol style="list-style-type: none"> ➊ Pressure regulator ➋ 1/2" Adapter ➌ 1/2" Adapter ➍ Gas Flow into Range ➎ Flex connector (6 ft. max.) ➏ Gas shut-off valve ➐ 1/2" Adapter ➑ 1/2" or 3/4" Gas pipe <ul style="list-style-type: none"> • Check with installer first.

The cost of repair or replacement under these excluded circumstances shall be borne by You.

TO OBTAIN WARRANTY SERVICE AND ADDITIONAL INFORMATION

Call [1-800-243-0000](tel:1-800-243-0000) and select the appropriate option from the menu.

Or visit our website at <http://www.lg.com>

Or by mail: LG Electronics Customer Service P.O. Box 240007 Huntsville, AL 35813 ATTN: CIC

PROCEDURE FOR RESOLVING DISPUTES:

ALL DISPUTES BETWEEN YOU AND LG ARISING OUT OF OR RELATING IN ANY WAY TO THIS LIMITED WARRANTY OR THE PRODUCT SHALL BE RESOLVED EXCLUSIVELY THROUGH BINDING ARBITRATION, AND NOT IN A COURT OF GENERAL JURISDICTION. BINDING ARBITRATION MEANS THAT YOU AND LG ARE EACH WAIVING THE RIGHT TO A JURY TRIAL AND TO BRING OR PARTICIPATE IN A CLASS ACTION.

Definitions. For the purposes of this section, references to "LG" mean LG Electronics U.S.A., Inc., its parents, subsidiaries and affiliates, and each of their officers, directors, employees, agents, beneficiaries, predecessors in interest, successors, assigns and suppliers; references to "dispute" or "claim" shall include any dispute, claim or controversy of any kind whatsoever (whether based in contract, tort, statute, regulation, ordinance, fraud, misrepresentation or any other legal or equitable theory) arising out of or relating in any way to the sale, condition or performance of the product or this Limited Warranty.

Notice of Dispute. In the event you intend to commence an arbitration proceeding, you must first notify LG in writing at least 30 days in advance of initiating the arbitration by sending a letter to LG at LG Electronics, USA, Inc. Attn: Legal Department- Arbitration 111 Sylvan Avenue, Englewood Cliffs, NJ 07632. You and LG agree to engage in good faith discussions in an attempt to amicably resolve your claim. The notice must provide your name, address, and telephone number; identify the product that is the subject of the claim; and describe the nature of the claim and the relief being sought. If you and LG are unable to resolve the dispute within 30 days, either party may proceed to file a claim for arbitration.

Agreement to Binding Arbitration and Class Action Waiver. Upon failure to resolve the dispute during the 30 day period after sending written notice to LG, you and LG agree to resolve any claims between us only by binding arbitration on an individual basis, unless you opt out as provided below. Any dispute between you and LG shall not be combined or consolidated with a dispute involving any other person's or entity's product or claim. More specifically, without limitation of the foregoing, any dispute between you and LG shall not under any circumstances proceed as part of a class or representative action. Instead of arbitration, either party may bring an individual action in small claims court, but that small claims court action may not be brought on a class or representative basis.

Arbitration Rules and Procedures. To begin arbitration of a claim, either you or LG must make a written demand for arbitration. The arbitration will be administered by the American Arbitration Association ("AAA") and will be conducted before a single arbitrator under the AAA's Consumer Arbitration Rules that are in effect at the time the arbitration is initiated (referred to as the "AAA Rules") and under the procedures set forth in this section. The AAA Rules are available online at www.adr.org/consumer. Send a copy of your written demand for arbitration, as well as a copy of this provision, to the AAA in the manner described in the AAA Rules. You must also send a copy of your written demand to LG at LG Electronics, USA, Inc. Attn: Legal Department- Arbitration 111 Sylvan Avenue, Englewood Cliffs, NJ 07632. If there is a conflict between the AAA Rules and the rules set forth in this section, the rules set forth in this section will govern. This arbitration provision is governed by the Federal Arbitration Act. Judgment may be entered on the arbitrator's award in any court of competent jurisdiction. All issues are for the arbitrator to decide, except that issues relating to the scope and enforceability of the arbitration provision and to the arbitrability of the dispute are for the court to decide. The arbitrator is bound by the terms of this provision.

Governing Law. The law of the state of your residence shall govern this Limited Warranty and any disputes between us except to the extent that such law is preempted by or inconsistent with applicable federal law.

Fees/Costs. You do not need to pay any fee to begin an arbitration. Upon receipt of your written demand for arbitration, LG will promptly pay all arbitration filing fees to the AAA unless you seek more than \$25,000 in damages, in which case the payment of these fees will be governed by the AAA Rules. Except as otherwise provided for herein, LG will pay all AAA filing, administration and arbitrator fees for any arbitration initiated in accordance with the AAA Rules and this arbitration provision. If you prevail in the arbitration, LG will pay your attorneys' fees and expenses as long as they are reasonable, by considering factors including, but not limited to, the purchase amount and claim amount. Notwithstanding the foregoing, if applicable law allows for an award of reasonable attorneys' fees and expenses, an arbitrator can award them to the same extent that a court would. If the arbitrator finds either the substance of your claim or the relief sought in the demand is frivolous or brought for an improper purpose (as measured by the standards set forth in Federal Rule of Civil Procedure 11(b)), then the payment of all arbitration fees will be governed by the AAA Rules. In such a situation, you agree to reimburse LG for all monies previously disbursed by it that are otherwise your obligation to pay under the AAA Rules. Except as otherwise provided for, LG waives any rights it may have to seek attorneys' fees and expenses from you if LG prevails in the arbitration.

Hearings and Location. If your claim is for \$25,000 or less, you may choose to have the arbitration conducted solely on the basis of (1) documents submitted to the arbitrator, (2) through a telephonic hearing, or (3) by an in-person hearing as established by the AAA Rules. If your claim exceeds \$25,000, the right to a hearing will be determined by the AAA Rules. Any in-person arbitration hearings will be held at a location within the federal judicial district in which you reside unless we both agree to another location or we agree to a telephonic arbitration.

Opt Out. You may opt out of this dispute resolution procedure. If you opt out, neither you nor LG can require the other to participate in an arbitration proceeding. To opt out, you must send notice to LG no later than 30 calendar days from the date of the first consumer purchaser's purchase of the product by either: (i) sending an e-mail to optout@lge.com, with the subject line: "Arbitration Opt Out" or (ii) calling 1-800-980-2973. You must include in the opt out e-mail or provide by telephone: (a) your name and address; (b) the date on which the product was purchased; (c) the product model name or model number; and (d) the serial number (the serial number can be found (i) on the product; or (ii) online by accessing <https://www.lg.com/us/support> and clicking on "How do I find my model number?").

You may only opt out of the dispute resolution procedure in the manner described above (that is, by e-mail or telephone); no other form of notice will be effective to opt out of this dispute resolution procedure. Opting out of this dispute resolution procedure will not affect the coverage of the Limited Warranty in any

82 LIMITED WARRANTY

way, and you will continue to enjoy the full benefits of the Limited Warranty. If you keep this product and do not opt out, then you accept all terms and conditions of the arbitration provision described above.



Escanee el código QR para ver el manual.



MANUAL DEL PROPIETARIO

ESTUFA DE GAS

Lea el manual del propietario detenidamente previo a operar el electrodoméstico y mantengalo al alcance para futuras referencias.

ESPAÑOL

LSGL6337* / LSGL6335*

www.lg.com

Copyright © 2025 LG Electronics. Todos los derechos reservados

Seguridad para una cocina de gas

ADVERTENCIA: Si no sigue con exactitud la información de este manual, puede provocar un incendio o una explosión que cause daños en la propiedad, lesiones personales o la muerte.

- No guarde ni use gasolina u otros vapores o líquidos inflamables cerca de este aparato o cualquier otro.
- **QUÉ HACER SI HUELE GAS**
 - No intente encender ningún aparato.
 - No toque ningún interruptor eléctrico.
 - No use ningún teléfono en su edificio.
 - Llame a su compañía de gas inmediatamente desde el teléfono de un vecino. Siga las instrucciones de la compañía de gas.
 - Si no puede comunicarse con su compañía de gas, llame al departamento de bomberos.
- Un instalador calificado, una agencia de servicio o la compañía de gas deben realizar la instalación y mantenimiento.

 **ADVERTENCIA:**

Nunca deje la sección de cocción de superficie de este aparato sin supervisión.

- El incumplimiento de esta advertencia puede provocar incendios, explosiones o riesgos de quemaduras que causen daños en la propiedad, lesiones personales o la muerte.
- En caso de incendio, manténganse alejado del electrodoméstico y llame de inmediato al departamento de bomberos local.

NO INTENTE APAGAR CON AGUA UN INCENDIO PROVOCADO POR ACEITE/GRASA.

ÍNDICE

5 INSTRUCCIONES IMPORTANTES DE SEGURIDAD

5 LEA TODAS LAS INSTRUCCIONES ANTES DE UTILIZAR

- 5 Mensajes de Seguridad
- 5 Dispositivo antivuelco

6 ADVERTENCIA

- 6 Instalación
- 7 Funcionamiento
- 8 Mantenimiento
- 8 Instrucciones de Conexión a Tierra
- 8 Riesgo de incendio y materiales inflamables

9 PRECAUCIÓN

- 9 Instalación
- 9 Funcionamiento
- 9 Mantenimiento

11 DESCRIPCIÓN GENERAL DEL PRODUCTO

11 Características del producto

- 11 Interior y exterior
- 11 Especificaciones del producto
- 12 Accesorios

13 INSTALACIÓN

13 Antes de la instalación

- 13 Herramientas necesarias
- 13 Piezas
- 13 En el Commonwealth de Massachusetts
- 13 Desembalaje y traslado de la estufa

14 Elección de la ubicación adecuada

- 15 Dimensiones y Espacios
- 16 Ventilación
- 17 Suelo
- 17 Temperatura ambiente

17 Nivelando

- 17 Nivelación de la estufa

17 Conexión de gas

- 17 Cómo brindar el suministro adecuado de gas
- 18 Conexión de la estufa al gas

- 19 Ajuste de los obturadores de aire (para conversiones a gas LP)

19 Conexión de electricidad

- 19 Requisitos eléctricos
- 19 Conexión a tierra

20 Quemadores de superficie

- 20 Ensamblaje de los quemadores de superficie
- 20 Verificación de encendido de los quemadores de superficie
- 21 Ajuste del quemador de superficie en la configuración Low Flame (Simmer) (Llama baja [Fuego lento])

21 Relleno trasero opcional

- 21 Instalación de la placa trasera

22 Dispositivo antivuelco

- 22 Instalación del dispositivo antivuelco

23 Prueba de funcionamiento

- 23 Pruebe la estufa antes de usarla

24 FUNCIONAMIENTO

24 Panel de control

- 24 Funciones del panel de control
- 25 Luz de perilla / pantalla (Modelo LSG6337*)

25 Cambio de configuración del horno

- 25 Reloj
- 26 Luz del horno
- 26 Timer On/Off (Temporizador encendido/apagado)
- 26 Wi-Fi
- 27 Configuración (Modo de horas, Conversión automática a convección, Calibración de la temperatura del horno, Luz de alarma de precalentado, Volumen del indicador sonoro, Fahrenheit o Celsius, Wi-Fi Encendido/Apagado)
- 29 Bloqueo de control
- 29 Hora de inicio (Cocción programada retrasada)
- 30 Cook Time (Timed Cook) (Tiempo de cocción [Cocción programada])
- 30 Configuraciones mínimas y máximas predeterminadas

31 Quemadores de superficie de gas

- 31 Antes de usar los quemadores de

- superficie a gas
- 33 Ubicaciones de los quemadores
- 33 Uso de los quemadores de gas de superficie
- 34 Uso del Bloqueo de Perillas
- 34 Ajuste del tamaño de la llama
- 35 Uso de los utensilios de cocina adecuados
- 35 Uso de un wok
- 35 Uso de la rejilla para wok
- 36 Uso de las rejillas en superficie
- 36 Uso de la parrilla
- 37 En caso de corte de energía eléctrica

37 Horno

- 37 Antes de usar el horno
- 38 Ventilación del horno
- 39 Uso de los estantes del horno
- 39 InstaView
- 40 Bake (Hornear)
- 41 Modo de convección
- 42 Guía de recomendaciones para hornear y rostizar
- 43 Broil (Asar)
- 45 Guía de recomendaciones para asar
- 47 Proof (Leudar)
- 47 Warm (Calentar)
- 48 Keep Warm (Mantener caliente)
- 48 Air Fry (Freír con aire)
- 49 Guía para freír con aire recomendada
- 51 Air Sous-Vide (Cocción al vacío por flujo de aire) (Modelo LSGL6337*)
- 52 Guía de cocción al vacío por flujo de aire recomendada
- 52 Frozen Meal (Comida congelada)
- 52 Slow Cook (Cocción lenta) (modelo LSGL6335*)
- 53 Inicio remoto
- 53 Meat Probe (Sonda para carne) (Modelo LSGL6337*)
- 55 Uso del Modo Sabbath

56 FUNCIONES INTELIGENTES

56 Aplicación LG ThinQ

- 56 Funciones de la aplicación LG ThinQ
- 56 Instalación de la aplicación LG ThinQ y conexión de un electrodoméstico LG
- 57 Instalación de la aplicación LG ThinQ

- 57 Conexión a Wi-Fi
- 57 Especificaciones del módulo RF
- 57 Declaración de la FCC
- 58 Declaración sobre exposición a la radiación de RF de la FCC
- 58 Software de código abierto

58 Función Smart Diagnosis™

- 58 Uso de LG ThinQ para diagnosticar problemas
- 58 Uso del diagnóstico audible para diagnosticar problemas

60 MANTENIMIENTO

60 Limpieza

- 60 Interior
- 60 Exterior
- 62 Quemadores de superficie de gas
- 64 EasyClean
- 66 Self Clean (Autolimpieza)
- 69 Extracción y colocación de las puertas desmontables del horno
- 70 Extracción y colocación de cajones
- 71 Extracción/montaje de la moldura de ventilación

71 Mantenimiento periódico

- 71 Cambio de la luz del horno

73 SOLUCIÓN DE PROBLEMAS

73 Preguntas Frecuentes

- 73 Preguntas frecuentes

76 Antes de llamar al servicio técnico

- 76 Cocción
- 78 Partes y Características
- 80 Ruidos
- 80 Wi-Fi

82 GARANTÍA LIMITADA

82 EE. UU.

- 82 TÉRMINOS Y CONDICIONES
- 82 ESTA GARANTÍA LIMITADA NO CUBRE LO SIGUIENTE:
- 87 PROCEDIMIENTO PARA RESOLVER DISPUTAS:

INSTRUCCIONES IMPORTANTES DE SEGURIDAD

LEA TODAS LAS INSTRUCCIONES ANTES DE UTILIZAR

Descargue este manual del propietario en <http://www.lg.com>

Mensajes de Seguridad

Su seguridad y la de los demás son muy importantes.

Tanto en este manual como en el equipo, hemos proporcionado muchos mensajes de seguridad importantes. Siempre debe leer y respetar todos los mensajes de seguridad.



Este es el símbolo de alerta de seguridad.

Este símbolo le advierte de posibles peligros que pueden matarlos o lastimarlos a usted y a otros. Todos los mensajes de seguridad seguirán el símbolo de alerta de seguridad y la palabra ADVERTENCIA o PRECAUCIÓN.

Estos términos significan lo siguiente:



ADVERTENCIA

Podría sufrir lesiones graves o la muerte si no sigue las instrucciones.



PRECAUCIÓN

Puede resultar lesionado o causar daño al producto si no sigue las instrucciones.

Todos los mensajes de seguridad le indicarán cuál es el riesgo potencial, le indicarán cómo reducir la probabilidad de lesiones y le proporcionarán información sobre qué podría suceder si no se siguen las instrucciones.

Dispositivo antivuelco

Para reducir el riesgo de vuelco, el electrodoméstico debe estar asegurado con un dispositivo antivuelco instalado de manera adecuada. Para comprobar si el dispositivo está instalado correctamente, verifique que el dispositivo antivuelco esté bien sujeto, o tome el borde superior trasero de la protección posterior de la estufa e intente inclinarla hacia adelante con cuidado. Consulte la sección de instalación para obtener instrucciones.

ADVERTENCIA

- Un niño o adulto pueden volcar la estufa y morir.

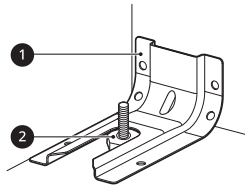


- Coloque el dispositivo antivuelco en la estructura y/o estufa. Verifique que el dispositivo antivuelco se haya instalado y acoplado correctamente siguiendo la guía del soporte antivuelco.
- Enganche la estufa al dispositivo antivuelco conforme a la guía del soporte antivuelco. Asegúrese que el dispositivo antivuelco se vuelva a acoplar cuando se mueva la estufa según la guía del soporte antivuelco.
- Vuelva a enganchar el dispositivo antivuelco si mueve la estufa. No opere la estufa sin el dispositivo antivuelco en su lugar y enganchado.
- Consulte las instrucciones de instalación para obtener los detalles.
- Si no sigue estas instrucciones puede ocasionar la muerte o quemaduras graves en niños o adultos.

6 INSTRUCCIONES IMPORTANTES DE SEGURIDAD

⚠ ADVERTENCIA

- No coloque objetos grandes y pesados, como pavos enteros, sobre la puerta del horno abierta. La estufa podría inclinarse hacia adelante y ocasionar lesiones.
 - No se pare ni se siente sobre la puerta del horno. La estufa podría inclinarse y usted podría sufrir lesiones con líquidos calientes derramados, alimentos calientes o la estufa misma.
-
- Nunca retire las patas del horno. La estufa no estará asegurada al soporte antivuelco si se retiran las patas del horno.



- ① Soporte antivuelco
- ② Pata de nivelación

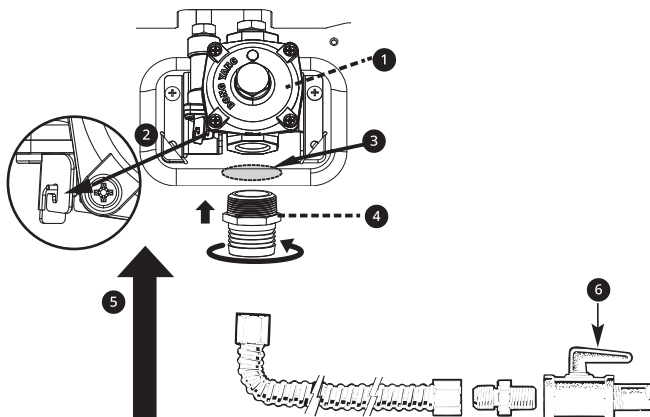
ADVERTENCIA

⚠ ADVERTENCIA

- Para reducir el riesgo de explosiones, incendios, descargas eléctricas, quemaduras, lesiones o muerte de las personas al usar este producto, siga las precauciones básicas, incluidas las siguientes:

Instalación

- No intente abrir o cerrar la puerta ni usar el horno hasta que la puerta esté correctamente instalada.
- Pídale al instalador que le muestre la ubicación de la válvula de corte de gas de la estufa y cómo cerrarla si es necesario.
- Para cerrar el suministro de gas de la estufa, cierre la válvula de corte de gas, girándola hacia la derecha.



- ① Regulador de presión
- ② Posición abierta de la palanca (uso)
- ③ Retire el precinto
- ④ Adaptador (1/2"-14 NPT)
- ⑤ Flujo de gas a la estufa
- ⑥ Válvula de corte de gas de la estufa

- Haga que un instalador calificado instale y conecte a tierra su estufa de manera apropiada, de acuerdo con las instrucciones de instalación. Cualquier ajuste y servicio deben realizarlo instaladores de estufas de gas calificados o técnicos de servicio.
- Asegúrese de que un técnico de servicio o instalador calificado para el tipo de gas (natural o LP) que se usará ajuste su estufa correctamente. Su estufa se puede convertir para uso con cualquier tipo de gas. Consulte las instrucciones de instalación.
- Un técnico de servicio calificado debe completar estos ajustes de acuerdo con las instrucciones del fabricante y todos los códigos y requisitos de la autoridad competente. El incumplimiento de estas

instrucciones podría causar lesiones graves o daños a la propiedad. La agencia calificada que realice este trabajo asume la responsabilidad de la conversión.

- Desconecte el suministro eléctrico antes de realizar el mantenimiento al electrodoméstico.
- Este producto no se debe instalar debajo de sistemas de ventilación de tipo campana que dirijan el aire hacia abajo.
 - Hacerlo podría causar problemas de encendido y combustión en los quemadores de gas, lo que puede generar lesiones personales y podrían afectar el rendimiento de la unidad.
- Sitúe la estufa fuera de las áreas transitadas de la cocina y fuera de lugares con corrientes de aire para evitar una circulación de aire inadecuada.

Funcionamiento



ADVERTENCIA

NUNCA cubra ranuras, aberturas ni conductos del fondo del horno, ni cubra un estante completo con materiales como papel de aluminio. Si lo hace, se bloqueará la corriente de aire a través del horno y esto puede provocar envenenamiento por monóxido de carbono. El revestimiento de papel metálico también puede concentrar calor, generando un peligro de incendio.



ADVERTENCIA

NUNCA utilice este electrodoméstico como un calentador para calefaccionar o calentar una habitación. Si lo hace, puede provocar envenenamiento por monóxido de carbono y un recalentamiento del horno.

- Los aparatos a gas causan una exposición mínima a cuatro sustancias potencialmente peligrosas: benceno, monóxido de carbono, formaldehído y hollín, causados principalmente por la combustión incompleta de gas natural o gas LP. Los quemadores ajustados de manera correcta, cuya indicación es una llama azul en lugar de amarilla, minimizarán la combustión incompleta.
 - La exposición a estas sustancias puede minimizarse con una ventana abierta, el uso de un ventilador o una campana de ventilación.
- Deje que las rejillas de los quemadores y otras superficies se enfríen antes de tocarlas.
- Nunca obstruya los respiraderos (aberturas de aire) de la estufa. Estas proporcionan la entrada y salida de aire necesarias para que la estufa funcione adecuadamente con una combustión correcta.
 - Las aberturas de aire están ubicadas en la parte trasera de la placa de cocción, en las partes superior e inferior de la puerta del horno y en el fondo de la estufa.
- Nunca obstruya el flujo del aire de combustión y ventilación al bloquear la ventilación del horno o las entradas de aire. Si lo hace, restringe la entrada de aire al quemador y esto puede provocar envenenamiento por monóxido de carbono.
- Pararse, apoyarse o sentarse sobre las puertas o los cajones de esta estufa podría causar lesiones personales graves y daños a la estufa. No permita que los niños trepen a la estufa o jueguen cerca de ella. El peso de un niño sobre una puerta abierta podría hacer que la estufa se incline, lo que causaría quemaduras graves u otras lesiones.
- Nunca coloque los dedos entre la bisagra de la puerta y el marco delantero del horno. Los brazos de las bisagras están montados con resortes. Si se golpea por accidente, la bisagra se cerrará de pronto contra el marco delantero y se lesionaría los dedos.
- No deje a los niños solos o sin supervisión donde haya una estufa caliente o en funcionamiento. Pueden sufrir quemaduras graves.
- No permita que nadie se suba, pare o cuelgue de la puerta del horno, del cajón calentador ni de la placa de cocción. Podrían causar daños a la estufa e incluso hacerla caer, lo que generaría lesiones personales graves.
- No apoye ni coloque peso excesivo sobre la puerta del horno abierta. Esto podría inclinar la estufa, romper la puerta o lesionar al usuario.

8 INSTRUCCIONES IMPORTANTES DE SEGURIDAD

- Para prevenir riesgos de incendio o descarga eléctrica, no use un adaptador o cable de extensión, ni retire la punta con conexión a tierra del cable de alimentación eléctrica. Si lo hace podría causar lesiones graves, incendio o incluso la muerte a niños o adultos.
- Asegúrese de quitar todos los materiales de empaque de la estufa antes de encenderla para evitar un incendio o daños causados por el humo si se encendieran los materiales de empaque.
- Al abrir la puerta del horno caliente, manténgase alejado de la estufa. El aire caliente y el vapor que salen del horno pueden causar quemaduras en las manos, el rostro y los ojos.
- No caliente alimentos en recipientes cerrados. La presión dentro del recipiente podría aumentar y podría hacerlo estallar causando lesiones.
- No recubra las paredes internas del horno ni el fondo con papel de aluminio ni permita que entren en contacto con elementos calentadores expuestos en el horno. Esto podría causar riesgo de incendio o daños a la estufa.
- Cuando el horno está en funcionamiento, la superficie superior de la cavidad del cajón se calienta y puede causar quemaduras. Nunca deje a los niños sin supervisión cerca del horno o de la placa de cocción.
- No ponga la mano dentro del cajón mientras el horno está en funcionamiento.

Mantenimiento

- Las rayas grandes o los golpes en las puertas de vidrio pueden romper o hacer estallar el vidrio.
- No guarde artículos de interés para los niños en los gabinetes que están arriba de la estufa o sobre la protección trasera.
 - Si los niños subieran a la estufa para alcanzar algo que buscan, podrían sufrir lesiones graves.
- No intente reparar ni reemplazar ninguna parte de la estufa, a menos que se mencione específicamente en este manual. Todos los demás servicios deben ser derivados a un técnico calificado.

Instrucciones de Conexión a Tierra

- Enchufe su estufa a un tomacorriente de pared conectada a tierra de 120 voltios solamente. No quite la punta redonda de conexión a tierra del enchufe. Si existen dudas acerca de la conexión a tierra del sistema eléctrico de la vivienda, es su responsabilidad personal y su obligación reemplazarla por un tomacorriente adecuado para tres puntas con conexión a tierra de acuerdo con el Código Eléctrico Nacional. No use un cable de extensión ni un adaptador con esta estufa.

Riesgo de incendio y materiales inflamables

- Nunca vista ropa suelta o una prenda que cuelgue mientras use este aparato. Tenga cuidado al tomar objetos ubicados en los gabinetes sobre la estufa. Los materiales inflamables se podrían encender si tuvieran contacto con llamas o superficies calientes del horno y podrían causar quemaduras graves.
- No guarde ni use materiales combustibles, gasolina u otros vapores o líquidos cerca de este o cualquier otro electrodoméstico.
- No coloque materiales inflamables en el horno ni cerca de la placa de cocción.
- No deje grasa de cocina u otros materiales inflamables dentro de la estufa o cerca de ella.
- No utilice agua para apagar incendios provocados por grasa. Nunca toque una sartén en llamas. Apague los controles. Apague una sartén en llamas sobre un quemador cubriendo completamente la sartén con una tapa que quede ajustada, una placa para hornear o una bandeja plana. Use un extintor de sustancia química seca multiuso o de tipo espuma.
 - La grasa en llamas se puede extinguir cubriéndola con bicarbonato de sodio o, si estuviera disponible, mediante un extintor de sustancia química seca multiuso o de tipo espuma.
 - Las llamas en el horno o el cajón de almacenamiento se pueden extinguir por completo si se cierra la puerta del horno o cajón de almacenamiento y se apaga el horno o si se usa un extintor multiuso de sustancia química seca o de tipo espuma.

- La prueba para detectar fugas del aparato se debe realizar según las instrucciones del fabricante.
- Pueden producirse fugas de gas en el sistema y generar un riesgo grave. Es posible que no se detecten fugas de gas solo con el olfato. Los proveedores de gas recomiendan que compre e instale un detector de gas aprobado por UL. Instale el detector y úselo según las instrucciones del fabricante del detector de gas.
- Para reducir la posibilidad de incendios provocados por grasa asegúrese de ubicar la asadera correctamente.
- Siempre retire la asadera de la estufa después de usarla. La grasa que queda en la asadera podría provocar un incendio si se usa el horno sin remover la grasa.
- Si hubiera un incendio causado por la grasa en la asadera, apague la función de cocción que estaba usando y mantenga cerrada la puerta del horno para contener el fuego hasta que se apague.
- Si la carne está muy cerca de la llama durante la cocción, la grasa puede encenderse. Recorte el exceso de grasa para evitar más estallidos.

PRECAUCIÓN

PRECAUCIÓN

- Para reducir el riesgo de lesiones leves a personas, mal funcionamiento o daño al producto o a la propiedad al usar este producto, siga las precauciones básicas, incluidas las siguientes:

Instalación

- Después del uso prolongado de la estufa, se pueden producir temperaturas altas en el piso. Muchos recubrimientos del suelo no resisten este tipo de uso. Nunca instale la estufa sobre baldosas de vinilo o linóleo porque no pueden resistir este uso. Nunca la instale directamente sobre alfombras de cocina.

Funcionamiento

- No use el horno para guardar alimentos o utensilios de cocina. Los elementos guardados en el horno pueden incendiarse.
- Para prevenir daños en la puerta del horno, no intente abrirla cuando aparezca Bloqueo en la pantalla (en algunos modelos).
- No use el horneado retrasado para alimentos altamente perecederos como productos lácteos, cerdo, aves o mariscos.
- Mantenga el horno libre de acumulación de grasa.
- Acomode los estantes en el horno según la posición deseada mientras el horno esté frío.
- Para prevenir quemaduras al retirar alimentos, deslice los estantes hacia afuera hasta que el tope se trabe, luego retire los alimentos. Esto podría protegerlo de quemarse al tocar superficies calientes de la puerta o las paredes del horno.
- Al colocar o retirar una parrilla, use siempre guantes para horno.
- Al usar bolsas para hornear o asar en el horno, siga las instrucciones del fabricante.
- Use solo recipientes de vidrio recomendados para hornos de gas.
- Por seguridad y para lograr una mejor cocción, siempre hornee y ase con la puerta del horno cerrada. Hornear o asar con la puerta abierta puede dañar las perillas o las válvulas. No deje la puerta abierta durante la cocción o mientras el horno se esté enfriando.

Mantenimiento

- No use limpiadores comerciales para horno sobre el acabado ni alrededor de ninguna pieza del horno. Dañarán el acabado del aparato.

10 INSTRUCCIONES IMPORTANTES DE SEGURIDAD

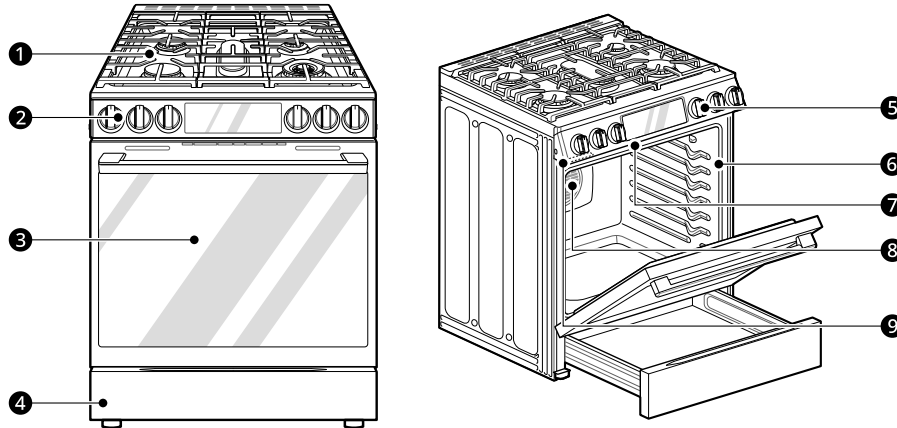
- Para prevenir manchas o decoloración, limpie el electrodoméstico después de cada uso.
- Use guantes al limpiar la estufa para evitar lesiones o quemaduras.
- Limpie con el ciclo de autolimpieza solo las partes indicadas en este manual. Antes de realizar la autolimpieza del horno, retire la asadera, todos los estantes del horno, la sonda para carne y cualquier otro utensilio o alimento del horno.

GUARDE ESTAS INSTRUCCIONES

DESCRIPCIÓN GENERAL DEL PRODUCTO

Características del producto

Interior y exterior



- ❶ Placa de cocción
- ❷ Controlador de la placa de cocción
- ❸ Puerta del horno
- ❹ Cajón de almacenamiento
- ❺ Perilla de modo del horno
- ❻ Junta
- ❼ Quemador de asado
- ❽ Quemador de convección
- ❾ Placa con el número de serie y modelo

Especificaciones del producto

La apariencia y las especificaciones detalladas en este manual podrían variar debido a mejoras constantes en el producto.

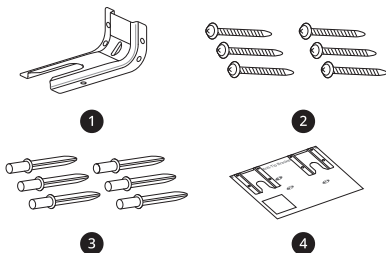
Modelos de estufas con horno	LSGL6337*, LSGL6335*
Descripción	Estufa con horno deslizante
Requisitos eléctricos	0.5 kW 120 VCA
Dimensiones exteriores	29 7/8" (ancho) x 37 1/8" (alto) x 26 7/8" (profundidad) (Profundidad con la puerta cerrada) 75.9 cm (Ancho) x 94.3 cm (Alto) x 68.3 cm (Profundidad) (Profundidad con la puerta cerrada)
Altura hasta la superficie de cocción	37 1/8" (94.3 cm)
Capacidad total	6.3 pies cúbicos

12 DESCRIPCIÓN GENERAL DEL PRODUCTO

Accesorios

Accesorios incluidos

Kit antivuelco



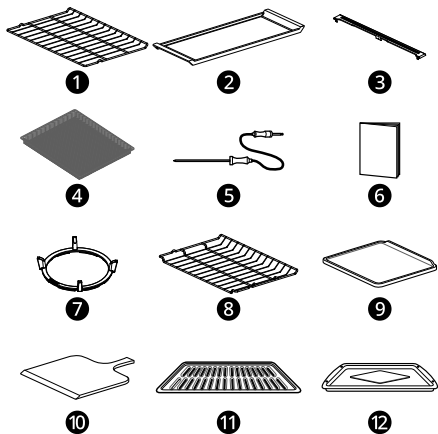
- ❶ Soporte antivuelco (1 c/u)
- ❷ Tornillos (6 c/u)
- ❸ Anclajes (6 c/u)
- ❹ Plantilla (1 c/u)

Kit de conversión para boquilla de LP



- ❶ Boquillas de placa de cocción
 - LSG6337* : 6 c/u
 - LSG6335* : 5 c/u
- ❷ Boquillas de horno (2 c/u)
- ❸ Guía de instalación (1 c/u)

Otros accesorios



- ❶ Estante resistente (1 c/u)
- ❷ Parrilla (1 c/u)
- ❸ Placa trasera (1 c/u)

- ❹ Estante de freír con aire (1 c/u)
- ❺ Sonda para carne (1 c/u)
 - Solo para el modelo LSG6337*
- ❻ Manual del propietario (1 c/u)
- ❼ Rejilla para wok (1 c/u)
 - Solo para el modelo LSG6337*
- ❽ Estante con desplazamiento (1 c/u)
- ❾ Piedra para pizza (1 c/u)
 - Solo para el modelo LSG6337*
- ❿ Pala (1 c/u)
 - Solo para el modelo LSG6337*
- ⓫ Rejilla (1 c/u)
- ⓬ Asadera (1 c/u)

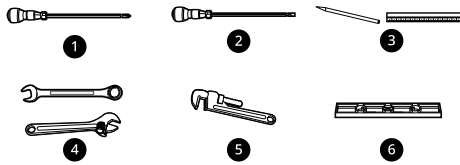
NOTA

- Comuníquese con el Servicio de atención al cliente de LG al 1-800-243-0000 (1-888-542-2623 en Canadá) si le falta algún accesorio.
- Para su seguridad y una mayor duración del producto, utilice únicamente componentes autorizados.
- El fabricante no es responsable del mal funcionamiento del producto ni de accidentes causados por el uso de componentes o piezas no autorizados y comprados por separado.
- Las ilustraciones en esta guía pueden diferir de los componentes y accesorios reales, los cuales están sujetos a cambios sin previo aviso por parte del fabricante a fin de introducir mejoras en el producto.

INSTALACIÓN

Antes de la instalación

Herramientas necesarias



- ❶ Destornillador Phillips
- ❷ Destornillador plano
- ❸ Lápiz y regla
- ❹ Llave para rincones o llave ajustable
- ❺ Llave de tubos (2) (uno para soporte)
- ❻ Nivel

Piezas

Piezas que podría necesitar

- Válvula de corte de línea de gas
- Sellador de juntas de tubería que resista la acción del gas natural y LP
- Conector de artefacto metálico flexible (3/4" o 1/2" NPT x 1/2" D.I.)
 - Nunca use un conector viejo cuando instale una estufa nueva.
- Adaptador de unión acampanada para conexión a línea de suministro de gas (3/4" o 1/2" NPT x 1/2" D.I.)
- Adaptador de unión acampanada para conexión al regulador de presión de la estufa (1/2" NPT x 1/2" D.I.)
- Detector de líquido de fugas o agua jabonosa
- Tirafondo o casquillo de anclaje de 1/2" D.E (solo para pisos de hormigón)

En el Commonwealth de Massachusetts

- Un plomero certificado o un instalador de gas deben instalar este producto.

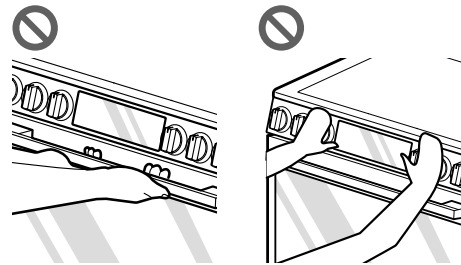
- Cuando utilice válvulas de bola para corte de gas, deben ser manijas en T.
- Cuando use un conector de gas flexible, no debe superar los 3 pies de longitud.

ESPAÑOL

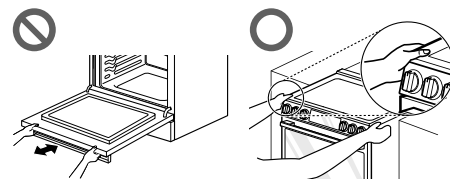
Desembalaje y traslado de la estufa

⚠ ADVERTENCIA

- Debe haber dos o más personas para mover e instalar la estufa. (Peligro de peso excesivo) Si no se cumple con esto, se pueden producir lesiones en la espalda o de otro tipo.
- No utilice las manijas de la puerta ni perillas para empujar o tirar de la estufa durante la instalación, ni al mover la estufa para tareas de limpieza o reparaciones. Si lo hace podría causar daños graves a la estufa.



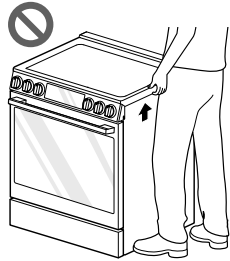
- No agarre solo la puerta abierta del horno ni la placa de cocción para empujar la estufa o tirar de ella, ya que puede causar daños graves en la estufa.



14 INSTALACIÓN

⚠ ADVERTENCIA

- No levante la estufa usando la placa de cocción ni la manija de la puerta. Esto puede provocar daños y un funcionamiento inadecuado de la estufa.

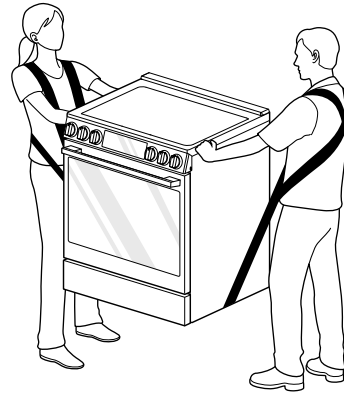


- Para reducir el riesgo de quemaduras, no mueva el electrodoméstico mientras esté caliente.

NOTA

- La imagen puede ser distinta al modelo real.
- La estufa es pesada y puede instalarse sobre revestimientos blandos para pisos como vinilo acolchado o piso alfombrado. Tenga cuidado al mover la estufa sobre este tipo de pisos. Utilice una correa al mover la estufa para evitar dañar el piso. O deslice la estufa sobre un cartón o

madera enchapada para evitar dañar el revestimiento del piso.



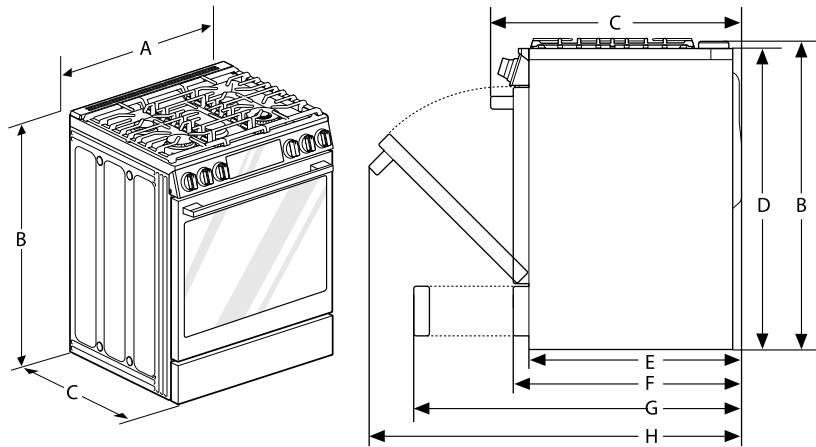
- Retire el material de embalaje, la cinta y cualquier etiqueta temporaria de la estufa, antes de usarla. No retire las etiquetas de advertencia, del modelo y número de serie ni la hoja técnica ubicada en la parte trasera de la estufa.
- Para remover cualquier cinta adhesiva o goma restante frote enérgicamente el área con su pulgar. La cinta adhesiva o residuos de goma pueden ser fácilmente removidos frotando una pequeña cantidad de jabón líquido para platos con sus dedos. Limpie con agua caliente y seque.
- No utilice instrumentos puntiagudos, alcohol para frotar, fluidos inflamables o limpiadores abrasivos para remover cinta adhesiva o goma. Estos productos pueden dañar la superficie de la estufa.

Elección de la ubicación adecuada

Dimensiones y Espacios

- Deje suficiente espacio entre la estufa y las superficies combustibles adyacentes.
- Se deben cumplir estas dimensiones para usar de manera segura su estufa.
- Se debe modificar la ubicación del tomacorriente y la abertura de la tubería (consulte "Ubicaciones de tubería de gas y tomacorriente eléctrico" a continuación) para cumplir los requisitos específicos.
- Se debe instalar la estufa dejando un espacio de 0" (al ras) de la pared posterior.

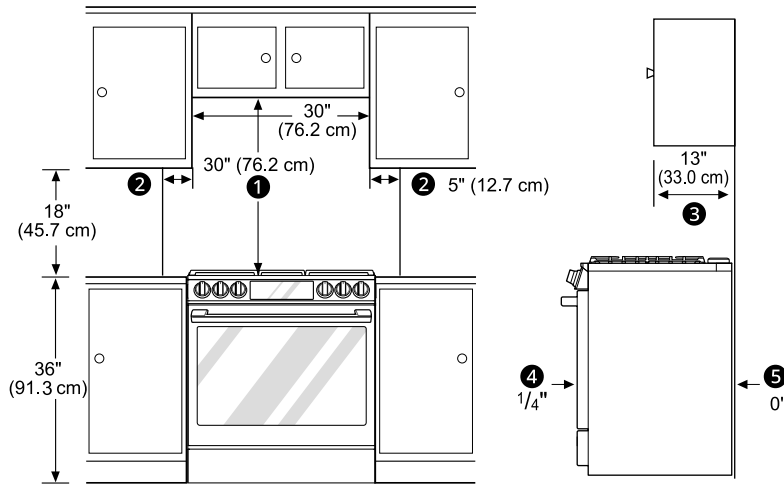
Dimensiones



-	Dimensiones	LSGL6337*, LSGL6335*
A	Ancho	29 7/8" (758.8 mm)
B	Alto	37 1/8" (943 mm)
C	Profundidad (Incluye manija de la puerta)	29 5/16" (743.9 mm)
D	Alto (No incluye moldura de ventilación)	36" (913.0 mm)
E	Profundidad (Incluye solo el cuerpo del producto que se carga en el gabinete. No incluye puerta, cajón y manijas)	24 3/4" (629.4 mm)
F	Profundidad (No incluye manija de la puerta)	26 7/8" (683 mm)
G	Profundidad cuando el cajón está totalmente abierto	38 7/16" (976.7 mm) 36 1/16" (916.2 mm) (no incluye manija)
H	Profundidad cuando la puerta está totalmente abierta	48 5/8" (1235.9 mm)

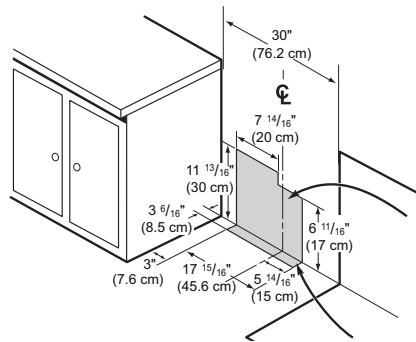
16 INSTALACIÓN

Espacios libres



- ❶ Mínimo
- ❷ Espacio mínimo a la izquierda/derecha de la pared
- ❸ Profundidad máxima para gabinetes ubicados sobre la mesada
- ❹ Borde frontal del panel lateral de la estufa delante del gabinete
- ❺ Para gabinetes debajo de la placa de cocción y en la parte posterior de la estufa

Ubicaciones de tubería de gas y tomacorriente eléctrico



Ventilación

- No instale la estufa donde pueda estar sujeta a corrientes de aire fuertes. Debe sellar todas las aberturas del piso o la pared que están detrás de la estufa. Asegúrese de que las aberturas alrededor de la base de la estufa que brindan aire fresco para la combustión y la ventilación no estén obstruidas por alfombras o madera.
- Este aparato no se debe instalar con un sistema de ventilación que envíe aire hacia abajo en dirección a la estufa. Este tipo de sistema de ventilación podría causar problemas de encendido y combustión en el aparato, que pueden generar lesiones personales y un funcionamiento incorrecto.

Suelo

- Su estufa, al igual que muchos otros electrodomésticos, es pesada y puede instalarse sobre revestimientos blandos para pisos como vinilo acolchado o piso alfombrado. Tenga cuidado al mover la estufa sobre este tipo de pisos.
- Cuando el revestimiento del piso termine frente a la estufa, el área donde se instalará la estufa se debe elevar con madera contrachapada al mismo nivel o más arriba que el revestimiento del piso. Esto permitirá mover la estufa para tareas de limpieza y mantenimiento, además de brindar un adecuado flujo de aire para la estufa.
- Asegúrese de que el revestimiento del piso pueda resistir temperaturas de 167 °F (75 °C) como mínimo. Consulte las Instrucciones de seguridad de instalación incluidas en este manual.

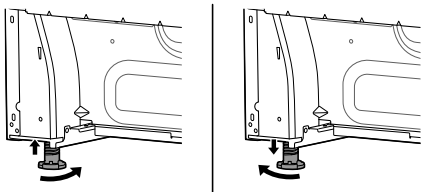
Temperatura ambiente

- Asegúrese de que los revestimientos de las paredes que rodeen su estufa puedan resistir el calor de hasta 194 °F (90 °C) generado por la estufa. Consulte las Instrucciones de seguridad de instalación incluidas en este manual.

Nivelando

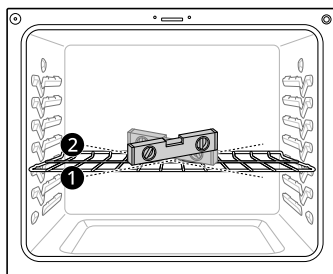
Nivelación de la estufa

Nivele la estufa ajustando las patas de nivelación con una llave. Si extiende las patas ligeramente, podría ser más fácil insertar la pata trasera en el soporte antivuelco.



Verificación de los ajustes

- 1 Ubique el nivelador en diagonal sobre el estante del horno y verifique en todas direcciones para nivelar.
 - Primero verifique la dirección ①. Luego verifique la dirección ②.



- 2 Si el nivelador no queda equilibrado sobre el estante, ajuste las patas de nivelación con una llave.

Conexión de gas

Cómo brindar el suministro adecuado de gas

- Su estufa está diseñada para funcionar con una presión de 5" de columna de agua con gas natural o 10" de columna de agua con LP.
- Asegúrese de suministrarle a su estufa el tipo de gas para el cual está configurada.
- Esta estufa es convertible para uso con gas natural o LP. Al usar la estufa con gas LP, un instalador de gas LP calificado debe realizar la conversión antes de intentar hacer funcionar la estufa.
- Para un funcionamiento adecuado, la presión del gas natural suministrada al regulador debe estar entre 5" y 13" de columna de agua.
- Para usar con gas LP, la presión suministrada al regulador debe estar entre 10" y 13" de columna de agua. Al verificar el funcionamiento correcto del regulador, la presión de entrada debe ser, como mínimo, 1" más que la presión operativa (del colector) según se indica anteriormente.
- El regulador de presión ubicado en la entrada de la estufa debe permanecer en la línea de suministro, independientemente del tipo de gas que se utilice.
- Un conector metálico flexible utilizado para unir la estufa al suministro de gas debe tener un diámetro interior de 5/8" y una longitud máxima

18 INSTALACIÓN

de 5 pies. En Canadá, los conectores flexibles deben ser conectores metálicos de pared simple de menos de 6 pies de longitud.

Conexión de la estufa al gas

⚠ ADVERTENCIA

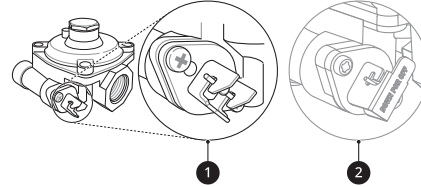
- Aísle la estufa del sistema de suministro de gas cerrando la válvula de corte individual durante cualquier prueba de presión del sistema de gas a presiones de prueba iguales o inferiores a 1/2 psi (3.5 kPa).
- El electrodoméstico y su válvula de corte individual deben estar desconectados del sistema de suministro de gas durante cualquier prueba de presión que se realice a presiones de prueba superiores a 1/2 psi (3.5 kPa).

- Corte el suministro de gas a la estufa con la válvula antes de retirar la estufa anterior y déjela de ese modo hasta que se haya completado la nueva instalación.
- Debido a que las tuberías rígidas restringen el movimiento de la estufa, se debe utilizar un conector metálico flexible con certificación internacional de la Asociación de Normalización Canadiense (Canadian Standards Association, CSA), excepto en caso de que los códigos locales requieran una conexión de tubería rígida.
- Se debe instalar una válvula manual en una ubicación accesible en la tubería de gas externa a la estufa con el fin de abrir o cerrar el suministro de gas a la estufa.
- Nunca reutilice un conector usado cuando instale una estufa nueva.
- Para prevenir las fugas de gas, use un sellador de juntas de tuberías calificado en todas las roscas externas.

- 1 Instale un adaptador de unión acampanada macho de 1/2" o 3/4" a la rosca interna NPT de la válvula de corte manual con cuidado de sujetar la válvula de corte para que no gire.

- 2 Instale un adaptador de unión acampanada macho de 1/2" a la rosca interna de 1/2" NPT en la entrada del regulador de presión. Use una llave de sujeción en el accesorio del regulador de presión para evitar daños.

- Compruebe que el regulador de la válvula de gas se encuentre en posición abierta.



- 1 Posición abierta de la palanca
- 2 Posición cerrada de la palanca

NOTA

- El regulador de presión de gas está en posición abierta desde fábrica. Si la estufa no funciona bien después de la instalación, asegúrese que el regulador de la válvula esté en posición abierta.

- 3 Coloque un conector metálico flexible al adaptador de la estufa. Ubique la estufa para permitir la conexión en la válvula de corte.

- 4 Una vez realizadas todas las conexiones, asegúrese de que todos los controles de la estufa estén en posición OFF (APAGADO) y que la válvula del regulador de presión esté abierta antes de abrir el paso principal de gas.

- Podría haber fugas de gas y crear una situación peligrosa. Las fugas de gas no pueden determinarse solo por el olor.

- 5 Verifique todas las juntas y los accesorios para detectar fugas con un fluido de detección de fugas no corrosivo y luego retírelo.

- Los proveedores de gas recomiendan que compre e instale un detector de gas aprobado por UL. Instale el detector y úselo según las instrucciones de instalación.

⚠ ADVERTENCIA

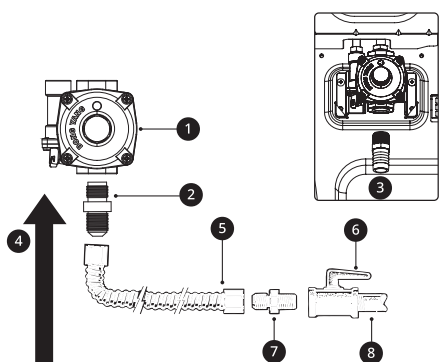
- No use una llama para detectar fugas de gas.

NOTA

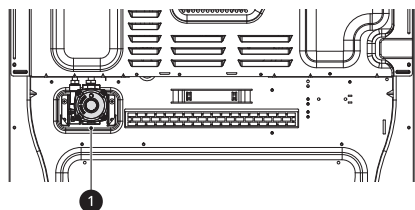
- La instalación debe cumplir los códigos locales o, en ausencia de estos, con lo establecido en el Código Nacional de Gas Combustible, ANSI Z223.1/NFPA 54 o, en Canadá, con el Código de Instalación de Gas Natural y Propano, CSA B149.1.

Montaje del conector flexible

Pídale al instalador que le muestre la ubicación de la válvula de corte de gas de la estufa y cómo cerrarla si es necesario.



- 1 Regulador de presión
- 2 Adaptador de 1/2"
- 3 Adaptador de 1/2"
- 4 Flujo de gas a la estufa
- 5 Conector flexible (6 pies máx.)
- 6 Válvula de corte de gas
- 7 Adaptador de 1/2"
- 8 Tubería de gas de 1/2" o 3/4"

Posición del regulador de presión

- 1 Regulador de presión

Ajuste de los obturadores de aire (para conversiones a gas LP)

La estufa viene de fábrica con los obturadores de aire ajustados para el flujo de aire adecuado para gas natural. Si la estufa se convierte a gas LP, siga las instrucciones del kit de conversión para ajustar los obturadores de aire adecuadamente. Un técnico calificado debe realizar la conversión a gas LP.

Conexión de electricidad**Requisitos eléctricos**

Circuito exclusivo conectado a tierra de forma adecuada de 120 voltios, 60 Hz protegido por un disyuntor de 15 o 20 A o fusible de fusión lenta.

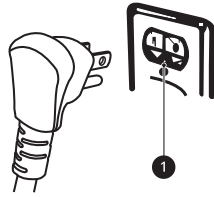
Si se utiliza una fuente eléctrica externa, cuando se instala el electrodoméstico se debe contar con una conexión a tierra que cumpla los códigos locales o, en ausencia de estos, con lo establecido en el Código Eléctrico Nacional, NFPA70 o el Código Eléctrico Canadiense, CSA C22.1-02

Conexión a tierra**⚠ ADVERTENCIA**

- Por razones de seguridad personal, este aparato debe contar con una conexión a tierra adecuada.
- Este electrodoméstico está equipado con un enchufe de toma de tierra con tres clavijas para su protección contra el riesgo de descargas eléctricas y debe estar enchufado directamente en un tomacorriente con una toma de tierra adecuada.
- No corte ni retire la clavija de toma a tierra de este enchufe.
- El cliente debe solicitar que un electricista calificado verifique el receptáculo en la pared y el circuito para asegurarse de que la conexión a tierra sea adecuada.
- El cable de alimentación de este aparato está equipado con un enchufe de 3 puntas (conexión a tierra) que se conecta a un receptáculo de pared estándar para enchufes de 3 puntas, a fin de minimizar la posibilidad de descarga eléctrica desde el aparato.
- Si se encuentra un receptáculo de pared estándar para dos puntas, es responsabilidad personal y obligación del cliente reemplazarlo por uno con tres puntas con la conexión a tierra adecuada.

20 INSTALACIÓN

- Asegúrese de que haya una conexión a tierra ❶ adecuada antes del uso.



- No utilice un enchufe adaptador. Desconectar el cable de alimentación genera tensión indebida en el adaptador y una falla eventual en el terminal a tierra del adaptador.

Quemadores de superficie

Ensamblaje de los quemadores de superficie

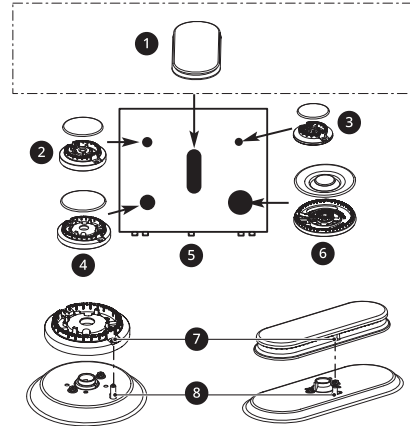
⚠ PRECAUCIÓN

- No haga funcionar los quemadores sin todas las piezas colocadas.

- 1 Coloque las tapas de los quemadores y los cabezales sobre la placa de cocción.
 - Hay un juego de tapa y cabezal de quemador de tamaño pequeño, uno de tamaño mediano, uno de tamaño grande, uno ovalado (en el centro) y uno de tamaño extragrande.

- 2 Asegúrese de que las tapas y los cabezales estén en las ubicaciones correctas.

- 3 Asegúrese de que el orificio del cabezal del quemador esté ubicado sobre el electrodo.



- ❶ Juego de cabezal/tapa del quemador ovalado (central)
- ❷ Cabezal y tapa del quemador mediano
- ❸ Cabezal y tapa del quemador pequeño
- ❹ Cabezal y tapa del quemador grande
- ❺ Frente de la estufa
- ❻ Cabezal y tapa del quemador doble
- ❼ Orificio
- ❽ Electrodo

Verificación de encendido de los quemadores de superficie

Encendido eléctrico

Seleccione la perilla de un quemador de superficie y empuje mientras gira hasta la posición **Lite**. Escuchará un clic que indica el funcionamiento correcto del módulo de chispa.

Cuando el aire de las líneas de suministro se haya purgado, el quemador debe encenderse en 4 segundos. Después de que se encienda el quemador, gire la perilla para retirarla de la posición **Lite**. Pruebe con cada quemador sucesivamente hasta verificarlos todos.

Calidad de las llamas

Debe confirmar visualmente la calidad de combustión de las llamas de los quemadores.

Llamas amarillas

Solicite mantenimiento.

**Puntas amarillas en conos externos**

Esto es normal para el gas LP.

**Llamas azul claro**

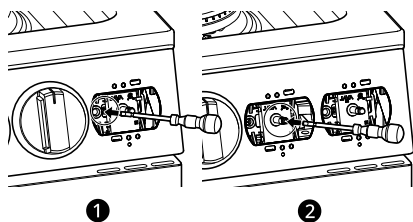
Esto es normal para el gas natural.

**NOTA**

- Con gas LP, es normal detectar algunas puntas amarillentas en los conos externos.

Ajuste del quemador de superficie en la configuración Low Flame (Simmer) (Llama baja [Fuego lento])

- 1 Encienda todos los quemadores de superficie.
- 2 Gire la perilla del quemador que se está ajustando hasta la posición **Lo**.
- 3 Quite la perilla y el anillo de la perilla.
- 4 Inserte un destornillador pequeño de hoja plana con una longitud mínima de 3" (76.2 mm) y un diámetro de 3/32" (2.4 mm) en la abertura marcada a continuación.



- 1 Fuego lento en el quemador doble

- 2 Fuego lento en otros quemadores

- 5 Gire el tornillo para ajustar la llama.
 - Sostenga el eje de la válvula con una mano mientras gira el tornillo para ajustar con la otra.
- 6 Vuelva a colocar la perilla.
- 7 Pruebe la estabilidad de la llama.
 - Prueba 1: Gire la perilla de **Hi** a **Lo** con rapidez. Si la llama se apaga, aumente el tamaño de la llama y vuelva a probar.
 - Prueba 2: Con el quemador en la configuración **Lo** abra y cierre la puerta del horno rápido. Si la llama se apaga por la corriente de aire creada debido al movimiento de la puerta, aumente la altura de la llama y vuelva a probar.
- 8 Repita los pasos del 1 al 7 para cada quemador de superficie.

NOTA

- El producto se envía con el ajuste de llama baja (Simmer/Fuego lento) en el límite inferior. No se puede establecer más bajo.

Relleno trasero opcional**Instalación de la placa trasera**

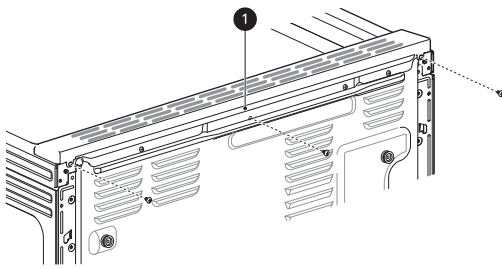
Si la encimera no cubre la abertura en la pared posterior, se necesitará el kit de placa trasera que se suministra con la estufa empotrable.

NOTA

- Si la profundidad de la encimera es mayor que 25 3/8", habrá un espacio entre el kit del filtro y la pared posterior.
- Si la profundidad de la encimera es menor que 24 3/4", el panel de control no se colocará al ras de la encimera.

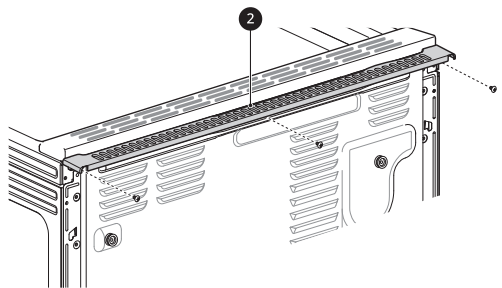
- 1 Con un destornillador, retire los tres tornillos que sujetan la placa superior trasera en su lugar.

22 INSTALACIÓN



1 Placa superior trasera

- 2 Fije el conjunto de placa superior trasera y relleno como se muestra en la imagen, con los tres tornillos que retiró en el paso 1.



2 Placa trasera

Dispositivo antivuelco

Instalación del dispositivo antivuelco

Peligro de vuelco

⚠ ADVERTENCIA

- Un niño o adulto pueden volcar la estufa y morir.



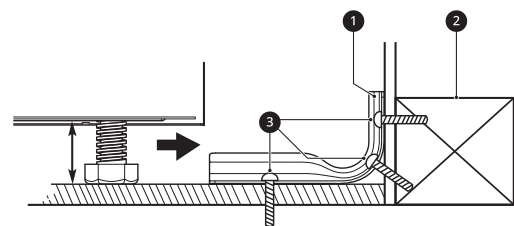
- Coloque el dispositivo antivuelco en la estructura y/o estufa. Verifique que el dispositivo antivuelco se haya instalado y acoplado correctamente siguiendo la guía del soporte antivuelco.
- Enganche la estufa al dispositivo antivuelco conforme a la guía del soporte antivuelco. Asegúrese que el dispositivo antivuelco se vuelva a acoplar cuando se mueva la estufa según la guía del soporte antivuelco.
- Vuelva a enganchar el dispositivo antivuelco si mueve la estufa. No opere la estufa sin el dispositivo antivuelco en su lugar y enganchado.

- Consulte las instrucciones de instalación para obtener los detalles.
- Si no sigue estas instrucciones puede ocasionar la muerte o quemaduras graves en niños o adultos.
- Se debe asegurar la estufa con un dispositivo antivuelco aprobado.
- La estufa puede inclinarse si una persona se pone de pie, se sienta o apoya en la puerta abierta y el dispositivo antivuelco no está instalado de manera adecuada.
- El uso de este dispositivo no impide que la estufa se caiga si no está bien instalado.

- Después de instalar el dispositivo antivuelco, intente inclinar la estufa hacia adelante para verificar una correcta instalación.
- Esta estufa está diseñada para cumplir con todos los estándares de vuelco reconocidos por la industria para todas las condiciones normales.
- La instalación del dispositivo antivuelco debe cumplir con todos los códigos locales para asegurar el electrodoméstico.

Uso de la plantilla de soporte antivuelco

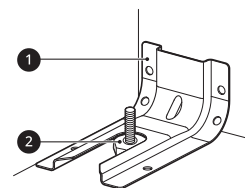
- Se incluye un soporte antivuelco con una plantilla de instalación. Las instrucciones incluyen la información necesaria para completar la instalación. Lea y siga la hoja de instrucciones de instalación de la estufa.
- Los tornillos 3 deben ser aptos para madera u hormigón.



1 Soporte antivuelco

2 Placa de pared

Colocación del dispositivo antivuelco



1 Soporte antivuelco

2 Pata de nivelación

- 1 Deslice la estufa contra la pared y asegúrese de que la pata trasera se deslice y se enganche en el soporte antivuelco.
- 2 Verifique la correcta instalación sujetando el borde delantero de la placa de cocción e intente inclinar la estufa hacia adelante.

- 2 Gire la perilla de modo del horno para seleccionar el modo **Broil**. **Hi** aparece en la pantalla.

- Asegúrese de que la puerta esté cerrada.

- 3 Presione **START**.

NOTA

- El quemador podría demorar entre 30 y 90 segundos para comenzar a calentar.

Prueba de funcionamiento

Pruebe la estufa antes de usarla

NOTA

- No intente encender los quemadores de Hornear o Asar durante un corte de energía. La estufa tiene un sistema de encendido eléctrico y no se puede utilizar sin energía eléctrica.

Verificación del funcionamiento de los quemadores para hornear

Para verificar el encendido del quemador para hornear, siga los pasos que se indican a continuación:

- 1 Retire todos los materiales de embalaje del interior de la cavidad del horno.
- 2 Gire la perilla de modo del horno para seleccionar el modo **Bake**. Aparece 350 °F en la pantalla.
 - Asegúrese de que la puerta esté cerrada.
- 3 Presione **START**.

NOTA

- El quemador podría demorar entre 30 y 90 segundos para comenzar a calentar.

Verificación del funcionamiento de los quemadores para asar

Para verificar el encendido del quemador para asar, siga los pasos que se indican a continuación:

- 1 Retire todos los materiales de embalaje del interior de la cavidad del horno.

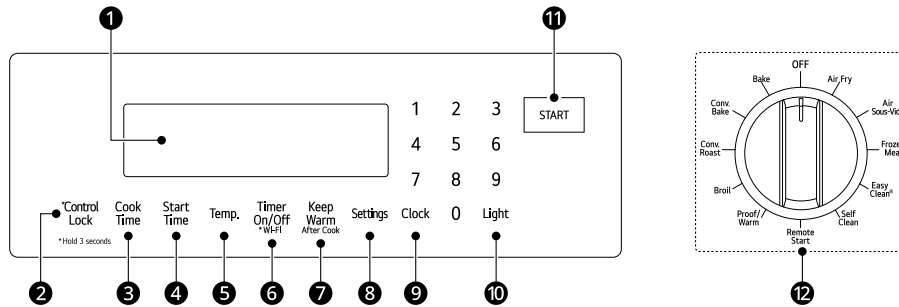
24 FUNCIONAMIENTO

FUNCIONAMIENTO

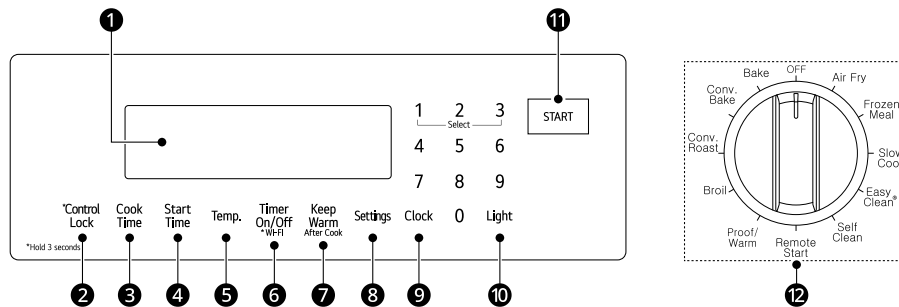
Panel de control

Funciones del panel de control

Modelo: LSG6337*



Modelo: LSG6335*



1 Pantalla

Presione cualquier botón del panel de control para activar la pantalla. En el modo reposo, la pantalla se atenúa.

2 Control Lock

Mantenga presionado el botón durante 3 segundos para bloquear el panel de control.

3 Cook Time

Presione el botón para configurar la cantidad de tiempo que desea cocinar la comida. El horno se apaga cuando se agota el tiempo de cocción establecido.

4 Start Time

Presione el botón para configurar la cocción programada retrasada. El horno se inicia a la hora configurada.

5 Temp.

Presione el botón para configurar la temperatura durante el uso del horno.

6 Timer On/Off / Wi-Fi

Presione el botón para configurar o cancelar el temporizador.

Mantenga presionado el botón durante 3 segundos para conectar el electrodoméstico a una red Wi-Fi.

7 Keep Warm

Presione el botón para mantener la comida caliente en el horno luego de la cocción.

- Esta función debe usarse después de cocinar en el horno.

8 Settings

Presione el botón para seleccionar y hacer ajustes en la configuración del horno.

9 Clock

Presione el botón para configurar la hora del día.

10 Light

Presione el botón para encender o apagar la luz del horno.

11 START

Presione el botón para iniciar todas las funciones del horno.

12 Perilla de modo del horno

Gire la perilla para seleccionar el modo de operación del horno.

NOTA**• Reloj intermitente**

Si el signo de dos puntos parpadea en la pantalla del reloj, presione **Clock** y restablezca la hora, o presione cualquier tecla para detener el parpadeo.

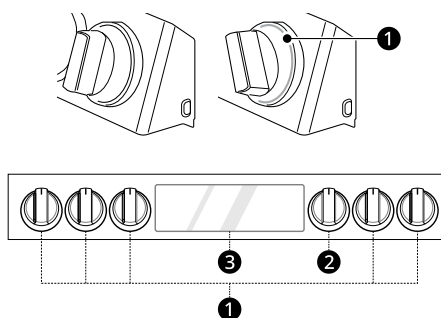
• Configuración de la hora, el temporizador y la temperatura

Si introduce un dígito de un número incorrectamente, introduzca el número complete nuevamente para corregirlo. Por ejemplo, si presiona 1, 0, 3 y 1 para programar el reloj a las 10:30, presione 1, 0, 3 y 0 para ingresar la hora correcta.

Luz de perilla / pantalla (Modelo LSGL6337*)

Esta característica solo está disponible en algunos modelos.

La luz de perilla ilumina el borde de la perilla al girarla para operar los elementos calentadores (sin incluir la perilla de Modo).



- 1 Luz de perilla
- 2 Perilla de modo
- 3 Luz pantalla

NOTA

- La perilla de Modo del horno no tiene la luz de perilla.
- La activación de **Control Lock** no impide que la luz de la perilla o los elementos de la placa de cocción se enciendan al girar una perilla de la placa de cocción.

Cambio de configuración del horno**Reloj**

El reloj debe estar configurado en la hora correcta para que las funciones con temporizador del horno funcionen correctamente.

- 1 Presione **Clock**.

- 2 Presione los números para ingresar la hora. Por ejemplo, para configurar 10:30, presione los botones: 1, 0, 3 y 0.

- 3 Presione **START**.

NOTA

- La hora del día no puede modificarse durante los ciclos de horneado con temporizador o de autolimpieza.
- Para comprobar la hora mientras se muestra otra información en pantalla, presione **Clock**.

26 FUNCIONAMIENTO

NOTA

- Si no se presionan los botones numéricos dentro de los 25 segundos después de presionar el botón **Clock** la pantalla vuelve a la configuración original.
- Si puede verse una hora parpadeando en la pantalla, se ha experimentado un corte de energía. Reconfigure el reloj.
- El control está configurado para usar un reloj de 12 horas. Si desea configurar el reloj en el modo de 24 horas, consulte la sección Configuración.

Luz del horno

La luz interior del horno se enciende de forma automática cuando se abre la puerta.

- Presione **Light** para encender la luz del horno de forma manual.

NOTA

- La luz del horno no se puede encender si está activa la función Self Clean.
- La luz del horno se apaga automáticamente luego de 90 segundos.

Timer On/Off (Temporizador encendido/apagado)

El Temporizador sirve de temporizador adicional en la cocina y emite un pitido cuando se ha agotado el tiempo configurado. No inicia ni detiene la cocción.

La función Temporizador se puede utilizar durante cualquiera de las funciones de control del horno.

Por ejemplo, para configurar 5 minutos:

- 1 Presione **Timer On/Off** una vez.
En la pantalla aparece 0:00 y parpadea **Timer**.

NOTA

- Presione **Timer On/Off** dos veces para configurar la hora en minutos y segundos.
- Presione **Timer On/Off** una vez para configurar la hora en horas y minutos.

- 2 Presione **5**.
En la pantalla aparece 0:05.

- 3 Presione **Timer On/Off** para iniciar el temporizador. La cuenta regresiva del tiempo restante aparece en pantalla.

NOTA

- Si no se presiona **Timer On/Off**, la pantalla vuelve a mostrar la hora del día.
- Si en la pantalla no aparece el tiempo restante, recupérela presionando **Timer On/Off**.

- 4 Cuando el tiempo establecido se agota, aparece **End** en la pantalla. Los tonos indicadores suenan cada 15 segundos hasta que se presiona **Timer On/Off**.

Cancelación del temporizador

- 1 Presione **Timer On/Off** una vez.
La pantalla vuelve a mostrar la hora del día.

Wi-Fi

El botón **Wi-Fi** se usa para conectar el electrodoméstico a una red de Wi-Fi doméstica.

- 1 Gire la perilla de modo del horno a la posición **OFF**.
- 2 Mantenga presionado **Timer On/Off** durante 3 segundos.
- 3 Se emite el sonido de encendido, en la pantalla aparece **SEt** (Ajustes), y parpadea el icono de Wi-Fi (📶).
- 4 Conecte el electrodoméstico en la red de Wi-Fi con la aplicación del teléfono inteligente **LG ThinQ**.
- 5 Para desconectar el artefacto de la red, elimínalo de los artefactos registrados en la aplicación.

NOTA

- Consulte la sección de Funciones Inteligentes en el manual del usuario para obtener más detalles.

Configuración (Modo de horas, Conversión automática a convección, Calibración de la temperatura del horno, Luz de alarma de precalentado, Volumen del indicador sonoro, Fahrenheit o Celsius, Wi-Fi Encendido/Apagado)

Presione el botón **Settings** (Ajustes) varias veces para alternar entre las diferentes configuraciones del horno y modificarlas.

El botón **Settings** permite:

- **Configurar el modo de horas en el reloj (12 o 24 horas)**
- **Habilitar/inhabilitar la conversión automática a convección**
- **calibrar la temperatura del horno**
- **Activar/desactivar la luz de alarma de precalentamiento**
- **Configurar el volumen del indicador sonoro**
- **Cambiar la escala de temperatura entre Fahrenheit y Celsius**
- **activar/desactivar el Wi-Fi**

Configuración del modo de la hora

El control está configurado para usar un reloj de 12 horas. Si desea configurar el reloj en el modo de 24 horas, siga los pasos a continuación.

- 1 Presione **Settings** una vez.
- 2 Presione **1** para ir cambiando entre un reloj de 12 horas y uno de 24 horas.
- 3 Presione **START** para aceptar el cambio.

Configuración del modo de conversión automática a convección

Cuando se seleccionan los modos **Conv. Bake** y **Conv. Roast**, la función Conversión automática a convección convierte de manera automática la temperatura estándar de la receta ingresada en una temperatura de convección al restar 25 °F / 14 °C. Esta temperatura convertida automáticamente aparece en la pantalla. Por ejemplo, si selecciona **Conv. Bake** e ingresa 350 °F, en la pantalla aparecerá 325 °F después de precalentar.

- 1 Presione **Settings** varias veces hasta que aparezca **AdJU** en la pantalla.

- 2 Presione **1** para habilitar o inhabilitar la conversión automática.

- 3 Presione **START** para aceptar el cambio.

NOTA

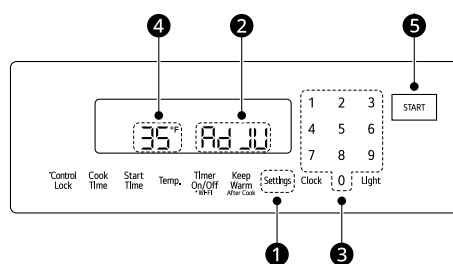
- El modo de cocción por convección utiliza la circulación de aire para cocinar más rápido y de forma más pareja que el modo de cocción normal, por lo que se pueden obtener mejores resultados de cocción que con el horneado normal, incluso cuando la temperatura se reduce en 25 °F/14 °C.

Calibración de la temperatura del horno

Cuando empiece a utilizar el horno, preste mucha atención a las temperaturas, los tiempos y las posiciones de los estantes recomendados en el manual. Este horno podría ser diferente de su horno anterior, por lo que podría llevarle algún tiempo acostumbrarse a él. Si ha seguido las guías de recomendaciones de este horno y todavía cree que la temperatura es más alta o más baja de lo esperado, puede calibrar manualmente la temperatura que se muestra en el horno.

Hay 2 métodos para ajustar la pantalla de temperatura.

- Método 1: Intente calcular cuánto debe aumentar o disminuir la temperatura indicada probando recetas conocidas a temperaturas superiores o inferiores a las recomendadas. Esto podría ayudarle a decidir cuánto desea ajustar la temperatura.
- Método 2: Suba o baje la temperatura 15 °F (8 °C) al principio. Pruebe el horno con este ajuste. Si aún necesita ajustar la temperatura del horno, use los resultados del primer ajuste como referencia y cambie la cantidad de ajuste de temperatura hasta que logre calibrar la pantalla de temperatura del horno a su gusto.



- 1 Presione **Settings** ① (Configuración) varias veces hasta que **AdJU** ② aparezca en la pantalla.

28 FUNCIONAMIENTO

- 2 Use los botones numéricos **9** para ingresar la cantidad de grados a los que desea ajustar la temperatura del horno. El ajuste de la temperatura se muestra junto a **Fi** **4**. Puede subir o bajar la temperatura en 35 °F o 19 °C.
- 3 Para bajar la temperatura, presione **Settings** **1** (Configuración) para agregar un signo menos (-) al número mostrado. Para subir la temperatura, presione **Settings** **1** para quitar el signo menos de la pantalla.
- 4 Presione **START** **5** para aceptar el cambio.

NOTA

- Este ajuste no afecta a las temperaturas de asado o SelfClean. El ajuste se retiene en la memoria después de una falla eléctrica. La temperatura del horno puede ajustarse en ± 35 °F (± 19 °C).
- Una vez ajustada la temperatura, presione **Settings** (Configuración) varias veces hasta que aparezca **Fi** para que pueda ver la cantidad ajustada y cambiarla si es necesario.
- Las temperaturas mostradas por un termómetro de horno colocado en la cavidad del horno podrían diferir de la temperatura real configurada del horno en todos los modos.

Encendido/apagado de la luz de alarma de precalentamiento

Cuando el horno alcanza la temperatura programada, la luz de alarma de precalentamiento titila 5 veces o hasta que se abra la puerta del horno.

Puede activar o desactivar la luz de alarma de precalentamiento.

- 1 Presione **Settings** varias veces hasta que aparezca **PrE** en la pantalla.
- 2 Presione **1** varias veces para seleccionar el encendido o apagado de la luz.
- 3 Presione **START** para aceptar el cambio.

Ajuste del volumen del indicador sonoro

- 1 Presione **Settings** varias veces hasta que aparezca **BEEP** en la pantalla.
- 2 Presione **1** varias veces para seleccionar **Hi**, **Lo** o bien **OFF**.
- 3 Presione **START** para aceptar el cambio.

NOTA

- Ajustar el volumen de la señal acústica no afecta el volumen de la alarma de precalentamiento.

Selección de grados Fahrenheit o Celsius

Configure la visualización de la temperatura del horno para que muestre unidades Fahrenheit (°F) o Celsius (°C). El ajuste predeterminado del horno es en unidades Fahrenheit, a menos que lo cambie el usuario.

- 1 Presione **Settings** varias veces hasta que aparezca **Un it** en la pantalla.
- 2 Presione **1** varias veces para seleccionar **F** (Fahrenheit) o **C** (Celsius).
- 3 Presione **START** para aceptar el cambio.

Encender/Apagar el Wi-Fi

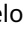

Puede encender o apagar el transmisor Wi-Fi de la PCB.

- 1 Presione **Settings** varias veces hasta que aparezca **Wi-Fi** en la pantalla.
- 88:88
- 2 Presione **1** para encender o apagar el transmisor Wi-Fi.
 - 3 Presione **START** para aceptar el cambio.

Bloqueo de control

La función **Control Lock** (Bloqueo de Control) bloquea el panel de control y la perilla de modo del horno, pero no bloquea la puerta del horno.

- Cuando la función **Control Lock** está activada, la placa de cocción sigue funcionando pero la perilla del modo de horno no funciona.

- 1 Mantenga presionado el botón **Control Lock** por tres segundos.
- 2 Suena la melodía de bloqueo. El ícono  y de candado  aparecen en la pantalla.
- 3 Para desactivar la función **Control Lock**, mantenga presionado el botón **Control Lock** durante tres segundos. Suena la melodía de desbloqueo y se destraban los controles.

NOTA

- La activación de **Control Lock** no impide que la luz de la perilla o los elementos de la placa de cocción se enciendan al girar una perilla de la placa de cocción.

Hora de inicio (Cocción programada retrasada)

El temporizador automático de la función Cocción programada retrasada enciende y apaga el horno a la hora que usted seleccione. Esta función puede usarse junto con los modos **Bake**, **Conv. Bake**, **Conv. Roast** y **Self Clean**.

⚠ PRECAUCIÓN

- Tenga cuidado con las funciones de Cocción programada retrasada. Utilice el temporizador automático cuando cocine carnes curadas o congeladas y la mayoría de las frutas y verduras. Los alimentos que se pueden echar a perder fácilmente, como la leche, los huevos, el pescado, la carne o las aves, deben enfriarse primero en el refrigerador. Incluso cuando estén fríos, no deben permanecer en el horno durante más de 1 hora antes de que comience la cocción, y deben retirarse inmediatamente cuando finalice la cocción. Comer alimentos en mal estado puede provocar enfermedades por intoxicación alimentaria.

Configuración de la Cocción programada retrasada

Por ejemplo, para hornear a 300 °F durante 30 minutos y retrasar el inicio del proceso de horneado hasta las 4:30, primero debe configurar el reloj para la hora correcta del día.

- 1 Gire la perilla de modo del horno para seleccionar **Bake**. En la pantalla aparece 350 °F
- 2 Configure la temperatura: presione los botones **3**, **0** y **0**.
- 3 Presione **Cook Time. Timed** parpadea en la pantalla. **Bake**, 0:00 y 300 °F aparece en la pantalla.
- 4 Configure la hora de inicio: presione **3** y **0** (durante 30 minutos).
 - El tiempo de horneado se puede configurar para cualquier cantidad de tiempo entre 1 minuto y 11 horas y 59 minutos
- 5 Presione **Start Time**.
- 6 Configure la hora de inicio: presione **4**, **3** y **0** para 4:30.
- 7 Presione **START**. Suena un tono corto y **Timed Delay** y la hora de inicio aparecen en la pantalla. El horno comienza a funcionar a la hora de inicio configurada.

NOTA

- Para cancelar la función Cocción programada retrasada, presione **OFF** en cualquier momento.
- Para cambiar el tiempo de cocción, repita el paso 3, ingrese el nuevo tiempo, y presione **START**.
- Si el reloj de horno está configurado para 12 horas, puede retrasar la hora de inicio de la cocción 12 horas. Si el reloj de horno está configurado para 24 horas, puede retrasar la hora de inicio de la cocción 24 horas.

El horno seguirá cocinando durante la cantidad de tiempo configurada y luego se apagará automáticamente. Cuando haya transcurrido el tiempo de cocción:

30 FUNCIONAMIENTO

- **End** y la hora del día aparecen en la pantalla.
- El tono indicador de fin de cocción suena cada 60 segundos hasta que la perilla del modo de horno gira a la posición **OFF**.

Cook Time (Timed Cook) (Tiempo de cocción [Cocción programada])

Configure el horno para que realice la cocción durante un período específico de tiempo mediante la función Cocción programada. Esta función solo puede usarse junto con los modos **Bake** (Hornear), **Conv. Bake** (Horneado por convección), **Conv. Roast** (Rostizado por convección), **Air Sous-Vide** (Cocción al vacío por flujo de aire), **Air Fry** (Freír con aire), **Frozen Meal** (Comida congelada) y **Proof** (Leudar).

Configuración de la Cocción cronometrada

Por ejemplo, para hornear a 300 °F durante 30 minutos, primero debe configurar el reloj para la hora correcta del día.

- 1 Gire la perilla de modo del horno para seleccionar el modo **Bake** 350 °F aparece en la pantalla.
- 2 Configure la temperatura. Presione los botones **3**, **0** y **0**.
- 3 Presione **Cook Time**. **Timed** parpadea en la pantalla. **Bake**, 0:00 y 300 °F aparece en la pantalla.
- 4 Configure el tiempo de horneado: presione **3** y **0** (durante 30 minutos).
 - El tiempo de horneado se puede configurar para cualquier cantidad de tiempo entre 1 minuto y 11 horas y 59 minutos
- 5 Presione **START**.

El horno seguirá cocinando durante la cantidad de tiempo configurada y luego se apagará automáticamente. Cuando haya transcurrido el tiempo de cocción:

- **End** y la hora del día aparecen en la pantalla.
- El tono indicador de fin de cocción suena cada 60 segundos hasta que la perilla del modo de horno gira a la posición **OFF**.

Cambio de Tiempo de cocción durante la cocción

Por ejemplo, para cambiar el tiempo de cocción a 1 hora y 30 minutos durante la cocción, haga lo siguiente.

- 1 Presione **Cook Time**.
- 2 Cambie el tiempo de horneado: presione **1**, **3**, **0**.
- 3 Presione **START** para aceptar el cambio.

Configuraciones mínimas y máximas predeterminadas

Todas las funciones detalladas tienen un ajuste mínimo y máximo de tiempo o temperatura que puede ingresarse en el control. Cada vez que se presiona un botón de control, suena un pitido.

Suena un tono de error de la entrada (dos tonos cortos) si la entrada de la temperatura o tiempo está por debajo de la configuración mínima o por encima de la máxima para esa función.

† Esta característica solo está disponible en algunos modelos.

*Temperatura si usa la conversión automática

Característica		Min. Temp. / Hora	Máx. Temp. / Hora	Predeter minado
Clock	12 horas	01:00 Horas/min.	12:59 Horas/min.	
	24 horas	0:00 Horas/min.	23:59 Horas/min.	
Timer	12 horas	0:01 min./seg.	11:59 Horas/min.	
	24 horas	0:01 min./seg.	11:59 Horas/min.	

Característica		Min. Temp. / Hora	Máx. Temp. / Hora	Predeterminado
Cook Time	12 horas	0:01 Horas/min.	11:59 Horas/min.	
	24 horas	0:01 Horas/min.	11:59 Horas/min.	
Conv. Bake		300 °F/ (*275 °F)	550 °F/ 285 °C	350 °F (*325 °F)/ 12 horas
Conv. Roast		300 °F/ (*275 °F)	550 °F/ 285 °C	350 °F (*325 °F)/ 12 horas
Broil		Bajo	Alto	Alto / 3 horas
Bake		170 °F/ 80 °C	550 °F/ 285 °C	350 °F/ 12 horas
Proof		0:01 Horas/min.	11:59 Horas/min.	12 horas
Warm				3 horas
Probe [†]		80 °F/ 27 °C	210 °F/ 100 °C	150 °F/ 65 °C
Self Clean		3 horas	5 horas	4 horas
EasyClean				10 min.
Frozen Meal		300 °F/ 150 °C 0:01 Horas/min.	550 °F/ 285 °C 11:59 Horas/min.	400 °F/ 205 °C
Air Fry		300 °F/ 150 °C 0:01 Horas/min.	550 °F/ 285 °C 11:59 Horas/min.	400 °F/ 205 °C
Air Sous-Vide [†]		100 °F/ 38 °C 0:01 Horas/min.	205 °F/ 96 °C 47:59 Horas/min.	130 °F/ 54 °C
Slow Cook [†]		Bajo 0:01 Horas/min.	Alto 11:59 Horas/min.	Alto

NOTA

- Los tiempos predeterminados del modo de cocción se habilitan si no se configura un tiempo de cocción.

Quemadores de superficie de gas

Antes de usar los quemadores de superficie a gas

Lea todas las instrucciones antes de usar.

⚠ ADVERTENCIA

- Incluso si la llama del quemador superior se apaga, el gas sigue saliendo hacia el quemador hasta que la perilla se gire a la posición **OFF**. Si huele gas, abra una ventana de inmediato y ventile el área durante cinco minutos antes de volver a usar el quemador. No deje los quemadores encendidos sin supervisión.
- Use el tamaño adecuado de olla. No use ollas inestables o que puedan volcarse con facilidad. Seleccione utensilios de cocina con fondo plano del tamaño suficiente para cubrir las rejillas del quemador. A fin de evitar derrames, asegúrese de que el recipiente tenga el tamaño suficiente para contener los alimentos de manera adecuada. Esto ahorrará tiempo de limpieza y evitará la acumulación riesgosa de alimentos, ya que las salpicaduras o los derrames que quedan en la estufa pueden encenderse. Use ollas con mangos que se puedan sostener con facilidad y que permanezcan fríos.

⚠ PRECAUCIÓN

- Para evitar que se decolore con el uso, siga los consejos en la sección de Mantenimiento.
- No haga funcionar el quemador durante mucho tiempo sin colocar utensilios de cocina en la rejilla.
- El acabado de la rejilla puede saltarse si no hay utensilios de cocina que absorban el calor.
- Tocar las rejillas antes de que se enfríen puede causar quemaduras.
- Qué hacer si huele gas
 - Abra las ventanas.
 - No intente encender ningún aparato.
 - No toque ningún interruptor eléctrico.
 - No use ningún teléfono en su edificio.

32 FUNCIONAMIENTO

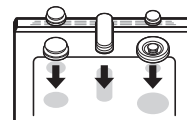
⚠ PRECAUCIÓN

- Llame a su compañía de gas inmediatamente desde el teléfono de un vecino. Siga las instrucciones de la compañía de gas.
- Si no puede comunicarse con su compañía de gas, llame al departamento de bomberos.
- Asegúrese de que todos los controles de superficie estén en posición **OFF** antes de suministrar gas a la estufa.
- Nunca deje los quemadores de superficie sin supervisión en ajustes de llama alta. Las salpicaduras o los derrames pueden provocar humo y encenderse.
- Coloque siempre las perillas en la posición **Lite** al encender los quemadores superiores y asegúrese de que se hayan encendido.
- Controle el tamaño de la llama del quemador de superficie para que no se extienda sobre el borde del utensilio de cocina. Las llamas excesivas son peligrosas.
- Use solo agarraderas secas. Las agarraderas húmedas o mojadas sobre superficies calientes pueden producir quemaduras por vapor. No deje que las agarraderas se acerquen a las llamas al levantar una pieza de los utensilios de cocina. No use toallas ni otros paños abultados. Use siempre agarraderas.
- Al usar utensilios de cocina de vidrio, asegúrese de que estén diseñados para la cocción sobre la cocina.
- Para minimizar la posibilidad de incendio de materiales inflamables y derrames, coloque los mangos de los utensilios hacia la parte trasera de la estufa sin que se extiendan sobre los quemadores adyacentes.
- Nunca deje objetos sobre la placa de cocción. El aire caliente de la ventilación puede encender objetos inflamables y aumentar la presión de los recipientes cerrados, lo que puede provocar su estallido.
- Vigile con atención los alimentos que se frían con llama alta.
- Siempre caliente la grasa lentamente y vigile mientras aumenta la temperatura.
- Si freirá una combinación de aceites y grasas, mézclelos antes de calentarlos.
- Si es posible, utilice un termómetro para frituras a fin de evitar que la grasa se caliente por encima del punto de humeo.
- Utilice la menor cantidad posible de grasa para rehogados o frituras profundas efectivos. Llenar la sartén con demasiada grasa podría causar derrames al agregar los alimentos.

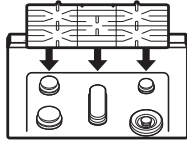
- No cocine los alimentos directamente sobre llama abierta en la placa de cocción.
- No use woks sobre los quemadores de superficie si tienen anillos de metal que se colocan sobre la rejilla del quemador para sostenerlos. Este anillo actúa como trampa de calor, lo cual puede dañar la rejilla y el cabezal del quemador. También puede hacer que el quemador no funcione correctamente. Esto puede provocar que el nivel de monóxido de carbono sea superior a los estándares actuales permitidos, lo que generaría un peligro para la salud.

⚠ PRECAUCIÓN

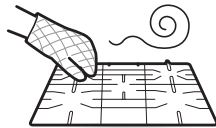
- Los alimentos para freír deben estar tan secos como sea posible. La escarcha o la humedad sobre los alimentos pueden hacer que la grasa caliente burbujee y se derrame por los costados del recipiente.
- Nunca trate de mover una sartén de grasa caliente, en especial una freidora. Espere hasta que la grasa se enfríe.
- No deje artículos de plástico sobre la placa de cocción. Se pueden derretir si se dejan muy cerca de la ventilación.
- Aleje todos los artículos plásticos de los quemadores de superficie.
- Para prevenir quemaduras, siempre asegúrese de que los controles para todos los quemadores estén en la posición **OFF** y que todas las rejillas estén frías antes de tratar de quitarlas.
- Si huele a gas, apague el gas de la estufa y llame a un técnico calificado. Nunca use una llama viva para encontrar una fuga.
- Siempre coloque las perillas en posición **OFF** antes de quitar los utensilios de la cocina.
- No levante la placa de cocción. Esto puede provocar daños y un funcionamiento inadecuado de la estufa.
- Si la estufa está ubicada cerca de una ventana, no cuelgue cortinas largas que puedan volarse sobre los quemadores de superficie y encenderse.
- Limpie la placa de cocción con cuidado. Los extremos de metal puntiagudos de los electrodos de chispa pueden producir lesiones.
- Asegúrese de que todos los quemadores estén colocados en las posiciones adecuadas.



- Asegúrese de que todas las rejillas estén colocadas en las posiciones adecuadas antes de usar los quemadores.
 - Tenga cuidado al instalar o retirar las rejillas, ya que los extremos ásperos pueden causar arañazos en la superficie de la placa de cocción.



- Asegúrese de que los quemadores y las rejillas estén fríos antes de tocarlos o de colocar una agarradera, un paño de limpieza u otros materiales sobre ellos.

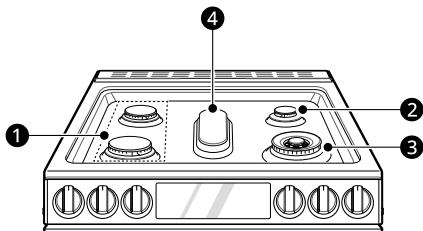


NOTA

- Los encendedores con chispa eléctrica de los quemadores hacen un sonido de clic. Todos los encendedores de chispa de la placa de cocción se activarán cuando se encienda solo un quemador.

Ubicaciones de los quemadores

La placa de cocción de su estufa de gas tiene cuatro o cinco quemadores a gas sellados, según el modelo. Los cabezales y las tapas se pueden ensamblar y quitar para limpiar. Siga la guía a continuación.



1 Quemadores mediano y grande

Los quemadores mediano y grande son los principales para la mayoría de las cocciones. Estos quemadores para fines generales se pueden regular de **Hi** a **Lo** para adaptarse a una amplia variedad de necesidades culinarias.

2 Quemador pequeño

El quemador más pequeño se utiliza para alimentos delicados como salsas o los que requieren calor bajo durante un período prolongado de tiempo de cocción.

3 Quemador doble (LSGL6337*, LTGL6937*, LSDL6336*)

Quemador extra grande (LSGL6335*)

El quemador doble es el quemador de máxima salida. Al igual que los otros cuatro quemadores, se puede regular de **Hi** a **Lo** para adaptarse a una amplia gama de aplicaciones culinarias. Este quemador también está diseñado para hacer hervir grandes cantidades de líquido. Se puede usar con utensilios de cocina de 10 pulgadas o más de diámetro.

4 Quemador ovalado

El quemador central ovalado se utiliza para cocinar con parrilla u ollas ovaladas.

Uso de los quemadores de gas de superficie

⚠ PRECAUCIÓN

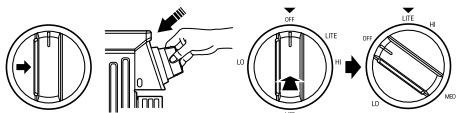
- Haga coincidir el tamaño del elemento o quemador de la placa de cocción con el tamaño del utensilio en uso. El uso un elemento grande para una olla pequeña desperdicia energía térmica, y la superficie expuesta del elemento constituye un riesgo de quemadura o incendio.
- Limpie las perillas regularmente. La suciedad u objetos extraños en las perillas podrían interferir con el funcionamiento del botón.
- No aplique fuerza excesiva al utilizar los botones y las funciones de bloqueo, ya que podrían dañarse.
- Las superficies de las perillas podrían estar calientes luego de la cocción. Deje que las perillas se enfríen lo suficiente o póngase un guante de cocina previo a tocarlas.
- Los botones deben estar ajustados correctamente para garantizar las funciones previstas de las perillas.

NOTA

- Si va a remover y reensamblar la perilla, mantenga pulsado el botón lateral mientras presiona la perilla completamente sobre el eje.

34 FUNCIONAMIENTO

- 1 Asegúrese de que todos los quemadores de superficie y las rejillas estén colocados en las posiciones adecuadas.
- 2 Coloque el utensilio de cocina sobre la rejilla.
- 3 Presione el botón lateral de la perilla.
- 4 Empuje la perilla de control y gire hacia la posición **Lite** para encender el quemador.



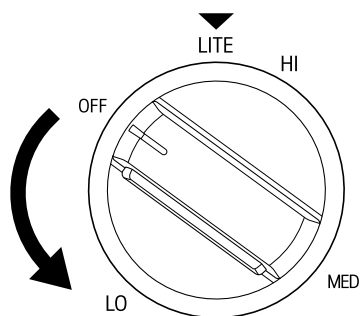
NOTA

- El sistema de encendido por chispa eléctrica hace un clic.
- La perilla de modo del horno no tiene botón.
- Para utilizar las perillas de la placa de cocción sin presionar el botón lateral, utilice la función de bloqueo de botón.

- 5 Gire la perilla de control para regular el tamaño de llama.

⚠ PRECAUCIÓN

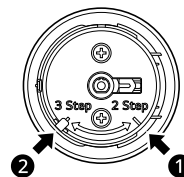
- No intente desensamblar o limpiar alrededor de un quemador mientras otro esté encendido. Todos los encendedores de chispa de la placa de cocción se activarán cuando se encienda solo un quemador. Una descarga eléctrica podría hacerlo volcar una olla caliente.



Uso del Bloqueo de Perillas

Puede ajustar el bloqueo de perilla en cada perilla de la placa de cocción para que no tenga que presionar el botón para utilizar la perilla. Retire y ajuste una perilla a la vez.

- 1 Asegúrese de que la perilla está en la posición **OFF** y tire de ella hacia afuera de su eje.
- 2 En la parte posterior del anillo de la perilla, gire la pestaña negra a la posición de **2 Step** o **3 Step**.
 - Si desliza la lengüeta a la posición **2 Step** ①, la perilla se puede usar sin presionar el botón.
 - Si desliza la lengüeta a la posición **3 Step** ②, debe presionar el botón para usar la perilla.



- 3 Una vez que el bloqueo de la perilla esté ajustado como desee, vuelva a instalar la perilla. Para reinstalar, sostenga la perilla con la etiqueta **OFF** en la parte superior y deslice la perilla directamente sobre su eje.

NOTA

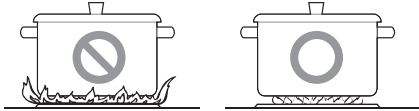
- La lengüeta negra debe estar alineada con la marca **2 Step** o **3 Step** para garantizar el funcionamiento adecuado de la perilla y del botón.

Ajuste del tamaño de la llama

Mire la llama, y no la perilla, mientras reduce el calor. Haga coincidir el tamaño de la llama con la olla que usará para calentar más rápido.

⚠ PRECAUCIÓN

- Nunca permita que las llamas se extiendan hacia arriba sobre los costados de la olla.

**NOTA**

- Las llamas de los quemadores de superficie pueden volverse amarillas si hay un alto grado de humedad; por ejemplo, si el día es lluvioso o si hay un humidificador cerca.
- Después de la conversión a gas LP, las llamas pueden ser más grandes de lo normal cuando coloque una olla en la superficie del quemador.

Uso de los utensilios de cocina adecuados

- Aluminio
 - Se recomienda el uso de utensilios de cocina de peso medio porque se calientan más rápido y de manera uniforme. La mayoría de los alimentos se doran uniformemente en una sartén de aluminio. Use ollas con tapas que ajusten bien cuando cocine con cantidades mínimas de agua.
- Hierro fundido
 - Si se calienta lentamente, la mayoría de las sartenes darán resultados satisfactorios.
- Acero inoxidable
 - Este metal por sí solo tiene propiedades de calentamiento deficientes y, en general, se combina con cobre, aluminio u otros metales para mejorar la distribución de calor. Las sartenes de combinación de metales funcionan bien si se usan con calor medio según recomienda el fabricante.
- Utensilios de cocina esmaltados
 - En ciertas condiciones, el esmalte de los utensilios de cocina podría derretirse. Siga las recomendaciones del fabricante de los utensilios de cocina para conocer los mejores métodos de cocción.
- Vidrio
 - Existen dos tipos de utensilios de cocina de vidrio: para usar en el horno y en la superficie de la estufa.

- Vitrocerámica refractaria

- Se puede usar para cocinar en la superficie o en el horno. Conduce el calor lentamente y se enfría del mismo modo. Verifique las instrucciones del fabricante de los utensilios de cocina para asegurarse de que puedan usarse con las estufas de gas.

NOTA

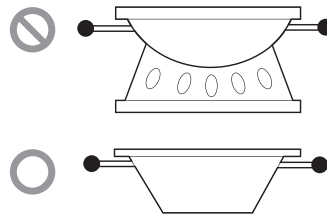
- Haga coincidir el tamaño de los utensilios de cocina con la cantidad de comida que cocine para ahorrar energía al calentar. Calentar 1/2 litro de agua requiere más energía en una olla de 3 cuartos que en una de 1 cuarto.

Uso de un wok

Si utiliza un wok, use uno de 14 pulgadas o menos con fondo plano. Asegúrese de que la base del wok quede nivelada sobre la rejilla.

⚠ PRECAUCIÓN

- No utilice un anillo de soporte para el wok. Si coloca el anillo sobre el quemador o la rejilla, el quemador podría funcionar mal, lo que generaría niveles de monóxido de carbono superiores a los estándares permitidos. Esto puede ser riesgoso para su salud.

**Uso de la rejilla para wok**

Utilice la rejilla para wok incluida para sostener un wok de 12" a 14" con base redondeada.

⚠ PRECAUCIÓN

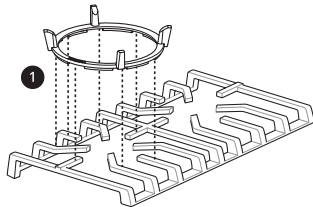
- Apague todos los quemadores y deje que las rejillas para wok y de los quemadores, y la superficie de cocción se enfríen antes de instalar o quitar la rejilla para wok.
- La rejilla para wok se mantiene caliente durante mucho tiempo. Use siempre un guante para horno al instalar o retirar la rejilla para wok. No guarde la rejilla para wok sobre la rejilla del quemador.

36 FUNCIONAMIENTO

⚠ PRECAUCIÓN

- No use recipientes de base plana o woks de tamaño incorrecto sobre la rejilla para wok. El recipiente o el wok podrían inclinarse y causar lesiones personales.
- No utilice un wok de más de 14" sobre la rejilla para wok. De lo contrario, las llamas del quemador pueden propagarse de forma excesiva y dañar la superficie de cocción.

- 1 Apague todos los quemadores y deje que las rejillas y la superficie de cocción se enfríen antes de instalar o quitar la rejilla para wok.
- 2 Si es necesario, quite la parrilla. No quite las rejillas estándares de los quemadores.
- 3 Coloque la rejilla para wok sobre la rejilla del quemador frontal izquierdo o derecho, alineando las ranuras de la rejilla para wok con los dedos de la rejilla del quemador.
 - Asegúrese de que el lateral identificado como **FRONT** (FRENTE) esté orientado hacia el frente.



1 Frente

NOTA

- Asegúrese de que la rejilla para wok esté estable y el wok se apoye firmemente sobre ella.
- No utilice un wok de un tamaño incorrecto que no se apoye de forma segura sobre la rejilla para wok.
- La rejilla para wok y la parrilla no se pueden utilizar de forma simultánea.
- Para un mejor rendimiento, coloque la rejilla para wok sobre el quemador frontal derecho de tamaño extra grande.
- No utilice la rejilla para wok con otros recipientes que no sean woks.
- Limpie la rejilla para wok con agua jabonosa caliente. No utilice limpiadores para horno, lana

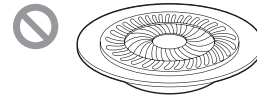
de acero ni limpiadores abrasivos. No limpie con el modo de autolimpieza.

Uso de las rejillas en superficie

No coloque rejillas sobre el quemador.

⚠ PRECAUCIÓN

- No use rejillas sobre los quemadores de superficie. Si usa una rejilla sobre el quemador de superficie, la combustión sería incompleta, lo que generaría niveles de monóxido de carbono superiores a los estándares permitidos. Esto puede ser riesgoso para su salud.



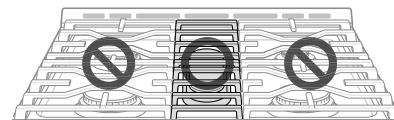
Uso de la parrilla

Esta característica solo está disponible en algunos modelos.

La parrilla recubierta antiadherente brinda una superficie de cocción extragrande para carnes, panqueques u otros alimentos que, en general, se preparan en sartén de freír.

⚠ PRECAUCIÓN

- Evite cocinar alimentos demasiado grasos, ya que podría producirse un derrame de grasa.
- La parrilla puede calentarse cuando los quemadores circundantes están en uso.
- No sobrecaliente la parrilla. Esto puede dañar el revestimiento antiadherente.
- No use utensilios metálicos que puedan dañar la superficie. No utilice la parrilla como tabla para cortar.
- No coloque ni almacene objetos en la parrilla.



NOTA

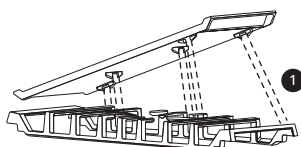
- Es normal que la parrilla se decolore con el tiempo.

Cómo colocar la parrilla

La parrilla solo puede usarse con el quemador central. La parrilla se debe ubicar correctamente en la rejilla central, como se muestra.

⚠ PRECAUCIÓN

- No retire la rejilla central cuando use la parrilla.
- No retire la placa de la parrilla hasta que las rejillas, las superficies y la placa de la parrilla estén totalmente frías.
- La placa de la parrilla puede calentarse mucho al usar la placa de cocción, el horno o los sistemas para asar. Use siempre guantes para horno al colocar o retirar la placa de la parrilla.



1 Frente

Guía de precalentamiento

Precaliente la parrilla según la guía a continuación y ajuste para lograr la configuración deseada.

- Tipo de alimentos: calentar tortillas
 - Ajuste de cocción: 5 (MED)
- Tipo de alimentos: panqueques
 - Condiciones de precalentamiento: HI (ALTO) 5 min.
 - Ajuste de cocción: HI (ALTO)
- Tipo de alimentos: hamburguesas
 - Condiciones de precalentamiento: HI (ALTO) 5 min.
 - Ajuste de cocción: HI (ALTO)
- Tipo de alimentos: huevos fritos
 - Condiciones de precalentamiento: HI (ALTO) 5 min.
 - Ajuste de cocción: HI (ALTO)
- Tipo de alimentos: Tocino
 - Condiciones de precalentamiento: HI (ALTO) 5 min.
 - Ajuste de cocción: HI (ALTO)
- Tipo de alimentos: salchichas para el desayuno
 - Condiciones de precalentamiento: HI (ALTO) 5 min.
 - Ajuste de cocción: HI (ALTO)

- Tipo de alimentos: sándwiches calientes
 - Condiciones de precalentamiento: HI (ALTO) 5 min.
 - Ajuste de cocción: HI (ALTO)

NOTA

- Después de utilizar la parrilla durante un tiempo prolongado, ajuste la configuración de la temperatura de parrilla como el calor retenido en la parrilla.

En caso de corte de energía eléctrica

En caso de corte de energía eléctrica, puede encender los quemadores de gas de superficie de su estufa con un cerillo.

Los quemadores de superficie que estaban en uso al producirse el apagón seguirán funcionando normalmente.

⚠ PRECAUCIÓN

- Tenga mucho cuidado al encender los quemadores con un cerillo. Esto puede causar quemaduras u otros daños.

- 1 Sostenga una cerilla encendida cerca del quemador, y luego empuje la perilla.
- 2 Gire la perilla de control hasta llegar a la posición **Lo**.

Horno

Antes de usar el horno

Lea todas las instrucciones antes de usar.

⚠ PRECAUCIÓN

- Para evitar que se decolore con el uso, siga los consejos en la sección de Mantenimiento.
- Qué hacer si huele gas
 - Abra las ventanas.
 - No intente encender ningún aparato.
 - No toque ningún interruptor eléctrico.
 - No use ningún teléfono en su edificio.

38 FUNCIONAMIENTO

⚠ PRECAUCIÓN

- Llame a su compañía de gas inmediatamente desde el teléfono de un vecino. Siga las instrucciones de la compañía de gas.
- Si no puede comunicarse con su compañía de gas, llame al departamento de bomberos.
- No deje artículos de plástico o inflamables sobre la placa de cocción. Se pueden derretir o encender si se dejan muy cerca de la ventilación.
- No coloque recipientes cerrados sobre la placa de cocción. Podría aumentar la presión en los recipientes cerrados y hacerlos explotar.
- Los objetos metálicos se calentarán demasiado si los deja sobre la estufa y podrían causar quemaduras.
- Las manijas de las ollas y sartenes sobre la placa de cocción podrían calentarse si se dejan muy cerca de la ventilación.

- Evite abrir la puerta del horno más de lo necesario durante el uso. Esto ayuda a que el horno mantenga la temperatura, evita la pérdida innecesaria de calor y ahorra el consumo de energía.
- Asegúrese de que el cable de alimentación y la válvula de gas estén conectados correctamente.
- Confirme el uso correcto de la estufa para el tipo de alimento que desee cocinar.
 - Asegúrese de saber cómo usar el horno (configuración de temperatura, configuración de tiempo y receta) para mejores resultados.

NOTA

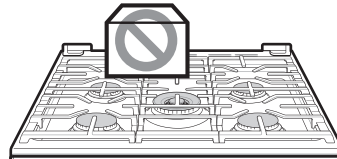
- Si usa un termómetro en la cavidad del horno, las temperaturas podrían diferir de la temperatura del horno configurada con todos los modos.

- En caso de corte de energía, no utilice el horno.

⚠ PRECAUCIÓN

- No intente hacer funcionar el encendido eléctrico durante un corte de energía eléctrica.
 - El horno y el asador no se pueden usar durante un corte de energía. Si el horno está en uso cuando se produce el corte, el quemador del horno se cierra y no puede volver a encenderse hasta que se restablezca la electricidad. Cuando vuelva la energía, deberá reiniciar el horno (o la función Asar).

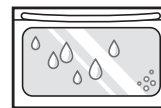
- No bloquee, toque ni coloque elementos alrededor de la ventilación del horno durante la cocción.
 - Su horno se ventila a través de conductos en el centro sobre el quemador. No bloquee la ventilación del horno cuando cocine para permitir un flujo de aire adecuado. No toque las aberturas de ventilación ni las superficies cercanas durante cualquier operación de cocina.



- No cubra las rejillas ni el fondo del horno con papel de aluminio.



- Podría notar condensación en el vidrio de la puerta del horno.
 - A medida que el horno se calienta, el aire caliente del horno puede hacer que aparezca condensación en el vidrio de la puerta del horno. Estas gotas de agua son inofensivas y se evaporarán a medida que el horno siga calentándose.

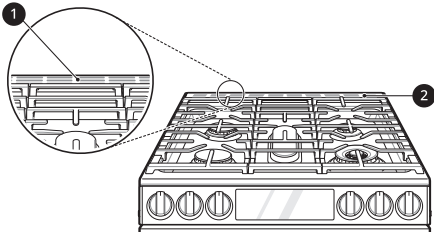


Ventilación del horno

Las áreas cercanas a la ventilación podrían calentarse durante el funcionamiento y causar quemaduras. No bloquee la abertura de ventilación. Evite colocar plásticos cerca de la ventilación, ya que el calor podría deformar o derretir el plástico.

Es normal que una luz amarilla sea visible mientras el horno está en funcionamiento. También es

posible que vea vapor cuando cocine alimentos con un alto contenido de agua.



- 1 Ventilación del horno
- 2 Moldura de ventilación

⚠ PRECAUCIÓN

- Los bordes de la ventilación de la estufa son filosos. Para evitar sufrir lesiones, use guantes cuando limpie la estufa.
- No bloquee, toque ni coloque elementos alrededor de la ventilación del horno durante la cocción.
 - No bloquee la ventilación del horno cuando cocine para permitir un flujo de aire adecuado. No toque las aberturas de ventilación ni las superficies cercanas durante cualquier operación de cocina.

Uso de los estantes del horno

Los estantes tienen un borde posterior hacia arriba que evita que salgan de la cavidad del horno.

⚠ PRECAUCIÓN

- Reemplace los estantes del horno antes de encender el horno para evitar quemaduras.
- No cubra los estantes con papel de aluminio o cualquier otro material, ni coloque nada sobre la parte inferior del horno. Si lo hace, podría generar un proceso de horneado deficiente y dañar la base del horno.
- Acomode los estantes del horno solo cuando el horno esté frío.
- No coloque objetos que pesen más de 33 lb (15 kg) sobre los estantes. No coloque objetos pesados en las esquinas de los estantes. De lo contrario, podrían dañarse.

Extracción de los estantes

- 1 Tire del estante hacia afuera hasta que se detenga.

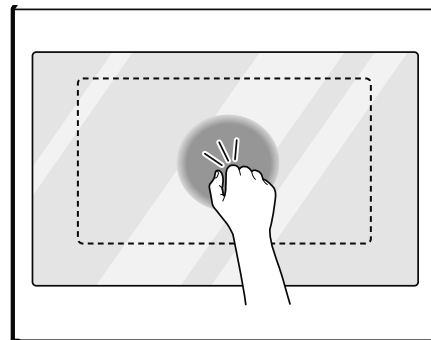
- 2 Levante el frente del estante y tire de él hacia afuera.

Reemplazo de los estantes

- 1 Coloque el extremo del estante sobre el soporte.
- 2 Incline el extremo frontal hacia arriba y empuje el estante hacia adentro.

InstaView

Golpee suavemente dos veces el centro del panel de vidrio para revelar el contenido del horno sin abrir la puerta.



⚠ PRECAUCIÓN

- No golpee el panel de la puerta de vidrio con una fuerza desmedida. No se debe golpear el panel de la puerta de vidrio con objetos duros, como utensilios de cocina o botellas de vidrio. El vidrio podría romperse y provocar riesgo de lesiones personales.

NOTA

- Golpee suavemente dos veces el panel de vidrio para encender o apagar la luz en el interior.
- La luz se apaga automáticamente luego de 90 segundos.
- La función InstaView está deshabilitada cuando la puerta del horno está abierta y durante un segundo después de cerrarla.
- La función InstaView está deshabilitada durante Self Clean, Bloqueo de Control/Bloqueo y la entrada de potencia inicial (solo en algunos modelos).
- Tocar los bordes del panel de vidrio no activa la función InstaView.

40 FUNCIONAMIENTO

NOTA

- Los golpes en el panel de vidrio deben ser lo suficientemente fuertes para que se oigan.
- Los ruidos fuertes cerca del horno pueden activar la función InstaView.

Bake (Hornear)

La función Hornear se utiliza para preparar alimentos como pasteles, panes y estofados.

Es posible programar el horno para hornear a cualquier temperatura entre 170 °F (80 °C) y 550 °F (285 °C). La temperatura predeterminada es 350 °F (175 °C).

Configuración de la función Hornear (Por ejemplo, hornear a 375 °F).

- 1 Gire la perilla de modo del horno para seleccionar **Bake**.
- 2 Ajuste la temperatura del horno: presione los botones **3**, **7** y **5**.
- 3 Presione **START**. El horno comienza a precalentar.

NOTA

- A medida que el horno se precalienta, aparece la temperatura en pantalla y aumenta en incrementos de 5 grados. Una vez que el horno alcanza la temperatura configurada, suena un tono, y la luz del horno se enciende y se apaga.

- 4 Cuando termine de cocinar, gire la perilla de modo del horno a la posición **OFF**.
- 5 Retire los alimentos del horno.

NOTA

- Es normal que el ventilador de convección funcione periódicamente durante un ciclo normal de horneado. Esto sucede para asegurar resultados uniformes de horneado.

Consejos de horneado

- El tiempo y la temperatura de horneado variarán según las características, el tamaño y la forma de la bandeja para hornear que se utilice.
- Compruebe que los alimentos estén cocidos en el tiempo mínimo de preparación.
- Utilice recipientes para horneado de metal (con o sin acabado antiadherente), vitrocerámica resistente al calor, cerámica u otros recipientes para horneado recomendados para horno.
- Las bandejas de metal oscuro o los revestimientos antiadherentes cocinarán los alimentos más rápido y se dorarán más. Los recipientes para hornear aislados extenderán levemente el tiempo de cocción de la mayoría de los alimentos.
- La base del horno tiene un acabado de esmalte de porcelana. Para facilitar la limpieza, proteja el fondo del horno de derrames excesivos colocando una bandeja para hornear galletas debajo del estante en el que está cocinando. Esto es particularmente importante cuando se hornea un pastel de frutas u otros alimentos con un alto contenido de ácido. Los rellenos de frutas calientes u otros alimentos que son muy ácidos pueden causar salpicaduras y dañar la superficie de esmalte de porcelana, y deben limpiarse de inmediato.

Piedra y pala para pizza (Solo modelo LSGL6337*)

Una piedra para pizza retiene el calor y lo distribuye de manera más uniforme que una bandeja de metal. La superficie extra caliente es ideal para crear una base crujiente en pizzas de masa fina. Use una pala para pizza para poder colocar y quitar la pizza de la piedra para pizza caliente.

⚠ PRECAUCIÓN

- No use la pala como utensilio de cocina en el horno.
- La piedra para pizza se calienta mucho y retiene el calor durante mucho tiempo. Déjela enfriar en el horno antes de manipularla.
- Para evitar quemaduras, use guantes para horno cuando mueva la piedra para pizza o use la piedra para pizza y la pala.
- No vierta agua sobre una piedra para pizza caliente ni someta la piedra a golpes fuertes. La piedra podría romperse y provocar lesiones.
- No use limpiadores fuertes ni almohadillas abrasivas para limpiar la piedra y la pala para pizza. Podrían dañar la superficie o el revestimiento.

- Use solo agua para limpiar la piedra y la pala pizza.

NOTA

- Si está cocinando varias pizzas, es posible que las pizzas posteriores se cocinen más rápido.
- Coloque la piedra para pizza en el horno antes de precalentar el horno. Deje que la piedra se precaliente de 15 a 30 minutos antes de cocinar la pizza.
- Ajuste la posición de la rejilla del horno antes de colocar la piedra para pizza en el horno para obtener una masa más o menos crujiente.
- No se recomienda utilizar la piedra para pizza con pizzas congeladas, ya que el choque térmico podría dañar la piedra para pizza.

Modo de convección

El sistema de convección usa un ventilador para hacer circular el calor de manera uniforme dentro del horno. Esto mejora la distribución del calor y permite una cocción uniforme y excelentes resultados mientras se cocina con un solo estante o con varios.

Configuración de la función Cocción por Convección

(Por ejemplo, cocinar a 375 °F).

- 1 Gire la perilla de modo del horno para seleccionar **Conv. Bake** o **Conv. Roast**. En la pantalla aparece 350 °F.
- 2 Ajuste la temperatura del horno: presione los botones **3**, **7** y **5**.
- 3 Presione **START**. La pantalla muestra **Conv. Bake** o **Conv. Roast** y la temperatura convertida comienza en 100 °F.
 - A medida que el horno se precalienta, se muestran incrementos de temperatura cada 5 grados. Una vez que el horno alcanza la temperatura deseada, suena un tono y la luz del horno se enciende y apaga. La pantalla muestra la temperatura del horno convertida automáticamente a 350 °F y el ícono de ventilador.

- 4 Cuando termine de cocinar o para cancelar el procedimiento, gire la perilla de modo del horno a la posición **OFF**.

NOTA

- El ventilador del horno funciona mientras se hornea por convección. Si la puerta está abierta, el ventilador se detiene. En algunos casos, el ventilador podrá detenerse durante un ciclo de horneado por convección.

Consejos para el horneado por convección

- Utilice el horneado por convección para lograr una cocción más rápida y uniforme de pasteles, galletas, muffins, bizcochos y panes de todo tipo en varios estantes.
- Hornee galletas y bizcochos en bandejas sin lados o con lados muy bajos para permitir que el aire caliente circule alrededor de la comida. Los alimentos horneados en bandejas con un acabado oscuro se cocinarán más rápido.
- Si usa el Horneado por convección, coloque los estantes del horno en las posiciones sugeridas en las tablas que se muestran en este manual.
- La cocción con varios estantes puede aumentar ligeramente los tiempos de cocción de algunos alimentos.
- Los pasteles, las galletas y los muffins tienen mejores resultados cuando se utilizan varios estantes.

Consejos para asar por convección

La función de rostizado por convección está diseñada para ofrecer resultados de rostizado óptimos. El rostizado por convección combina la cocción con el ventilador de convección para rostizar carnes y aves. El aire caliente circula alrededor de los alimentos desde todos los ángulos, y sella los jugos y los sabores. Los alimentos cocinados de esta manera quedan dorados y crocantes por fuera, y jugosos por dentro. El rostizado por convección es ideal para cortes de carne grandes y tiernos, sin cubrir.

Use una asadera y una rejilla cuando prepare carnes para asar por convección. La asadera contiene la grasa derramada, y la rejilla ayuda a prevenir las salpicaduras de grasa.

- 1 Coloque el estante del horno en la posición recomendada.
- 2 Coloque la rejilla en la asadera.

42 FUNCIONAMIENTO

3 Coloque la asadera en el estante del horno.

NOTA

- La asadera y rejilla se venden por separado.

⚠ PRECAUCIÓN

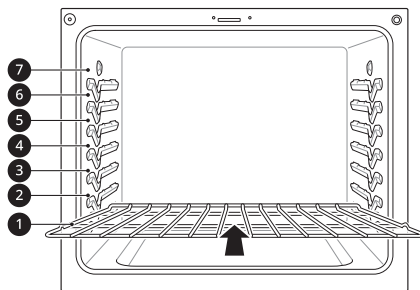
- No use una asadera sin rejilla.
- No cubra la rejilla con papel de aluminio.
- Coloque los alimentos (con la grasa hacia arriba) en la rejilla.

Guía de recomendaciones para hornear y rostizar

Los resultados del horneado serán mejores si las bandejas para hornear están centradas en el horno todo lo posible. Si cocina en varios estantes, coloque los estantes del horno en las posiciones que se muestran.

La cocción con varios estantes ahorra tiempo y energía. Siempre que sea posible, cocine los alimentos que requieran la misma temperatura de cocción juntos en un horno.

Colocación de estantes y bandejas



Horneado en varios estantes	
Estante de desplazamiento (Posición 4)	Estante resistente (Posición 1)

Horneado en un solo estante
Estante resistente

Guía para horneado en estantes

Comida	Posición del estante
Pasteles	Pasteles en capas 2
	Pasteles en savarín 3
	Pastel de ángel 3
Galletas	Galletas azucaradas 3
	Con chispas de chocolate 3
	Con chocolate y nueces 3
Pizza	Fresca 4
	Congelada 4
Masa de hojaldre	Casera 4
	Refrigerada 4
Panes	Biscochos, enlatados 5
	Biscochos, caseros 5
	Madalenas 4
Postres	Frutas azucaradas y crujientes, caseras 3
	Pasteles caseros con frutas de doble corteza 3
Cremas	Cheesecake, crème brûlée 2
Suflés	Dulces o salados 2
Cazuela	Lasaña congelada 5

Guía para rostizado en estantes

Comida		Posición del estante
Carne de res	Costilla	Poco cocidos Término medio Bien cocidas 2 2 2
	Costillas deshuesadas, solomillo superior	Poco cocidos Término medio Bien cocidas 2 2 2
	Carne de res de carne de res	Poco cocidos Término medio 2 2
Cerdo	Costilla	2
	Con hueso, solomillo	2
	Jamón, cocido	2
Aves	Pollo entero	3
	Presas de pollo	3
	Pavo	3

Broil (Asar)

La función Asar utiliza calor intenso del elemento calentador superior para cocinar los alimentos. La función Asar funciona mejor cuando se asan cortes de carne, pescado y vegetales tiernos y finos.

Algunos modelos pueden incluir un asador híbrido compuesto por un asador interior que utiliza un elemento calentador de carbón que proporciona calor instantáneo y un elemento asador exterior tradicional. Durante el funcionamiento normal del asador, cualquiera de los elementos se puede apagar de forma intermitente.

⚠ PRECAUCIÓN

- No utilice una asadera sin rejilla. El aceite puede provocar un incendio causado por grasa.
- No cubra la rejilla ni la asadera con papel de aluminio. Si lo hace, se prenderá fuego.
- Siempre use una asadera con rejilla para drenar el exceso de grasa. Esto ayuda a reducir las salpicaduras, el humo y las llamaradas ocasionales.

- Cuando use su asador, la temperatura dentro del horno será extremadamente elevada. Tenga cuidado de evitar posibles quemaduras por los siguientes motivos:

- Mantener la puerta cerrada al asar
- Siempre use guantes de cocina al insertar o quitar alimentos

NOTA

- Esta estufa está diseñada para asar con la puerta cerrada. Cierre la puerta para configurar la función Asar. Si la puerta está abierta, la función Asar no se puede configurar, y aparece la palabra "door" (puerta) en la pantalla. Cierre la puerta y restablezca la función Asar. Si la puerta se abre durante el proceso de asar, el quemador se apaga luego de cinco segundos. El quemador para asar se vuelve a encender automáticamente una vez cerrada la puerta.

Configuración del horno para asar

- 1 Gire la perilla de modo del horno para seleccionar **Broil**.
 - Presione **1** para ajustar en **Hi** o presione **2** para ajustar en **Lo**.
- 2 Presione **START**. El horno comienza a calentarse.
- 3 Si usa **Broil**, deje que el horno se precaliente durante aproximadamente cinco minutos antes de cocinar los alimentos.
- 4 Para cancelar el procedimiento en cualquier momento o cuando la cocción haya finalizado, gire la perilla de modo horno hasta la posición **OFF**.

Consejos para reducir el humo

Debido al intenso calor asociado con el asado, es normal experimentar humo durante el proceso de cocción. Este humo es un producto secundario natural del proceso de dorado y no debe preocuparlo. Si hay más humo del esperado, siga estos consejos para reducir la cantidad de humo en su horno.

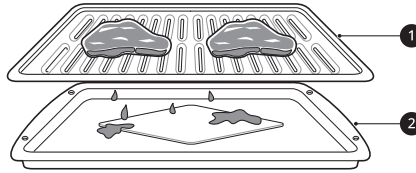
- Utilice siempre una asadera. No use sartenes o bandejas para hornear normales por razones de seguridad.

44 FUNCIONAMIENTO

- La asadera debe estar siempre limpia y a temperatura ambiente al comienzo de la cocción.
- Siempre encienda el sistema de ventilación de la placa de cocción o la campana de ventilación durante el asado.
- Mantenga el interior del horno lo más limpio posible. Los restos de comidas anteriores pueden quemarse o incendiarse.
- Evite los adobos grasos y los glaseados azucarados. Ambos aumentarán la cantidad de humo presente. Si desea utilizar un glaseado, aplíquelo al final de la cocción.
- Si experimenta demasiado humo con algún alimento, considere lo siguiente:
 - Bajar el asador a la configuración **Lo**.
 - Bajar la posición del estante para cocinar los alimentos más lejos del asador.
 - Utilice la configuración Asar **Hi** para lograr el nivel de dorado que desee y luego cambie a la configuración Asar **Lo** o cambie a la función de Horneado.
- Como regla general, los cortes de carne y pescado más grasos producirán más humo que los más magros.
- Siga las indicaciones de la sección **Guía recomendada para asar** siempre que sea posible.

Guía de recomendaciones para asar

El tamaño, peso, espesor, la temperatura inicial y su preferencia de cocción afectarán el tiempo de asado. Esta guía se basa en carnes a temperatura de refrigerador. Para obtener mejores resultados al asar, use una bandeja especial para asar.



❶ Rejilla (se vende por separado)

❷ Asadera (se vende por separado)

*: esta función es para usar con el estante de desplazamiento.

Comida	Cantidad y/o espesor	Posición del estante	Primer lado (min.)	Segundo lado (min.)	Comentarios	
Hamburguesas	9 hamburguesas 1/2 a 3/4" de espesor	7*	6-7	4-5	Espaciar de manera uniforme. Se pueden asar hasta 9 hamburguesas.	
Bistecs de carne vacuna	1" de espesor 1 a 1 1/2 lb.	Poco cocidos	6 (7*)	7	5	Los bistecs de menos de 1" de espesor se cocinan totalmente antes de dorarse. Se recomienda usar una sartén. Corte la grasa.
		Término medio	6 (7*)	12	5-6	
		Bien cocidas	6 (7*)	13	8-9	
	1 1/2" de espesor 2 a 2 1/2 lb.	Poco cocidos	4 (5*)	10	6-7	
		Término medio	4 (5*)	12-15	10-12	
		Bien cocidas	4 (5*)	25	16-18	
Tostadas	De 1 a 9 piezas	5 (6*)	1-2	1-2		
Pollo	1 entero de 2 a 2 1/2 lb, cortado a lo largo	2 (3*)	35-40	25	Ase con el lado de la piel hacia abajo.	
	2 pechugas	2 (3*)	25-30	10-15		
Colas de langostas	2-4 De 6 a 8 onzas c/u	3 (4*)	13-16	No las gire.	Corte la parte trasera del caparazón. Abra bien. Pincele con mantequilla derretida antes de asar y en la mitad de la cocción.	
Filetes de pescado	1/4 a 1/2" de espesor	5 (6*)	7-8	6		

46 FUNCIONAMIENTO

Comida	Cantidad y/o espesor	Posición del estante	Primer lado (min.)	Segundo lado (min.)	Comentarios
Fetas de jamón (precocidas)	1" de espesor	3 (4*)	10	5	
	1/2" de espesor	4 (5*)	7	4	
Chuletas de cerdo Bien cocidas	2 (1/2" de espesor)	4 (5*)	10	8	
	2 (1" de espesor) de alrededor de 1 lb.	4 (5*)	13	8-9	
Chuletas de cordero	2 (1" de espesor) de alrededor de 10 a 12 oz.	Término medio	5 (6*)	6	4-7
		Bien cocidas	5 (6*)	10	10
	2 (1 1/2" de espesor) de alrededor de 1 lb.	Término medio	5 (6*)	10	4-6
		Bien cocidas	5 (6*)	17	12-14
Tocino	1/2 libra (aproximadamente 8 fetas finas)	4 (5*)	8	3	

- Esta guía es meramente de referencia. Ajuste el tiempo de cocción según su preferencia.

NOTA

- El Departamento de Agricultura de los Estados Unidos (United States Department of Agriculture, USDA) advierte que el consumo de pescado, carne o aves crudos o poco cocidos puede aumentar el riesgo de enfermedades transmitidas por los alimentos.
- El USDA ha indicado que las siguientes constituyen temperaturas internas mínimas de seguridad para el consumo:
 - Carne molida de vaca: 160 °F (71.1 °C)
 - Aves: 165 °F (73.9 °C)
 - Carne de vaca, ternera, cerdo o cordero: 145 °F (62.8 °C)
 - Pescado/mariscos: 145 °F (62.8 °C)

Consejos para asar

• Carne de res

- Los filetes y chuletas siempre deben dejarse reposar durante cinco minutos antes de cortarlos y comerlos. Esto permite que el calor se distribuya uniformemente a través de la comida y crea un resultado más tierno y jugoso.
- Los trozos de carne que tengan más de dos pulgadas de espesor deben sacarse del refrigerador 30 minutos antes de cocinarlos. Esto permitirá cocinar de manera más rápida y uniforme, y producirá menos humo al asar. Los tiempos de cocción probablemente serán más cortos que los tiempos indicados en la Tabla para asar.
- En el caso de los bistecs con hueso o las chuletas deshuesadas (que se les quitó toda la carne alrededor del hueso), envuelva las secciones expuestas del hueso en papel de aluminio para reducir el quemado.

• Mariscos

- Al asar pescado con piel, utilice siempre la configuración de Asar y ase siempre por último el lado de la piel.

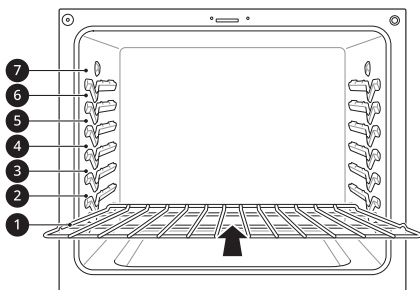
- Es mejor consumir mariscos inmediatamente después de cocinarlos. Dejar reposar los mariscos después de cocinarlos puede hacer que los alimentos se sequen.
 - Es una buena idea frotar una capa fina de aceite en la superficie de la asadera antes de cocinar para evitar que se pegue, especialmente con pescados y mariscos. También puede usar una capa ligera de aerosol antiadherente para sartenes.
- **Vegetales**
- Mezcle las verduras ligeramente en aceite antes de cocinarlas para mejorar el dorado.

Proof (Leudar)

Esta función mantiene el horno caliente para leudar los productos con levadura antes de hornear. (Configure la temperatura a 92 °F)

Configuración de la función Leudar

- 1 Use el estante en la posición ② o ③ para realizar el leudado.



- 2 Gire la perilla de modo del horno para seleccionar el modo **Proof/Warm** hasta que aparezca **Proof** en la pantalla.
- 3 Presione **1** para ajustar en Proof(Leudar).
- 4 Presione **START**.
- 5 Una vez que el leudado haya finalizado, gire la perilla de modo del horno hasta la posición **OFF**.

NOTA

- Para evitar que baje la temperatura del horno y que se prolongue el tiempo de leudado, no abra la puerta del horno si no es necesario. Revise los alimentos panificados con tiempo para evitar un leudado excesivo.
- No use el modo de leudado para calentar comida ni para mantener calientes los alimentos. La temperatura del horno para el leudado no es lo suficientemente alta para

mantener alimentos a temperaturas seguras. Use la función Calentar para mantener calientes los alimentos. La función Leudar no funciona si la temperatura es inferior a 125 °F. La pantalla mostrará la palabra **Hot**.

- Es normal que el ventilador funcione durante la función Leudar.

Warm (Calentar)

Esta función mantiene una temperatura del horno de 170 °F y conservará caliente la comida cocida para que pueda servirla hasta 3 horas después de realizada la cocción. La función Calentar puede utilizarse sin ninguna otra operación de cocción o se puede usar después de que la cocción haya terminado con las funciones de Cocción programada o Cocción programada retrasada.

Configuración de la función Calentar

- 1 Gire la perilla de modo del horno para seleccionar el modo **Proof/Warm** hasta que aparezca **Proof** en la pantalla.
- 2 Presione **2** para ajustar en **Warm**.
- 3 Presione **START**.
- 4 Para cancelar la función Calentar durante el uso, gire la perilla de modo del horno a la posición **OFF**.

NOTA

- La función Calentar está diseñada para mantener calientes los alimentos. No la use para bajar la temperatura de los alimentos.
- Es normal que el ventilador funcione durante la función Calentar.

48 FUNCIONAMIENTO

NOTA

- La función Calentar se mantendrá hasta 3 horas, salvo que gire la perilla de modo del horno a la posición **OFF**.

Keep Warm (Mantener caliente)

Esta función mantiene una temperatura del horno de 170 °F. La función Mantener caliente mantendrá caliente la comida cocida para servir hasta 3 horas después de realizada la cocción. La función Mantener caliente puede utilizarse con cualquier otra operación de cocción. La función Mantener caliente se puede usar después de que la cocción haya terminado con las funciones de cocción programada o cocción programada retrasada.

Configuración de la función Mantener caliente después de una cocción programada

- 1 Seleccione el modo de cocción **Bake** (Hornear), **Conv. Bake** (Horneado por convección), **Conv. Roast** (Rostizado por convección), **Air Fry** (Freír con aire) o **Frozen Meal** (Comida congelada).
- 2 Ajuste la temperatura.
- 3 Presione **Cook Time** e introduzca el tiempo de cocción utilizando los botones numéricos.
- 4 Presione **Keep Warm**. Presione **START**.
- 5 Para cancelar la función Mantener caliente durante el uso, gire la perilla de modo del horno a la posición **OFF** en cualquier momento.

NOTA

- También puede activar la función Mantener caliente mientras opera algunos modos de cocción.
- La función Mantener caliente se mantendrá hasta 3 horas, salvo que gire la perilla de modo del horno a la posición **OFF**.

Air Fry (Freír con aire)

Esta función aumenta automáticamente la temperatura ingresada a 50 °F para un rendimiento óptimo cuando se usa Freír con aire.

La función Freír con aire está especialmente diseñada para freír sin aceite.

Configuración de la función Freír con aire

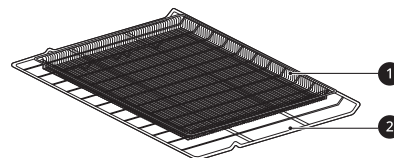
- 1 Gire la perilla de modo del horno para seleccionar el modo **Air Fry** 400 °F aparece en la pantalla.
- 2 Ajuste la temperatura del horno. (Rango: de 300 °F a 550 °F)
- 3 Presione **START**.
- 4 Cuando termine de cocinar, gire la perilla de modo del horno a la posición **OFF**.

NOTA

- Cuando se usa el modo Freír con aire, no se requiere precalentamiento.
- Si cocina varias tandas de comidas, las últimas tandas pueden tardar menos en cocinarse.
- Los batidos y recubrimientos húmedos no se doran ni se endurecen cuando se usa el modo Freír con aire.

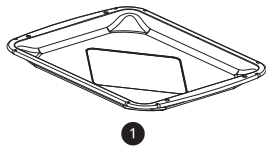
Consejos para Air Fry (Freír con aire)

- Para obtener mejores resultados, utilice el estante para Air Fry.
 - La bandeja para freír con aire se puede limpiar en lavavajillas.



- 1 Bandeja para freír con aire
- 2 Estante resistente

- Si no tiene esta bandeja, coloque los alimentos sobre un estante dentro de una asadera forrada con papel de aluminio.



- ① Asadera (se vende por separado)
- Para obtener mejores resultados, cocine los alimentos en un solo estante colocado en las posiciones sugeridas en la tabla en este manual.
- Distribuya los alimentos de manera uniforme en una sola capa.
- Use la bandeja para freír con aire proporcionada o una bandeja para hornear oscura sin lados o con lados bajos que no cubra todo el estante. Esto permite una mejor circulación del aire.
- Si lo desea, rocíe con aerosol para sartenes la bandeja para hornear o la bandeja para freír con aire. Use un aceite que se pueda calentar a una temperatura elevada antes de provocar humo; como por ejemplo, aceite de aguacate, semillas de uva, maní o girasol.
- Coloque una bandeja para hornear forrada con papel de aluminio en un estante en la posición 1 para atrapar el aceite que caiga de los alimentos. Para alimentos con alto contenido de grasa, como las alitas de pollo, agregue algunas hojas de papel de horno para absorber la grasa.
- Controle los alimentos con frecuencia y agítelos o gírelos para obtener resultados más crujientes.
- Con el modo Freír con aire, los alimentos congelados preparados pueden cocinarse más rápido de lo que se indica en el paquete. Reduzca el tiempo de cocción en aproximadamente un 20 %, verifique los alimentos con anticipación y ajuste el tiempo de cocción según sea necesario.
- Use un termómetro para alimentos si desea asegurarse de que hayan alcanzado una temperatura adecuada para el consumo. Comer carnes mal cocidas puede aumentar el riesgo de enfermedades transmitidas por los alimentos.
- Para obtener resultados más crujientes, reboce las alitas de pollo frescas o los filetes en harina sazónada. Use 1/3 taza de harina cada 2 libras de pollo.

Recomendaciones para freír alimentos con alto contenido de grasa

Los alimentos con alto contenido de grasa se ahumarán cuando se use el modo Freír con aire. Para obtener mejores resultados, siga estas recomendaciones al freír alimentos con alto contenido de grasa, como alitas de pollo, tocino, salchichas, muslos de pavo, chuletas de cordero, costillas, lomo de cerdo, pechugas de pato o algunas proteínas de origen vegetal.

⚠ PRECAUCIÓN

- Nunca cubra ranuras, orificios o pasajes en la base del horno ni cubra todos los estantes con materiales como papel de aluminio. Si lo hace, bloqueará el flujo de aire a través del horno y puede provocar una intoxicación por monóxido de carbono. El papel de aluminio también puede atrapar el calor y provocar riesgo de incendio o un rendimiento deficiente del horno.
- Limpie los filtros de grasa de la campana extractora con regularidad.
- Encienda la campana extractora en una configuración de ventilador alta antes de iniciar el modo Freír con aire, y déjela encendida durante 15 minutos después de que haya terminado.
- En lo posible, abra una ventana o una puerta para asegurarse de que la cocina esté bien ventilada.
- Mantenga el horno libre de grasa acumulada. Limpie el interior del horno antes y después de freír con aire (una vez que el horno se haya enfriado).
- Ejecute ciclos de limpieza del horno (Easy Clean o SelfClean) con regularidad, según la frecuencia y el tipo de alimentos que cocina con Freír con aire.
- Evite abrir la puerta del horno más de lo necesario para ayudar a mantener la temperatura del horno, evitar la pérdida de calor y ahorrar energía.
- Freír con aire piezas de pollo frescas, como alitas o muslos, sin piel, puede producir humo ya que la grasa se derrite a altas temperaturas. Si el humo es excesivo, use el modo de asado por convección en lugar del modo Freír con aire.

Guía para freír con aire recomendada

- Disponga los alimentos de manera uniforme en una sola capa.

50 FUNCIONAMIENTO

- Coloque una bandeja para hornear forrada con papel de aluminio en un estante en la posición 1 para que caigan las gotas. Si es necesario, agregue papel de horno para absorber el aceite y reducir el humo.
- Dé vuelta los alimentos durante la cocción para evitar que se quemen.

† Los alimentos con mucha grasa pueden producir más humo si se los cocina con la función Air Fry (Freír con aire). Para reducir el humo, cocine con el modo de Rostizado por convección.

Puntos recomendados	Cantidad (onzas)	Temp. (°F)	Posición del estante	Hora	Guía
PAPAS congeladas					
Papas fritas congeladas (Shoestring)	20	425	3	15-25	
Papas fritas congeladas (corte ondulado, 3/8" o 10 mm)	35	425	3	15-25	
Batatas fritas congeladas	25	425	3	15-30	
Tater Tots congeladas	50	450	3	20-30	
Hash Browns congeladas	40	450	3	25-35	
PAPAS frescas/caseras					
Papas fritas caseras (3/8" x 3/8" o 10 x 10 mm)	25	450	3	25-35	Corte las papas y sumérgalas durante 30 minutos en agua caliente del grifo. Escorra y seque. Pinte o rocíe ligeramente con 3 cucharadas de aceite. Agregue sal y pimienta a gusto.
Gajos de papas caseras	60	450	3	35-45	
POLLO congelado					
Nuggets crocantes de pollo congeladas	30	400	3	15-25	
Tiras de pollo congeladas	35	425	3	25-35	
Alitas de pollo congeladas	50	425	3	25-35	
POLLO fresco con piel					
Alitas de pollo frescas [†]	40	450	3	25-35	Pinte o rocíe ligeramente con 1 cucharadas de aceite. Agregue sal y pimienta a gusto.
Patitas de pollo frescas [†]	70	450	3	30-40	
Muslos	40	450	3	30-35	
Pechugas	40	450	3	30-35	
OTRAS					
Aros de cebolla empanados congelados	20	400	3	20-30	
Rollos primavera congelados (0.7 onzas c/u)	45	425	3	25-35	

Puntos recomendados	Cantidad (onzas)	Temp. (°F)	Posición del estante	Hora	Guía
Salchichas†(2.5 onzas c/u, 0.8" de diámetro)	90	400	3	25-35	
Camarones con coco congelados	25	425	3	20-30	Pinte o rocíe con aceite la superficie del alimento.
Ostiones frescos en su media concha (35 onzas)	35	425	3	20-30	Derrita 4 cucharadas de manteca y pinte los ostiones. Mezcle 1/2 taza de pan rallado, 1 cucharada de ajo picado, 1/4 de tasa de queso parmesano rallado y condimente a gusto. Esparza la mezcla sobre los ostiones.
Camarones frescos	50	425	3	20-30	
Vegetales mixtos	35	425	3	20-30	Pinte o rocíe ligeramente con 4 cucharadas de aceite de oliva. Agregue sal y pimienta a gusto.

ESPAÑOL

Air Sous-Vide (Cocción al vacío por flujo de aire) (Modelo LSGL6337*)

Esta característica solo está disponible en algunos modelos.

La función Cocción al vacío por flujo de aire utiliza aire para cocinar los alimentos "a fuego lento". Úsela para cocinar carnes, pescados, mariscos, aves o verduras. Los alimentos deben estar envasados al vacío en bolsas antes de cocinarlos.

- No es necesario precalentar el horno cuando se utiliza la función Cocción al vacío por flujo de aire.
- Consulte la guía de cocción para obtener los ajustes recomendados de la Cocción al vacío por flujo de aire.

Beneficios de la Cocción al vacío por flujo de aire

Las temperaturas más bajas y los tiempos de cocción prolongados que se usan en la Cocción al vacío proporcionan numerosos beneficios.

- Más saludable
 - En comparación con otros métodos de cocción, la Cocción al vacío por flujo de aire retiene la mayoría de los nutrientes originales de los alimentos.
- Seguro y conveniente
 - Los tiempos de cocción prolongados que se utilizan en la Cocción al vacío por flujo de aire

permiten pasteurizar los alimentos. Debido a que los alimentos se envasan al vacío antes de cocinarlos, las bolsas sin abrir se pueden enfriar rápidamente en un baño de hielo y guardarse en el congelador o el refrigerador después de la cocción.

- Resultados crujientes y húmedos
 - El control fino de la temperatura de la Cocción al vacío por flujo de aire es una excelente manera de lograr la textura perfecta al cocinar carne y aves. Las bajas temperaturas que se emplean en esta cocción retienen más humedad en los alimentos que los métodos de cocción convencionales. Después de cocinar, un último dorado en una sartén agrega el perfecto acabado crujiente.

Configuración del modo Cocción al vacío por flujo de aire

- 1 Coloque el estante resistente en la posición 3 y coloque la bolsa sellada con los alimentos sobre ella.
- 2 Gire la perilla de modo del horno para seleccionar **Air Sous-Vide**.
- 3 Ajuste la temperatura deseada del horno. (Rango: de 100 °F a 205 °F)

52 FUNCIONAMIENTO

4 Presione **START**.

5 Una vez finalizada la cocción, deje que el horno se enfríe por completo.

Guía de cocción al vacío por flujo de aire recomendada

Comida	Cantidad	Estante Posición	Temp. (°F)	Hora			
				Min.	Objetivo	Máx.	
Bistecs de carne vacuna	1" de espesor 14 - 17 onzas	1	135	-	2.5 horas	3 horas	
Pechuga	Pechugas	1	150	-	2 horas	3 horas	
	Muslos (con hueso)	-	155	-	4 horas	6 horas	
Salmón	1" de espesor 5 - 7 onzas	1	130	-	2 horas	2.5 horas	
Verduras	Espárragos	2.8 onzas (6 c/u) 5.6 onzas (12 c/ u)	1	185	20 min.	30 min.	45 min.
	Papas	dados de 1/2" hasta 36 onzas	1	200	-	2 horas	-
	Zanahorias	dados de 1/2" hasta 18 onzas	1	200	1.5 horas	2 horas	3 horas

Frozen Meal (Comida congelada)

La función Comida congelada está diseñada especialmente para cocinar comidas preparadas que están congeladas. Permite que los alimentos se calienten tanto desde arriba como desde abajo para dorarlos de manera más uniforme.

Este sistema está diseñado para brindar un rendimiento de cocción óptimo al seleccionar automáticamente una combinación de los sistemas de calentamiento para asar y hornear. Cuando se usa el modo Comida congelada, no se requiere precalentamiento. Para obtener mejores resultados con la pizza congelada, cocine los alimentos en un solo estante colocado en la posición 4 a 400 °F.

Configuración de la función Comida congelada

- 1 Gire la perilla de modo del horno para seleccionar el modo **Frozen Meal**. **Frozen** aparece en la pantalla.
- 2 Seleccione la temperatura de cocción sugerida en el envase utilizando los botones de números. (Rango: de 300 °F a 550 °F)

3 Presione **START**. La función de comida congelada comienza a funcionar.

4 Cuando termine de cocinar, gire la perilla de modo del horno a la posición **OFF**.

NOTA

- Para cancelar la función Comida congelada durante el uso, gire la perilla de modo del horno a la posición **OFF** en cualquier momento.

Slow Cook (Cocción lenta) (modelo LSGL6335*)

Esta característica solo está disponible en algunos modelos.

La función Cocción lenta está diseñada especialmente para asar carne de res, cerdo y aves. Es común que la superficie de los alimentos se oscurezca después de completar la cocción lenta. No se requiere precalentamiento cuando se usa el modo de cocción lenta.

Configuración de la función Cocción lenta

- 1 Gire la perilla de modo del horno para seleccionar el modo **Slow Cook. Hi** aparece en la pantalla.
- 2 Seleccione la opción deseada presionando los números 1 o 2.
 - 1: Hi (Alto, 275 °F)
 - 2: Lo (Bajo, 220 °F)
- 3 Presione **START**.
 - La función Cocción lenta comienza a funcionar.
- 4 Cuando termine de cocinar, gire la perilla de modo del horno a la posición **OFF**.

NOTA

- Para cancelar la cocción lenta durante el uso, gire la perilla de modo del horno a la posición **OFF** en cualquier momento.
- Para obtener los mejores resultados, utilice un solo estante en la posición 1 o 2.

Inicio remoto

Esta función inicia el precalentamiento y mantiene la temperatura hasta 12 horas (incluido el tiempo de precalentamiento). El electrodoméstico debe estar conectado a una red Wi-Fi doméstica para utilizar la función Remote Start. Una vez que se selecciona Remote Start en el electrodoméstico, puede iniciarlo o detenerlo de forma remota mediante la aplicación para teléfonos inteligentes LG ThinQ. Siga las instrucciones de la sección Funciones Inteligentes para conectar el electrodoméstico a la red.

Configuración de Inicio remoto

- 1 Abra la puerta del horno para asegurarse de que esté listo para el precalentamiento. Cierre la puerta del horno.
- 2 Gire la perilla de modo del horno para seleccionar **Remote Start**.

- 3 Cuando en la pantalla aparece **ON** (ENCENDIDO), la función Inicio remoto está lista para su utilización.
- 4 Sigue las instrucciones de la aplicación del teléfono inteligente para ajustar el modo de cocción, la temperatura y el tiempo de funcionamiento (tiempo de precalentamiento más tiempo de espera).

NOTA

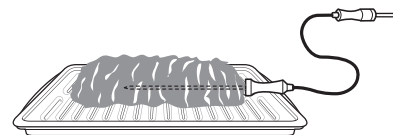
- La función Remote Start no se inicia si
 - El electrodoméstico no está conectado a la red Wi-Fi o aparece **OFF** en la pantalla.
 - Remote Start no está configurado en la aplicación del teléfono inteligente.
 - La puerta del horno está abierta. Si la puerta del horno está abierta, suena un breve pitido.

Meat Probe (Sonda para carne) (Modelo LSGL6337*)

Esta característica solo está disponible en algunos modelos.

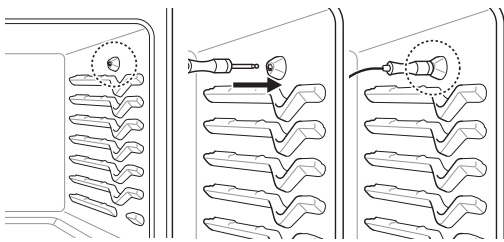
La sonda para carne mide con precisión la temperatura interna de la carne, las aves y los estofados. No debe utilizarse durante las funciones de asar, autolimpieza, calentamiento, leudado, Frozen Meal (Comida congelada) o Air Sous-Vide (Cocción al vacío por flujo de aire). Desenchufe y extraiga siempre la sonda para carne del horno al retirar la comida. Antes de usar, inserte la sonda en el centro de la parte más gruesa de la carne, en el muslo interno o en la pechuga de las aves, alejada de la grasa o los huesos. Coloque la comida en el horno y enchufe la sonda para carne al conector hembra. Mantenga la sonda lo más alejada posible de las fuentes de calor.

- 1 Inserte la sonda en la carne.



- 2 Enchufe la sonda para carne al conector hembra.

54 FUNCIONAMIENTO



- 3** Si la sonda para carne está conectada correctamente, el icono de la sonda para carne parpadea en la pantalla.

Configuración de la función Sonda para carne (ejemplo para Rostizar a 375 °F con una temperatura de Sonda de 160 °F)

- 1** Seleccione el modo de cocción. Gire la perilla de modo del horno hasta seleccionar el modo **Conv. Roast**.
- 2** Ajuste la temperatura del horno: toque los botones **3**, **7** y **5** hasta que aparezca 375 °F en la pantalla.
- 3** Presione **START**.
- 4** Ajuste la temperatura de la sonda: toque los botones **1**, **6** y **0** hasta que aparezca 160 °F en la pantalla.
- 5** Presione **START**.

NOTA

- La temperatura predefinida para la sonda es de 150 °F (65 °C), pero puede modificarse a cualquier temperatura entre 80 °F (27 °C) y 210 °F (100 °C). La pantalla muestra la temperatura modificada de la sonda. Cuando se alcanza la temperatura configurada de la sonda, el horno se apaga automáticamente.

Cambio de temperatura de la sonda

- 1** Presione **Temp**.
- 2** Ajuste la temperatura del horno.

- 3** Presione **START**.

- 4** Ajuste la temperatura de la sonda.

- 5** Presione **START**.

NOTA IMPORTANTE

Gire la perilla de modo del horno hasta la posición **OFF** (APAGADO) para cancelar la función Sonda para carne en cualquier momento. Para evitar que la sonda se rompa, asegúrese de que la comida esté totalmente descongelada antes de insertarle la sonda.

⚠ PRECAUCIÓN

- Utilice siempre un guante para horno al retirar la sonda de temperatura. No toque el asador. Si no se cumple con esta advertencia, se pueden producir lesiones personales graves.
- Para evitar daños en la sonda para carne, no use pinzas para tirar de la sonda al retirarla.
- No guarde la sonda para carne dentro del horno.
- No tire del cable para quitar la sonda. Al insertar o retirar la sonda, sostenga el cabezal de la sonda, no el cable.



Temperatura de sonda recomendada

Carne de res, cordero y ternera

Poco cocida: 130 °F (54 °C).

A punto: 140 °F (60 °C)

Término medio: 150 °F (66 °C)

Bien cocido: 160 °F (71 °C)

Cerdo

Bien cocido: 170 °F (77 °C)

Aves

Pechuga, bien cocida: 170 °F (77 °C)

Muslo, bien cocido: 180 °F (82 °C)

Rellenas, bien cocidas: 165 °F (74 °C)

Uso del Modo Sabbath

El Modo Sabbath se usa generalmente en las fiestas y el Sabbath judío. Cuando el modo Sabbath está activo, el horno no se apaga hasta que se desactive el modo Sabbath. En el modo Sabbath, todos los botones de función del horno y las perillas de la placa de cocción están inactivos. Aparecerá 5b en pantalla.

- 1 Desconecte la sonda. La función Sonda no está disponible en modo Sabbath.
- 2 Gire la perilla de modo del horno para seleccionar **Bake**.
- 3 Ajuste la temperatura deseada y el tiempo de cocción.
- 4 Presione **START**.
- 5 Mantenga presionado **Settings** durante tres segundos. Aparece 5b en la pantalla cuando está activado el modo Sabbath.

5b

- 6 Para detener el modo Sabbath, mantenga presionado **Settings** durante tres segundos. Para cancelar la función Hornear, gire la perilla del modo de horno a la posición **OFF** en cualquier momento.

NOTA

- El modo Sabbath solo está disponible cuando el horno está en el modo **Bake**.
- Si se configura un tiempo de cocción, el horno se apaga automáticamente al final de ese tiempo de cocción, sin que suene. El horno permanece en modo Sabbath, pero está apagado.
- Si no se configura un tiempo de cocción, el horno no se apagará automáticamente.
- Después de un corte de energía, la pantalla se volverá a encender en modo Sabbath, pero el horno se apagará.
- Siempre cierre la puerta del horno antes de activar el modo Sabbath.

FUNCIONES INTELIGENTES

Aplicación LG ThinQ

Esta característica solo está disponible en modelos con Wi-Fi.

La aplicación **LG ThinQ** le permite comunicarse con el electrodoméstico usando un teléfono inteligente.

Funciones de la aplicación LG ThinQ

- **Smart Diagnosis™**
 - Esta función brinda información útil para diagnosticar y resolver problemas con el producto conforme a su patrón de uso.
- **Configuración**
 - Esta función le permite ajustar varias opciones en el horno y en la aplicación.
- **Scan to Cook** (Escanear para cocinar)
 - Escanee el código de barras en una comida precocinada usando la aplicación LG ThinQ y envíe las instrucciones de cocción recomendadas o personalizadas directamente a su horno. La función **Remote Start** (Arranque remoto) debe estar activada en el horno para usar la función Scan to Cook.
- **Monitoreo**
 - Esta función le ayuda a comprobar el estado actual, el tiempo restante, la configuración de cocción y la hora de finalización en un lugar.
- **Notificaciones de productos**
 - Active las Alertas Push para recibir notificaciones del estado del electrodoméstico. Las notificaciones se emiten incluso si la aplicación **LG ThinQ** no está abierta.
- **Temporizador**
 - Se puede configurar el temporizador desde la aplicación.
- **Actualización de Firmware**
 - Mantiene el electrodoméstico actualizado.

NOTA

- En los siguientes casos, debe actualizar la información de red para cada electrodoméstico en la aplicación **LG ThinQ** en **tarjeta del electrodoméstico** → **Ajustes** → **Cambio de red**.
 - el router inalámbrico ha cambiado
 - la contraseña del router inalámbrico ha cambiado

- el proveedor de servicio de internet ha cambiado
- Esta información está actualizada en el momento de su publicación. La aplicación está sujeta a cambios, con fines de mejorar el producto, sin previo aviso a los usuarios.
- No se puede utilizar Scan to Cook (Escanear para cocinar) mientras el temporizador está funcionando. Cancele la operación del temporizador para usar Scan to Cook.

Instalación de la aplicación LG ThinQ y conexión de un electrodoméstico LG

Modelos con código QR

Escanee el código QR que trae el producto con la cámara o una aplicación lectora de códigos QR en su teléfono inteligente.



Modelos sin código QR

- 1 Busque la aplicación **LG ThinQ** en la tienda Google Play o Apple App Store e instálela en su teléfono inteligente.
- 2 Ejecute la aplicación **LG ThinQ** e inicie sesión con su cuenta actual, o cree una cuenta LG para iniciar sesión.
- 3 Pulse el botón Agregar (+) en la aplicación **LG ThinQ** para conectar su electrodoméstico LG. Siga las instrucciones en la aplicación y complete el proceso.

NOTA

- Para verificar la conexión Wi-Fi, revise que el ícono en el panel de control esté encendido.
- El electrodoméstico funciona únicamente con redes Wi-Fi de 2.4 GHz. Contacte a su proveedor de servicios de internet o verifique el manual del

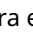
enrutador inalámbrico para revisar la frecuencia de su red.

- **LG ThinQ** no es responsable por ningún problema de conexión en red, falla, mal funcionamiento o error causado por la conexión de red.
- El entorno inalámbrico circundante puede hacer que el servicio de red inalámbrica funcione lentamente.
- Si la distancia entre el electrodoméstico y el enrutador inalámbrico es muy grande, la señal será débil. Probablemente le tome más tiempo conectarse o no pueda instalar la aplicación.
- Si el aparato tiene problemas para conectarse a la red Wi-Fi, es posible que se encuentre demasiado lejos del router. Adquiera un repetidor Wi-Fi (extensor de alcance) para mejorar la intensidad de la señal Wi-Fi.
- Es posible que la conexión de red no funcione bien por cuestiones relacionadas con su proveedor de servicios de Internet.
- Es posible que el equipo no se conecte a la red Wi-Fi o que se interrumpa la conexión debido al entorno de la red doméstica.
- Si el electrodoméstico no puede conectarse debido a problemas con la transmisión de la señal inalámbrica, desenchufe el artefacto y espere alrededor de un minuto antes de intentarlo de nuevo.
- Si el cortafuegos de su enrutador inalámbrico está activado, desactívelo o añada una excepción a éste.
- El nombre de la red inalámbrica (SSID) debe ser una combinación de letras y números. (No utilice símbolos especiales)
- La interfaz de usuario (IU) del teléfono inteligente puede variar dependiendo del sistema operativo (OS) del móvil y del fabricante.
- Puede que la configuración de red falle si el protocolo de seguridad del enrutador está en **WEP**. Cambie el protocolo de seguridad por otro (se recomienda el **WPA2**) y conecte el producto de nuevo.
- Para desactivar la función **Wi-Fi**, mantenga presionado el botón **Wi-Fi** por 3 segundos. El indicador **Wi-Fi** se apagará.
- Para volver a conectar el electrodoméstico o agregar otro usuario, mantenga presionado el botón **Wi-Fi** por 3 segundos. Ejecute la aplicación **LG ThinQ** y siga las instrucciones en ella para conectar el electrodoméstico.

Instalación de la aplicación LG ThinQ

Busque la aplicación **LG ThinQ** en la tienda Google Play o App Store desde su teléfono inteligente. Siga las instrucciones para descargar e instalar la aplicación.

Conexión a Wi-Fi

El botón **Wi-Fi**, al ser usado con la aplicación **LG ThinQ**, permite al electrodoméstico conectarse a la red Wi-Fi doméstica. El ícono  muestra el estado de la conexión de red del electrodoméstico. El ícono se ilumina cuando el electrodoméstico está conectado a la red Wi-Fi.

• Conexión inicial del electrodoméstico

Ejecute la aplicación **LG ThinQ** y siga las instrucciones en ella para conectar el electrodoméstico.

• Reconexión del electrodoméstico o conexión de otro usuario

Mantenga presionado el botón **Wi-Fi** durante 3 segundos. Ejecute la aplicación **LG ThinQ** y siga las instrucciones en ella para conectar el electrodoméstico.

Especificaciones del módulo RF

Tipo	Rango de frecuencia	Potencia de salida (máx.)
Wi-Fi	2 412 - 2 462 MHz	< 30 dBm
Bluetooth	2 402 - 2 480 MHz	< 30 dBm

Declaración de la FCC

El siguiente aviso cubre el módulo transmisor contenido en este producto.

Este equipo fue probado y se determinó que cumple con los límites para los dispositivos digitales de Clase B, en conformidad con la parte 15 de las normas de la FCC. Estos límites están diseñados para ofrecer una protección razonable contra interferencias dañinas en una instalación residencial. Este equipo genera, usa y puede emitir energía de radiofrecuencia y, si no se instala y utiliza de acuerdo con las instrucciones, podría causar interferencias dañinas a las comunicaciones por radio. Sin embargo, no se garantiza que dicha interferencia no pueda ocurrir en instalaciones particulares. Si este equipo causa

58 FUNCIONES INTELIGENTES

interferencia dañina a la recepción de radio o televisión, que se puede determinar encendiendo y apagando el equipo, se aconseja al usuario intentar corregir la interferencia realizando alguna de las siguientes acciones:

- Reorientar o reubicar la antena receptora.
- Aumentar la separación entre el equipo y el receptor.
- Conecte el equipo a una toma de corriente en un circuito diferente al que está conectado el receptor.
- Consultar al vendedor o a un técnico de radio/TV con experiencia para solicitar ayuda.

El dispositivo cumple con la parte 15 de las Reglas FCC. La operación está sujeta a las siguientes dos condiciones:

- (1) Este dispositivo no debe causar interferencia dañina, y
- (2) Este dispositivo debe aceptar cualquier interferencia que reciba, incluida la interferencia que pueda causar un funcionamiento no deseado.

Cualquier cambio o modificación en la construcción de este dispositivo, que no cuente con la aprobación expresa de la parte responsable del cumplimiento, puede anular la autorización del usuario para operarlo.

Declaración sobre exposición a la radiación de RF de la FCC

Este equipo cumple con los límites de exposición a la radiación de la FCC establecidos para entornos no controlados. Este transmisor no se debe ubicar ni operar junto con ninguna otra antena ni transmisor.

El equipo se debe instalar y operar con una distancia mínima de 20 cm (7.8 pulg.) entre la antena y su cuerpo. Los usuarios deben seguir las instrucciones de operación específicas de manera tal de cumplir con las normas de exposición a la RF.

Software de código abierto

Para obtener el código fuente bajo GPL, LGPL, MPL y otras licencias de código abierto con las obligaciones para divulgar el código abierto, que contiene este producto, y para acceder a todos los términos de la licencia, avisos de derechos de autor y otros documentos relevantes, visite <https://opensource.lge.com>.

LG Electronics también le proporcionará el código abierto en un CD-ROM por un costo que cubra los gastos de dicha distribución (como el costo del

medio, del envío y de la manipulación) una vez realizado el pedido por correo electrónico a la dirección opensource@lge.com.

Esta oferta es válida para todo aquel que reciba esta información durante un período de tres años después de que se envíe el último cargamento de este producto.

Función Smart Diagnosis™

Utilice esta función como ayuda para diagnosticar y resolver problemas con su electrodoméstico.

NOTA

- Por motivos no atribuibles a la negligencia de LGE, es posible que el servicio no pueda funcionar debido a factores externos como por ejemplo, la indisponibilidad de Wi-Fi, desconexión de Wi-Fi, política de la tienda de aplicaciones local o indisponibilidad de aplicaciones, entre otros.
- Esta función puede estar sujeta a cambios sin previo aviso y puede tener una forma diferente según dónde se encuentre ubicado.

Uso de LG ThinQ para diagnosticar problemas

Si experimenta un problema con su electrodoméstico equipado con Wi-Fi, este puede transmitir datos sobre la resolución de problemas a un teléfono inteligente con la aplicación **LG ThinQ**.

- Inicie la aplicación **LG ThinQ** y seleccione la función **Smart Diagnosis** en el menú. Siga las instrucciones provistas en la aplicación **LG ThinQ**.

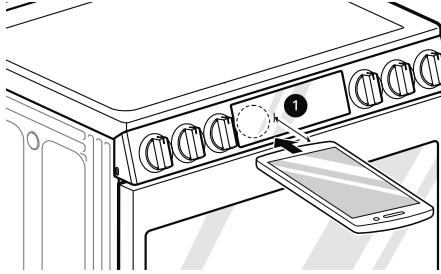
Uso del diagnóstico audible para diagnosticar problemas

Siga las instrucciones a continuación para utilizar el método de diagnóstico audible.

- Inicie la aplicación **LG ThinQ** y seleccione la función **Smart Diagnosis** en el menú. Siga las instrucciones para el diagnóstico audible provistas en la aplicación **LG ThinQ**.

- 1 Mantenga presionado el botón **START** durante 3 segundos.
 - Si la pantalla ha sido bloqueada, debe desactivar el bloqueo y luego reactivarlo.

- 2 Mantenga el auricular de su teléfono frente al panel de control, como se muestra a continuación.



1 Máx: 3/8" (10 mm)

- 3 Mantenga el teléfono en su sitio hasta que haya terminado la transmisión de tonos. La pantalla mostrará el recuento de tiempo. Una vez que haya finalizado el recuento de tiempo y los tonos se hayan detenido, aparecerá el diagnóstico en la aplicación.

NOTA

- Para obtener resultados óptimos, no mueva el teléfono mientras se transmitan los tonos.

MANTENIMIENTO

Limpieza

⚠ PRECAUCIÓN

- No limpie este aparato con lejía.
- Para evitar quemaduras, deje enfriar la parte superior de la estufa antes de tocar cualquiera de sus piezas.
- Use guantes para limpiar la parte superior.

Interior

No utilice limpiadores de horno para limpiar la cavidad del horno. Utilice la función **EasyClean** del producto regularmente para limpiar la suciedad ligera. Para la suciedad rebelde, utilice la función **Self Clean** (en algunos modelos) o limpie manualmente con los siguientes consejos.

- Se puede usar una espátula plástica como raspador para quitar los restos o residuos antes de la limpieza del horno o durante el proceso.
- Puede resultar de ayuda usar el lado áspero de una esponja que no raye para quitar manchas quemadas mejor que con una esponja blanda o una toalla.
- Algunas esponjas que no rayan, como las hechas de espuma de melamina, disponibles en las tiendas locales, también pueden ayudar a mejorar la limpieza.

⚠ PRECAUCIÓN

- No utilice limpiadores para hornos, limpiadores químicos abrasivos, lejía, vinagre, esponjas de acero ni paños o limpiadores abrasivos para limpiar el horno, ya que pueden dañar permanentemente la superficie del horno.
- No limpie las juntas.

Exterior

Panel de control

Para evitar que el panel de control se active durante la limpieza, desconecte el electrodoméstico de la alimentación eléctrica. Limpie las salpicaduras con un paño húmedo y limpiacristales. Elimine la suciedad más difícil con una solución de agua tibia jabonosa. No use ningún tipo de abrasivos.

Perillas y panel del múltiple delantero

Limpie las perillas y el panel del múltiple después de cada uso. Para obtener los mejores resultados, use un paño húmedo y agua jabonosa suave o una solución 50/50 de vinagre y agua. Enjuague con agua limpia e inmediatamente seque y lustre con un paño suave.

⚠ PRECAUCIÓN

- Para evitar dañar el acabado de las perillas y el panel del múltiple No use limpiadores abrasivos, limpiadores líquidos fuertes, esponjas abrasivas plásticas o limpiadores para horno.
- No intente doblar las perillas moviéndolas hacia arriba o hacia abajo y no cuelgue toallas ni otros objetos de ellas. Hacerlo puede dañar el eje de la válvula de gas.
- Las perillas de control se pueden quitar para limpiarlas fácilmente.
- Para limpiar las perillas, asegúrese de que estén en la posición **OFF** y sáquelas de los vástagos.
- Para volver a colocarlas, asegúrese de que la perilla esté colocada en la posición **OFF** centrada en la parte superior y deslice la perilla directamente sobre el vástago.

Reborde decorativo y pintado

Para la limpieza general, use un paño con agua jabonosa caliente. En el caso de suciedad más difícil y grasa acumulada, aplique detergente líquido directamente sobre la suciedad. Déjelo reposar allí entre 30 y 60 minutos. Enjuague con un paño húmedo y seque. No use limpiadores abrasivos.

Superficies de acero inoxidable

Para evitar hacer rayas, no use esponjas de lana de acero.

- 1 Coloque una pequeña cantidad de limpiador o pulidor para electrodomésticos de acero inoxidable en un paño o una toalla de papel húmedos.
- 2 Limpie un área pequeña y friegue siguiendo el grano del acero inoxidable si corresponde.
- 3 Seque y saque brillo con un paño suave o una toalla de papel secos y limpios.

4 Repita si fuera necesario.

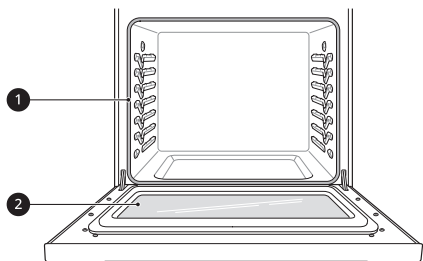
NOTA

- Para limpiar la superficie de acero inoxidable, utilice agua tibia jabonosa, limpiador o pulidor para acero inoxidable.
- Limpie siempre en la dirección del acabado de la superficie de metal.
- Los limpiadores o pulidores para electrodomésticos de acero inoxidable pueden comprarse por Internet o en la mayoría de los comercios minoristas de electrodomésticos o artículos para el hogar.

Puerta del horno

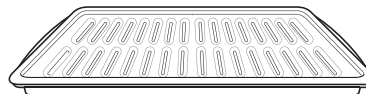
⚠ PRECAUCIÓN

- No use limpiadores para horno, polvos limpiadores ni materiales abrasivos de limpieza en el exterior de la puerta del horno. Si lo hace, podría causar daños.
- Use agua jabonosa para limpiar bien la puerta del horno. Enjuague bien. No sumerja la puerta en agua.
- Puede usar un limpiador para vidrios en la parte externa de la puerta del horno. No rocíe agua ni limpiador para vidrios en las ventilaciones de la puerta.
- No use limpiadores para horno, polvos limpiadores ni materiales abrasivos de limpieza en el exterior de la puerta del horno.
- No limpie la junta de la puerta del horno. La junta está hecha de material tejido que es fundamental para lograr un buen sellado. Se debe tener cuidado de no frotar, dañar ni quitar esta junta.



- 1 No limpie manualmente la junta de la puerta del horno
- 2 Limpie manualmente la puerta

Asadera y rejilla



- No guarde una asadera o rejilla sucia en ninguna parte de la estufa.
- No limpie la asadera ni la rejilla en el modo de autolimpieza. (Disponible en algunos modelos)
- Retire la rejilla de la asadera. Vierta la grasa de la asadera en un recipiente adecuado con cuidado.
- Lave y enjuague la asadera y la rejilla con agua caliente y una esponja abrasiva plástica o jabón.
- Si hay comida quemada, rocíe la rejilla con limpiador mientras está caliente y cúbrala con toallas de papel húmedas o un paño de cocina. Al sumergir la asadera se removerán los restos de comida quemada.
- Tanto la asadera como la rejilla se pueden limpiar con un limpiador para horno comercial o en el lavavajillas.

Estantes del horno

Retire los estantes del horno antes de iniciar el ciclo Self Clean (en algunos modelos) y la función EasyClean.

- 1 Limpie con un limpiador abrasivo suave.
 - Los alimentos derramados en las guías pueden atascar los estantes.
- 2 Enjuague con agua limpia y seque.

NOTA

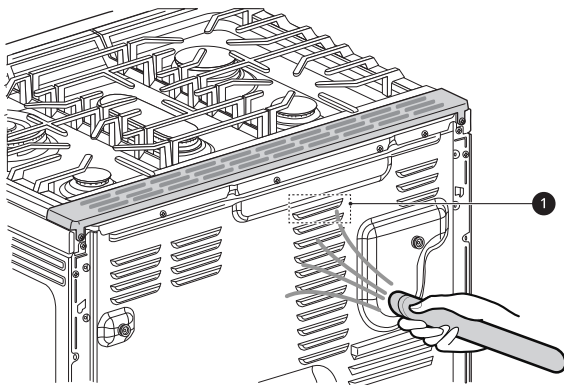
- Para modelos con función Self Clean:
 - Si limpia los estantes usando el ciclo Self Clean (no recomendado), el color cambiará a azul claro y el acabado perderá el brillo. Una vez finalizado el ciclo Self Clean y después de que el horno se haya enfriado, frote los costados de los estantes con papel encerado o con un paño que contenga una pequeña cantidad de aceite. Esto hará que los estantes se deslicen más fácilmente en las guías.

Celosía de ventilación

- La apariencia de la estufa puede variar entre los distintos modelos.

62 MANTENIMIENTO

Use una aspiradora con un accesorio de cepillo o boquilla para limpiar la celosía de ventilación ①. No quite el panel que cubre la estufa.



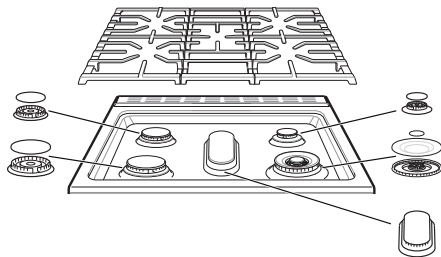
Quemadores de superficie de gas

Retiro y colocación de los quemadores de superficie de gas

La ubicación y el tamaño de los quemadores pueden variar según el modelo.

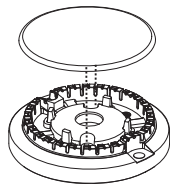
Es posible retirar las rejillas, las tapas y los cabezales de los quemadores para limpiarlos y brindarles mantenimiento.

- Tenga cuidado al instalar o retirar las rejillas, ya que los extremos ásperos pueden causar arañazos en la superficie de la placa de cocción.

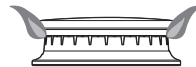


⚠ PRECAUCIÓN

- Asegúrese de que los cabezales del quemador se reinstalen adecuadamente. Estarán estables y quedarán planos si están correctamente instalados.



- La tapa del quemador está bien colocada:



- La tapa del quemador no está bien colocada:



Limpieza de tapas/cabezales del quemador

Para lograr una llama uniforme y libre, las aberturas en los cabezales de los quemadores deben estar siempre limpias. Las tapas y los cabezales del quemador (y el conjunto de tapa y cabezal del quemador ovalado) se pueden levantar. No intente retirar la tapa del quemador ovalado.

⚠ PRECAUCIÓN

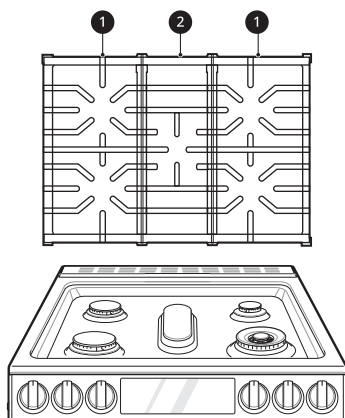
- No golpee los electrodos con nada duro. Si lo hace, podría dañarlos.
- No use lana de acero ni polvos abrasivos para limpiar los quemadores.
- Lave las tapas del quemador con agua jabonosa caliente y enjuáguelas con agua limpia. Deje correr el agua sobre el quemador ovalado desde el vástago inferior para eliminar la suciedad.
- Limpie la placa de cocción con cuidado. Los extremos de metal puntiagudos de los electrodos de chispa pueden producir lesiones. Si golpea un electrodo con un objeto rígido puede dañarlo.
- Para limpiar alimentos quemados, sumerja los cabezales del quemador en una solución de agua caliente y detergente líquido suave durante 20 a 30 minutos. Si las manchas son difíciles de quitar, use un cepillo de dientes o un cepillo de alambre.
- Los quemadores no funcionarán correctamente si los electrodos o los puertos del quemador están obstruidos o sucios.
- Los cabezales y las tapas del quemador se deben limpiar regularmente, en especial después de derrames excesivos.
- Los quemadores no se encenderán si ha retirado la tapa.

Después de la limpieza de tapas/ cabezales del quemador

Sacuda los restos de agua y deje que se sequen bien. Si coloca el quemador ovalado al revés permitirá que el agua drene con más facilidad. Vuelva a colocar las tapas y los cabezales de los quemadores sobre los electrodos en la placa de cocción en el lugar correcto de acuerdo con su tamaño. Asegúrese de que el agujero del cabezal del quemador esté ubicado sobre el electrodo.

Rejillas de los quemadores

La estufa incluye tres rejillas profesionales independientes. Para lograr la estabilidad máxima, estas rejillas solo se deben usar en la posición correcta. La rejilla central se puede girar del frente a la parte posterior.



- ❶ Rejilla lateral
- ❷ Rejilla central

⚠ PRECAUCIÓN

- No haga funcionar un quemador durante un período prolongado sin colocar utensilios de cocina en la rejilla. El acabado de la rejilla puede saltarse cuando no hay utensilios de cocina que absorban el calor.

Limpieza de las rejillas de los quemadores

⚠ PRECAUCIÓN

- No levante las rejillas hasta que se hayan enfriado.
- No coloque la rejilla en el horno durante el modo de autolimpieza. (En algunos modelos)
- Las rejillas se deben lavar regularmente y después de derrames.

- Lave las rejillas con agua jabonosa caliente y enjuáguelas con agua limpia.
- Las rejillas son aptas para lavavajillas.
- Después de limpiar las rejillas, deje que se sequen completamente y colóquelas de manera segura sobre los quemadores.

Limpieza de la superficie de la placa de cocción

El revestimiento EasyClean facilita la limpieza de la placa de cocción. Hasta las manchas de grasa difíciles se pueden eliminar solo con agua tibia.

⚠ PRECAUCIÓN

- Antes de limpiar, gire todos los controles a la posición **OFF** y deje enfriar la placa de cocción.
- Para evitar quemaduras, no limpie la superficie de la placa de cocción hasta que se haya enfriado.
- No levante la superficie de la placa de cocción. Si levanta la superficie de la placa de cocción puede dañar la estufa o hacer que funcione de forma incorrecta.
- En caso de derramar agua sobre la estufa, séquela de inmediato. Si queda agua sobre la estufa por un periodo prolongado, se puede decolorar la superficie.

Los alimentos con alto contenido de ácido o azúcares pueden quitar el brillo si se dejan asentar. Lave y enjuague estas manchas inmediatamente después de que la superficie se haya enfriado. Si se trata de otros derrames, como salpicaduras de aceite, grasa, etc., lave con agua y jabón cuando la superficie se haya enfriado; luego, enjuague y lustre con un paño seco.

- Retire las rejillas, los quemadores y las tapas de los quemadores de la placa de cocción.
- Raspe y retire los residuos quemados con un raspador plástico o una tarjeta de crédito que ya no use.
- Limpie la placa de cocción con una esponja o un paño de limpieza húmedos que no rayen.

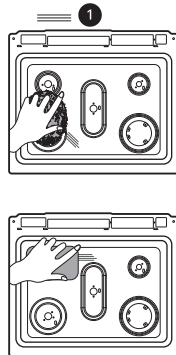
NOTA

- Placa de cocción de acero inoxidable EasyClean
 - Para evitar rayones en la superficie de la placa de cocción, no use paños o esponjas de metal o abrasivas.

64 MANTENIMIENTO

NOTA

- Frote siguiendo la dirección del grano para no dañar la superficie.



1 Dirección del grano

- Como en cualquier placa de cocción, algunas manchas no pueden eliminarse.
- Para eliminar los residuos endurecidos de la placa de cocción, utilice un detergente de cocina para una limpieza más fácil.

EasyClean

Esta característica solo está disponible en algunos modelos.

La tecnología esmaltada de LG EasyClean ofrece dos opciones de limpieza para el interior de la estufa. La función EasyClean se beneficia con el nuevo esmalte de LG ya que ayuda a despegar la suciedad sin usar químicos fuertes y funciona **SOLAMENTE CON AGUA** durante apenas 10 minutos a baja temperatura para aflojar la suciedad **LEVE** antes de la limpieza manual.

Si bien la función EasyClean es rápida y eficaz para la suciedad **LEVE** y pequeña, la función Self Clean se puede usar para quitar la suciedad **DIFÍCIL** acumulada. La intensidad y la alta temperatura del ciclo Self Clean pueden producir humo, de modo que se deberán abrir las ventanas para ventilar. En comparación con el proceso más intenso de Self Clean, el horno LG le brinda la opción de limpiar con **MENOS CALOR**, en **MENOS TIEMPO** y, prácticamente, **SIN HUMO NI VAPORES**. Puede reducir el uso de energía limpiando la suciedad leve del horno con la función EasyClean en lugar de usar Self Clean.

Cuando sea necesario, la estufa ofrece también la opción de Self Clean más prolongada y profunda del horno para quitar la suciedad más difícil acumulada. (En algunos modelos)

- Para limpiar áreas difíciles de alcanzar, como la superficie trasera del horno, es mejor usar el ciclo Self Clean.

Beneficios de EasyClean

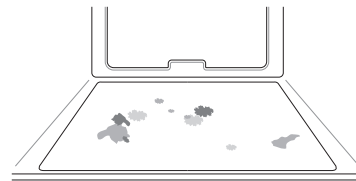
- Ayuda a aflojar la suciedad leve antes de la limpieza manual
- EasyClean solo usa agua; no usa limpiadores químicos
- Favorece una mejor experiencia de Self Clean (En algunos modelos)
 - Retrasa la necesidad de un ciclo Self Clean
 - Minimiza el humo y los olores
 - Puede acortar el tiempo de Self Clean

NOTA

- Para modelos sin la opción de Self Clean
 - La función EasyClean tal vez no sea efectiva para quitar la suciedad difícil acumulada. Debido a que la estufa no incluye una opción de Self Clean, limpie el horno periódicamente con la función EasyClean para evitar que se acumulen residuos difíciles quemados en el horno.

Cuándo usar EasyClean

- Ejemplo de suciedad en el horno



Caso 1

- Forma de la suciedad: gotitas o manchitas
- Tipos de suciedad: queso u otros ingredientes
- Alimentos comunes que pueden ensuciar el horno: pizza

Caso 2

- Forma de la suciedad: salpicadura leve
- Tipos de suciedad: grasa/aceite
- Alimentos comunes que pueden ensuciar el horno: bistecs, asados / pescado, asado / carne rostizada a baja temperatura

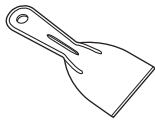
Guía de instrucciones de EasyClean

NOTA

- Permita que el horno se enfríe a temperatura ambiente antes de usar el ciclo EasyClean. Si la cavidad del horno alcanza una temperatura superior a 150 °F (65 °C), aparecerá "Hot" en la pantalla y el ciclo EasyClean no se activará hasta que la cavidad del horno se enfríe.
- La estufa debe estar nivelada para garantizar que la superficie inferior de la cavidad del horno esté completamente cubierta con agua al comienzo del ciclo EasyClean.
- Para obtener mejores resultados, use agua destilada o filtrada. El agua del grifo puede dejar depósitos minerales en la base del horno.
- La suciedad quemada en varios ciclos de cocción será más difícil de quitar con el ciclo EasyClean.
- No abra la puerta del horno durante el ciclo EasyClean. El agua no se calienta lo suficiente si se abre la puerta durante este ciclo.

1 Quite los estantes y los accesorios del horno.

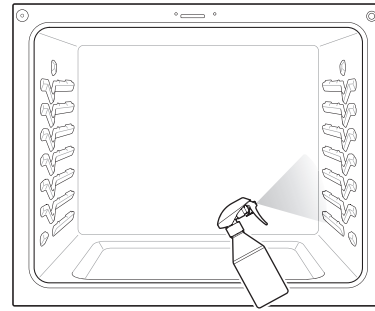
2 Raspe y retire los residuos quemados con un raspador plástico.



- Raspadores plásticos sugeridos:
 - Espátula de plástico dura
 - Raspador plástico para bandejas
 - Raspador plástico para pintura
 - Tarjeta de crédito sin usar

3 Llene un envase rociador con agua (10 oz o 300 ml) y utilícelo para rociar bien las superficies interiores del horno.

4 Use por lo menos 1/5 (2 oz o 60 ml) del agua de la botella para saturar completamente la suciedad en las paredes y las esquinas del horno.



5 Rocíe o vierta el agua restante (8 oz o 240 ml) en el centro de la base de la cavidad del horno. La hendidura en la base del horno debe estar totalmente cubierta para sumergir toda la suciedad. Agregue agua si fuera necesario.

NOTA

- Si limpia varios hornos, use una botella de agua entera para cada uno. No rocíe agua directamente en la puerta. Si lo hace, el agua caerá al piso.

6 Cierre la puerta del horno. Gire la perilla de modo del horno hasta seleccionar **EasyClean**. Presione **START**.

⚠ PRECAUCIÓN

- Algunas superficies pueden quedar calientes después del ciclo EasyClean. Use guantes de goma cuando limpie para evitar quemaduras.
- Durante el ciclo EasyClean, el horno se calienta lo suficiente como para provocar quemaduras. Espere hasta que el ciclo termine antes de limpiar la superficie interna del horno. Si no espera, podría quemarse.
- Evite apoyarse o posarse sobre el vidrio de la puerta del horno mientras limpia la cavidad del horno.

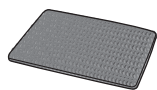
7 Sonará un tono al final del ciclo de 10 minutos. Gire la perilla de modo del horno hasta la posición **OFF** para borrar la pantalla y apagar el tono.

8 Después del ciclo de limpieza y durante la limpieza manual, debe quedar suficiente agua en la base del horno para sumergir

66 MANTENIMIENTO

completamente la suciedad. Agregue agua si fuera necesario. Coloque una toalla en el piso frente al horno para absorber el agua que pueda derramarse durante la limpieza manual.

- 9** Limpie la cavidad del horno inmediatamente después del ciclo EasyClean fregando con una esponja o un paño de limpieza húmedos que no rayen. (El lado para refregar no rayará el acabado). Se puede derramar un poco de agua en las ventilaciones de la base cuando se realice la limpieza, pero se recogerá en una bandeja que se encuentra debajo de la cavidad del horno y no dañará el quemador.



NOTA

- No use esponjas de acero ni paños o limpiadores abrasivos, ya que estos materiales pueden dañar en forma permanente la superficie del horno.

- 10** Una vez que haya limpiado la cavidad del horno, quite el exceso de agua con una toalla limpia y seca. Vuelva a colocar los estantes y demás accesorios.

- 11** Si queda alguna suciedad leve, repita los pasos anteriores y asegúrese de empañar bien las áreas sucias.
- Para modelos con función Self Clean
 - Si queda suciedad rebelde después de varios ciclos EasyClean, ejecute el ciclo Self Clean. Asegúrese de que se hayan retirado de la cavidad del horno los estantes y los demás accesorios y que la superficie de la cavidad esté seca antes de ejecutar el ciclo Self Clean. Consulte la sección Self Clean (Autolimpieza) del manual del propietario para obtener más detalles. Si la opción de Self Clean no está disponible, raspe y retire la suciedad difícil usando un raspador.

NOTA

- Si olvida empañar el interior del horno con agua antes de comenzar el ciclo EasyClean, gire la perilla de modo del horno hasta la posición **OFF** (APAGADO) para finalizar el ciclo. Espere que la

estufa se enfríe a temperatura ambiente y, luego, rocíe o vierta agua en el horno y comience otro ciclo EasyClean.

- La junta de la cavidad puede quedar mojada cuando termine el ciclo EasyClean. Esto es normal. No limpie la junta.
- Si quedan depósitos minerales en la base del horno después de la limpieza, use un paño o una esponja impregnada en vinagre para quitarlos.
- Es normal que el ventilador funcione durante el ciclo EasyClean.
- No es recomendable el uso de limpiadores comerciales o blanqueadores para limpiar el horno. Utilice un limpiador líquido suave con un valor de pH inferior a 12.7 para evitar que el esmalte pierda el color.

Self Clean (Autolimpieza)

Esta característica solo está disponible en algunos modelos.

El ciclo Self Clean usa temperaturas sumamente altas para limpiar la cavidad del horno. Mientras se ejecuta el ciclo de autolimpieza, es posible que perciba humo u olor. Esto es normal, especialmente si el horno está muy sucio. Durante el ciclo Self Clean, se debe ventilar bien la cocina para minimizar los olores de la limpieza.

Antes de comenzar Self Clean

- Limpie solo las partes mencionadas en el manual. Quite los estantes del horno, la asadera, la rejilla de la asadera, los recipientes, el papel aluminio y cualquier otro material del horno.
 - Si se dejan los estantes en el horno durante el ciclo Self Clean se decolorarán y será difícil deslizarlos hacia adentro o hacia afuera.
- La cocina debe estar bien ventilada para minimizar los olores de la limpieza. Abra una ventana o encienda un ventilador o extractor antes de la autolimpieza.
- Limpie los derrames difíciles en la base del horno.
- Asegúrese de que la tapa de la luz del horno esté en su lugar y que la luz esté apagada.
- Limpie el marco del horno y la puerta con agua jabonosa caliente. Enjuague bien.

⚠ ADVERTENCIA


- Si el horno está muy sucio con aceite, realice una autolimpieza del horno antes de volver a utilizarlo. El aceite puede provocar un incendio.

- En caso de un incendio en el horno durante la autolimpieza, apáguelo y espere a que se apague el fuego. No fuerce la puerta para abrirla. El ingreso de aire fresco a las temperaturas de autolimpieza puede producir un estallido de llamas en el horno. Si no sigue estas instrucciones podría sufrir quemaduras graves.

⚠ PRECAUCIÓN

- No use limpiadores para horno. No deben usarse limpiadores comerciales ni revestimientos protectores para horno de ningún tipo alrededor de las piezas del horno.
- Aparece un código de error F en la pantalla del horno y suenan tres pitidos largos durante el proceso de autolimpieza si el modo de autolimpieza no funciona correctamente. Desconecte la energía eléctrica del fusible principal o el disyuntor y hágalo revisar por un técnico calificado.
- Si el modo de autolimpieza no funciona correctamente, apague la estufa y desconecte la alimentación eléctrica. Hágalo revisar por un técnico calificado.
- Es normal que las piezas del horno se calienten durante el ciclo Self Clean. No toque la placa de cocción de la estufa, la ventana ni el área de ventilación del horno durante el ciclo Self Clean.
- No deje a niños pequeños sin supervisión cerca del aparato. Durante el ciclo Self Clean, el exterior de la estufa puede estar muy caliente al tacto.
- Si tiene aves domésticas, llévelas a otra sala bien ventilada. La salud de algunas aves es muy sensible a los vapores emanados durante el ciclo Self Clean de cualquier estufa.
- No recubra las paredes del horno, los estantes, el fondo ni ninguna otra parte de la estufa con papel de aluminio ni con ningún otro material. Esto destruye la distribución de calor, produce resultados de horneado deficientes y causa daños permanentes al interior del horno (el papel de aluminio se fundirá en la superficie interior del horno).
- No fuerce la puerta del horno para abrirla. Podría dañar el sistema automático de bloqueo de la puerta. Tenga cuidado cuando abra la puerta del horno después del ciclo Self Clean. Ubíquese al costado del horno cuando abra la puerta para dejar que salgan el aire y el vapor calientes. El horno todavía puede estar MUY CALIENTE.

NOTA

- La luz del horno no se puede encender durante el ciclo Self Clean. La luz del horno no se puede encender hasta que la temperatura sea inferior a 500 °F (260 °C) después de completar el ciclo Self Clean.
- Durante el ciclo Self Clean, no se pueden usar los elementos de la placa de cocción ni el cajón de calentamiento.
- Limpie el marco del horno y la puerta con agua jabonosa caliente. Enjuague bien.
- No limpie la junta. La fibra de vidrio de la junta de la puerta del horno no resiste la abrasión. Es fundamental que la junta permanezca intacta. Si nota que está gastada o deshilachada, reemplácela.
- Es normal que el ventilador funcione durante el ciclo Self Clean.
- A medida que el horno se calienta, es posible que escuche ruidos por la expansión y contracción de las piezas metálicas. Es normal y no dañará el horno.
- Es posible que note un poco de ceniza blanca en el horno. Límpiela con un paño húmedo o una esponja de lana de acero con jabón después de que el horno se enfríe. Si el horno no está limpio después de un ciclo de autolimpieza, repita el ciclo.
- Si se dejaron los estantes en el horno y no se deslizan bien después de un ciclo Self Clean, aplique a los estantes y sus soportes un poco de aceite vegetal para que se desplacen con facilidad.
- Pueden aparecer líneas finas en la porcelana porque fue sometida a frío y calor. Esto es normal y no afecta su desempeño.
- No se puede iniciar el ciclo Self Clean si está activa la función Bloqueo de Control/Bloqueo.
- Una vez que se haya configurado el ciclo Self Clean, la puerta del horno se traba automáticamente. No podrá abrir la puerta del horno hasta que el horno se haya enfriado. El bloqueo se libera de manera automática.
- Una vez que la puerta se haya trabado, la luz indicadora de bloqueo  dejará de parpadear y quedará encendida. Espere unos 15 segundos para que se active la traba de la puerta del horno.
- Si el reloj está configurado para una visualización de 12 horas (predeterminado), Self Clean atrasada nunca se podrá iniciar con más de 12 horas de anticipación.

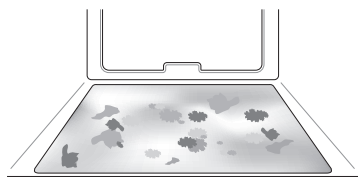
68 MANTENIMIENTO

NOTA

- Luego de que se apague el horno, el ventilador de convección seguirá funcionando hasta que el horno se haya enfriado.

Cuándo usar Self Clean

- Ejemplo de suciedad en el horno



Caso 1

- Forma de la suciedad: salpicadura mediana a grande
- Tipos de suciedad: grasa/aceite
- Alimentos comunes que pueden ensuciar el horno: carne rostizada a alta temperatura

Caso 2

- Forma de la suciedad: gotas o manchas
- Tipos de suciedad: relleno o suciedad de alimentos con azúcar
- Alimentos comunes que pueden ensuciar el horno: tartas

Caso 3

- Forma de la suciedad: gotas o manchas
- Tipos de suciedad: crema o salsa de tomate
- Alimentos comunes que pueden ensuciar el horno: estofados

NOTA

- El ciclo de autolimpieza puede usarse para suciedad que se haya acumulado con el tiempo.

Ajuste de Self Clean

La función Self Clean tiene ciclos de 3, 4 o 5 horas.

Guía de suciedad para Self Clean

Nivel de suciedad	Ajuste del ciclo
Cavidad del horno levemente sucia	Self Clean de 3 horas

Nivel de suciedad	Ajuste del ciclo
Cavidad del horno moderadamente sucia	Self Clean de 4 horas
Cavidad del horno muy sucia	Self Clean de 5 horas

- 1 Quite todos los estantes y los accesorios del horno.
- 2 Gire la perilla de modo del horno hasta seleccionar **Self Clean**. De manera predeterminada, el horno comienza la limpieza automática de cuatro horas recomendada para un horno moderadamente sucio. Presione los botones de la siguiente manera para seleccionar el tiempo de autolimpieza de 3 a 5 horas.
 - **1** : 3 horas
 - **2** : 4 horas
 - **3** : 5 horas
- 3 Presione **START**.
- 4 Una vez que se haya configurado el ciclo de autolimpieza, la puerta del horno se traba automáticamente y aparece el icono del candado . No podrá abrir la puerta del horno hasta que el horno se haya enfriado. El bloqueo se libera de manera automática cuando baja la temperatura.

⚠ PRECAUCIÓN

- No fuerce la puerta del horno para abrirla cuando vea el icono del candado. La puerta permanece trabada hasta que baja la temperatura del horno. Si abre la puerta a la fuerza, se dañará.

Configuración de Self Clean con Inicio retrasado

- 1 Quite todos los estantes y los accesorios del horno.

- 2 Gire la perilla de modo del horno hasta seleccionar **Self Clean**. De manera predeterminada, el horno comienza la limpieza automática de cuatro horas recomendada para un horno moderadamente sucio. Presione los botones de la siguiente manera para seleccionar el tiempo de autolimpieza de 3 a 5 horas.
 - 1 : 3 horas
 - 2 : 4 horas
 - 3 : 5 horas

- 3 Presione **Start Time**.

- 4 Presione los números para establecer la hora del día en la que quisiera iniciar Self Clean.

- 5 Presione **START**.

NOTA

- Es posible que deba cancelar o interrumpir el ciclo Self Clean debido a exceso de humo o la presencia de fuego en el horno. Para cancelar la función Self Clean, gire la perilla de modo del horno hasta la posición **OFF**.

Extracción y colocación de las puertas desmontables del horno

NOTA

- Las piezas pueden ser modificadas debido a la mejora del producto y pueden tener un aspecto diferente al mostrado en las imágenes.

Instrucciones para el cuidado de la puerta

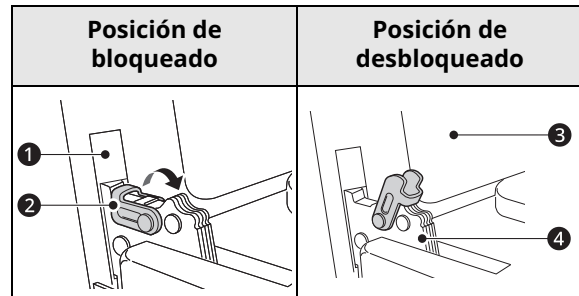
La mayoría de las puertas de los hornos contienen un vidrio que puede romperse.

⚠ PRECAUCIÓN

- No cierre la puerta del horno hasta que todos los estantes estén bien colocados en su lugar.
- No golpee el vidrio con ollas, sartenes ni con ningún otro objeto.
- Si se raya, golpea, hace vibrar o fuerza el vidrio, se puede debilitar su estructura, lo que aumenta el riesgo de rotura más adelante.

Extracción de las puertas

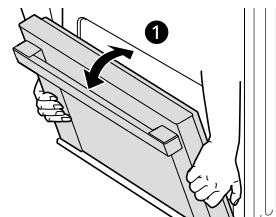
- 1 Abra la puerta totalmente.
- 2 Levante la traba de la bisagra ② y gírela completamente hacia el brazo de la bisagra ④. Repita en el otro lado.



- ① Ranura
- ② Traba de la bisagra
- ③ Marco del horno
- ④ Brazo de la bisagra

- 3 Tome firmemente ambos lados de la puerta desde la parte superior.

- 4 Cierre la puerta parcialmente a aproximadamente 5 grados ①. Si la posición es correcta, los brazos de la bisagra se moverán de manera libre.



- ① Aproximadamente 5°

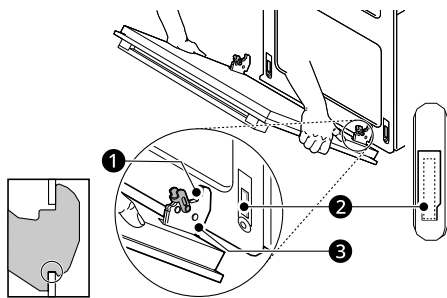
- 5 Levante la puerta y tire de ella hacia usted hasta que la cerradura de la bisagra esté completamente desprendida.

Colocación de las puertas

- 1 Tome firmemente ambos lados de la puerta desde la parte superior.

70 MANTENIMIENTO

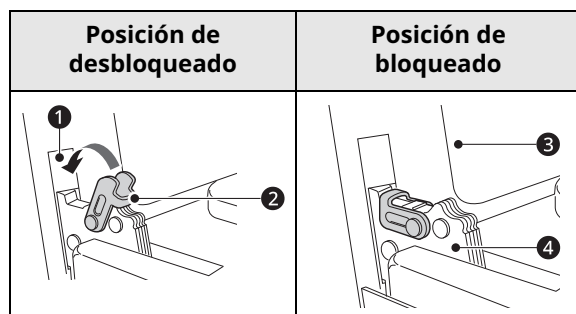
- 2** Inserte completamente los brazos de la bisagra **1** dentro de la ranura **2** hasta que las hendiduras **3** de los brazos de la bisagra se apoyen en los bordes inferiores de las ranuras.



- 1** Brazo de la bisagra
- 2** Borde inferior de la ranura
- 3** Hendidura

- 3** Lentamente abra la puerta por completo. Asegúrese de que los brazos de la bisagra estén colocados correctamente en las ranuras.

- 4** Levante la traba de la bisagra **2** y gírela hacia el horno **3** hasta que haga clic en la posición. Repita en el otro lado.



- 1** Ranura
- 2** Traba de la bisagra
- 3** Marco del horno
- 4** Brazo de la bisagra

- 5** Cierre la puerta del horno.

Extracción y colocación de cajones

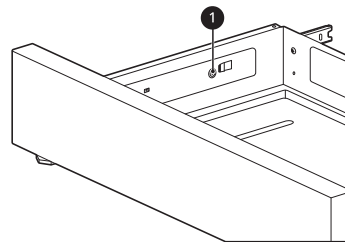
Extracción de cajones

⚠ PRECAUCIÓN

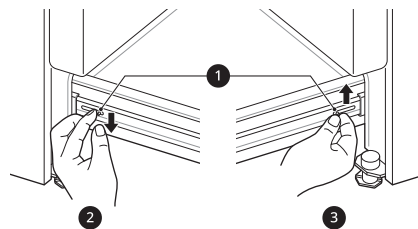
- Desconecte la energía eléctrica de la estufa del fusible principal o el panel disyuntor. Si no lo hace, podría causar lesiones graves, descargas eléctricas o la muerte.

La mayor parte de la limpieza se puede realizar con el cajón en su lugar; sin embargo, el cajón puede extraerse si se necesita realizar una limpieza adicional. Use agua caliente para limpiar a fondo.

- 1** Abra el cajón totalmente.
- 2** Desenrosque el tornillo **1** del lado de la parte posterior del cajón.



- 3** Localice las palancas de deslizamiento a ambos lados del cajón. Presione la palanca de deslizamiento izquierda hacia abajo y tire hacia arriba la palanca de deslizamiento derecha.

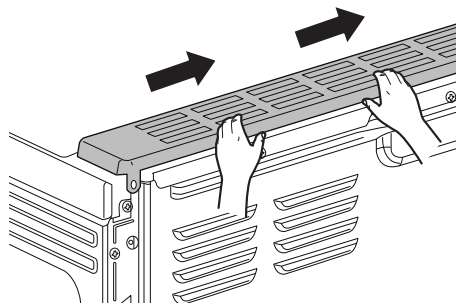


- 1** Palanca
- 2** Empuje hacia abajo con el dedo
- 3** Levante con el dedo

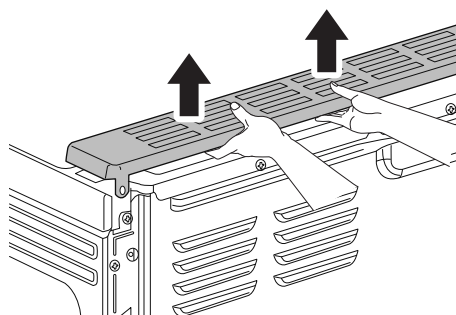
- 4** Retire el cajón de la estufa.

Colocación de los cajones

- 1 Lleve las correderas de apoyo a la parte delantera de la corredera del chasis.
- 2 Alinee las correderas de cada lado del cajón con las ranuras de las correderas de la estufa.
- 3 Empuje el cajón en la estufa hasta que las palancas hagan clic (aproximadamente 2 pulgadas).
- 4 Inserte y ajuste los tornillos en el lado de la parte posterior del cajón.
- 5 Tire nuevamente del cajón para abrirlo y encajar las correderas de apoyo en su lugar.



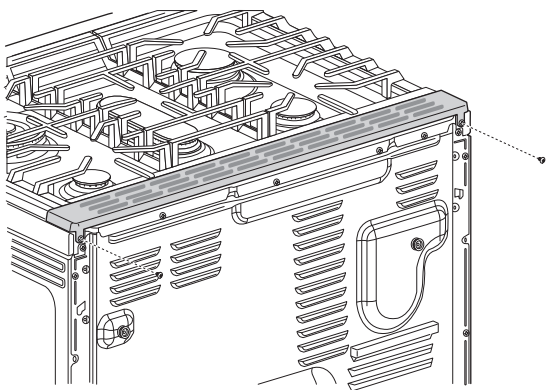
- 3 Levante la moldura de ventilación.



Extracción/montaje de la moldura de ventilación

Extracción de la moldura de ventilación

- 1 Con un destornillador, retire los dos tornillos que sujetan la moldura de ventilación en su lugar.



- 2 Mueva la moldura de ventilación en la dirección indicada aproximadamente 1/4".

Montaje de la moldura de ventilación

Coloque la moldura de ventilación en la secuencia inversa a la de su extracción.

Mantenimiento periódico

Cambio de la luz del horno

La luz del horno es una bombilla estándar halógena para electrodomésticos de 40 vatios. Se enciende cuando se abre la puerta del horno. Cuando la puerta del horno está cerrada, presione **Light** para encenderla o apagarla.

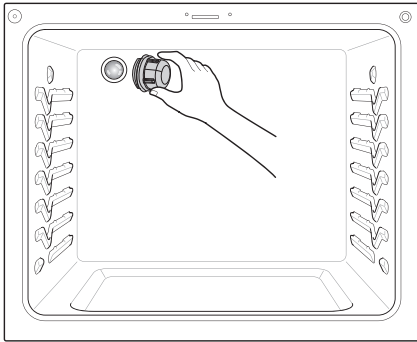
⚠ ADVERTENCIA

- Asegúrese de que el horno y la bombilla estén fríos.
- Desconecte la energía eléctrica de la estufa del fusible principal o el panel disyuntor. Si no lo hace, podría causar lesiones graves, descargas eléctricas o la muerte.

- 1 Desenchufe la estufa o desconéctela de la corriente eléctrica.

72 MANTENIMIENTO

- 2** Para quitar la tapa de vidrio de la bombilla que se encuentra en la parte trasera del horno, gírela hacia la izquierda.
- 3** Retire la bombilla halógena del enchufe.
- 4** Inserte la nueva bombilla halógena.
- 5** Inserte la tapa de vidrio de la bombilla y gírela hacia la derecha.
- 6** Enchufe la estufa o reconecte la corriente eléctrica.



SOLUCIÓN DE PROBLEMAS

Preguntas Frecuentes

Preguntas frecuentes

P: ¿Qué tipo de utensilios cocina se recomienda usar con la placa de cocción?

- R:
- Las bandejas deben tener fondo plano y laterales rectos.
 - Use solamente bandejas gruesas.
 - El tamaño de la bandeja debe coincidir con la cantidad de comida que se preparará y el tamaño de la hornalla.
 - Use tapas herméticas.
 - Use solamente woks de fondo plano.

P: Mi nuevo horno no cocina como el que tenía antes. ¿Hay algún problema con los ajustes de temperatura?

- R: No, su horno se probó y calibró en la fábrica. Durante los primeros usos, siga cuidadosamente los tiempos y las temperaturas de su receta. Si todavía piensa que el horno nuevo se calienta o enfría demasiado, puede ajustar su temperatura para adecuarla a sus necesidades específicas de cocción. Consulte la sección "Cambio de configuración del horno" de este manual para obtener instrucciones fáciles sobre cómo ajustar el termostato.

P: ¿Es normal que se escuche un chasquido que proviene de la parte trasera del horno cuando lo uso?

- R: Su nueva estufa está diseñada para mantener un control más estricto de la temperatura del horno. Es posible que escuche los elementos calentadores del horno hacer un chasquido al encenderse y apagarse con más frecuencia en su horno nuevo. Esto es NORMAL.

P: ¿Por qué parpadea el reloj?

- R: Esto significa que el producto acaba de enchufarse o que hubo una interrupción del suministro eléctrico. Para eliminar el parpadeo del reloj, toque cualquier botón o reinicie el reloj si es necesario.

P: Durante la cocción por convección, el ventilador se detiene cuando abro la puerta. ¿Es normal?

- R: Sí, es normal. Cuando se abre la puerta, el ventilador de convección se detiene hasta que se cierra la puerta.

P: ¿Puedo usar papel de aluminio para que recolecte el goteo en la cavidad del horno?

- R: Nunca utilice papel de aluminio para revestir la base o los costados del horno o el cajón calentador (en algunos modelos). El papel se derretirá y se pegará a la superficie del fondo del horno y no se podrá quitar. En lugar de eso, coloque una bandeja forrada con papel de aluminio sobre un estante inferior del horno y úsela para recolectar las gotas. (Si ya se ha derretido papel de aluminio en el fondo del horno, esto no interferirá con el rendimiento del horno).

P: ¿Puedo usar papel de aluminio en los estantes?

- R: No cubra los estantes con papel de aluminio. Cubrir estantes por completo con papel de aluminio restringe el flujo de aire, generando resultados de cocción deficientes. Coloque una bandeja cubierta con papel de aluminio debajo de tartas de frutas u otros alimentos ácidos o dulces para evitar que los derrames dañen el acabado del horno.

74 SOLUCIÓN DE PROBLEMAS

PRECAUCIÓN

- Se puede utilizar papel de aluminio para envolver los alimentos dentro del horno o el cajón de calentamiento, pero no permita que el papel de aluminio entre en contacto con los elementos calentadores o asaderas del horno expuestos. El papel de aluminio podría derretirse o prenderse fuego, lo que ocasionaría humo, incendio o lesiones.

P: ¿Puedo dejar los estantes en el horno cuando ejecute un ciclo de autolimpieza? (En algunos modelos)

R: No. Aunque no dañará los estantes, esto los decolorará y no se deslizarán bien cuando los use. Quite todos los elementos del horno antes de comenzar un ciclo de autolimpieza.


P: ¿Qué debo hacer si los estantes están pegajosos y es difícil deslizarlos hacia dentro y hacia fuera?

R: Con el tiempo, se puede hacer difícil deslizar los estantes. Aplique una pequeña cantidad de aceite de oliva en los extremos de los estantes. Este actuará como lubricante para un mejor deslizamiento.

P: ¿Qué debo hacer para quitar manchas difíciles de la placa de cocción?

R: La placa de cocción debe limpiarse después de cada uso para evitar que queden manchas permanentes. Cuando cocine alimentos con alto contenido de azúcar, como salsa de tomate, se recomienda limpiar la mancha con una espátula mientras la placa de cocción todavía esté tibia. Use un guante para horno cuando raspe para evitar quemarse. Consulte la sección "MANTENIMIENTO" del presente manual del propietario para obtener más instrucciones.

P: ¿Por qué no se pueden operar los botones de función?

R: Asegúrese de que la estufa no esté en modo Bloqueo de Control/Bloqueo. El icono del candado  aparecerá en la pantalla si el modo Bloqueo de Control/Bloqueo está activado. Para desactivarlo, consulte la sección "Bloqueo de Control/Bloqueo". Suena la melodía de desbloqueo y aparece **Loc** en la pantalla hasta que los controles se desbloquean.

P: Mi estufa todavía está sucia después de ejecutar el ciclo EasyClean. ¿Qué más debo hacer?

R: El ciclo EasyClean solo ayuda a aflojar la suciedad leve de la estufa para ayudar en la limpieza manual del horno. No quita automáticamente toda la suciedad después del ciclo. Es posible que necesite fregar la estufa después de haber ejecutado el ciclo EasyClean.

P: Probé fregar el horno después de ejecutar EasyClean, pero queda suciedad. ¿Qué puedo hacer?

R: La función EasyClean tiene un mejor resultado cuando la suciedad se empapa y sumerge totalmente en agua antes de ejecutar el ciclo y durante la limpieza manual. Si la suciedad no está muy empapada en agua, puede tener un efecto negativo sobre el desempeño de la limpieza. Repita el proceso EasyClean utilizando suficiente agua.

- Para modelos con función Self Clean:

La suciedad de azúcar y algunos residuos grasos son particularmente difíciles de limpiar. Si queda alguna suciedad rebelde, use la función Self Clean para limpiar bien el horno.

P: La suciedad de las paredes del horno no sale. ¿Cómo puedo dejar limpias las paredes?

R: La suciedad en las paredes laterales y traseras de su estufa con horno puede resultar más difícil de empapar totalmente con agua. Intente repetir el proceso EasyClean con más de ¼ de taza (2 oz o 60 ml) del producto recomendado.

P: ¿EasyClean quita toda la suciedad y las manchas por completo?

- R: Depende del tipo de suciedad. Las manchas de azúcar y algunas de grasa son particularmente difíciles de limpiar. Además, si las manchas no están muy empapadas en agua, esto puede tener un efecto negativo en el desempeño de la limpieza.
- Para modelos con función Self Clean:
Si todavía quedan manchas rebeldes o acumulación, use la función Self Clean. Consulte la sección Self Clean (Autolimpieza) del manual del propietario.
- P: ¿Hay algún truco para eliminar algo de la suciedad rebelde?**
- R: Se recomienda raspar la suciedad con un raspador plástico antes de limpiar manualmente y mientras limpia. También se recomienda saturar por completo con agua la suciedad.
- Para modelos con función Self Clean:
Sin embargo, hay suciedad que es más difícil de limpiar que otra. Para la suciedad rebelde, se recomienda usar el ciclo Self Clean. Consulte la sección Self Clean (Autolimpieza) del manual del propietario para obtener más detalles.
- P: ¿Es seguro que el ventilador de convección o el elemento calentador se mojen durante la función EasyClean?**
- R: Sí. Tanto el ventilador de convección como el elemento calentador pueden mojarse un poco durante la limpieza. Sin embargo, no es necesario aplicar un rocío directo sobre el quemador del asador ni los elementos calentadores porque se limpian automáticamente durante el uso regular.
- P: ¿Debo usar toda el agua 1 ¼ taza (10 oz o 300 ml) para la función EasyClean?**
- R: Sí. Se recomienda encarecidamente rociar o verter 1 taza (8 oz o 240 ml) de agua en la base y otro ¼ de taza (2 oz o 60 ml) de agua en las paredes y otras áreas sucias para saturar por completo la suciedad a fin de lograr un mejor resultado de la limpieza.
- P: Veo humo que sale de las ventilaciones de la placa de cocción de la estufa durante la función EasyClean. ¿Es normal?**
- R: Esto es normal. No es humo. En realidad es vapor del agua que está en la cavidad del horno. Cuando el horno se calienta brevemente durante la función EasyClean, el agua de la cavidad se evapora y sale por las ventilaciones del horno.
- P: ¿Con qué frecuencia debo usar EasyClean?**
- R: EasyClean se puede usar las veces que desee. EasyClean funciona mejor cuando el horno está LEVEMENTE sucio, por ejemplo, con salpicaduras de grasa LEVES y gotitas de queso. Consulte la sección EasyClean del manual del propietario para obtener más información.
- P: ¿Qué se necesita para EasyClean?**
- R: Un envase rociador con 1 ¼ taza (10 oz o 300 ml) de agua, un raspador plástico, una esponja que no raye y una toalla. No debe usar esponjas abrasivas como las de trabajo pesado ni lana de acero.
- P: ¿Cómo puedo mantener la seguridad de los niños alrededor de la estufa?**
- R: Los niños deben estar bajo supervisión cuando estén alrededor de la estufa en uso y hasta que las superficies se hayan enfriado. También puede usar la función de Bloqueo de Control/Bloqueo para evitar que los niños enciendan accidentalmente la placa de cocción o el horno. La función de Bloqueo de Control/Bloqueo desactiva la mayoría de los botones del panel de control y las perillas de control de la placa de cocción. En algunos modelos, también se puede trabar la puerta del horno. Consulte la sección "Bloqueo de Control/Bloqueo" del manual del propietario para obtener más detalles. (En modelos sin la opción de Self Clean (Autolimpieza), la función de Bloqueo de Control/Bloqueo bloquea los controles, pero no traba la puerta del horno).
- P: La tercera perilla desde la derecha no enciende. ¿Es normal? (En algunos modelos)**
- R: Es normal. Su estufa está diseñada para encender solo 5 perillas de quemadores.
- P: ¿Por qué no está funcionando Instaview? (En algunos modelos)**

76 SOLUCIÓN DE PROBLEMAS

R: Nivele la estufa ajustando las patas de nivelación con una llave.

Antes de llamar al servicio técnico

Revise esta sección antes de llamar para servicio; hacerlo le ahorrará tiempo y dinero.

Para obtener información detallada o videos, visite www.lg.com para consultar la página de resolución de problemas.

Cocción

Problemas	Causas posibles y solución
Los quemadores superiores no encienden o no queman de forma pareja.	El enchufe no está insertado completamente. <ul style="list-style-type: none"> Verifique que el enchufe eléctrico esté conectado a un tomacorriente con tensión y con la adecuada conexión a tierra.
	El área del electrodo no está limpia. <ul style="list-style-type: none"> Quite los quemadores y límpielos. Revise el área de los electrodos en búsqueda de alimentos o grasa quemada. Consulte "Limpieza de tapas/cabezales del quemador" en el capítulo MANTENIMIENTO.
	Las piezas del quemador no están bien instaladas. <ul style="list-style-type: none"> Asegúrese de que las piezas del quemador estén bien instaladas. Consulte "Retiro y colocación de los quemadores de superficie de gas" en el capítulo MANTENIMIENTO.
Los quemadores no encienden correctamente después de limpiar la superficie de la placa de cocción.	Los cabezales y tapas del quemador no están completamente secos ni ubicados de manera correcta. <ul style="list-style-type: none"> Asegúrese de que los cabezales y las tapas de los quemadores estén completamente secos y ubicados de manera correcta.
Las llamas del quemador son muy altas o amarillas.	Puede ser debido a una mala instalación o configuración de la estufa. <ul style="list-style-type: none"> Si la estufa está conectada a gas LP, comuníquese con el técnico que instaló la estufa o que realizó la conversión.
Los quemadores de la superficie se encienden, pero el horno no lo hace.	La válvula de corte no está completamente abierta. <ul style="list-style-type: none"> Asegúrese de que la válvula de corte de gas del horno, ubicada detrás de la estufa, esté completamente abierta.
Los alimentos no se hornean o rostizan correctamente	Los controles del horno no se configuraron correctamente. <ul style="list-style-type: none"> Consulte la sección "Horno" en el capítulo Funcionamiento.
	La posición del estante es incorrecta o está mal nivelado. <ul style="list-style-type: none"> Consulte la sección "Horno" en el capítulo Funcionamiento.
	Se está utilizando un utensilio de cocina incorrecto o de un tamaño inapropiado. <ul style="list-style-type: none"> Consulte la sección "Horno" en el capítulo Funcionamiento.
	El termostato del horno debe ajustarse. <ul style="list-style-type: none"> Consulte la sección "Calibración de la temperatura del horno" en el capítulo Funcionamiento.
	El reloj no está configurado correctamente. <ul style="list-style-type: none"> Consulte "Cambio de configuración del horno" en el capítulo "FUNCIONAMIENTO".
	Se usó papel de aluminio de manera inapropiada en el horno. <ul style="list-style-type: none"> Consulte "Uso de los estantes del horno" en la sección Horno.


Problemas	Causas posibles y solución
Los alimentos no se asan de manera adecuada	Los controles del horno no se configuraron correctamente. <ul style="list-style-type: none"> Asegúrese de seleccionar el modo Broil correctamente.
	Se está usando una posición de estante inadecuada. <ul style="list-style-type: none"> Consulte la Guía de asado.
	Los utensilios de cocina no son los adecuados para asar. <ul style="list-style-type: none"> Use la asadera y la rejilla.
	La puerta del horno no está cerrada. <ul style="list-style-type: none"> Consulte "Asar" en el capítulo FUNCIONAMIENTO.
	El papel metálico que se utiliza en la asadera y la rejilla no se colocó de manera correcta y no se realizaron los cortes recomendados. <ul style="list-style-type: none"> Consulte la sección "Horno" en el capítulo Funcionamiento.
La temperatura del horno es demasiado alta o baja	Se debe ajustar el sensor del horno. <ul style="list-style-type: none"> Consulte la sección "Calibración de la temperatura del horno" en el capítulo Funcionamiento.
Hay demasiado humo durante el ciclo SelfClean (En algunos modelos)	Suciedad excesiva. <ul style="list-style-type: none"> Apague la función SelfClean. Abra las ventanas para que salga el humo. Espere hasta que se cancele el modo de autolimpieza. Limpie el exceso de suciedad y vuelva a configurar el ciclo de limpieza.
Un olor a quemado o a aceite sale de la ventilación	Esto es normal en un horno nuevo. <ul style="list-style-type: none"> Desaparecerá con el tiempo. Para acelerar el proceso, configure un ciclo Self Clean durante un mínimo de 3 horas. Consulte la sección Self Clean (Autolimpieza). (En algunos modelos)
El horno no funciona	El enchufe de la estufa no está introducido completamente en el tomacorriente. <ul style="list-style-type: none"> Verifique que el enchufe eléctrico esté conectado a un tomacorriente con tensión y adecuada conexión a tierra.
	Es posible que se haya quemado un fusible o saltado el disyuntor de la vivienda. <ul style="list-style-type: none"> Reemplace el fusible o reinicie el disyuntor.
	Los controles del horno no se configuraron correctamente. <ul style="list-style-type: none"> Consulte la sección "Horno" en el capítulo Funcionamiento.
	El horno está demasiado caliente. <ul style="list-style-type: none"> Deje enfriar el horno por debajo de la temperatura de bloqueo.
Sale vapor a través de la ventilación del horno.	Cocinar comidas muy húmedas produce vapor. <ul style="list-style-type: none"> Esto es normal.
El aparato no funciona.	El cable no está enchufado correctamente. <ul style="list-style-type: none"> Asegúrese de que el cable esté enchufado correctamente al tomacorriente. Verifique los disyuntores.
	El cableado de servicio no está completo. <ul style="list-style-type: none"> Comuníquese con un electricista para obtener ayuda.
	Corte de energía. <ul style="list-style-type: none"> Controle las luces de la vivienda para asegurarse. Llame a la compañía de servicio eléctrico local para recibir mantenimiento.
El horno hace demasiado humo durante el asado.	El control no está configurado correctamente. <ul style="list-style-type: none"> Siga las instrucciones de Configuración de los controles del horno.

78 SOLUCIÓN DE PROBLEMAS

Problemas	Causas posibles y solución
El horno hace demasiado humo durante el asado.	La carne se encuentra muy cerca del elemento. <ul style="list-style-type: none"> • Cambie la posición del estante para dejar un espacio adecuado entre la carne y el elemento. Precaliente el elemento de asado para sellar los jugos.
	No se ha preparado bien la carne. <ul style="list-style-type: none"> • Quite el exceso de grasa de la carne. Corte los costados restantes de grasa para evitar que se enrulen.
	La asadera está mal colocada y no se escurre la grasa. <ul style="list-style-type: none"> • Siempre coloque la rejilla sobre la asadera con las estrías hacia arriba y las ranuras hacia abajo para que la grasa caiga dentro de la asadera.
	Se ha acumulado grasa en las superficies del horno. La grasa antigua o las salpicaduras de comida provocan humo excesivo. <ul style="list-style-type: none"> • Es necesaria una limpieza regular cuando se asa frecuentemente.
Se junta humedad en la ventana del horno o sale vapor de la ventilación del horno	Esto sucede al cocinar alimentos muy húmedos. <ul style="list-style-type: none"> • Esto es normal.
	Se usó demasiada agua para limpiar la ventana. <ul style="list-style-type: none"> • No use demasiada agua para limpiar la ventana.

Partes y Características

Problemas	Causas posibles y solución
El reloj y el temporizador no funcionan.	El enchufe no está insertado completamente. <ul style="list-style-type: none"> • Asegúrese de que el enchufe esté conectado a un tomacorriente con tensión y adecuada conexión a tierra. Reemplace el fusible o reinicie el disyuntor.
	Configuración de control del horno inadecuada <ul style="list-style-type: none"> • Consulte "Cambio de configuración del horno" en el capítulo "FUNCIONAMIENTO".
La luz del horno no funciona.	Es hora de reemplazar la bombilla o la bombilla está floja. <ul style="list-style-type: none"> • Reemplace o ajuste la bombilla. Consulte la sección "Cambio de la luz del horno" en el Manual del Propietario.
	El enchufe de la estufa no está introducido completamente en el tomacorriente. <ul style="list-style-type: none"> • Verifique que el enchufe eléctrico esté conectado a un tomacorriente con tensión y adecuada conexión a tierra.
El horno no realiza Self Clean. (En algunos modelos)	La temperatura del horno es demasiado elevada para establecer la operación Self Clean. <ul style="list-style-type: none"> • Deje enfriar la estufa y reinicie los controles.
	Los controles del horno no se configuraron correctamente. <ul style="list-style-type: none"> • Consulte la sección Self Clean (Autolimpieza).
	No se puede iniciar un ciclo Self Clean (Autolimpieza) si está activa la función Bloqueo de Control/Bloqueo del horno. <ul style="list-style-type: none"> • Consulte "Bloqueo de Control/Bloqueo" en la sección "Cambio de configuración del horno".
La puerta del horno no se abre después de un ciclo Self Clean (En algunos modelos)	El horno está demasiado caliente. <ul style="list-style-type: none"> • Deje enfriar el horno por debajo de la temperatura de bloqueo.

Problemas	Causas posibles y solución
La puerta del horno no se abre después de un ciclo Self Clean (En algunos modelos)	<p>El control y la puerta pueden estar bloqueados.</p> <ul style="list-style-type: none"> Deje enfriar el horno durante aproximadamente una hora después de completar un ciclo Self Clean. Puede abrir la puerta cuando desaparezca el candado .
El horno no está limpio después de un ciclo Self Clean (En algunos modelos)	<p>Los controles del horno no se configuraron correctamente.</p> <ul style="list-style-type: none"> Consulte la sección Self Clean (Autolimpieza).
	<p>El horno está muy sucio.</p> <ul style="list-style-type: none"> Limpie los derrames difíciles antes de iniciar el ciclo de limpieza. Es posible que los hornos con suciedad difícil necesiten otro ciclo Self Clean o durante más tiempo.
CLEAN (LIMPIAR) y la puerta parpadean en la pantalla (En algunos modelos)	<p>Se ha seleccionado el ciclo Self Clean, pero la puerta no está cerrada.</p> <ul style="list-style-type: none"> Cierre la puerta del horno.
Aparece "Loc" en pantalla cuando quiere cocinar (En algunos modelos)	<p>El horno está bloqueado por la función Bloqueo de Control/Bloqueo.</p> <ul style="list-style-type: none"> Desactive la función Bloqueo de Control/Bloqueo.
El control del horno suena y aparece un código de error F.	<p>El control electrónico detectó una condición de falla.</p> <ul style="list-style-type: none"> Desconecte la estufa de la corriente eléctrica durante cinco minutos y luego reconéctela. Si el código de error de la función se repite, solicite mantenimiento. <ul style="list-style-type: none"> [Caso 1] Código: F-3 Causa: clave de error de cortocircuito [Caso 2] Código: F-9 Causa: el horno no calienta Revise la válvula de corte de gas principal o la válvula de corte de gas del horno y solicite mantenimiento.
El control del horno aparece código de error 'Sb', '5b', 'S6', '56'.	<p>Este código no es un código de error. Indica que el modo Sabbath 5b del producto está activado.</p> <ul style="list-style-type: none"> Consulte la sección "Uso del Modo Sabbath" en el capítulo Funcionamiento.
Los estantes del horno se limpiaron en un ciclo Self Clean. (En algunos modelos)	<p>Los estantes brillantes color plateado se limpiaron en un ciclo Self Clean.</p> <ul style="list-style-type: none"> Aplique una pequeña cantidad de aceite vegetal en una toalla de papel y limpie los bordes de los estantes del horno con ella. No utilice rociadores lubricantes.
Los dos puntos del reloj parpadean	<p>Esto significa que el producto se ha enchufado recién o que se ha interrumpido el suministro eléctrico.</p> <ul style="list-style-type: none"> Esto es normal. Reinicie el reloj y cualquier función de cocción.
Se puede ver una luz a través de las ventilaciones de aire del horno.	<p>Al ejecutar la función Asar, es normal ver una luz entre las ventilaciones de aire del horno.</p> <ul style="list-style-type: none"> Esto es normal.
La estufa no está nivelada.	<p>Instalación deficiente.</p> <ul style="list-style-type: none"> Coloque el estante en el centro del horno. Ubique un nivelador en el estante. Ajuste las patas niveladoras en la base de la estufa hasta que el estante del horno esté nivelado. Asegúrese de que el piso esté nivelado y que sea lo suficientemente firme y estable para soportar la estufa de manera adecuada. Si el piso está hundido o en pendiente, comuníquese con un carpintero para corregir la situación.

80 SOLUCIÓN DE PROBLEMAS

Problemas	Causas posibles y solución
La estufa no está nivelada.	La alineación del gabinete de la cocina puede hacer que la estufa parezca desnivelada. <ul style="list-style-type: none"> Asegúrese de que los gabinetes sean cuadrados y tengan espacio suficiente para la estufa.
No se puede mover el aparato con facilidad. El aparato debe estar accesible para el mantenimiento.	Los gabinetes no son cuadrados o están instalados muy justos. <ul style="list-style-type: none"> Comuníquese con el fabricante o instalador para hacer que el aparato sea accesible.
	La alfombra interfiere con la estufa. <ul style="list-style-type: none"> Deje espacio suficiente para elevar la estufa sobre la alfombra.
	Dispositivo antivuelco conectado. <ul style="list-style-type: none"> Desinstale el dispositivo antivuelco para mover la estufa y vuelva a conectarlo después de sacar la estufa para la limpieza, el mantenimiento o cualquier otro motivo.
El ventilador de convección se detiene. (Durante el modo Horneado por convección)	El ventilador de convección se detiene durante un ciclo de horneado por convección. Esto sucede para lograr un calor más parejo durante el ciclo. <ul style="list-style-type: none"> No es una falla de la estufa y debe considerarse un funcionamiento normal.
Funcionamiento del ventilador (Durante el modo Horneado)	Esto se realiza para garantizar resultados uniformes de horneado. <ul style="list-style-type: none"> Es normal que el ventilador funcione periódicamente durante un ciclo normal de horneado en el horno.

Ruidos

Problemas	Causas posibles y solución
Ruido de crujidos o chasquidos	Es el sonido del metal calentándose y enfriándose durante las funciones de cocción y autolimpieza. <ul style="list-style-type: none"> Esto es normal.
Ruido del ventilador	Un ventilador de convección puede encenderse y apagarse automáticamente. <ul style="list-style-type: none"> Esto es normal.
Al encender un solo quemador, se oye un sonido de clic en todos los quemadores.	Los encendedores con chispa eléctrica de los quemadores hacen un sonido de clic. Todos los encendedores de chispa de la placa de cocción se activarán cuando se encienda solo un quemador. <ul style="list-style-type: none"> Esto es normal.

Wi-Fi

Problemas	Causas posibles y solución
Problemas para conectar el electrodoméstico y el teléfono inteligente a la red Wi-Fi	La contraseña para la red Wi-Fi se introdujo de forma incorrecta. <ul style="list-style-type: none"> Elimine la red Wi-Fi doméstica y comience el proceso de conexión una vez más.
	Los Datos Móviles para su teléfono inteligente están activados. <ul style="list-style-type: none"> Desactive la Red Móvil en su teléfono inteligente antes de conectar el electrodoméstico.
	El nombre de la red inalámbrica (SSID) se ha configurado incorrectamente. <ul style="list-style-type: none"> El nombre de la red inalámbrica (SSID) debe ser una combinación de letras y números. (No utilice símbolos especiales)

Problemas	Causas posibles y solución
Problemas para conectar el electrodoméstico y el teléfono inteligente a la red Wi-Fi	La frecuencia del enrutador no es de 2.4 GHz. <ul style="list-style-type: none">• Sólo se admite una frecuencia de enrutador de 2.4 GHz. Configure el enrutador inalámbrico a 2.4 GHz y conecte el electrodoméstico a éste. Para verificar la frecuencia del enrutador, consulte con su proveedor de servicios de internet o con el fabricante del enrutador.
	El electrodoméstico y el enrutador están demasiado alejados. <ul style="list-style-type: none">• Si el electrodoméstico se encuentra muy lejos del enrutador, puede que la señal sea débil y que la conexión no sea configurada correctamente. Coloque el enrutador más cerca del electrodoméstico o compre e instale un repetidor Wi-Fi.
	Durante la configuración de Wi-Fi, la aplicación requiere una contraseña para conectar el producto (en determinados teléfonos). <ul style="list-style-type: none">• Ubique el nombre de la red que comienza con "LG" en Configuración > Redes. Anote la última parte del nombre de la red.<ul style="list-style-type: none">- Si el nombre de la red se asemeja a LGE_Appliance_XX-XX-XX, ingrese lge12345.- Si el nombre de la red se asemeja a LGE_Appliance_XXXX, ingrese XXXX dos veces como su contraseña. Por ejemplo, si el nombre de la red aparece como LGE_Appliance_8b92, debería ingresar 8b928b92 como su contraseña. En esta instancia, la contraseña detecta mayúsculas y minúsculas, y los últimos 4 caracteres son únicos a su electrodoméstico.

GARANTÍA LIMITADA

EE. UU.

TÉRMINOS Y CONDICIONES

AVISO DE ARBITRAJE: ESTA GARANTÍA LIMITADA CONTIENE UNA CLÁUSULA DE ARBITRAJE QUE LE DEMANDA A USTED Y A LG ELECTRONICS (“LG”) RESOLVER CONFLICTOS A TRAVÉS DE UN ARBITRAJE VINCULANTE EN LUGAR DE HACERLO EN EL TRIBUNAL, A MENOS QUE USTED DECIDA NO PARTICIPAR. EN EL ARBITRAJE, NO ESTÁN PERMITIDAS LAS ACCIONES COLECTIVAS NI LOS JUICIOS CON JURADO. VEA A CONTINUACIÓN LA SECCIÓN “PROCEDIMIENTO PARA RESOLVER CONFLICTOS”.

Si su Estufa de gas LG (“Producto”) fallara debido a defectos de materiales o fabricación en el uso doméstico normal y correcto, durante el período de garantía que se establece a continuación, LG reparará o reemplazará el Producto, según su criterio. Esta garantía limitada solo es válida para el comprador minorista original del Producto (“Usted”), y solo se aplica cuando la compra es legal y se utiliza dentro de los Estados Unidos, incluidos los territorios estadounidenses.

Período de garantía	Alcance de la garantía	CÓMO SE MANEJA EL SERVICIO
Un (1) año a partir de la fecha original de la compra minorista	Piezas y mano de obra (solo piezas internas / funcionales)	LG suministrará toda la mano de obra y el mantenimiento a domicilio sin cargo para reemplazar las piezas defectuosas.

- Los productos y las piezas de repuesto están cubiertos durante el tiempo restante del período original de garantía o noventa (90) días, lo que resulte mayor.
- Los productos y las piezas de repuesto pueden ser nuevos, reparados, reacondicionados o reconstruidos por la fábrica.
- Los productos o las piezas reemplazadas serán propiedad de LG.
- Es necesario presentar prueba de la compra minorista especificando el modelo del Producto y la fecha de compra para obtener el servicio de garantía conforme a la presente garantía limitada.

SALVO LO PROHIBIDO POR LA LEY, TODA GARANTÍA DE COMERCIALIZACIÓN O IDONEIDAD IMPLÍCITA, PARA UN PROPÓSITO PARTICULAR EN EL PRODUCTO, ESTÁ LIMITADA A LA DURACIÓN DE LA GARANTÍA ARRIBA EXPRESADA. BAJO NINGUNA CIRCUNSTANCIA DEBERÁ LG O SUS DISTRIBUIDORES/REPRESENTANTES SER RESPONSABLE POR CUALQUIER DAÑO INDIRECTO, INCIDENTAL, CONSECUENTE, ESPECIAL, O PUNITIVO, LO CUAL INCLUYE PERO NO SE LIMITA A, PÉRDIDA DE FONDOS DEL COMERCIO, GANANCIAS PERDIDAS, INTERRUPCIÓN DEL TRABAJO, DETERIORO DE OTROS BIENES, COSTO DE REMOVER Y REINSTALAR EL PRODUCTO, PÉRDIDA DE USO, O CUALQUIER OTRO DAÑO YA SEA BASADO EN CONTRATO, PERJUICIO, U OTROS. LA RESPONSABILIDAD TOTAL DE LG, EN CASO EXISTA, NO EXCEDERÁ EL PRECIO QUE USTED PAGÓ POR ADQUIRIR EL PRODUCTO.

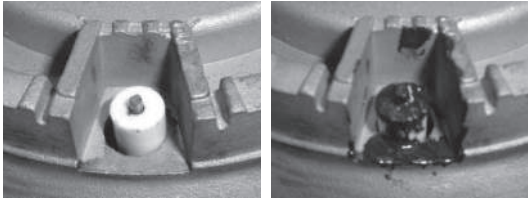
ALGUNOS ESTADOS NO PERMITEN LA EXCLUSIÓN O LIMITACIÓN DE DAÑOS INCIDENTALES O EMERGENTES, O LIMITACIONES A LA DURACIÓN DE LA GARANTÍA IMPLÍCITA, POR LO QUE LA EXCLUSIÓN O LIMITACIÓN ANTERIORMENTE MENCIONADA PODRÍAN NO CORRESPONDER EN SU CASO. ESTA GARANTÍA LIMITADA LE OTORGA DERECHOS LEGALES ESPECÍFICOS Y ES POSIBLE QUE USTED CUENTE CON OTROS DERECHOS QUE VARÍAN SEGÚN EL ESTADO.

ESTA GARANTÍA LIMITADA NO CUBRE LO SIGUIENTE:

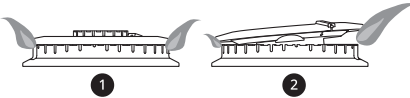
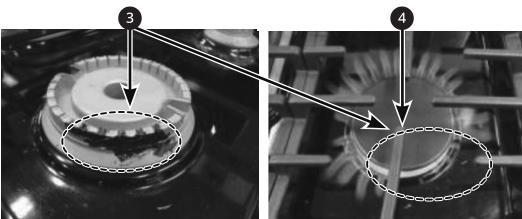
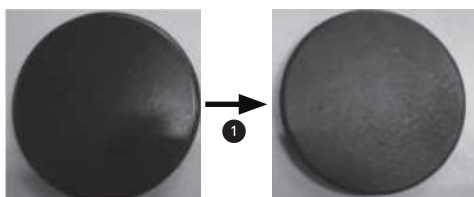

- Viajes del servicio técnico para entregar, buscar o instalar el producto, instruir al cliente sobre la operación del mismo, corregir el cableado o las reparaciones/instalaciones no autorizadas.
- Daño o fallo del producto al operar durante fallas e interrupciones del suministro eléctrico, o resultado de un servicio eléctrico inadecuado.
- Daños o fallos del Producto causados por tuberías de agua rotas o con fugas, tuberías de agua congeladas, líneas de desagüe obstruidas, suministro de agua inadecuado o interrumpido, o suministro de aire inadecuado.


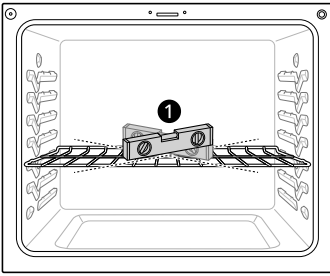
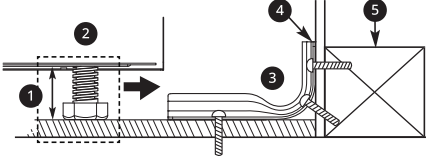
- Daño o fallo del producto resultantes de operar el producto en una atmósfera corrosiva o contraria a las instrucciones detalladas en el manual del propietario del producto.
- Daños o fallos del producto causados por accidentes, pestes y alimañas, rayos, viento, incendio, inundaciones, hechos de fuerza mayor, o cualquier otra causa fuera del control de LG.
- Daños o fallos del Producto causados por modificaciones o alteraciones no autorizadas, o por utilizar el Producto para fines distintos de lo previsto, o pérdida de agua cuando el Producto no se instaló adecuadamente.
- Daños o fallos del Producto causados por corriente eléctrica o voltaje incorrectos, o códigos de cañería.
- Daños o fallos del producto causados por el transporte, almacenamiento y/o manejo, incluye rayas, muescas, astillados y/u otros daños al acabado del producto, a menos que tales daños se informen dentro del plazo de una (1) semana de la entrega.
- Daños o fallos del producto resultantes de mal uso, abuso, instalación, reparación o mantenimiento incorrectos. Una reparación incorrecta incluye el uso de piezas no autorizadas, aprobadas o especificadas por LG. La instalación o el mantenimiento inadecuados incluye aquellos contrarios a lo especificado en el manual del usuario del producto.
- Daños o fallos del Producto causados por el uso de piezas, componentes, accesorios, productos de limpieza consumibles, u otros productos o servicios no autorizados por LG.
- Daños o artículos faltantes con la caja abierta o que hayan estado en exhibición.
- Productos reacondicionados o cualquier producto vendido con los avisos "En el estado actual", "En el sitio actual", "Con todos sus defectos" o similares.
- Productos cuyos números de serie originales hayan sido retirados, alterados o no se puedan determinar fácilmente.
- Aumentos en los costos de los servicios públicos y otros gastos adicionales de dichos servicios.
- Cualquier ruido asociado con la operación normal.
- Productos utilizados de otra forma que no sea uso doméstico usual y normal (p. ej., uso comercial o industrial) o de forma contraria al manual del usuario del Producto.
- Costos asociados con la remoción y reinstalación del Producto para reparaciones o la remoción y reinstalación del Producto si está instalado en una ubicación inalcanzable o no está instalado de acuerdo con el Manual del propietario del producto.
- Accesorios, componentes extraíbles o partes consumibles (por ejemplo, estantes, compartimentos de la puerta, cajones, filtros de agua o aire, rejillas, bombillas, baterías, etc. según corresponda), excepto las partes internas/funcionales cubiertas por esta garantía limitada.
- Costo de la conversión del producto de gas natural a gas LP o viceversa.

Esta garantía limitada no cubre

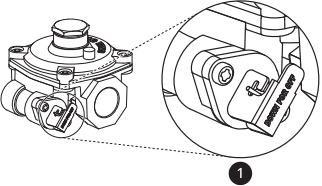
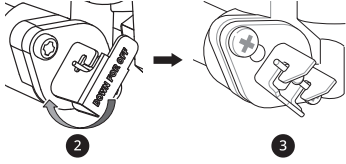
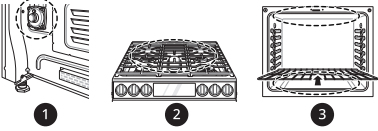
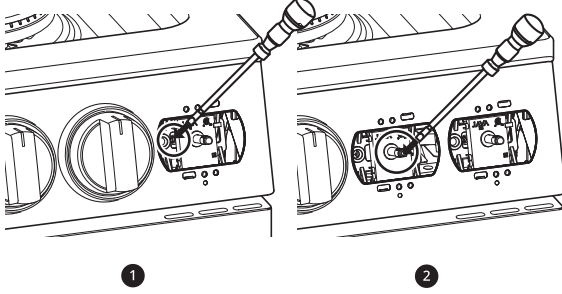
Problema	Posible causa y prevención
<p>Los quemadores no encienden.</p>	<p>Los puertos o electrodos del quemador que estén sucios u obstruidos impedirán el funcionamiento correcto del quemador.</p> <div style="text-align: center;">  </div> <p> 1 ACEPTAR 2 No funciona (debe limpiarse) </p> <ul style="list-style-type: none"> • Revise y limpie el electrodo de gas.

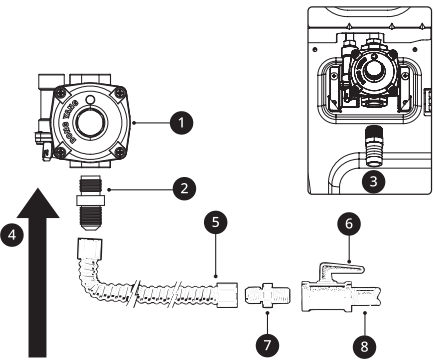
84 GARANTÍA LIMITADA

Problema	Posible causa y prevención
<p>Llama desigual</p>	<p>Instalación incorrecta de la tapa del quemador</p>  <p> 1 La cabeza del quemador está asentada adecuadamente. 2 La cabeza del quemador NO está asentada adecuadamente. </p> <ul style="list-style-type: none"> • Revise la instalación de la cabeza y la tapa del quemador. <p>Los puertos del quemador están obstruidos con restos de alimentos</p>  <p> 3 Los puertos están bloqueados por suciedad 4 Llamas desiguales </p> <ul style="list-style-type: none"> • Los residuos endurecidos deben removerse con un cepillo de dientes.
<p>La tapa del quemador cambió de color y perdió brillo</p>	<p>Rayas</p> <ul style="list-style-type: none"> • No use esponjas metálicas ni limpiadores abrasivos. <p>Uso de detergente o limpiadores abrasivos</p> <ul style="list-style-type: none"> • Para remover los alimentos quemados, sumerja los cabezales de los quemadores en agua caliente durante 20 a 30 minutos. (No use detergente)  <p>1 Se pierde el brillo.</p>
<p>Perillas derretidas</p>	<p>Uso inadecuado</p>  <ul style="list-style-type: none"> • No deje la puerta en la posición de detención durante del modo Asar/Hornear ni inmediatamente después de cocinar.

Problema	Posible causa y prevención
<p>El horno o los estantes están manchados después de usar papel de aluminio</p>	<p>El papel de aluminio se derritió dentro del horno</p>  <ul style="list-style-type: none"> • Nunca cubra la base del horno ni un estante completo con materiales como papel de aluminio. • Si ya se ha derretido papel de aluminio en el horno, esto no afectará su rendimiento.
<p>La llama o la energía es débil</p>	<p>La presión de gas puede ser baja</p> <ul style="list-style-type: none"> • Consulte primero con su proveedor de gas.
<p>La superficie no está nivelada El horno está inclinado</p>	<p>La estufa no está nivelada</p>  <ul style="list-style-type: none"> • Primero consulte con el instalador. • Use un nivelador de carpintero ① para verificar la nivelación. <p>El dispositivo antivuelco no está instalado correctamente</p>  <ul style="list-style-type: none"> ① Aproximadamente 0.65" (16.5 mm) ② Nivele ambos lados de la estufa ③ El tornillo debe ser apto para madera u hormigón ④ Soporte antivuelco ⑤ Placa de pared <ul style="list-style-type: none"> • Primero consulte con el instalador.

86 GARANTÍA LIMITADA

Problema	Posible causa y prevención
<p>El horno muestra un código de error (F9, F19), pero los quemadores de la placa de cocción están funcionando.</p>	<p>La válvula reguladora está cerrada.</p>  <p>1 Posición cerrada de la palanca</p> <ul style="list-style-type: none"> • Compruebe que el regulador de la válvula esté en posición abierta. • Si el regulador se encuentra en posición cerrada, rote la palanca a la posición abierta.  <p>2 Posición cerrada de la palanca 3 Posición abierta de la palanca</p>
<p>Las llamas son demasiado grandes en la placa de cocción convertida (NP → LP)</p>	<p>El instalador no realizó parte de la conversión. (Revise 3 partes: regulador, válvula de placa de cocción, válvula de asar/hornear.)</p>  <p>1 Regulador 2 Válvula de placa de cocción 3 Válvula de asar/hornear</p> <ul style="list-style-type: none"> • Primero consulte con el instalador. • Consulte el manual de instalación.
<p>La llama es demasiado pequeña o demasiado grande</p>	<p>1. Presión de gas variable 2. El instalador no verificó</p>  <p>1 2</p> <ul style="list-style-type: none"> • Primero consulte con el instalador.

Problema	Posible causa y prevención
<p>Olor a gas</p>	<p>Conexión incorrecta Montaje del conector flexible</p>  <ol style="list-style-type: none"> ➊ Regulador de presión ➋ Adaptador de 1/2" ➌ Adaptador de 1/2" ➍ Flujo de gas a la estufa ➎ Conector flexible (6 pies máx.) ➏ Válvula de corte de gas ➐ Adaptador de 1/2" ➑ Tubería de gas de 1/2" o 3/4" <ul style="list-style-type: none"> • Primero consulte con el instalador.

El costo de la reparación o el reemplazo en estas circunstancias excluidas estará a su cargo.

PARA OBTENER SERVICIO EN GARANTÍA E INFORMACIÓN ADICIONAL

Llame al [1-800-243-0000](tel:1-800-243-0000) y seleccione la opción apropiada desde el menú.

O visite nuestro sitio web en <http://www.lg.com>

O por correo: LG Electronics Customer Service P.O. Box 240007 Huntsville, AL 35813 ATTN: CIC

PROCEDIMIENTO PARA RESOLVER DISPUTAS:

TODOS LOS CONFLICTOS ENTRE USTED Y LG QUE SURJAN FUERA DE O RELACIONADOS DE ALGUNA MANERA CON ESTA GARANTÍA LIMITADA O CON EL PRODUCTO, SE RESOLVERÁN EXCLUSIVAMENTE A TRAVÉS DE UN ARBITRAJE VINCULANTE Y NO EN UNA CORTE DE JURISDICCIÓN GENERAL. ARBITRAJE VINCULANTE SIGNIFICA QUE USTED Y LG RENUNCIAN AL DERECHO DE UN JUICIO CON JURADO Y A REALIZAR O PARTICIPAR EN UNA DEMANDA COLECTIVA.

Definiciones. Para el propósito de esta sección, las referencias a "LG" significan: LG Electronics U.S.A., Inc., sus empresas matrices, subsidiarias y filiales y cada uno de sus directivos, directores, empleados, agentes, beneficiarios, predecesores en interés, sucesores, cesionarios y proveedores; las referencias a "conflicto" o "reclamación" incluirán cualquier conflicto, reclamo o controversia de cualquier tipo, sin importar (ya sea basado en contrato, agravio, estatuto, regulación, ordenanza, fraude, falsa representación o cualquier teoría legal o equitativa) que surja de o esté relacionada con cualquier forma de venta, condición o desempeño del producto o de esta Garantía Limitada.

Aviso de disputa. En caso de que usted desee iniciar un procedimiento de arbitraje, primero debe notificar a LG por escrito al menos 30 días antes de iniciar el arbitraje enviando una carta a LG a LG Electronics, USA, Inc. Atención: Legal Department- Arbitration 111 Sylvan Avenue, Englewood Cliffs, NJ 07632. Usted y LG aceptan participar en discusiones de buena fe en un intento de resolver su reclamo de manera amistosa. En la carta debe proporcionar su nombre, dirección y número de teléfono; identificar el

88 GARANTÍA LIMITADA

producto que es objeto de la reclamación; y describir la naturaleza del reclamo y el remedio que busca. Si usted y LG no pueden resolver la disputa dentro de 30 días, cualquiera de las partes puede proceder a presentar una demanda de arbitraje.

Acuerdo de arbitraje vinculante y renuncia de demanda colectiva. En caso de no resolver la disputa durante el período de 30 días después de enviar una notificación por escrito a LG, Usted y LG se comprometen a resolver cualquier reclamo entre nosotros, solamente a través de arbitraje vinculante sobre una base individual, a menos que usted se excluya, conforme a lo dispuesto a continuación. Cualquier conflicto entre usted y LG no estarán combinados o consolidados con una controversia relacionada con cualquier otro producto o reclamo de otra persona o entidad. Más específicamente y sin perjuicio de lo anterior, no procederá bajo ninguna circunstancia cualquier disputa entre usted y LG como parte de una acción colectiva o representativa. En lugar del arbitraje, cualquiera de las partes podrá iniciar una acción individual en la corte de reclamos menores, pero tales acciones en la corte de reclamos menores no podrán ser realizadas en una acción colectiva o representativa.

Normas y procedimientos de arbitraje. Para comenzar con el arbitraje de un reclamo, usted o LG deben realizar una demanda escrita para arbitraje. El arbitraje será administrado por la Asociación Americana de Arbitraje (AAA) y se llevará a cabo ante un árbitro único bajo las Normas de Arbitraje del Consumidor de la AAA, que tienen efecto al momento de inicio del arbitraje (en adelante "Normas de la AAA") y bajo los procedimientos establecidos en esta sección. Las Normas de la AAA están disponibles en línea en www.adr.org/consumer. Envíe una copia de su solicitud de arbitraje por escrito, así como una copia de esta disposición, a la AAA de la forma descrita en las Normas de la AAA. También debe enviar una copia de su solicitud por escrito a LG en LG Electronics, USA, Inc. Atención: Legal Department-Arbitration 111 Sylvan Avenue, Englewood Cliffs, NJ 07632. Si hay un conflicto entre las Normas de la AAA y las reglas establecidas en esta sección, prevalecerán dichas reglas de esta sección. Esta disposición de arbitraje se rige por la Ley Federal de Arbitraje. El juicio se puede introducir en el laudo arbitral en cualquier tribunal de jurisdicción competente. Todos son temas para que el árbitro tome sus decisiones, excepto aquellos asuntos relativos al alcance y aplicabilidad de la cláusula de arbitraje y de la capacidad de arbitraje de la controversia para que el tribunal decida. El árbitro se regirá por los términos de esta disposición.

Legislación vigente. La legislación del estado de su residencia regirá esta Garantía Limitada, así como todas las disputas entre nosotros, salvo que sea invalidada o inconsistente con leyes federales aplicables.

Tarifas / Costos. Usted no debe pagar ninguna tarifa para comenzar un arbitraje. Al recibir su solicitud de arbitraje por escrito, LG pagará todos los gastos administrativos rápidamente a la AAA, a menos que usted solicite más de \$25,000.00 por daños, en cuyo caso el pago de estos gastos se regirá por las Normas de la AAA. Salvo disposición contraria prevista en el presente documento, LG pagará a la AAA todos los gastos documentales, administrativos y de arbitraje para cualquier arbitraje iniciado, de conformidad con las Normas de la AAA y esta disposición de arbitraje. Si usted prevalece en el arbitraje, LG pagará los honorarios y gastos de sus abogados, siempre y cuando sean razonables, considerando factores que incluyen, entre otros, el monto de la compra y el monto del reclamo. No obstante lo anterior, si la ley aplicable permite una adjudicación de honorarios y gastos razonables de abogados, un árbitro puede otorgarlos en la misma medida que lo haría un tribunal. Si el árbitro considera que la sustancia de su reclamo o la reparación solicitada en la demanda es frívola o se utiliza para un propósito inadecuado (calificado según las normas establecidas en la Norma Federal de Procedimiento Civil 11 (b)), el pago de todos los honorarios de arbitraje se regirá por las Normas de la AAA. En tal situación usted se compromete a reembolsar a LG todos los fondos erogados previamente por ella, cuyo pago es, por otra parte, su obligación, según las Normas de la AAA. Salvo disposición contraria, LG renuncia a cualquier derecho que pudiera tener para solicitarle los honorarios y gastos de sus abogados, si LG prevalece en el arbitraje.

Audiencias y ubicación. Si su reclamo es por \$25,000 o menos, usted puede optar que el arbitraje sea realizado únicamente sobre la base de: (1) documentos presentados al árbitro, (2) a través de una audiencia telefónica o (3) por una audiencia en persona, según lo establecido por las Normas de la AAA. Si su reclamo excede \$25,000, el derecho a una audiencia estará determinado por las Normas de la AAA. Cualquier audiencia de arbitraje en persona se realizará en un lugar dentro del distrito judicial federal en el cual reside, a menos que ambos acuerden otra ubicación o estemos de acuerdo con el arbitraje telefónico.

Exclusión voluntaria. Usted puede optar por no participar en este procedimiento de resolución de disputas. Si opta por no participar, ni usted ni LG pueden exigir a la otra parte que participe en un procedimiento de arbitraje. Para optar por no participar, usted debe enviar un aviso a LG a más tardar 30 días calendario a partir de la fecha de compra del producto por parte del primer comprador consumidor ya sea (i) enviando un correo electrónico a optout@lge.com, con el asunto: "Exclusión voluntaria del arbitraje"

o (ii) llamando al 1-800-980-2973. Debe incluir lo siguiente en el correo electrónico de exclusión voluntaria o proporcionar por teléfono: (a) su nombre y dirección; (b) la fecha en la que se compró el producto; (c) el nombre del modelo o el número de modelo del producto; y (d) el número de serie (el número de serie se puede encontrar (i) en el producto; o (ii) en línea accediendo a <https://www.lg.com/us/support> al hacer clic en "How do I find my model number?").

Usted sólo puede optar por no participar en el procedimiento de resolución de disputas de la manera descrita anteriormente (es decir, por correo electrónico o por teléfono); ninguna otra forma de notificación será efectiva para optar por no participar en este procedimiento de resolución de disputas. La exclusión voluntaria de este procedimiento de resolución de disputas no afectará la cobertura de la Garantía limitada de ninguna manera y usted seguirá disfrutando de todos los beneficios de la Garantía limitada. Si conserva este producto y no opta por no participar, acepta todos los términos y condiciones de la disposición de arbitraje descrita anteriormente.



LG Customer Information Center

For inquiries or comments, visit **www.lg.com** or call:

1-800-243-0000 U.S.A.

1-888-542-2623 CANADA

Register your product Online!

www.lg.com

Centro de Información al Cliente LG

Para consultas o comentarios, visite **www.lg.com** o llame por teléfono:

1-800-243-0000 EE.UU.

1-888-542-2623 CANADÁ

¡Registre su producto en línea!

www.lg.com

Centre de Service à la Clientèle de LG

Pour des questions ou des commentaires, visitez **www.lg.com/ca_fr** ou appelez :

1-800-243-0000 ÉTATS-UNIS

1-888-542-2623 CANADA

Enregistrez votre produit en ligne!

www.lg.com/ca_fr