



Ford Mustang (with 4.2" screen) 2015-Up

Visit MetraOnline.com for more detailed information about the product and up-to-date vehicle specific applications

KIT FEATURES

- Designed specifically for the Pioneer DMH-C5500NEX 8-inch radio
- Included interface for climate and steering wheel functions
- Integrated passenger airbag indicator
- Touchscreen display for climate and personalization features
- Painted charcoal

KIT COMPONENTS

- A) Radio trim panel (with touchscreen display) • B) Radio brackets • C) Engine start/stop circuit board and cover • D) Engine start/stop trim
- E) (6) Phillips screws • F) (4) Panel clips • G) USB cable • H) HVAC interface and wiring harness (not shown) • I) Antenna adapter (not shown)

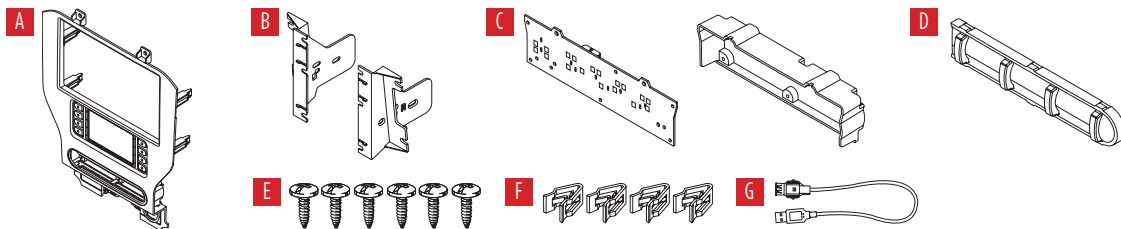


TABLE OF CONTENTS

Dash Disassembly	2-4
Kit Preparation	5-7
Kit Assembly	8
Axxess Interface installation.....	9-17
Final Assembly	13

WIRING & ANTENNA CONNECTIONS

- Wiring Harness: Axxess interface built into touchscreen
- Antenna Adapter: Included with kit

TOOLS REQUIRED

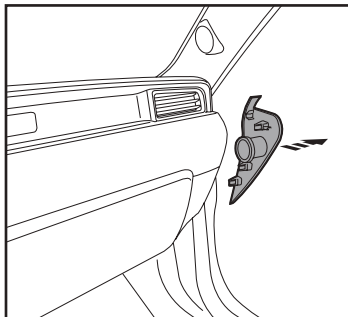
- Panel removal tool • Phillips screwdriver
- 9/32" socket wrench • Cutting tool
- Torx T-10 screwdriver

Attention! With the key out of the ignition, disconnect the negative battery terminal before installing this product. Ensure that all installation connections are secure before cycling the ignition to test this product.

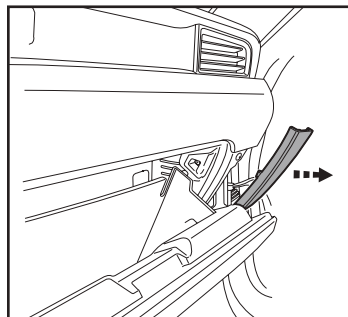
DASH DISASSEMBLY

1. Open the passenger door and remove the trim panel from the side of the dash. (Figure A)
2. Open the glove box and remove the trim panel on the right side. (Figure B)
3. Unclip and remove the trim/vent dash panel. (Figure C)

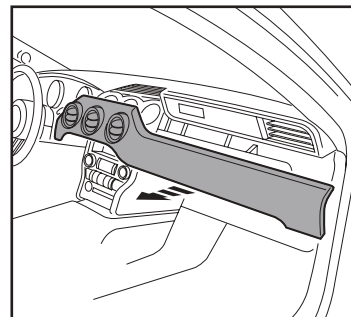
Continued on the next page



(Figure A)



(Figure B)

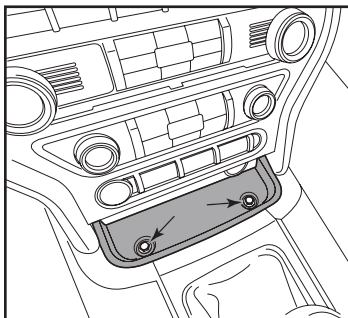


(Figure C)

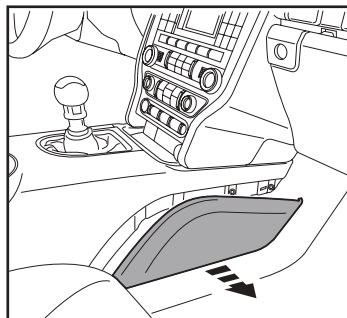
DASH DISASSEMBLY (CONT.)

4. Remove the rubber tray cover in front of the shifter, and then remove the (2) 9/32" screws exposed. (Figure D)
5. Unclip and remove the front side panels from each side of the center console. (Figure E)
6. Remove the (2) 9/32" screws from each side of the center console. (Figure F)

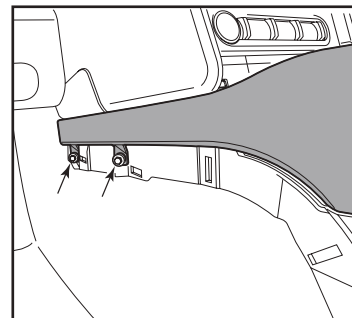
Continued on the next page



(Figure D)



(Figure E)

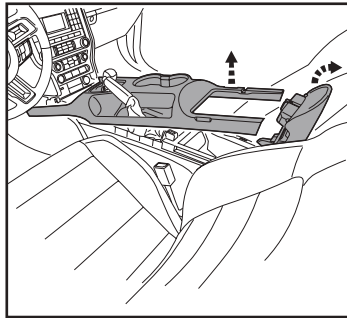


(Figure F)

DASH DISASSEMBLY (CONT.)

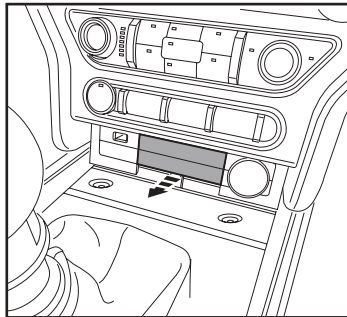
- Unclip the shifter trim bezel and slightly pull it up to clear the center console trim bezel removal.
- Open the center console storage compartment. Unclip the center console trim bezel, then slide it toward the rear of the vehicle to remove it. (Figure G)

Note: The complete center console does not need to be removed, but if it is desired to be removed, the **Push-to-Start module** must be connected when testing the kit.



(Figure G)

- Remove the plastic tray in front of the shifter.
- Remove the center plastic trim (knockout) between the power outlet and USB jack. (Figure H)

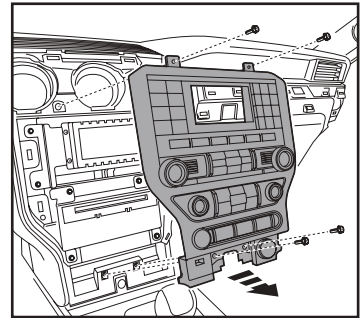


(Figure H)

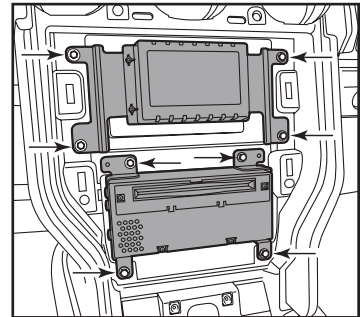
Ensure that the vehicle is completely off before proceeding onto the following (4) steps:

- Remove the (4) 9/32" screws securing the radio/climate control panel, and then unclip, unplug, and remove. (Figure I)
- Remove the (4) 9/32" screws securing the display screen, then unplug and remove. (Figure J)
- Remove the (4) 9/32" screws securing the radio chassis, then unplug and remove. (Figure J)
- If the vehicle is equipped with SYNC, remove the (3) 9/32" screws securing the SYNC® module, then unplug and remove.

Continue to Kit Preparation



(Figure I)

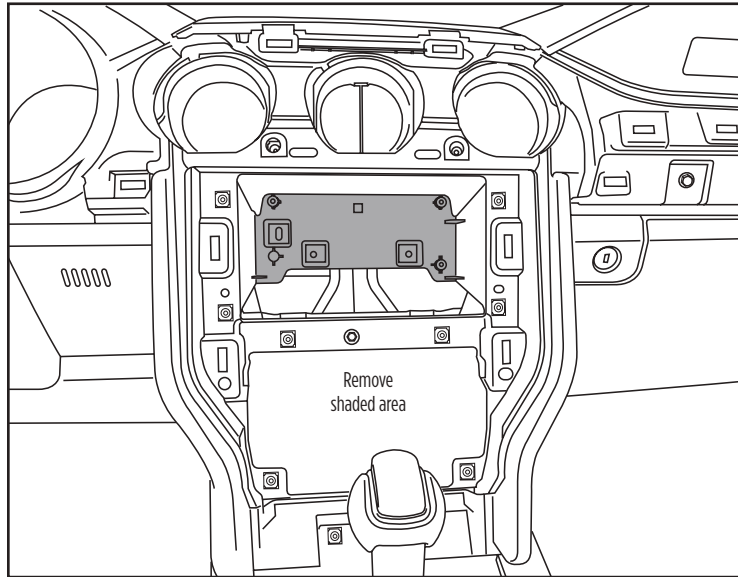


(Figure J)

KIT PREPARATION

1. Cut and remove the shaded area from the sub-dash to allow clearance for the aftermarket radio. (Figure A)

Continued on the next page

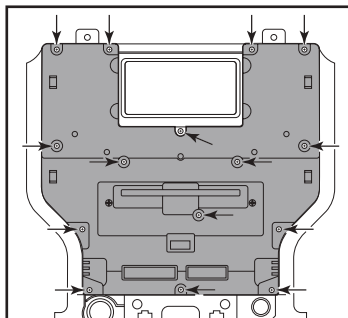


(Figure A)

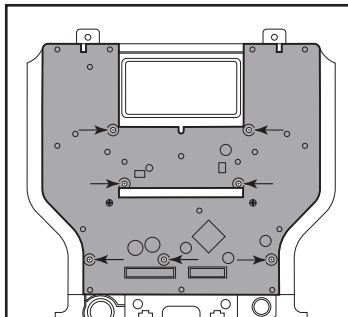
KIT PREPARATION *(CONT.)*

From the factory radio/climate control panel:

1. Remove the (15) T-10 Torx screws securing the plastic panel cover to the rear of the panel, and then remove. (Figure A)
2. Remove the (7) T-10 Torx screws securing the circuit board, and then remove. (Figure B)



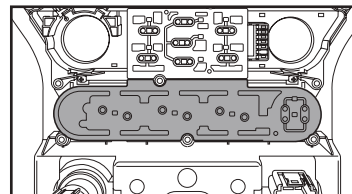
(Figure A)



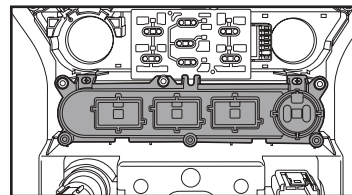
(Figure B)

3. Remove the rubber button membrane from the back of the engine start/stop switch panel. (Figure C)
4. Remove the engine start/stop switch panel. (Figure D)
5. Press in on the (2) retaining tabs inside the power outlet to remove the inner portion, and then unsnap the outer ring and cover. (Figure E)

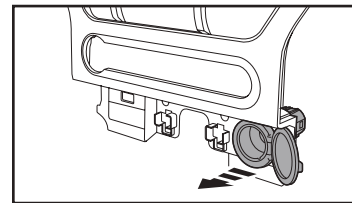
Continued on the next page



(Figure C)



(Figure D)

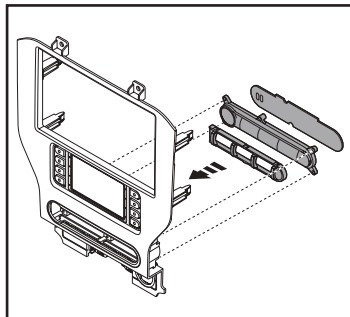


(Figure E)

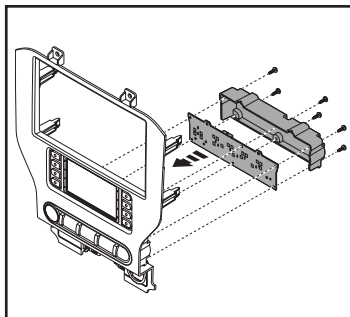
KIT PREPARATION (CONT.)

To the 108-FD5B radio trim panel:

1. Attach the **engine start/stop trim**, **engine start/stop switch panel**, and then the rubber button membrane. (Figure A)
2. Secure the **engine start/stop circuit board and cover** to the switch/cover assembly using (6) Phillips screws provided. (Figure B)



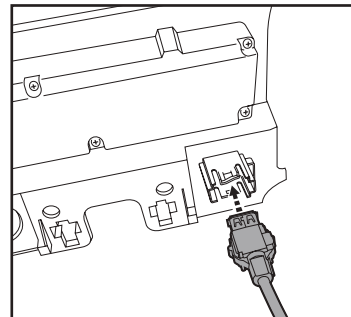
(Figure A)



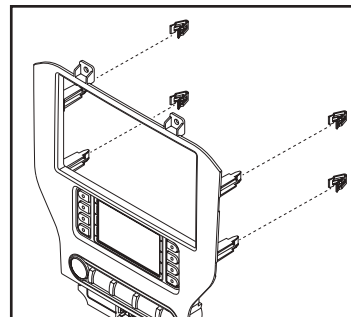
(Figure B)

3. Insert the **USB cable** into the USB slot, through the rear. (Figure C)
4. Attach (4) **panel clips** provided. (Figure D)

Continue to Kit Assembly



(Figure C)



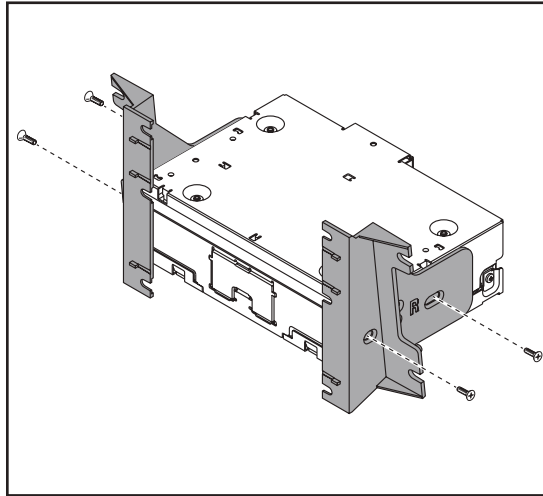
(Figure D)

KIT ASSEMBLY

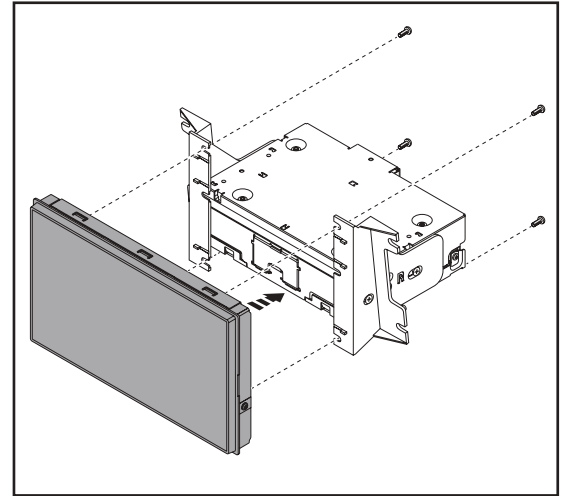
Note: For the following steps, reference the installation manual provided with the radio for which hardware to use. The display screen and radio chassis use two different types of screws.

1. Secure the **radio brackets** to the radio chassis using (4) screws supplied with the radio. (Figure A)
2. Secure the radio display to the **radio brackets** using (4) screws supplied with the radio. (Figure B)

*Continue to Axxess
Interface Installation*



(Figure A)



(Figure B)

AXXESS INTERFACE INSTALLATION

INTERFACE FEATURES

- Provides accessory power (12-volt 10-amp)
- Retains R.A.P. (retained accessory power)
- Provides NAV outputs (parking brake, reverse, speed sense)
- Retains audio controls on the steering wheel
- Retains the factory backup camera
- Retains balance and fade
- Micro-B USB updatable

INTERFACE COMPONENTS

- Axxess interface (built into the touchscreen display)
- Main harness
- HVAC interface
- HVAC interface harness
- 16-pin harness with stripped leads
- 12-pin backup camera harness
- 4-pin harness with yellow RCA jacks

TABLE OF CONTENTS

Connections	10-11
Installation	12
Programming	13
Touchscreen display operation	14-15
Steering wheel control settings	16-17
Troubleshooting	17

TOOLS REQUIRED

- Crimping tool and connectors, or solder gun, solder, and heat shrink
- Tape • Wire cutter • Zip ties

CONNECTIONS

From the 16-pin harness with stripped leads to the aftermarket radio:

- Connect the **Red** wire to the accessory wire.
- Connect the **Orange/White** wire to the illumination (lighting switch) wire
- Connect the **Gray** wire to the right front positive speaker output.
- Connect the **Gray/Black** wire to the right front negative speaker output.
- Connect the **White** wire to the left front positive speaker output.
- Connect the **White/Black** wire to the left front negative speaker output.
- Connect the **Green/Purple** wire to the reverse wire.
- Connect the **Light Green** wire to the parking brake wire.
- Tape off and disregard the following (7) wires, they will not be used in this application.

Blue/Pink, Blue/White, Brown, Green, Green/Black, Purple, Purple/Black

From the main harness to the aftermarket radio:

- Connect the **Black** wire to the ground wire.
- Connect the **Yellow** wire to the battery wire.
- Connect the **Blue** wire to the system control (Blue/White) wire.
- Connect the **Green** wire to the left rear positive speaker output.
- Connect the **Green/Black** wire to the left rear negative speaker output.
- Connect the **Purple** wire to the right rear positive speaker output.
- Connect the **Purple/Black** wire to the right rear negative speaker output.
- Disregard the **Red** and **White** RCA jacks labeled “RSE/SYNC/SAT”, they will not be used in this application.
- Disregard the **Red** and **White** RCA jacks labeled “FROM 3.5”, they will not be used in this application.

Continued on the next page

3.5mm jack - steering wheel control retention:

The 3.5mm jack is to be used to retain audio controls on the steering wheel control.

- Connect the 3.5mm jack into the **wired remote input** from the aftermarket radio. Refer to the manual provided with the radio if in doubt as to where the 3.5mm jack goes to.

12-pin backup camera harness:

There are two different methods for connecting the factory backup camera.

If retaining the camera to the aftermarket radio is desired:

- Connect the **Yellow** RCA jack to the **rear view camera input** from the aftermarket radio.

If retaining the camera to the touchscreen display is desired:

- Connect the **Yellow** RCA jack, to the **Yellow** RCA jack from the **4-pin harness with yellow RCA jacks** labeled “Rearview camera”.

Note: If this method is chosen, the backup camera option must be enabled in the **Configuration Settings**.

- Disregard the **Yellow** RCA jack from the **4-pin harness with yellow RCA jacks** labeled “AUX video”, it will not be used in this application.

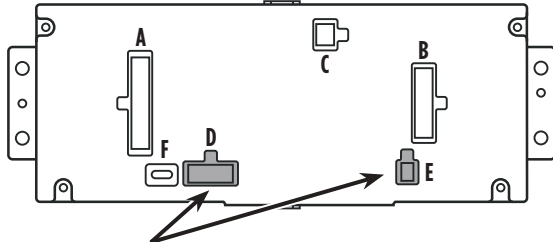
INSTALLATION

It is highly advisable to read the following steps beforehand, to ensure a clear understanding of what is to be expected. The following steps must be done in the order that they are numbered.

With the vehicle completely off:

Touchscreen display

1. Connect the **16-pin harness with stripped leads** into port “B” in the touchscreen display.
2. Connect the **main harness** to the wiring harnesses in the vehicle. These harnesses are the ones removed in step 13 of dash disassembly. Then insert the **main harness** into port “A” in the touchscreen display. But do not install this harness until exactly before step 1 of the **Programming** section. This is a timed process.
3. Connect the **4-pin harness with yellow RCA jacks** into port “C” in the touchscreen display.
4. Disregard ports “D” and “E”, they will not be used in this application.
5. Port “F” is an update port for future firmware upgrades.



Note: DO NOT CONNECT!

HVAC interface

6. Connect the **HVAC interface harness** into the **HVAC interface**, and then to the wiring harnesses in the vehicle. These harnesses are the ones removed in step 11 of dash disassembly.
 - a. Then connect the 10-pin harness into the engine start/stop circuit board assembly.

Attention! There are (2) 10-pin connectors, one in the engine start/stop circuit board assembly, and one in the touchscreen display. Use only the appropriate connector and disregard the other one. If the incorrect port is accidentally used, the vehicle will need to be reset by removing the battery for a couple minutes.

Note: Disregard the 4-pin flat to 4-pin stacked harness, it will not be used in this application.

7. Connect the 6-pin harness from the **main harness** to the **HVAC interface**.
8. Connect the **12-pin backup camera harness**, to the wiring harness in the vehicle. This harness is the one removed in step 12 of dash disassembly.
9. Locate the factory antenna connector in the dash and complete all necessary connections to the radio. Use the antenna adapter provided to adapt the factory antenna connector to the aftermarket radio.

Continued on the next page

PROGRAMMING

1. Refer to step 2 from the **Installation** section.
2. Press the push-to-start button to start the vehicle.

Note: If the Push-to-Start module in the center console has been disconnected, reconnect it.

3. Program the kit:
 - a. Once the touchscreen display loads up, select the vehicle type.
 - b. Wait until the radio comes on, and the touchscreen display shows **SWC Configured***. This process may take up to 3 minutes.

Note: If the touchscreen display doesn't load up, or the radio doesn't come on within 3 minutes, and/or the touchscreen display doesn't show **SWC Configured***, check all connections, then reset the interface and try again. Refer to the **Troubleshooting** section.

* For models with steering wheel controls.

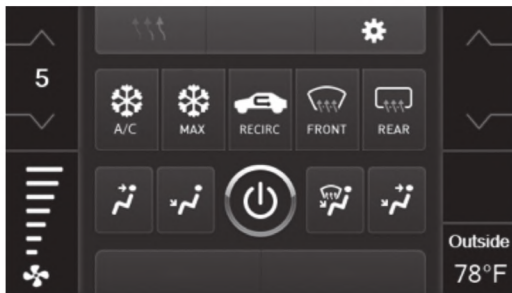
4. Cycle the key off. If the driver's door is closed, open and close the door. Cycle the key back on.
5. Test all functions of the installation for proper operation, before reassembling the dash.

FINAL ASSEMBLY

1. Connect the **USB cable** attached to the **radio trim panel**, to the USB port in the back of the radio.
2. Secure the completed radio assembly into the upper dash using the factory hardware removed in step 12 of dash disassembly.
3. Snap the **radio trim panel** over the completed radio assembly, then reassemble the dash in reverse order of disassembly.

TOUCHSCREEN DISPLAY OPERATION

Climate Control screen

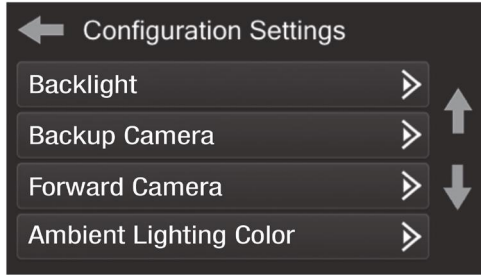


- This is the climate control screen which will be displayed on the touchscreen display. This is considered the **Main Menu**.
- Disregard the upper left tab with (3) arrows, it will not be used in this application.
- The upper right tab with the gear icon will take you to the **Configuration Settings** screen.
- The climate controls will function in the same manner that they did with the factory climate controls, yet via touchscreen buttons instead. The temperature control will display a numerical scale, with **LO** being the coldest, and **HI** being the hottest: **LO / 1-9 / HI**

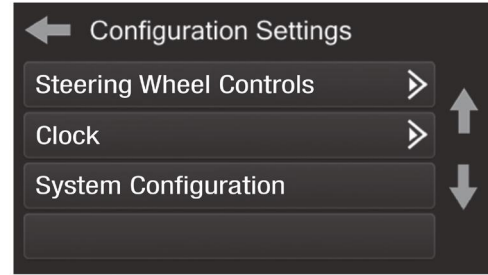
Continued on the next page

TOUCHSCREEN DISPLAY OPERATION (CONT.)

Configuration Settings



- **Backlight**
 - For controlling the color of the buttons and back-light intensity.
- **Backup Camera**
 - Enable/disables the backup camera image to the touchscreen display. Disabled by default.
- **Forward Camera** (disregard for this application)
- **Ambient Lighting Color**
 - For adjusting the ambient light color in the vehicle



- **Steering Wheel Controls**
 - Remap Buttons – For remapping the steering wheel control buttons
 - Dual Assign – For dual assigning the steering wheel control buttons (long button press)
 - Select Radio – For auto detecting the radio, or changing the radio type
- **Clock**
 - For setting the clock and hour mode
- **System Configuration**
 - About - Information regarding the software in the kit
 - Temperature Unit - To change between Celsius and Fahrenheit
 - Digital Amp Gain - For adjusting the output gain to the amplifier
 - Reset Vehicle Type - To reset the kit to default settings

STEERING WHEEL CONTROL SETTINGS

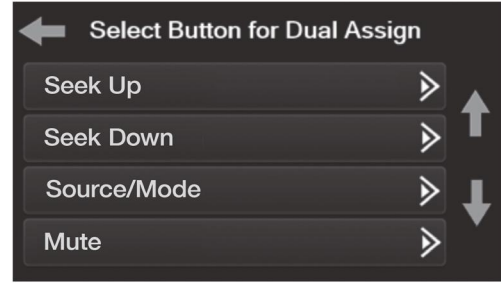
Remap Buttons



- The interface has the ability to change the button assignment for the steering wheel control audio buttons, except Volume-Up and Volume-Down. Follow the prompts on the touchscreen display to remap the steering wheel control audio button(s) to your liking.

Note: The aftermarket radio may not have all of these commands. Please refer to the manual provided with the radio, or contact the radio manufacturer, for specific commands recognized by that particular radio.

Dual Assign



- The interface has the capability to assign two functions to a single button, except Volume-Up and Volume-Down. Follow the prompts on the touchscreen display to program the button(s) to your liking.

Note: Seek-Up and Seek-Down come programmed as Preset-Up and Preset-Down for a long button press.

Continued on the next page

STEERING WHEEL CONTROL SETTINGS (CONT.)

Select Radio



- To show which brand radio is “auto detected” to the interface, press the **Autodetect** button. The radio detected will have a filled in circle. If the incorrect radio is shown, select **Pioneer**.

* **Note:** If the interface shows an **Alpine** radio, that means the interface doesn’t detect a radio connected it, i.e., an open connection. Verify that the 3.5mm jack is connected to the correct steering wheel jack in the radio.

TROUBLESHOOTING

Resetting the interface

1. With the vehicle running, press the **Reset Vehicle Type** button mentioned in **System Configuration**.
2. Refer to **Programming**, step 3, from this point.



108-FD5CH

INSTALLATION INSTRUCTIONS



Having difficulties? We're here to help.



Contact our Tech Support line at:
386-257-1187



Or via email at:
techsupport@metra-autosound.com

Tech Support Hours (Eastern Standard Time)

Monday - Friday: 9:00 AM - 7:00 PM

Saturday: 10:00 AM - 7:00 PM

Sunday: 10:00 AM - 4:00 PM



KNOWLEDGE IS POWER

Enhance your installation and fabrication skills by enrolling in the most recognized and respected mobile electronics school in our industry. Log onto www.installerinstitute.edu or call 386-672-5771 for more information and take steps toward a better tomorrow.



Metra recommends MECP certified technicians



Ford Mustang (con pantalla de 4,2") 2015 y mas

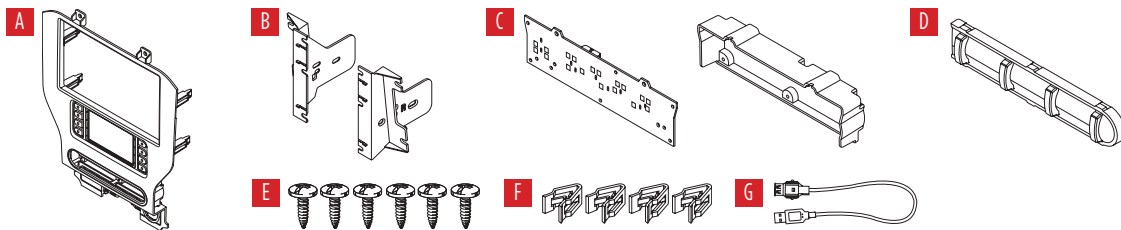
Visite MetraOnline.com para obtener información más detallada sobre el producto y aplicaciones actualizadas específicas para vehículos.

CARACTERÍSTICAS DEL KIT

- Diseñado específicamente para la radio de 8 pulgadas DMH-C5500NEX de Pioneer
- Incluye interfaz para climatización y funciones del volante.
- Indicador de airbag del pasajero integrado
- Pantalla táctil para el clima y características de personalización
- Pintura gris oscuro

COMPONENTES DEL KIT

- A) Panel de la moldura del radio (con pantalla táctil) • B) Soportes del radio • C) Tablero de circuitos para encender/apagar el motor y cubierta
- D) Moldura para encender/apagar el motor • E) Tornillos Phillips (6) • F) Ganchos para panel (4) • G) Cable USB
- H) Interfaz y arnés de cableado HVAC • I) Adaptador de antena (no se muestra)



INDICE

Desmontaje del tablero	2-4
Preparación del kit.....	5-7
Ensamble del kit	8
Instalación de la interfase Axxess	9-18
Montaje final	13

CABLEADO Y CONEXIONES DE ANTENA

- Arnés de cables: Interfaz Axxess incorporada en pantalla táctil
- Adaptador de antena: Incluido con kit

HERRAMIENTAS REQUERIDAS

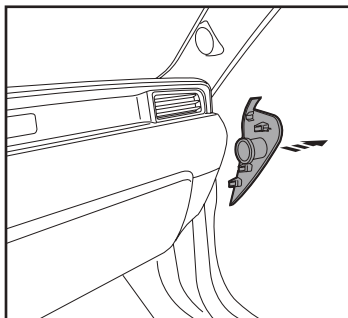
- Herramienta para quitar paneles
- Destornillador Phillips • Llave del tubo 9/32"
- Destornillador Torx T-10 • Herramienta para cortar

¡Atención! Con la llave fuera del encendido, desconecte el terminal negativo de la batería antes de instalar este producto. Asegúrese de que todas las conexiones de la instalación estén seguras antes de encender y apagar el encendido para probar este producto.

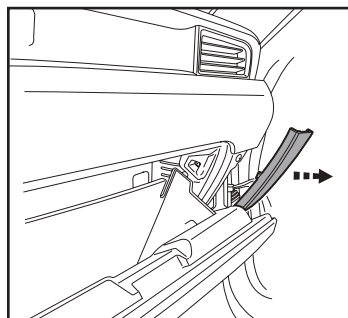
DESMONTAJE DEL TABLERO

1. Abra la puerta del pasajero y quite el panel de la moldura en el lado del tablero. (Figura A)
2. Abra la guantera y quite el panel de la moldura en el lado derecho. (Figura B)
3. Desenganche y quite el panel del tablero de la moldura/rejilla. (Figura C)

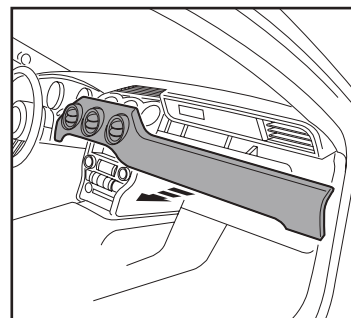
Continúa en la siguiente página



(Figura A)



(Figura B)

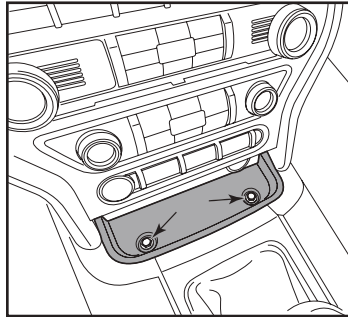


(Figura C)

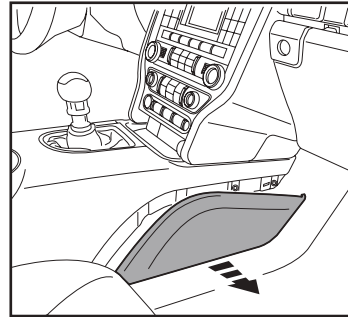
DESMONTAJE DEL TABLERO (CONT.)

4. Quite la cubierta de la charola de caucho frente a la palanca de velocidades y luego quite los (2) tornillos de 9/32" que quedan a la vista. (Figura D)
5. Desenganche y quite los paneles laterales frontales de cada lado de la consola central. (Figura E)
6. Quite los (2) tornillos de 9/32" de cada lado de la consola central. (Figura F)

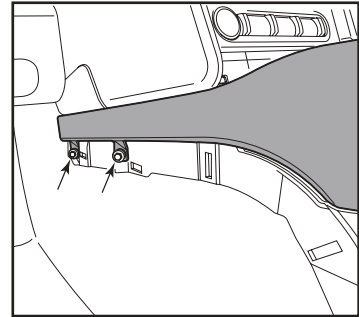
Continúa en la siguiente página



(Figura D)



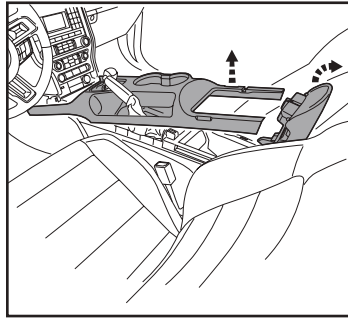
(Figura E)



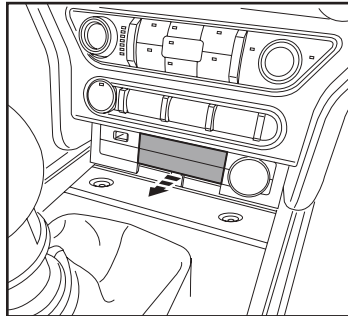
(Figura F)

DESMONTAJE DEL TABLERO (CONT.)

- Desenganche el bisel de la moldura de la palanca de velocidades y júlela ligeramente hacia arriba para poder quitar la bisel central de la consola central.
 - Abra el compartimiento de almacenamiento de la consola central. Suelte el bisel de la consola central, luego deslícelo hacia la parte trasera del vehículo para retirarlo. (Figura G)
- Nota:** No es necesario quitar la consola central completa, pero si se desea quitar, el módulo **Push-to-Start** debe estar conectado al probar el kit.
- Quite la charola de plástico de la parte frontal de la palanca de velocidades.
 - Quite la moldura de plástico del centro (panel) entre la salida de alimentación y el conector USB. (Figura H)



(Figura G)

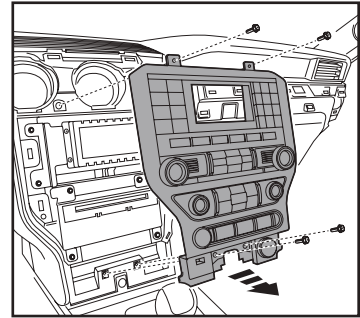


(Figura H)

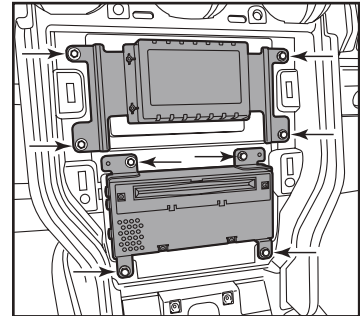
Asegúrese de que el vehículo esté completamente apagado antes de pasar a los siguientes (3) pasos:

- Quite los (4) tornillos de 9/32" que sujetan el panel del radio/control del clima, y luego desenganche, desconecte y quite. (Figura I)
- Quite los (4) tornillos de 9/32" que sujetan la pantalla, luego desconecte y quite. (Figura J)
- Quite los (4) tornillos de 9/32" que sujetan el chasis del radio, luego desconecte y quite. (Figura J)
- Si el vehículo está equipado con SYNC, quite los (3) tornillos de 9/32" que sujetan el módulo SYNC®, luego desconecte y quite.

Continuar la Preparación del Kit



(Figura I)

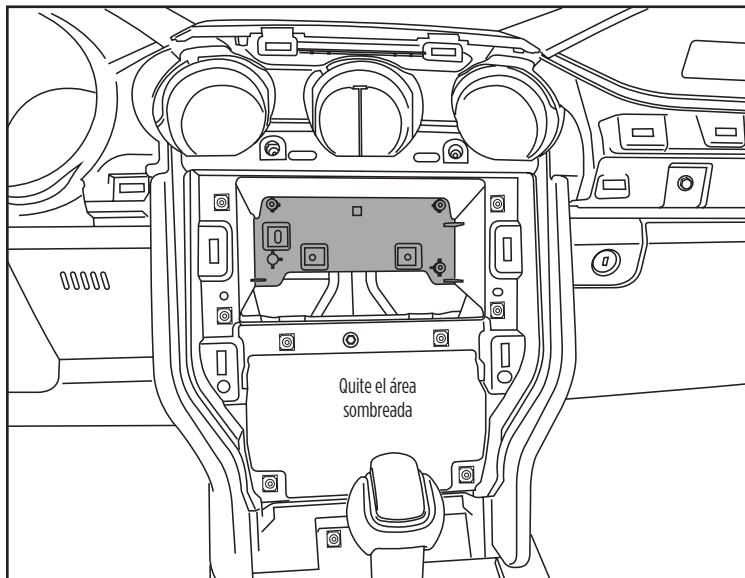


(Figura J)

PREPARACIÓN DEL KIT

1. Corte y quite el área sombreada del sub tablero para hacer espacio para el radio de mercado secundario. (Figura A)

Continúa en la siguiente pagina

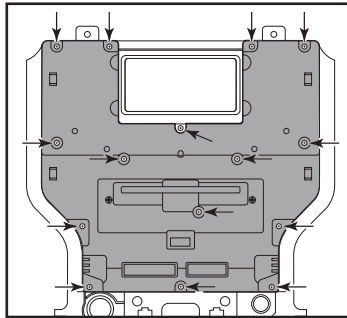


(Figura A)

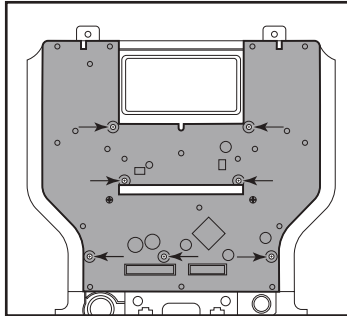
PREPARACIÓN DEL KIT (CONT.)

Del panel del radio/control del clima de fábrica:

1. Quite los (15) tornillos Torx T-10 sujetando la cubierta del panel de plástico a la parte trasera del panel y luego quite. (Figura A)
2. Quite los (7) tornillos Torx T-10 que sujetan el tablero de circuitos y luego quítelo. (Figura B)
3. Quite la membrana del botón de caucho de la parte trasera del panel del interruptor de encendido/apagado del motor. (Figura C)



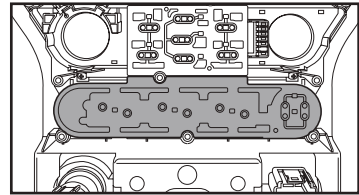
(Figura A)



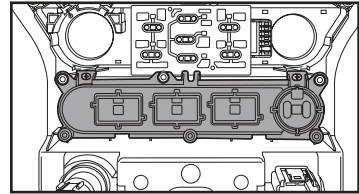
(Figura B)

4. Quite el panel del interruptor de encendido/apagado del motor. (Figura D)
5. Oprima hacia adentro en las (2) pestañas de retención dentro de la salida de alimentación y quite la porción interna, y luego suelte a presión el anillo exterior y cubierta. (Figura E)

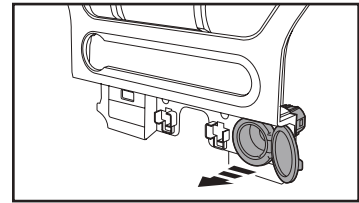
Continúa en la siguiente pagina



(Figura C)



(Figura D)

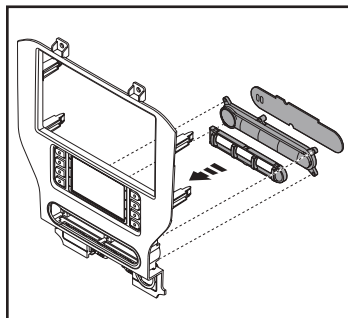


(Figura E)

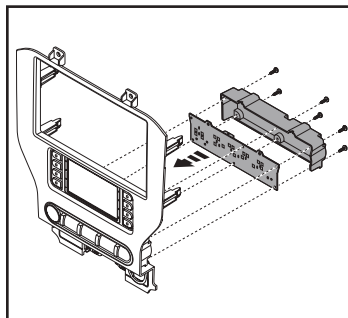
PREPARACIÓN DEL KIT (CONT.)

Al panel de la moldura del radio 108-FD5CH:

1. Una la **moldura de encendido/apagado del motor, panel del interruptor de encendido/apagado del motor** y luego la membrana del motor de caucho. (Figura A)
2. Sujete el **tablero de circuitos de encendido/apagado del motor y cubierta** al ensamble del interruptor/cubierta usando los (6) tornillos Phillips (Figura B)



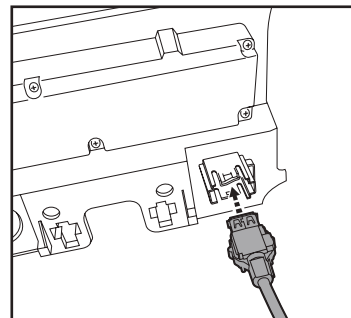
(Figura A)



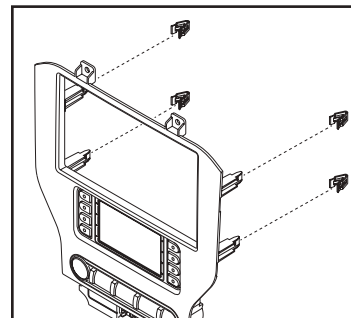
(Figura B)

3. Inserte el **cable USB** en la ranura USB, por la parte trasera. (Figura C)
4. Conecte los (4) **ganchos para panel** suministrados. (Figura D)

Continúe con el Ensamble del Kit



(Figura C)



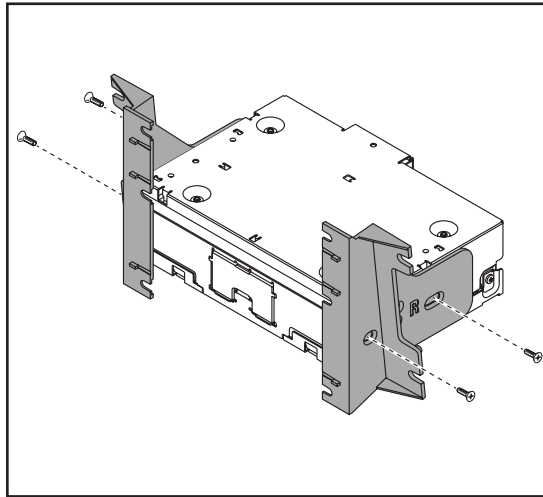
(Figura D)

ENSAMBLE DEL KIT

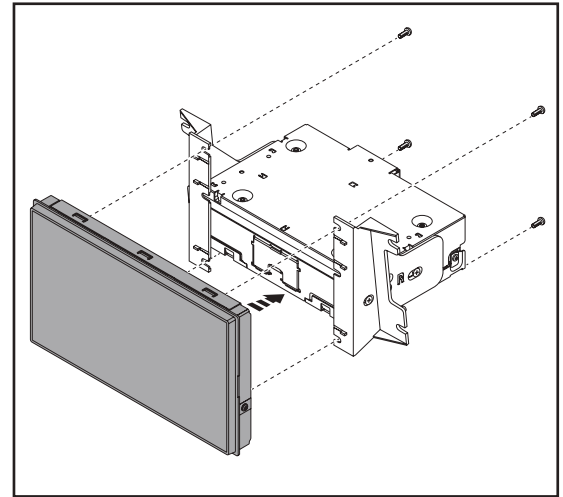
Nota: Para los siguientes pasos, consulte el manual de instalación provisto con la radio para saber qué hardware usar. La pantalla de visualización y el chasis de radio utilizan dos tipos diferentes de tornillos.

1. Deslice el chasis de la radio entre **los soportes de la radio**, luego asegúrelo con los (4) tornillos suministrados con la radio. (Figura A)
2. Sujete **los soportes de radio** a la pantalla de visualización de la radio con los (6) tornillos suministrados con la radio. (Figura B)

Continúe con la instalación de la Interfaz Axxess



(Figura A)



(Figura B)

INSTALACIÓN DE LA INTERFASE AXCESS

INSTALACIÓN DE LA INTERFAZ AXCESS

- Provee corriente de accesorio (12 voltios 10 amperes)
- Retiene R.A.P. (corriente de accesorio retenida)
- Proporciona salidas de NAV (freno de mano, reversa, sensor de velocidad)
- Retiene los controles de audio en el volante
- Retiene la cámara de reversa de fábrica
- Retiene el balance y la intensidad
- Actualizable por micro-B USB

COMPONENTES DE LA INTERFAZ

¡Atención! Este vehículo está equipado con una conexión de 54 o 12 pines.

- Interfaz Axxess (integrada a la pantalla táctil)
- Arnés principal
- Interfaz HVAC
- Arnés de la interfaz HVAC
- Arnés de 16 pines con conectores pelados
- Arnés de cámara de reversa de 12 pines
- Arnés de cámara de reversa de 54 pines
- Arnés de 4 pines con conectores RCA amarillos

INDICE

Conexiones.....	10-12
Instalación.....	12
Programación.....	13
Operación de la pantalla táctil.....	14-15
Configuración del control en el volante.....	16-17
Resolución de problemas.....	18

HERRAMIENTAS REQUERIDAS

- Herramienta de ponchadora y conectores, o pistola de soldadura, soldadura y termocontracción
- Cinta • Cortacables • Zip lazos

CONEXIONES

Del arnés de 16 pins con conectores pelados al radio de mercado secundario:

- Conecte el cable **rojo** al cable de accesorios.
- Conecte el cable **anaranjado/blanco** al cable de iluminación (interruptor de iluminación).
- Conecte el cable **gris** con la salida positiva de la bocina derecha delantera.
- Conecte el cable **gris/negro** con la salida negativa de la bocina derecha delantera.
- Conecte el cable **blanco** con la salida positiva de la bocina izquierda delantera.
- Conecte el cable **blanco/negro** con la salida negativa de la bocina izquierda delantera.
- Conecte el cable **verde/púrpura** al cable de reversa.
- Conecte el cable **verde** claro al cable de freno de mano.
- Coloque cinta e ignore los siguientes (7) cables; no se utilizarán en esta aplicación.

azul/rosa, azul/blanco, marrón, verde, verde/negro, púrpura, púrpura/negro

Desde el arnés principal al radio de mercado secundario:

- Conecte el cable **negro** al cable de tierra.
- Conecte el cable **amarillo** al cable de la batería.
- Conecte el cable **azul** al cable control del sistema (azul / blanco)
- Conecte el cable **verde** con la salida positiva de la bocina izquierda trasera.
- Conecte el cable **verde/negro** con la salida negativa de la bocina izquierda trasera.
- Conecte el cable **púrpura** con la salida positiva de la bocina derecha trasera.
- Conecte el cable **púrpura/negro** con la salida negativa de la bocina derecha trasera.
- No tenga en cuenta las tomas RCA **rojas y blancas** con la etiqueta "RSE / SYNC / SAT", no serán utilizados en esta aplicación.
- Ignore los conectores RCA **rojo y blanco** rotulados "FROM 3.5"; no se utilizarán en esta aplicación.

Continúa en la siguiente pagina

La retención del control en volante con conector de 3.5 mm

El conector de 3.5 mm se debe usar para retener los controles de audio en el control del volante.

- Conecte el conector de 3.5 mm a la **entrada remota con cable** del radio de mercado secundario. Consulte el manual provisto con la radio si tiene dudas sobre a dónde va el conector de 3.5 mm.

Arnés de cámara de reversa de 12 pins o 54 pins:

Existen dos métodos distintos para conectar la cámara de reversa de fábrica.

Si se desea retener la cámara al radio de mercado secundario:

- Conecte el conector **amarillo** RCA a la entrada de la cámara de visión trasera desde la radio del mercado de accesorios.

Si se desea retener la cámara a la pantalla táctil:

- Conecte el conector RCA **amarillo** al conector RCA **amarillo** del **arnés de 4 pins con conectores RCA amarillos** rotulados "Rearview camera".

Nota: Si se elige este método, la opción de cámara de reversa debe estar habilitada en la **Pantalla de configuración**.

- No tenga en cuenta el conector RCA **amarillo** del **arnés de 4 pins con los conectores RCA amarillos** con la etiqueta "AUX video", no se utilizará en esta aplicación.

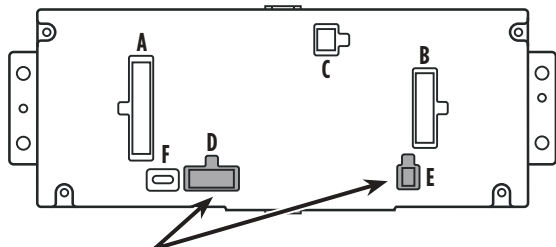
INSTALACIÓN

Se recomienda de gran manera que lea antes los siguientes pasos para asegurar que entienda bien lo que se espera. Los siguientes pasos deben seguirse en el orden en que están numerados.

Con el vehículo completamente apagado:

Pantalla táctil

1. Conecte el **arnés de 16 pins con conectores pelados** en el puerto “B” en la pantalla táctil.
2. Conecte el **arnés principal** a los arneses del cableado en el vehículo. Estos arneses son los que se retiran del paso 13 en el desmontaje del tablero. Después inserte el **arnés principal** en el puerto “A” en la pantalla táctil. Pero no instale este arnés hasta que llegue justo antes del paso 1 de **Programación**. Este es un proceso programado.
3. Conecte el **arnés de 4 pins con conectores RCA amarillos** en el puerto “C” en la pantalla táctil.
4. Ignore los puertos “D” y “E”; no se utilizarán en esta aplicación.
5. El puerto “F” es un puerto de actualización para actualizaciones de firmware futuras.



Nota: NO SE CONECTA!

Interfaz HVAC

6. Conecte el **arnés de la interfaz HVAC** en la **interfaz HVAC** y luego a los arneses de cableado en el vehículo. Estos arneses son los que se retiran del paso 11 en el desmontaje del tablero.
 - a. Después conecte el arnés de 10 pins dentro del ensamble del tablero de circuitos de encendido/apagado del motor.

¡Atención! Existen (2) conectores de 10 pins; uno en el ensamble del tablero de circuito de encendido/apagado del motor, y uno en la pantalla táctil. Use únicamente el conector apropiado e ignore el otro. Si se usa accidentalmente el puerto incorrecto, el vehículo deberá restablecerse quitando la batería durante unos minutos.

Nota: Ignore el arnés de 4 pins planos a 4 pins apilados; no se utilizará en esta aplicación.

7. Conecte el arnés de 6 pins del **arnés principal** en la **interfaz HVAC**.
8. Conecte el **arnés de la cámara de reversa de 12 pins** al arnés del cableado en el vehículo. Este arnés es el que se retira del paso 12 en el desmontaje del tablero.
9. Localice el conector de la antena de fábrica en el tablero y realice todas las conexiones necesarias al radio. Metra recomienda el uso de un adaptador adecuado de acoplamiento de Metra.

Continúa en la siguiente página

PROGRAMACIÓN

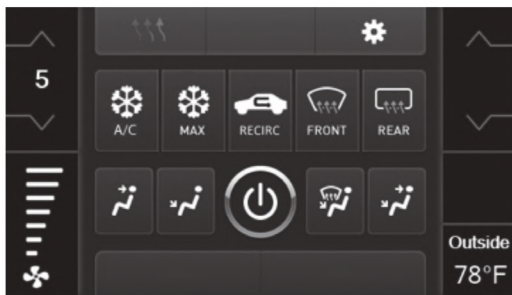
1. Haga referencia al paso 2 de **Instalación**.
2. Oprima el botón para encender el vehículo.
Nota: si se ha desconectado el módulo Push-to-Start en la consola central, vuelva a conectarlo.
3. Programar el kit:
 - a. Una vez que la pantalla táctil se carga, seleccione el tipo de vehículo.
 - b. Espere a que se encienda el radio y la pantalla táctil muestre **SWC Configured***. Este proceso puede requerir hasta 3 minutos.
Nota: Si la pantalla táctil no se carga o el radio no se enciende en los siguientes 3 minutos, y/o la pantalla táctil no muestra **SWC Configured***. Verifique todas las conexiones, luego reinicie la interfaz e intente nuevamente. Consulte la sección **Resolución de problemas**.
* Para modelos con mandos en el volante.
4. Apague la llave y vuelva a encenderla. Si la puerta del conductor está cerrada, abra y cierre la puerta.
5. Pruebe todas las funciones de la instalación para verificar la operación correcta antes de volver a ensamblar el tablero.

ENSAMBLE FINAL

1. Conecte el **cable USB** unido al **panel de la moldura del radio** al puerto USB en la parte trasera del radio, en su caso.
2. Sujete el montaje de radio terminado en el tablero superior con la herramienta de fábrica que quitó en el paso 12 del desmontaje del tablero.
3. Coloque a presión el **panel de la moldura del radio** sobre el montaje de radio completo y luego vuelva a armar el tablero al revés de cómo lo desarmó.

OPERACIÓN DE LA PANTALLA TÁCTIL

Pantalla de control HVAC

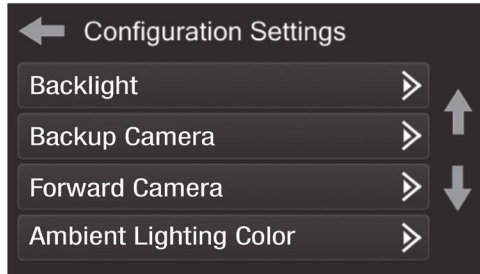


- Esta es la pantalla de control HVAC que se mostrará en la pantalla táctil. Esto se considera como la **pantalla principal**.
- Ignore la pestaña superior izquierda con (3) flechas; no se utilizará en esta aplicación.
- La etiqueta superior derecha con el ícono de engrane lo llevará a la pantalla de **Configuraciones**.
- Los controles del clima funcionarán del mismo modo que con los controles del clima de fábrica, solo que con botones en la pantalla táctil. El control de temperatura mostrará una escala numérica, siendo **LO** en más frío y **HI** el más caliente: **LO / 1-9 / HI**

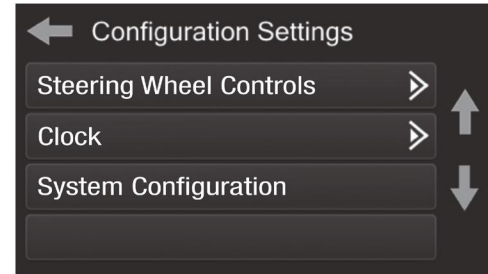
Continúa en la siguiente página

OPERACIÓN DE LA PANTALLA TÁCTIL (CONT.)

Pantalla de Configuraciones



- **Luz posterior**
 - Para controlar el color de los botones y la intensidad de la luz posterior.
- **Cámara de reversa**
 - Activa / desactiva la imagen de la cámara de respaldo en la pantalla táctil. Deshabilitado por defecto.
- **Cámara delantera** (ignorar esta aplicación)
- **Color de iluminación ambiental**
 - Para ajustar el color de la luz ambiental en el vehículo.



- **Controles en el volante**
 - Botones de reubicación: para reubicar los botones del control en el volante
 - Doble asignación: para doble asignación de los botones de control en el volante (presionar el botón por largo tiempo)
 - Seleccionar radio: para detectar automáticamente el radio o cambiar el tipo de radio
- **Reloj**
 - Para configurar el modo reloj y hora.
- **Configuración del sistema**
 - Acerca de - Información sobre el software en el kit
 - Unidad de temperatura - Para cambiar entre Celsius y Fahrenheit
 - Ganancia de amplificación digital - Para ajustar la ganancia de salida al amplificador
 - Restablecer el tipo de vehículo - Para restablecer el kit a la configuración predeterminada

CONFIGURACIÓN DEL CONTROL EN EL VOLANTE

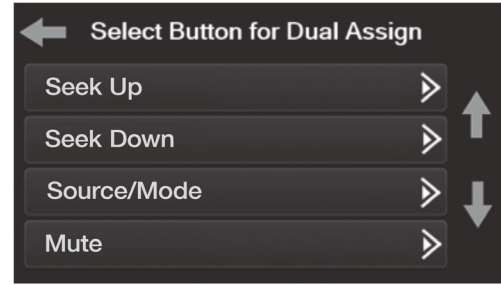
Pantalla para reubicar el botón



- La interfaz tiene la capacidad de cambiar la asignación de botón para los botones de audio del control en el volante, excepto para Subir volumen y Bajar volumen. Siga las indicaciones en la pantalla táctil para reubicar el(los) botón(es) de audio del control en el volante a su gusto.

Nota: El radio de mercado secundario puede no tener todos estos comandos. Consulte el manual del suministrado con el radio o comuníquese con el fabricante del radio para obtener los comandos específicos reconocidos por ese radio en particular.

Pantalla de doble asignación



- La interfaz tiene la capacidad de asignar dos funciones a un solo botón, excepto Subir volumen y Bajar volumen. Siga las indicaciones en la pantalla táctil para programar el(los) botón(es) a su gusto.

Nota: Buscar anterior y Buscar siguiente vienen programados como Subir preestablecido y Bajar preestablecido cuando se presiona el botón por largo tiempo.

Continúa en la siguiente página

Seleccionar la pantalla del radio



- Para mostrar qué marca de radio se “detecta automáticamente” a la interfaz, oprima el botón **Autodetect**. El radio detectado tendrá un círculo relleno. Si se muestra el radio incorrecto, seleccione **Pioneer**.

* **Nota:** Si la interfaz muestra un radio **Alpine**, eso significa que la interfaz no detecta un radio conectado a él; es decir, una conexión abierta. Verifique que el conector de 3.5 mm esté conectado al conector correcto del volante en el radio.

RESOLUCIÓN DE PROBLEMAS

Restablecimiento de la interfaz

Opción 1

1. Con todo conectado y el coche en marcha.
2. Mantenga presionados los botones inferiores (2) durante 3 segundos y luego suéltelos. (Figura A)
(La pantalla se volverá negra y luego lo pondrá en la pantalla de selección de vehículo)
3. Seleccione su vehículo y espere hasta que aparezca "SWC configurado" en la pantalla.
4. Apague el encendido y encienda el vehículo, luego pruebe su interfaz.

Opción 2

1. Con el vehículo en marcha, presione el botón **Reset Vehicle Type** mencionado en **System Configuration**.
2. Consulte **Programación**, paso 3, desde este punto.



(Figura A)



108-FD5CH

INSTRUCCIONES DE INSTALACIÓN



¿Tienes dificultades? Estamos aquí para ayudar.



Póngase en contacto con nuestra línea de soporte técnico en:
386-257-1187



O por correo electrónico a:
techsupport@metra-autosound.com

Horas de soporte técnico (hora estándar del este)

Monday - Friday: 9:00 AM - 7:00 PM

Saturday: 10:00 AM - 7:00 PM

Sunday: 10:00 AM - 4:00 PM



KNOWLEDGE IS POWER

Enhance your installation and fabrication skills by enrolling in the most recognized and respected mobile electronics school in our industry. Log onto www.installerinstitute.edu or call 386-672-5771 for more information and take steps toward a better tomorrow.



**Metra recomienda MECP
técnicos certificados**