



# INSTALLATION, USE AND CARE MANUAL



**GLA1 Series**



**GLA2 Series**



**MTR1 Series**



**MTR2 Series**

Serial number: \_\_\_\_\_ Part# 1115880

# Content

Page 3-6.....	Safety
Page 7-20.....	Installation
Page 21.....	Operation
Page 22.....	Maintenance and Cleaning
Page 23.....	Wiring Diagram
Page 24-25.....	Service Part
Page 26.....	Warranty

## SAFETY

This manual explains the proper installation and use of your range hood, please read it carefully before using even if you are familiar with the product. The manual should be kept in a safe place for future reference.

### Never to do:

- Do not try to use the range hood without the grease filters or if the filters are excessively greasy.
- Do not install above a range with a high level grill.
- Do not leave frying pans unattended during use because overheated fats or oils might catch fire.
- Never leave naked flames under the range hood.



- If the range hood is damaged, do not attempt to use.
- Do not burn anything under the range hood.
- CAUTION: Accessible parts may become hot when used with cooking appliances.
- The air must not be discharged into a flue that is used for exhausting fumes from appliances burning gas or other fuels. Range hoods and other cooking fume extractors may adversely affect the safe operation of appliances burning gas or other fuels (including those in other rooms) due to back flow of combustion gases. These gases can potentially result in carbon monoxide poisoning. After installation of a range hood or other cooking fume extractor, the operation of open flued gas appliances should be tested by a competent person to ensure that back

flow of combustion gases does not occur.



### Always to do:

- Important! Always switch off the electricity supply at the mains during installation and maintenance such as light bulb replacement.
- The range hood must be installed in accordance with the installation instructions and all measurements followed.
- All installation work must be carried out by a competent person or qualified electrician.
- Please dispose of the packing materials carefully. They could be risk to children.
- Make sure the ducting has no bends sharper than 90 degrees as this will reduce the efficiency of the range hood.
- Warning: Failure to install the screws or fixing device in accordance with these instructions may result in electrical hazards.
- Warning: Before obtaining access to terminals, all supply circuits must be disconnected.
- If the voltage rating of the lamp is less than the rated voltage of the appliance, the voltage rating of the lamp shall also be marked on or near the lamp holder.

- Always follows the cooking equipment manufacturer's requirements regarding the ventilation needs.
- Range hood is for domestic use only.



- If the supply cord is damaged, it must be replaced by the manufacturer, its service agent or similarly qualified persons in order to avoid a hazard.
- **Caution:** The appliance and its accessible parts can become hot during operation. Be careful to avoid touching the heating elements.
- There is a fire risk if cleaning is not carried out in accordance with the instructions.
- Regulations concerning the discharge of air have to be fulfilled.
- Clean your appliance periodically by following the method given in the chapter MAINTENANCE.

- For safety reason, please use only the same size of fixing or mounting screw which are recommended in this instruction manual.
- Regarding the details about the method and frequency of cleaning, please refer to maintenance and cleaning section in the instruction manual.
- Regarding the information about how the appliance is to be fixed to its support, please refer to Operation section, the Installation procedures in this manual.
- **WARNING:** Danger of fire: do not store items on the cooking surfaces.
- A steam cleaner is not to be used.
- **NEVER** try to extinguish a fire with water but switch off the appliance and then cover flame e.g. with a lid or a fire blanket.

# READ AND SAVE THESE INSTRUCTIONS

## IMPORTANT SAFETY INSTRUCTIONS

### **WARNING**

1. Before servicing or cleaning unit, unplug or disconnect the rangehood from the power supply.
2. TO REDUCE THE RISK OF A RANGE TOP GREASE FIRE:
  - A. Never leave surface units unattended at high settings. Boilovers cause smoking and greasy spillovers that may ignite. Heat oils slowly on low or medium settings.
  - B. Always turn hood ON when cooking at high heat or when flambeing food (i.e. Crepes Suzette, Cherries Jubilee, Peppercorn Beef Flambe).
  - C. Clean ventilating fans frequently. Grease should not be allowed to accumulate on fan or filter.
  - D. Use proper pan size. Always use cookware appropriate for the size of the surface element.
3. TO REDUCE THE RISK OF INJURY TO PERSONS IN THE EVENT OF A RANGE TOP GREASE FIRE, OBSERVE THE FOLLOWING:
  - A. SMOTHER FLAMES with a close-fitting lid, cookie sheet, or metal tray, then turn off the burner. BE CAREFUL TO PREVENT BURNS. If the flames do not go out immediately, EVACUATE AND CALL THE FIRE DEPARTMENT.
  - B. NEVER PICK UP A FLAMING PAN – You may be burned.
  - C. DO NOT USE WATER, including wet dishcloths or towels – a violent steam explosion will result.
  - D. Use an extinguisher ONLY if:
    - 1) You know you have a Class ABC extinguisher, and you already know how to operate it.
    - 2) The fire is small and contained in the area where it started.
    - 3) The fire department is being called.
    - 4) You can fight the fire with your back to an exit.
4. To reduce the risk of fire or electric shock, do not use this fan with any solid-state speed control device.

### **5. For the permanently-connected range hood**

TO REDUCE THE RISK OF FIRE, ELECTRIC SHOCK, OR INJURY TO PERSONS, OBSERVE THE FOLLOWING:

- A. Use this unit only in the manner intended by the manufacturer. If you have questions, contact the manufacturer.
- B. Before servicing or cleaning unit, switch power off at service panel and lock the service disconnecting means to prevent power from being switched on accidentally. When the service disconnecting means cannot be locked, securely fasten a prominent warning device, such as a tag, to the service panel.

### **6. For the cord-connected range hood**

WARNING: TO PROVIDE PROTECTION AGAINST ELECTRIC SHOCK, CONNECT TO PROPERLY GROUNDED OUTLETS ONLY.

7. This appliance is not intended for use by persons (including children) with reduced physical, sensory or mental capabilities, or lack of experience and knowledge, unless they have been given supervision or instruction concerning use of the appliance by a person responsible for their safety.
8. Children should be supervised to ensure that they do not play with the appliance.
9. If the SUPPLY CORD is damaged, it must be replaced by the manufacturer, its service agent or similarly qualified persons in order to avoid a hazard.
10. The air must not be discharged into a flue that is used for exhausting fumes from appliances burning gas or other fuels.
11. For best capture of cooking fumes, the bottom of the hood MUST NOT BE LESS than 18" for electric range or 26" for gas range and at a recommended maximum of 30" above the cooking surface (at installer discretion).
12. Regulations concerning the discharge of air have to be fulfilled.
13. To reduce the risk of fire, electric shock or injury to persons, do not use replacement parts that have not been recommended by the manufacturer (e.g. Parts made at home using a 3D printer).

**CAUTION:**

1. For general ventilating use only. Do not use to exhaust hazardous or explosive materials and vapors.
2. There shall be adequate ventilation of the room when the range hood is used at the same time as appliances burning gas or other fuels.
3. There is a fire risk if cleaning is not carried out in accordance with the instructions.
4. Accessible parts may become hot when used with cooking appliances.

# INSTALLATION

## **WARNING**

1. TO REDUCE THE RISK OF FIRE, USE ONLY METAL DUCTWORK.  
GROUNDING INSTRUCTIONS

### **2. For the cord-connected rangehood GROUNDING INSTRUCTIONS**

This appliance must be grounded. In the event of an electrical short circuit, grounding reduces the risk of electric shock by providing an escape wire for the electric current. This appliance is equipped with a cord having a grounding wire with a grounding plug. The plug must be plugged into an outlet that is properly installed and grounded.

**WARNING** - Improper grounding can result in a risk of electric shock.

Consult a qualified electrician if the grounding instructions are not completely understood, or if doubt exists as to whether the appliance is properly grounded.

Do not use an extension cord. If the power supply cord is too short, have a qualified electrician install an outlet near the appliance

### **3. For the permanently-connected rangehood**

TO REDUCE THE RISK OF FIRE, ELECTRIC SHOCK, OR INJURY TO  
PERSONS, OBSERVE THE FOLLOWING:

- A. Installation work and electrical wiring must be done by qualified person(s) in accordance with all applicable codes and standards, including fire-rated construction.
- B. Sufficient air is needed for proper combustion and exhausting of gases through the flue (chimney) of fuel burning equipment to prevent back drafting. Follow the heating equipment manufacturer's guideline and safety standards such as those published by the National Fire Protection Association (NFPA), and the American Society for Heating, Refrigeration and Air Conditioning Engineers (ASHRAE), and the local code authorities.
- C. When cutting or drilling into wall or ceiling, do not damage electrical wiring and other hidden utilities.
- D. Ducted fans must always be vented to the outdoors.
- E. If this unit is to be installed over a tub or shower, it must be marked as appropriate for the application and be connected to a GFCI (Ground Fault Circuit Interrupter) – protected branch circuit.
- F. Installation work and electrical wiring must be done by qualified person(s) in accordance with the National Electrical Code, ANSI/NFPA 70 and local codes. Before you begin installing, switch power off at service panel and lock the service disconnecting means to prevent power from being switched on accidentally. When the service disconnecting means cannot be locked, securely fasten a prominent warning device, such as a tag, to the service panel.
- G. Connect power cable to house wiring inside of electrical outlet box. Conductor of product identified as grounded conductor (WHITE) to be connected to a grounded conductor (WHITE) of power supply, conductor of product identified as ungrounded conductor (BLACK) to be connected to an ungrounded conductor (BLACK) of power supply, conductor of product identified for equipment grounding (GREEN) to be connected to an equipment grounding

(GREEN) conductor. Secure power cable to wiring box with appropriate wire clamp and re-attach outlet box cover.

## **⚠ CAUTION**

To reduce risk of fire and to properly exhaust air, be sure to duct air outside - Do not vent exhaust air into spaces within walls or ceilings or into attics, crawl spaces, or garages.

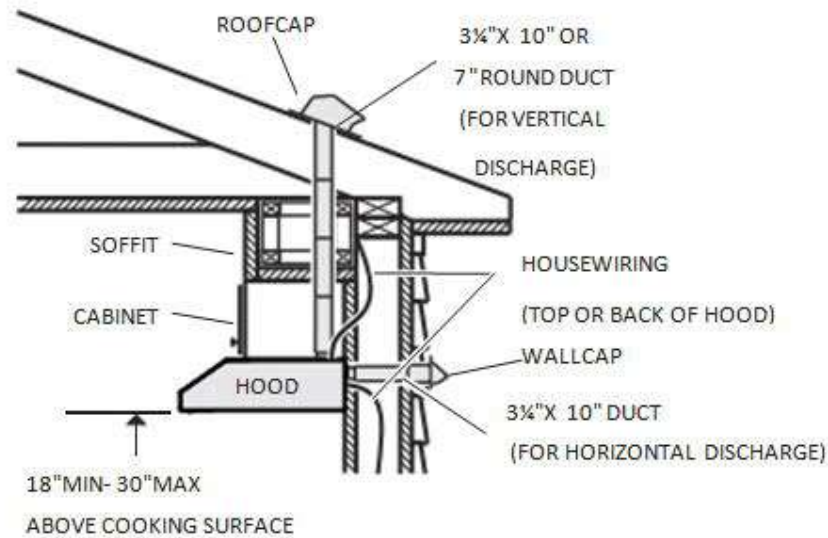
*For ADA compliance installation guidelines, please use kit HAWSK3 for GLA1 MTR1 series, HAWRK5 for GLA2 MTR2 series. Visit Broan website for installation instruction ([ADA Instructions Intermediate Hoods](#))*

## **Installation Preparation**

Recommended Tools and Accessories for Installation:

- Measuring tape
- Phillips screwdriver no. 2
- Nutdriver or socket 11/32"
- Flat blade screwdriver (to open knockout holes)
- Drill, 1/8" drill bit and 1½" hole saw (to mark holes for ducting and cut electrical access hole)
- Wood shims (2) and wood screws (4) (required for standard installation to framed cabinet)
- Saw (to cut holes for ducted application)
- Sheet metal shears (ducted installation only, for duct adjustment)
- Pliers (ducted installation only, for duct adjustment)
- Metal foil duct tape (for ducted applications)
- Scissors (to cut metal foil duct tape)
- Pencil
- Wire stripper
- Strain relief, 1/2" diameter (to secure house wiring cable to the hood)
- BP87Q Damper (needed if 7-in. round duct is used)

## Install Ductwork (Ducted Installations Only)



NOTE: Distances over 30" are at the installer and user discretion.

1. Determine whether hood will discharge vertically (3¼" x10" or 7" round), or horizontally (3¼" x10" only).
2. Decide where the ductwork will run between the hood and the outdoors.
3. The ducting from this fan to the outside of the building has a strong effect on the air flow, noise and energy use of the fan. Use the shortest, straightest duct routing possible for best performance, and avoid installing the fan with smaller ducts than recommended. Insulation around the ducts can reduce energy loss and inhibit mold growth. Fans installed with existing ducts may not achieve their rated airflow. Refer to the table below to help you plan the most efficient installation.
4. Install wall cap or roof cap (sold separately); ensure there is no leak in house insulation.
5. Connect metal ductwork to cap and work back towards the hood location. Use 2" metal foil duct tape to seal the joints between ductwork sections.

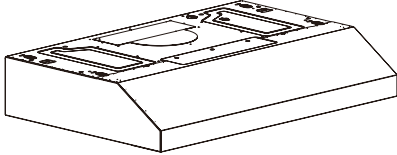

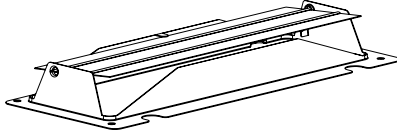

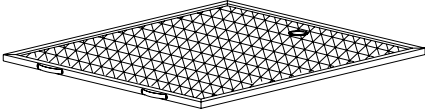
3¼" X10" HORIZONTAL MAXIMUM DUCT LENGTH	3¼" X10" VERTICAL MAXIMUM DUCT LENGTH	7" ROUND MAXIMUM DUCT LENGTH	ROOF OR WALL CAP WITH DAMPER	ELDOW(S)* (90° AND/OR 45°)
90 ft.	94 ft.	78 ft.	1	0
82 ft.	86 ft.	65 ft.	1	1
74 ft.	79 ft.	51 ft.	1	2


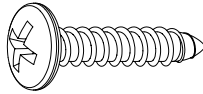
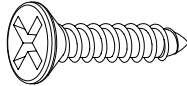
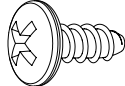
\* Standard elbows with 1" internal radius

NOTE: 6" round ducting is possible but may reduce exhaust efficiency.

## Contents

Before proceeding to the installation, check the contents of the box. If items are missing or damaged, contact the manufacturer. Make sure that the following items are included:

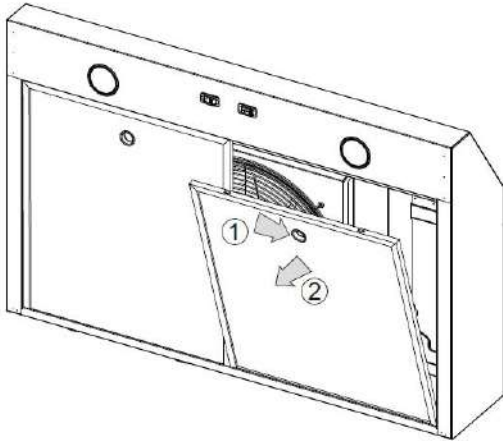
No.	ITEM	PIC	QTY
1	HOOD		1
2	7" ROUND DUCT		1
3	3¼" x10" DUCT		1
4	PART BAG		1
5	GREASE FILTERS		2

NO.	PARTS BAG CONTAINING	PIC	QTY
1	EZ1 bracket		2
2	ST 3/16" x 11/16" screw Large flat head self-tapping		6
3	ST 3/16" x 11/16" screw Countersunk self-tapping		4
4	ST 3/16" x 5/16" screw Large flat head self-tapping		5

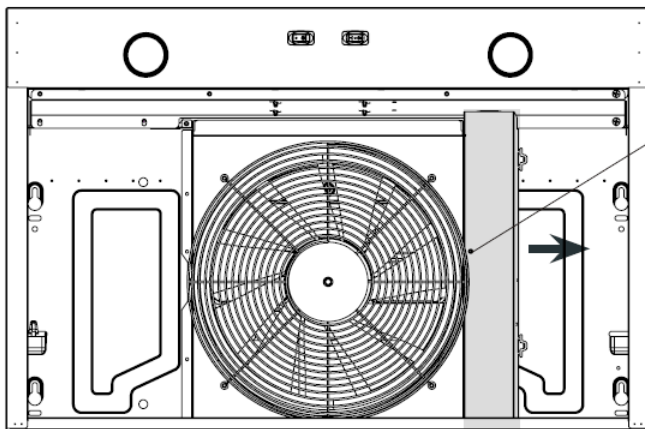
## Prepare the Hood

NOTE: Since this manual covers many range hood models, some details in the following illustrations may slightly differ from your unit.

1. If present, remove all protective polyfilm from the hood and/or parts.
2. Remove the filters by pushing down ① and tilting filters out ②.



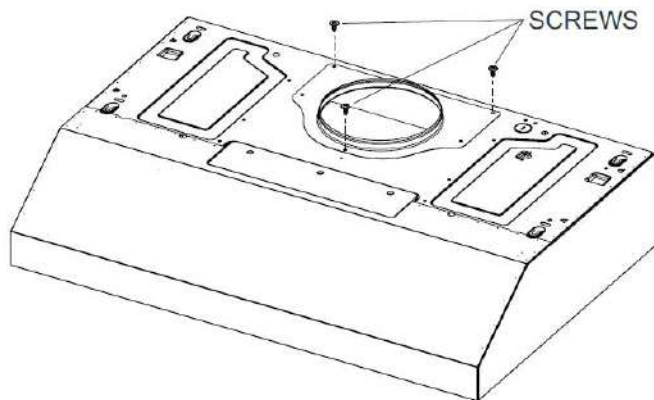
3.



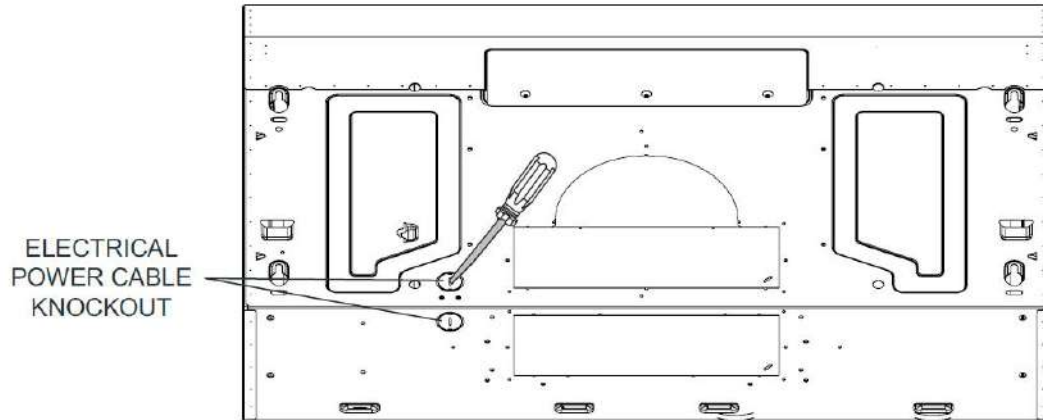
Remove the screw

Push rightward to take off the wiring cover.

4. Use Phillips screwdriver to remove the 3 screws on the 7" round duct. Take off the 7" round duct.

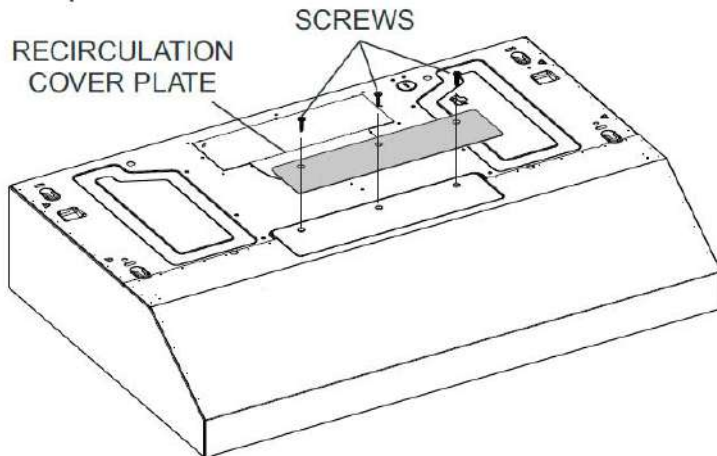


4. Remove Electrical Power Cable Knockout from top (vertical exhaust) or back (horizontal exhaust) of hood. For knockout removed from back of hood, install an appropriate strain relief, 1/2" diameter (not included).



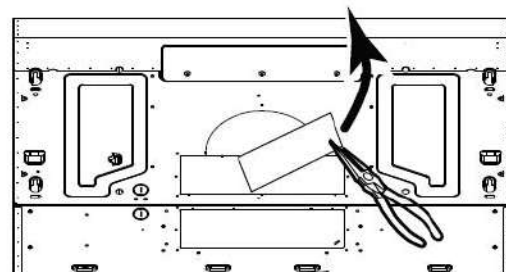
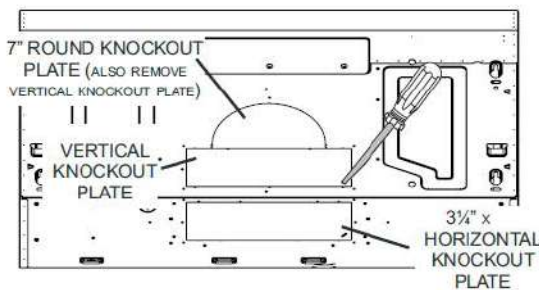
**5. FOR RECIRCULATION INSTALLATION ONLY**

Remove 3 screws retaining the recirculation cover plate to the hood. This plate is not needed for recirculation. Discard or keep for future use. Peel off and discard the membrane covering the recirculation grille, ensuring the openings are totally cleared.



**6. FOR DUCTED INSTALLATION ONLY**

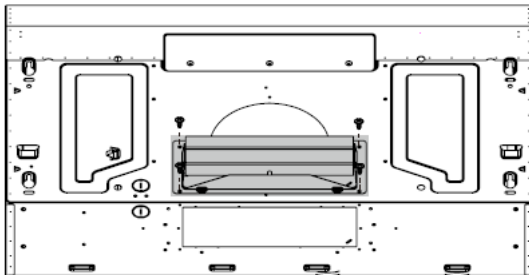
Remove 3 1/4" x 10" vertical, 3 1/4" x 10" horizontal or 7-inch round knockout plate as appropriate for your ducting method.



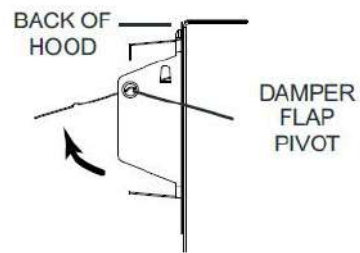
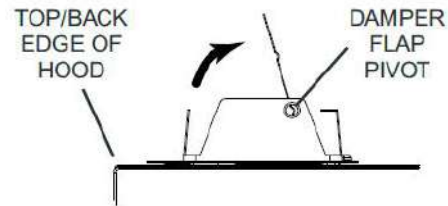
## 7. FOR DUCTED INSTALLATION ONLY

Use ST 3/16" x 5/16" screw to attach 3 1/4" x 10" Damper Assembly on top OR back of hood (if using 3 1/4" x 10" duct, see **Figure 2 A**) or 7" Round Duct Plate (if using 7-inch round duct, see **Figure 3**) over the knockout opening. When installed, the 3 1/4" x 10" damper assembly must open as shown in **Figure 2 B**.

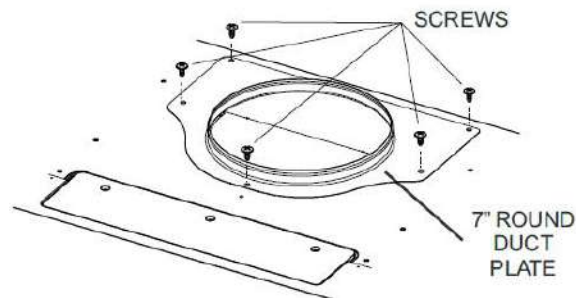
**Figure 2 A**



**Figure 2 B**



**Figure 3**



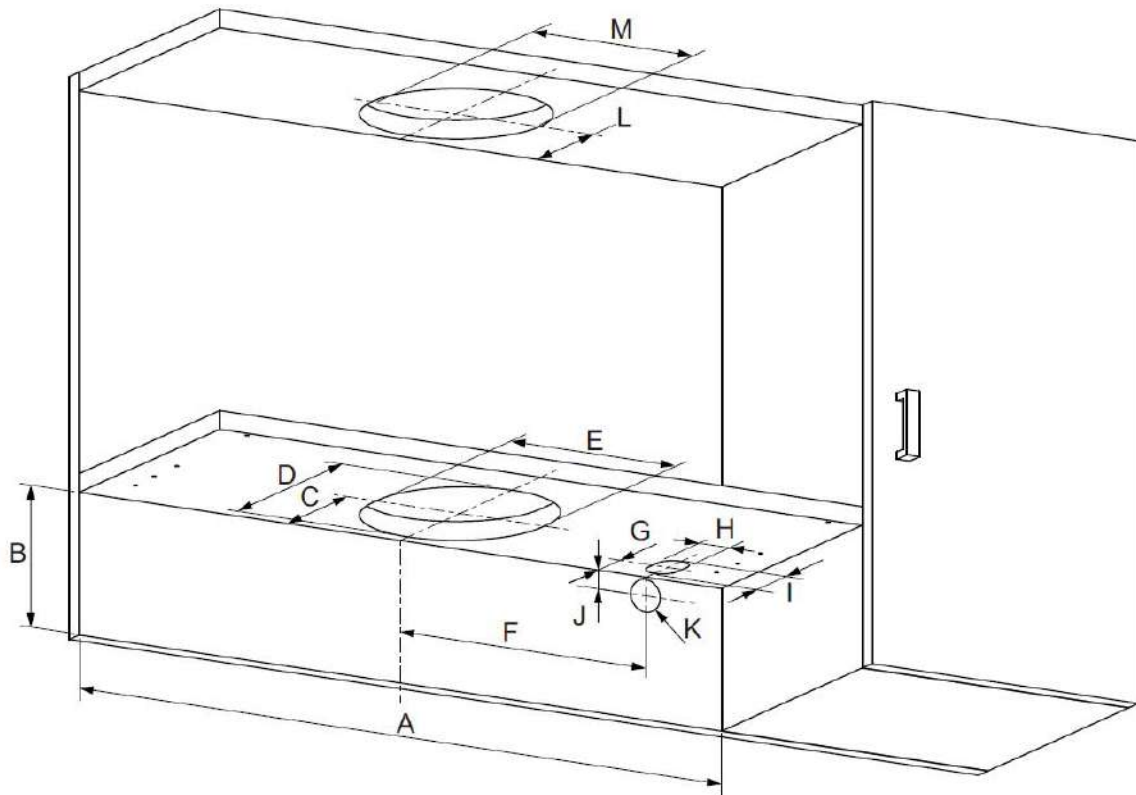
**TIP:** Insert a small length of duct over the 3 1/4" x 10" damper assembly (for rectangular ducting) or 7" round (for round ducting) and seal the joint using aluminum foil duct tape to ease connection with the house ductwork.

## Prepare the Hood Location

This manual covers 2 kinds of installation: the standard (without EZ1 brackets) and the EZ1 one-person installation system (using included brackets).

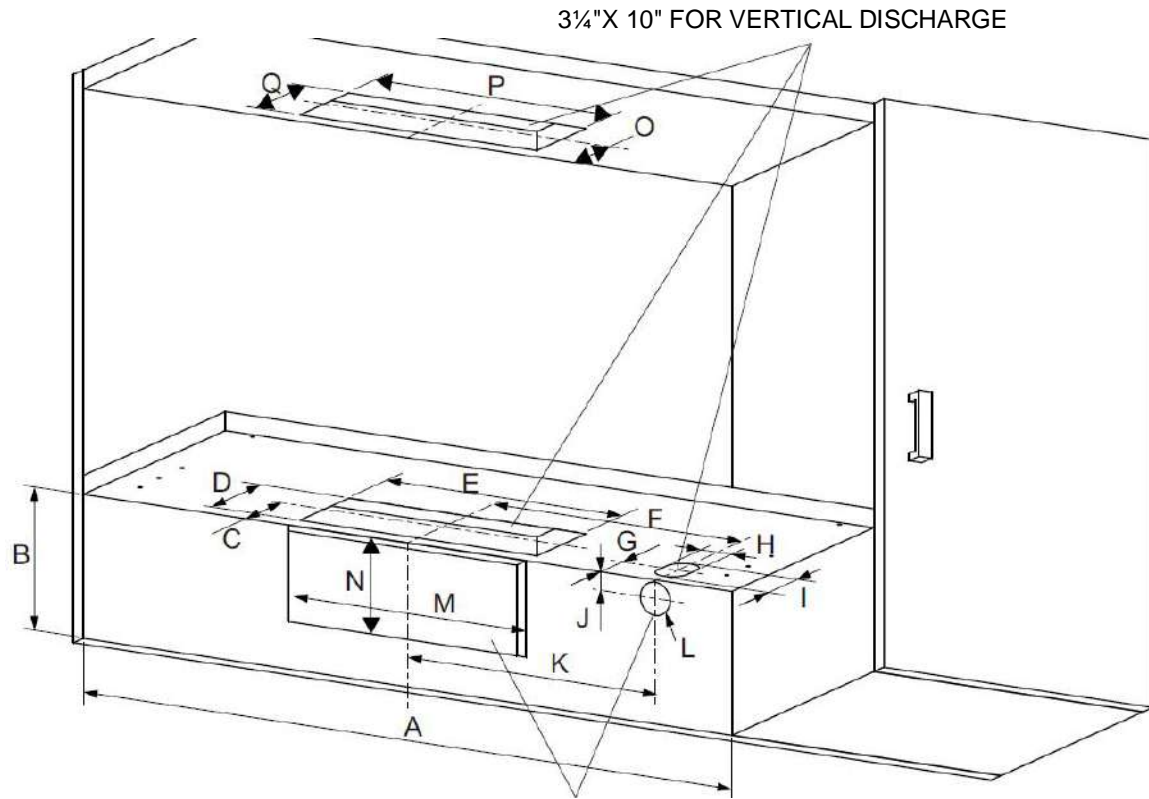
Cut the ducting holes and the hole for the wire to go through inside the cabinet, according to the ducting way you choose.

### For 7" round duct



A= 30 1/8" ; B= 6" for GLA, 5 1/8 " for MTR ; C=4 7/8" ; D=8 7/16" ; E= $\varnothing$  7 7/8" ;  
F=7 5/16" ; G=1 3/4" ; H= $\varnothing$  1 3/8" ; I=2 3/16" ; J=13/16" ; K= $\varnothing$  1 3/8" ; L=4 9/16" ;  
M= $\varnothing$  7 7/8"

**For 3 1/4" x 10" duct**

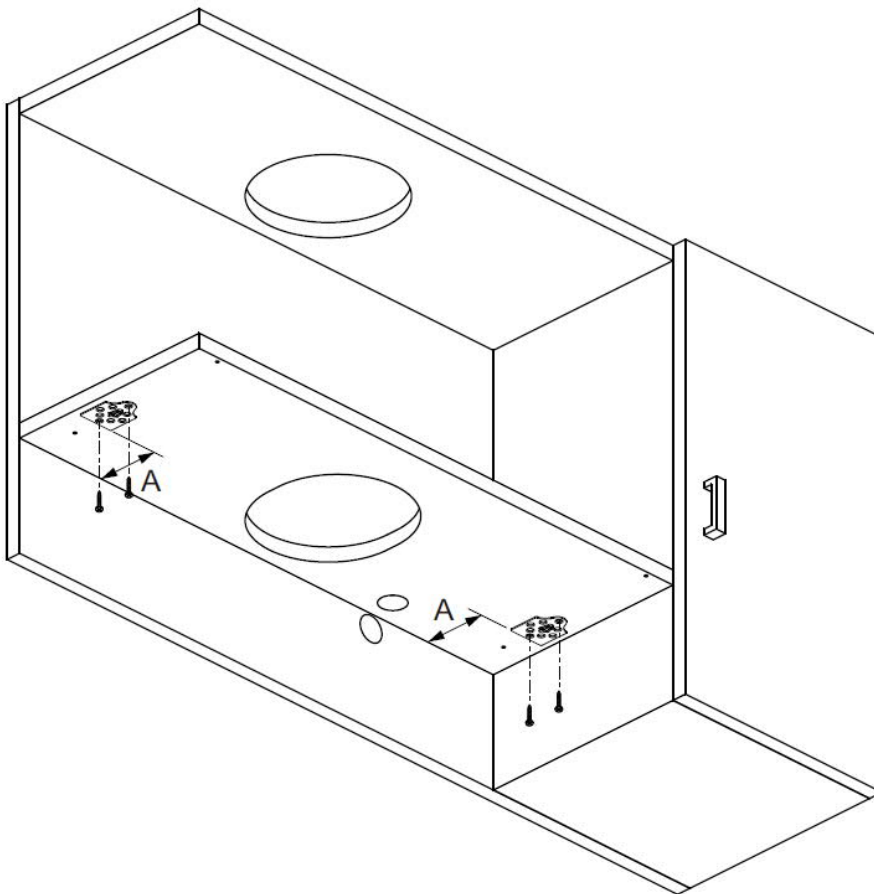


3 1/4" X 10" FOR HORIZONTAL DISCHARGE

A= 30 1/8" ; B= 6" for GLA, 5 1/8 " for MTR ; C=2 15/16" ; D=4 3/4" ; E= 11" ;  
 F=7 5/16" ; G=1 3/4" ; H=φ 1 3/8" ; I=φ 2 3/16" ; J=13/16" ; K=7 5/16" ; L=φ 1 3/8" ;  
 M=11" ; N=4" ; O=2 15/16"; P=11" ; Q=4 3/4"

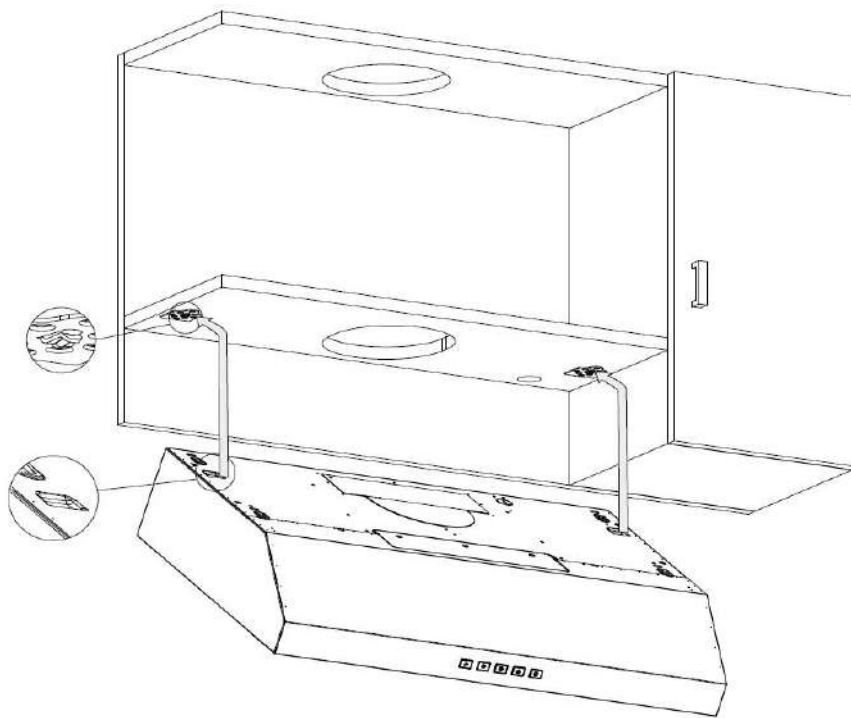
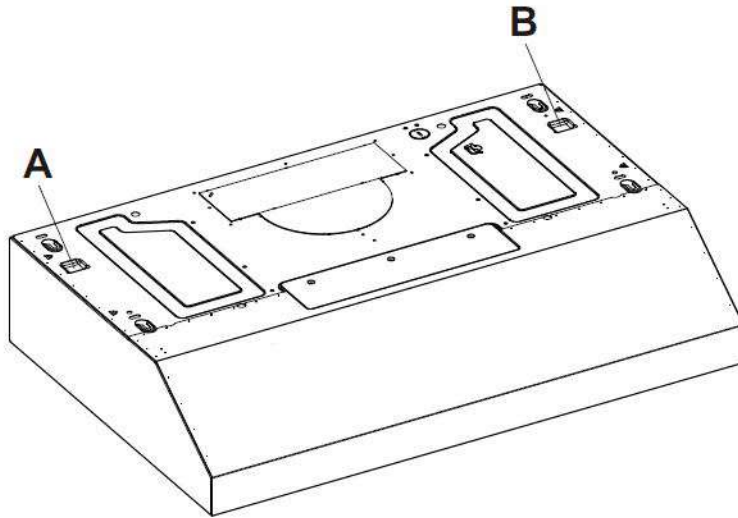
## Install the Hood (EZ1 Bracket)

1. Run house power cable between service panel and hood location.
2. Use 4 pcs ST 3/16" x 11/16" screws (countersunk self tapping) to fix the 2 pcs EZ1 brackets onto the cabinet.

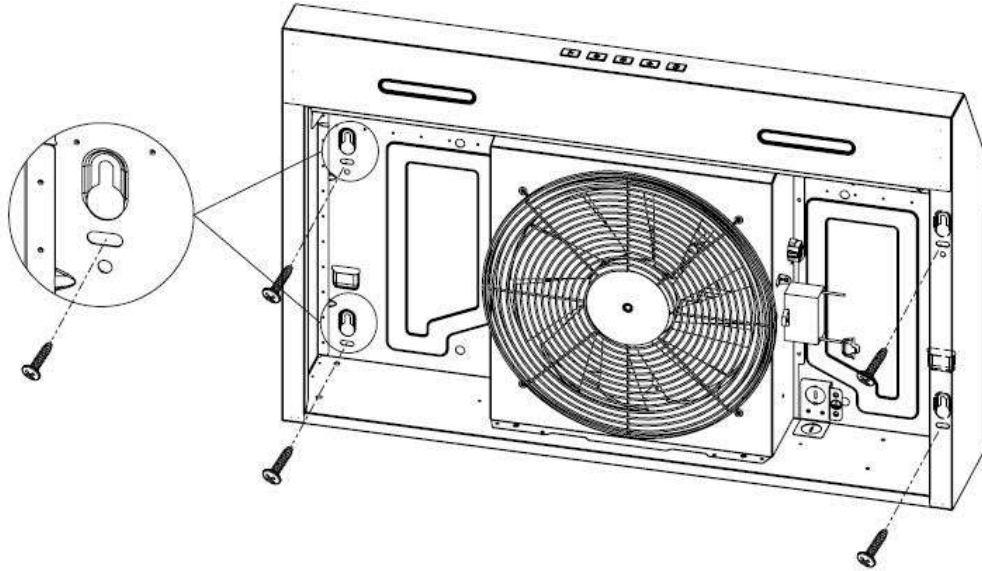


A=3 3/8"

3. Lift the hood. Insert the A B positions of the hood into the EZ1 brackets.



4. **TEMPORARILY** hang the hood by the EZ1 brackets. While holding the hood, run the house power cable into the hood through the strain relief previously installed.
5. Fasten the hood by installing 4 pcs ST 3/16" x 11/16" screws (large flat head self tapping) into slots.

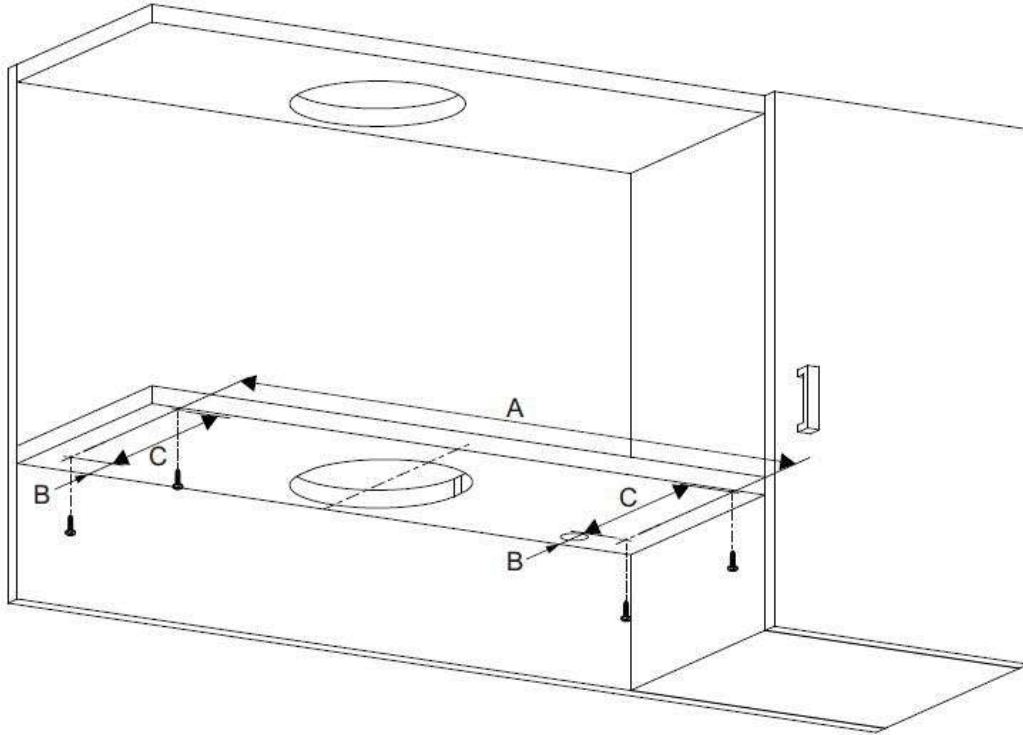


**6. FOR DUCTED INSTALLATION ONLY**

Connect the ductwork to the hood and use metal foil duct tape to make joints secure and air-tight. Make sure the damper assembly (or round duct plate) enters the ductwork and that the damper opens and closes freely.

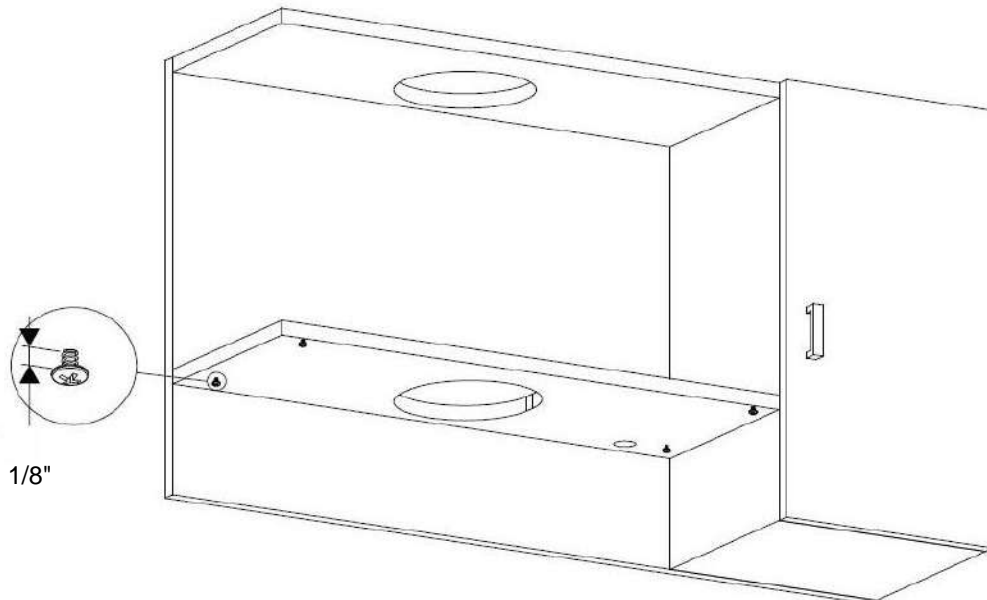
## Install the Hood (Standard Installation)

1. Run house power cable between service panel and hood location.
2. Installing 4 pcs ST 3/16" x 11/16" screws (large flat head self tapping) into the cabinet according to the positions on the below drawing.

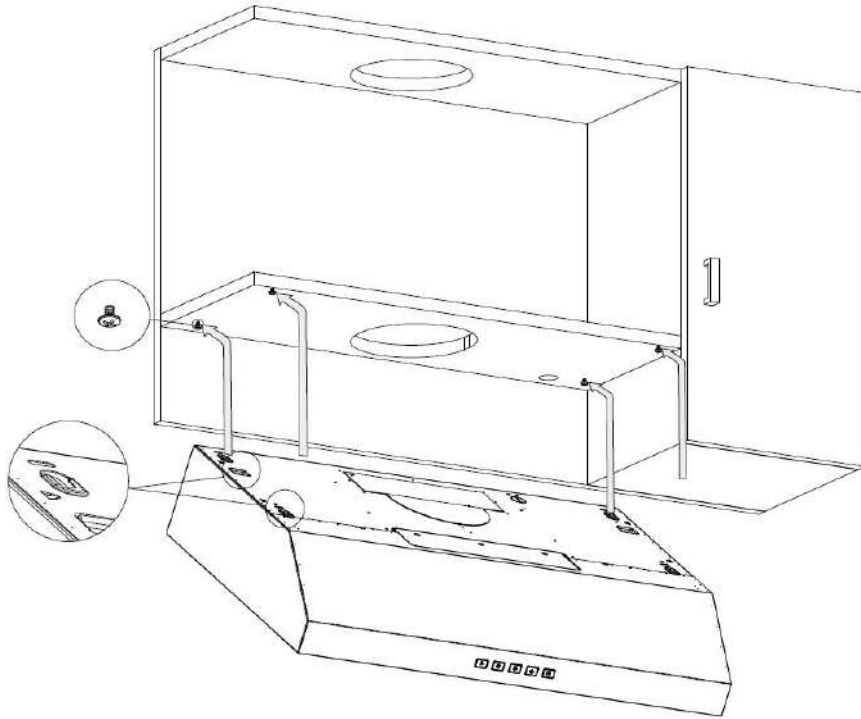


A=27 1/4" ; B=2 1/16" ; C=9 1/16"

NOTICE: Leave 1/8" between the screw head and the cabinet.

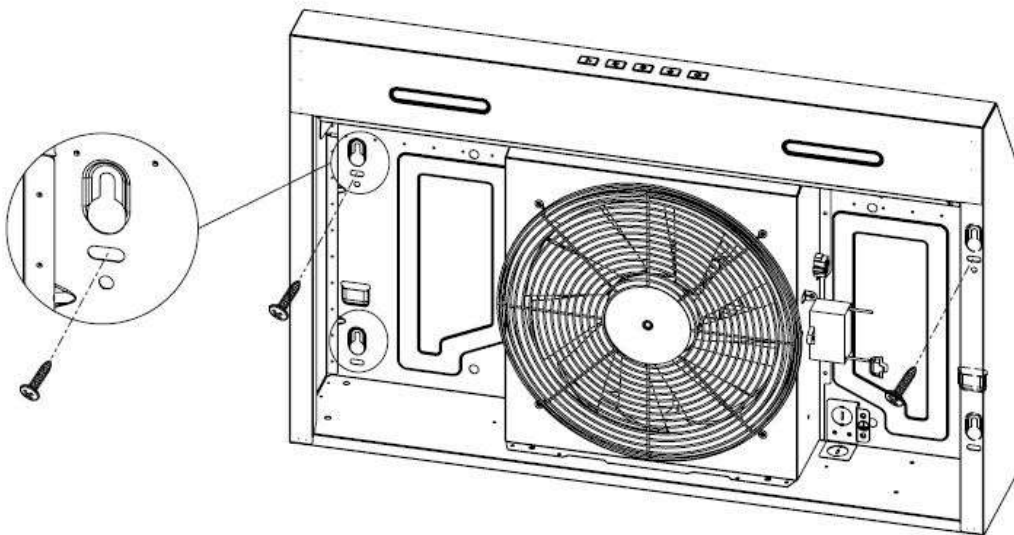


3. Lift the hood. Insert the 4 holes onto the screws. Slide the hood in place.



4. While holding the hood, run the house power cable into the hood through the strain relief previously installed.

5. Use 2 pcs ST 3/16" x 11/16" screws (large flat head self tapping) to fix the hood.



6. Then tighten the other 4 pcs ST 3/16" x 11/16" screws that are installed at step 2.

**7. (FOR DUCTED INSTALLATION ONLY)**

Connect the ductwork to the hood and use metal foil duct tape to make joints secure and air-tight. Make sure the damper assembly (or round duct plate) enters the ductwork and that the damper opens and closes freely.

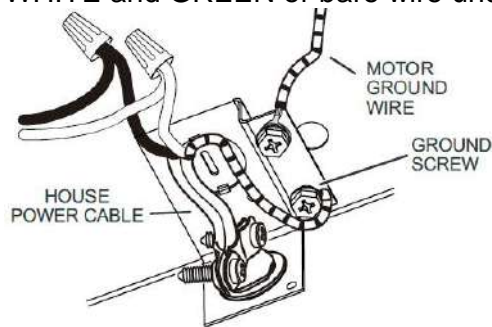
## Connect the Wiring

### WARNING

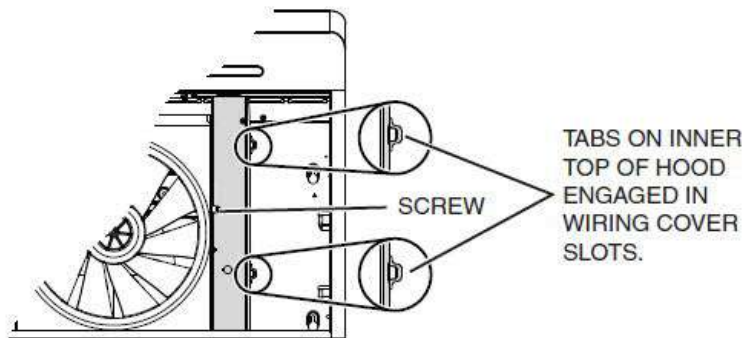


**Risk of electric shock. Electrical wiring must be done by qualified personnel in accordance with all applicable codes and standards. Before connecting wires, switch power off at service panel and lock service disconnecting means to prevent power from being switched on accidentally.**

1. Connect House Power Cable to range hood wiring: BLACK to BLACK, WHITE to WHITE and GREEN or bare wire under GREEN ground screw.



2. Reinstall wiring cover and attach it to the hood using its retaining screw.



## Install the Filters

### **(FOR DUCTED INSTALLATION ONLY)**

Re-install grease filters removed in step 1 , under“Prepare the Hood”.

### **(FOR NON-DUCTED INSTALLATION ONLY)**

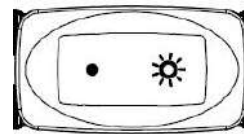
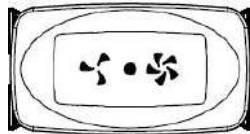
Purchase two non-ducted filters from your local distributor or retailer (see product specification label for filter type). Attach the non-ducted filters following instructions packed with the non-ducted filters.






## OPERATION

Always turn your hood on before you begin cooking to establish an air flow in the kitchen. Let the blower run for a few minutes to clear the air after you turn off the range. This will help keep the whole kitchen cleaner and fresher.

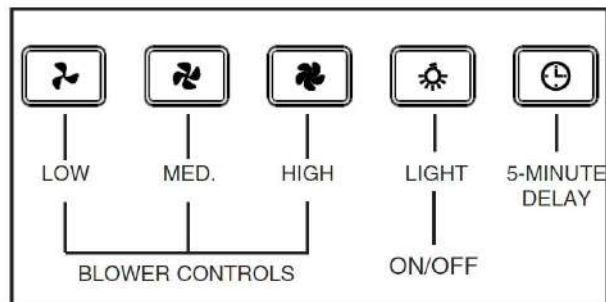
Operate the hood as follows:

### **A. Rocker Switch**



1. Press  to turn on blower at low speed
  2. Press  to turn blower off.
  3. Press  to turn on blower at high speed
1. Press  to turn light on.
  2. Press  to turn light off.

### **B. Soft Touch Control**



1. Push the light button to turn the lights on and off. 1<sup>st</sup> press, light on low lighting level. 2<sup>nd</sup> press, light on high lighting level.

2. Push the blower controls to select low, medium, or high blower speed (for each speed selected, its indicating light will beam).
3. Press on the current blower speed another time to stop it.
4. While the blower is activated, press the 5-minute delay button once (its indicating light will beam) to get the hood running for 5 minutes and then turn off automatically. When the 5-minute delay is activated, changing the blower speed will cancel the 5-minute delay function. To cancel the delay off function before the end of the 5-minute cycle, press again on delay off push button or select an other blower speed.

## MAINTENANCE AND CLEANING

Proper maintenance of the Range Hood will assure proper performance of the unit.

### **MOTOR**

The motor is permanently lubricated and never needs oiling. If the motor bearings make excessive or unusual noise, replace the motor with the exact service motor. When replacing the motor, it is recommended to also change the fan blade.

### **GREASE FILTERS**

The grease filters should be cleaned frequently. Use a warm dishwashing detergent solution.

Grease filters are dishwasher safe.

Clean all-metal filters in the dishwasher using a non-phosphate detergent.

Discoloration of the filters may occur if using phosphate detergents, or as a result of local water conditions - but this will not affect filter performance. This discoloration is not covered by the warranty. To minimize or prevent discoloration, hand wash filters using a mild detergent.

### **NON-DUCTED RECIRCULATION FILTERS**

The non-ducted recirculation filters should be changed every 3 to 6 months.

Replace more often if your cooking style generates extra grease, such as frying and wok cooking. Refer to installation instructions included with non-ducted recirculation filters.

### **FAN BLADE**

The fan blade should be cleaned frequently. Use a clean cloth soaked with warm detergent solution.

### **STAINLESS STEEL CLEANING**

**Do:**

- Regularly wash with clean cloth or rag soaked with warm water and mild soap or liquid dish detergent.
- Always clean in the direction of original polish lines.
- Always rinse well with clear water (2 or 3 times) after cleaning. Wipe dry completely.

- You may also use a specialized household stainless steel cleaner.

**Don't:**

- Use any steel or stainless steel wool or any other scrapers to remove stubborn dirt.
- Use any harsh or abrasive cleansers.
- Allow dirt to accumulate.
- Let plaster dust or any other construction residues reach the hood. During construction/ renovation, cover the range hood to make sure no dust sticks to the stainless steel surface.

**Avoid when choosing a detergent:**

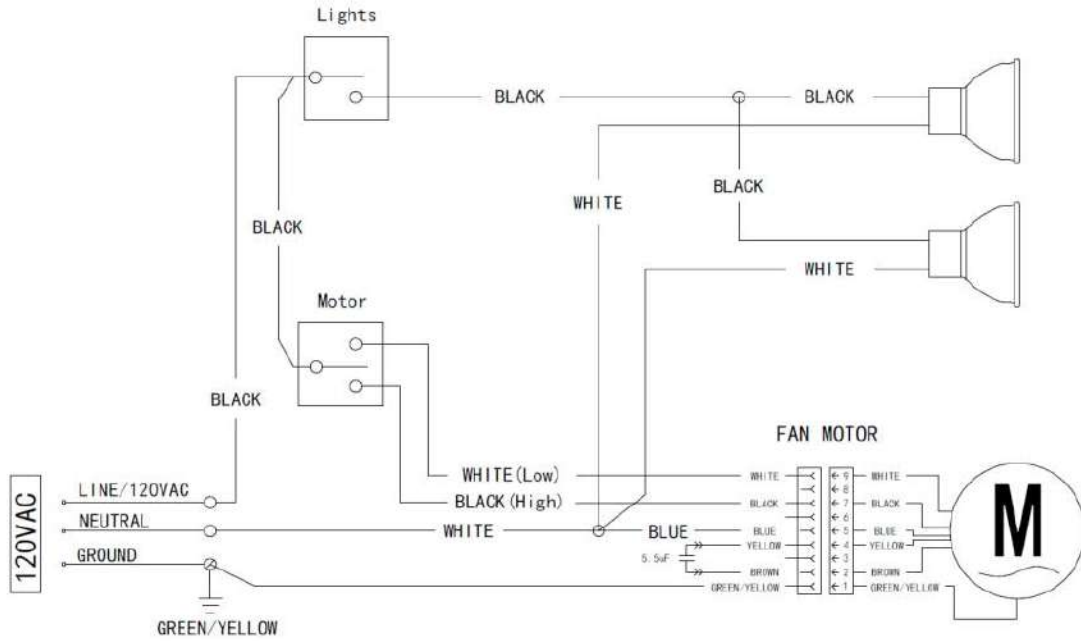
- Any cleaners that contain bleach will attack stainless steel.
- Any products containing: chloride, fluoride, iodide, bromide will deteriorate surfaces rapidly.
- Any combustible products used for cleaning such as acetone, alcohol, ether, benzol, etc., are highly explosive and should never be used close to a range.

**PAINTED FINISH CLEANING:**

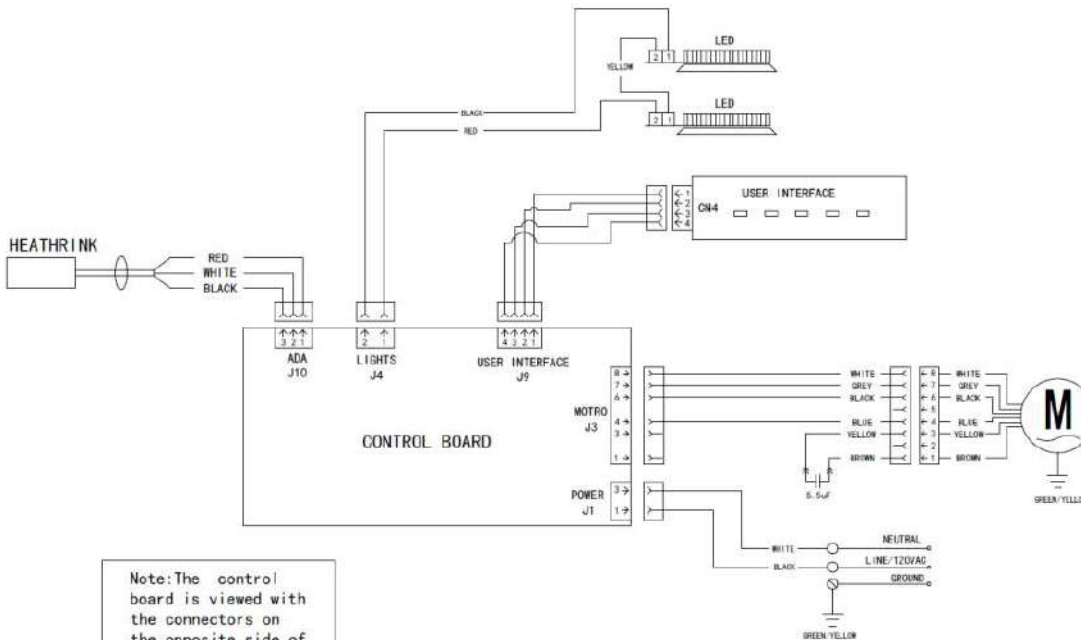
Clean with warm water and mild detergent only. If discoloration occurs, use a finish polish such as automotive polish. (DO NOT use rough abrasive cleaner or porcelain cleaner.)

# WIRING DIAGRAM

GLA1& MTR1 series:



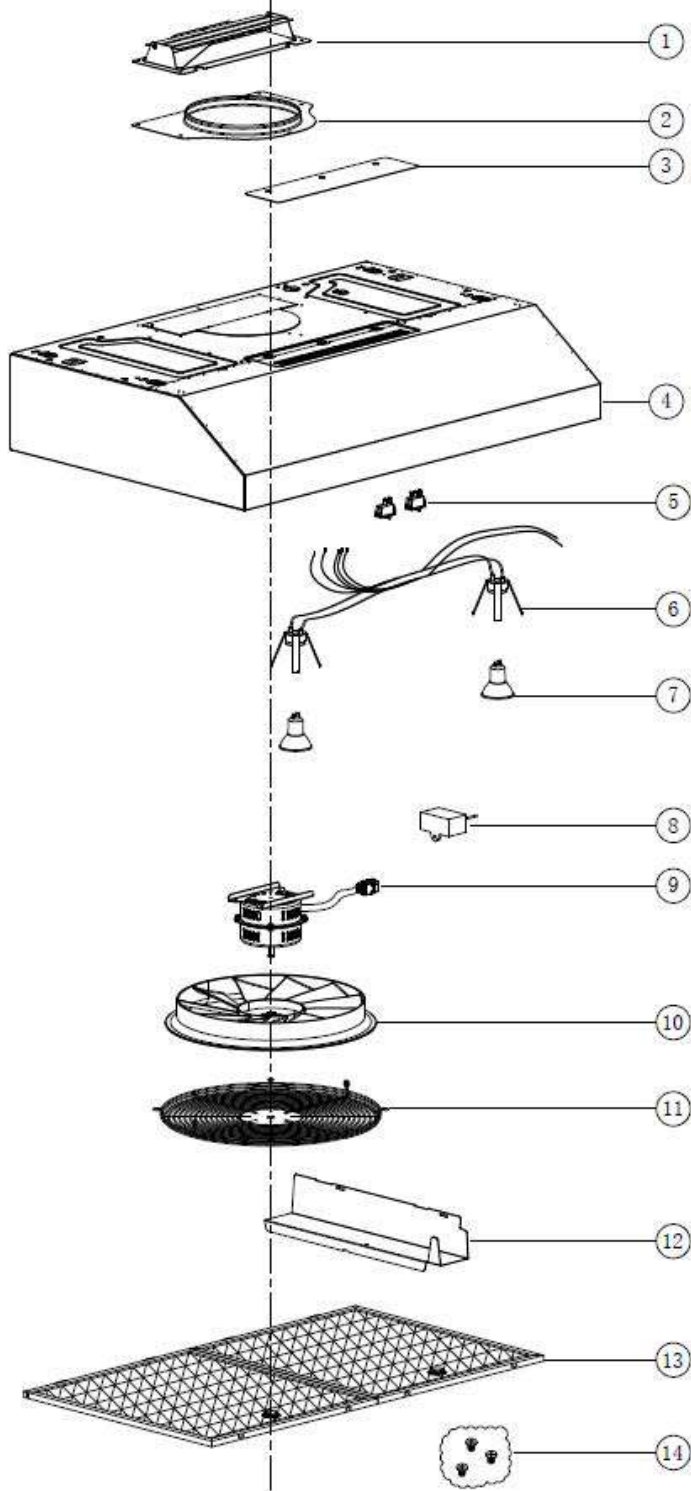
GLA2& MTR2 series:



Note: The control board is viewed with the connectors on the opposite side of the board

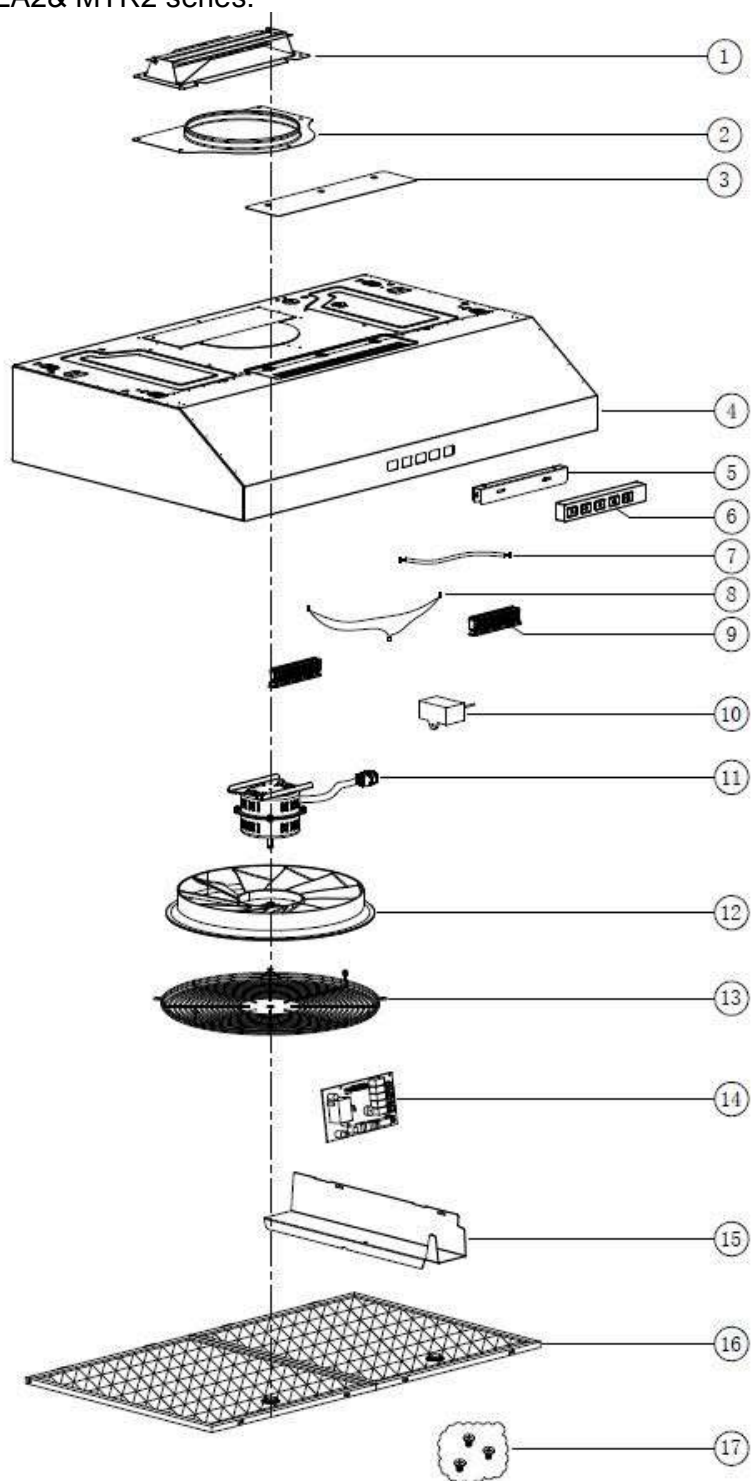
# SERVICE PART

GLA1& MTR1 series:



No.	Part Code	Description	Qty
1	S97020534	3-1/4" X 10" ADAPTOR/DAMPER (INCL. SCREWS)	1
2	SR680508	7" ROUND DUCT ADAPTOR (INCL. SCREWS)	1
3	S1115687	RECIRCULATION COVER PLATE, WHITE (INCL. SCREWS)	1
	S1115688	RECIRCULATION COVER PLATE, BLACK (INCL. SCREWS)	1
	S1115689	RECIRCULATION COVER PLATE, STAINLESS STEEL (INCL. SCREWS)	1
	S1115690	RECIRCULATION COVER PLATE, BLACK STAINLESS (INCL. SCREWS)	1
5	S99030379	ROCKER SWITCH, GREY (SET OF 2)	1 set
	S1115672	ROCKER SWITCH, WHITE (SET OF 2)	1 set
	S1115673	ROCKER SWITCH, BLACK (SET OF 2)	1 set
6	S1115671	Harness for rocker switch control	1 set
7	S1110531	LED BULB GU10	2
8	S1115679	CAPACITOR 5.5uF SINGLE BLOWER (INCL. HARDWARE)	1
9	S1115680	MOTOR SINGLE BLOWER (INCL. HARDWARE)	1
10	S1115681	SINGLE BLOWER WHEEL W/ CLIP	1
11	S1115682	SINGLE BLOWER GUARD (INCL. SCREWS)	1
12	S1115683	WIRING COVER F/ SINGLE BLOWER (INCL. SCREW)	1
13	S99010434-002	GREASE FILTER - MICRO MESH 30" HOOD (SET OF 2)	1 set
14	S1115686	PARTS BAG INCLUDING EZ1 BRACKETS	1 set

GLA2& MTR2 series:



No.	Part Code	Description	Qty
1	S97020534	3-1/4" X 10" ADAPTOR/DAMPER (INCL. SCREWS)	1
2	SR680508	7" ROUND DUCT ADAPTOR (INCL. SCREWS)	1
3	S1115687	RECIRCULATION COVER PLATE, WHITE (INCL. SCREWS)	1
	S1115688	RECIRCULATION COVER PLATE, BLACK (INCL. SCREWS)	1
	S1115689	RECIRCULATION COVER PLATE, STAINLESS STEEL (INCL. SCREWS)	1
	S1115690	RECIRCULATION COVER PLATE, BLACK STAINLESS (INCL. SCREWS)	1
5&6	S1115676	CAPTOUCH CONTROL, STAINLESS STEEL (INCL. SCREWS)	1
	S1115677	CAPTOUCH CONTROL, WHITE (INCL. SCREWS)	1
	S1115678	CAPTOUCH CONTROL, BLACK STAINLESS (INCL. SCREWS)	1
7&8	S1115685	HARNESS KIT (INCL. CONTROL, LIGHT & POWER HARNESS)	1 set
9	S97020444	LED MODULE (PAIR)	1 set
10	S1115679	CAPACITOR 5.5uF SINGLE BLOWER (INCL. HARDWARE)	1
11	S1115680	MOTOR SINGLE BLOWER (INCL. HARDWARE)	1
12	S1115681	SINGLE BLOWER WHEEL W/ CLIP	1
13	S1115682	SINGLE BLOWER GUARD (INCL. SCREWS)	1
14	S1115683	MAIN PCB CAPTOUCH CONTROL (INCL. HARDWARE)	1
15	S1115675	WIRING COVER F/ SINGLE BLOWER (INCL. SCREW)	1
16	S99010434-001	GREASE FILTER - MICRO MESH 24" HOOD (SET OF 2)	1 set
17	S1115686	PARTS BAG INCLUDING EZ1 BRACKETS	1 set

## Limited Warranty

**Warranty Period and Exclusions:** Broan-NuTone LLC and Venmar Ventilation ULC (either being the "Company") warrants to the original consumer purchaser of its product ("you") that the product (the "Product") will be free from material defects in the Product or its workmanship for a period of one (1) year from the date of original purchase (or such longer period as may be required by applicable law). For Range Hood Product that includes built-in LED modules, the Company warrants the LED modules and driver to be free from material defects for a period of three (3) years from the date of purchase. The limited warranty period for any replacement parts provided by the Company and for any Products repaired or replaced under this limited

warranty shall be the remainder of the original warranty period (or such longer period as may be required by applicable law).

This warranty does not cover fluorescent lamp starters, tubes, halogen, incandescent and LED bulbs, fuses, filters, ducts, roof caps, wall caps and other accessories for ducting that may be purchased separately and installed with the Product. This warranty also does not cover (a) normal maintenance and service, (b) normal wear and tear, (c) any Products or parts which have been subject to misuse, abuse, abnormal usage, negligence, accident, improper or insufficient maintenance, storage or repair (other than repair by the Company), (d) damage caused by faulty installation, or installation or use contrary to recommendations or instructions, (e) any Product that has been moved from its original point of installation, (f) damage caused by environmental or natural elements, (g) damage in transit, (h) natural wear of finish, (i) Products in commercial or nonresidential use, or (j) damage caused by fire, flood or other act of God or (k) Products with altered, defaced or removed serial numbers. This warranty covers only Products sold to original consumers in the United States and Canada by the Company or its U.S. and Canadian distributors authorized by the Company.

This warranty supersedes all prior warranties and, subject to applicable law, is not transferable from the original consumer purchaser.

**No Other Warranties:** This Limited Warranty contains the Company's sole obligation and your sole remedy for defective products. The foregoing warranties are exclusive and in lieu of any other warranties and conditions, express or implied. THE COMPANY DISCLAIMS AND EXCLUDES ALL OTHER EXPRESS WARRANTIES AND CONDITIONS AND DISCLAIMS AND EXCLUDES ALL WARRANTIES AND CONDITIONS IMPLIED BY LAW, INCLUDING WITHOUT LIMITATION THOSE OF MERCHANTABILITY AND FITNESS FOR A PARTICULAR PURPOSE. To the extent that applicable law prohibits the exclusion of implied warranties or conditions, the duration of any applicable implied warranty or condition is limited to the period specified for the express warranty above. Some jurisdictions do not allow limitations on how long an implied warranty lasts, so the above limitation may not apply to you. Any oral or written description of the Product is for the sole purpose of identifying it and shall not be construed as an express warranty.

Whenever possible, each provision of this Limited Warranty shall be interpreted in such manner as to be effective and valid under applicable law, but if any provision is held to be prohibited or invalid, such provision shall be ineffective only to the extent of such prohibition or invalidity, without invalidating the remainder of such provision or the other remaining provisions of the Limited Warranty.

**Remedy:** During the applicable limited warranty period, the Company will, at its option, provide replacement parts for, or repair or replace, without charge, any Product or part thereof, to the extent the Company finds it to be covered by and in breach of this limited warranty under normal use and service. The Company will ship the repaired or replaced Product or replacement parts to you at no charge. You are responsible for all costs for removal, reinstallation and shipping, insurance or other freight charges incurred in the shipment of the Product or part to the Company. If you must send the Product or part to the Company, as instructed by the Company, you must properly pack the Product or part—the Company is not responsible for damage in transit. The Company reserves the right to utilize reconditioned, refurbished, repaired or remanufactured Products or parts in the warranty repair or replacement process. Such Products and parts will be comparable in function and performance to an original Product or part and warranted for the remainder of the original warranty period (or such longer period as may be required by applicable law).

Company reserves the right, in its sole discretion, to refund the money actually paid by you for the Product in lieu of repair or replacement. If the Product or component is no longer available, replacement may be made with a similar product of equal or greater value, at Company's sole discretion. This is your sole and exclusive remedy for breach of this limited warranty.

**Exclusion of Damages:** THE COMPANY'S OBLIGATION TO PROVIDE REPLACEMENT PARTS, OR REPAIR, REPLACE OR REFUND, AT THE COMPANY'S OPTION, SHALL BE YOUR SOLE AND EXCLUSIVE REMEDY UNDER THIS LIMITED WARRANTY AND THE COMPANY'S SOLE AND EXCLUSIVE OBLIGATION. THE COMPANY SHALL NOT BE LIABLE FOR INCIDENTAL, INDIRECT, CONSEQUENTIAL OR SPECIAL DAMAGES ARISING OUT OF OR IN CONNECTION WITH THE PRODUCT, ITS USE OR PERFORMANCE. Incidental damages include but are not limited to such damages as loss of time and loss of use. Consequential damages include but are not limited to the cost of repairing or replacing other property which was damaged if the Product does not work properly.

THE COMPANY SHALL NOT BE LIABLE TO YOU, OR TO ANYONE CLAIMING UNDER YOU, FOR ANY OTHER OBLIGATIONS OR LIABILITIES, INCLUDING, BUT NOT LIMITED TO, OBLIGATIONS OR LIABILITIES ARISING OUT OF BREACH OF CONTRACT OR WARRANTY, NEGLIGENCE OR OTHER TORT OR ANY THEORY OF STRICT LIABILITY, WITH RESPECT TO THE PRODUCT OR THE COMPANY'S ACTS OR OMISSIONS OR OTHERWISE.

Some jurisdictions do not allow the exclusion or limitation of incidental or consequential damages, so the above limitation or exclusion may not apply to you. This warranty gives you specific legal rights, and you may also have other rights, which vary from jurisdiction to jurisdiction. The disclaimers, exclusions, and limitations of liability under this warranty will not apply to the extent prohibited by applicable law.

This warranty covers only replacement or repair of defective Products or parts thereof at the Company's main facility and does not include the cost of field service travel and living expenses.

Any assistance the Company provides to or procures for you outside the terms, limitations or exclusions of this limited warranty will not constitute a waiver of such terms, limitations or exclusions, nor will such assistance extend or revive the warranty.

The Company will not reimburse you for any expenses incurred by you in repairing or replacing any defective Product, except for those incurred with the Company's prior written permission.

**How to Obtain Warranty Service:** To qualify for warranty service, you must (a) notify the Company at the address or telephone number stated below within seven (7) days of discovering the covered defect, (b) give the model number and part identification and (c) describe the nature of any defect in the Product or part. At the time of requesting warranty service, you must present evidence of the original purchase date. If you cannot provide a copy of the original written limited warranty, then the terms of the Company's most current written limited warranty for your particular product will control. The most current limited written warranties for the Company's products can be found at [www.broan-nutone.com](http://www.broan-nutone.com) and [www.broan-nutone.ca](http://www.broan-nutone.ca).

Broan-NuTone LLC 926 West State Street, Hartford, Wisconsin, USA 53027 Broan-NuTone.com 800-558-1711  
Venmar Ventilation ULC, 550 Lemire Blvd., Drummondville, Québec, Canada J2C 7W9 Broan-NuTone.ca 800-567-3855

# BROAN®

## MANUEL D'INSTALLATION, D'UTILISATION ET D'ENTRETIEN



**Série GLA1**



**Série GLA2**



**Série MRT1**



**Série MRT2**

Numéro de série : \_\_\_\_\_

Pièce n° 1115880

# Table des matières

Page 3-6.....	Sécurité
Page 7-20.....	Installation
Page 21.....	Fonctionnement
Page 22.....	Entretien et nettoyage
Page 24.....	Schéma de câblage
Page 25-28.....	Pièces de rechange
Page 29.....	Garantie

## SÉCURITÉ

Ce manuel explique comment installer et utiliser correctement votre hotte de cuisine, veuillez le lire attentivement même si vous connaissez bien le produit.

Ce manuel doit être conservé en lieu sûr pour référence ultérieure.

### À ne jamais faire :

- Ne pas essayer d'utiliser la hotte sans les filtres à graisse ou si les filtres sont extrêmement gras.
- Ne pas installer la hotte au-dessus d'une cuisinière avec un grill surélevé.
- Ne pas laisser une poêle à frire sans surveillance pendant son utilisation car les graisses ou les huiles surchauffées peuvent s'enflammer.
- Ne jamais laisser des flammes nues sous la hotte.



- Si la hotte est endommagée, ne pas essayer de l'utiliser.
- Ne rien flamber sous la hotte.
- ATTENTION : Les pièces accessibles peuvent devenir chaudes lorsqu'elles sont utilisées avec des appareils de cuisson.
- L'air ne doit pas être évacué dans un conduit utilisé pour l'évacuation des fumées d'équipements alimentés au gaz ou autre combustible. Les hottes de cuisine et autres extracteurs de fumées de cuisson peuvent nuire à la sécurité de fonctionnement des équipements alimentés au gaz ou autre combustible (y compris ceux situés dans d'autres pièces). Ces gaz peuvent entraîner une intoxication au monoxyde de carbone. Après l'installation d'une hotte de cuisine ou autre extracteur de fumées de cuisson, le fonctionnement des équipements alimentés au gaz avec conduit d'évacuation doit être testé

par une personne compétente pour s'assurer qu'il n'y a pas de refoulement des gaz de combustion.



### À toujours faire :

- Important ! Toujours couper l'alimentation électrique réseau pendant l'installation et l'entretien, par exemple pour changer une ampoule.
- La hotte doit être installée conformément aux instructions d'installation et toutes les mesures doivent être respectées.
- Les travaux d'installation doivent être effectués par une personne compétente ou par un électricien qualifié.
- Éliminer les matériaux d'emballage avec soin. Ceux-ci peuvent présenter un risque pour les enfants.
- S'assurer que le conduit ne présente pas de coudes de plus de 90 degrés ce qui réduit l'efficacité de la hotte.
- Avertissement : La pose des vis ou du dispositif de fixation autrement que selon ces instructions peut entraîner un danger électrique.
- Avertissement : Avant tout accès aux bornes, les circuits d'alimentation doivent être déconnectés.
- Si la tension nominale de l'ampoule est inférieure à la tension nominale de l'appareil, elle doit être indiquée également sur la douille ou à proximité de celle-ci.

- Toujours respecter les exigences du fabricant de l'équipement de cuisson relatives aux besoins de ventilation.
- La hotte de cuisine est réservée à un usage domestique.



- Si le câble d'alimentation est endommagé, il doit être remplacé par le fabricant, son représentant ou une personne de qualification similaire pour éviter tout danger.
- Attention : L'appareil et ses pièces accessibles peuvent devenir chaudes en cours d'utilisation. Veillez à ne pas toucher les éléments chauffants.
- Il existe un risque d'incendie si le nettoyage n'est pas effectué conformément aux instructions.
- La réglementation concernant l'évacuation de l'air doit être respectée.
- Nettoyez périodiquement votre appareil en suivant la méthode

indiquée dans le chapitre ENTRETIEN.

- Pour des raisons de sécurité, veuillez utiliser uniquement des vis de fixation ou de montage de même dimension que celles recommandées dans ce manuel d'instructions.
- Pour plus de détails sur la méthode et la fréquence de nettoyage, veuillez consulter la section Entretien et nettoyage du manuel d'instructions.
- Pour les informations relatives à la fixation de l'appareil sur son support, veuillez consulter la section Fonctionnement, les procédures d'installation de ce manuel.
- **AVERTISSEMENT** : Risque d'incendie, ne rangez pas d'objets sur les surfaces de cuisson.
- Ne pas utiliser de nettoyeur à vapeur.
- N'essayez JAMAIS d'éteindre un incendie avec de l'eau. Arrêtez l'appareil puis recouvrez la flamme, par exemple à l'aide d'un couvercle ou d'une couverture antifeu.

# LISEZ CES DIRECTIVES ET CONSERVEZ-LES

## CONSIGNES DE SÉCURITÉ IMPORTANTES

### **AVERTISSEMENT**

1. Débranchez la hotte de l'alimentation électrique avant de nettoyer ou de réparer l'appareil.
2. **AFIN DE RÉDUIRE LES RISQUES DE FEU DE CUISINIÈRE :**
  - A. Ne jamais laisser les appareils de cuisson sans surveillance lorsqu'ils sont réglés à feu vif. Les débordements engendrent de la fumée et des déversements graisseux pouvant s'enflammer. Chauffez l'huile lentement, à feu doux ou moyen.
  - B. Mettez toujours la hotte en marche lorsque vous cuisinez à feu vif ou que vous cuisinez des mets flambés (par ex., crêpes Suzette, cerises jubilé, bœuf au poivre flambé).
  - C. Nettoyez régulièrement l'hélice du ventilateur. Ne laissez pas la graisse s'accumuler sur le ventilateur, le filtre ou les conduits d'évacuation.
  - D. Utilisez le bon format de casserole. Servez-vous toujours de casseroles et d'ustensiles appropriés à la dimension de la surface chauffante.
3. **AFIN DE RÉDUIRE TOUT RISQUE DE BLESSURES LORS D'UN FEU DE CUISINIÈRE, SUIVEZ CES DIRECTIVES :**
  - A. **ÉTOUFFEZ LES FLAMMES** avec un couvercle hermétique, une tôle à biscuits ou un plateau métallique et ensuite, éteignez le brûleur. **PRENEZ SOIN D'ÉVITER LES BRÛLURES. SI LES FLAMMES NE S'ÉTEIGNENT PAS IMMÉDIATEMENT, ÉVACUEZ LES LIEUX ET APPELEZ LES POMPIERS.**
  - B. **NE PRENEZ JAMAIS UNE CASSEROLE EN FLAMMES DANS VOS MAINS.** Vous pourriez vous brûler.
  - C. **N'UTILISEZ PAS D'EAU**, incluant un linge à vaisselle ou une serviette mouillée, cela pourrait occasionner une violente explosion de vapeur.
  - D. N'utilisez un extincteur **QUE DANS LE CAS OÙ :**
    - 1) Vous possédez un extincteur de classe ABC et vous connaissez le fonctionnement.
    - 2) Le feu est petit et limité à l'endroit où il a débuté.
    - 3) Les pompiers ont été avisés.
    - 4) Vous pouvez combattre le feu ayant accès à une sortie de secours.
4. Pour réduire les risques d'incendie ou de choc électrique, n'utilisez pas cet appareil avec une commande de vitesse à semi-conducteur additionnelle.
5. **Hotte branchée en permanence**  
**AFIN DE RÉDUIRE TOUT RISQUE DE BLESSURES, SUIVEZ CES DIRECTIVES :**
  - A. N'utilisez cet appareil que de la manière prévue par le fabricant. Si vous avez des questions, communiquez avec le fabricant.
  - B. Avant de procéder à l'entretien ou au nettoyage de l'appareil, coupez l'alimentation du panneau électrique et verrouillez l'interrupteur principal afin d'empêcher que le courant ne soit rétabli accidentellement. S'il est impossible de verrouiller l'interrupteur principal, apposez un message d'avertissement bien visible, par exemple une étiquette, sur le panneau électrique.

## **6. Hotte branchée avec un câble électrique**

**AVERTISSEMENT : POUR ASSURER LA PROTECTION CONTRE LES CHOCS ÉLECTRIQUES, NE BRANCHEZ L'APPAREIL QUE SUR UNE PRISE DE COURANT CORRECTEMENT MISE À LA TERRE.**

1. Cet appareil n'est pas destiné à être utilisé par des personnes (notamment des enfants) qui présentent des capacités physiques, sensorielles ou mentales réduites, ou qui manquent d'expérience et de connaissances, excepté si elles ont obtenu une assistance ou des instructions concernant l'utilisation de l'appareil de la part d'une personne responsable de leur sécurité.
2. Les enfants doivent être surveillés afin de s'assurer qu'ils ne jouent pas avec l'appareil.
3. Si le RACCORDEMENT ÉLECTRIQUE est endommagé, il doit être remplacé par du personnel qualifié conformément aux codes et standards en vigueur.
4. L'air ne doit pas être évacué dans un conduit utilisé pour l'évacuation des fumées d'équipements alimentés au gaz ou autre combustible.
5. Pour une meilleure évacuation des odeurs de cuisson, le bas de votre hotte devrait être situé À UN MINIMUM de 18 po pour une cuisinière électrique ou 26 po pour une cuisinière à gaz et à un maximum de 30 po au-dessus de la surface de cuisson (à la discrétion de l'installateur).
6. La réglementation relative à l'évacuation de l'air doit être respectée.
7. Pour réduire le risque d'incendie, de choc électrique ou de blessure, n'utilisez pas de pièces de rechange non recommandées par le fabricant (par exemple des pièces fabriquées à la maison avec une imprimante 3D).

### **ATTENTION :**

1. Pour ventilation générale uniquement. N'utilisez pas cet appareil pour évacuer des matières ou des vapeurs dangereuses ou explosives.
2. La pièce doit disposer d'une ventilation adéquate si la hotte est utilisée en même temps que des équipements alimentés au gaz ou autre combustible.
3. Afin de réduire les risques d'incendie, le nettoyage doit être effectué conformément aux instructions.
4. Certaines parties de l'appareil peuvent devenir chaudes lors de l'utilisation d'appareils de cuisson.

# INSTALLATION

## **AVERTISSEMENT**

1. POUR RÉDUIRE LES RISQUES D'INCENDIE, UTILISEZ UNIQUEMENT DES CONDUITS MÉTALLIQUES. INSTRUCTIONS DE MISE À LA TERRE

### **2. Pour une hotte branchée avec un câble électrique**

#### **INSTRUCTIONS DE MISE À LA TERRE**

Cet appareil doit être mis à la terre. En cas de court-circuit, la mise à la terre réduit les risques de choc électrique en permettant au courant de passer dans un fil de fuite. Cet appareil comporte un câble électrique muni d'un fil et d'une fiche de mise à la terre. Cette fiche doit être branchée dans une prise de courant correctement installée et mise à la terre.

**AVERTISSEMENT** - Une mise à la terre incorrecte peut entraîner un risque de choc électrique.

Consultez un électricien qualifié si vous ne comprenez pas complètement les directives de mise à la terre ou si vous n'êtes pas sûr que l'appareil comporte une mise à la terre adéquate.

N'utilisez pas de rallonge électrique. Si le câble électrique est trop court, contactez un électricien qualifié pour l'installation d'une prise de courant près de l'appareil.

### **3. Hotte branchée en permanence**

1. AFIN DE RÉDUIRE LES RISQUES D'INCENDIE, DE CHOC ÉLECTRIQUE OU DE BLESSURES CORPORELLES, SUIVEZ LES DIRECTIVES SUIVANTES :

- A. Les travaux d'installation et de raccordement électrique doivent être effectués par une personne qualifiée, conformément aux codes et aux standards de construction, incluant ceux concernant la protection contre les incendies.
- B. Une quantité d'air adéquate est requise afin d'assurer une bonne combustion et l'évacuation des gaz par la cheminée dans le cas des équipements alimentés au gaz afin de prévenir les retours de cheminée. Conformez-vous aux instructions et aux standards de sécurité des fabricants d'équipement de chauffage, tel qu'ils sont publiés par la National Fire Protection Association (NFPA) et l'American Society for Heating, Refrigeration and Air Conditioning Engineers (ASHRAE) ainsi que les responsables des codes locaux.
- C. Veillez à ne pas endommager le câblage électrique ou d'autres équipements non apparents lors de la découpe ou du perçage du mur ou du plafond.
- D. Les ventilateurs avec des conduits doivent toujours évacuer l'air à l'extérieur.
- E. Si cet appareil doit être installé au-dessus d'une baignoire ou d'une douche, il doit comporter les mentions appropriées pour cette utilisation et être branché sur un circuit de dérivation protégé par un DDFT (disjoncteur différentiel de fuite à la terre).
- F. Les travaux d'installation et de raccordement électrique doivent être effectués par des personnes conformément au code national de l'électricité, ANSI/NFPA 70 et aux codes locaux. Avant de débiter l'installation, coupez l'alimentation électrique en verrouillant le panneau de distribution afin d'éviter sa remise en marche accidentelle. Si le panneau de distribution ne peut être verrouillé, y fixer un avertissement en évidence, telle qu'une étiquette de couleur vive.
- G. Raccordez le câble d'alimentation à l'installation électrique dans la boîte électrique. Le conducteur du produit identifié comme conducteur mis à la terre (BLANC) doit être raccordé à un conducteur mis à la terre (BLANC) de l'alimentation électrique, le conducteur du produit identifié comme conducteur

non mis à la terre (NOIR) doit être raccordé à un conducteur non mis à la terre (NOIR) de l'alimentation électrique, le conducteur du produit identifié pour la mise à la terre de l'équipement (VERT) doit être raccordé à un conducteur de mise à la terre de l'équipement (VERT). Fixez le fil d'alimentation au boîtier de câblage avec un attache-câble approprié et remplacez la plaque du boîtier de câblage.

## **⚠ ATTENTION**

Pour réduire les risques d'incendie et obtenir une évacuation correcte de l'air, acheminez les conduits jusqu'à l'extérieur - n'évacuez pas l'air dans des espaces situés à l'intérieur des murs ou des plafonds, ni dans un grenier, un vide sanitaire ou un garage.

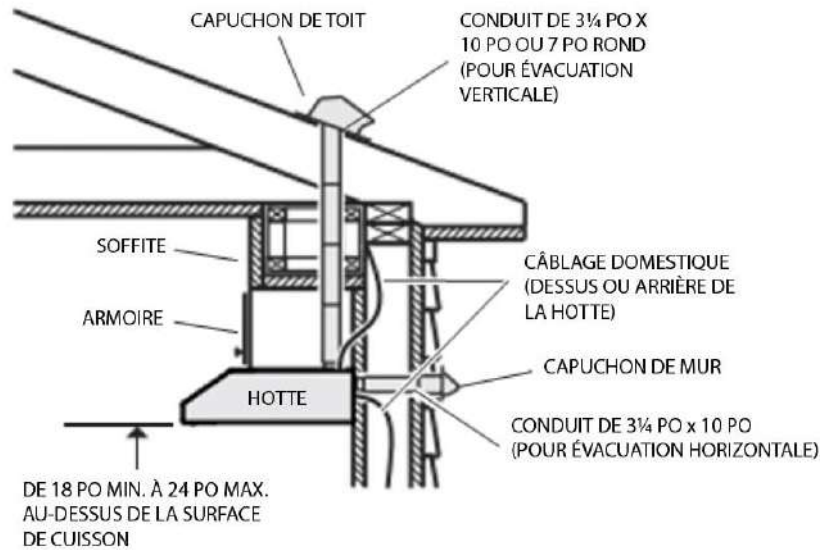
*Pour connaître les lignes directrices de l'ADA (Americans with Disabilities Act) concernant l'installation, veuillez utiliser l'ensemble HAWSK3 pour la série GLA1 MTR1 et HAWRK5 pour la série GLA2 MTR2. Consultez le site Web de Broan pour connaître les instructions d'installation ([Instructions ADA hottes intermédiaires](#))*

## **Préparation de l'installation**

Outils et accessoires recommandés pour l'installation :

- Ruban à mesurer
- Tournevis Phillips n° 2
- Tournevis à douille ou douille de 11/32 po
- Tournevis plat (pour dégager les ouvertures préamorcées)
- Perceuse, foret de 1/8 po et scie cloche de 1½ po (pour marquer les repères des trous pour les conduits et découper le trou pour le passage du fil d'alimentation électrique)
- Cales de bois (2) et vis à bois (4) (requis pour une installation sous une armoire à fond en retrait)
- Scie (pour la découpe des trous d'une installation avec conduits)
- Cisaille à tôle (installation avec conduits, pour l'ajustement de ceux-ci)
- Pince (installation avec conduits, pour l'ajustement de ceux-ci)
- Ruban adhésif de métal (installations avec conduits)
- Ciseaux (pour couper le ruban de métal)
- Crayon
- Pince à dénuder
- Serre-fils de 1/2 po de diamètre (pour fixer le câble d'alimentation électrique de la maison à la hotte)
- Volet BP87Q (nécessaire en cas d'utilisation d'un conduit rond de 7 po)

## Installation des conduits (installations avec conduits uniquement)



NOTE : Une distance supérieure à 30 po demeure à la discrétion de l'installateur et de l'utilisateur.

1. Déterminer si l'évacuation se fera verticalement (3¼ po x 10 po) ou conduit rond (7 po), ou horizontalement (3¼ po x 10 po seulement).
2. Établir où le conduit passera entre la hotte et l'extérieur.
3. Le conduit reliant cette hotte à l'extérieur du bâtiment a un effet direct sur le débit de l'air, le bruit généré et la consommation d'énergie de son ventilateur. Pour obtenir le meilleur rendement, utiliser un conduit le plus droit et le plus court possible, en évitant de raccorder le ventilateur de la hotte à un conduit de format plus petit que recommandé. De l'isolant autour du conduit peut réduire la perte d'énergie et empêcher la croissance de moisissures. Les hottes installées avec un conduit préexistant pourraient ne pas atteindre leur débit nominal. Veuillez-vous référer au tableau ci-bas pour vous aider à planifier l'installation la plus efficace.
4. Installer un capuchon de toit ou de mur (vendu séparément) ; vérifier l'absence de fuite dans l'isolation de la maison.
5. Relier le conduit en métal au capuchon, puis acheminer le conduit jusqu'à l'emplacement de la hotte. Sceller hermétiquement les raccords à l'aide de ruban adhésif de métal de 2 po de largeur.

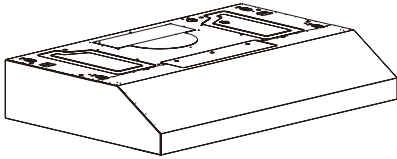

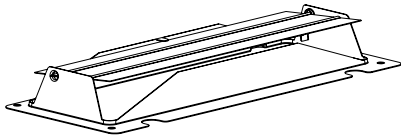

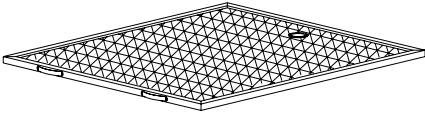
LONGUEUR MAXIMALE DE CONDUIT DE 3¼ PO X 10 PO, HORIZONTAL	LONGUEUR MAXIMALE DE CONDUIT DE 3¼ PO X 10 PO, VERTICAL	LONGUEUR MAXIMALE DE CONDUIT DE 7 PO ROND	CAPUCHON DE MUR OU DE TOIT AVEC CLAPET	COUDE(S)* DE (90° ET/OU 45°)
90 pi	94 pi	78 pi	1	0
82 pi	86 pi	65 pi	1	1
74 pi	79 pi	51 pi	1	2


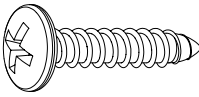
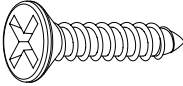
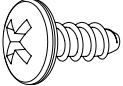
\* Coudes standards de rayon interne de 1 po.

NOTE: Il est possible d'utiliser des conduits ronds de 6 po mais l'efficacité de l'évacuation pourrait être diminuée.

## Contenu

Avant de procéder à l'installation, vérifier le contenu de la boîte. Si des articles sont manquants ou endommagés, contacter le fabricant. S'assurer que les articles suivants sont inclus :

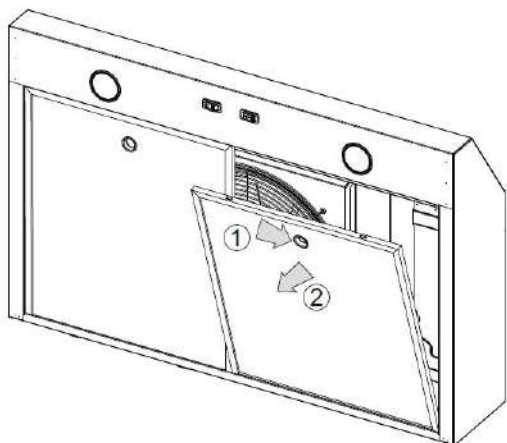
N°	ARTICLE	IMAGE	QTÉ
1	HOTTE		1
2	CONDUIT ROND 7 PO		1
3	CONDUIT 3¼ PO x 10 PO		1
4	SACHET DE PIÈCES		1
5	FILTRES À GRAISSE		2

N°	SACHET DE PIÈCES CONTENANT	IMAGE	QTÉ
1	Supports d'installation EZ1		2
2	Vis ST 3/16 po x 11/16 po Vis à tête ronde		6
3	Vis ST 3/16 po x 11/16 po Vis à bois à tête fraisée		4
4	Vis ST 3/16 po x 5/16 po Vis à tête ronde		5

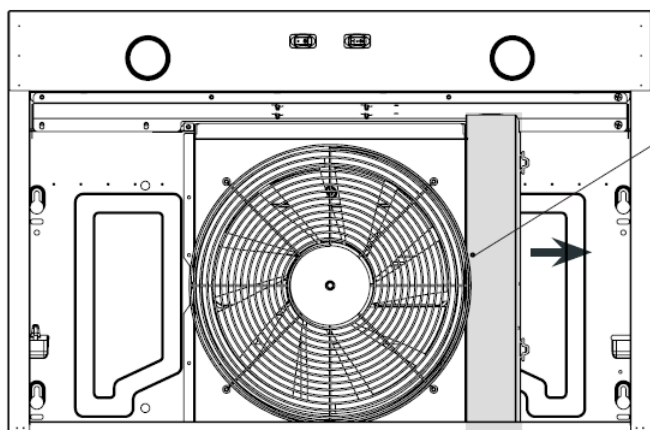
## Préparation de la hotte

NOTE : Puisque ce manuel couvre plusieurs modèles de hottes de cuisinière, certains détails de votre hotte peuvent être légèrement différents de ceux illustrés.

1. Retirer toute présence de pellicules de plastique protectrice sur la hotte et/ou ses pièces.
2. Enlever les filtres en les poussant vers l'arrière de la hotte ① et en les basculant ②.



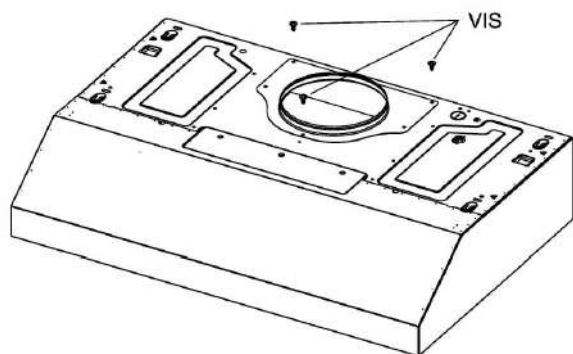
3.



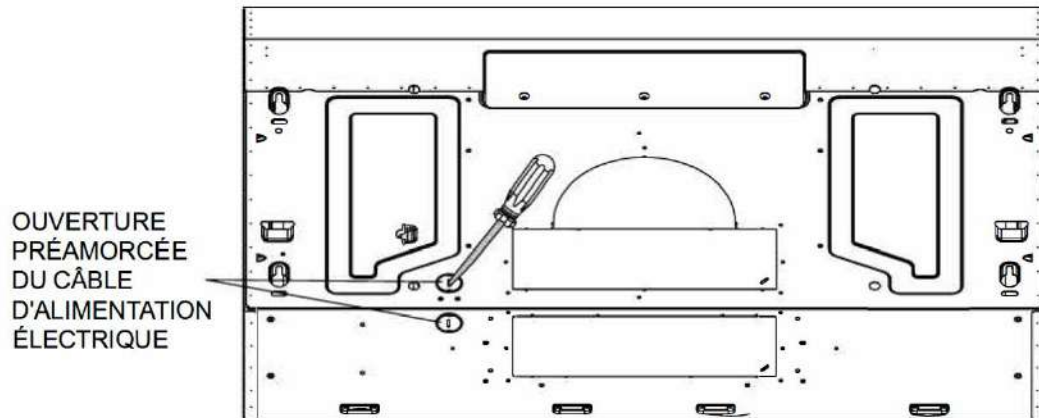
Retirer la vis

Pousser vers la droite pour enlever la plaque du boîtier de câblage.

4. Utiliser le tournevis Phillips pour retirer les 3 vis du conduit rond de 7 po. Retirez le conduit rond de 7 po.

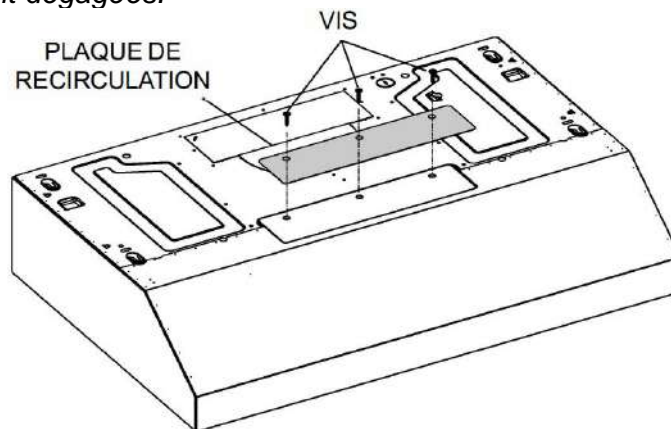


5. Enlevez l'ouverture préamorcée du câble d'alimentation électrique du dessus (câblage vertical) ou de l'arrière de la hotte (câblage horizontal). Installer un serre-fils approprié de 1/2 po de diamètre (non inclus).



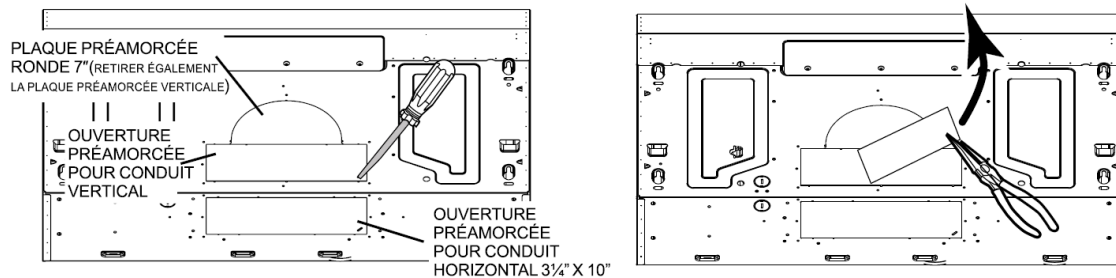
#### **4. INSTALLATION AVEC RECIRCULATION SEULEMENT**

Retirer les 3 vis retenant la plaque couvrant la grille de recirculation (en gris dans l'illustration ci-dessous) à la hotte. Cette plaque n'est pas nécessaire pour la recirculation. *La retirer ou la conserver pour une utilisation ultérieure. Retirer et jeter la membrane qui recouvre la grille de recirculation, en veillant à ce que les ouvertures soient entièrement dégagées.*



## 5. INSTALLATION AVEC CONDUITS SEULEMENT

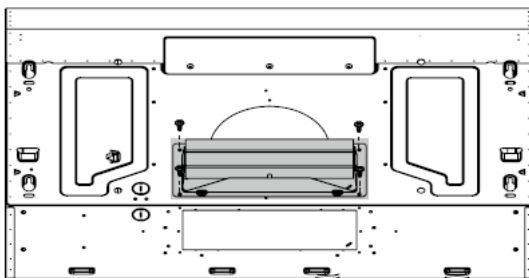
Retirer les ouvertures préamorcées de 3¼ po x 10 po verticale, de 3¼ po x 10 po horizontale ou ronde de 7 po, selon la méthode choisie pour les conduits.



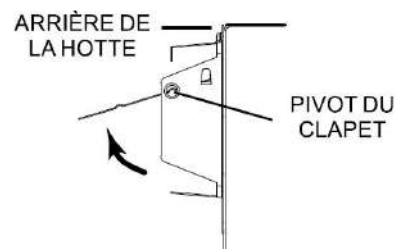
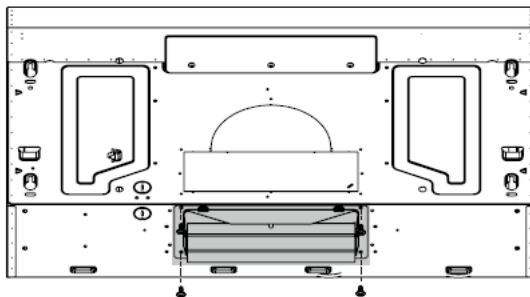
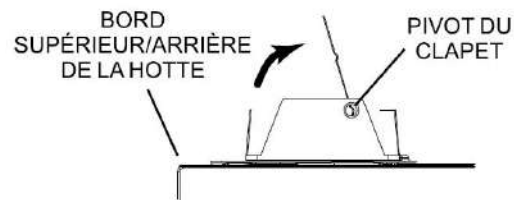
## 6. INSTALLATION AVEC CONDUIT SEULEMENT

Installer l'adaptateur/volet de 3¼ po x 10 po sur le dessus OU à l'arrière de la hotte (en gris sur la **Figure 2 A**; si un conduit de 3¼ po x 10 po est installé) ou la plaque pour conduit rond de 7 po (si un conduit de 7 po rond est utilisé, voir la **Figure 3**). Lorsqu'il est installé, l'adaptateur/volet de 3¼ po x 10 po doit s'ouvrir comme il est indiqué à la **Figure 2 B**.

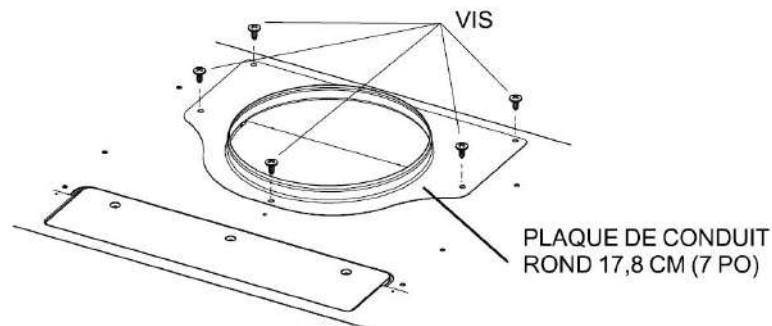
**Figure 2 A**



**Figure 2 B**



**Figure 3**



**TRUC :** Glisser une petite longueur de conduit par-dessus l'adaptateur/volet de 3¼ po

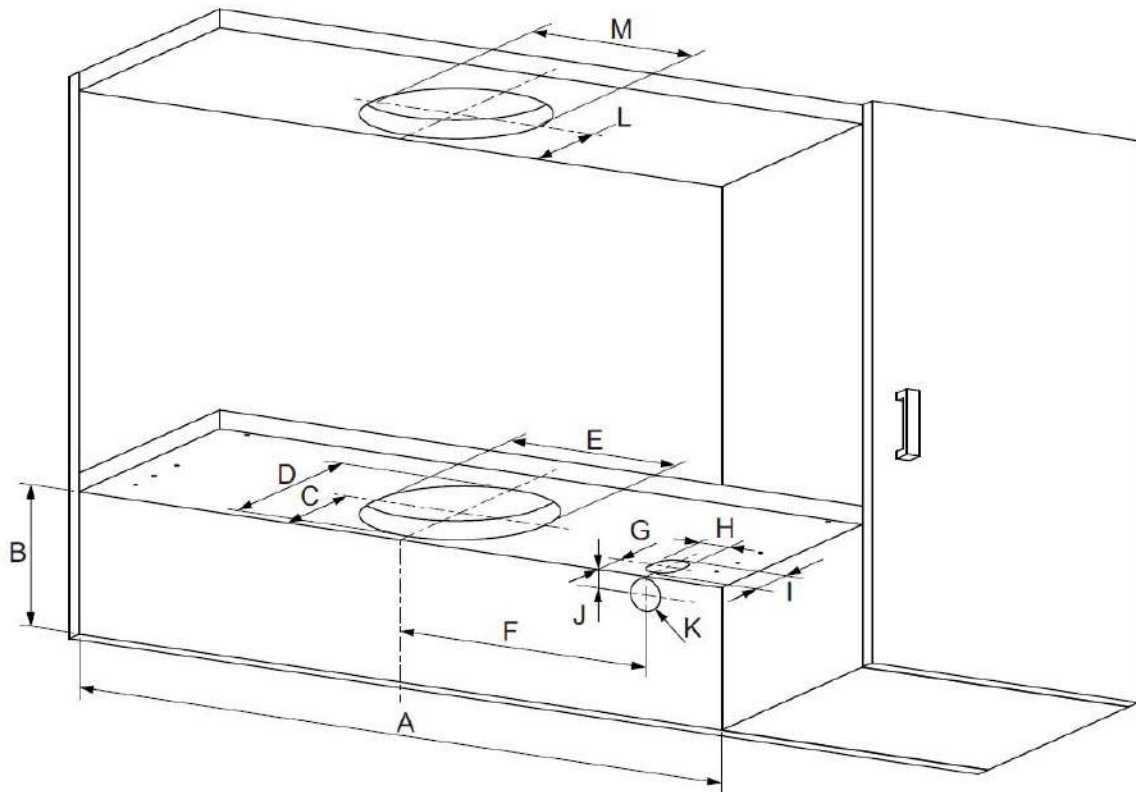
x 10 po (pour un conduit rectangulaire) ou de 7 po rond (pour un conduit rond) et sceller le joint à l'aide de ruban adhésif d'aluminium pour faciliter le raccord avec le reste des conduits.

## Préparation de l'emplacement de la hotte

Ce manuel couvre deux types d'installation : l'installation standard (sans les supports EZ1) et le système d'installation à une personne EZ1 (en utilisant supports inclus).

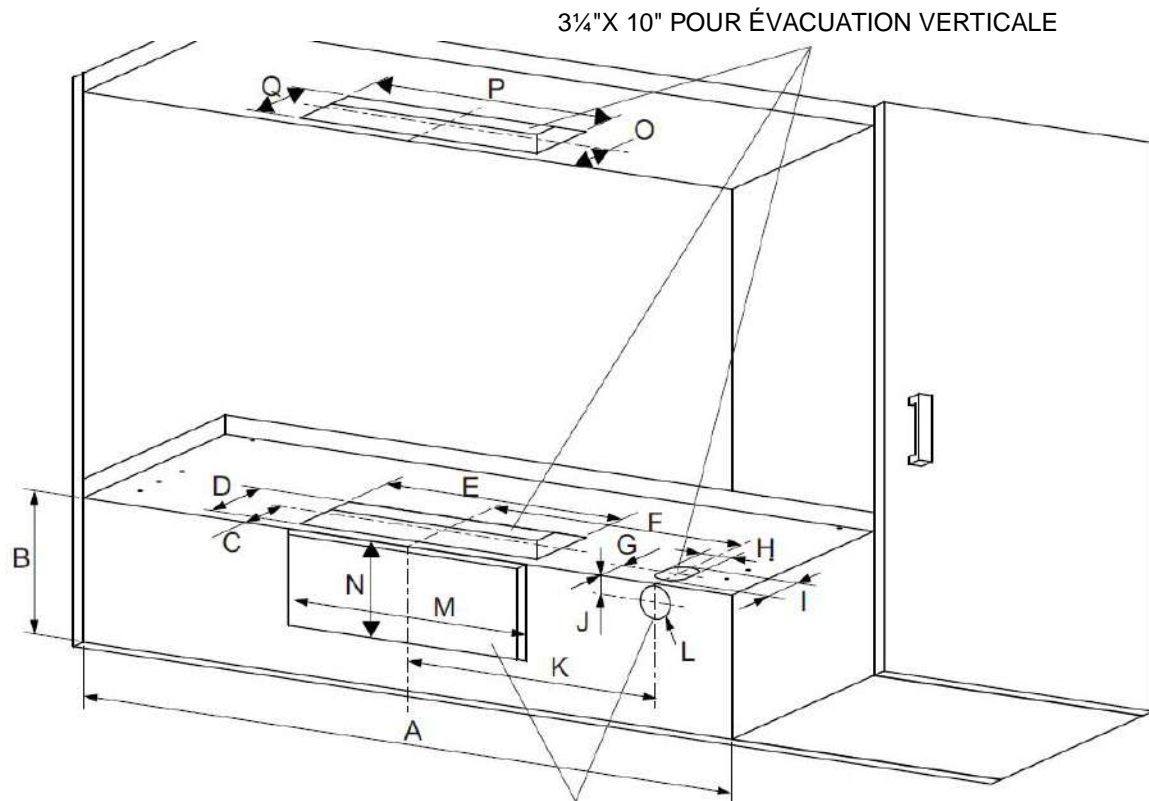
Découper les ouvertures pour conduits et l'ouverture pour le passage du câble à l'intérieur de l'armoire, en fonction de l'installation des conduits que vous avez choisie.

### Pour conduit rond de 7 po



A = 30 1/8 po ; B = 6 po pour GLA, 5 1/8 po pour MTR ; C = 4 7/8 po ; D = 8 7/16 po ;  
E =  $\varnothing$  7 7/8 po ; F = 7 5/16 po ; G = 1 3/4 po ; H =  $\varnothing$  1 3/8 po ; I = 2 3/16 po ;  
J = 13/16 po ; K =  $\varnothing$  1 3/8 po ; L = 4 9/16 po ; M =  $\varnothing$  7 7/8 po

**Conduit de 3¼ po x 10 po**

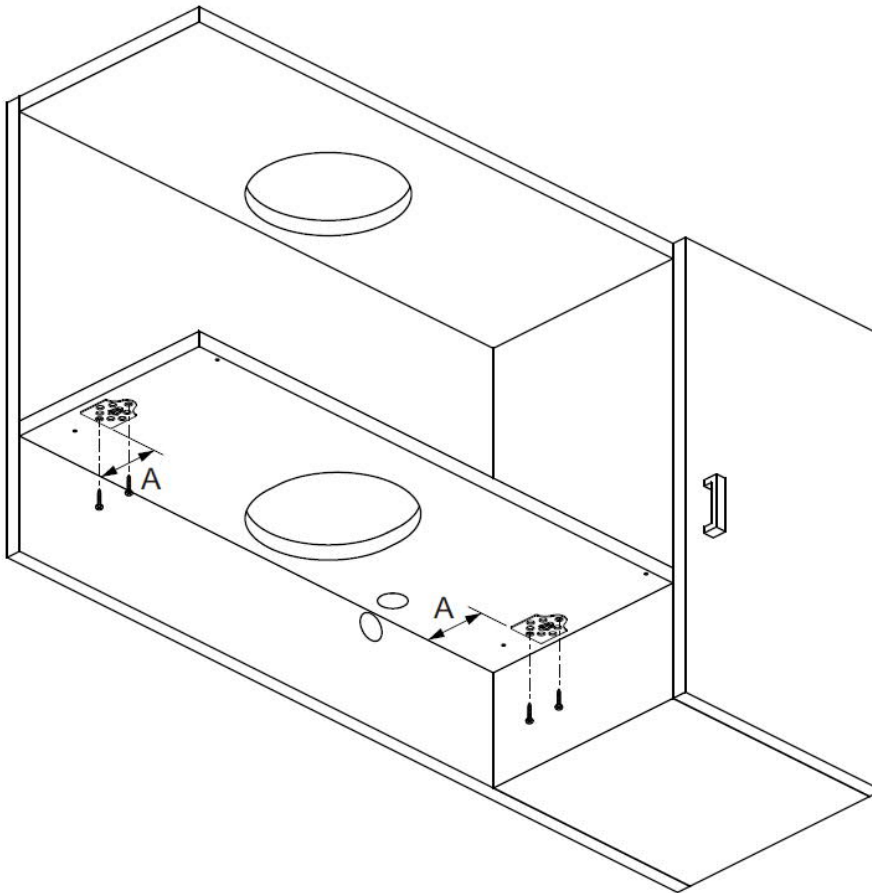


3¼"X 10" POUR ÉVACUATION HORIZONTALE

A = 30 1/8 po ; B = 6 po pour GLA, 5 1/8 po pour MTR ; C = 2 15/16 po ; D = 4 3/4 po ;  
 E = 11 po ; F = 7 5/16 po ; G = 1 3/4 po ; H = φ 1 3/8 po ; I = 2 3/16 po ; J = 13/16 po ;  
 K = 7 5/16 po ; L = φ 1 3/8 po ; M = 11 po ; N = 4 po ; O = 2 15/16 po ; P = 11 po ;  
 Q = 4 3/4 po

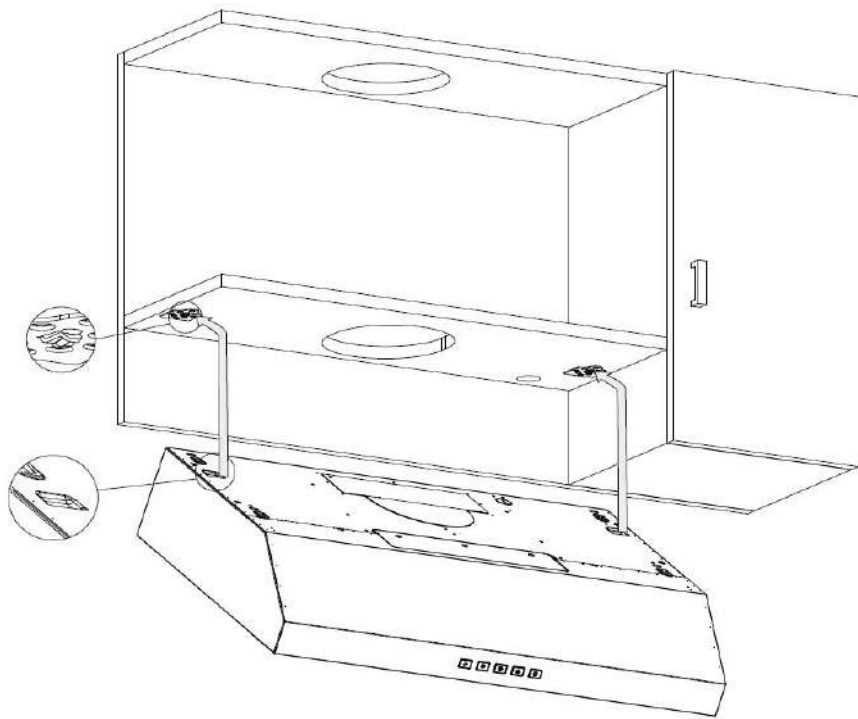
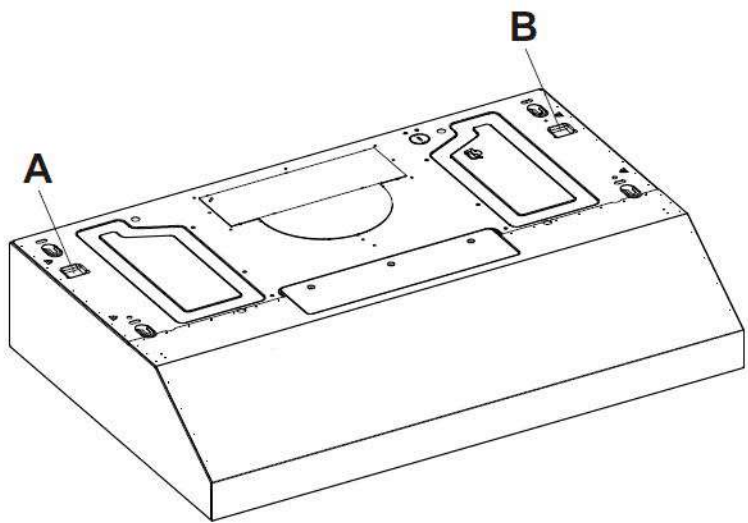
## Installation de la hotte (avec supports EZ1)

1. Acheminer le câble d'alimentation depuis le panneau de distribution de la maison jusqu'à l'emplacement de la hotte.
2. Utiliser les 4 vis ST 3/16 po x 11/16 po (vis à tête fraisée) pour fixer les 2 supports EZ1 sur l'armoire.



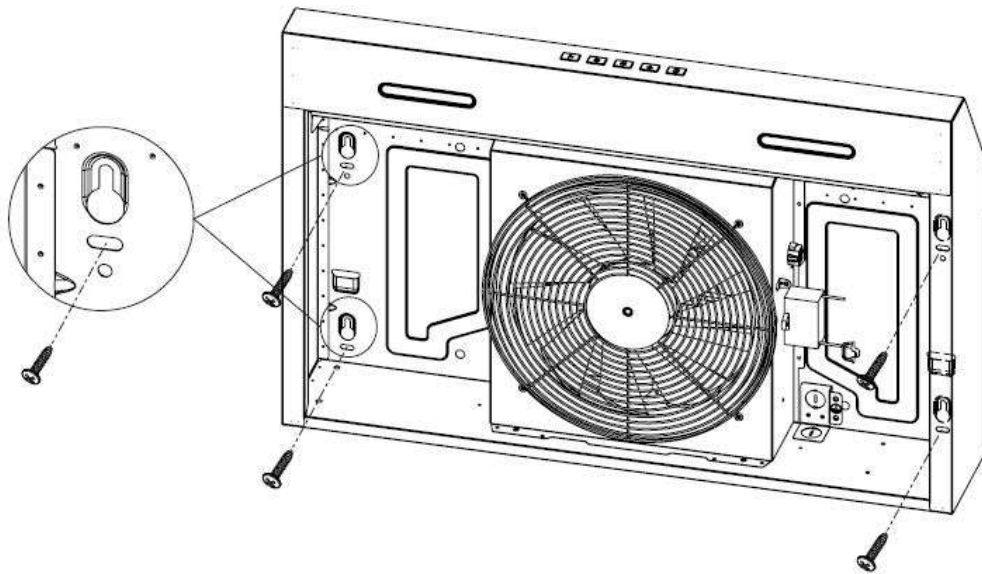
A = 3 3/8 po

3. Soulever la hotte et accrocher les supports EZ1 à la hotte (A).



4. Accrocher **TEMPORAIREMENT** la hotte aux supports EZ1. Tout en maintenant la hotte, acheminez le câble d'alimentation électrique dans la hotte à travers le serre-fils installé précédemment.

5. Accrocher la hotte en fixant les 4 vis ST 3/16 po x 11/16 po (vis à tête fraisée) dans les fentes.

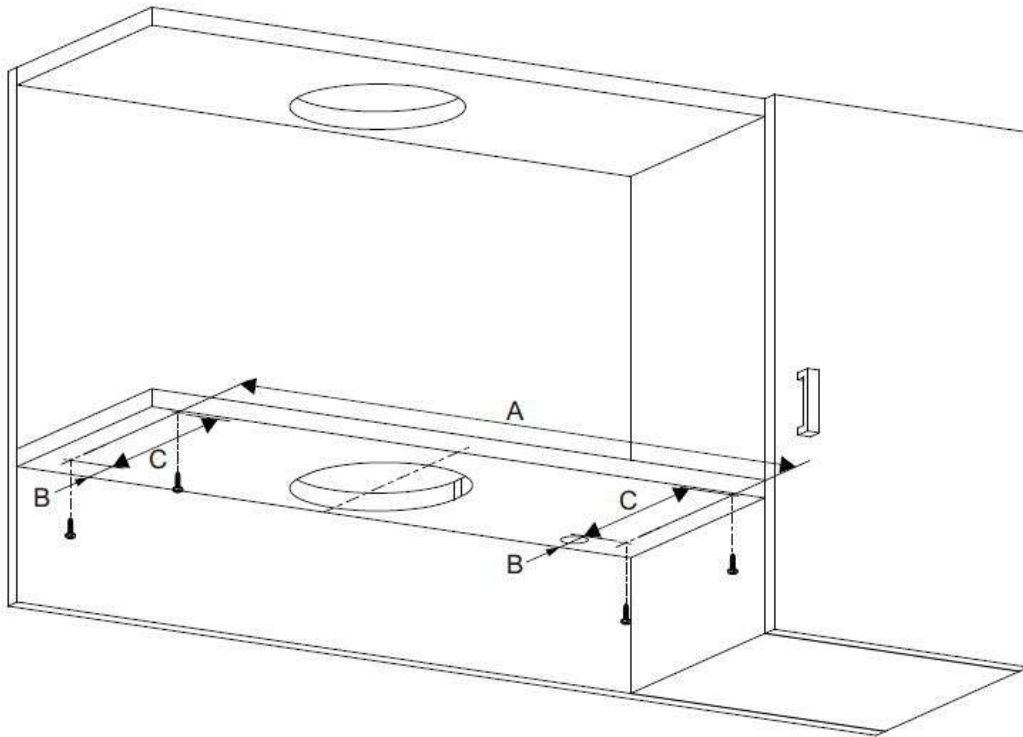


## 6. **INSTALLATION AVEC CONDUIT SEULEMENT**

Raccorder le conduit à la hotte et sceller les joints avec du ruban adhésif de métal. S'assurer que l'adaptateur/volet (ou la plaque pour conduit rond) entre dans le conduit et que son volet ouvre et ferme librement.

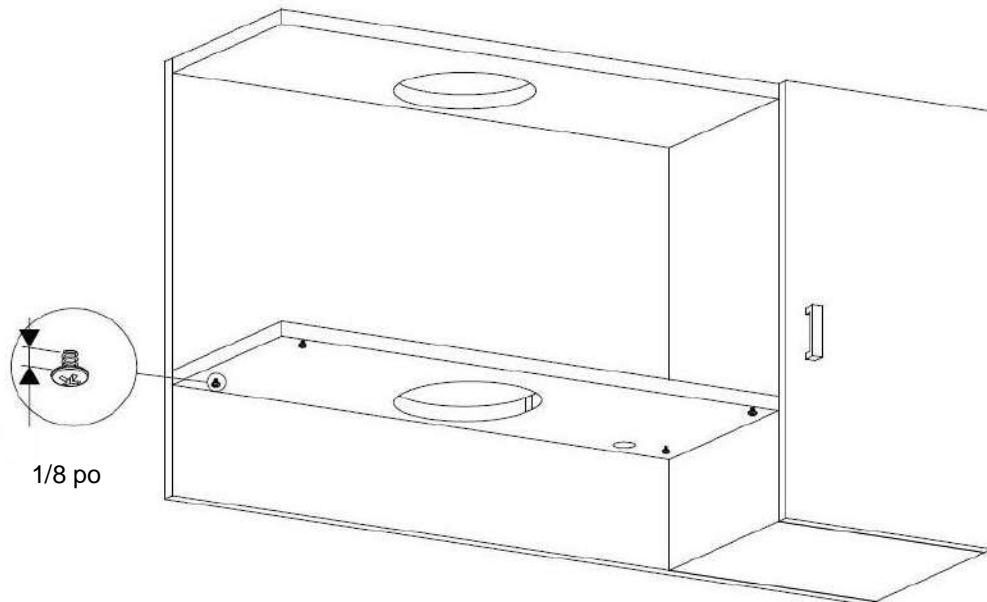
### **Installation de la hotte (installation standard)**

1. Acheminer le câble d'alimentation du panneau électrique jusqu'à l'emplacement de la hotte.
2. Insérez les 4 vis ST 3/16 po x 11/16 po (vis à tête fraisée) dans l'armoire selon les positions indiquées sur le schéma ci-dessous.

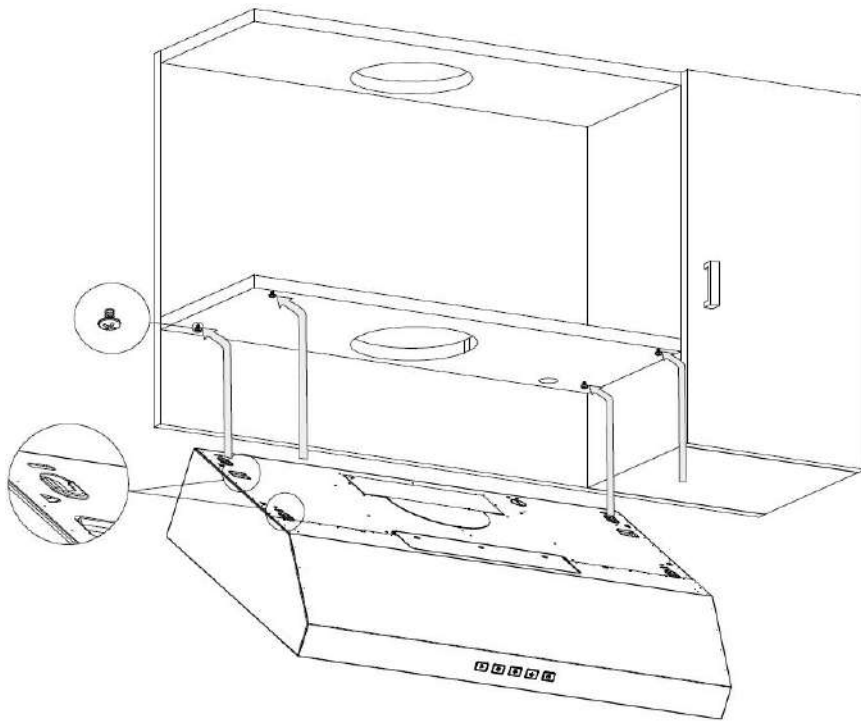


A = 27 1/4 po ; B = 2 1/16 po ; C = 9 1/16 po

REMARQUE : Laissez un espace de 1/8 po entre la tête des vis et l'armoire.

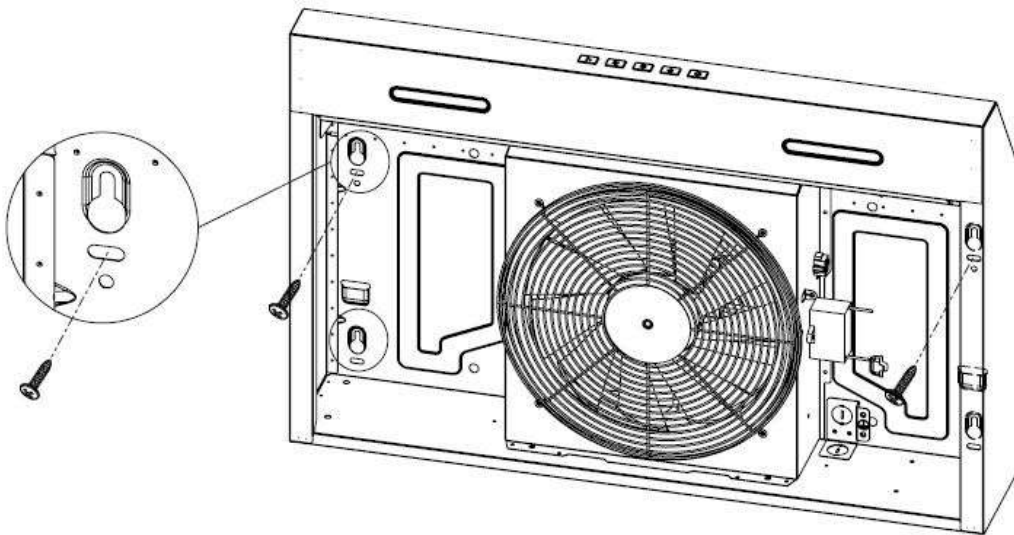


3. Soulever la hotte. Placer les 4 trous sur les vis. Faire glisser la hotte pour la mettre en place.



4. Tout en retenant la hotte, acheminez le câble d'alimentation électrique jusqu'à l'intérieur de la hotte à travers le serre-fils installé précédemment.

5. Utiliser les 2 vis ST 3/16 po x 11/16 po (vis à tête fraisée) pour fixer la hotte.




6. Puis serrer les 4 autres vis ST 3/16 po x 11/16 po installées à l'étape 2.

## 7. INSTALLATION AVEC CONDUIT SEULEMENT

Raccorder le conduit à la hotte et sceller les joints avec du ruban adhésif de métal. S'assurer que l'adaptateur/volet (ou la plaque pour conduit rond, sans volet) entre dans le conduit et que son volet ouvre et ferme librement.

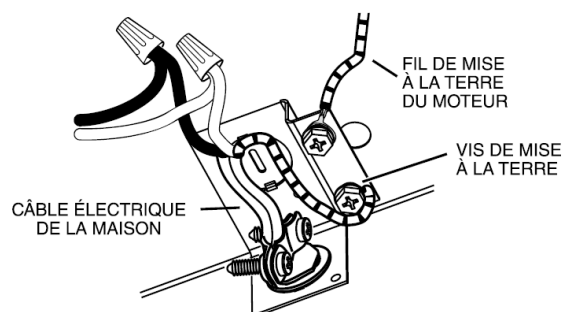
## BRANCHEMENT ÉLECTRIQUE

**⚠ WARNING**

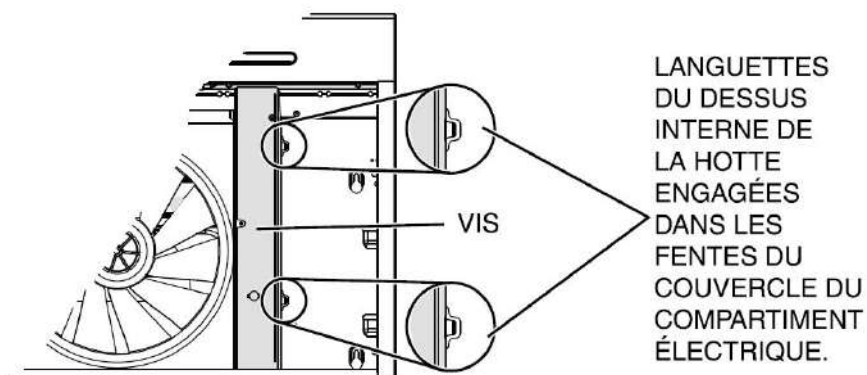


**Risk of electric shock. Electrical wiring must be done by qualified personnel in accordance with all applicable codes and standards. Before connecting wires, switch power off at service panel and lock service disconnecting means to prevent power from being switched on accidentally.**

1. Connecter le câble électrique de la maison avec les fils de la hotte : le fil NOIR au fil NOIR, le fil BLANC au fil BLANC, et le fil VERT ou fil dénudé à la vis VERTE de mise à la terre.



2. Remettre en place le couvercle du compartiment électrique et le fixer à la hotte avec sa vis de retenue.



## Installation des filtres

### INSTALLATION AVEC CONDUIT SEULEMENT

Remettre en place les filtres à graisses retirés à l'étape 1 de la section « Préparation de la hotte ».

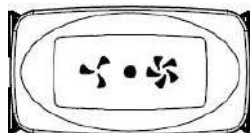
### INSTALLATION SANS CONDUIT SEULEMENT




Se procurer deux filtres de recirculation chez votre distributeur ou votre détaillant local (consulter l'étiquette de spécification pour connaître le type de filtre). Installer le filtre de recirculation selon les directives incluses avec celui-ci.

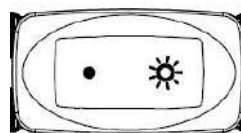
## FONCTIONNEMENT



Toujours mettre en marche la hotte avant de commencer la cuisson afin d'établir une circulation d'air dans la cuisine. Laisser également la hotte fonctionner quelques minutes après l'arrêt de la cuisinière afin de nettoyer l'air. Cela aidera à maintenir la cuisine plus propre et plus fraîche. Faire fonctionner la hotte comme suit :

### A. Commandes à bascule

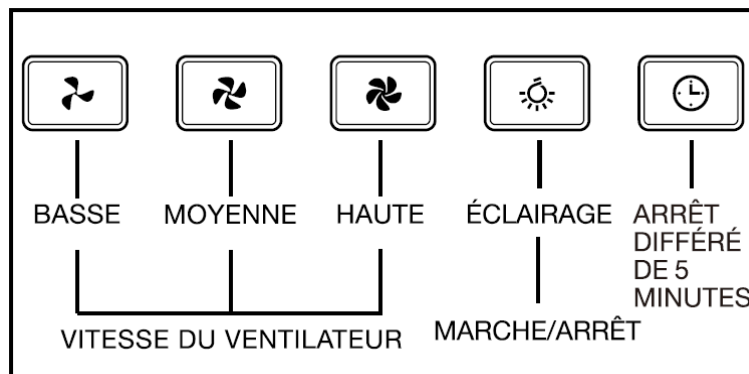


1. Appuyer sur  pour mettre le ventilateur en marche au régime lent
2. Appuyer sur  pour arrêter le ventilateur.
3. Appuyer sur  pour mettre le ventilateur en marche au régime rapide.



1. Appuyer sur  pour allumer l'éclairage.
2. Appuyer sur  pour éteindre l'éclairage.

### B. Commandes par effleurement



1. Appuyer sur le bouton d'éclairage pour allumer et éteindre l'éclairage. 1<sup>er</sup> Une pression, éclairage à faible intensité. 2<sup>ème</sup> deux pressions, éclairage à forte intensité.

2. Appuyer sur les commandes du ventilateur pour choisir le régime lent, moyen ou rapide (le voyant lumineux du régime choisi s'allume).
3. Appuyer à nouveau sur le régime actuel du ventilateur pour l'arrêter.
4. Lorsque le ventilateur est en marche, appuyer une fois sur le bouton d'arrêt différé de 5 minutes (son voyant lumineux s'allume) pour que la hotte fonctionne pendant 5 minutes puis s'éteigne automatiquement. Lorsque l'arrêt différé de 5 minutes est activé, le fait de modifier le régime du ventilateur annule la fonction d'arrêt différé de 5 minutes. Pour annuler la fonction d'arrêt différé avant la fin des 5 minutes, appuyer à nouveau sur le bouton d'arrêt différé ou choisir un autre régime du ventilateur.

## ENTRETIEN ET NETTOYAGE

L'entretien adéquat de la hotte préservera ses performances.

### **MOTEUR**

Le moteur est lubrifié en permanence et n'a pas besoin d'être huilé. Si les roulements du moteur sont anormalement bruyants, remplacer le moteur uniquement par le même modèle. Lors du remplacement du moteur, il est recommandé de remplacer également l'hélice du ventilateur.

### **FILTRES À GRAISSES**

Les filtres à graisses doivent être nettoyés fréquemment. Utiliser une solution d'eau chaude et de détergent. Les filtres sont lavables au lave-vaisselle.

Nettoyer les filtres fabriqués entièrement de métal au lave-vaisselle à l'aide d'un détergent sans phosphate. L'utilisation d'un détergent avec phosphates ainsi que les conditions locales de l'eau peuvent entraîner une décoloration des filtres, sans toutefois affecter leur performance. Cette décoloration n'est pas couverte par la garantie. Afin de prévenir ou de limiter la décoloration, laver les filtres à la main avec un détergent doux.

### **FILTRES DE RECIRCULATION**

Les filtres de recirculation devraient être remplacés tous les 3 à 6 mois. Remplacer plus souvent si vos habitudes de cuisson génèrent plus de graisses, comme par exemple la friture ou les aliments sautés au wok. Voir les directives d'installation incluses avec les filtres de recirculation.

### **HÉLICE**

L'hélice du ventilateur doit être nettoyée fréquemment. Utilisez un chiffon propre imbibé d'une solution tiède de détergent.

### **NETTOYAGE DE L'ACIER INOXYDABLE**

**À faire :**

- Laver régulièrement les surfaces à l'aide d'un chiffon propre imbibé d'eau chaude et de savon doux ou de détergent liquide à vaisselle.
- Toujours nettoyer dans le sens du polissage.

- Toujours bien rincer avec de l'eau claire (2 à 3 fois) et essuyer complètement.
- Un nettoyant domestique conçu spécialement pour l'acier inoxydable peut aussi être utilisé.

**À ne pas faire :**

- Ne pas utiliser de laine d'acier ou d'acier inoxydable ou tout autre grattoir pour enlever la saleté tenace.
- Ne pas utiliser une poudre nettoyante abrasive ou rugueuse.
- Ne pas laisser la saleté s'accumuler.
- Ne pas laisser la poussière de plâtre ou tout autre résidu de construction atteindre la hotte. Couvrir la hotte pour la durée des travaux afin de s'assurer qu'aucune poussière n'atteigne la hotte.

**À éviter lors du choix d'un détergent :**

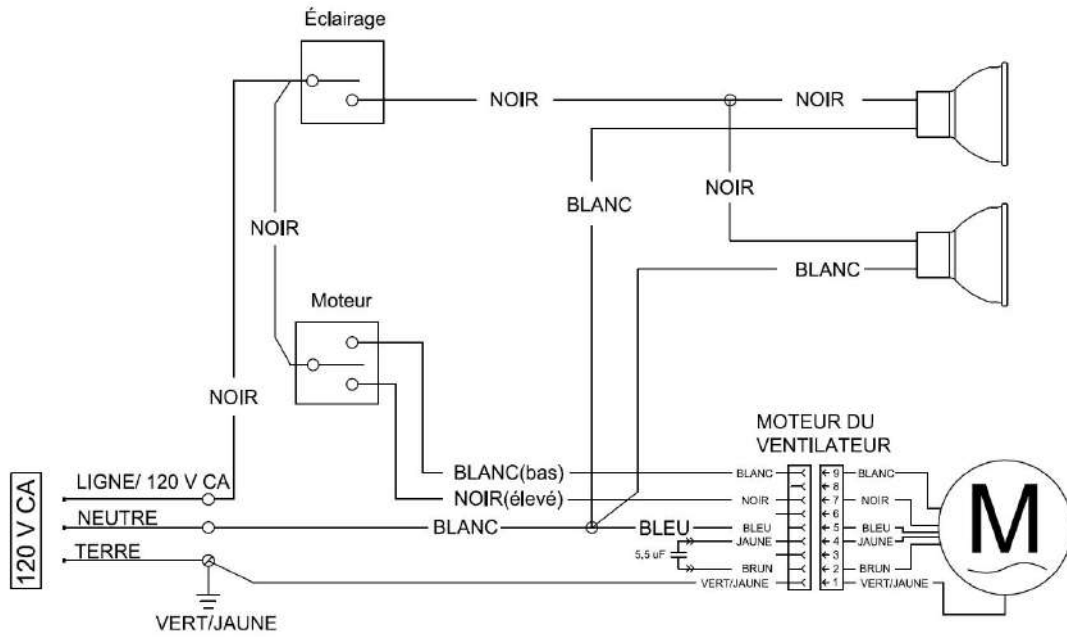
- Tous produits nettoyants contenant des **agents de blanchiment**; ils attaqueront l'acier inoxydable.
- Tous produits contenant du **chlorure**, du **fluorure**, de l'**iode** ou du **bromure**; ils détérioreront rapidement les surfaces.
- Tous produits combustibles utilisés pour le nettoyage : **acétone**, **alcool**, **éther**, **benzène**, etc.; ils sont grandement explosifs et ne devraient jamais être utilisés près d'une cuisinière.

**NETTOYAGE DES SURFACES PEINTES :**

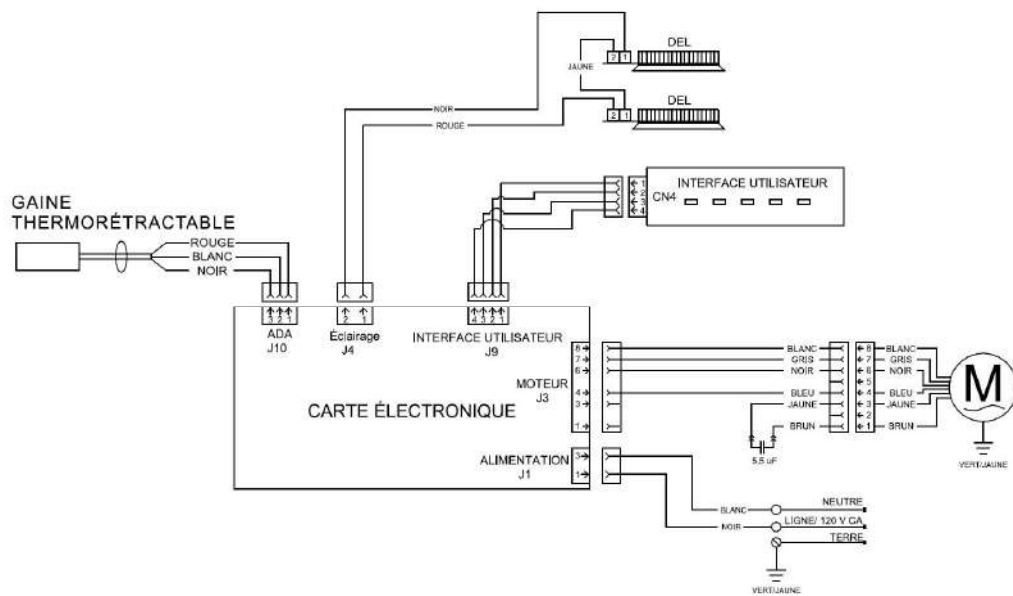
Nettoyer avec de l'eau chaude additionnée de détergent doux seulement. S'il y a décoloration, utiliser une bonne cire telle qu'une cire automobile (NE PAS utiliser de nettoyant abrasif ou de nettoyant à porcelaine).

# SCHÉMAS DE CÂBLAGE

Séries GLA1 et MTR1 :

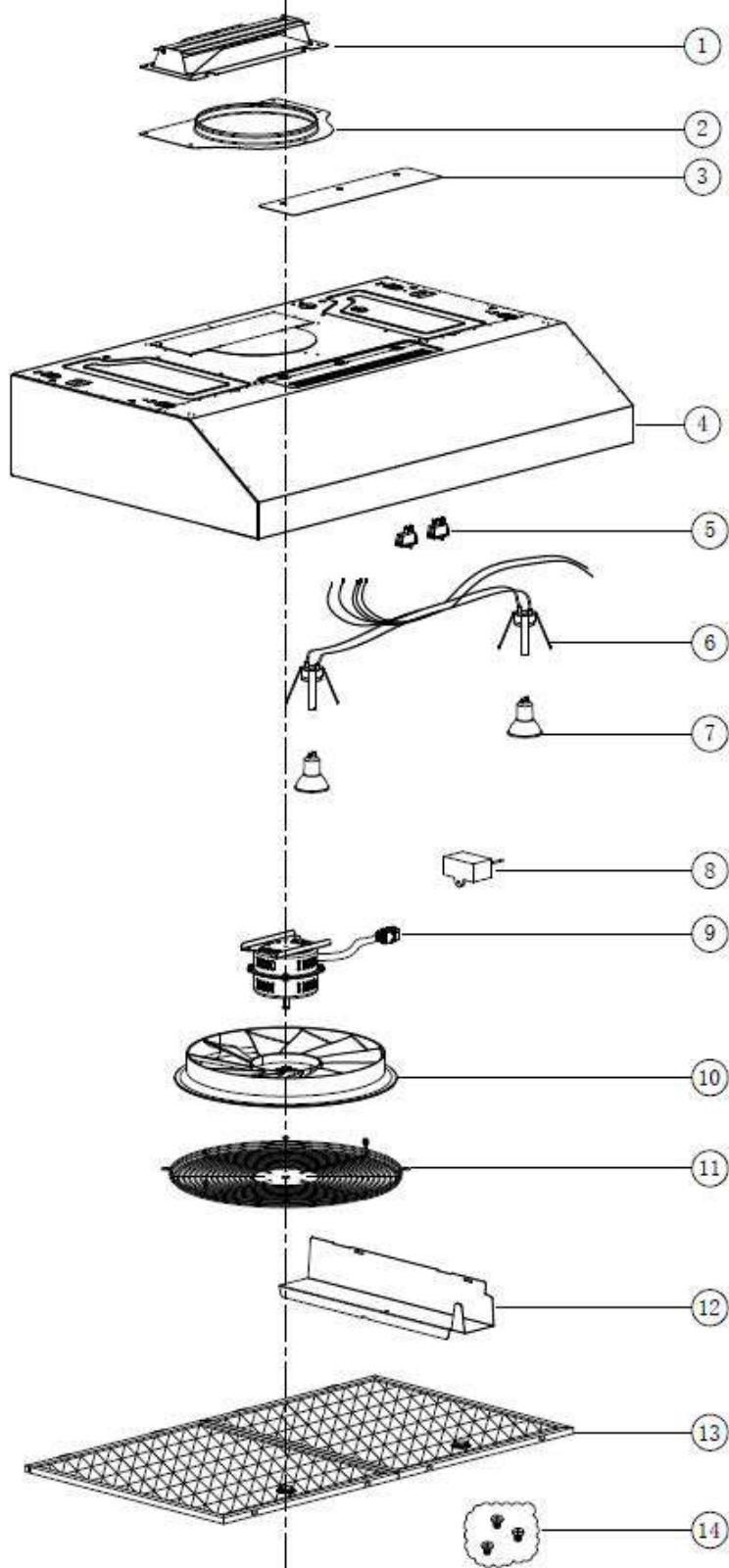


Séries GLA2 et MTR2 :



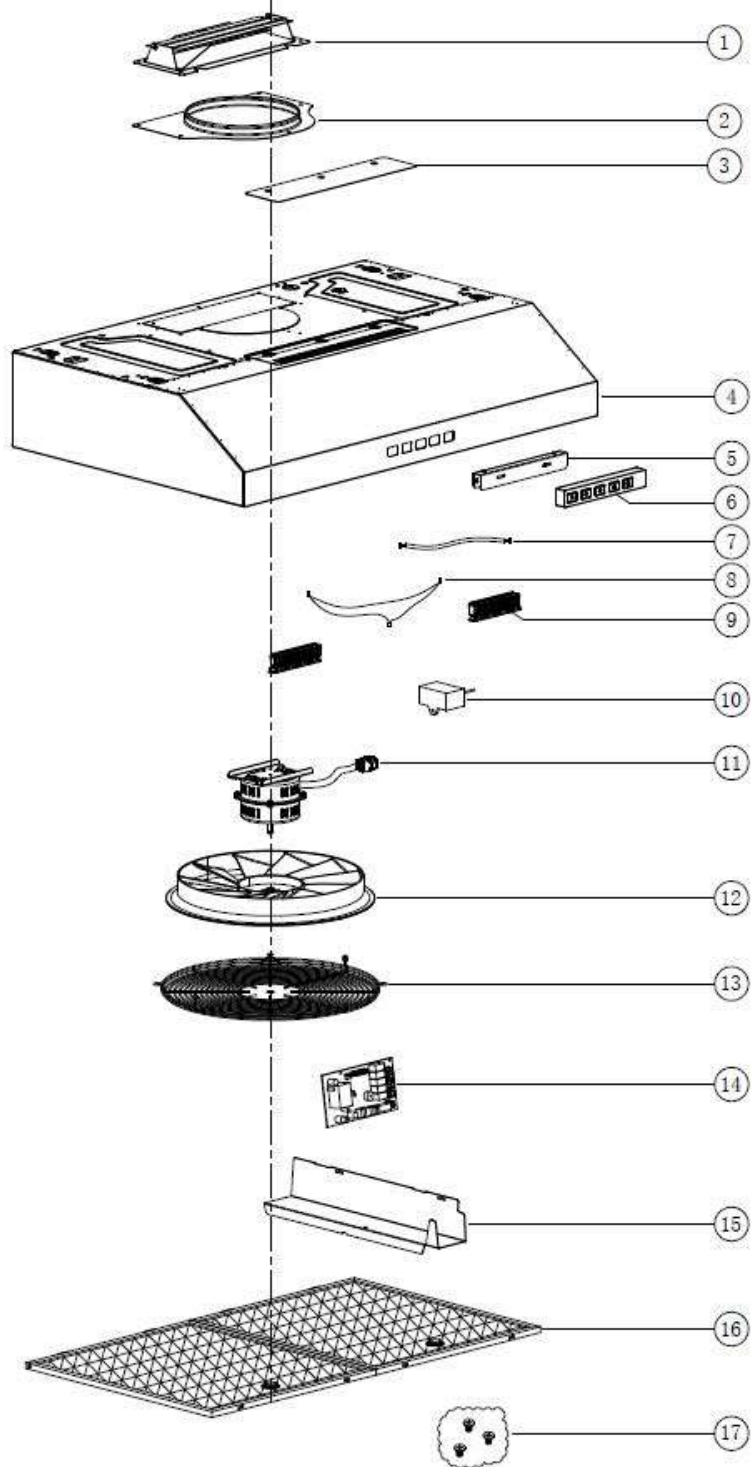
# PIÈCES DE RECHANGE

Séries GLA1 et MTR1 :



N°	Référence pièce	Description	Qté
1	S97020534	ADAPTATEUR/VOLET 3¼ PO X 10 PO (INCLUANT LES VIS)	1
2	SR680508	PLAQUE POUR CONDUIT ROND DE 7 PO (INCLUANT LES VIS)	1
3	S1115687	PLAQUE DE GRILLE DE RECIRCULATION, BLANC (INCLUANT LES VIS)	1
	S1115688	PLAQUE DE GRILLE DE RECIRCULATION, NOIR (INCLUANT LES VIS)	1
	S1115689	PLAQUE DE GRILLE DE RECIRCULATION, INOX. (INCLUANT LES VIS)	1
	S1115690	PLAQUE DE GRILLE DE RECIRCULATION, INOX. NOIR (INCLUANT LES VIS)	1
5	S99030379	INTERRUPTEUR À BASCULE, GRIS (ENSEMBLE DE 2)	1 ensemble
	S1115672	INTERRUPTEUR À BASCULE, BLANC (ENSEMBLE DE 2)	1 ensemble
	S1115673	INTERRUPTEUR À BASCULE, NOIR (ENSEMBLE DE 2)	1 ensemble
6	S1115671	Connecteur pour commande d'interrupteur à bascule	1 ensemble
7	S1110531	AMPOULE DEL GU10	2
8	S1115679	CONDENSATEUR 5,5 uF VENTILATEUR SIMPLE (INCLUANT LA VISSERIE)	1
9	S1115680	MOTEUR VENTILATEUR SIMPLE à vérif dans MUE OG (INCLUANT LA VISSERIE)	1
10	S1115681	HÉLICE AVEC ATTACHE	1
11	S1115682	PROTECTION VENTILATEUR SIMPLE (INCLUANT LES VIS)	1
12	S1115683	COUVERCLE DU COMPARTIMENT ÉLECTRIQUE POUR VENTILATEUR SIMPLE (INCLUANT LES VIS)	1
13	S99010434-002	FILTRE À GRAISSES - HOTTE DE 30" À MAILLAGE FIN (ENSEMBLE DE 2)	1 ensemble
14	S1115686	SACHET DE PIÈCES INCLUANT LES SUPPORTS EZ1	1 ensemble

Séries GLA2 et MTR2 :



N°	Référence pièce	Description	Qté
1	S97020534	ADAPTATEUR/VOLET 3 1/4 PO x 10 PO (INCLUANT LES VIS).	1
2	SR680508	ADAPTATEUR DE CONDUIT ROND 7 PO (INCLUANT LES VIS)	1
3	S1115687	PLAQUE DE GRILLE DE RECIRCULATION, BLANC (INCLUANT LES VIS)	1
	S1115688	PLAQUE DE GRILLE DE RECIRCULATION, NOIR (INCLUANT LES VIS)	1
	S1115689	PLAQUE DE GRILLE DE RECIRCULATION, INOX. (INCLUANT LES VIS)	1
	S1115690	PLAQUE DE GRILLE DE RECIRCULATION, INOX. NOIR (INCLUANT LES VIS)	1
5 et 6	S1115676	COMMANDE CAPACITIVE À TOUCHES, INOX. (AVEC VIS)	1
	S1115677	COMMANDE CAPACITIVE À TOUCHES, BLANCHE (AVEC VIS)	1
	S1115678	COMMANDE CAPACITIVE À TOUCHES, NOIRE (AVEC VIS)	1
7 et 8	S1115685	ENSEMBLE CONNECTEUR (CONNECTEUR COMMANDE, ÉCLAIRAGE ET ALIMENTATION INCL.)	1 ensemble
9	S97020444	MODULE DEL (PAIRE)	1 ensemble
10	S1115679	CONDENSATEUR 5,5 uF VENTILATEUR SIMPLE (INCLUANT LA QUINCAILLERIE)	1
11	S1115680	MOTEUR VENTILATEUR SIMPLE (QUINCAILLERIE INCL.)	1
12	S1115681	HÉLICE AVEC ATTACHE	1
13	S1115682	PROTECTION VENTILATEUR SIMPLE (INCLUANT LES VIS)	1
14	S1115683	COMMANDE CAPTOUCH CARTE CIRCUIT IMPRIMÉ PRINCIPALE (INCLUANT LA QUINCAILLERIE)	1
15	S1115675	COUVERCLE DU BOÎTIER DE CÂBLAGE POUR VENTILATEUR SIMPLE (INCLUANT LES VIS)	1
16	S99010434-001	FILTRE À GRAISSES - HOTTE DE 30" À MAILLAGE FIN (ENSEMBLE DE 2)	1 ensemble
17	S1115686	SACHET DE PIÈCES INCLUANT LES SUPPORTS EZ1	1 ensemble

## Garantie limitée

**Période de garantie et exclusions :** Broan NuTone LLC (la « Société ») ou Venmar Ventilation ULC et/ou son subsidiaire garantit au consommateur acheteur initial (« vous ») de son produit (le « Produit ») que celui-ci est exempt de tout vice de matériau ou de fabrication pour une période de un (1) an à compter de la date d'achat originale (ou toute période plus longue que pourrait exiger une loi applicable). Pour les hottes munies de modules à DEL intégrés, la Société garantit que les modules à DEL ainsi que le module d'alimentation DEL sont exempts de tout vice de matériau pour une période de trois (3) ans. La période de la garantie limitée sur toute pièce de remplacement fournie par la Société et sur tout produit réparé ou remplacé en vertu de la présente garantie limitée correspond au reste de la période de garantie originale (ou toute période plus longue que pourrait exiger une loi applicable). La présente garantie ne s'applique pas aux tubes fluorescents et aux démarreurs, ni aux ampoules halogènes, incandescentes ou DEL, fusibles, filtres, conduits, capuchons de toit, capuchons muraux et autres accessoires pour conduits pouvant avoir été achetés séparément et installés avec le produit. La présente garantie ne couvre pas (a) les travaux d'entretien et de service normaux, (b) l'usure normale, (c) tout produit ou toute pièce ayant fait l'objet d'une mauvaise utilisation, d'un abus, d'un usage anormal, d'une négligence, d'un accident, d'un entretien, rangement ou réparation inadéquats ou insuffisants (autre que par la Société), (d) les dommages dus à une mauvaise installation, ou à une installation ou utilisation contraires aux recommandations ou instructions, (e) tout produit déplacé de son lieu d'installation original, (f) les dommages dus à des éléments environnementaux ou naturels, (g) les dommages dus au transport, (h) l'usure naturelle du fini, (i) les produits utilisés à des fins commerciales ou non-résidentielles ou (j) les dommages dus à un incendie, à une inondation ou à un événement fortuit, (k) les produits dont les numéros de série ont été altérés, rendus illisibles ou enlevés. La présente garantie ne couvre que les produits vendus au consommateur initial aux États-Unis et au Canada par la Société ou par les distributeurs américains et canadiens autorisés par la Société.

La présente garantie remplace toute garantie précédente et le consommateur et acheteur initial ne peut la céder à quiconque.

**Aucune autre garantie :** La présente garantie limitée stipule les seules obligations de la Société et votre seul recours en cas de produits défectueux. La garantie ci-dessus est exclusive et remplace toute autre garantie, expresse ou tacite. LA SOCIÉTÉ EXCLUT TOUTE AUTRE GARANTIE OU CONDITION EXPRESSE ET TOUTE GARANTIE OU CONDITION DÉCOULANT IMPLICITEMENT DE LA LOI, Y COMPRIS, SANS S'Y LIMITER, LES GARANTIES DE VALEUR MARCHANDE ET D'ADEQUATION À UN USAGE PARTICULIER. Dans la mesure où la loi en vigueur interdit l'exclusion des garanties tacites ou conditions, la durée de toute garantie tacite est limitée à la période stipulée ci-dessus pour la garantie expresse. Certains territoires ou provinces interdisant de limiter la durée d'une garantie tacite, la limitation ci-dessus peut ne pas s'appliquer à votre situation. Toute description verbale ou écrite du produit a pour seule fin de l'identifier et ne doit pas être interprétée comme une garantie expresse.

Si possible, chaque disposition de cette garantie limitée doit être interprétée de sorte à être en vigueur et valide en vertu des lois applicables, mais si une disposition s'avère interdite ou invalide, elle le sera seulement dans la mesure de cette interdiction ou invalidité, sans invalider le reste de cette disposition ni les autres dispositions de la présente garantie limitée.

**Recours :** Pendant la période de garantie limitée applicable, la Société pourra, à son choix, fournir des pièces de rechange ou réparer ou remplacer, sans frais, tout produit ou toute pièce, dans la mesure où la Société constate qu'il est couvert et contrevient à la présente garantie limitée dans des conditions normales d'utilisation et de service. La Société vous enverra gratuitement le produit réparé ou remplacé ou les pièces de rechange. Vous êtes responsable des frais de démontage, de remontage, d'expédition, d'assurance ou de tous autres frais de transport pour l'envoi du produit ou de la pièce à la Société. Si vous devez envoyer le produit ou la pièce à la Société, tel que la Société vous l'indiquera, vous devrez l'emballer correctement. La Société n'est pas responsable des dommages subis lors du transport. La Société se réserve le droit d'utiliser des produits ou des pièces remis en état, remis à neuf, réparés ou réusinés dans le processus de réparation ou de remplacement sous garantie. Lesdits produits ou pièces seront comparables en fonction et en performance aux produits et pièces d'origine et seront garantis pendant le reste de la période de garantie originale (ou toute période plus longue que pourrait exiger une loi applicable).

La Société se réserve le droit, à son entière discrétion, de vous rembourser le prix que vous avez payé pour votre produit en lieu et place d'une réparation ou d'un remplacement. Si le produit ou le composant n'est plus offert, il sera remplacé par un produit de valeur égale ou supérieure, à l'entière discrétion de la Société. Cette mesure constitue votre recours exclusif en cas de violation de cette garantie limitée.

**Exclusion de dommages :** L'OBLIGATION DE LA SOCIÉTÉ DE FOURNIR DES PIÈCES DE RECHANGE, OU DE RÉPARER OU REMPLACER LE PRODUIT, À SON CHOIX, CONSTITUE VOTRE SEUL ET UNIQUE RECOURS EN VERTU DE LA PRÉSENTE GARANTIE LIMITÉE ET LA SEULE ET UNIQUE OBLIGATION DE LA SOCIÉTÉ. LA SOCIÉTÉ NE PEUT ÊTRE TENUE RESPONSABLE DE TOUT DOMMAGE INDIRECT, CONSÉCUTIF, ACCESSOIRE OU SPÉCIAL DÉCOULANT DE L'UTILISATION OU DU RENDEMENT DU PRODUIT. Les dommages accessoires comprennent, sans pour autant y être limités, la perte de temps et la privation de jouissance. Les dommages indirects comprennent, sans pour autant y être limités, le coût de réparation ou de remplacement des autres biens endommagés par le mauvais fonctionnement du produit.

LA SOCIÉTÉ NE POURRA ÊTRE TENUE RESPONSABLE EN RIEN, NI À TOUTES PERSONNES, DE TOUTE OBLIGATION OU RESPONSABILITÉ INCLUANT SANS S'Y LIMITER, LES OBLIGATIONS OU RESPONSABILITÉS ÉMANANT D'UN BRIS DE CONTRAT OU D'UNE VIOLATION DE GARANTIE, LA NÉGLIGENCE OU AUTRE FORME DE PRÉJUDICE, OU TOUT AUTRE THÉORIE DE STRICTE RESPONSABILITÉ CONCERNANT LE PRODUIT, LES ACTIONS, OMISSIONS OU AUTRE DE LA SOCIÉTÉ.

Certains territoires ou provinces ne permettant pas la limitation ou l'exclusion des dommages indirects ou consécutifs, la limitation ci-dessus peut ne pas s'appliquer à votre situation. La présente garantie vous confère des droits spécifiques reconnus par la loi. D'autres droits pourraient également vous être accordés selon la législation locale en vigueur.

La présente garantie ne couvre que le remplacement ou la réparation des produits ou pièces défectueux à l'usine principale de la Société et ne comprend pas les frais de voyage et ni les dépenses quotidiennes pour une réparation à domicile.

Toute aide que la Société vous fournit en dehors des dispositions, limitations ou exclusions de cette garantie limitée ne constituera en rien une renonciation auxdites dispositions, limitations ou exclusions, et ne prolongera aucunement cette garantie pas plus qu'elle ne la remettra en vigueur. Les conditions, exclusions et les limitations de responsabilités au titre de la présente garantie ne s'appliqueront pas dans la mesure où toute loi applicable l'interdit.

La Société ne vous remboursera aucune dépense encourue par vous pour la réparation ou le remplacement de tout produit défectueux, sauf celles que vous avez encourues avec la permission écrite préalable de la Société.

**Comment bénéficier du service de garantie :** Pour vous prévaloir de cette garantie, vous devez (a) aviser la Société à l'adresse ou au numéro de téléphone indiqués ci-dessous dans les sept (7) jours du constat de la défectuosité couverte, (b) donner le numéro de modèle du produit et le numéro d'identification de la pièce et (c) décrire la nature de la défectuosité du produit ou de la pièce. Lors de votre demande de garantie, vous devez présenter une preuve de la date d'achat originale. Si vous ne pouvez pas fournir une copie écrite de la garantie limitée originale, les dispositions de la garantie limitée écrite la plus récente de la Société concernant ce produit particulier s'appliqueront. Vous trouverez les garanties limitées écrites les plus récentes des produits de la Société sur les sites [www.broan-nutone.com](http://www.broan-nutone.com) et [www.broan-nutone.ca](http://www.broan-nutone.ca).

Broan-NuTone LLC 926 West State Street, Hartford, Wisconsin, USA 53027 Broan-NuTone.com 800-558-1711

Venmar Ventilation ULC, 550 Lemire Blvd., Drummondville, Québec, Canada J2C 7W9 Broan-NuTone.ca 800-567-3855

# BROAN®

## MANUAL DE INSTALACIÓN, USO Y CUIDADO



**Serie GLA1**



**Serie GLA2**



**Serie MTR1**



**Serie MTR2**

Número de serie: \_\_\_\_\_  
Pieza N.º 1115880

# Contenido

Páginas 3-6.....	Seguridad
Páginas 7-20.....	Instalación
Página 22.....	Funcionamiento
Página 23.....	Mantenimiento y limpieza
Página 25.....	Diagrama de cableado
Páginas 26-30.....	Piezas de servicio
Página 31.....	Garantía

## SEGURIDAD

Este manual explica la instalación y el uso adecuados de su campana. Léalo detenidamente antes de usar el producto, aunque esté familiarizado con el mismo. Mantenga el manual en un lugar seguro para consultas en el futuro.

### Nunca haga lo siguiente:

- No intente usar la campana sin los filtros de grasa o si los filtros están excesivamente grasosos.
- No la instale sobre una estufa con una parrilla de alto nivel.
- No deje sartenes friendo sin vigilar mientras la use, pues las grasas o los aceites sobrecalentados pueden incendiarse.
- Nunca deje llamas abiertas debajo de la campana.



- Si la campana está dañada, no intente usarla.
- No realice flameados debajo de la campana.
- **PRECAUCIÓN:** Las piezas accesibles pueden calentarse cuando se usan con utensilios de cocina.
- El aire no debe descargarse hacia una chimenea que se use para extraer humos de equipos quemadores de gas u otros combustibles. Las campanas y otros extractores de humo de cocina pueden afectar negativamente el funcionamiento seguro de los equipos quemadores de gas u otros combustibles (incluso los de otras habitaciones) debido al contraflujo de los gases de combustión. Estos gases pueden ocasionar intoxicación por monóxido de carbono. Después de instalar una campana u otro extractor de humo de

cocina, una persona competente debe probar el funcionamiento de los equipos quemadores de gas con salida de humo para asegurarse de que no haya contraflujo de gases de combustión.



### Siempre haga lo siguiente:

- ¡Importante! Siempre desconecte el suministro de energía eléctrica en el interruptor principal durante la instalación y el mantenimiento, como al cambiar las bombillas de luz.
- La campana debe instalarse de acuerdo con las instrucciones de instalación y se deben seguir todas las mediciones.
- Todo el trabajo de instalación lo debe realizar una persona competente o un electricista calificado.
- Deseche con cuidado todos los materiales de empaque. Podrían significar un riesgo para los niños.
- Asegúrese de que los conductos no tengan dobleces de menos de 90 grados, pues esto reducirá la eficiencia de la campana.
- **Advertencia:** No instalar los tornillos o el dispositivo de fijación de acuerdo con estas instrucciones puede ocasionar riesgos eléctricos.
- **Advertencia:** Antes de lograr el acceso a las terminales, todos los circuitos de

alimentación deben estar desconectados.

- Si el voltaje nominal de la lámpara es menor que el voltaje nominal del electrodoméstico, el voltaje nominal de la lámpara debe estar marcado también en el soporte de la lámpara o cerca del mismo.
- Cumpla siempre con los requisitos del fabricante del equipo de cocina con respecto a las necesidades de ventilación.
- La campana es únicamente para uso doméstico.



- Si se daña el cable de alimentación, lo debe reemplazar el fabricante, su agente de servicio o personal calificado a un nivel similar, con el fin de evitar un riesgo.
- Precaución: Durante el funcionamiento, el electrodoméstico y sus piezas accesibles pueden calentarse. Tenga cuidado de no tocar los elementos que se calientan.
- Hay riesgo de incendio si la limpieza no se lleva a cabo de acuerdo con las instrucciones.

- Se deben cumplir los reglamentos relacionados con la descarga de aire.
- Limpie periódicamente el electrodoméstico con el método indicado en el capítulo MANTENIMIENTO.
- Por razones de seguridad, use solamente el mismo tamaño de tornillo de fijación o montaje que se recomienda en este manual de instrucciones.
- Con respecto a los detalles acerca del método y de la frecuencia de la limpieza, consulte la sección de mantenimiento y limpieza en el manual de instrucciones.
- Con respecto a la información acerca de cómo fijar el electrodoméstico en el soporte, consulte la sección Funcionamiento en los procedimientos de instalación de este manual.
- **ADVERTENCIA:** Riesgo de incendio: No almacene artículos sobre las superficies para cocinar.
- No se debe usar una limpiadora de vapor.
- **NUNCA** trate de extinguir un incendio con agua; apague el electrodoméstico y luego cubra la llama con una tapa o una manta para incendios.

## LEA Y CONSERVE ESTAS INSTRUCCIONES

### INSTRUCCIONES IMPORTANTES DE SEGURIDAD

#### **ADVERTENCIA**

1. Antes de dar servicio o limpiar la unidad, desconecte o desenchufe la campana de la fuente de alimentación.
2. PARA REDUCIR EL RIESGO DE QUE ARDA LA GRASA EN LA PARTE SUPERIOR DE LA COCINA:
  - A. No deje nunca recipientes de cocina a fuego vivo sin vigilancia. Los desbordamientos producen humo y derrames grasientos que pueden inflamarse. Caliente el aceite despacio, a fuego lento o mediano.
  - B. Ponga en marcha siempre la campana extractora al cocinar a temperaturas elevadas o al cocinar alimentos flameados (crepas Suzette, cerezas jubilee, res con pimienta flambeada).
  - C. Limpie el ventilador con frecuencia. No deje que la grasa se acumule en el ventilador, ni en el filtro o en los conductos de evacuación.
  - D. Utilice cacerolas de tamaño apropiado. Emplee siempre un recipiente adecuado para el tamaño de la placa.
3. PARA REDUCIR EL RIESGO DE LESIONES CORPORALES EN EL CASO DE QUE ARDA LA GRASA EN LA PARTE SUPERIOR DE LA COCINA, SIGA ESTAS INDICACIONES:
  - A. SOFOQUE LAS LLAMAS con una tapa ajustada, una hoja o bandeja metálica para hornear galletas, y apague el quemador. TENGA CUIDADO PARA EVITAR QUEMADURAS. SI LAS LLAMAS NO SE APAGAN INMEDIATAMENTE, EVACUE EL LUGAR Y LLAME A LOS BOMBEROS.
  - B. NO SUJETE NUNCA UNA SARTÉN EN LLAMAS ya que podría quemarse.
  - C. NO USE AGUA, ni trapos húmedos. Podría causar una violenta explosión de vapor.
  - D. Utilice un extintor SOLAMENTE si:
    - 1) Tiene un extintor de tipo ABC, y sabe usarlo.
    - 2) El incendio es pequeño y está circunscrito a la zona donde empezó.
    - 3) Ya ha llamado a los bomberos.
    - 4) Puede tratar de apagar el fuego si dispone siempre de una salida detrás de usted.
4. Para reducir el riesgo de incendio o de descargas eléctricas, no use esta unidad con ningún otro control de velocidad de estado sólido
5. **Para una campana conectada de manera permanente**  
PARA REDUCIR EL RIESGO DE LESIONES CORPORALES, SIGA ESTAS INDICACIONES:
  - A. Use la unidad solo de la manera indicada por el fabricante. Si tiene preguntas, póngase en contacto con el fabricante.
  - B. Antes de dar servicio a la unidad o de limpiarla, interrumpa el suministro eléctrico en el panel de servicio y bloquee los medios de desconexión del servicio para evitar que la electricidad se reanude accidentalmente. Cuando no sea posible bloquear los medios de desconexión del servicio, ponga una señal de advertencia (como una etiqueta) en un lugar visible del panel de servicio.

## **6. Para una campana conectada con cable**

**ADVERTENCIA:** PARA PROTEGER CONTRA DESCARGAS ELÉCTRICAS, CONÉCTELA ÚNICAMENTE EN TOMACORRIENTES DEBIDAMENTE CONECTADOS A TIERRA.

1. Este electrodoméstico no está diseñado para que lo usen personas (incluidos niños) con capacidades físicas, sensoriales o mentales reducidas, o que carezcan de experiencia y conocimientos, a menos que cuenten con supervisión o instrucción acerca del uso del electrodoméstico por una persona responsable de su seguridad.
2. Se debe supervisar a los niños para garantizar que no jueguen con el electrodoméstico.
3. Si se daña el CABLE DE ALIMENTACIÓN, lo debe reemplazar un personal cualificado de acuerdo con los códigos y normas aplicables.
4. El aire no debe descargarse hacia una chimenea que se use para extraer humos de equipos quemadores de gas u otros combustibles.
5. Para lograr una mejor captura de las impurezas producidas al cocinar, la parte inferior de la campana no deberá estar A UN MÍNIMO de 18" de la campana eléctrica o 26" de la campana de gas y a un máximo recomendado de 30" por arriba de la superficie para cocinar (a discreción del instalador).
6. Se deben cumplir los reglamentos relacionados con la descarga de aire.
7. Para reducir el riesgo de incendio, descarga eléctrica o lesiones físicas, no use piezas de repuesto que no estén recomendadas por el fabricante (es decir, piezas hechas en casa con una impresora de 3D).

### **PRECAUCIÓN:**

1. Solo para usarse como medio de ventilación general. No debe usarse para la extracción de materiales y vapores peligrosos o explosivos.
2. Se deberá contar con la ventilación adecuada de la habitación donde se use la campana al mismo tiempo que equipos quemadores de gas u otros combustibles.
3. Hay riesgo de incendio si la limpieza no se lleva a cabo de acuerdo con las instrucciones.
4. Las partes accesibles pueden calentarse cuando se usan con aparatos de cocina.

# INSTALACIÓN

## **⚠️⚠️ ADVERTENCIA**

1. PARA REDUCIR EL RIESGO DE INCENDIO, USE SOLAMENTE CONDUCTOS METÁLICOS. INSTRUCCIONES PARA LA PUESTA A TIERRA

### **2. Para la campana conectada por cable**

#### **INSTRUCCIONES PARA LA PUESTA A TIERRA**

Este aparato debe estar conectado a tierra. En caso de un corto circuito eléctrico, la puesta a tierra reduce el riesgo de una descarga eléctrica al suministrar un cable de escape para la corriente eléctrica. Este aparato está equipado con un cordón que tiene cable de conexión a tierra y clavija de conexión a tierra. La clavija debe conectarse a un tomacorriente que esté adecuadamente instalado y conectado a tierra.

**ADVERTENCIA:** Una puesta a tierra inadecuada puede producir el riesgo de una descarga eléctrica.

Consulte a un electricista calificado si no se entienden totalmente las instrucciones de puesta a tierra o si tiene alguna duda en cuanto a la conexión a tierra apropiada del aparato.

No utilice una extensión eléctrica. Si el cable de la fuente de alimentación es demasiado corto, solicite a un electricista calificado que instale una toma eléctrica cerca del aparato.

### **3. Para la campana conectada de manera permanente**

PARA REDUCIR EL RIESGO DE INCENDIOS, DESCARGAS ELÉCTRICAS O LESIONES PERSONALES, SIGA ESTAS INDICACIONES:

- A. La instalación y la conexión eléctrica deben ser realizadas por personal calificado de acuerdo con todos los códigos y normas aplicables, incluso los relativos a la construcción ignífuga.
- B. Para lograr una combustión adecuada y una extracción correcta de los gases a través de la salida del humo (chimenea) del equipo quemador de combustible – evitando así el contratiro – es necesario disponer de aire suficiente. Siga las directrices del fabricante del equipo de material terminado y las normas de seguridad, como las que publica la NFPA (asociación de protección contra los incendios), y la ASHRAE (sociedad estadounidense de técnicos de calefacción, refrigeración y aire acondicionado) así como los códigos de los organismos responsables locales.
- C. Al cortar o perforar a través de la pared o del cielo raso, tenga cuidado de no dañar el cableado eléctrico ni otros servicios ocultos.
- D. Los ventiladores entubados siempre deben tener salida hacia el exterior.
- E. Si se va a instalar esta unidad sobre una tina o ducha, debe estar marcada como apropiada para esta aplicación y conectarse a un GFCI (interruptor accionado por pérdida de conexión a tierra) en un circuito de derivación protegido.
- F. La instalación y la conexión eléctrica deben ser realizadas por personal calificado de acuerdo con el Código Eléctrico Nacional, ANSI/NFPA 70 y los códigos locales. Antes de comenzar a instalar el aparato, apáguelo en el tablero de servicio y bloquee los medios de desconexión para impedir que la corriente se conecte accidentalmente. Cuando no se pueda bloquear los medios de desconexión, coloque un dispositivo de advertencia visible (como

una etiqueta) en el tablero de servicio.

- G. Conecte el cable eléctrico al cableado de la casa por dentro de la caja del tomacorriente. El conductor o producto identificado como conductor con puesta a tierra (BLANCO) se va a conectar con un conductor con puesta a tierra (BLANCO) de la fuente de alimentación; el conductor del producto identificado como el conductor sin puesta a tierra (NEGRO) se va a conectar con un conductor sin puesta a tierra (NEGRO) de la fuente de alimentación, y el conductor del producto identificado para la puesta a tierra del equipo (VERDE) se va a conectar con el conductor para la puesta a tierra del equipo (VERDE). Fije el cable eléctrico a la caja de cableado con la abrazadera de cables adecuada y vuelva a colocar la placa de la caja de conexiones.

## **⚠ PRECAUCIÓN**

Para reducir el riesgo de incendio y para extraer adecuadamente el aire, asegúrese de dirigir el aire hacia el exterior. No extraiga el aire hacia espacios confinados entre paredes o cielos rasos, ni hacia áticos, sótanos bajos ni cocheras.

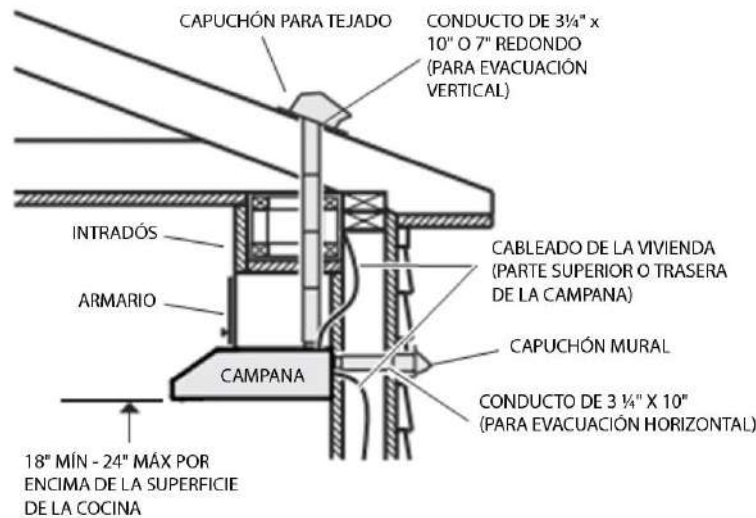
*Respecto a las directrices de instalación para cumplir con la ley ADA, utilice el juego HAWSK3 para la serie GLA1 MTR1, y HAWRK5 para la serie GLA2 MTR2. Visite el sitio web de Broan para ver las instrucciones de instalación ([Instrucciones según ADA para campanas intermedias](#))*

## **Preparación para la instalación**

Herramientas y accesorios recomendados para la instalación:

- Cinta de medir
- Destornillador Phillips N.º 2
- Llave de tuercas o dado de 11/32"
- Destornillador de punta plana (para abrir los orificios ciegos)
- Taladro, broca de 1/8" y serrucho de calar de 1 1/2" (para cortar el orificio de acceso del cableado eléctrico)
- Calzos de madera (2) y tornillos para madera (4) (necesarios para la instalación en armario de cocina con armazón)
- Sierra (para cortar orificios para aplicaciones con conductos)
- Cizallas (para instalaciones con conductos únicamente, para ajustar los conductos)
- Alicates (para instalaciones con conductos únicamente, para ajustar los conductos)
- Cinta adhesiva metálica (para aplicaciones con conductos)
- Tijeras (para cortar la cinta adhesiva metálica)
- Lápiz
- Desferrador de hilos
- Descarga de presión, de 1/2" de diámetro (para sujetar el cableado de la vivienda a la campana)
- Compuerta BP87Q (necesario si se utiliza conductos redondos de 7".)

## Instale los conductos (instalaciones canalizadas únicamente)



NOTA: Las distancias superiores a 30" son a discreción del instalador y del usuario.

1. Determine si la campana evacuará verticalmente (conducto redondo de 3 1/4 x 10" o 7") u horizontalmente (sólo conducto de 3 1/4 x 10").
2. Decida por dónde pasarán los conductos entre la campana y el exterior.
3. El conducto que conecta la campana con el exterior de edificio tiene un efecto directo sobre el flujo del aire, el ruido generado y el consumo de energía de su ventilador. Para obtener el mejor rendimiento, utilice un conducto lo más recto y corto posible, evitando conectar el ventilador de la campana a un conducto más pequeño de lo recomendado. El uso de aislante alrededor del conducto puede reducir la pérdida de energía y prevenir el crecimiento de moho. Las campanas instaladas con conductos preexistentes pueden no alcanzar su caudal nominal. Consulte la tabla siguiente para planificar la instalación más eficiente.
4. Instale un capuchón mural o un capuchón para tejado (se venden por separado); asegúrese de que no haya fugas en el aislamiento de la casa.
5. Instale un capuchón para tejado y vuelva al lugar donde se encuentra la campana. Use cinta adhesiva metálica de 2" para sellar las juntas entre los tramos de los conductos.

Longitudes máximas de conducto recomendadas para lograr una eficiencia de evacuación del 80

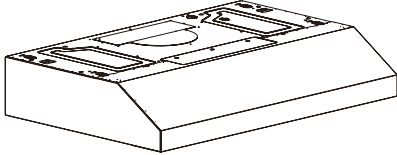

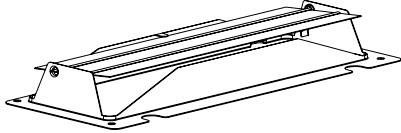

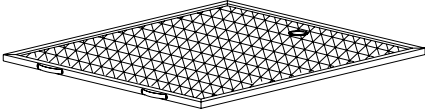
LONGITUD MAXIMAL DEL CONDUCTO DE 3 1/4 PO X 10 PO, HORIZONTAL	LONGITUD MAXIMAL DEL CONDUCTO DE 3 1/4 PO X 10 PO, VERTICAL	LONGITUD MAXIMAL DEL CONDUCTO REDONDO DE 7 PO	TAPAS DE PARED O DE TECHO CON VÁLVULA	COUDO(S)* DE (90° Y/O 45°)
90 pi	94 pi	78 pi	1	0
82 pi	86 pi	65 pi	1	1
74 pi	79 pi	51 pi	1	2


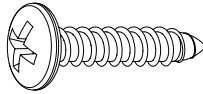
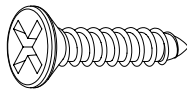
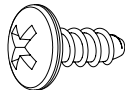
\* Codos normales de radio interno de 1 po.

NOTA: Es posible utilizar conductos redondos de 6 po pero la eficiencia de la evacuación podría verse reducida.

## Contenido

Antes empezar la instalación, verifique el contenido de la caja. Si faltan elementos o hay elementos dañados, póngase en contacto con el fabricante. Compruebe que estén en la caja los siguientes elementos:

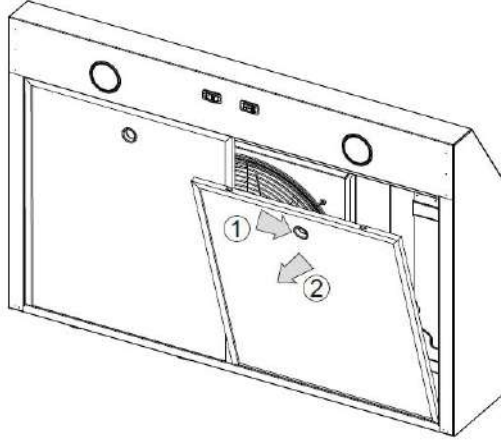
N.º	ARTÍCULO	DIBUJO	CANT.
1	CAMPANA		1
2	CONDUCTO REDONDO DE 7"		1
3	CONDUCTO DE 3 1/4" x 10"		1
4	BOLSA CON PIEZAS		1
5	FILTROS DE GRASA		2

N.º	BOLSA CON PIEZAS QUE CONTIENE	DIBUJO	CANT.
1	Componentes EZ1		2
2	Tornillos de cabeza redonda de 3/16" x 11/16"		6
3	Tornillos embutidos de 3/16" x 11/16"		4
4	Tornillos de cabeza redonda 3/16" x 5/16"		5

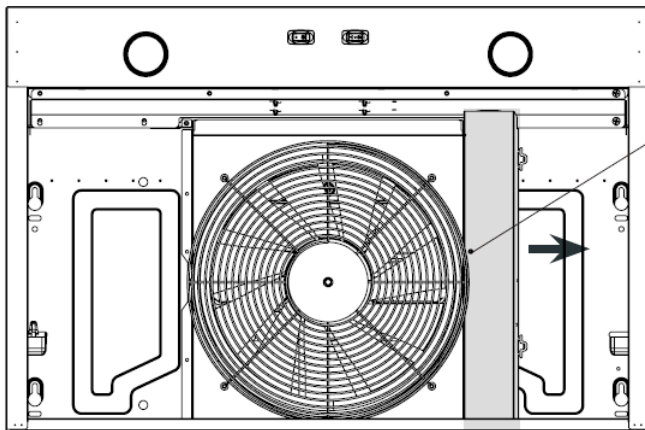
## Prepare la campana

NOTA: Dado el gran número de modelos de los que trata este manual, algunos detalles de su aparato pueden ser ligeramente distintos de los que se muestran aquí.

1. De haberla, retire de la campana y de todas las piezas la película protectora.
2. Retire los filtros empujando hacia abajo ① e inclinándolos hacia afuera ②.



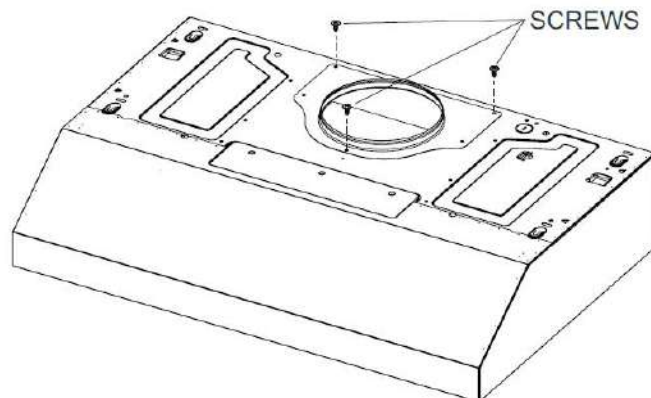
3.



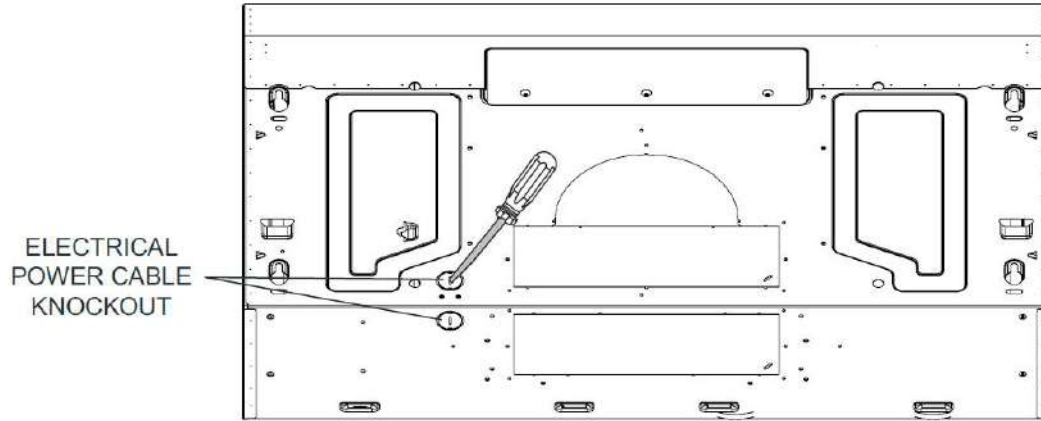
Retire el tornillo.

Empuje hacia la derecha para quitar la cubierta del cableado.

4. Use un destornillador Phillips para quitar los 3 tornillos del conducto redondo de 7". Retire el conducto redondo de 7".

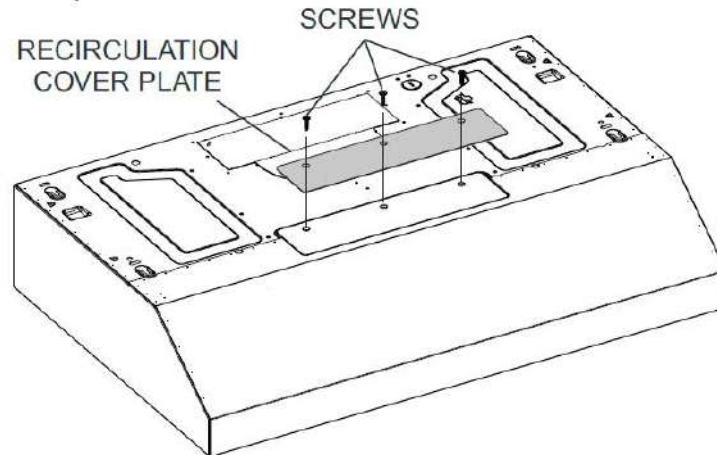


5. Retire la parte punzonada para el cable de alimentación eléctrica desde la parte superior (cableado vertical) o desde la parte trasera (cableado horizontal) de la campana. Instale una descarga de presión adecuada de 1/2" de diámetro (no incluida).



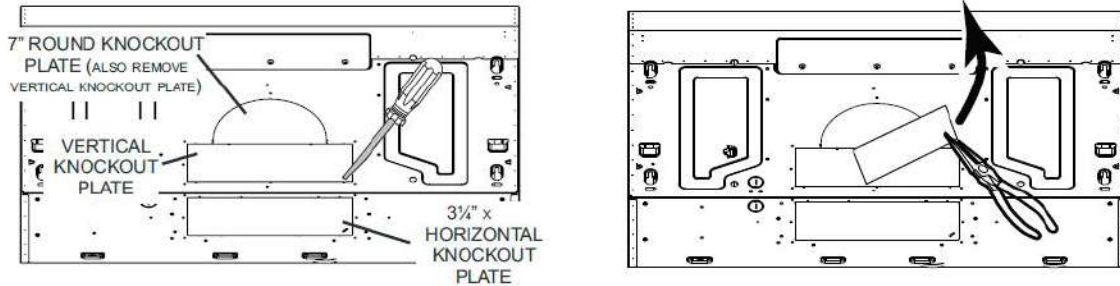
#### **4. PARA INSTALACIÓN DE RECIRCULACIÓN ÚNICAMENTE**

Retire los 3 tornillos que sujetan la placa de la cubierta de recirculación (parte sombreada de la ilustración de abajo) a la campana. Deseche esta placa y los tornillos para uso futuro. Desprenda y deseche la membrana que cubre la rejilla de recirculación; asegúrese de que las aberturas queden totalmente despejadas.



## 5. PARA INSTALACIÓN CON CONDUCTOS ÚNICAMENTE

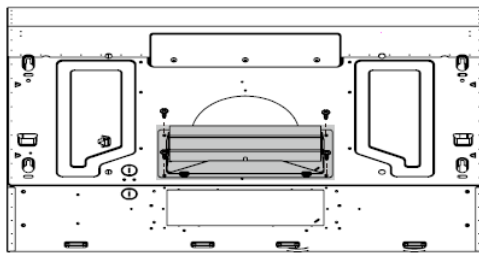
Retire la placa punzonada vertical de 3¼" x 10", la placa punzonada horizontal de 3¼" x 10" o la placa punzonada redonda de 7 pulgadas, según el modo de evacuación elegido.



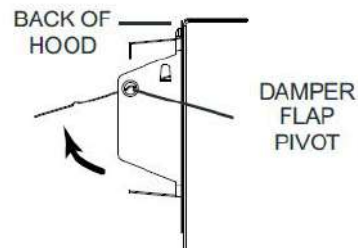
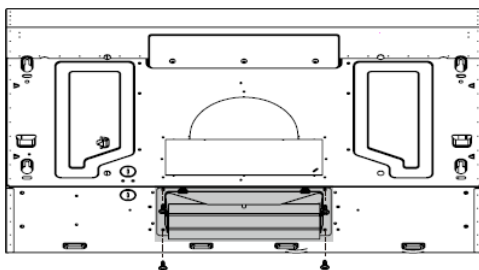
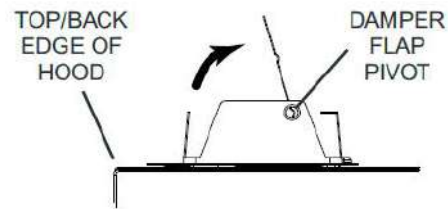
## 6. PARA INSTALACIÓN CON CONDUCTOS ÚNICAMENTE

Instale el conjunto de la clapeta de 3¼" x 10" en la parte superior O en la parte trasera de la campana (si se usa el conducto de 3¼" x 10"; parte sombreada de la **Figura 2 A** de abajo) o la placa para conducto redondo de 7" (si se usa el conducto redondo de 7 pulgadas, **Figura 3**). Una vez instalado, el conjunto de la clapeta de 3¼" x 10" debe abrirse como se ve en la **Figura 2 B**.

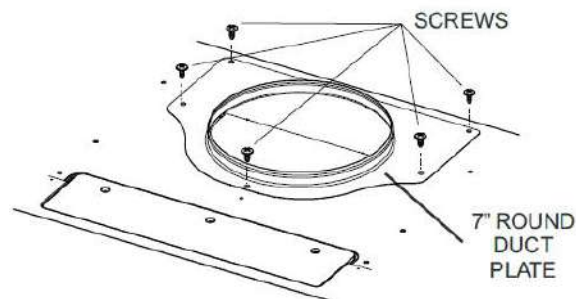
**Figura 2 A**



**Figura 2 B**



**Figura 3**



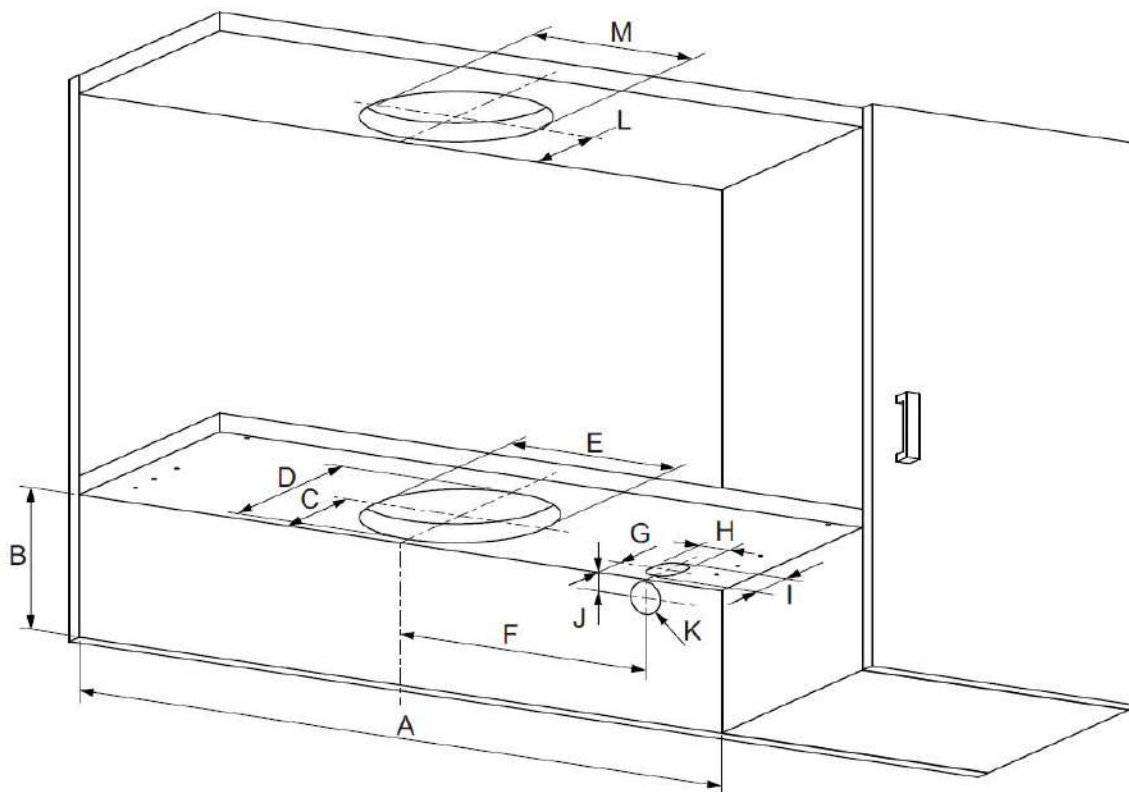
**CONSEJO:** Introduzca una pequeña longitud de conducto en el conjunto de la clapeta de 3¼" x 10" (para un conducto rectangular) o en la placa para conducto redondo de 7" (para un conducto redondo) y selle la junta con cinta adhesiva de aluminio para facilitar la conexión con los conductos de la vivienda.

## Prepare la ubicación de la campana

Este manual cubre 2 tipos de instalación: la estándar (sin soportes EZ1) y el sistema de instalación EZ1 de una persona (utilizando los soportes provistos).

Corte los orificios para los conductos y el orificio para el cableado que pasa por dentro del gabinete, de acuerdo con la ruta de conductos que elija.

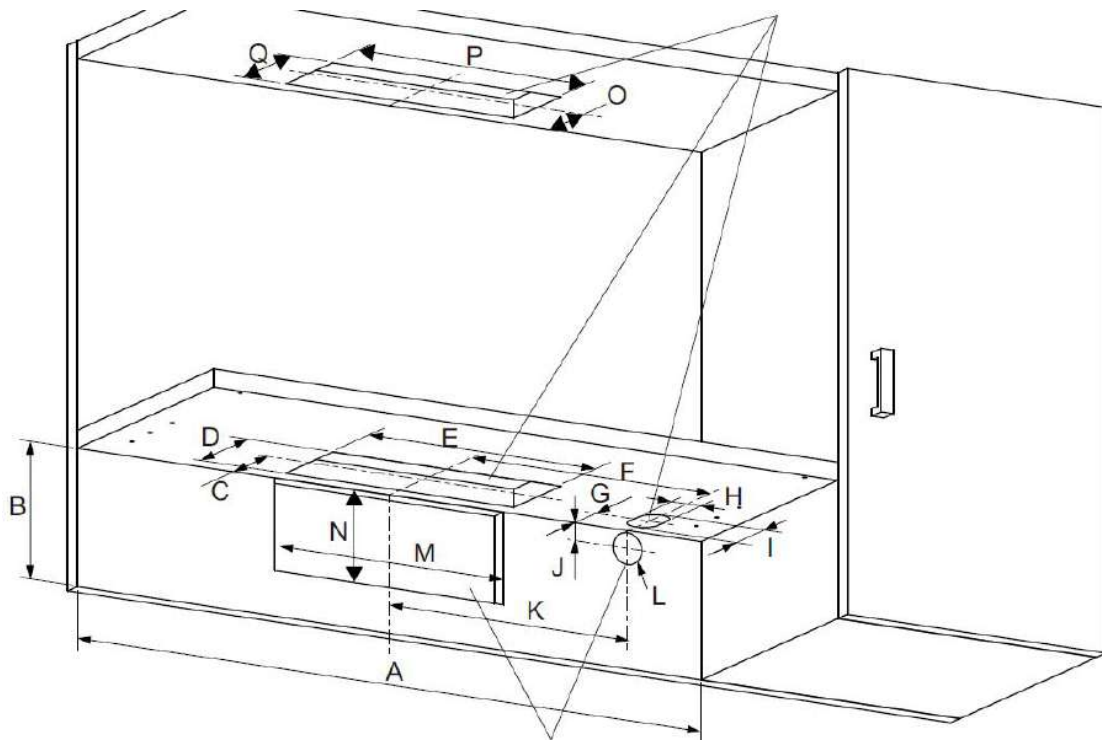
### Para conducto redondo de 7"



A = 30 1/8 po ; B = 6 po para GLA, 5 1/8 po para MTR ; C = 4 7/8 po ; D = 8 7/16 po ;  
E =  $\varnothing$  7 7/8 po ; F = 7 5/16 po ; G = 1 3/4 po ; H =  $\varnothing$  1 3/8 po ; I = 2 3/16 po ;  
J = 13/16 po ; K =  $\varnothing$  1 3/8 po ; L = 4 9/16 po ; M =  $\varnothing$  7 7/8 po

Para conducto de 3 1/4" x 10"

3/4" x 10" PARA EVACUACIÓN VERTICAL

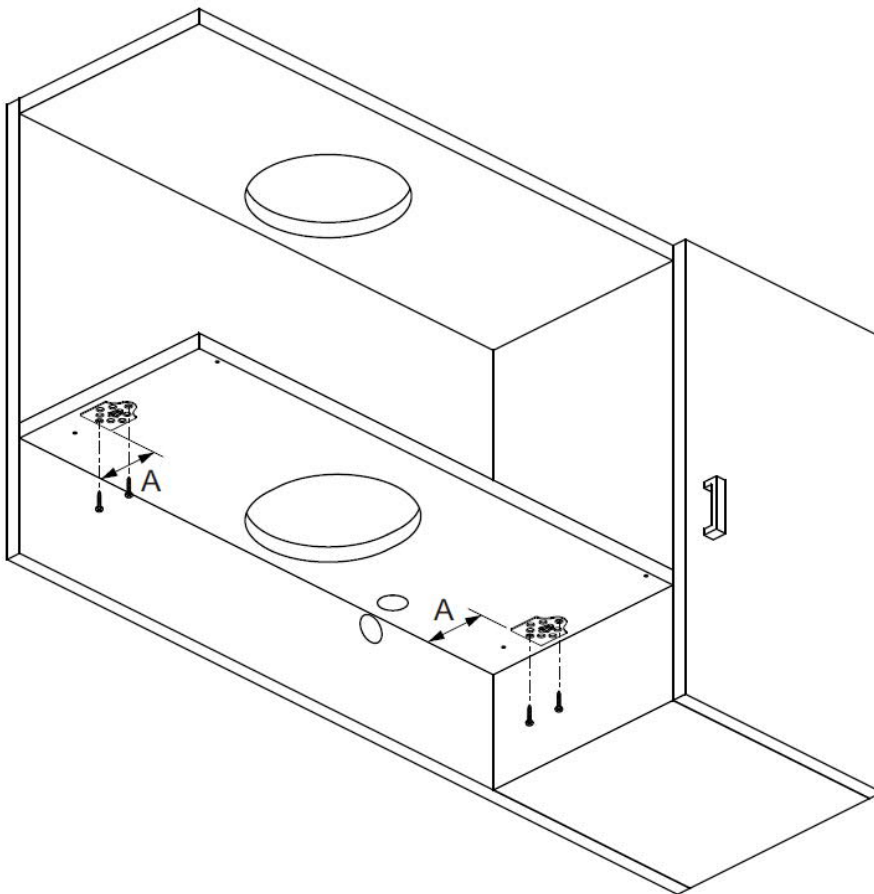


3/4" x 10" PARA EVACUACIÓN HORIZONTAL

A = 30 1/8 po ; B = 6 po para GLA, 5 1/8 po para MTR ; C = 2 15/16 po ; D = 4 3/4 po ;  
E = 11 po ; F = 7 5/16 po ; G = 1 3/4 po ; H =  $\varnothing$  1 3/8 po ; I = 2 3/16 po ; J = 13/16 po ;  
K = 7 5/16 po ; L =  $\varnothing$  1 3/8 po ; M = 11 po ; N = 4 po ; O = 2 15/16 po ; P = 11 po ;  
Q = 4 3/4 po

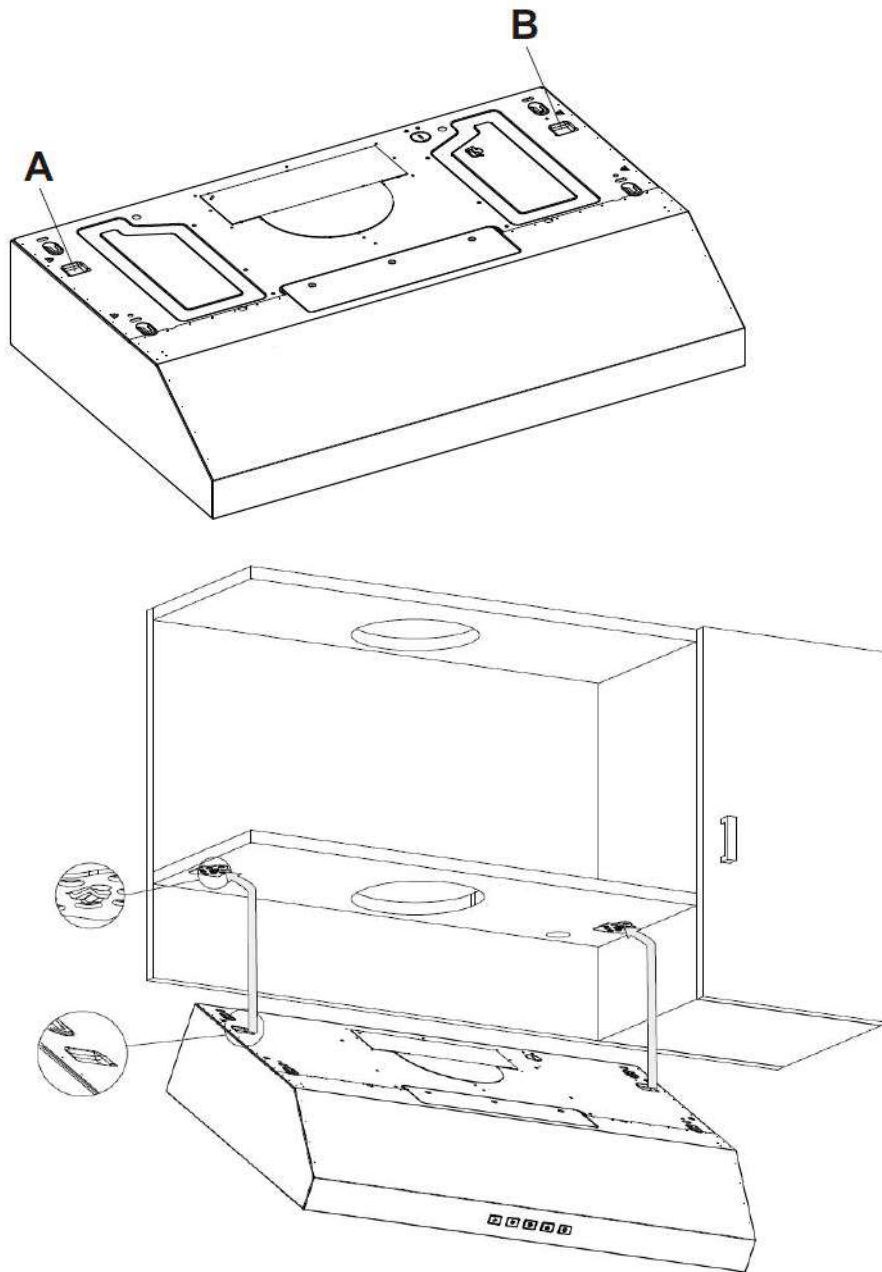
## Instale la campana (soporte EZ1)

1. Lleve el cable de alimentación de la vivienda del tablero de servicio al lugar de la campana.
2. Utilice 4 tornillos embutidos de 3/16" x 11/16" para fijar los 2 soportes EZ1 al gabinete.

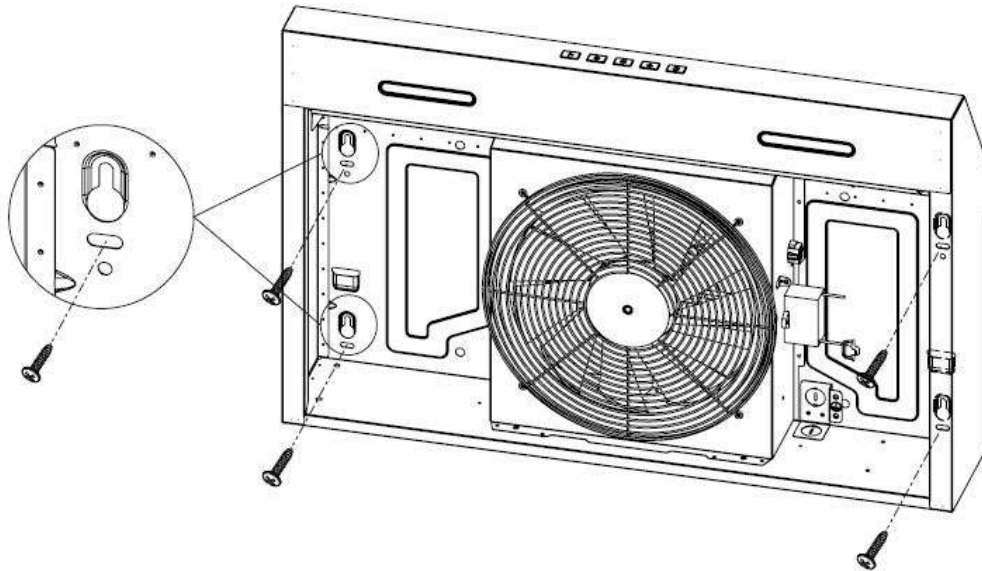


A=3 3/8"

3. Levante la campana e inserte las posiciones A B de la campana en los soportes EZ1.



4. Cuelgue **TEMPORALMENTE** la campana con los soportes EZ1. Mientras sostiene la campana, tienda el cable eléctrico de la casa en la campana por el alivio de tensión que instaló anteriormente.
5. Sujete la campana instalando 4 tornillos de cabeza redonda de 3/16" x 11/16" en las ranuras.

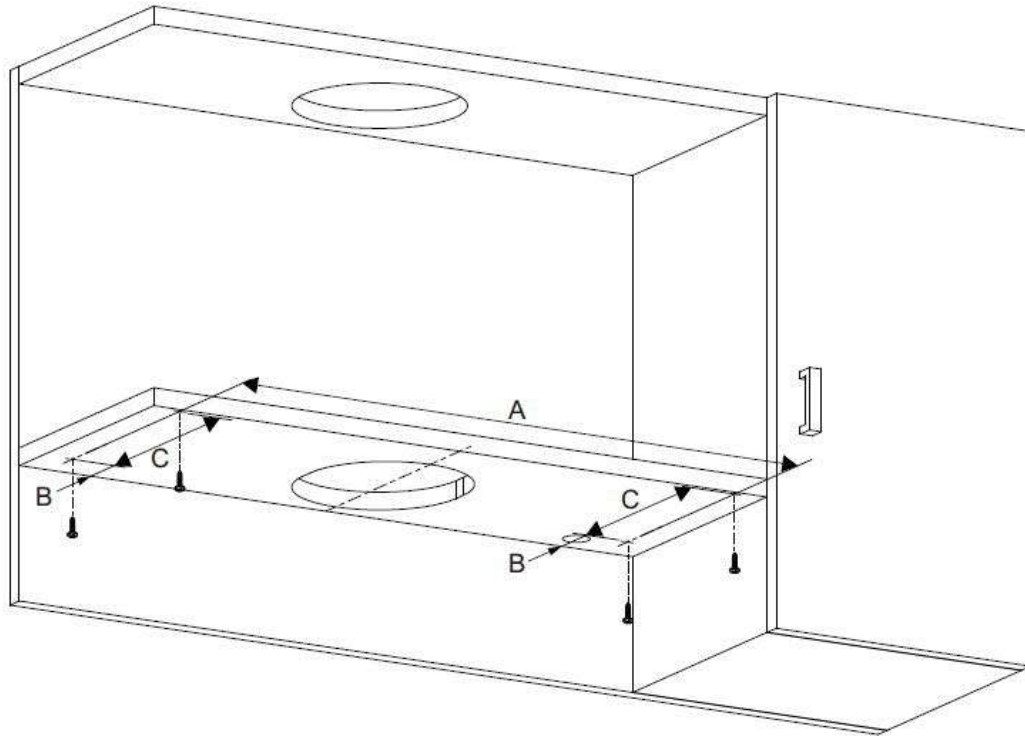


## **6. PARA INSTALACIÓN CON CONDUCTOS ÚNICAMENTE**

Conecte el sistema de conductos a la campana y ponga cinta adhesiva metálica para conductos en las uniones para fijarlas y sellarlas. Asegúrese de que el conjunto del regulador de tiro (o placa redonda para conductos) entre a los conductos y que el regulador de tiro pueda abrirse y cerrarse libremente.

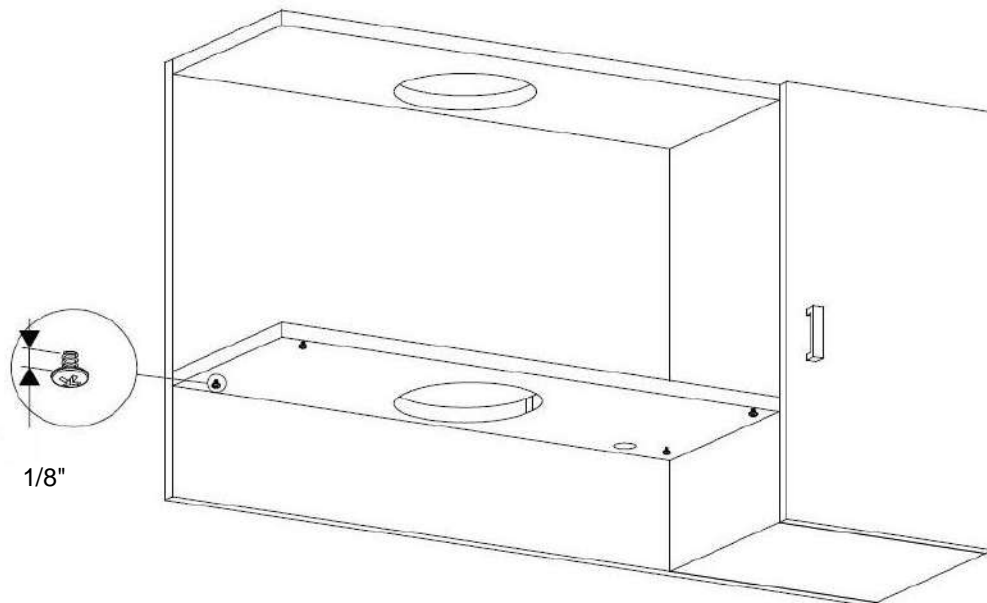
### **Instale la campana (instalación estándar)**

1. Lleve el cable de alimentación del panel de servicio hasta la ubicación de la campana.
2. Instale 4 tornillos de cabeza redonda de 3/16" x 11/16" en el gabinete, de acuerdo con las posiciones del diagrama siguiente.

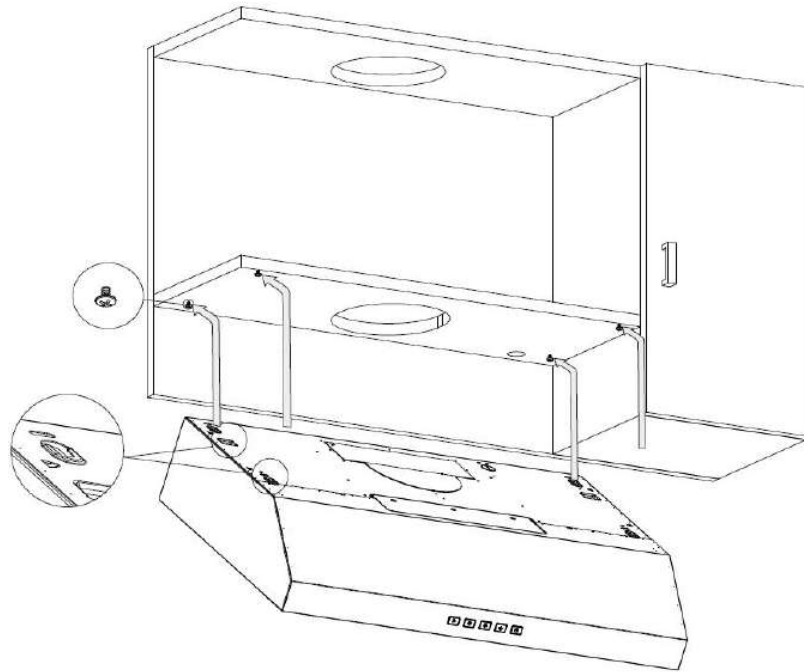


A=27 1/4" ; B=2 1/16" ; C=9 1/16"

AVISO: Deje 1/8" de espacio entre la cabeza del tornillo y el gabinete.

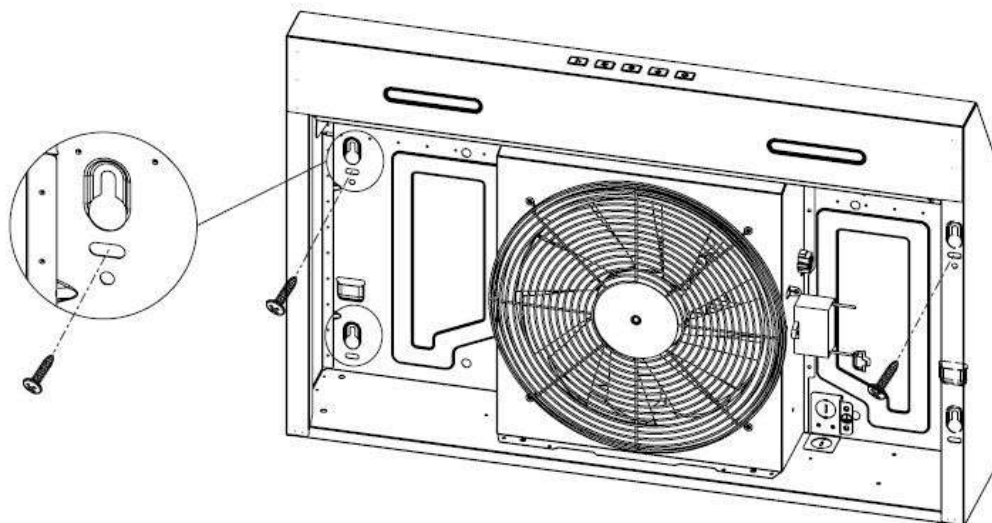


3. Levante la campana. Inserte los 4 orificios en los tornillos. Deslice la campana en su lugar.



4. Mientras sostiene la campana, tienda el cable de alimentación de la casa en la campana por el alivio de tensión que instaló anteriormente.

5. Sujete la campana instalando 2 tornillos de cabeza redonda de 3/16" x 11/16".



6. Después, apriete los otros 4 tornillos de 3/16" x 11/16" que se instalaron en el paso 2.

### **7. PARA INSTALACIÓN CON CONDUCTOS ÚNICAMENTE**

Conecte los conductos a la campana y use cinta adhesiva metálica para sellar las juntas. Asegúrese de que el conjunto de la clapeta (o la placa del conducto redondo) entra en el conducto y que la clapeta se abre y se cierra sin dificultad.

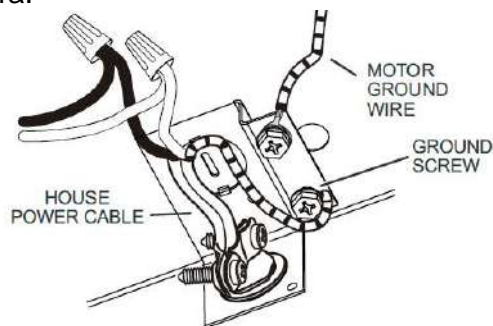
## Conecte los cables

### WARNING

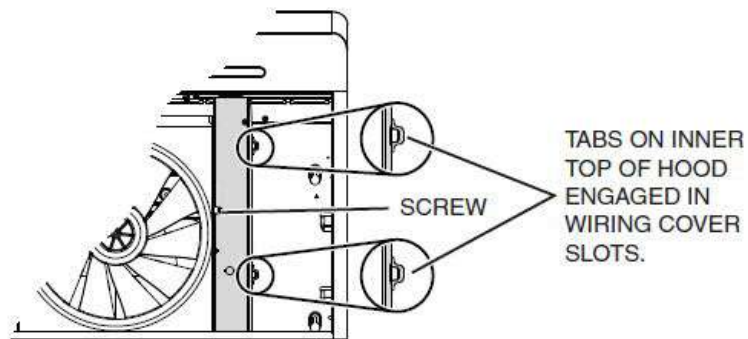


**Risk of electric shock. Electrical wiring must be done by qualified personnel in accordance with all applicable codes and standards. Before connecting wires, switch power off at service panel and lock service disconnecting means to prevent power from being switched on accidentally.**

1. Conecte el cable de alimentación de la vivienda al cableado de la campana: El hilo NEGRO con el NEGRO, el BLANCO con el BLANCO y el VERDE o el hilo pelado con el tornillo VERDE de tierra.



2. Vuelva a instalar la tapa de cableados y sujétela a la campana con su tornillo de retención.



## Instale los filtros

### **INSTALACIÓN CON CONDUCTOS ÚNICAMENTE**

Vuelva a instalar los filtros de grasa que quitó en el paso 1 bajo "Prepare la campana".

### **INSTALACIÓN SIN CONDUCTOS ÚNICAMENTE**




Compre dos filtros para instalación sin conductos a un distribuidor o minorista local (vea la etiqueta de especificaciones del producto para el tipo de filtro). Instale los filtros sin conductos siguiendo las instrucciones que vienen con los filtros.

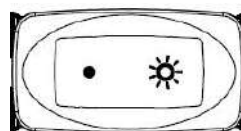
## FUNCIONAMIENTO



Ponga la campana en marcha siempre antes de empezar a cocinar para crear una corriente de aire en la cocina. Deje funcionar el ventilador impelente varios minutos para limpiar el aire cuando ya haya apagado la cocina. De este modo, la cocina estará más limpia y despejada. La campana funciona así:

### C. Interruptor basculante

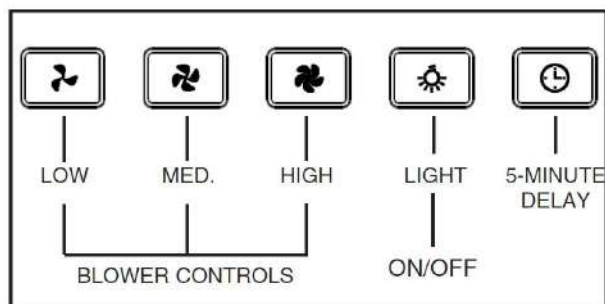


1. Presione  para encender el ventilador a baja velocidad.
2. Presione  para apagar el ventilador.
3. Presione  para encender el ventilador a alta velocidad.



1. Presione  para encender la luz.
2. Presione  para apagar la luz.

### D. Control sensible al tacto



1. Presione el botón de la luz para encender y apagar las luces. Al presionar la primera vez, la luz enciende con baja intensidad. Al presionar la segunda vez, la luz enciende con alta intensidad.
2. Presione los controles del ventilador para seleccionar la velocidad baja, media o alta del ventilador (cada vez que se seleccione una velocidad, su luz indicadora se encenderá).
3. Presione una vez más la velocidad del ventilador actual para detenerlo.
4. Cuando tenga activo el ventilador, presione una vez el botón de retardo de 5 minutos (su luz indicadora se encenderá) para que la campana funcione 5 minutos y luego se apague automáticamente. Cuando se active el retardo de 5 minutos, al cambiar la velocidad del ventilador se cancelará la función del retardo. Para cancelar la función de apagado con retardo antes de que termine el ciclo de 5 minutos, presione una vez más el botón de retardo o seleccione otra velocidad del ventilador.

## MANTENIMIENTO Y LIMPIEZA

El mantenimiento adecuado de la campana permitirá que funcione correctamente.

### **MOTOR**

El motor está lubricado permanentemente y no necesita engrase nunca. Si los rodamientos del motor hacen un ruido excesivo o no habitual, sustituya el motor por otro idéntico. También se debería sustituir la hélice.

### **FILTROS DE GRASA**

Los filtros de grasa deberían limpiarse con frecuencia. Use una disolución de agua tibia y detergente para vajilla. Los filtros de grasa se pueden lavar en el lavaplatos. Lave los filtros metálicos en el lavaplatos con un detergente sin fosfato. Los filtros de pueden descolorar si se lavan con detergentes con fosfato o debido a las características del agua local, pero esto no afecta su desempeño. Esta descoloración no está cubierta por la garantía. A fin de reducir al mínimo o prevenir la descoloración, lave los filtros a mano con un detergente suave.

### **FILTROS DE RECIRCULACIÓN**

Los filtros de recirculación deberían cambiarse cada 3 a 6 meses. Sustitúyalo con mayor frecuencia si su tipo de cocina genera más grasa, por ejemplo, si fríe o cocina con wok. Consulte las instrucciones de instalación que vienen con el filtro de recirculación.

### **HÉLICE**

El asa del ventilador se debe limpiar con frecuencia. Use un paño limpio mojado con una solución de detergente tibia.

### **LIMPIEZA DEL ACERO INOXIDABLE**

#### **A hacer:**

- Lávelo regularmente con un trapo limpio empapado con una disolución de agua tibia y jabón suave o detergente para lavar vajillas.
- Limpie siempre en la dirección de las líneas de pulido.
- Enjuague siempre bien con agua limpia (2 o 3 veces) después de limpiar. Séquelo completamente.
- También puede usar un producto limpiador doméstico para acero inoxidable.

#### **A no hacer:**

- Usar lana de acero o de acero inoxidable o un rascador para quitar la suciedad más incrustada.
- Usar productos limpiadores agresivos o abrasivos.
- Dejar que se acumule la suciedad.
- Permitir que el polvo de yeso u otros residuos de construcción entren en contacto con la campana. Durante los trabajos de construcción o renovación, cubra la campana para evitar que el polvo se adhiera a las superficies de acero inoxidable.

**Al elegir un detergente, evite:**

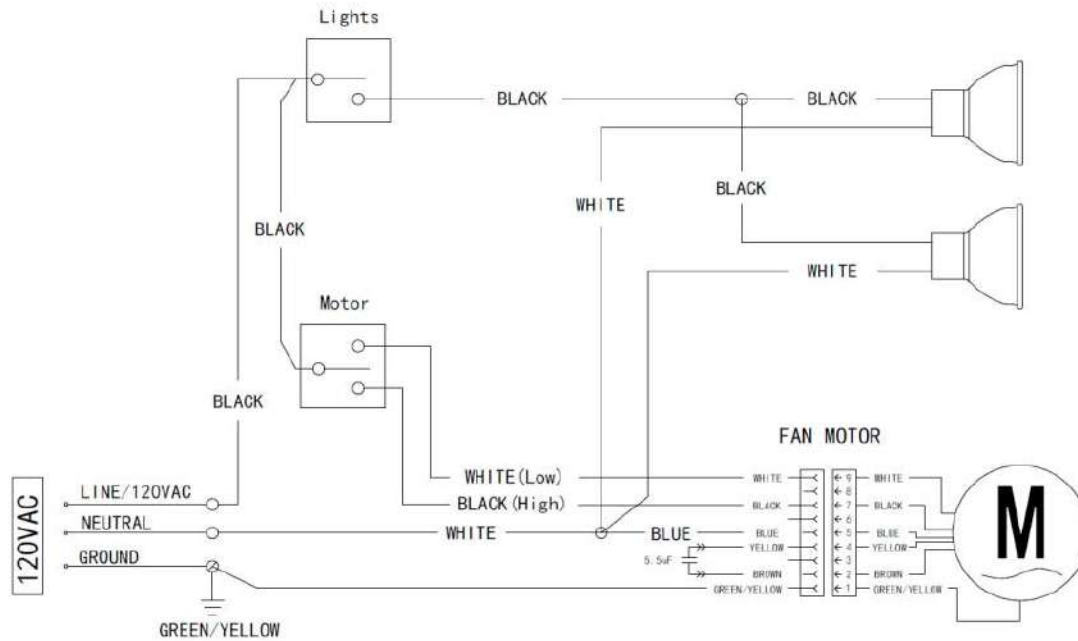
- Los productos limpiadores que contengan blanqueador (lejía) ya que dañarán el acero inoxidable.
- Los productos que contengan: **cloruro, fluoruro, yoduro, bromuro**, ya que deteriorarán las superficies rápidamente.
- Los productos combustibles que se usan para limpiar, tales como: **acetona, alcohol, éter, bencol**, etc., ya que son muy explosivos y no deberían usarse nunca cerca de una cocina.

**LIMPIEZA DE ACABADOS PINTADOS:**

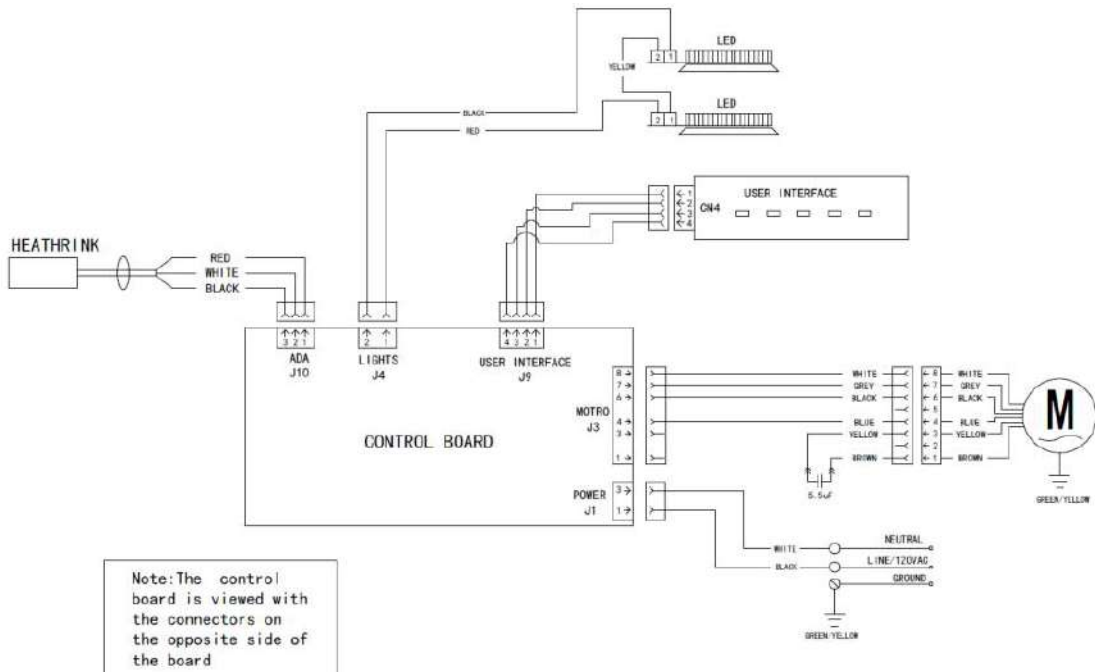
Limpie con agua tibia y un detergente suave únicamente. Si la superficie se descolora, use una cera para acabados, como una cera para automóviles (NO use productos limpiadores duros o abrasivos ni limpiadores para porcelana).

# DIAGRAMAS DE CABLEADOS

Serie GLA1 y MTR1:

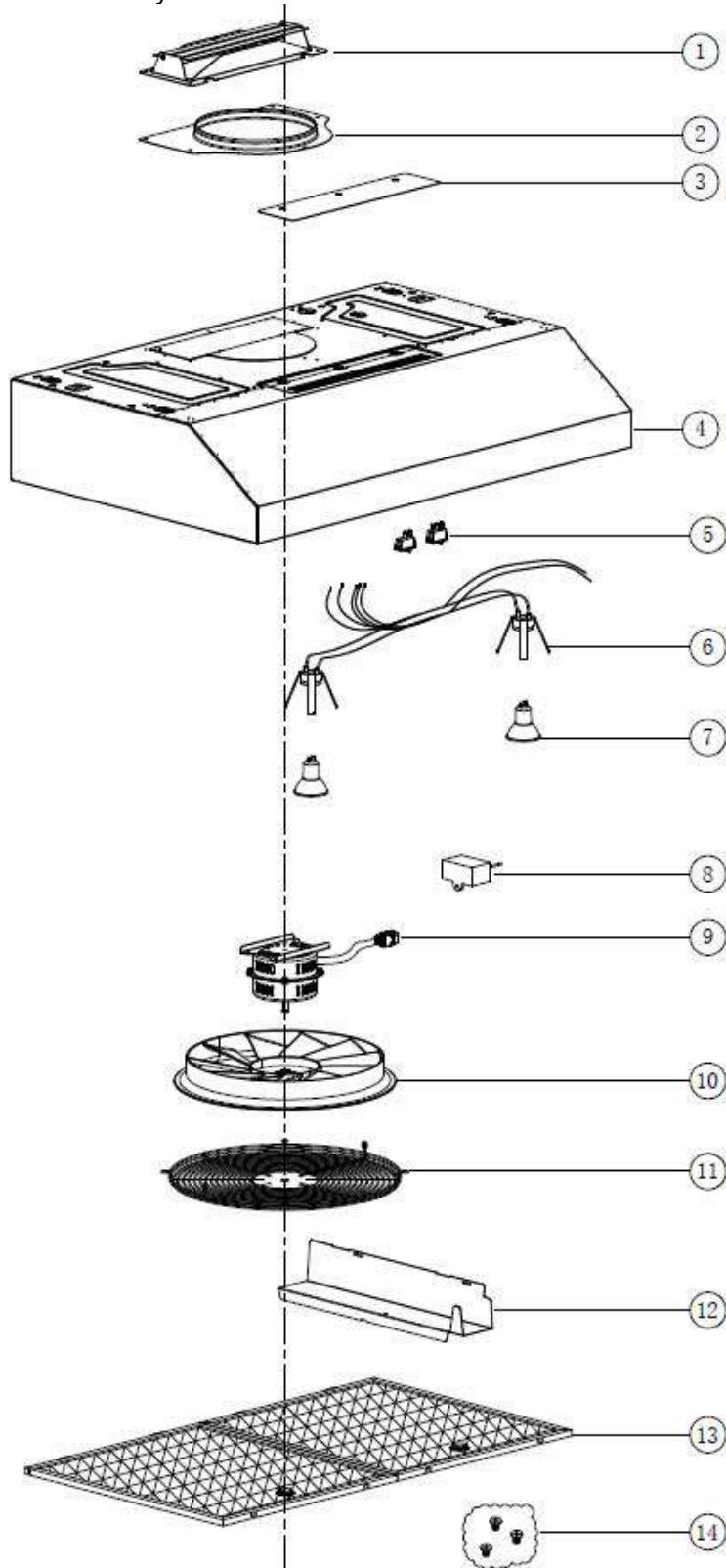


Serie GLA2 y MTR2:



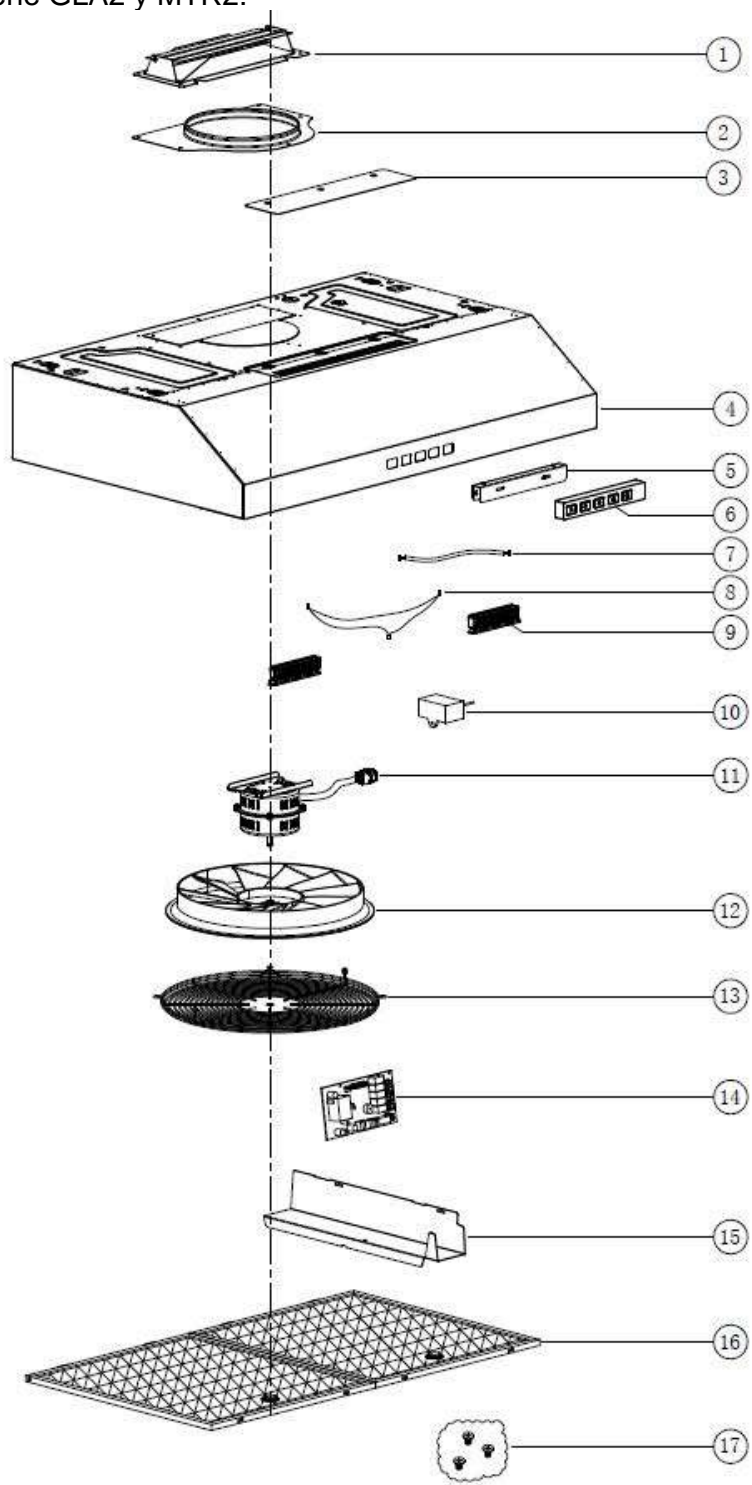
# PIEZAS DE REPUESTO

Serie GLA1 y MTR1:



N.º	Código de la pieza	Descripción	Cant.
1	S97020534	ADAPTADOR/REGULADOR DE 3-1/4" x 10" (INCLUYE TORNILLOS)	1
2	SR680508	ADAPTADOR PARA CONDUCTO REDONDO DE 7" (INCLUYE TORNILLOS)	1
3	S1115687	PLACA DE CUBIERTA DE RECIRCULACIÓN, BLANCA (INCLUYE TORNILLOS)	1
	S1115688	PLACA DE CUBIERTA DE RECIRCULACIÓN, NEGRA (INCLUYE TORNILLOS)	1
	S1115689	PLACA DE CUBIERTA DE RECIRCULACIÓN, ACERO INOX. (INCLUYE TORNILLOS)	1
	S1115690	PLACA DE CUBIERTA DE RECIRCULACIÓN, ACERO INOX. NEGRO (INCLUYE TORNILLOS)	1
5	S99030379	INTERRUPTOR BASCULANTE, GRIS (JUEGO DE 2)	1 juego
	S1115672	INTERRUPTOR BASCULANTE, BLANCO (JUEGO DE 2)	1 juego
	S1115673	INTERRUPTOR BASCULANTE, NEGRO (JUEGO DE 2)	1 juego
6	S1115671	Arnés para el control del interruptor basculante	1 juego
7	S1110531	BOMBILLA LED GU10	2
8	S1115679	CAPACITOR DE 5.5 µF, ÚNICO (INCLUYE TORNILLOS)	1
9	S1115680	VENTILADOR ÚNICO PARA MOTOR (INCLUYE TORNILLOS)	1
10	S1115681	HÉLICE PARA VENTILADOR ÚNICO CON SUJETADOR	1
11	S1115682	PROTECCIÓN PARA VENTILADOR ÚNICO (INCLUYE TORNILLOS)	1
12	S1115683	TAPA DE CABLEADOS PARA VENTILADOR ÚNICO (INCLUYE TORNILLOS)	1
13	S99010434-002	FILTRO DE GRASA - MICROFILTRACIÓN PARA CAMPANA DE 30" (JUEGO DE 2)	1 juego
14	S1115686	BOLSA CON PIEZAS; INCLUYE SOPORTES EZ1	1 juego

Serie GLA2 y MTR2:



N.º	Código de la pieza	Descripción	Cant.
1	S97020534	ADAPTADOR/REGULADOR DE 3-1/4" x 10" (NCLUYE TORNILLOS)	1
2	SR680508	ADAPTADOR PARA CONDUCTO REDONDO DE 7" (NCLUYE TORNILLOS)	1
3	S1115687	PLACA DE LA CUBIERTA DE RECIRCULACIÓN, BLANCA (NCLUYE TORNILLOS)	1
	S1115688	PLACA DE LA CUBIERTA DE RECIRCULACIÓN, NEGRA (NCLUYE TORNILLOS)	1
	S1115689	PLACA DE LA CUBIERTA DE RECIRCULACIÓN, ACERO INOXIDABLE (NCLUYE TORNILLOS)	1
	S1115690	PLACA DE LA CUBIERTA DE RECIRCULACIÓN, ACERO INOXIDABLE, NEGRA (NCLUYE TORNILLOS)	1
5 y 6	S1115676	CONTROL CAPTOUCH, ACERO INOXIDABLE (NCLUYE TORNILLOS)	1
	S1115677	CONTROL CAPTOUCH, BLANCO (NCLUYE TORNILLOS)	1
	S1115678	CONTROL CAPTOUCH, ACERO INOXIDABLE, NEGRO (NCLUYE TORNILLOS)	1
7 y 8	S1115685	JUEGO DE ARNÉS (INC. CONTROL, LUZ Y ARNÉS ELÉCTRICO)	1 juego
9	S97020444	MÓDULO LED (PAR)	1 juego
10	S1115679	CAPACITOR DE 5.5 uF, ÚNICO (INC. HERRAJES)	1
11	S1115680	VENTILADOR ÚNICO PARA MOTOR (INCLUYE TORNILLOS)	1
12	S1115681	HÉLICE PARA VENTILADOR ÚNICO CON SUJETADOR	1
13	S1115682	PROTECCIÓN PARA VENTILADOR ÚNICO (INCLUYE TORNILLOS)	1
15	S1115683	CONTROL CAPTOUCH PARA PCB PRINCIPAL (INCLUYE TORNILLOS)	1
14	S1115675	TAPA DE CABLEADOS PARA VENTILADOR ÚNICO (INCLUYE TORNILLOS)	1
16	S99010434-001	FILTRO DE GRASA - MICROFILTRACIÓN PARA CAMPANA DE 24" (JUEGO DE 2)	1 juego
17	S1115686	BOLSA CON PIEZAS; INCLUYE SOPORTES EZ1	1 juego

#### Garantía limitada

**Periodo y exclusiones de la garantía:** Broan-NuTone LLC o Venmar Ventilation ULC (sea esta la "Compañía") garantiza al consumidor comprador original de su producto ("usted") que el producto (el "Producto") estará libre de defectos en materiales o en mano de obra, por un periodo de un (1) año a partir de la fecha de compra original (o por un periodo mayor según sea requerido por la legislación aplicable). Para las campanas equipadas con módulos LED, la Compañía garantiza que los módulos LED y el controlador de los módulos LED estarán libres de defectos materiales por un periodo de tres (3) años a partir de la fecha de compra original. El periodo de garantía limitada para cualquier pieza de repuesto proporcionada por la compañía y para cualquier Producto reparado o reemplazado bajo esta garantía limitada debe ser lo que reste del periodo de garantía original (o por un periodo mayor según sea requerido por la legislación aplicable).

Esta garantía no cubre arrancadores de lámparas fluorescentes, tubos, bombillas de halógeno e incandescentes, fusibles, filtros, conductos, tapas de techo, tapas de pared ni otros accesorios que pudieran ser comprados por separado e instalados con el producto. Esta garantía tampoco cubre (a) mantenimiento y servicio normal, (b) uso y desgaste normal, (c) Productos o piezas sujetos a mal uso, abuso, uso anormal, negligencia, accidente, mantenimiento inadecuado o insuficiente, almacenamiento o reparación (que no sea reparación por parte de la Compañía), (d) daños causados por instalación defectuosa, o bien instalación o uso contrario a las recomendaciones o instrucciones, (e) cualquier Producto que se haya movido de su punto de instalación original, (f) daños ocasionados por el medio ambiente o los elementos naturales, (g) daños en tránsito, (h) desgaste natural del acabado, (i) Productos en uso comercial o no residencial, o (j) daños ocasionados por incendio, inundación u otro caso fortuito o (k) Productos con un número de serie alterado, removido o mutilado. Esta garantía cubre solamente Productos vendidos a clientes originales en los Estados Unidos y Canadá por la Compañía o a distribuidores de EE. UU. y Canadá autorizados por la Compañía. Esta garantía sustituye todas las garantías anteriores y no es transferible del comprador consumidor original.

Esta garantía sustituye todas las garantías anteriores y no es transferible del comprador consumidor original.

**No hay otras garantías:** Esta garantía limitada contiene la única obligación de la Compañía y su único recurso ante productos defectuosos. Las garantías anteriores son exclusivas y en lugar de cualquier otra garantía, expresa o implícita. LA COMPAÑÍA NIEGA Y EXCLUYE CUALQUIER OTRA GARANTÍA EXPRESA, Y NIEGA Y EXCLUYE TODAS LAS GARANTÍAS IMPLÍCITAS, CONDICIONES Y ESTIPULACIONES IMPLÍCITAS POR LEY, INCLUYENDO, ENTRE OTRAS, LAS DE COMERCIALIZACIÓN Y APTITUD PARA UN PROPÓSITO EN PARTICULAR. Hasta el grado en que la ley aplicable prohíba la exclusión de las garantías implícitas, condiciones y estipulaciones, la duración de cualquier garantía implícita aplicable está limitada al periodo especificado para la garantía expresa antes mencionada. Algunas jurisdicciones no permiten limitaciones en la duración de una garantía implícita, así que la limitación anterior tal vez no aplique en su caso. Cualquier descripción verbal o escrita del Producto es para el único propósito de identificarlo y no deberá considerarse como una garantía expresa.

Siempre que sea posible, toda disposición de esta garantía limitada deberá ser interpretada de tal forma que sea efectiva y válida de conformidad con la ley aplicable, pero si alguna disposición fuera considerada prohibida o inválida, quedará sin efecto solo en virtud de dicha prohibición o invalidez, sin invalidar el resto de dicha disposición o las demás disposiciones restantes de la garantía limitada.

**Recurso:** Durante el periodo de garantía limitada aplicable, la Compañía, a su opción, suministrará piezas de repuesto, o reparará o reemplazará, sin cargo alguno, cualquier Producto o pieza del mismo, hasta el grado en que la Compañía lo encuentre cubierto bajo esta garantía limitada y en cumplimiento de la misma en condiciones normales de uso y servicio. La Compañía le enviará el Producto reparado o reemplazado o las piezas de repuesto sin cargo. Usted es responsable de todos los costos de retiro, reinstalación y envío, seguro u otros cargos de flete incurridos en el envío del Producto o pieza a la Compañía. Si debe enviar el Producto o la pieza a la Compañía, tal como lo indique la Compañía, debe empaquetar adecuadamente el Producto o la pieza: la Compañía no se hace responsable por los daños en tránsito. La Compañía se reserva el derecho de utilizar Productos o piezas reacondicionados, renovados, reparados o refabricados en el proceso de reemplazo o reparación de garantía. Dichos Productos y piezas serán comparables en función y desempeño a un Producto o una pieza original y tendrán garantía durante el resto del periodo de la garantía original (o por un periodo mayor según sea requerido por la legislación aplicable).

La Compañía se reserva el derecho, a su sola discreción, a devolver el dinero que pagó por el Producto en lugar de la reparación o sustitución. Si el producto o componente ya no está disponible o este discontinuado, el reemplazo podrá ser efectuado por un producto similar de igual o mayor valor, a criterio exclusivo de la Compañía. Este es su único y exclusivo recurso por incumplimiento de esta garantía limitada.

**Exclusión de daños:** LA OBLIGACIÓN DE LA COMPAÑÍA DE SUMINISTRAR PIEZAS DE REPUESTO, O DE REPARAR O REEMPLAZAR, A OPCIÓN DE LA COMPAÑÍA, SERÁ SU ÚNICO Y EXCLUSIVO RECURSO BAJO ESTA GARANTÍA LIMITADA, Y LA ÚNICA Y EXCLUSIVA OBLIGACIÓN DE LA COMPAÑÍA. LA COMPAÑÍA NO SERÁ RESPONSABLE POR DAÑOS INCIDENTALES, INDIRECTOS, RESULTANTES O ESPECIALES QUE SURJAN POR EL USO O DESEMPEÑO DEL PRODUCTO, O EN RELACIÓN CON EL MISMO. Los daños incidentales incluyen, pero no se limitan a daños tales como pérdida de uso. Los daños consecuentes incluyen, pero no se limitan a los gastos de reparación o sustitución de otra propiedad que fue dañada si el Producto no funcionase apropiadamente.

LA COMPAÑÍA NO SERÁ RESPONSABLE ANTE USTED, NI NINGÚN DERECHOHABIENTE, DE CUALQUIER OTRA OBLIGACIÓN O RESPONSABILIDAD INCLUYENDO, PERO NO LIMITADO A, OBLIGACIONES O RESPONSABILIDADES DERIVADAS DEL INCUMPLIMIENTO DE CONTRATO O GARANTÍA, NEGLIGENCIA U OTRO AGRAVIO O CUALQUIER TEORÍA DE RESPONSABILIDAD OBJETIVA, CON RESPECTO AL PRODUCTO O ACTOS U OMISIONES DE LA COMPAÑÍA DE CUALQUIER OTRA FORMA.

Algunas jurisdicciones no permiten la exclusión o limitación de daños incidentales o resultantes, por lo que la limitación antes mencionada podría no aplicarse a usted. Esta garantía le otorga derechos legales específicos, y usted podría tener otros derechos que varían de jurisdicción a jurisdicción. Las aclaraciones, exclusiones y limitaciones de responsabilidad bajo esta garantía no aplicarán en la medida que lo prohiban las leyes aplicables.

Esta garantía cubre únicamente el reemplazo o la reparación de Productos defectuosos o piezas de los mismos en la planta principal de la Compañía, y no incluye el costo del viaje para el servicio de campo ni los viáticos.

Cualquier asistencia que proporcione o procure la Compañía para usted fuera de los términos, limitaciones o exclusiones de esta garantía limitada no constituirá una renuncia a dichos términos, limitaciones o exclusiones, ni dicha asistencia extenderá o renovará la garantía.

La Compañía no le reembolsará ningún gasto en el que usted haya incurrido al reparar o reemplazar cualquier Producto defectuoso, excepto los incurridos con el permiso previo por escrito de la Compañía.

**Cómo obtener el servicio cubierto por la garantía:** Para tener derecho al servicio cubierto por la garantía, usted debe (a) notificar a la Compañía a la dirección o número de teléfono que aparecen abajo en un plazo de siete (7) días después de descubrir el defecto cubierto, (b) proporcionar el número de modelo y la identificación de la pieza y (c) describir la naturaleza de cualquier defecto en el Producto o la pieza. En el momento de solicitar el servicio cubierto por la garantía, debe presentar un comprobante de la fecha de compra original. Si usted no puede presentar una copia de la garantía limitada original por escrito, entonces regístran los términos de la garantía limitada por escrito más actualizada de la compañía para su producto en particular. Las garantías limitadas por escrito más actualizadas para los productos de la Compañía se pueden encontrar en [www.broan-nutone.com](http://www.broan-nutone.com) y [www.broan-nutone.ca](http://www.broan-nutone.ca)

Broan-NuTone LLC 926 West State Street, Hartford, Wisconsin, USA 53027 Broan-NuTone.com 800-558-1711

Venmar Ventilation ULC, 550 Lemire Blvd., Drummondville, Québec, Canada J2C 7W9 Broan-NuTone.ca 800-567-3855