



INSTALLATION MANUAL

CERAMIC-GLASS RADIANT COOKTOP

Read this installation manual thoroughly before installing the appliance and keep it handy for reference at all times.

ENGLISH

CBED2415B



MFL72083401
Rev.01_041624

www.lg.com

Copyright © 2023-2024 LG Electronics Inc. All Rights Reserved.

2

TABLE OF CONTENTS

3 IMPORTANT SAFETY INSTRUCTIONS

- 3 READ ALL INSTRUCTIONS BEFORE USE
- 3 WARNING STATEMENTS

4 INSTALLATION

- 4 Before Installing
- 7 Installing the Cooktop

11 APPENDIX

- 11 Checking Operation

IMPORTANT SAFETY INSTRUCTIONS

READ ALL INSTRUCTIONS BEFORE USE

Safety Messages

Your safety and the safety of others are very important.

We have provided many important safety messages in this manual and on your appliance. Always read and follow all safety messages.



This is the safety alert symbol.

This symbol alerts you to potential hazards that can kill or injure you and others. All safety messages will follow the safety alert symbol and either the word **WARNING** or **CAUTION**.

These words mean:



WARNING

You may be killed or seriously injured if you do not follow instructions.



CAUTION

You may be injured or cause damage to the product if you do not follow instructions.

All safety messages will tell you what the potential hazard is, tell you how to reduce the chance of injury, and tell you what may happen if the instructions are not followed.

WARNING STATEMENTS

WARNING

- To reduce the risk of explosion, fire, death, electric shock, scalding or injury to persons when using this product, follow basic precautions, including the following:

Installation

- Be sure your appliance is properly installed and grounded by a qualified technician in accordance with the National Electrical Code ANSI/NFPA No. 70, latest edition in the United States, and all local code requirements. Install only per installation instructions.
- The safety aspects of this appliance comply with accepted technical standards.
- Never modify or alter the construction of an appliance such as removal of panels, wire covers or any other permanent part of the product.
- Remove all tape and packaging wrap before using the appliance. Destroy the carton and plastic bags after unpacking the appliance. Never allow children to play with packaging material.
- The installation and connection of the new appliance must only be carried out by qualified personnel.

SAVE THESE INSTRUCTIONS

4 INSTALLATION

INSTALLATION

Before Installing

Before You Begin

Installation and service must be performed by a qualified installer.

Important: Save these instructions for the local electrical inspector's use. Read and save these instructions for future reference.

Read these instructions completely and carefully.

CAUTION

- If storage is located under the cooktop, do not use it to store flammable or heat-sensitive items such as detergents, aerosols, cleaners, water, food, or plastics.

NOTE

Installer:

- Read all installation instructions before installing the cooktop.
- Remove all packing material before connecting the electrical supply to the cooktop.
- Observe all governing codes and ordinances.
- Only certain cooktop models may be installed over certain built-in electric oven models.
- Be sure to leave these instructions with the consumer.

NOTE

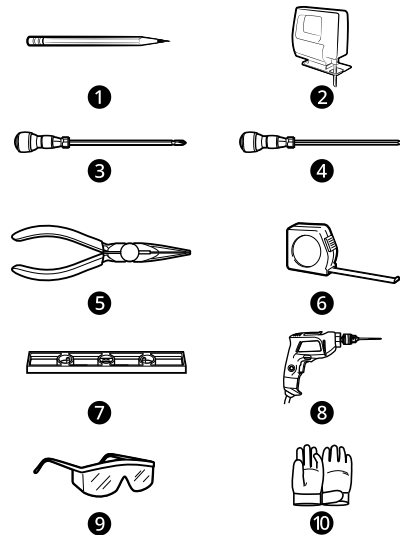
Consumer:

- Keep the owner's manual and installation instructions for future reference.

NOTE

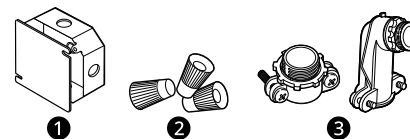
- This appliance must be properly grounded.
- Damage caused by failure to follow these instructions is not covered by the cooktop warranty.

Tools Needed



- 1 Pencil
- 2 Saber Saw
- 3 Phillips Screwdriver
- 4 Flat-Blade Screwdriver
- 5 Pliers
- 6 Tape Measure
- 7 Level
- 8 Drill
- 9 Safety Glasses
- 10 Gloves

Parts not Provided



- 1 Junction Box
- 2 Wire Nuts
- 3 Strain Relief (Conduit Connector)

Unpacking the Cooktop

- 1 Unpack and visually inspect the cooktop for any damage or missing components.

Model and Serial Number Location

The model and serial numbers are located on a plate on the bottom of the cooktop. Please record them in this guide; you will need them for warranty registration.

ENGLISH

Technical Specifications

Models		CBED2415B		
Description		Radiant Cooktop		
Electrical Specifications	Connection voltage	240/208 VAC 60 Hz., 14.6 A/12.5 A		
	Maximum connected power load	3500 W/2600 W		
Cooktop Dimensions		23 5/8" (600 mm) (W) x 3 3/8" (86 mm) (H) x 20 7/16" (520 mm) (D)		
Countertop Cutout Dimensions		22" - 22 1/8" (558 mm - 562 mm) (W) x 18 13/16" - 19" (478 mm - 482 mm) (D)		
Cooking Zones		Position	Size	Power
		Left Front	5"/8" (127 mm/203 mm)	1000 W/2000 W
		Left Rear	7" (178 mm)	1500 W
		Right Rear	6" (152 mm)	1200 W
		Right Front	6" (152 mm)	1200 W

NOTE

- The maximum power of each cooking zone depends on the size and material of the cookware used.

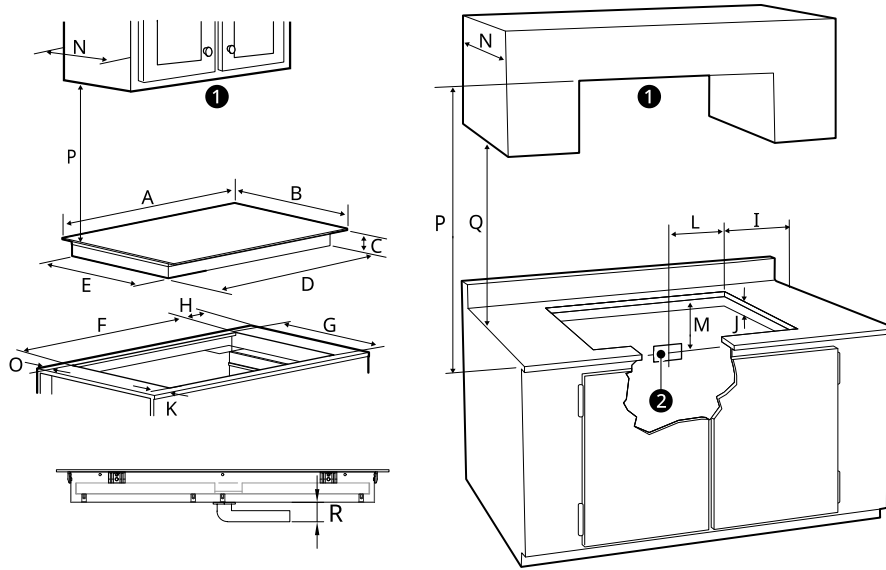
6 INSTALLATION

Preparing the Installation Location

Important Installation Information

- All electric cooktops run off a single phase, three-wire or four-wire cable, 240/208 volt, 60 hertz, AC-only electrical supply with ground.
- Minimum distance between cooktop and overhead cabinetry is 30" (762 mm).
- Make sure the cabinets and wall coverings around the cooktop can withstand the temperatures (up to 90 °C [194 °F]) generated by the cooktop.

Dimensions and Clearances



- ❶ Do not obstruct these areas.
- ❷ Approximate location of junction box

-	Dimension/Clearance	CBED2415B
A	Width of upper plate	23 5/8" (600 mm)
B	Depth of upper plate	20 7/16" (520 mm)
C	Height of cooktop base	2 3/16" (56 mm)
D	Width of cooktop base	21 9/16" (548 mm)
E	Depth of cooktop base	18 7/16" (468 mm)
F	Width of cutout	22" - 22 1/8" (558 mm - 562 mm)
G	Depth of cutout	18 13/16" - 19" (478 mm - 482 mm)
H	Distance from side edge of cutout to side of counter	≥ 1" (26 mm)
I	Distance from edge of cooktop to nearest combustible wall (either side of unit)	1" (26 mm)

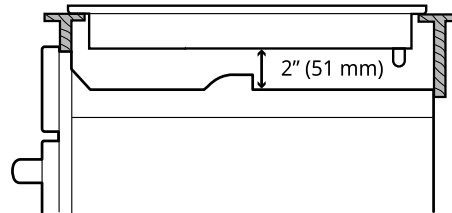
-	Dimension/Clearance	CBED2415B
J	Height below cutout (Empty space is needed underneath the cooktop for installation purposes.)	≥ 4 3/16" (107 mm)
K	Distance from front of counter to front edge of cutout	≥ 1 1/2" (38 mm)
L	Junction box (approximate location)	≤ 10" (254 mm)
M	Junction box (approximate location)	≥ 15" (381 mm)
N	Depth of overhead cabinets	≤ 13" (330 mm)
O	Cut area and backwall of cooktop	≥ 1 1/8" (28 mm)
P	Clearance from top of cooking surface to bottom of overhead cabinets	≥ 30" (762 mm)
Q	Clearance from countertop to bottom of adjacent cabinets	≥ 18" (457 mm)
R	Height of conduit	1" (26 mm)

All dimensions are stated in inches and millimeters (mm).

Allow 2" (50 mm) below the armored cable opening to clear the electric cable and allow space for installation of the junction box on the wall at the back of the cooktop.

CAUTION

- To eliminate the risk of burns or fire by reaching over heated surfaces, cabinet storage space located above the cooktop should be avoided. If cabinet storage is provided, risk can be reduced by installing a range hood that projects horizontally a minimum of 5" (127 mm) beyond the face of the cabinets.
- It is very important to keep 2" (51 mm) distance between the cooktop and an oven installed below it.



Installing the Cooktop

Electrical Connections

Important Safety Instructions

- Be sure the cooktop is installed and grounded properly by a qualified installer or service technician.
- This cooktop must be electrically grounded in accordance with local codes or, in their absence, with the National Electrical Code ANSI/NFPA No. 70, latest edition in the United States.

WARNING

- The electrical power to the cooktop must be shut off while line connections are being made. Failure to do so could result in serious injury or death.

Providing the Electrical Connection

- Install the junction box under the cabinet and run 120/240 or 120/208 Volt, AC wire from the main circuit panel.

8 INSTALLATION

NOTE

- DO NOT connect the wire to the circuit panel at this time.

Electrical Requirements

Observe all governing codes and local ordinances

- 1 A 3-wire or 4-wire single-phase 120/240 or 120/208 Volt, 60 Hz AC-only electrical supply is required on a separate circuit fused on both sides of the line (time-delay fuse or circuit breaker is recommended). DO NOT fuse neutral. The fuse size must not exceed the circuit rating of the appliance specified on the nameplate.
- 2 This appliance can consume up to 3500 W at 240 VAC. At least 30 Amp circuit breaker with #8 AWG must be used.

⚠ WARNING

- Do not use an extension cord with this appliance. Doing so may result in a fire, electrical shock, or other personal injury.

NOTE

- Wire sizes and connections must conform to the fuse size and rating of the appliance in accordance with the National Electrical Code ANSI/NFPA No. 70, latest edition, and local codes and ordinances.

- 3 The appliance should be connected to the fused disconnect (or circuit breaker) box through flexible armored or nonmetallic sheathed cable. The flexible armored cable extending from this appliance should be connected directly to the grounded junction box. The junction box should be located as shown in **Dimensions and Clearances** with as much slack as possible remaining in the cable between the box and the appliance, so it can be moved if servicing is ever necessary.
- 4 A suitable strain relief must be provided to attach the flexible armored cable to the junction box.

Electrical Connection

Connect the flexible armored cable that extends from the surface unit to the junction box using a suitable strain relief at the point the armored cable enters the junction box. Then make the electrical connection as follows.

Electrical ground is required on this appliance.

This appliance is manufactured with a supply wire and a frame-connected green or bare copper grounding wire.

NOTE

TO ELECTRICIAN:

- The armored cable leads supplied with the appliance are UL-listed for connection to larger gauge household wiring. The insulation of the leads is rated at temperatures much higher than the temperature rating of household wiring. The current-carrying capacity of the conductor wire is governed by the temperature rating of the insulation around the wire, rather than the wire gauge alone.

⚠ WARNING

- DO NOT ground to a gas supply pipe. DO NOT connect to electrical power supply until appliance is permanently grounded. Connect the ground wire before turning on the power.
- This appliance is equipped with a copper conductor flexible cable. If connection is made to aluminum house wiring, use only special connectors which are approved for joining copper and aluminum wires in accordance with the National Electrical Code and local codes and ordinances. Improper connection of aluminum house wiring to copper leads can result in a short circuit or fire. Follow the connector manufacturer's recommended procedure closely.

Where Local Codes Permit Connecting the Appliance-Grounding Conductor to the Neutral (White) Wire

Observe all governing codes and local ordinances.

- 1 Disconnect the power supply.
- 2 At the circuit breaker box, fuse box or junction box, connect appliance and power supply cable wires as shown.

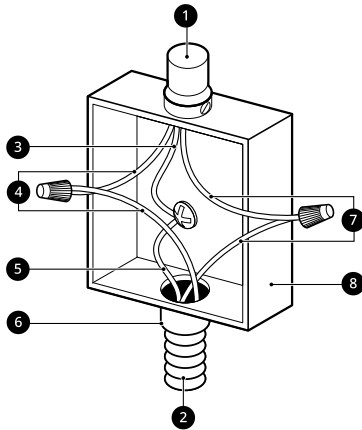
⚠ WARNING

- You may not ground the cooktop through the neutral (white) wire if cooktop is used in a new branch circuit installation (1996 NEC), mobile home, recreational vehicle, or where local codes do not permit grounding to the neutral (white) wire. When grounding to the neutral (white) wire is prohibited, you must use a 4-wire power supply cable. Failure to heed this warning may result in electrocution or other serious personal injury.

⚠ WARNING

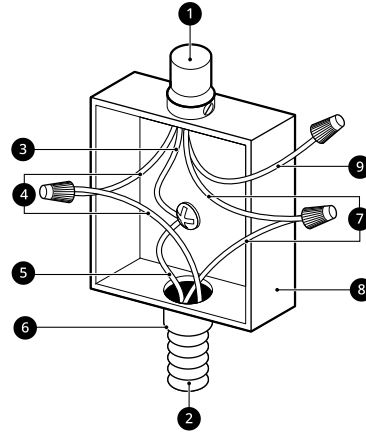
- If connecting to a 4-wire power supply cable electrical system, the appliance frame connected ground wire **MUST NOT** be connected to the neutral wire of the 4-wire electrical system.

3-Wire Grounded Junction Box



- 1 Cable from Power Supply
- 2 Cable from Cooktop
- 3 White Wire (Neutral)
- 4 Red Wires
- 5 Green Wire (Ground)
- 6 UL-listed Conduit Connector
- 7 Black Wires
- 8 Junction Box

4-Wire Grounded Junction Box



- 1 Cable from Power Supply
- 2 Cable from Cooktop
- 3 Ground Wire
- 4 Red Wires
- 5 Green Wire (Ground)
- 6 UL-listed Conduit Connector
- 7 Black Wires
- 8 Junction Box
- 9 White Wire (No Connection)

If Cooktop is Used in a New Branch Circuit Installation (1996 NEC), Mobile Home, Recreational Vehicle, or where Local Codes Do Not Permit Grounding to the Neutral (White) Wire

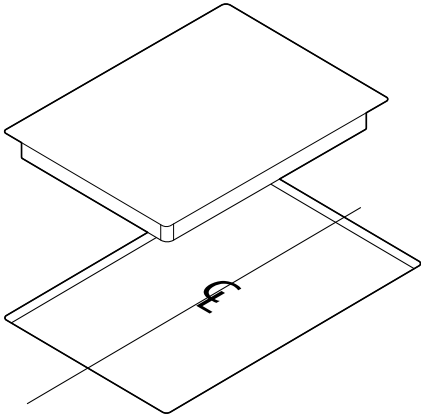
Observe all governing codes and local ordinances.

- 1 Disconnect the power supply.
- 2 At the circuit breaker box, fuse box or junction box, connect appliance and power supply cable wires as shown.

Installing the Cooktop Unit

- 1 Visually inspect the cooktop for damage.
- 2 Check and prepare the installation location.
 - See **Dimensions and Clearances**.
- 3 Carefully lower the cooktop into the countertop cutout, making sure not to trap any wires.

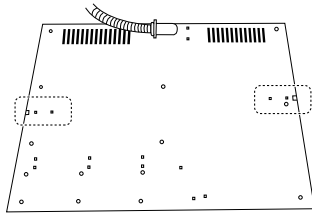
10 INSTALLATION



NOTE

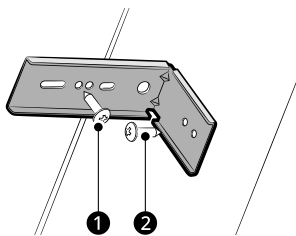
- Do not use caulking compound. The cooktop must be removable, should service be required.

- 4 On the bottom of the cooktop, find the holes where the bracket guides attach. (Refer to the figure.)



- 5 Align a bracket guide with the hole, and then move it towards the sidewall of the cabinet until it touches the sidewall.

- 6 Use the screws to fasten the bracket guide to the cooktop and the sidewall. Repeat with the second bracket guide.



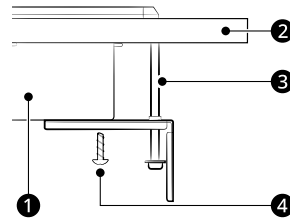
- ① M4L10 Screw
- ② M4L16 Screw

NOTE

- Make sure you attach the bracket guides on the left and right sides.
- Make sure that the front edge of the cooktop is parallel to the front edge of the countertop. If repositioning is needed, lift the entire cooktop up from the cutout to avoid scratching the countertop.

Alternative Bracket Guide Installation

- 1 Screw the bracket guides loosely to the bottom of the cooktop and adjust them to the desired positions.
- 2 Once the brackets are adjusted, tighten the screws to attach the bracket guides securely to the bottom of the cooktop.
- 3 Install M4L75 screws until the screws touch the bottom of the countertop.



- ① Cooktop
- ② Countertop
- ③ M4L75 Screw
- ④ M4L10 Screw

APPENDIX

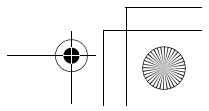
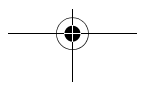
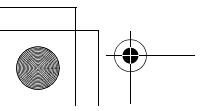
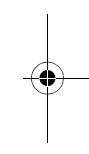
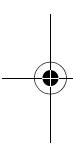
Checking Operation

Final Check

Perform a final operational check of the cooktop, making sure the cooktop powers on properly and that each cooking zone operates correctly. Refer to the Operating Instructions in the owner's manual for details.



12 Memo





MANUAL DE INSTALACIÓN

ESTUFA DE VIDRIO

CERÁMICO RADIANTE

Lea detenidamente el manual de instalación antes de instalar el aparato y consérvelo a mano en todo momento para su referencia.

ESPAÑOL

CBED2415B

www.lg.com

Copyright © 2023-2024 LG Electronics Inc. Todos los derechos reservados

2

ÍNDICE

3 INSTRUCCIONES IMPORTANTES DE SEGURIDAD

- 3 LEA TODAS LAS INSTRUCCIONES ANTES DE UTILIZAR
- 3 DECLARACIÓN DE ADVERTENCIA

4 INSTALACIÓN

- 4 Antes de la instalación
- 7 Instalación de la placa de cocción

12 APÉNDICE

- 12 Comprobación del funcionamiento

INSTRUCCIONES IMPORTANTES DE SEGURIDAD

LEA TODAS LAS INSTRUCCIONES ANTES DE UTILIZAR

ESPAÑOL

Mensajes de seguridad

Su seguridad y la de los demás son muy importantes.

Tanto en este manual como en el equipo, hemos proporcionado muchos mensajes de seguridad importantes. Siempre debe leer y respetar todos los mensajes de seguridad.



Este es el símbolo de alerta de seguridad.

Este símbolo le advierte sobre posibles riesgos que pueden ocasionar lesiones o la muerte a usted o a otros. El símbolo de alerta de seguridad siempre estará acompañado de las palabras "ADVERTENCIA" o "PRECAUCIÓN" y seguido de un mensaje de seguridad importante.

Estos términos significan lo siguiente:



ADVERTENCIA

El incumplimiento de las instrucciones podría causarle la muerte o lesiones graves.



PRECAUCIÓN

El incumplimiento de las instrucciones podría causarle lesiones o daños al producto.

Todos los mensajes de seguridad le indicarán cuáles son los peligros potenciales, cómo reducir la posibilidad de lesiones y qué podría suceder si no sigue las instrucciones.

DECLARACIÓN DE ADVERTENCIA



ADVERTENCIA

- Para disminuir el riesgo de explosión, incendio, muerte, descarga eléctrica, quemaduras o lesiones en las personas que usen este artefacto, siga las precauciones básicas, incluidas las siguientes:

Instalación

- Asegúrese de que un técnico calificado instale y conecte a tierra correctamente su electrodoméstico de acuerdo con la última edición del Código Eléctrico Nacional ANSI / NFPA No. 70 en los Estados Unidos y con todos los requisitos del código local. Instalar solo de acuerdo con las instrucciones de instalación.
- Los aspectos de seguridad de este electrodoméstico cumplen con las normas técnicas aceptadas.
- Nunca modifique ni altere la construcción de un electrodoméstico: no extraiga los paneles, las cubiertas de los cables ni ninguna otra parte permanente del producto.
- Retire toda la cinta adhesiva y la envoltura del embalaje antes de utilizar el electrodoméstico. Destruya el cartón y las bolsas de plástico después de desembalar el electrodoméstico. Nunca permita que los niños jueguen con el material de embalaje.
- La instalación y la conexión del nuevo electrodoméstico solo debe realizarlas personal calificado.

GUARDE ESTAS INSTRUCCIONES

4 INSTALACIÓN

INSTALACIÓN

Antes de la instalación

Antes de comenzar

La instalación y el servicio deben ser realizados por un instalador calificado.

Importante: guarde estas instrucciones para el uso del inspector eléctrico local. Lea y guarde estas instrucciones para futuras consultas.

Lea todas estas instrucciones cuidadosamente.

⚠ PRECAUCIÓN

- Si hay lugar de almacenamiento debajo de la placa de cocción, no lo use para guardar artículos inflamables o sensibles al calor, como detergentes, aerosoles, limpiadores, agua, alimentos o plásticos.

NOTA

Instalador:

- Lea todas las instrucciones de instalación antes de instalar la placa de cocción.
- Retire todo el material de embalaje antes de conectar el suministro eléctrico a la placa de cocción.
- Cumpla todos los códigos y ordenanzas vigentes.
- Solo se pueden instalar ciertos modelos de placas de cocción sobre algunos modelos de hornos eléctricos incorporados.
- Asegúrese de dejar estas instrucciones al usuario.

NOTA

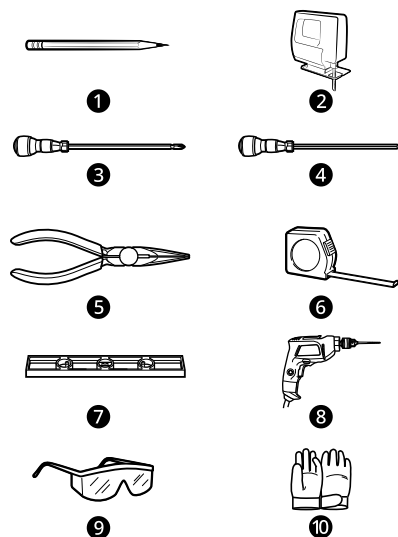
Usuario:

- Guarde el manual del propietario, así como las instrucciones de instalación para futuras consultas.

NOTA

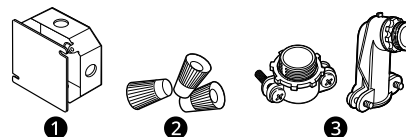
- Este electrodoméstico debe estar conectado a tierra de manera adecuada.
- Los daños causados por el incumplimiento de estas instrucciones no están cubiertos por la garantía de la placa de cocción.

Herramientas necesarias



- 1 Lápiz
- 2 Sierra caladora
- 3 Destornillador Phillips
- 4 Destornillador de hoja plana
- 5 Pinzas
- 6 Cinta medidora
- 7 Nivel
- 8 Taladro
- 9 Gafas de seguridad
- 10 Guantes

Piezas no incluidas



- 1 Caja de conexiones
- 2 Tuercas para cables
- 3 Alivio de tensión (Conector de conducto)

Desembalaje de la placa de cocción

- 1 Desembale e inspeccione visualmente la placa de cocción en busca de daños o componentes faltantes.

Ubicación del modelo y número de serie

El modelo y los números de serie se encuentran en una placa que se encuentra en la parte inferior de la placa de cocción. Escríbalos en esta guía; los necesitará para registrar la garantía.

ESPAÑOL

Especificaciones técnicas

Modelos		CBED2415B		
Descripción		Placa de cocción radiante		
Especificaciones eléctricas	Voltaje de conexión	240/208 VCA 60 Hz., 14.6 A/12.5 A		
	Carga máxima de energía conectada	3500 W/2600 W		
Dimensiones de la placa de cocción		23 5/8" (600 mm) (Ancho) x 3 3/8" (86 mm) (Alto) x 20 7/16" (520 mm) (Profundidad)		
Dimensiones del recorte del mostrador		22" - 22 1/8" (558 mm - 562 mm) (Ancho) x 18 13/16" - 19" (478 mm - 482 mm) (Profundidad)		
Zonas de cocción		Posición	Tamaño	Power (Encendido)
		Delantera izquierda	5" / 8" (127 mm / 203 mm)	1000 W / 2000 W
		Trasera izquierda	7" (178 mm)	1500 W
		Trasera derecha	6" (152 mm)	1200 W
		Delantera derecha	6" (152 mm)	1200 W

NOTA

- La potencia máxima de cada zona de cocción depende del tamaño y el material de los utensilios de cocina utilizados.

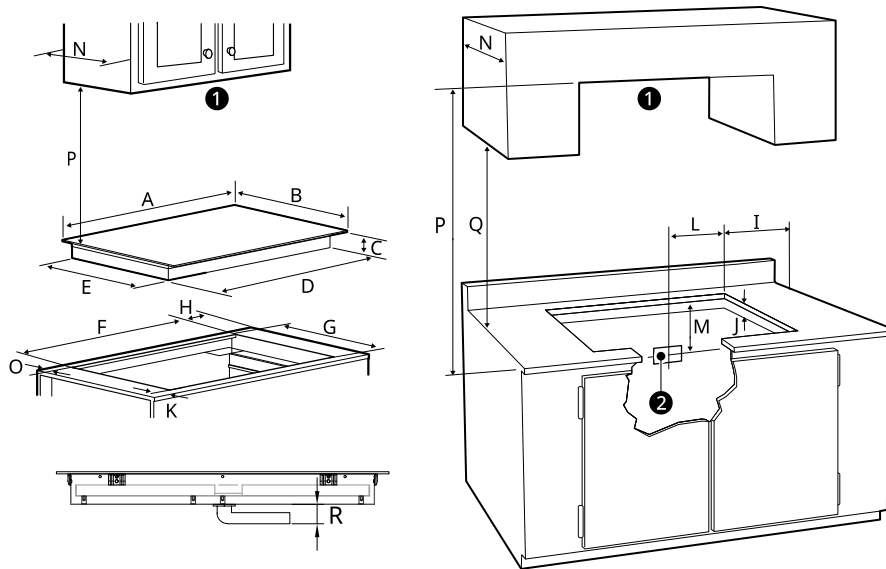
6 INSTALACIÓN

Preparación del sitio para la instalación

Información importante sobre la instalación

- Todas las placas de cocción eléctricas funcionan con suministro eléctrico solo de CA de 240/208 voltios, 60 hercios, mediante un cable monofásico, de tres o cuatro hilos, con descarga a tierra.
- La distancia mínima entre la placa de cocción y los gabinetes superiores es de 30" (762 mm).
- Asegúrese de que los gabinetes y los revestimientos de paredes alrededor de la placa de cocción puedan resistir las temperaturas (hasta 90 °C [194 °F]) generadas por la placa de cocción.

Dimensiones y Espacios



- ❶ No obstruir estas áreas.
- ❷ Ubicación aproximada de la caja de conexiones

-	Dimensión/Espacio	CBED2415B
A	Ancho de la placa superior	23 5/8" (600 mm)
B	Profundidad de la placa superior	20 7/16" (520 mm)
C	Altura de la base de la placa de cocción	2 3/16" (56 mm)
D	Ancho de la base de la placa de cocción	21 9/16" (548 mm)
E	Profundidad de la base de la placa de cocción	18 7/16" (468 mm)
F	Ancho de corte	22" - 22 1/8" (558 mm - 562 mm)
G	Profundidad de corte	18 13/16" - 19" (478 mm - 482 mm)
H	Distancia desde el borde lateral del recorte hasta el lado del mostrador	≥ 1" (26 mm)
I	Distancia desde el borde de la placa de cocción hasta la pared combustible más cercana (a ambos lados de la unidad)	1" (26 mm)

-	Dimensión/Espacio	CBED2415B
J	Altura por debajo del recorte (Se necesita espacio vacío debajo de la placa de cocción para la instalación).	$\geq 4 \frac{3}{16}$ " (107 mm)
K	Distancia desde el frente del mostrador hasta el borde frontal del recorte	$\geq 1 \frac{1}{2}$ " (38 mm)
L	Caja de conexiones (ubicación aproximada)	≤ 10 " (254 mm)
M	Caja de conexiones (ubicación aproximada)	≥ 15 " (381 mm)
N	Profundidad de los gabinetes superiores	≤ 13 " (330 mm)
O	Área de corte y pared posterior de la placa de cocción	$\geq 1 \frac{1}{8}$ " (28 mm)
P	Espacio libre desde la parte superior de la superficie de cocción hasta la parte inferior de los gabinetes superiores	≥ 30 " (762 mm)
Q	Espacio libre desde el mostrador hasta la parte inferior de los gabinetes adyacentes	≥ 18 " (457 mm)
R	Altura del conducto	1" (26 mm)

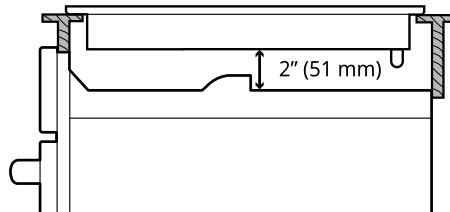
ESPAÑOL

Todas las dimensiones están expresadas en pulgadas y milímetros (mm).

Deje 2" (50 mm) debajo de la abertura del cable blindado para despejar el cable eléctrico y deje espacio para la instalación de la caja de conexiones en la pared en la parte posterior de la placa de cocción.

⚠ PRECAUCIÓN

- Para eliminar el riesgo de quemaduras o incendio al estirarse sobre las superficies calientes, se debe evitar poner un espacio de almacenamiento en gabinetes ubicado sobre la placa de cocción. Si habrá almacenamiento en gabinetes, el riesgo se puede reducir instalando una campana extractora sobre la cocina, que se proyecte hacia adelante 5" (127mm) como mínimo al frente de los gabinetes.
- Es muy importante mantener una distancia de 2" (51 mm) entre la placa de cocción y un horno instalado debajo de ella.



Instalación de la placa de cocción

Conexiones eléctricas

Instrucciones importantes de seguridad

- Asegúrese de que su placa de cocción esté instalada correctamente y con la conexión a

tierra adecuada, a cargo de un instalador o técnico de mantenimiento calificado.

- Esta placa de cocción debe estar conectada a tierra eléctricamente de acuerdo con los códigos locales o, en su ausencia, con la última edición del Código Eléctrico Nacional ANSI/NFPA No. 70 de los Estados Unidos.

8 INSTALACIÓN

⚠ ADVERTENCIA

- La energía eléctrica a la placa de cocción debe apagarse mientras se realizan las conexiones de línea. De lo contrario, podría resultar en lesiones graves o la muerte.

Instalación de la conexión eléctrica

- Instale la caja de conexiones debajo del gabinete y pase el cable de CA de 120/240 o 120/208 voltios desde el panel de circuito principal.

NOTA

- NO conecte el cable al panel de circuitos en este momento.

Requisitos eléctricos

Cumpla todos los códigos y las ordenanzas locales vigentes

- 1 Se requiere un suministro eléctrico monofásico de 3 o 4 hilos de 120/240 o 120/208 voltios, solo de CA de 60 Hz en un circuito separado con fusibles a ambos lados de la línea (se recomienda un fusible con retardo o un disyuntor). NO conecte los fusibles al neutro. El tamaño del fusible no debe exceder la clasificación del circuito del electrodoméstico especificado en la placa de especificaciones técnicas.

- 2 Este electrodoméstico puede consumir hasta 3500 W a 240 VCA. Se debe utilizar un disyuntor de al menos 30 amperios del N.º 8 AWG.

⚠ ADVERTENCIA

- No utilice un cable de extensión con este electrodoméstico. De lo contrario, puede provocar un incendio, descarga eléctrica u otra lesión personal.

NOTA

- El tamaño de los cables y las conexiones debe ajustarse al tamaño y la clasificación de los fusibles del electrodoméstico de acuerdo con la última edición del Código Eléctrico Nacional ANSI/NFPA No. 70, y los códigos y las ordenanzas locales.

- 3 El electrodoméstico debe conectarse a la caja de desconexión (o disyuntor) con fusibles a través de un cable flexible blindado o con funda no metálica. El cable blindado flexible que se extiende desde este electrodoméstico debe conectarse directamente a la caja de conexiones a tierra. La caja de conexiones debe ubicarse como se muestra en **Dimensiones y Espacios** con la mayor holgura posible en el cable entre la caja y el electrodoméstico, de modo que pueda moverse si alguna vez es necesario realizar reparaciones.

- 4 Se debe proporcionar un alivio de tensión adecuado para conectar el cable blindado flexible a la caja de conexiones.

Conexión eléctrica

Conecte el cable blindado flexible que se extiende desde la unidad de superficie hasta la caja de conexiones utilizando un prensacables adecuado en el punto en que el cable blindado ingresa en la caja de conexiones. A continuación, realice la conexión eléctrica como se indica a continuación.

Se requiere una conexión eléctrica a tierra en este electrodoméstico.

Este electrodoméstico se fabrica con un cable de alimentación y un cable de conexión a tierra de cobre verde o desnudo conectado al marco.

NOTA

PARA EL ELECTRICISTA:

- Los cables blindados suministrados con el electrodoméstico están homologados por UL para su conexión al cableado doméstico de mayor calibre. El aislamiento de los conductores se clasifica a temperaturas mucho más altas que la clasificación de temperatura del cableado doméstico. La capacidad de conducción de corriente del cable conductor se rige por la clasificación de temperatura del aislamiento alrededor del cable, y no solo por el calibre del cable.

⚠ ADVERTENCIA

- NO conecte a tierra a una tubería de suministro de gas. NO conecte a la fuente de alimentación eléctrica hasta que el electrodoméstico esté permanentemente conectado a tierra. Conecte el cable de tierra antes de encender la alimentación.
- El electrodoméstico está equipado con un cable flexible conductor de cobre. Si la conexión se

realiza al cableado de aluminio de la casa, use solo conectores especiales que estén aprobados para unir cables de cobre y aluminio de acuerdo con el Código Eléctrico Nacional y los códigos y las ordenanzas locales. La conexión incorrecta del cableado de aluminio de la casa a los cables de cobre puede provocar un cortocircuito o un incendio. Siga atentamente el procedimiento recomendado por el fabricante del conector.

Quando los códigos locales permitan conectar el conductor de conexión a tierra del electrodoméstico al cable neutro (blanco)

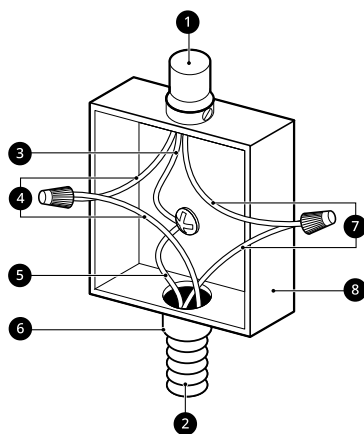
Cumpla todos los códigos y las ordenanzas locales vigentes.

- 1 Desconecte la fuente de energía.
- 2 En la caja del disyuntor, la caja de fusibles o la caja de conexiones, conecte los cables del electrodoméstico y de la fuente de alimentación como se muestra.

⚠ ADVERTENCIA

- No puede conectar a tierra la placa de cocción a través del cable neutro (blanco) si la placa de cocción se utiliza en una instalación de un circuito de ramal nuevo (1996 NEC), en una casa móvil, un vehículo recreativo o cuando los códigos locales no permitan la conexión a tierra al cable neutro (blanco). Cuando se prohíba la conexión a tierra al cable neutro (blanco), se debe usar un cable de fuente de alimentación de 4 hilos. No prestar atención a esta advertencia puede resultar en electrocución u otras lesiones personales graves.

Caja de conexiones a tierra de 3 hilos



- 1 Cable de la fuente de alimentación
- 2 Cable de la placa de cocción
- 3 Cable blanco (neutro)
- 4 Cables rojos
- 5 Cable verde (tierra)
- 6 Conector de conducto homologado por UL
- 7 Cables negros
- 8 Caja de conexiones

Si se utiliza una placa de cocción en una instalación de circuito de ramal nuevo (1996 NEC), en una casa móvil, un vehículo recreativo o donde los códigos locales no permita la conexión a tierra al cable neutro (blanco)

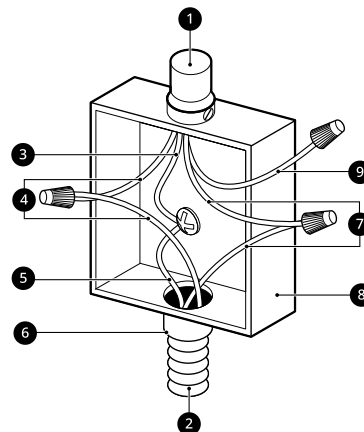
Cumpla todos los códigos y las ordenanzas locales vigentes.

- 1 Desconecte la fuente de energía.
- 2 En la caja del disyuntor, la caja de fusibles o la caja de conexiones, conecte los cables del electrodoméstico y de la fuente de alimentación como se muestra.

⚠ ADVERTENCIA

- Si se conecta a un sistema eléctrico de cable de alimentación de 4 hilos, el cable de tierra conectado al marco del electrodoméstico NO DEBE estar conectado al cable neutro del sistema eléctrico de 4 hilos.

Caja de conexiones a tierra de 4 hilos



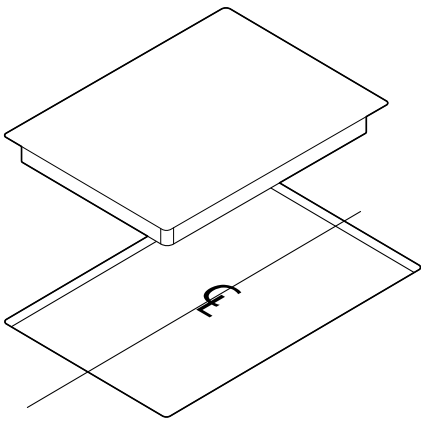
- 1 Cable de la fuente de alimentación

10 INSTALACIÓN

- ❷ Cable de la placa de cocción
- ❸ Cable de conexión a tierra
- ❹ Cables rojos
- ❺ Cable verde (tierra)
- ❻ Conector de conducto homologado por UL
- ❼ Cables negros
- ❽ Caja de conexiones
- ❾ Cable blanco (sin conexión)

Instalación de la unidad de la placa de cocción

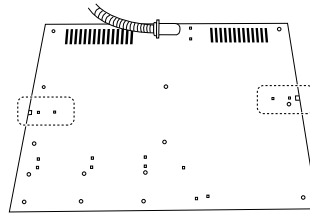
- 1 Inspeccione visualmente la placa de cocción ante la presencia de daños.
- 2 Verifique y prepare la ubicación de instalación.
 - Consulte **Dimensiones y Espacios**.
- 3 Baje con cuidado la placa de cocción hacia el corte del mostrador y asegúrese de que no quede atrapado ningún cable.



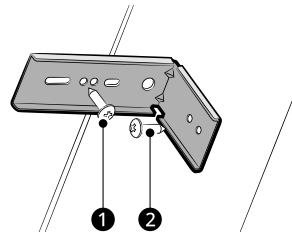
NOTA

- No use compuesto de calafateo. La placa de cocción debe poder retirarse, en caso de que se requiera servicio de mantenimiento.

- 4 En la parte inferior de la placa de cocción, busque los orificios donde se fija la guía de soporte. (Consulte la figura).



- 5 Alinee la guía del soporte con el orificio y, a continuación, muévala hacia la pared lateral del gabinete hasta que toque la pared lateral.
- 6 Utilice los tornillos para fijar la guía de soporte a la placa de cocción y a la pared lateral. Repita con la segunda guía del soporte.



- ❶ M4L10 Tornillo
- ❷ M4L16 Tornillo

NOTA

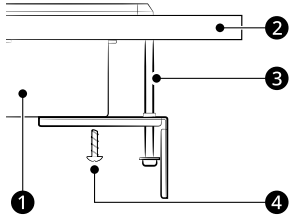
- Asegúrese de fijar las guías de soporte en los lados izquierdo y derecho.
- Asegúrese de que el borde frontal de la placa de cocción está paralelo al borde frontal de la barra. Si es necesario cambiar la posición, levante toda la placa de cocción del recorte para evitar rayar la barra.

Instalación alternativa de la guía del soporte

- 1 Atornille ligeramente las guías de soporte hasta el fondo de la placa de cocción y ajústelos hasta las posiciones deseadas.
- 2 Una vez que los soportes estén ajustados, apriete los tornillos para fijar las guías de

soporte con seguridad a la base de la placa de cocción

- 3** Instale los tornillos M4L75 hasta que los tornillos toquen la base de la barra.



- ❶ Placa de cocción
- ❷ Mostrador
- ❸ M4L75 Tornillo
- ❹ M4L10 Tornillo

12 APÉNDICE

APÉNDICE

Comprobación del funcionamiento

Verificación final

Realice una verificación operativa final de la placa de cocción y asegúrese de que la placa de cocción se encienda correctamente y que cada zona de cocción funcione correctamente. Consulte las Instrucciones de operación en el manual del propietario para obtener más información.



MANUEL D'INSTALLATION

TABLE DE CUISSON

VITROCÉRAMIQUE À

ÉLÉMENTS RADIANTS

Veillez lire attentivement le présent manuel d'installation avant d'installer l'appareil et conservez-le à portée de la main pour le consulter en tout temps.

FRANÇAIS

CBED2415B

www.lg.com

Copyright © 2023-2024 LG Electronics Inc. Tous droits réservés

2

TABLE DES MATIÈRES

3 CONSIGNES DE SÉCURITÉ IMPORTANTES

- 3 LISEZ TOUTES LES CONSIGNES AVANT
L'UTILISATION
- 3 MISES EN GARDE

4 INSTALLATION

- 4 Avant l'installation
- 7 Installation de la surface de cuisson

12 ANNEXE

- 12 Vérification du fonctionnement

CONSIGNES DE SÉCURITÉ IMPORTANTES

LISEZ TOUTES LES CONSIGNES AVANT L'UTILISATION

Messages de sécurité

Il est très important d'assurer votre sécurité et celle des autres.

Nous fournissons de nombreux conseils de sécurité importants dans ce manuel et sur votre appareil. Lisez toujours l'ensemble des messages de sécurité et respectez-les.



Ceci est le symbole d'alerte de sécurité.

Ce symbole vous alerte de dangers potentiels qui peuvent causer la mort ou des blessures. Tous les messages de sécurité seront précédés du symbole d'alerte de sécurité et du terme AVERTISSEMENT ou MISE EN GARDE.

Voici le message que ces mots véhiculent :



AVERTISSEMENT

Vous pouvez être tué ou gravement blessé si vous ne suivez pas les consignes.



MISE EN GARDE

Vous pouvez être légèrement blessé ou vous pouvez endommager le produit si vous ne suivez pas les consignes.

Tous les messages de sécurité vous indiqueront quel est le danger potentiel, comment réduire les risques de blessures et ce qui peut se produire en cas de non-respect des consignes.

MISES EN GARDE

AVERTISSEMENT

- Pour réduire les risques d'explosion, d'incendie, de mort, de décharge électrique, de brûlure ou de blessures lors de l'utilisation de l'appareil, prenez les précautions élémentaires, y compris les suivantes :

Installation

- Assurez-vous que votre appareil est correctement installé et mis à la terre par un technicien qualifié, conformément à la plus récente édition du National Electrical Code ANSI/NFPA No. 70, aux États-Unis, et à toutes les exigences des codes locaux. N'installez l'appareil que conformément aux consignes d'installation.
- Les éléments de sécurité de cet appareil sont conformes aux normes techniques reconnues.
- Ne modifiez ou n'altérez jamais un appareil, par exemple en enlevant les panneaux, les couvre-fils ou toute autre partie permanente du produit.
- Enlevez tout le ruban adhésif et les matériaux d'emballage avant d'utiliser l'appareil. Jetez le carton et tous les sacs en plastique après avoir déballé l'appareil. Ne laissez jamais les enfants jouer avec les matériaux d'emballage.
- L'installation et le raccordement du nouvel appareil doivent être effectués par du personnel qualifié uniquement.

GARDEZ CES CONSIGNES

4 INSTALLATION

INSTALLATION

Avant l'installation

Avant de commencer

L'installation et l'entretien doivent être effectués par un installateur qualifié.

Important : Gardez ces consignes pour l'inspecteur en électricité local. Lisez et conservez ces instructions pour vous y référer ultérieurement.

Lisez ces instructions complètement et attentivement.

⚠ MISE EN GARDE

- Si un espace de rangement se trouve sous la surface de cuisson, ne l'utilisez pas pour entreposer des articles inflammables ou sensibles à la chaleur tels que des détergents, des aérosols, des nettoyants, de l'eau, des aliments ou des plastiques.

REMARQUE

Installateur :

- Avant d'installer la surface de cuisson, lisez toutes les consignes d'installation.
- Enlevez tous les matériaux d'emballage avant de brancher l'alimentation électrique à la surface de cuisson.
- Respectez tous les règlements en vigueur.
- Seuls certains modèles de surface de cuisson peuvent être installés sur certains modèles de four électrique encastré.
- Assurez-vous de laisser ces consignes au propriétaire.

REMARQUE

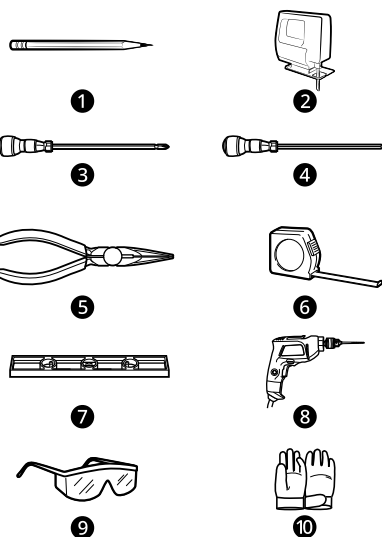
Consommateur :

- Gardez le manuel d'utilisation et les consignes d'installation pour consultation ultérieure.

REMARQUE

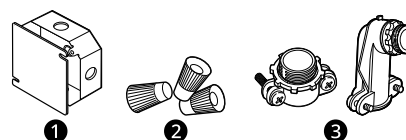
- Cet appareil doit être adéquatement mis à la terre.
- Les dommages causés par le non-respect de ces instructions ne sont pas couverts par la garantie de la surface de cuisson.

Outils nécessaires



- 1 Crayon
- 2 Scie sauteuse
- 3 Tournevis Phillips
- 4 Tournevis plat
- 5 Pincettes
- 6 Ruban à mesurer
- 7 Niveau
- 8 Perceuse
- 9 Lunettes de protection
- 10 Gants

Pièces non fournies



- 1 Boîte de jonction
- 2 Capuchons de connexion
- 3 Serre-câble (connecteur de conduit)

Déballage de la surface de cuisson

- 1 Déballez et inspectez visuellement la surface de cuisson pour détecter tout dommage et vérifier qu'il ne manque aucun composant.

Emplacement du numéro de modèle et du numéro de série

Le numéro de modèle et le numéro de série se trouvent sur une plaque située au fond de la surface de cuisson. Veuillez les noter dans ce guide; vous en aurez besoin pour l'enregistrement de la garantie.

Caractéristiques techniques

Modèles		CBED2415B		
Description		Surface de cuisson radiante		
Spécifications électriques	Tension de connexion	240 / 208 V c.a., 60 Hz., 14,6 A / 12,5 A		
	Charge électrique maximale connectée	3500 W / 2600 W		
Dimensions de la surface de cuisson		23 5/8 po (600 mm) (L) x 3 3/8 po (86 mm) (H) x 20 7/16 po (520 mm) (P)		
Dimensions de la découpe du comptoir		22 po - 22 1/8 po (558 mm - 562 mm) (L) x 18 13/16 po - 19 po (478 mm - 482 mm) (P)		
Zones de cuisson		Position	Dimensions	Power (Mise sous tension)
		Avant gauche	5 po/8 po (127 mm/203 mm)	1000 W / 2000 W
		Arrière gauche	7 po (178 mm)	1500 W
		Arrière droit	6 po (152 mm)	1200 W
		Avant droit	6 po (152 mm)	1200 W

REMARQUE

- La puissance maximale de chaque zone de cuisson dépend de la taille et du matériau de l'accessoire de cuisson utilisé.

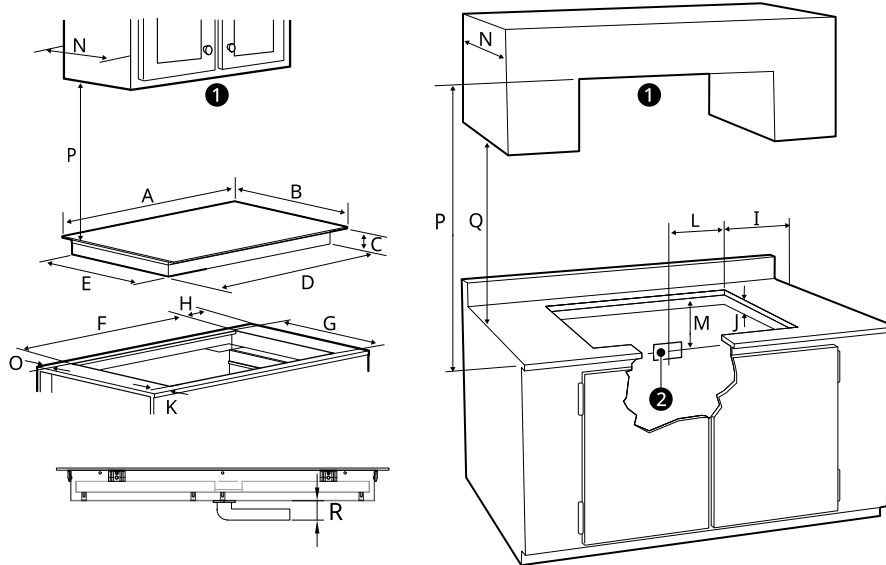
6 INSTALLATION

Préparation de l'emplacement d'installation

Informations importantes sur l'installation

- Toutes les surfaces de cuisson électriques fonctionnent sur une alimentation électrique monophasée, à trois ou quatre fils, de 240/208 volts, 60 hertz, en courant alternatif uniquement, avec mise à la terre.
- La distance minimale entre la surface de cuisson et les armoires situées au-dessus est de 30 po (762 mm).
- Assurez-vous que les armoires et les revêtements muraux situés autour de la surface de cuisson peuvent résister à la chaleur (jusqu'à 90 °C [194 °F]) générée par la surface de cuisson.

Dimensions et dégagements



- ❶ N'obstruez pas ces zones.
- ❷ Emplacement approximatif de la boîte de jonction.

-	Dimensions/dégagements	CBED2415B
A	Largeur de la plaque supérieure	23 5/8 po (600 mm)
B	Profondeur de la plaque supérieure	20 7/16 po (520 mm)
C	Hauteur de la base de la surface de cuisson	2 3/16 po (56 mm)
D	Largeur de la base de la surface de cuisson	21 9/16 po (548 mm)
E	Profondeur de la base de la surface de cuisson	18 7/16 po (468 mm)
F	Largeur de la découpe	22 po - 22 1/8 po (558 mm - 562 mm)
G	Profondeur de la découpe	18 13/16 po - 19 po (478 mm - 482 mm)
H	Dégagement entre le bord latéral de la découpe et le côté du comptoir	≥ 1 po (26 mm)
I	Distance entre le bord de la surface de cuisson et le mur combustible le plus proche (de chaque côté de l'appareil)	1 po (26 mm)

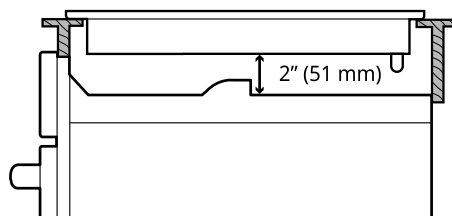
-	Dimensions/dégagements	CBED2415B
J	Hauteur sous la découpe (Un espace vide est requis sous la surface de cuisson pour l'installation)	≥ 4 3/16 po (107 mm)
K	Distance entre l'avant du comptoir et le bord avant de la découpe	≥ 1 1/2 po (38 mm)
L	Boîte de jonction (emplacement approximatif)	≤ 10 po (254 mm)
M	Boîte de jonction (emplacement approximatif)	≥ 15 po (381 mm)
N	Profondeur des armoires situées au-dessus	≤ 13 po (330 mm)
O	Zone de découpe et paroi arrière de la table de cuisson	≥ 1 1/8 po (28 mm)
P	Dégagement entre le haut de la surface de cuisson et le bas des armoires situées au-dessus	≥ 30 po (762 mm)
Q	Dégagement entre le comptoir et le bas des armoires adjacentes	≥ 18 po (457 mm)
R	Hauteur du conduit	1 po (26 mm)

Toutes les dimensions sont indiquées en pouces et en millimètres (mm).

Prévoyez 2 po (50 mm) sous l'ouverture pour le câble blindé afin de dégager le câble électrique, et prévoyez un espace pour l'installation de la boîte de jonction sur le mur, à l'arrière de la surface de cuisson.

⚠ MISE EN GARDE

- Pour éliminer les risques de brûlure ou d'incendie lorsque vous penchez au-dessus des surfaces chaudes, évitez de placer une armoire au-dessus de la surface de cuisson. Si une armoire y est installée, réduisez les risques en installant une hotte qui dépassera horizontalement d'au moins 5 po (127 mm) des panneaux de l'armoire.
- Il est très important de garder une distance de 2 po (51 mm) entre la surface de cuisson et le four situé en dessous.



Installation de la surface de cuisson

Branchement électrique

Consignes de sécurité importantes

- Assurez-vous que la surface de cuisson est installée et mise à la terre correctement par un installateur ou un technicien qualifié.

- Cette surface de cuisson doit être mise à la terre conformément aux codes locaux ou, en leur absence, à la plus récente édition du National Electrical Code ANSI/NFPA No. 70, aux États-Unis.

8 INSTALLATION

⚠ AVERTISSEMENT

- L'alimentation électrique de la surface de cuisson doit être coupée pendant que les connexions sont effectuées. Le non-respect de cette consigne peut entraîner des blessures graves, voire mortelles.

Réalisation du branchement électrique

- Installez la boîte de jonction sous l'armoire et faites passer le fil de 120/240 ou 120/208 volts c.a. depuis le panneau du circuit principal.

REMARQUE

- NE connectez PAS dès maintenant le fil au panneau du circuit.

Exigences électriques

Respectez tous les codes et règlements locaux en vigueur.

- 1 Une alimentation électrique monophasée à trois ou quatre fils, de 120/240 ou 120/208 volts, 60 Hz, uniquement en courant alternatif, est requise sur un circuit séparé protégé par un fusible des deux côtés de la ligne (un fusible temporisé ou un disjoncteur est recommandé). NE mettez PAS le neutre sous fusible. La taille du fusible ne doit pas dépasser la valeur nominale du circuit de l'appareil indiquée sur la plaque signalétique.
- 2 Cet appareil peut consommer jusqu'à 3500 W à 240 VCA. Un disjoncteur de 30 Amp avec nr 8 AWG doivent être utilisés.

⚠ AVERTISSEMENT

- Ne vous servez pas d'une rallonge électrique avec cet appareil. Une telle utilisation peut entraîner un incendie, une décharge électrique ou d'autres blessures.

REMARQUE

- La taille des fils et ainsi que les connexions doivent être conformes à la taille et au calibre du fusible de l'appareil, conformément à la plus récente édition du National Electrical Code ANSI/NFPA No. 70 et aux normes et réglementations locales.

- 3 L'appareil doit être raccordé au boîtier de sectionnement à fusible (ou disjoncteur) par un câble flexible blindé ou à gaine non métallique. Le câble flexible blindé qui part de cet appareil doit être raccordé directement à la boîte de jonction mise à la terre. La boîte de jonction doit être située comme indiqué dans la section **Dimensions et dégagements**, avec autant de jeu que possible dans le câble entre la boîte et l'appareil, afin que ce dernier puisse être déplacé pour l'entretien.

- 4 Un serre-câbles approprié doit être utilisé pour fixer le câble flexible blindé à la boîte de jonction.

Branchement électrique

Raccordez le câble flexible blindé qui part de l'unité de surface jusqu'à la boîte de jonction en utilisant un serre-câbles approprié à l'endroit où le câble blindé entre dans la boîte de jonction. Effectuez ensuite le branchement électrique comme suit.

La mise à la terre de cet appareil est obligatoire.

Cet appareil est doté d'un fil d'alimentation et d'un fil de mise à la terre vert ou en cuivre nu connecté au cadre.

REMARQUE

À L'ÉLECTRICIEN :

- Les câbles blindés fournis avec l'appareil sont homologués UL pour le raccordement à des câbles domestiques de plus gros calibre. L'isolation des fils est conçue pour résister à des températures beaucoup plus élevées que celles des câbles domestiques. La capacité de transport de courant du fil conducteur est régie par la température nominale de l'isolation autour du fil, plutôt que par le seul calibre du fil.

⚠ AVERTISSEMENT

- NE mettez PAS à la terre sur un tuyau d'alimentation en gaz. NE raccordez PAS l'appareil à l'alimentation électrique avant qu'il ne soit mis à la terre de façon permanente. Raccordez le fil de mise à la terre avant de mettre l'appareil sous tension.
- Cet appareil est doté d'un câble flexible avec un conducteur en cuivre. Si le raccordement est fait à un câblage domestique en aluminium, utilisez uniquement des connecteurs spéciaux approuvés pour le raccordement de fils en cuivre et en aluminium, conformément au National Electrical Code et aux normes et réglementations locales. Une connexion

incorrecte du câblage domestique en aluminium aux fils de cuivre peut entraîner un court-circuit ou un incendie. Suivez scrupuleusement la procédure recommandée par le fabricant du connecteur.

Lorsque les codes locaux autorisent le raccordement du conducteur de mise à la terre de l'appareil au fil neutre (blanc)

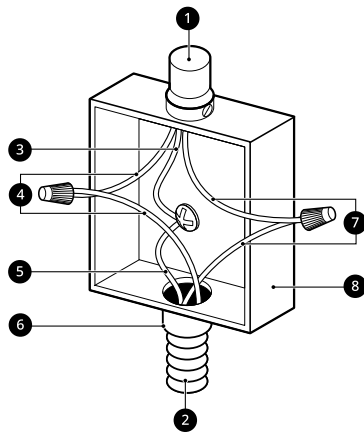
Respectez tous les codes et règlements locaux.

- 1 Débranchez l'alimentation.
- 2 Au boîtier du disjoncteur, au boîtier à fusibles ou à la boîte de jonction, connectez les fils de l'appareil et du câble d'alimentation comme indiqué.

⚠ AVERTISSEMENT

- Vous ne pouvez pas mettre la surface de cuisson à la terre par le fil neutre (blanc) si la surface de cuisson est utilisée dans une nouvelle installation de circuit de dérivation (NEC 1996), une maison mobile ou un véhicule récréatif, ou lorsque les codes locaux ne permettent pas la mise à la terre par le fil neutre (blanc). Lorsque la mise à la terre du fil neutre (blanc) est interdite, vous devez utiliser un câble d'alimentation à quatre fils. Le non-respect de cet avertissement peut entraîner une électrocution ou d'autres blessures corporelles graves.

Boîte de jonction à trois fils avec mise à la terre



- 1 Câble de l'alimentation électrique
- 2 Câble de la surface de cuisson
- 3 Fil blanc (neutre)

- 4 Fils rouges
- 5 Fil vert (terre)
- 6 Connecteur pour conduit homologué UL
- 7 Fils noirs
- 8 Boîte de jonction

Si la surface de cuisson est utilisée dans une nouvelle installation de circuit de dérivation (NEC 1996), une maison mobile ou un véhicule récréatif, ou lorsque les codes locaux ne permettent pas la mise à la terre par le fil neutre (blanc)

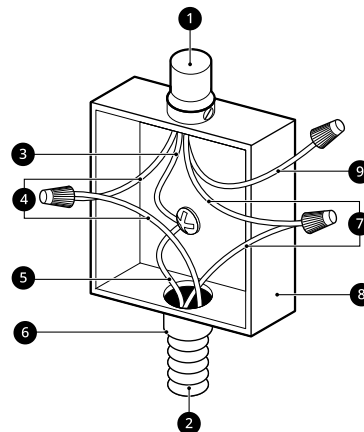
Respectez tous les codes et règlements locaux.

- 1 Débranchez l'alimentation.
- 2 Au boîtier du disjoncteur, au boîtier à fusibles ou à la boîte de jonction, connectez les fils de l'appareil et du câble d'alimentation comme indiqué.

⚠ AVERTISSEMENT

- En cas de connexion à un système électrique avec câble d'alimentation à quatre fils, le fil de mise à la terre connecté au cadre de l'appareil NE DOIT PAS être connecté au fil neutre du système électrique à quatre fils.

Boîte de jonction à quatre fils avec mise à la terre



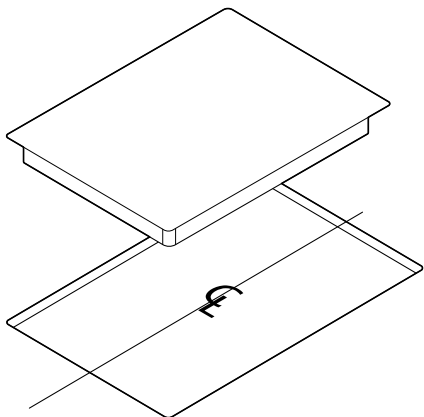
- 1 Câble de l'alimentation électrique
- 2 Câble de la surface de cuisson
- 3 Fil de mise à la terre

10 INSTALLATION

- ④ Fils rouges
- ⑤ Fil vert (terre)
- ⑥ Connecteur pour conduit homologué UL
- ⑦ Fils noirs
- ⑧ Boîte de jonction
- ⑨ Fil blanc (pas de connexion)

Installation de la surface de cuisson

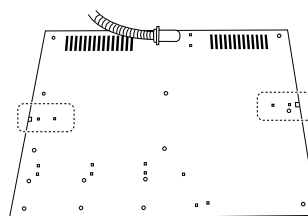
- 1 Inspectez visuellement la surface de cuisson pour vérifier qu'elle n'est pas endommagée.
- 2 Vérifiez et préparez l'emplacement d'installation.
 - Voir la section **Dimensions et dégagements**.
- 3 Abaissez prudemment la surface de cuisson pour la faire entrer dans la découpe du comptoir, en vous assurant de ne pas coincer de fils.



REMARQUE

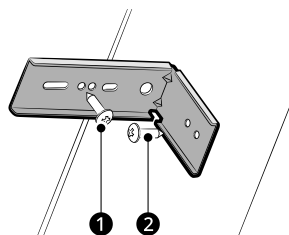
- N'utilisez pas de produit de calfeutrage. La surface de cuisson doit être amovible pour pouvoir en faire l'entretien si nécessaire.

- 4 Sur la partie inférieure de la surface de cuisson, repérez les trous où se fixe le guide du support. (Reportez-vous à l'image).



- 5 Alignez un guide de support avec le trou, puis déplacez-le vers la paroi latérale de l'armoire jusqu'à ce qu'il touche la paroi latérale.

- 6 Utilisez les vis pour fixer le guide de support à la table de cuisson et à la paroi latérale. Répétez l'opération avec le deuxième guide de support.



- ① M4L10 Vis
- ② M4L16 Vis

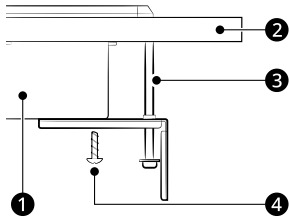
REMARQUE

- Veillez à fixer les guides de support sur les côtés gauche et droit.
- Assurez-vous que le bord avant de la table de cuisson est parallèle au bord avant du comptoir. Si un repositionnement est nécessaire, soulevez toute la table de cuisson de la découpe pour éviter de rayer le comptoir.

Installation du guide de fixation alternatif

- 1 Vissez les guides de support sans les serrer au bas de la table de cuisson et réglez-les dans les positions souhaitées.
- 2 Une fois les supports ajustés, serrez les vis pour fixer solidement les guides de support au bas de la table de cuisson.

- 3** Installer les vis M4L75 jusqu'à ce qu'elles touchent le fond du comptoir.



- ① Surface de cuisson
- ② Comptoir
- ③ M4L75 Vis
- ④ M4L10 Vis

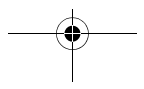
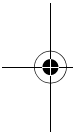
12 ANNEXE

ANNEXE

Vérification du fonctionnement

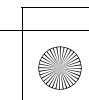
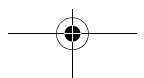
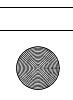
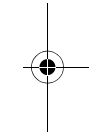
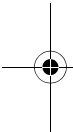
Dernière vérification

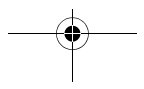
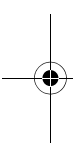
Effectuez une vérification finale du fonctionnement de la surface de cuisson en vous assurant qu'elle s'allume correctement et que chaque zone de cuisson fonctionne bien. Consultez les instructions d'utilisation du manuel du propriétaire pour en savoir plus.





14 AIDE-MÉMOIRE







LG Customer Information Center

For inquiries or comments,
visit **www.lg.com** or call:

1-800-243-0000 U.S.A.
1-888-542-2623 CANADA

Register your product Online!

www.lg.com