



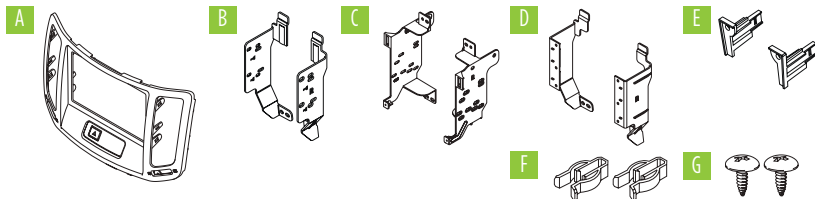
Infiniti G37 2008-2013* *Excluding Convertible with Bose models

KIT FEATURES

- Designed for Pioneer[®] DMHW4600NEX/W4660NEX or DMH-WC5700NEX receivers
- Complete plug-n-play installation
- Retains use of the factory climate control panel
- Allows visual of HVAC and gauges and adjustment of HVAC functions and factory personalization through the Pioneer screen
- Painted scratch resistant matte black
- Retains factory back up camera
- Retains audio controls on the steering wheel
- Supported Languages include English, Spanish and French

KIT COMPONENTS

- A) Upper panel • B) Upper brackets • C) Lower brackets • D) Modular screen brackets • E) Panel clip mounts • F) White panel clips (2)
- G) #8 x 3/8" truss-head Phillips screws (2) • Not shown: Antenna adapter and harnesses



Product Info



TABLE OF CONTENTS

Dash Disassembly	2-3
Kit Preparation	4
Kit Assembly	5-8
Axxess Interface Installation	9-17

Visit MetraOnline.com for more detailed information about the product and up-to-date vehicle specific applications

WIRING & ANTENNA CONNECTIONS

Wiring Harness: Included with kit
Antenna Adapter: 40-N112 Included with kit

TOOLS REQUIRED

- Panel removal tool
- Phillips screwdriver
- Socket wrench

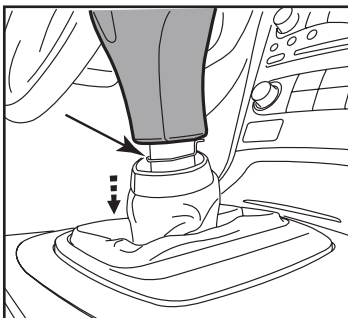
ATTENTION: With the key out of the ignition, disconnect the negative battery terminal before installing this product. Ensure that all installation connections, especially the air bag indicator lights, are plugged in before reconnecting the battery or cycling the ignition to test this product.
NOTE: Refer also to the instructions included with the aftermarket radio.

DASH DISASSEMBLY

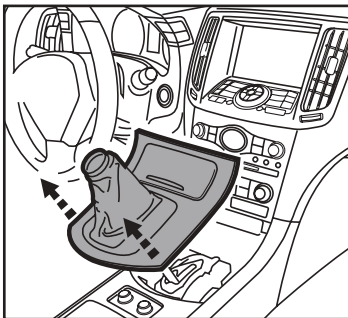
2008-2009 vehicles:

1. Slide the shifter boot down and remove clip holding shifter knob and remove shifter knob. (Figure A)
2. Unclip and remove shifter boot trim panel. (Figure B)

Continued on next page



(Figure A)

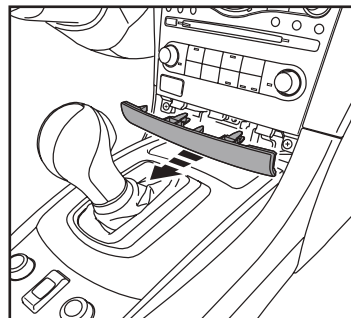


(Figure B)

2010-2013 vehicles:

1. Unclip and remove the **trim panel** from below the factory radio controls. (Figure A)

Continued on next page

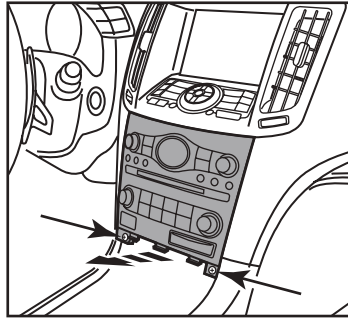


(Figure A)

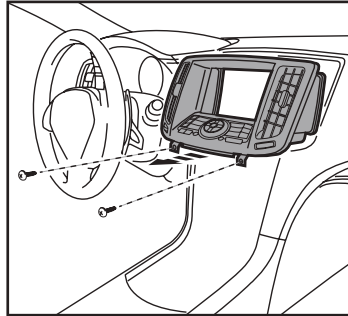
DASH DISASSEMBLY (CONT.)

2008-2013 vehicles:

3. Remove (2) screws at the bottom of the **radio/climate control panel** and remove panel. (Figure C)
4. Remove (2) screws at the bottom of the factory display panel and remove panel with the vents. (Figure D)
5. Remove the **factory vents** and save them for Kit Assembly.



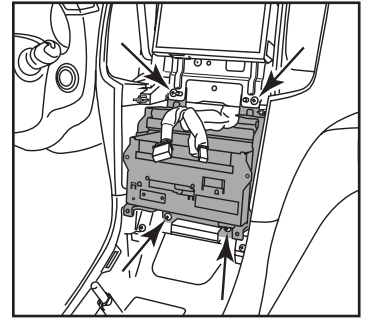
(Figure C)



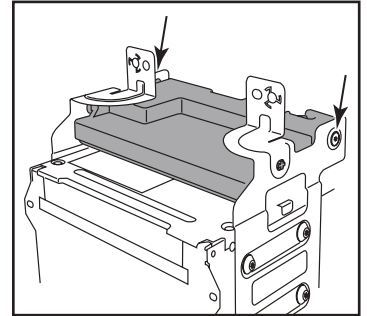
(Figure D)

6. Remove (4) Phillips screws securing the radio chassis and A/C amp bracket assembly then remove the assembly from the dash. (Figure E)
7. Remove (2) Torx screws securing the A/C amp module to the radio chassis/bracket assembly and save for Kit Assembly. (Figure F)

Continue to Kit Preparation



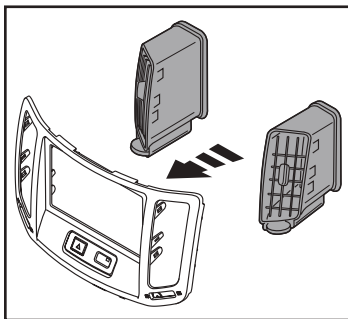
(Figure E)



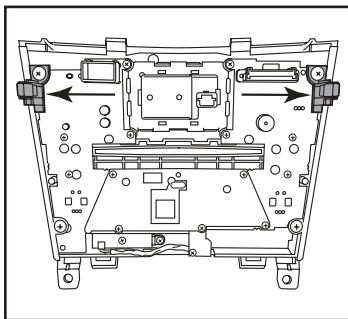
(Figure F)

KIT PREPARATION

1. Snap the factory vents into the **upper panel**. (Figure A)
2. Remove the (2) top corner screws from the **factory climate control panel**.



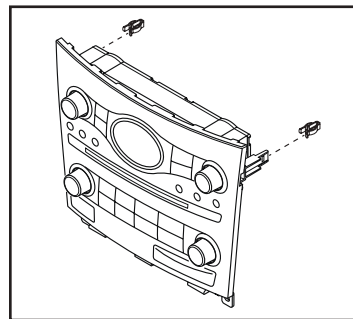
(Figure A)



(Figure B)

3. Attach the **panel clip mounts** to the **factory climate control panel** using the factory screws. (Figure B)
4. Attach the **white plastic panel clips** to the **panel clip mounts**. (Figure C)

Continue to Kit Assembly

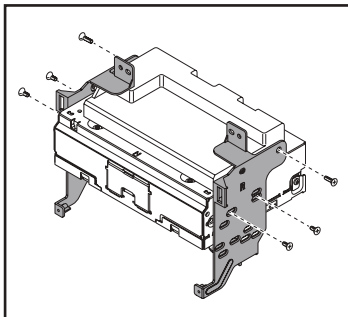


(Figure C)

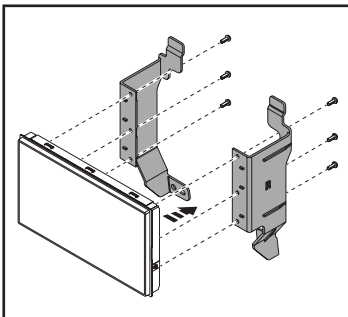
KIT ASSEMBLY

Modular radio mounting

1. Secure the Pioneer radio chassis and the factory AC amp to the **lower brackets** using the screws supplied with the Pioneer radio and the factory AC amp screws. (Figure A)
2. Secure the modular screen to the **modular screen brackets** using the screws supplied with the Pioneer radio. (Figure B)



(Figure A)



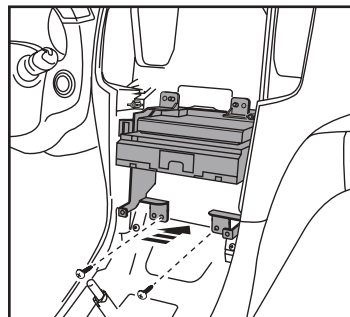
(Figure B)

3. See **AXXESS wiring section page 9**.
4. Plug the Pioneer extension cable to the Pioneer chassis.
5. Secure the radio chassis/ AC amp assembly to the dash using only the bottom two factory screws (the upper two will come after the upper assembly).

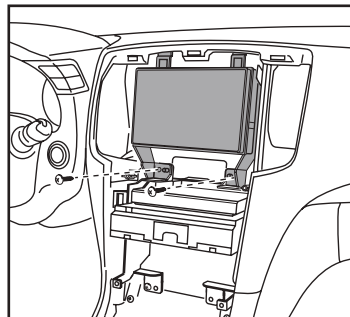
Note: While installing, route the Pioneer extension cable up to upper dash location. (Figure C)

6. Plug extension cable into the modular screen and secure it to the dash using the factory hardware. (Figure D)

Continued on next page



(Figure C)

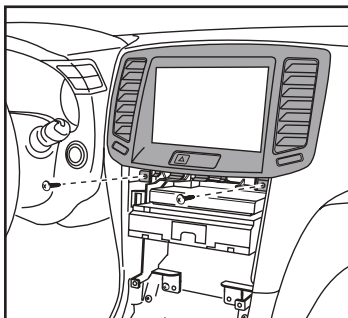


(Figure D)

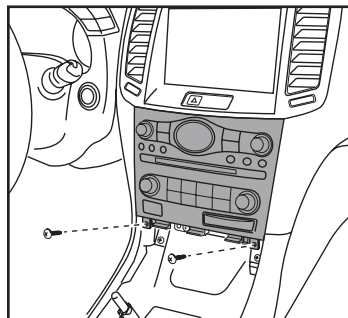
KIT ASSEMBLY (CONT.)

Modular radio mounting (cont.)

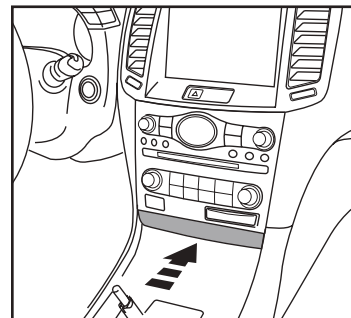
7. Connect the hazard and secure the **upper panel** to the dash using the factory hardware. (Figure E)
8. Plug in the factory climate control and secure at the bottom with the two #8 truss head screws supplied. (Figure F)
9. Snap the **factory bottom trim panel** in place. (Figure G)



(Figure E)



(Figure F)

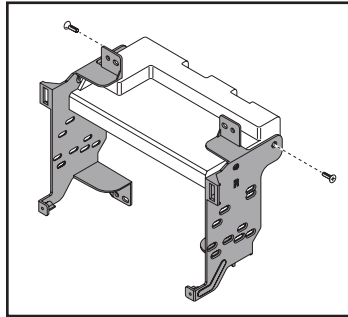


(Figure G)

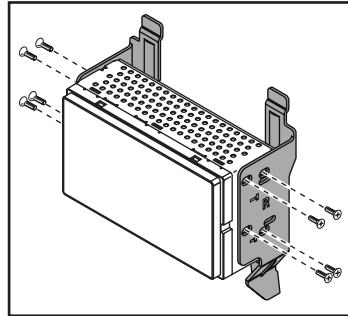
KIT ASSEMBLY (CONT.)

Shallow mount radio

1. Secure the **factory AC Amplifier Module** to the **lower brackets** using the factory AC amp screws. (Figure A)
2. Secure the shallow mount radio to the **upper brackets** using the screws supplied with the Pioneer radio.



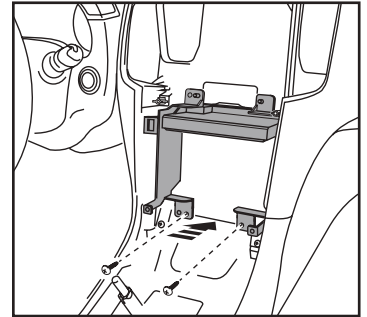
(Figure A)



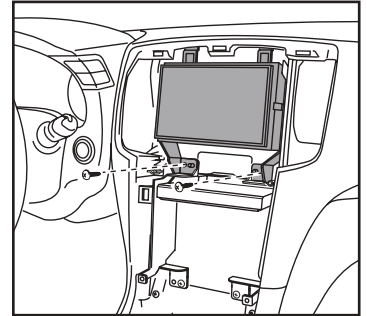
(Figure B)

3. See **AXXESS wiring section page 9**.
4. Secure the AC amp assembly to the dash using only the bottom two factory screws (the upper two will come after the upper assembly). (Figure C)
5. Plug the shallow mount radio in and secure to the dash with remaining two factory screws from step 8. (Figure D)

Continued on the next page



(Figure C)

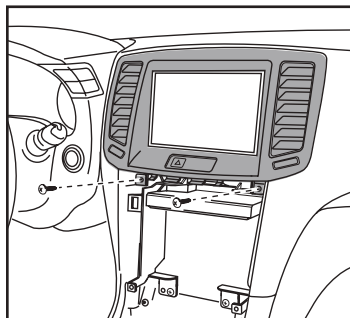


(Figure D)

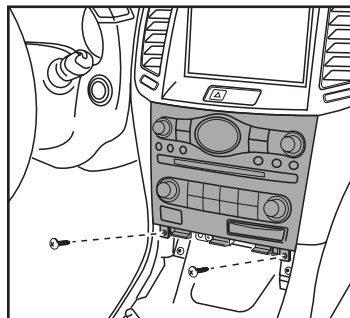
KIT ASSEMBLY (CONT.)

Shallow mount radio (cont.)

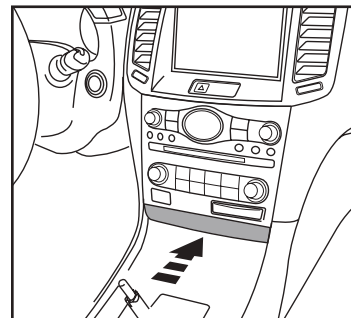
6. Connect the hazard wiring and secure the **upper panel** to the dash using the factory hardware. (Figure E)
7. Plug in the factory climate control and secure at the bottom with the (2) #8 truss head screws supplied. (Figure F)
8. Snap the **factory bottom trim panel** in place. (Figure G)



(Figure E)



(Figure F)



(Figure G)

AXXESS INTERFACE INSTALLATION

INTERFACE FEATURES

- Designed for non-amplified and amplified vehicles
- Complete plug-n-play installation
- Allows visual of HVAC and gauges and adjustment of HVAC functions through Pioneer® screen
- Allows for the retention and adjustment of the factory personalization menu through the Pioneer® radio.
- Retains factory back up camera
- Retains factory AUX in
- Retains audio controls on the steering wheel
- Provides accessory power (12V 10-amp)
- Provides NAV outputs (parking brake, reverse, and speed sense)
- Retains safety chimes through an included off-board speaker
- Includes radio antenna adaptor for GPS
- Micro “B” USB updatable

INTERFACE COMPONENTS

- Radio interface
- 2008-2013 NON-NAV car side harness (**LD-NIS2-PIO**)
- 2010-2013 NAV Models (**LD-NISNAV2-PIO**)
- 2008-2009 NON-NAV models (**LD-NISNAVI-PIO**)
- 12V to 6V camera step down (**AXCSD-6V**)
- Pioneer Harness (**PRO4AVIC-PIO**)
- Pioneer Low-Level Output Harness (**PRO4-PIORCA**)
- External Speaker (Warning Chime Speaker)

TABLE OF CONTENTS

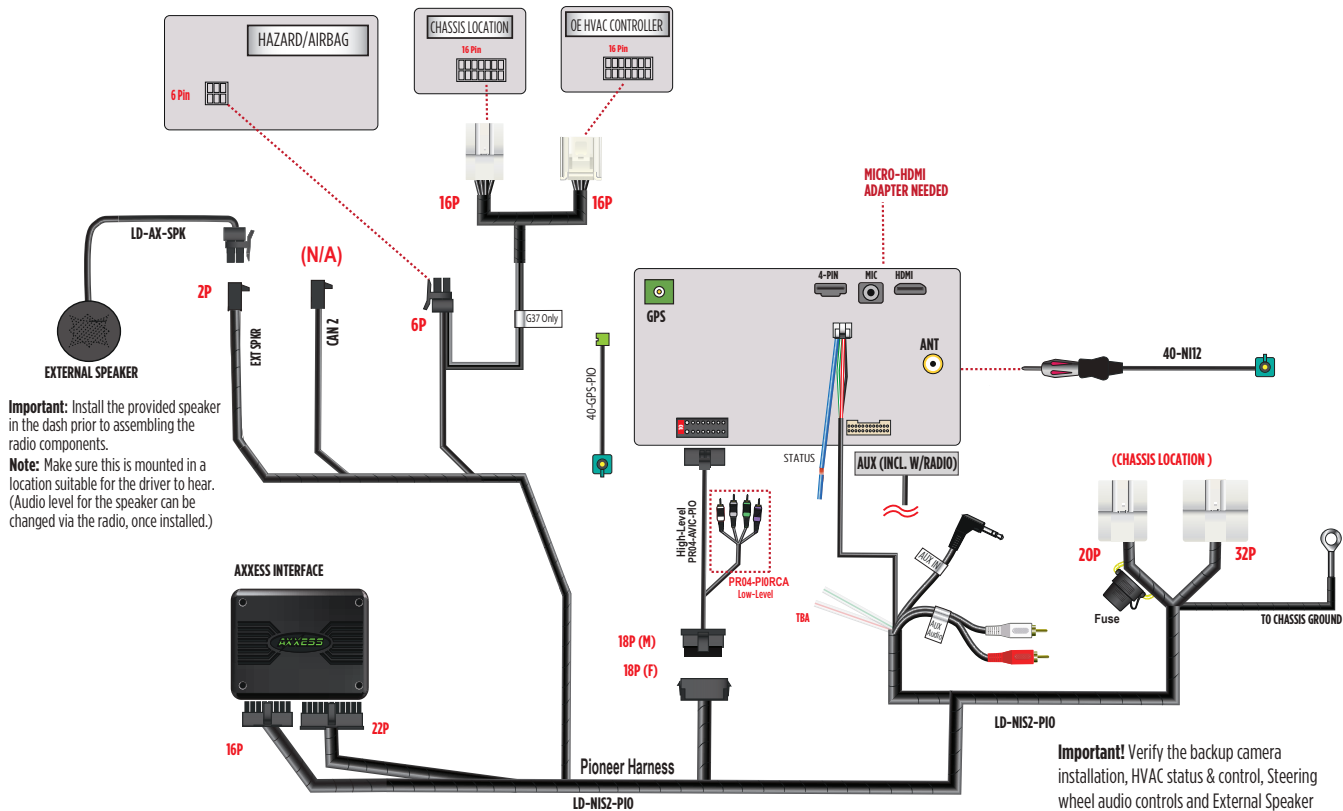
Connections.....	10-15
NON-NAV models 2008-2013 LD-NIS2-PIO	10-11
NAV models 2010-2013 LD-NISNAV2-PIO	12-13
NON-NAV models 2008-2009 LD-NISNAVI-PIO	14-15
Radio Operation.....	16-17

Please Note: Supported Languages include English, Spanish and French

TOOLS REQUIRED

- Crimping tool and connectors, or solder gun, solder, and heat shrink
- Small flat blade screwdriver
- Tape
- Wire cutter
- Zip-ties

2008-2013 NON-NAV MODELS (LD-NIS2-PIO)



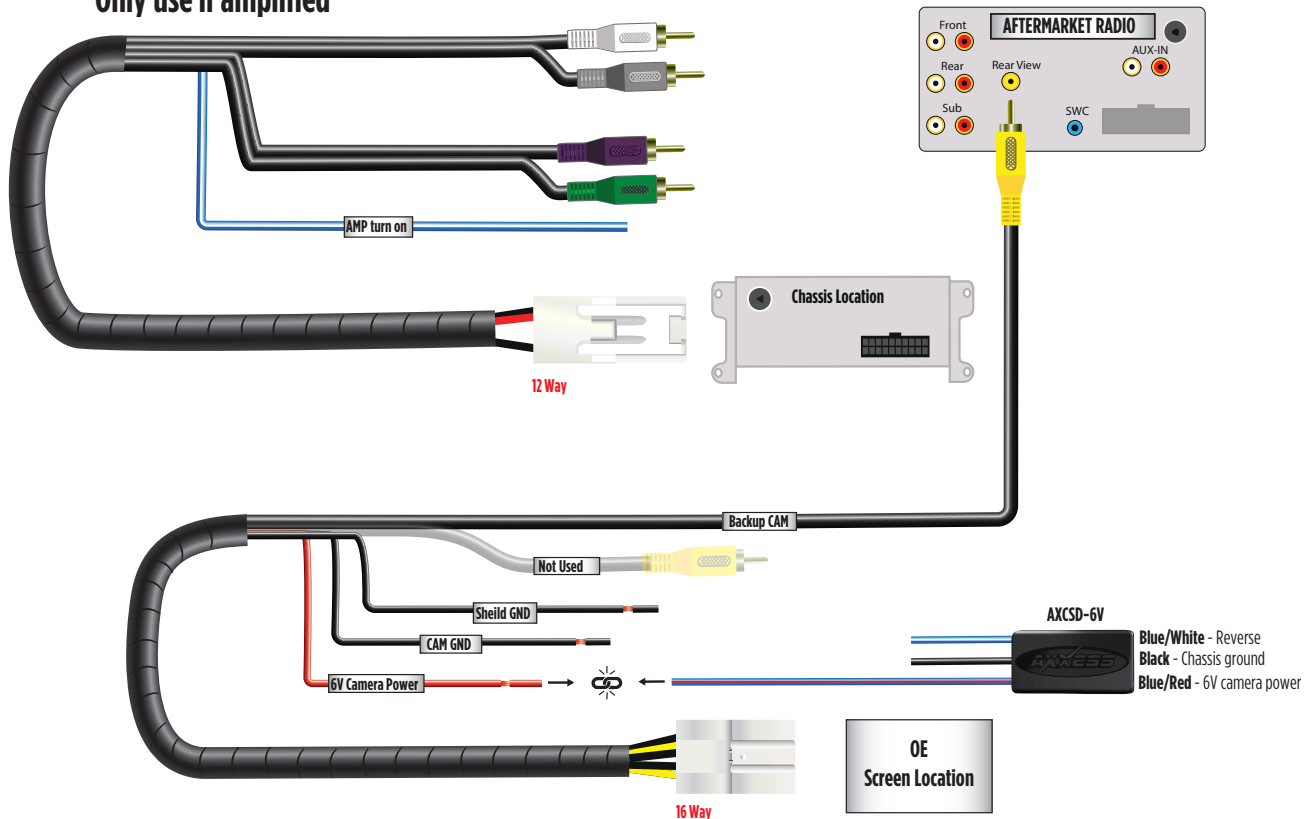
Important: Install the provided speaker in the dash prior to assembling the radio components.

Note: Make sure this is mounted in a location suitable for the driver to hear. (Audio level for the speaker can be changed via the radio, once installed.)

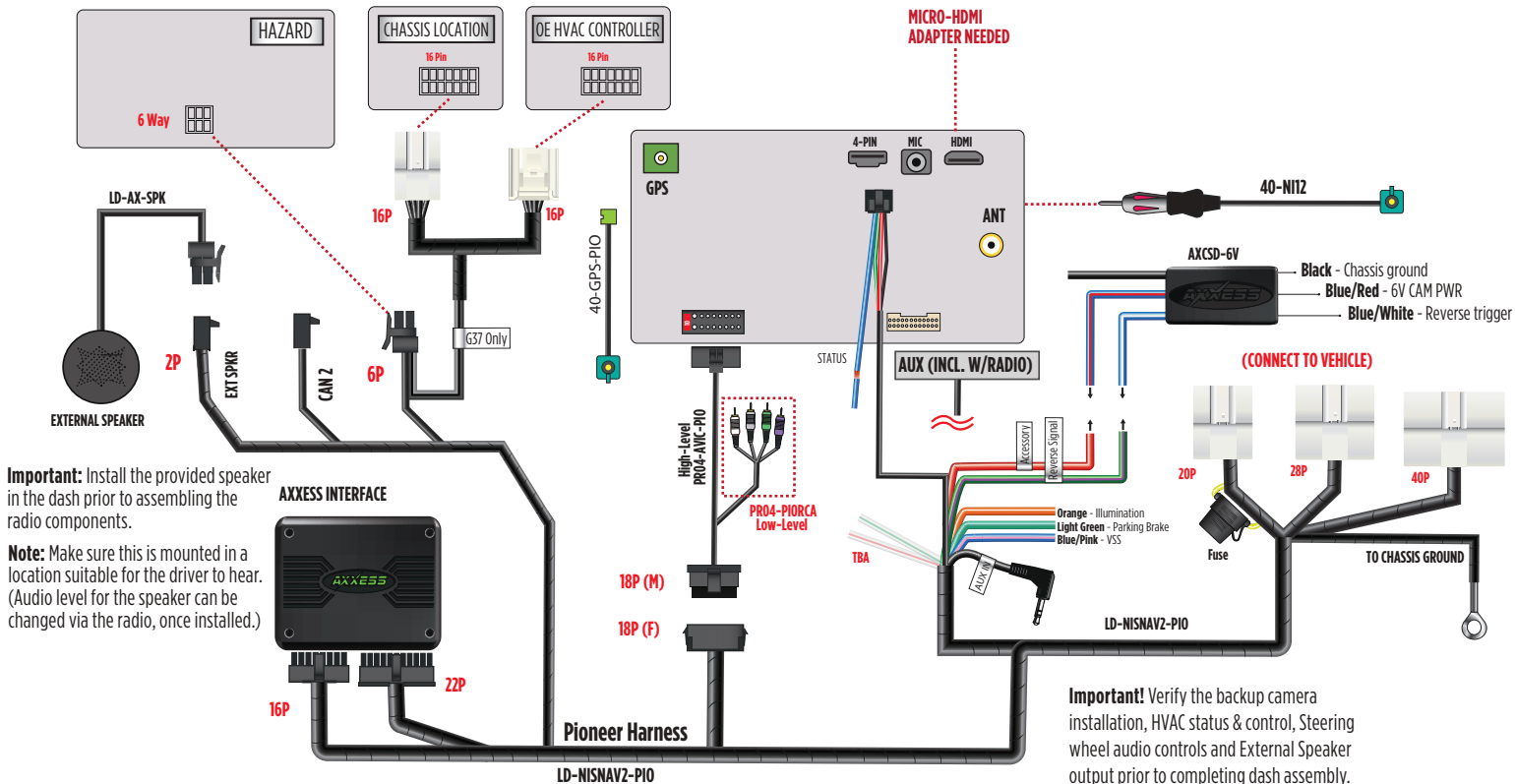
Important! Verify the backup camera installation, HVAC status & control, Steering wheel audio controls and External Speaker output prior to completing dash assembly.

2008-2013 NON-NAV MODELS (LD-NIS2-PIO) CONT.

*Only use if amplified



2010-2013 NAV MODELS (LD-NISNAV2-PIO)

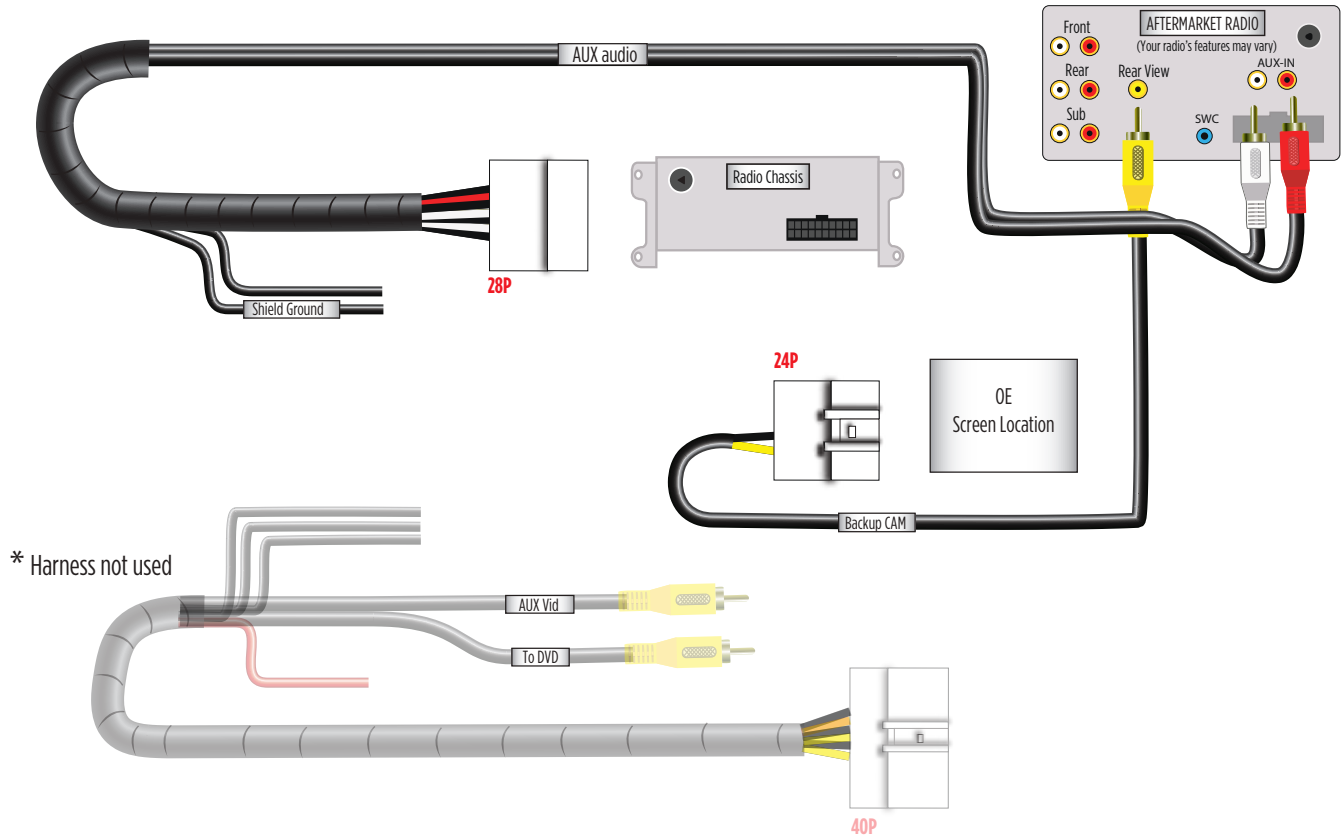


Important: Install the provided speaker in the dash prior to assembling the radio components.

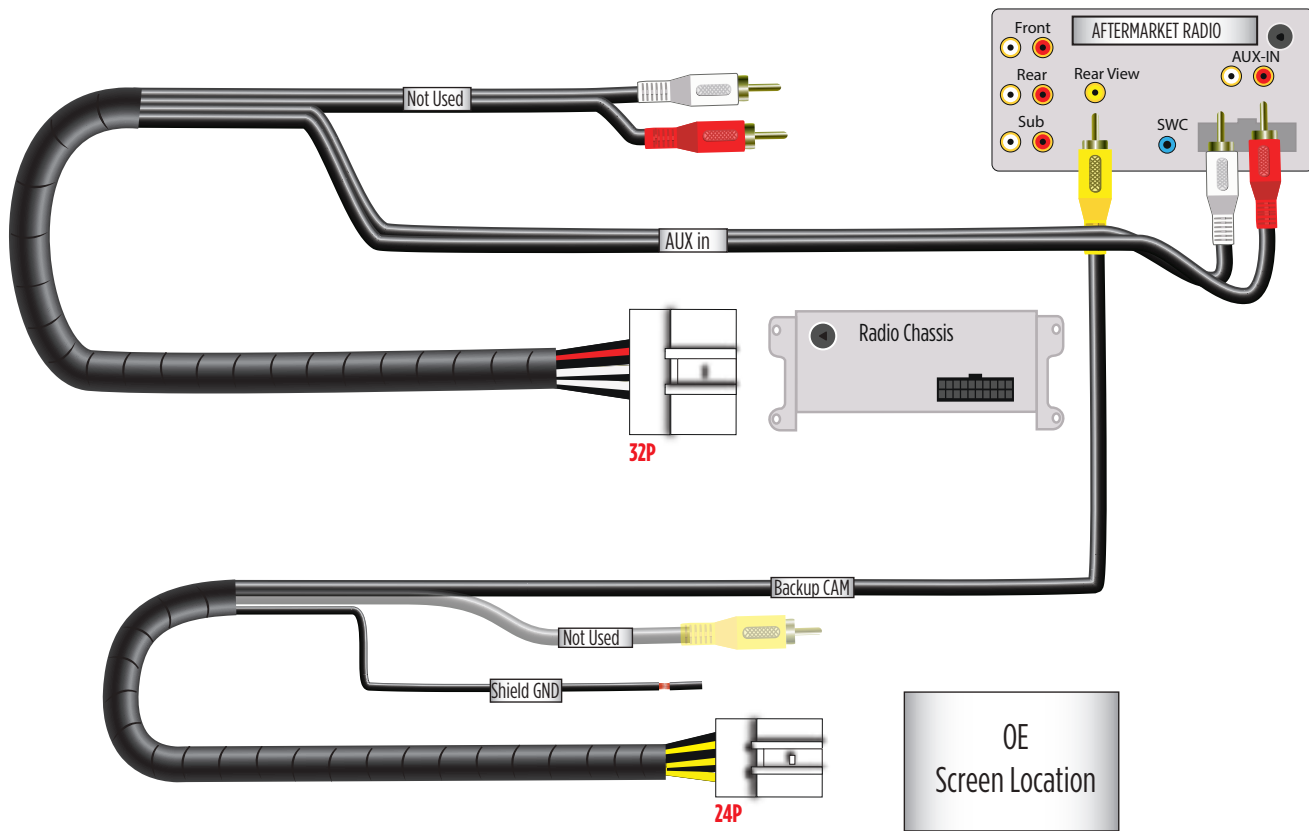
Note: Make sure this is mounted in a location suitable for the driver to hear. (Audio level for the speaker can be changed via the radio, once installed.)

Important! Verify the backup camera installation, HVAC status & control, Steering wheel audio controls and External Speaker output prior to completing dash assembly.

2010-2013 NAV MODELS (LD-NISNAV2-PIO) CONT.



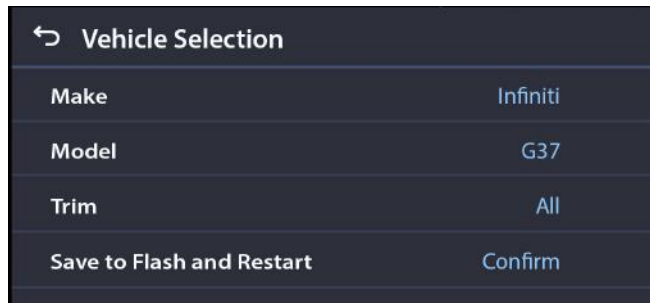
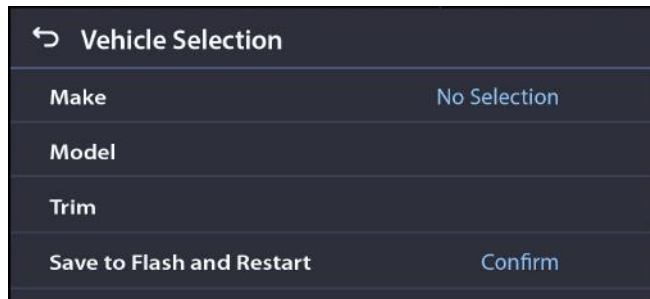
2008-2009 NON-NAV MODELS (LD-NISNAV1-PIO) CONT.



RADIO OPERATION

Vehicle Selection – Allows you to select the vehicle the radio is being installed in.

- Vehicle type must be selected to activate menu & HVAC functions, as well as steering wheel controls. Press Make to change the vehicle type. Then press Confirm. The radio will then reset and lock in the selected vehicle.



Car Features – The source for accessing all vehicle information and options.



RADIO OPERATION (CONT)

HVAC Operation – HVAC Status and Control Screen.



Vehicle Info Screen – Displays various information of the vehicle (TPMS, Park Position, Lights).



Customizations Menu – Allows full control of vehicle personalization options.

- Access this menu by selecting the gear icon on the previous screenshot.



About Screen – Feedback screen for interface software information.





AXPIO-IN1

INSTALLATION INSTRUCTIONS



Having difficulties? We're here to help.



Contact our Tech Support line at:

386-257-1187



Or via email at:

techsupport@metra-autosound.com

Tech Support Hours (Eastern Standard Time)

Monday - Friday: 9:00 AM - 5:00 PM

Saturday: 10:00 AM - 5:00 PM

Sunday: 10:00 AM - 4:00 PM



**Metra recommends MECP
certified technicians**