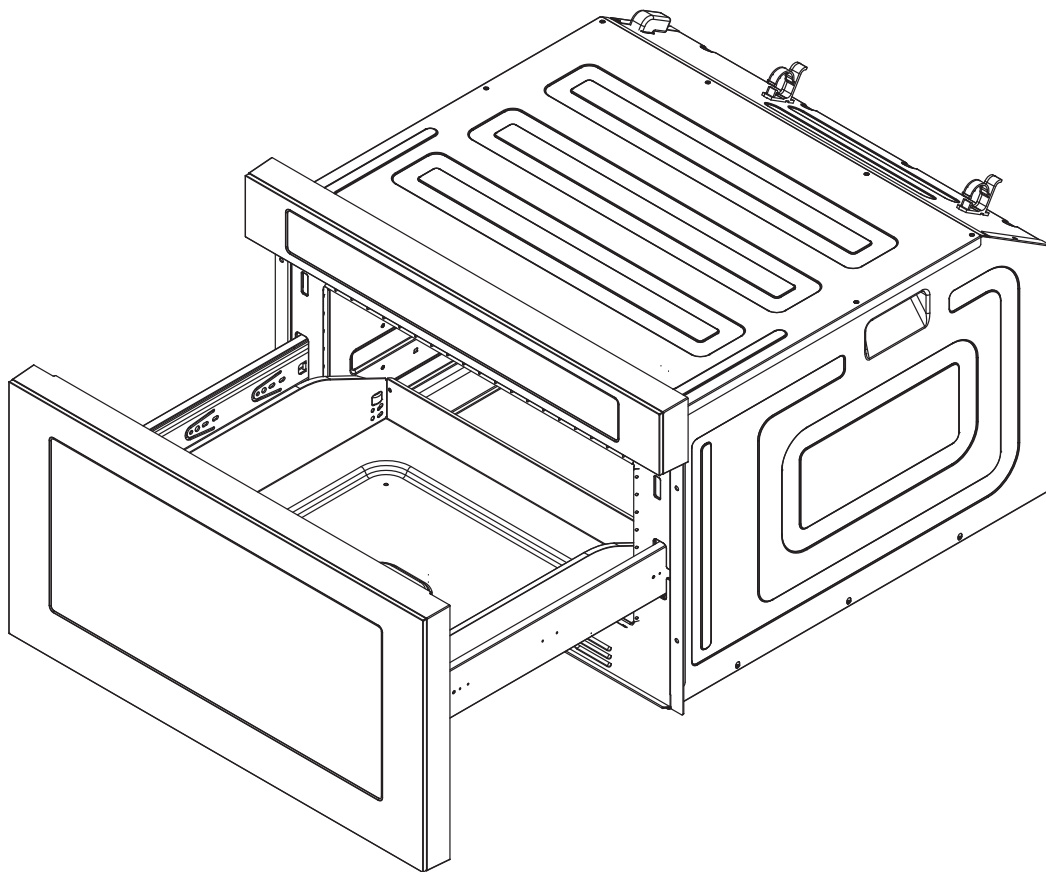


MWD2401AS MWD3001AS

Microwave Drawer

EN Use, Care, and Installation Guide

FR Guide d'utilisation, d'entretien et d'installation





	Page
Safety Information	4-10
Introduction	11
List of Materials	12
Product Specifications	13-14
Product Summary	13
Parts Identification	13
Dimensions	14
Installation Instructions	15-19
Types of Installation.....	15
Installation Clearance Requirements	15
Standard Installation	16
Flush Mount Installation.....	17-18
Grounding Instructions.....	18
Anti-Tip Block.....	19
Electrical Outlet.....	19
Operating Your Appliance	20-26
Using the Control Panel.....	20-21
Cooking, Defrosting, and Auto Features	22-24
Sensor Feature	25-26
Other Features	26
Care and Maintenance	27-29
Safe to Microwave Items	27
Unsafe to Microwave Items	28
Cleaning the Unit	29
Troubleshooting	30
Limited Warranty	31
Product Registration	32

Your safety and the safety of others are very important.



We have provided many important safety messages in this manual for your appliance. Always read and obey all safety messages.



This is the Safety Alert Symbol. This symbol alerts you to potential hazards that can cause severe bodily injury or death. All safety messages will follow the Safety Alert Symbol and either the words “DANGER” “WARNING” or “CAUTION”

 **DANGER** 

Danger means that failure to heed this safety statement may result in severe injury or death.

 **WARNING** 

Warning means that failure to heed this safety statement may result in extensive product damage, serious personal injury, or death.

 **CAUTION** 

Caution means that failure to heed this safety statement may result in minor or moderate personal injury, property or equipment damage.

For your safety, read all instructions carefully before operating the appliance.

PRECAUTIONS TO AVOID POSSIBLE EXPOSURE TO EXCESSIVE MICROWAVE ENERGY

- (a) **Do not attempt** to operate this oven with the door open since open door operation can result in harmful exposure to microwave energy. It is important to not defeat or tamper with safety interlocks.
- (b) **Do not place** any object between the oven front face and the door or allow soil or cleaner residue to accumulate on sealing surfaces.
- (c) **Do not operate** the oven if it is damaged. It is particularly important that the oven door close properly and that there is no damage to the:
 - (1) door (bent)
 - (2) hinges and latches (broken or loosened)
 - (3) door seals and sealing surfaces
- (d) **The oven should not** be adjusted or repaired by anyone except properly qualified service personnel.

GROUNDING INSTRUCTIONS

The appliance must be grounded. In the event of an electrical short circuit, grounding reduces the risk of electric shock by providing an escape wire for the electric current. This appliance is equipped with a cord having a grounding wire with a grounding plug. The plug must be plugged into an outlet that is properly installed and grounded.

Consult a qualified electrician or serviceman if the grounding instructions are not completely understood, or if doubt exists as to whether the appliance is properly grounded. If it is necessary to use an extension cord, use only a 3-wire extension cord that has a 3-blade grounded plug, and 3-slot receptacle that will accept the plug on the appliance. The marked rating of the extension cord shall be equal to or greater than the electrical rating of the appliance.

For your safety, read all instructions carefully before operating the appliance.

 **WARNING** 

Improper use of the grounding can result in a risk of electric shock. Do not plug into an outlet until the appliance is properly installed and grounded.

 **DANGER** 

Touching some of the internal components can cause serious personal injury or death. Do not disassemble this appliance.

1. A short power-supply cord is provided to reduce the risks resulting from becoming entangled in or tripping over a longer cord.
2. Longer cord sets or extension cords are available and may be used if care is exercised in their use.
3. If a long cord or extension cord is used:
 1. The marked electrical rating of the cord set or extension cord should be at least as great as the electrical rating of the appliance.
 2. The extension cord must be a grounding-type 3-wire cord.
 3. The longer cord should be arranged so that it will not drape over the counter top or tabletop where it can be pulled on by children or tripped over unintentionally.

 **WARNING** 

Prop. 65 Warning for California Residents: This product may contain chemicals known to the State of California to cause cancer, birth defects, or other reproductive harm.

For your safety, read all instructions carefully before operating the appliance.

GENERAL SAFETY



When using electrical appliances, basic safety precautions should be followed, including the following:

- ▶ Read all instructions before using the appliance.
- ▶ Read and follow the specific instructions, “PRECAUTIONS TO AVOID POSSIBLE EXPOSURE TO EXCESSIVE MICROWAVE ENERGY”.
- ▶ Use this appliance only for its intended use as described in this manual. Do not use corrosive chemicals or vapors in this appliance. This microwave oven is specifically designed to heat, dry, or cook food, and is not intended for laboratory or industrial use.
- ▶ This appliance should be serviced only by qualified service personnel. Contact nearest authorized service facility for examination, repair, or adjustment.

INSTALLATION

- ▶ Install or locate this appliance only in accordance with the provided installation instructions.
- ▶ This appliance must be grounded. Connect only to properly grounded outlets. See “GROUNDING INSTRUCTIONS”.
- ▶ Do not operate this appliance if it has a damaged power cord or plug, if it is not working properly, or if it has been damaged or dropped.
- ▶ Keep power cord away from heated surfaces.
- ▶ Do not immerse power cord or plug in water.
- ▶ Do not cover or block any openings on the appliance.
- ▶ Do not store this appliance outdoors. Do not use this product near water - for example, near a kitchen sink, in a wet basement, near a swimming pool, or similar location.
- ▶ Do not let power cord hang over edge of the table or counter.

Safety Information

For your safety, read all instructions carefully before operating the appliance.

GENERAL SAFETY

- ▶ Do not mount unit over or near any portion of heating or cooking appliance.
- ▶ Do not mount over a sink.

TO REDUCE THE RISK OF FIRE IN THE CAVITY

- ▶ Do not overcook food. Carefully attend appliance when paper, plastic, or other combustible materials are placed inside the oven to facilitate cooking.
- ▶ Remove the wire twist-ties from paper or plastic containers before placing them in the oven.
- ▶ If materials inside the oven ignite, keep the oven door closed, turn the oven off, and disconnect the power cord, or shut off power at the fuse or circuit breaker panel.
- ▶ Do not store any materials in the oven when not in use. Do not leave paper products, cooking utensils, or food in the cavity when not in use. All racks should be removed from the oven when not in use.
- ▶ Do not operate the microwave feature without food in the oven.

TO REDUCE THE RISK OF BURNS

- ▶ Be careful when opening containers of hot food. Use pot holders and direct steam away from face and hands.
- ▶ Vent, pierce, or slit containers, pouches or plastic bags to prevent build-up of pressure.
- ▶ **HOT CONTENTS CAN CAUSE SEVERE BURNS. DO NOT ALLOW CHILDREN TO USE THE MICROWAVE.**
- ▶ Use caution when removing hot items.

For your safety, read all instructions carefully before operating the appliance.

GENERAL SAFETY

OPERATING

- ▶ As with any appliance, close supervision is necessary when used by children.
- ▶ Make sure all cookware is used in your microwave oven is suitable for microwaving. Most glass casseroles, cooking dishes, measuring cups, custard cups, pottery or china dinnerware which does not have metallic trim or glaze with a metallic sheen can be used in compliance with cookware manufacturers' recommendations.
- ▶ Do not store anything directly on top of the microwave surface when the microwave is in operation.
- ▶ Some products such as whole eggs and sealed containers - for example, closed jars - are able to explode and should not be heated in the microwave oven.
- ▶ Do not overcook potatoes. They could dehydrate and catch fire.
- ▶ Do not cover any other part of the oven with metal foil. This will cause overheating of the oven.
- ▶ Cook meat and poultry thoroughly - meat to at least an internal temperature of 160°F and poultry to at least an internal temperature of 180°F. Cooking to these temperatures usually protects against foodborne illness.
- ▶ This oven is not approved or tested for marine use.
- ▶ Do not operate any heating or cooking appliance beneath the appliance.

CLEANING

- ▶ Keep the oven free from grease buildup
- ▶ Do not clean with metal scouring pads. Pieces can burn off the pad and touch electrical parts involving risk of electric shock.
- ▶ While cleaning surfaces of door and oven that comes together on closing the door, use only mild nonabrasive soaps, or detergent applied with a sponge or soft cloth.

For your safety, read all instructions carefully before operating the appliance.

GENERAL SAFETY

SUPER HEATED WATER

- ▶ Liquids, such as water, coffee, or tea, are able to be overheated beyond the boiling point without appearing to be boiling. Visible bubbling or boiling when the container is removed from the microwave oven is not always present. **THIS COULD RESULT IN VERY HOT LIQUID SUDDENLY BOILING OVER WHEN THE CONTAINER IS DISTURBED OR A UTENSIL IS INSERTED INTO THE LIQUID.**
- ▶ To reduce the risk of injury to persons:
 1. Do not overheat the liquid.
 2. Stir the liquid both before and halfway through heating it.
 3. Do not use straight-sided containers with narrow necks.
 4. After heating, allow the container to stand in the microwave oven for short time before removing the container.
 5. Use extreme care when inserting a spoon or other utensil into the container.

RADIO INTERFERENCE

- ▶ Operation of the microwave oven may cause interference to your radio, TV or similar equipment.
- ▶ When there is interference, it may be reduced or eliminated by taking the following measures:
 1. Clean door and sealing surface of the oven.
 2. Reorient the receiving antenna of radio or television.
 3. Relocate the microwave oven with respect to the receiver.
 4. Move the microwave oven away from the receiver.
 5. Plug the microwave oven into a different outlet so that the microwave oven and receiver are on different branch circuits.

This device complies with part 18 of the FCC Rules. (Only for USA)

SAVE THESE INSTRUCTIONS

If you are experiencing problems, check the Troubleshooting Guide at the back of this manual. It lists causes of minor operating problems that you can correct yourself.

Thank you for purchasing your Zephyr microwave drawer. Zephyr is dedicated to developing products that will enhance your lifestyle with superior quality and distinctive features. Please visit www.zephyronline.com for more information on your product and other Zephyr products.

This manual contains important information regarding the proper installation, use, and maintenance of your microwave drawer. Following this manual will ensure that your product will work at its peak performance and efficiency.

For Your Records

Please write down the model number and serial number below for future reference. Both numbers are located on the rating label on the back of your unit and inside the unit towards the bottom of the cabinet and are needed to obtain warranty service. You may also want to staple your receipt to this manual as it is the proof of your purchase and may also be needed for service under warranty.

Model Number:

Serial Number:

Date of Purchase:

To better serve you, please do the following before contacting customer service:

If you received a damaged product, immediately contact the retailer or dealer that sold you the product.

- ▶ Read and follow this instruction manual carefully to help you install, use and maintain your microwave drawer.
- ▶ Read the troubleshooting section of this manual as it will help you diagnose and solve common issues.
- ▶ Visit us on the web at <http://www.zephyronline.com> to download product guides, additional troubleshooting resources and up-to-date information.
- ▶ If you need warranty service, our friendly customer service representatives are available on our website at <http://zephyronline.com/contact>.

List of Materials

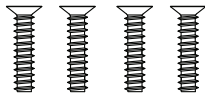
BUILT-IN

MICROWAVE

DRAWER

Quantity

Part



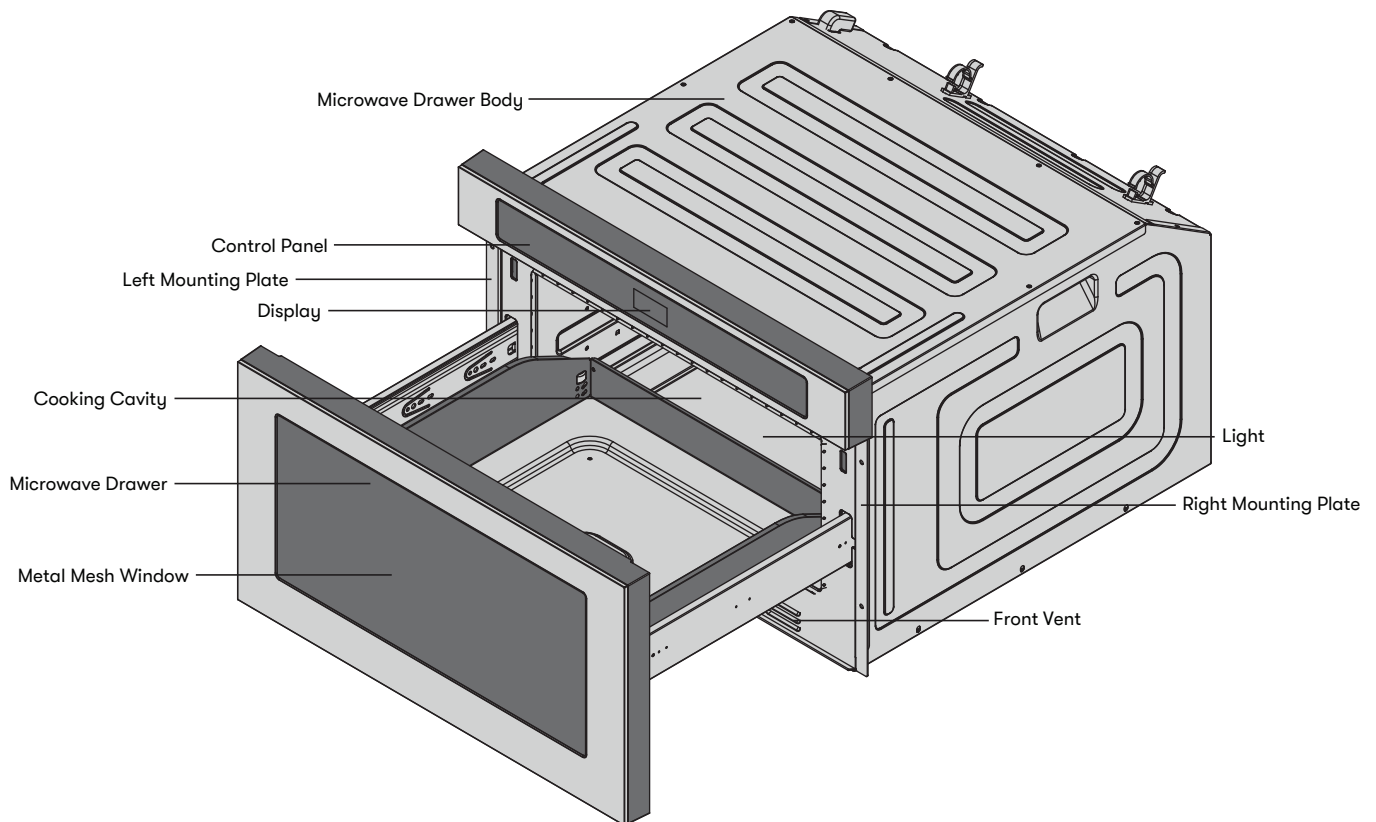
M4*16-F Philip countersunk
head screws

Product Summary

This appliance requires a standard 120 VAC, 60Hz electrical ground outlet.

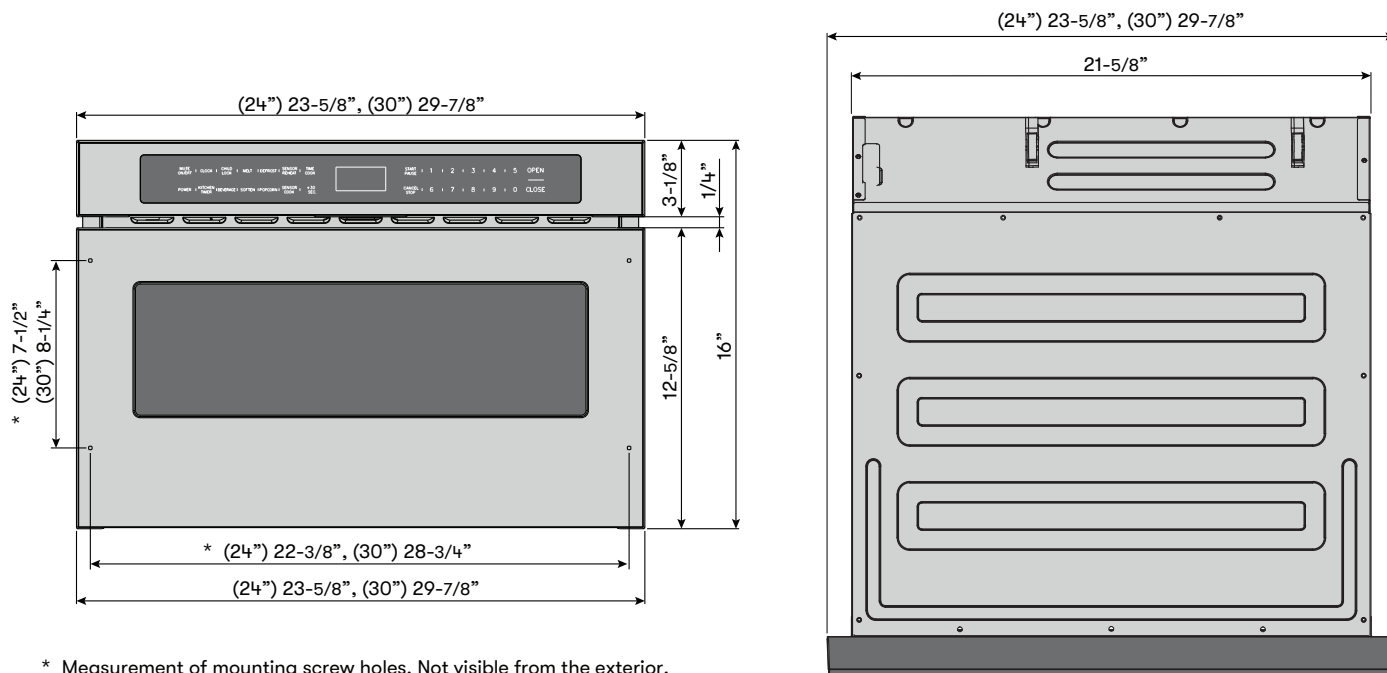
DESCRIPTION OF PRODUCT	Microwave Drawer
NET WEIGHT (lbs)	(24") 69lbs (30") 76.2lbs
VOLTAGE/FREQUENCY	120VAC, 60Hz
AMPERAGE	15A
RATED INPUT	1500W
RATED OUTPUT	1000W
COLOR	Stainless Steel
STORAGE CAPACITY	1.2 cubic ft.
DIMENSIONS (HxWxD)	(24") 16" X 23-5/8" X 23-1/4" (30") 16" X 29-7/8" X 23-1/4"

Parts Identification



Product Specifications

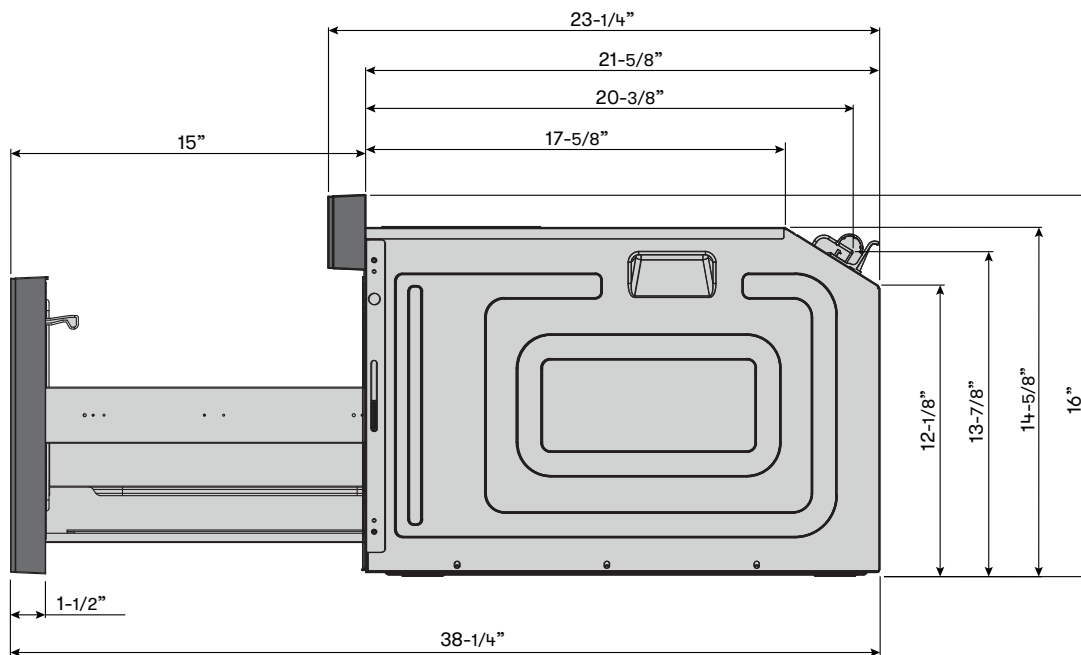
Dimensions



* Measurement of mounting screw holes. Not visible from the exterior.

Front View

Top View



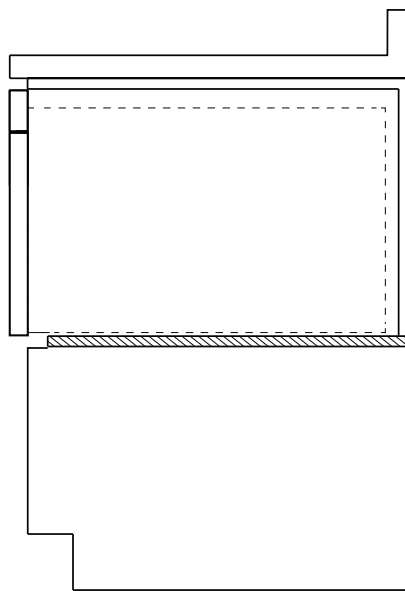
Side View

NOTE: Usable internal height is 7-1/8", and usable internal width and depth are 16-1/4". Usable internal measurements determine what contents can fit inside the microwave drawer for cooking.

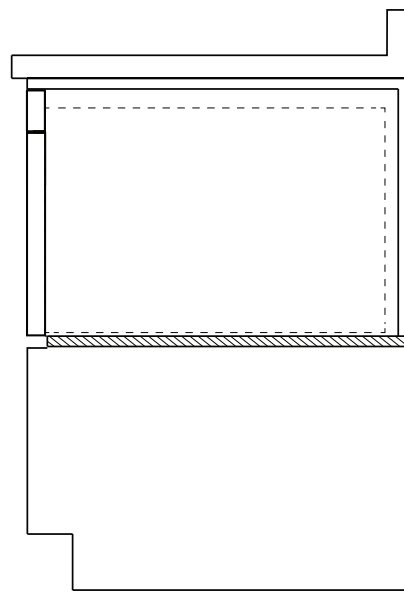
Types of Installation

The microwave drawer can be built into a cabinet, standalone wall, or under a gas or an electric wall oven where both standard installation and flush mount installation are available.

- ▶ Standard installation is a standing proud installation, meaning it will be exposed and sit forward of the surrounding cabinetry or countertop.
- ▶ Flush mount installation is when the microwave drawer is flush or on the same plane as the surrounding cabinetry or countertop.



Side View of Standard Installation



Side View of Flush Mount Installation

Installation Clearance Requirements

When installing the microwave drawer into a counter, follow the recommended spacing dimensions shown. The given dimensions provide minimum clearance.

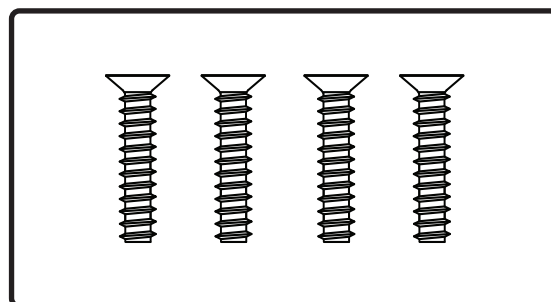
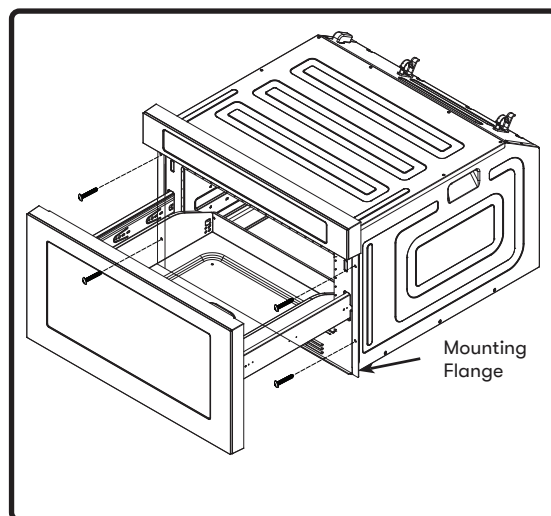
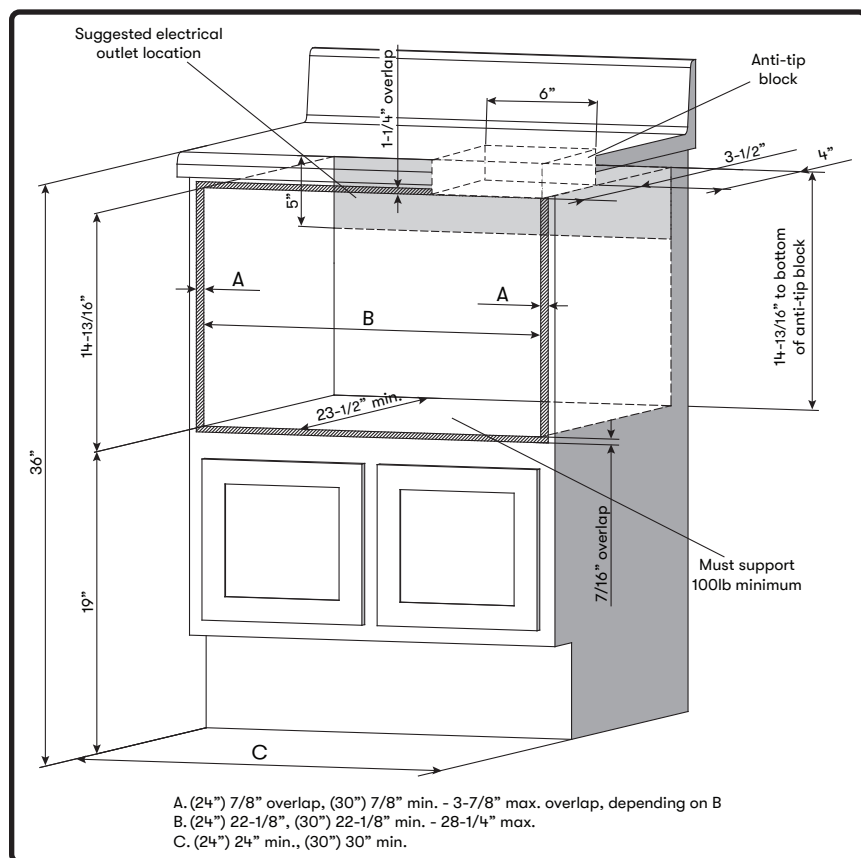
- ▶ Make sure the clearance of the floor between the wall oven and microwave drawer is a minimum of 2".
- ▶ The power supply cord is located on the back of the unit and has a length of 51-1/8" to accommodate multiple outlet locations, including installation to an adjacent cabinet. The power supply cord access hole should be a minimum 1-1/2" diameter hole and debarred of sharp edges.
- ▶ The contact surface must be solid and level. The floor of the opening should be constructed of plywood strong enough to support the weight of the oven (about 100lbs).
- ▶ This microwave drawer can be fully built-in to cabinetry and does not require any additional clearances besides what is referenced.

Installation Instructions

Standard Installation

Please carefully follow the instructions below to properly install the microwave drawer via standard installation. Standard installation will result in the door slightly protruding from the cabinet.

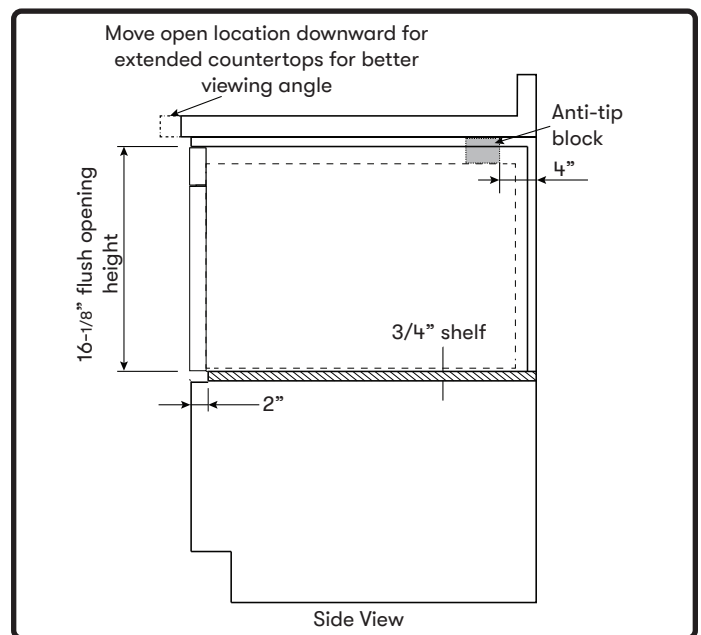
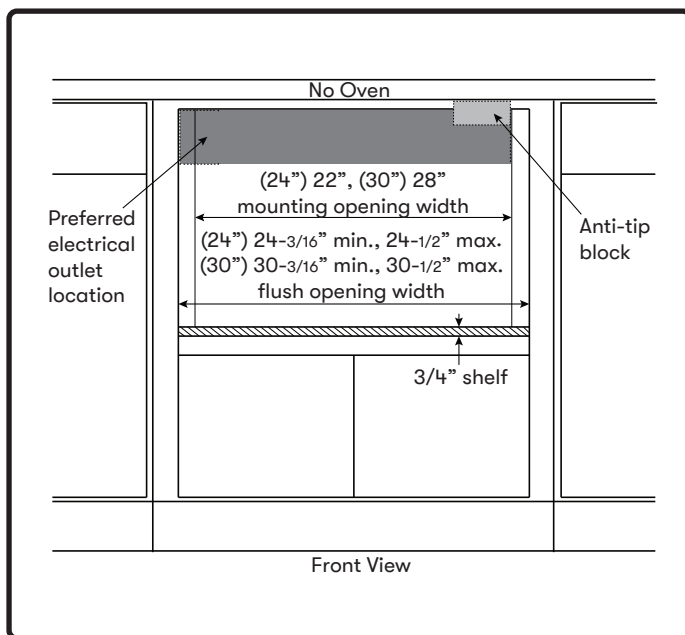
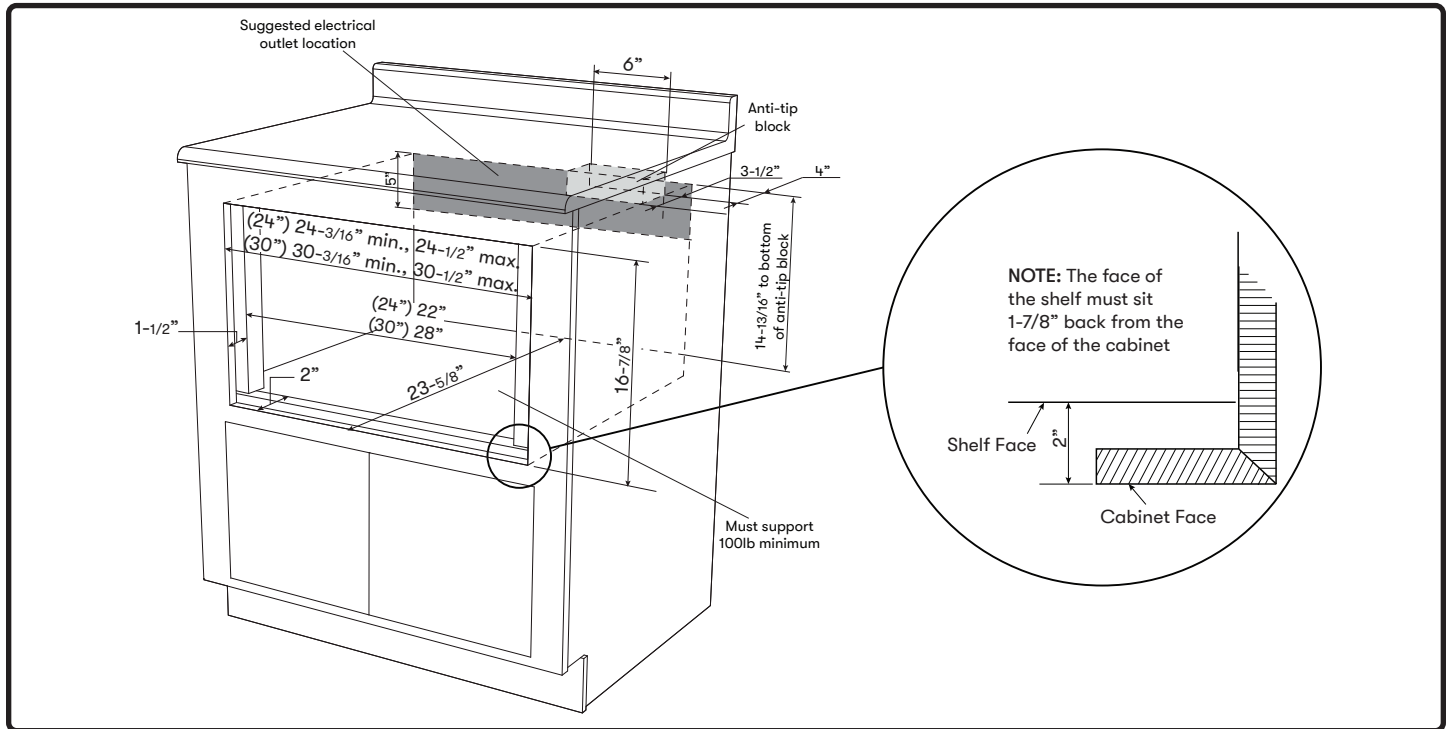
1. Prepare the cabinet opening as shown below.
2. Place the microwave drawer adjacent to the wall or cabinet opening. Plug the power cable into the electrical outlet.
3. Carefully guide the microwave drawer into the prepared opening. Avoid pinching the power cable between the microwave drawer and the wall.
4. Slide the microwave drawer all the way until the mounting flange is flush with the face of the cabinet.
5. Open the microwave drawer. Using the 4 holes on the microwave drawer to guide in pre-drilling the cabinet using a 1/16" drill bit.
6. Secure the drawer with (4) M4*16-F Philip countersunk screws.



Flush Mount Installation

Please carefully follow the instructions below to properly install the microwave drawer flush to the cabinet.

1. Prepare the cabinet opening as shown below.



Installation Instructions

Flush Mount Installation

2. Place the microwave drawer adjacent to the wall or cabinet. Plug the power supply cord into the electrical outlet. The power supply cord can also be installed using an electrical outlet in an adjacent cabinet.
3. Loop (do not tie) a 36" string around the power supply cord before the drawer is slid into place. This string will keep the cord from falling behind the drawer.
4. Lift the microwave drawer into the cabinet cutout using the opening as grip. Carefully guide the microwave drawer into the prepared opening.
5. As the microwave drawer is slid back, pull the string so the cord will lie on top of the drawer in a natural loop and avoid pinching the cord between the drawer and the wall.
6. Once the cord is out the of way, slide the drawer 3/4 way back into the opening. Remove the string by pulling on one end of the loop.
7. Slide the microwave drawer all the way back until the mounting flanges is flush with the face of the cabinet
8. Open the microwave drawer. Use the 4 holes on the microwave drawer to guide in pre-drilling the cabinet using a 1/16" drill bit. Refer to image on page 16.
9. Secure the drawer with (4) M4*16-F Philip countersunk screws.

Grounding Instructions

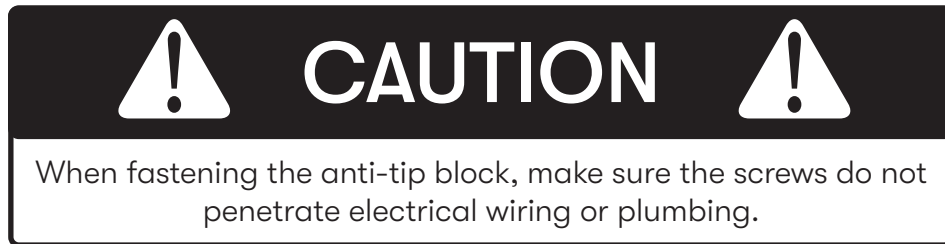
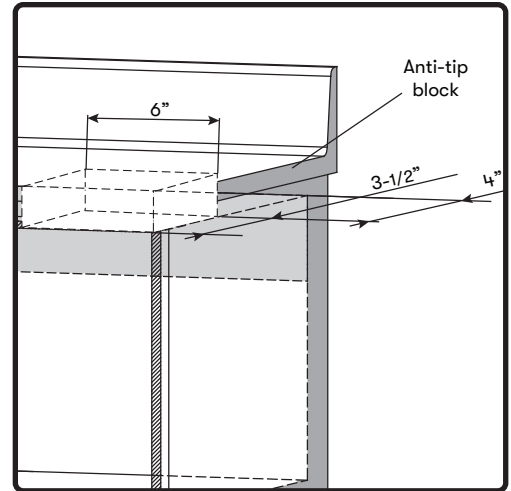
This appliance must be grounded. The microwave drawer is equipped with a cord having a grounding wire with a grounding plug. It must be plugged into a wall receptacle that is properly installed and grounded in accordance with the National Electrical Code and local codes and ordinances. In the event of an electrical short circuit, grounding reduces the risk of electric shock by providing an escape wire for the electric current.



Anti-Tip Block

To reduce the risk of tipping over the microwave drawer and causing serious injury, the anti-tip block must be properly installed. The anti-tip block must be installed 14-13/16" above the area where the microwave drawer will sit. When installed to the wall, make sure the screws completely penetrate the dry wall and are fully secured in either wood or metal so that the anti-tip block is completely stable.

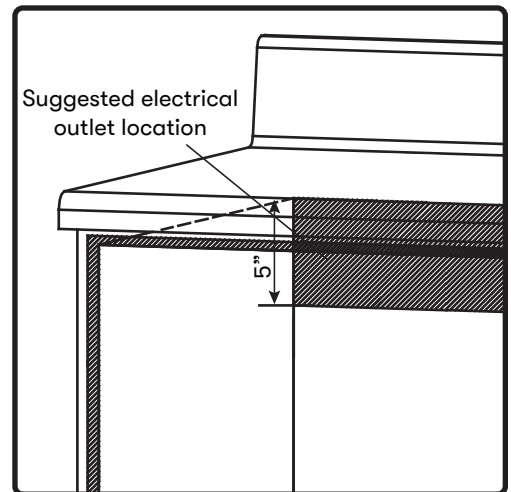
NOTE: If the microwave drawer is ever moved to a different location, the anti-tip block must also be moved and reinstalled with it.



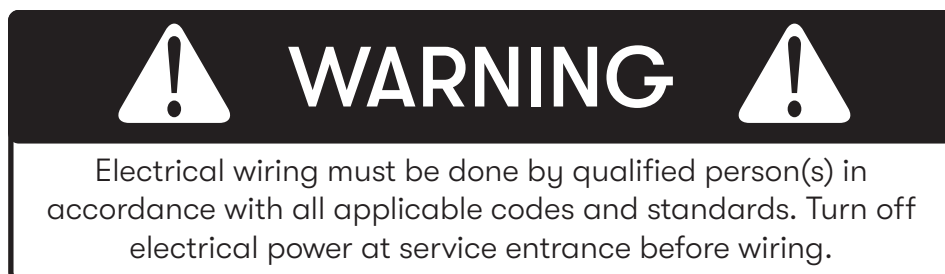
Electrical Outlet

The electrical requirements are a 120VAC, 60Hz, 15 ampere or more protected electrical supply. It is recommended that a separate circuit serving only this appliance be provided. The drawer is equipped with a 3-prong grounding plug, and it must be plugged into a wall receptacle that is properly installed and grounded. Should you only have a 2-prong outlet, it is your responsibility to install a correct wall receptacle.

The microwave drawer can also be installed using an electrical outlet in an adjacent cabinet within the area where the provided electrical cord can reach. Always check electrical codes for requirements.



NOTE: Do not use extension cords or adapter plugs with this appliance.



Using the Control Panel



STANDBY MODE

When the microwave drawer is first plugged into an outlet, an alarm will sound. The screen will display “WELCOME”. Then, the microwave drawer defaults to standby mode. Standby mode is defined as being idle and not being operated for cooking.

The screen will display “00:00”. In standby mode, the screen will display the current time if the clock has been set. Otherwise, “00:00” will display.

OPEN & CLOSE

Allows you to open and close the microwave drawer with ease.

1. Press the OPEN button to open the microwave drawer. The screen will display “OPEN”.
2. Press the CLOSE button to close the microwave drawer. The screen will display “CLOSE”. The screen will display the current time or “00:00” when the microwave drawer has fully closed. Manually pushing to close the microwave drawer is also acceptable.

NOTE: The microwave drawer automatically opens by pressing the OPEN button and automatically closes by pressing the CLOSE button. However, pressing the OPEN or CLOSE button during this process will stop the door from opening or closing. Pressing the OPEN or CLOSE button again will resume the process.

CLOCK

The clock shows the time under a 12-hour display and can only be set in standby mode. To reset the clock, repeat the steps below:

1. Press the CLOCK button, and the screen will display “12:00”.
2. Press the number keys to enter the correct time. The input time should be between 1:00 - 12:59.
3. Press CLOCK or START/PAUSE to finish the setting, indicated by a flashing “:.”.
 - ▶ Pressing the CANCEL/STOP button or waiting a minute while setting up the clock will cause the microwave drawer to revert back to its former time.

KITCHEN TIMER

Allows you to keep track of cooking over an extended period of time.

1. Press the KITCHEN TIMER button once for the screen to display “00:00”.
2. Press the number keys to enter the time. The maximum time value is 99:99.
3. Press the START/PAUSE or KITCHEN TIMER buttons to confirm the setting. The timer will begin counting down. When the timer is up, an alarm will sound, and the screen will display “TIMER DONE”.
4. Press the KITCHEN TIMER button to disable the alarm.
 - ▶ The kitchen timer is purely a timer, not a clock.
 - ▶ Pressing the CANCEL/STOP button while setting up the timer will cancel it.

MUTE ON/OFF

1. Press the MUTE ON/OFF button again. A beep will sound and the screen will display “MUTE ON” indicating alarms will now be muted.
2. Press the MUTE ON/OFF button once. A beep will sound and the screen will display “MUTE OFF” indicating the alarms will now sound.

POWER

Allows you to adjust to different power levels when cooking your contents and will help prevent overcooking or undercooking. Variable power levels provides versatility in microwave cooking. Selecting a lower power level may allow contents to have enhanced flavors, textures, or appearances. Higher power levels will cook contents faster, but may require more frequent stirring, rotating, or turning over.

Occasional rest periods from cooking the contents will allow the heat to distribute and equalize.

1. Press the POWER button once to set the cooking power of the microwave drawer.
2. Press the number keys or repeatedly press the POWER button to select your desired power level. The default power level is PL-10.
3. Press the TIME COOK button to set the cooking time before.
4. Press the START/PAUSE button to initiate the cooking process. The microwave drawer will be cooking at the set power level.
 - ▶ The power level can be changed during the cooking process. Press the POWER button and the current power will display on the screen for 5 seconds. Press the number keys or repeatedly press the POWER button to select your desired power level.

Level	10	9	8	7	6	5	4	3	2	1
Power	100%	90%	80%	70%	60%	50%	40%	30%	20%	10%
Display	PL-10	PL-9	PL-8	PL-7	PL-6	PL-5	PL-4	PL-3	PL-2	PL-1

Operating Your Appliance

Cooking, Defrosting, and Auto Features

TIME COOK

1. Press the TIME COOK button once for the screen to display “:0”.
2. Enter the desired cooking time with the number keys. The maximum cooking time value is 99:99.
3. Press the START/PAUSE button to start cooking. The cooking time will begin counting down. An alarm will sound and the screen will display “FOOD IS READY” once cooking is finished.
 - ▶ Opening the microwave drawer or pressing the START/PAUSE button while cooking will pause the cooking process.

+30 SEC.

1. Press the +30. SEC button to immediately begin cooking at 100% power for 30 seconds. Each press will increase the cooking timer by 30 seconds. The maximum cooking time value is 99:99.
 - ▶ If using the kitchen timer, pressing the +30 SEC. button will increase the kitchen timer by 30 seconds.
 - ▶ If using the auto menu selections or if defrosting by time, pressing the +30 SEC. button will increase their cooking times by 30 seconds.

EXPRESS COOK (NUMBER KEYS)

Express cook is a quick way to set the cooking time between 1 to 5 minutes using the number keys and is only operable in standby mode.

1. Press the number keys to immediately begin cooking at 100% power in durations within 1 to 5 minutes by selecting 1, 2, 3, 4, or 5 for your respective cooking time. The cooking time will begin counting down.

DEFROST

Allows for efficient and rapid thawing of frozen content over a selected length of time. Once defrosting is complete, the contents should be cool throughout but softened uniformly in all parts. If certain areas are still slightly icy, either return the contents to the microwave drawer or allow it to stand for a few minutes to naturally thaw.

Defrost by Weight

1. Press the DEFROST button once for the screen to display “WEIGHT”.
2. Press the number keys to input the content weight to be defrosted.
3. Press the START/PAUSE button to start defrosting. The defrosting time will begin counting down. Once complete, the alarm will sound and the screen will display “FOOD IS READY”.
 - ▶ The input weight of the contents should be between 0.1lbs - 6.0lbs.
 - ▶ An alarm will sound to remind you to turn the contents over during defrosting.

Defrost by Time

1. Press the DEFROST button twice for the screen to display “TIME”.
2. Press the number keys to input the time to be defrosted. The maximum time value is 99:99.
3. Press the START/PAUSE button to start defrosting. The defrosting time will begin counting down. Once complete, the alarm will sound and the screen will display “FOOD IS READY”.
 - ▶ The default defrosting power is at 30% (PL-3).
 - ▶ An alarm will sound to remind you to turn the contents over during defrosting.

AUTO MENU (BEVERAGE, POPCORN, SOFTEN, MELT)

The auto menu features are pre-programmed settings to simplify cooking or reheating without manually adjusting power levels and cooking times.

Beverage

1. Press the BEVERAGE button once for the screen to display “1 CUP”.
2. Select either the number keys 1 or 2 or press the BEVERAGE button repeatedly to display “1 CUP” or “2 CUPS”.
3. Press the START/PAUSE button to start cooking. The cooking time will begin counting down. Once complete, the alarm will sound and the screen will display “FOOD IS READY”.

Popcorn

1. Press the POPCORN button once for the screen to display “1.75OZ”.
2. Continue pressing the POPCORN button to rotate between the screen displaying “1.75OZ”, “3.00OZ”, or “3.50OZ”.
3. Press the START/PAUSE button to start cooking. The cooking time will begin counting down. Once complete, the alarm will sound and the screen will display “FOOD IS READY”.

Operating Your Appliance

Soften

1. Press the SOFTEN button once. The screen will display “SELECT FOOD TYPE 1-3”.
2. Select either 1, 2, or 3 from the number keys or repeatedly press the SOFTEN button to rotate between the screen displaying “BUTTER”, “ICE-CRE”, or “CHEESE”.
3. Press the START/PAUSE button to confirm the selection.
4. Repeatedly press the SOFTEN button or press 1, 2, or 3 from the number keys to select the weight.
5. Press the START/PAUSE button to start cooking. The cooking time will begin counting down. Once complete, the alarm will sound and the screen will display “FOOD IS READY”.

Menu	Display	Repeated Presses	Weight
Butter	BUTTER	1	1 (STICK)
		2	2 (STICK)
		3	3 (STICK)
Ice Cream/Frozen Juice	ICE-CRE	1	8 oz
		2	16 oz
		3	32 oz
Cream Cheese	CHEESE	1	3 oz
		2	8 oz

Melt

1. Press the MELT button once. The screen will display “SELECT FOOD TYPE 1-4”.
2. Select either 1, 2, 3, or 4 from the number keys or repeatedly press the MELT button to rotate between the screen displaying “BUTTER”, “CHOCOLA”, “CHEESE”, or “MARSHMA”.
3. Press the START/PAUSE button to confirm the selection.
4. Repeatedly press the MELT button or press 1, 2, or 3, to select the weight.
5. Press the START/PAUSE button to start cooking. The cooking time will begin counting down. Once complete, the alarm will sound and the screen will display “FOOD IS READY”.

Menu	Display	Repeated Presses	Weight
Butter/Margarine	BUTTER	1	1(STICK)
		2	2(STICK)
		3	3(STICK)
Chocolate	CHOCOLA	1	4 oz
		2	8 oz
Cheese	CHEESE	1	8 oz
		2	16 oz
Marshmallows	MARSHMA	1	5 oz
		2	10 oz

Sensor Feature

The microwave drawer sensors automatically detect and adjust cooking settings for the contents being cooked. This allows simplification of cooking or reheating without manually adjusting power levels and cooking times.

NOTE: Do not use the sensor features consecutively on the same contents as it could become overcooked or burnt. Allow the microwave drawer to cool for 5-10 minutes before using the sensor feature again. If the contents remain undercooked after the countdown, use the TIME COOK button for additional cooking.

SENSOR REHEAT

1. Press the SENSOR REHEAT button once. The screen will display “SELECT SENSOR FOOD TYPE 1-4”.
2. Select either 1, 2, 3, or 4 from the number keys or repeatedly press the SENSOR REHEAT button to rotate between the screen displaying “PASTA”, “PIZZA”, “PLATE,” or “SOUP”.
3. Press the START/PAUSE button for the microwave drawer to start sensing.
4. Once sensing is complete, the calculated cooking time will begin counting down. The alarm will sound and the screen will display “FOOD IS READY” when cooking is finished.
 - ▶ Do not open the door during the sensing process or else it will be cancelled.
 - ▶ Once the calculated cooking time is displayed, the door can be opened to stir, turn, or rearrange the contents. Close the door and press the START/PAUSE button to resume cooking.

Menu	Display	Repeated Presses	Weight Range
Pasta	PASTA	1	1-4 serving (4 oz/serv)
Pizza	PIZZA	2	1-4 slice (2 oz/slice)
Plate	PLATE	3	1 serving
Soup	SOUP	4	1-4 serving (4 oz/serv)

Operating Your Appliance

SENSOR COOK

1. Press the SENSOR COOK button once. The screen will display “SELECT SENSOR FOOD TYPE 1-7”.
2. Select either 1 - 7 or repeatedly press the SENSOR COOK button to choose between a variety of options: POTATO, CHICKEN, FISH, MEAT, FRES-VE, FROZ-VE, and CANN-VE
3. Press the START/PAUSE button for the microwave drawer to start sensing.
4. Once sensing is complete, the calculated cooking time will begin counting down. The alarm will sound and the screen will display “FOOD IS READY” when cooking is finished.
 - ▶ Do not open the door during the sensing process or else it will be cancelled.
 - ▶ Once the calculated cooking time is displayed, the door can be opened to stir, turn, or rearrange the contents. Close the door and press the START/PAUSE button to resume cooking.

Menu	Display	Repeated Presses	Weight Range
Potato (Sensor)	POTATO	1	1-4 potatoes
Chicken	CHICKEN	2	1-4 serving (4 oz/serv)
Fish	FISH	3	1-4 slice (4 oz/slice)
Ground Meat	MEAT	4	1-4 serving (4 oz/serv)
Fresh Veggies	FRES-VE	5	1-4 serving (4 oz/serv)
Frozen Veggies	FROZ-VE	6	1-4 slice (4 oz/slice)
Canned Veggies	CANN-VE	7	1-4 serving (4 oz/serv)

Other Features

CHILD LOCK

- ▶ To activate the lock, press and hold the CHILD LOCK button for 3 seconds. A beep will sound and the locked icon will display.
- ▶ To deactivate the lock, press and hold the CHILD LOCK button for 3 seconds. A beep will sound and the locked icon will disappear.

ECO MODE

- ▶ ECO mode is defined as an energy saving mode. If there is no operation within 1 minute, the display will dim. Pressing any buttons or opening the door will revert the display to its original brightness.

CHECK FUNCTION

- ▶ While cooking, press the CLOCK button to check the clock. The current time will display until the button is released.
- ▶ While cooking, press the POWER button to check the microwave drawer power level. The current power will display for 5 seconds.

Safe to Microwave Items

Below are a list of items that are considered microwave-safe with proper precautions. If you are unsure of the safety of the item, a test may be performed:

1. Fill a microwave-safe container with 1 cup of cold water along with the item you are testing.
2. Heat both items on maximum power for 1 minute. Do not exceed the 1 minute cooking time.
3. Afterward, carefully feel the item being tested. If the item is warm, do not use it for microwave cooking.

Item	Remarks
Browning dish	Follow manufacturer's instructions. The bottom of the browning dish must be at least 3/16" above the turntable. Incorrect usage may cause the turntable to break.
Dishware	Follow manufacturer's instructions. Use microwave-safe dishware only. Do not use cracked or chipped dishware.
Glass jars	Always remove the lid. Use only to heat food until just warm. Most glass jars are not heat resistant and may break.
Glassware	Use heat-resistant oven glassware only. Make sure there is no metallic trim. Do not use cracked or chipped glassware.
Oven cooking bags	Follow manufacturer's instructions. Do not close with a metal tie. Make slits to allow steam to escape.
Paper plates and cups	Use for short-term cooking and warming only. Do not leave the microwave drawer unattended while cooking.
Paper towel	Use to cover food for reheating and absorbing fat. Use for short-term cooking and warming only.
Parchment paper	Use as a cover to prevent splattering or use as a wrap for steaming.
Wax paper	Use as a cover to prevent splattering.
Plastic items	Follow manufacturer's instructions. Use microwave-safe plastic only. It should be labeled "Microwave Safe". Some plastic items soften as the contents inside gets hot. "Boiling bags" and tightly closed plastic bags should be slit, pierced, or vented as directed by their package instructions.
Thermometers	Use microwave-safe thermometers only (meat and candy thermometers).

Care and Maintenance

Unsafe to Microwave Items

Below are a list of items that are considered unsafe to microwave and should best be avoided to prevent personal injury and damage to the microwave drawer.

Item	Remarks
Aluminum	May cause arcing. Transfer food into a microwave-safe container.
Food carton with metal handle	May cause arcing. Transfer food into a microwave-safe container.
Metal or metal-trimmed containers	Metal shields the food from the microwave energy. Metal trims may cause arcing.
Metal twist ties	May cause arcing and could cause a fire in the microwave drawer.
Paper bags	May cause a fire in the microwave drawer.
Plastic foam	May melt or contaminate contents when exposed to high temperatures.
Wood	May dry out and potentially split or crack.

Cleaning the Unit

Periodic cleaning and proper maintenance will ensure efficiency, top performance, and long life.

Interior Cleaning: Steam

1. Fill a microwave-safe bowl with a mixture of water and a few tablespoons of vinegar or lemon juice.
2. Place the bowl in the microwave drawer and heat for 5-10 minutes to create steam.
3. Let the microwave drawer sit for a few minutes after heating. The steam will help loosen dried-on food contents.
4. With a clean cloth, wipe the interior of the microwave drawer until clean.

Interior Cleaning: Dish Soap

1. Mix a few drops of mild dish soap with warm water.
2. Use a soft sponge to remove greasy splatters.
3. With a clean cloth, wipe the interior of the microwave drawer until clean.

NOTE: Never use a commercial oven cleaner on any part of the microwave drawer.

Exterior Cleaning

The exterior of the microwave drawer can be cleaned with mild detergent and lukewarm water solution such as two (2) tablespoons of baking soda to one (1) quart of water. Do not use solvent based or abrasive cleaners. Use a soft sponge and rinse with clean water. Wipe with a soft clean towel to prevent water spotting. Clean stainless steel with a cloth dampened with a mild detergent and warm water solution. Never use an abrasive or caustic cleaning agent.

Troubleshooting

Possible Problem	Possible Cause	Solutions
The microwave drawer will not operate.	Not plugged in.	Ensure the microwave drawer is plugged in and the power outlet has power.
	The circuit breaker tripped or has a blown fuse.	Replace the broken fuse or reset the breaker.
The microwave drawer is arcing or sparking.	Unsafe materials were used in the microwave drawer.	Use microwave-safe items only.
	The microwave drawer was operated when there were no contents inside.	Do not operate the microwave drawer when it is empty.
	Spilled contents remain in the microwave drawer cavity.	Clean the cavity by following instructions in the Cleaning the Unit section.
Contents are unevenly cooked.	Unsafe materials were used in the microwave drawer.	Use microwave-safe items only.
	Food contents were not completely defrosted.	Completely defrost food contents.
	The cooking time and power level was not suitable.	Use the correct cooking time and power level.
	Food contents were not turned, stirred, or rotated.	Turn, stir, or rotate the food contents and recook.
Contents are overcooked.	The cooking time and power level was not suitable.	Use the correct cooking time and power level.
Contents are undercooked.	Unsafe materials were used in the microwave drawer.	Use microwave-safe items only.
	Food contents were not completely defrosted.	Completely defrost food contents.
	The cooking time and power level was not suitable.	Use the correct cooking time and power level.
	Microwave drawer ventilation ports are restricted.	Check to see that the microwave drawer ventilation ports are not restricted.
Contents are improperly defrosted.	Unsafe materials were used in the microwave drawer.	Use microwave-safe items only.
	The cooking time and power level was not suitable.	Use the correct cooking time and power level.
	Food contents were not turned, stirred, or rotated.	Turn, stir, or rotate the food contents and recook.

Zephyr Ventilation, LLC (referred to herein as “we” or “us”) warrants to the original consumer purchaser (referred to herein as “you” or “your”) of Zephyr products (the “Products”) that such Products will be free from defects in materials or workmanship as follows:

Five Year Limited Warranty for Magnetron: For five years from the date of your original purchase of the Products, we will provide, free of charge, the magnetron to replace the one that failed due to manufacturing defects subject to the exclusions and limitations below.

One Year Limited Warranty for Parts: For one year from the date of your original purchase of the Products, we will provide, free of charge, Products or parts (including light bulbs, if applicable) to replace those that failed due to manufacturing defects subject to the exclusions and limitations below. We may choose, in our sole discretion, to repair or replace parts before we elect to replace the Products.

One Year Limited Warranty for Labor: For one year from the date of your original purchase of the Products, we will provide, free of charge, the labor cost associated with repairing the Products or parts to replace those that failed due to manufacturing defects subject to the exclusions and limitations below.

To Obtain Service Under Limited Warranty: To qualify for warranty service, you must: (a) notify us at www.zephyronline.com/contact within 60 days of discovering the defect; (b) give the model number and serial number; and (c) describe the nature of any defect in the Product or part. At the time of the request for warranty service, you must present evidence of your proof of purchase and proof of the original purchase date. If we determine that the warranty exclusions listed above apply or if you fail to provide the necessary documentation to obtain service, you will be responsible for all shipping, travel, labor and other costs related to the services. This warranty is not extended or restarted upon warranty repair or replacements.

Warranty Exclusions: This warranty covers only repair or replacement, at our option, of defective Products or parts and does not cover any other costs related to the Products including but not limited to: (a) normal maintenance and service required for the Products and consumable parts such as filters, light bulbs, fuses; (b) any Products or parts which have been subject to freight damage, misuse, negligence, accident, faulty installation or installation contrary to recommended installation instructions, improper maintenance or repair (other than by us); (c) commercial or government use of the Products or use otherwise inconsistent with its intended purpose; (d) natural wear of the finish of the Products or wear caused by improper maintenance, use of corrosive and abrasive cleaning products, pads, and oven cleaner products; (e) chips, dents or cracks caused by abuse or misuse of the Products; (f) service trips to your home to teach you how to use the Products; (g) damage to the Products caused by accident, fire, floods, acts of God; or (h) Custom installations or alterations that impact serviceability of the Products. (i) Damage to personal property or food spoilage from use of this product. If you are outside our service area, additional charges may apply for shipping costs for warranty repair at our designated service locations and for the travel cost to have a service technician come to your home to repair, remove or reinstall the Products. After the first year from the date of your original purchase, you are also responsible for all labor costs associated with this warranty. All Products must be installed by a qualified professional installer to be eligible for warranty repairs or service.

Limitations of Warranty: OUR OBLIGATION TO REPAIR OR REPLACE, AT OUR OPTION, SHALL BE YOUR SOLE AND EXCLUSIVE REMEDY UNDER THIS WARRANTY. WE SHALL NOT BE LIABLE FOR INCIDENTAL, CONSEQUENTIAL OR SPECIAL DAMAGES ARISING OUT OF OR IN CONNECTION WITH THE USE OR PERFORMANCE OF THE PRODUCTS. THE EXPRESS WARRANTIES IN THE PRECEDING SECTION ARE EXCLUSIVE AND IN LIEU OF ALL OTHER EXPRESS WARRANTIES. WE HEREBY DISCLAIM AND EXCLUDE ALL OTHER EXPRESS WARRANTIES FOR THE PRODUCTS, AND DISCLAIM AND EXCLUDE ALL WARRANTIES IMPLIED BY LAW, INCLUDING THOSE OF MERCHANTABILITY AND FITNESS FOR A PARTICULAR PURPOSE. Some states or provinces do not allow limitations on the duration of an implied warranty or the exclusion or limitation of incidental or consequential damages, so the above limitations or exclusions may not apply to you. To the extent that applicable law prohibits the exclusion of implied warranties, the duration of any applicable implied warranty is limited to the same two-year and one-year periods described above if permitted by applicable law. Any oral or written description of the Products is for the sole purpose of identifying the Products and shall not be construed as an express warranty. Prior to using, implementing or permitting use of the Products, you shall determine the suitability of the Products for the intended use, and you shall assume all risk and liability whatsoever in connection with such determination. We reserve the right to use functionally equivalent refurbished or reconditioned parts or Products as warranty replacements or as part of warranty service. This warranty is not transferable from the original purchaser and only applies to the consumer residence where the Product was originally installed located in the United States and Canada. This warranty is not extended to resellers.

Please check our website for any additional product information, www.zephyronline.com
For warranty support, contact us at www.zephyronline.com/contact

JUN24.0101

Don't Forget to Register your Zephyr Product!

Congratulations on your Zephyr purchase! Please take a moment to register your new product.

Why is it important?

Prompt registration helps in more ways than one:

- Ensures warranty coverage should you need service
- Ownership verification for insurance purposes
- Notification of product changes or recalls

How about a review?

While you're at it, leave a review to let us know how much you love your product.



Register
zephyronline.com/registration



Review
qrs.ly/c7ea9sj
Search your Zephyr model number in the top navigation bar

ZEPHYR

zephyronline.com | 2277 Harbor Bay Pkwy. | Alameda, CA 94520

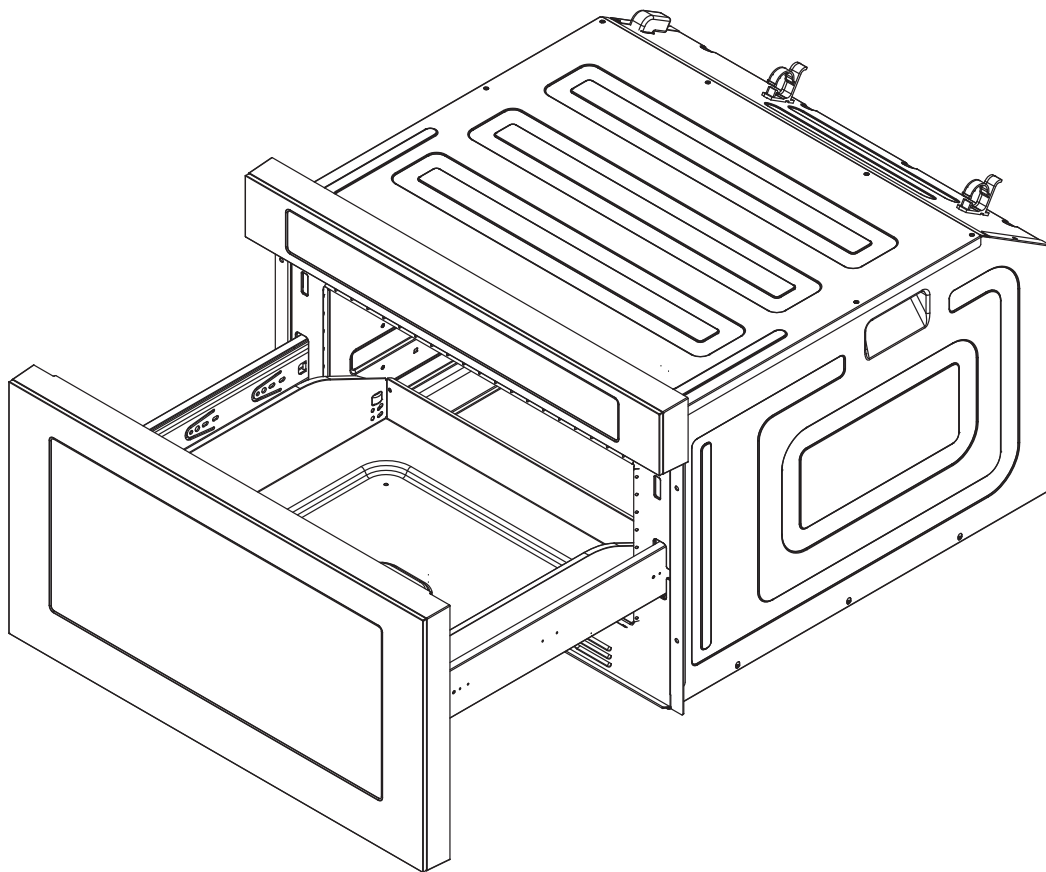
ZEPHYR
WWW.ZEPHYRONLINE.COM

MWD2401AS MWD3001AS

Tiroir micro-ondes

EN Use, Care, and Installation Guide

FR Guide d'utilisation, d'entretien et d'installation



	Page
Informations de sécurité	4-10
Introduction	11
Liste des matériaux	12
Spécifications du produit	13-14
Résumé du produit	13
Identification des pièces	13
Dimensions	14
Instructions d'installation	15-19
Types d'installation.....	15
Exigences de dégagement pour l'installation.....	15
Installation standard.....	16
Installation encastrée	17-18
Instructions de mise à la terre	18
Bloc antibasculement	19
Prise électrique	19
Fonctionnement de votre appareil	20-26
Utilisation du panneau de commande	20-21
Fonctions de cuisson, de décongélation et automatique	22-24
Caractéristique du capteur	25-26
Autres fonctionnalités	26
Entretien et maintenance	27-29
Articles lavables au micro-ondes	27
Articles dangereux pour le micro-ondes.....	28
Nettoyage de l'appareil	29
Dépannage	30
Garantie limitée	31
Enregistrement du produit	32

Votre sécurité et celle des autres sont très importantes.

Nous avons fourni de nombreux messages de sécurité importants dans ce manuel pour votre appareil. Lisez et respectez toujours tous les messages de sécurité.



C'est le symbole d'alerte de sécurité. Ce symbole vous avertit des dangers potentiels pouvant entraîner des blessures corporelles graves, voire la mort. Tous les messages de sécurité suivront le symbole d'alerte de sécurité et les mots « **DANGER** », « **AVERTISSEMENT** » ou « **ATTENTION** ».

 **DANGER** 

Le danger signifie que le non-respect de cette déclaration de sécurité peut entraîner des blessures graves, voire la mort.

 **AVERTISSEMENT** 

Avertissement signifie que le non-respect de cette déclaration de sécurité peut entraîner des dommages importants au produit, des blessures graves, voire la mort.

 **PRUDENCE** 

Attention signifie que le non-respect de cette déclaration de sécurité peut entraîner des blessures mineures ou modérées, des dommages matériels ou matériels.

Pour votre sécurité, lisez attentivement toutes les instructions avant d'utiliser l'appareil.

PRÉCAUTIONS POUR ÉVITER UNE POSSIBLE EXPOSITION À L'ÉNERGIE EXCESSIVE DES MICRO-ONDES

- (a) N'essayez pas de faire fonctionner ce four avec la porte ouverte, car le fonctionnement de la porte ouverte peut entraîner une exposition nocive à l'énergie des micro-ondes. Il est important de ne pas neutraliser ou altérer les verrouillages de sécurité.
- (b) Ne placez aucun objet entre la face avant du four et la porte et ne laissez pas de terre ou de résidus de nettoyage s'accumuler sur les surfaces d'étanchéité.
- (c) N'utilisez pas le four s'il est endommagé. Il est particulièrement important que la porte du four ferme correctement et que les éléments suivants ne soient pas endommagés :
 - (1) porte (pliée)
 - (2) charnières et loquets (cassés ou desserrés)
 - (3) joints de porte et surfaces d'étanchéité
- (d) Le four ne doit être réglé ou réparé que par un personnel de service dûment qualifié.

INSTRUCTIONS DE MISE À LA TERRE

L'appareil doit être mis à la terre. En cas de court-circuit électrique, la mise à la terre réduit le risque de choc électrique en fournissant un fil de fuite pour le courant électrique. Cet appareil est équipé d'un cordon doté d'un fil de terre avec une fiche de mise à la terre. La fiche doit être branchée dans une prise correctement installée et mise à la terre.

Consultez un électricien ou un réparateur qualifié si les instructions de mise à la terre ne sont pas complètement comprises ou si vous avez des doutes quant à la mise à la terre correcte de l'appareil. S'il est nécessaire d'utiliser une rallonge, utilisez uniquement une rallonge à 3 fils dotée d'une fiche à 3 lames mise à la terre et d'une prise à 3 fentes qui acceptera la fiche de l'appareil. La puissance nominale marquée de la rallonge doit être égale ou supérieure à la puissance électrique de l'appareil.

Pour votre sécurité, lisez attentivement toutes les instructions avant d'utiliser l'appareil.



AVERTISSEMENT



Une mauvaise utilisation de la mise à la terre peut entraîner un risque de choc électrique. Ne branchez pas sur une prise tant que l'appareil n'est pas correctement installé et mis à la terre.



DANGER



Toucher certains composants internes peut provoquer des blessures graves, voire la mort. Ne démontez pas cet appareil.

1. Un cordon d'alimentation court est fourni pour réduire les risques résultant de s'emmêler ou de trébucher sur un cordon plus long.
2. Des jeux de cordons ou des rallonges plus longs sont disponibles et peuvent être utilisés si l'on fait preuve de prudence lors de leur utilisation.
3. Si un long cordon ou une rallonge est utilisé :
 1. La puissance électrique indiquée sur le cordon ou la rallonge doit être au moins aussi élevée que la puissance électrique de l'appareil.
 2. La rallonge doit être un cordon à 3 fils avec mise à la terre.
 3. Le cordon le plus long doit être disposé de manière à ce qu'il ne pende pas sur le comptoir ou la table, où il pourrait être tiré par des enfants ou trébucher involontairement.



AVERTISSEMENT



Prop. 65 Avertissement pour les résidents de Californie : ce produit peut contenir des produits chimiques connus par l'État de Californie pour provoquer le cancer, des malformations congénitales ou d'autres problèmes de reproduction.

Pour votre sécurité, lisez attentivement toutes les instructions avant d'utiliser l'appareil.

SÉCURITÉ GÉNÉRALE



Lors de l'utilisation d'appareils électriques, des précautions de sécurité de base doivent être suivies, notamment les suivantes :

- ▶ Lisez toutes les instructions avant d'utiliser l'appareil.
- ▶ Lisez et suivez les instructions spécifiques « PRÉCAUTIONS POUR ÉVITER UNE POSSIBLE EXPOSITION À L'ÉNERGIE EXCESSIVE DES MICRO-ONDES ».
- ▶ Utilisez cet appareil uniquement pour l'usage auquel il est destiné, comme décrit dans ce manuel. N'utilisez pas de produits chimiques ou de vapeurs corrosifs dans cet appareil. Ce four à micro-ondes est spécialement conçu pour chauffer, sécher ou cuire des aliments et n'est pas destiné à un usage en laboratoire ou industriel.
- ▶ Cet appareil doit être réparé uniquement par du personnel de service qualifié. Contactez le centre de service agréé le plus proche pour un examen, une réparation ou un réglage.

INSTALLATION

- ▶ Installez ou localisez cet appareil uniquement conformément aux instructions d'installation fournies.
- ▶ Cet appareil doit être mis à la terre. Connectez-vous uniquement à des prises correctement mises à la terre. Voir « INSTRUCTIONS DE MISE À LA TERRE ».
- ▶ N'utilisez pas cet appareil si son cordon d'alimentation ou sa fiche est endommagé, s'il ne fonctionne pas correctement ou s'il a été endommagé ou est tombé.
- ▶ Gardez le cordon d'alimentation éloigné des surfaces chauffées.
- ▶ Ne plongez pas le cordon d'alimentation ou la fiche dans l'eau.
- ▶ Ne couvrez pas et ne bloquez pas les ouvertures de l'appareil.
- ▶ Ne rangez pas cet appareil à l'extérieur. N'utilisez pas ce produit à proximité de l'eau, par exemple près d'un évier de cuisine, dans un sous-sol humide, près d'une piscine ou dans un endroit similaire.
- ▶ Ne laissez pas le cordon d'alimentation pendre du bord de la table ou du comptoir.

Pour votre sécurité, lisez attentivement toutes les instructions avant d'utiliser l'appareil.

SÉCURITÉ GÉNÉRALE

- ▶ Ne montez pas l'appareil sur ou à proximité d'une partie d'un appareil de chauffage ou de cuisson.
- ▶ Ne pas monter au-dessus d'un évier.

POUR RÉDUIRE LES RISQUES D'INCENDIE DANS LA CAVITÉ

- ▶ Ne faites pas trop cuire les aliments. Surveillez attentivement l'appareil lorsque du papier, du plastique ou d'autres matériaux combustibles sont placés à l'intérieur du four pour faciliter la cuisson.
- ▶ Retirez les attaches métalliques des récipients en papier ou en plastique avant de les placer dans le four.
- ▶ Si des matériaux à l'intérieur du four s'enflamment, gardez la porte du four fermée, éteignez le four et débranchez le cordon d'alimentation, ou coupez l'alimentation au niveau du panneau de fusibles ou de disjoncteurs.
- ▶ Ne stockez aucun matériau dans le four lorsqu'il n'est pas utilisé. Ne laissez pas de produits en papier, d'ustensiles de cuisine ou d'aliments dans la cavité lorsqu'ils ne sont pas utilisés. Toutes les grilles doivent être retirées du four lorsqu'elles ne sont pas utilisées.
- ▶ N'utilisez pas la fonction micro-ondes sans aliments dans le four.

POUR RÉDUIRE LES RISQUES DE BRÛLURES

- ▶ Soyez prudent lorsque vous ouvrez des récipients contenant des aliments chauds. Utilisez des maniques et éloignez la vapeur du visage et des mains.
- ▶ Ventilez, percez ou fendez les récipients, les sachets ou les sacs en plastique pour éviter l'accumulation de pression.
- ▶ **LE CONTENU CHAUD PEUT PROVOQUER DE GRAVES BRÛLURES. NE LAISSEZ PAS LES ENFANTS UTILISER LE MICRO-ONDES.**
- ▶ Soyez prudent lorsque vous retirez des objets chauds.

Pour votre sécurité, lisez attentivement toutes les instructions avant d'utiliser l'appareil.

SÉCURITÉ GÉNÉRALE

EN FONCTIONNEMENT

- ▶ Comme pour tout appareil, une surveillance étroite est nécessaire lorsqu'il est utilisé par des enfants.
- ▶ Assurez-vous que tous les ustensiles de cuisine utilisés dans votre four à micro-ondes sont adaptés au micro-ondes. La plupart des casseroles en verre, plats de cuisson, tasses à mesurer, tasses à crème anglaise, vaisselle en poterie ou en porcelaine qui n'ont pas de garniture métallique ou de vernis avec un éclat métallique peuvent être utilisés conformément aux recommandations des fabricants d'ustensiles de cuisine.
- ▶ Ne rangez rien directement sur la surface du micro-ondes lorsque le micro-ondes est en fonctionnement.
Certains produits tels que les œufs entiers et les récipients fermés – par exemple les bocaux fermés – peuvent exploser et ne doivent pas être chauffés au four à micro-ondes.
- ▶ Ne faites pas trop cuire les pommes de terre. Ils pourraient se déshydrater et prendre feu.
- ▶ Ne couvrez aucune autre partie du four avec du papier d'aluminium. Cela entraînerait une surchauffe du four.
- ▶ Cuire soigneusement la viande et la volaille - la viande jusqu'à une température interne d'au moins 160°F et la volaille jusqu'à une température interne d'au moins 180°F. Cuire à ces températures protège généralement contre les maladies d'origine alimentaire.
- ▶ Ce four n'est ni approuvé ni testé pour une utilisation marine.
- ▶ N'utilisez aucun appareil de chauffage ou de cuisson sous l'appareil.

NETTOYAGE

- ▶ Gardez le four exempt de toute accumulation de graisse.
- ▶ Ne nettoyez pas avec des tampons à récurer métalliques. Des morceaux peuvent brûler le tampon et toucher des pièces électriques, ce qui entraîne un risque de choc électrique.
- ▶ Lors du nettoyage des surfaces de la porte et du four qui se rejoignent lors de la fermeture de la porte, utilisez uniquement des savons doux non abrasifs ou un détergent appliqué avec une éponge ou un chiffon doux.

Pour votre sécurité, lisez attentivement toutes les instructions avant d'utiliser l'appareil.

SÉCURITÉ GÉNÉRALE

EAU SURCHAUFFÉE

- ▶ Les liquides, comme l'eau, le café ou le thé, peuvent surchauffer au-delà du point d'ébullition sans avoir l'air de bouillir. Des bulles ou une ébullition visibles lorsque le récipient est retiré du four à micro-ondes ne sont pas toujours présentes. **CELA POURRAIT PROVOQUER UN LIQUIDE TRÈS CHAUD BOUILLANT SOUDAINEMENT LORSQUE LE RÉCIPIENT EST PERTURBÉ OU QU'UN USTENSILE EST INSÉRÉ DANS LE LIQUIDE.**
- ▶ Pour réduire le risque de blessures corporelles :
 1. Ne surchauffez pas le liquide.
 2. Remuez le liquide avant et à mi-cuisson.
 3. N'utilisez pas de récipients à parois droites et à col étroit.
 4. Après chauffage, laissez le récipient reposer brièvement dans le four à micro-ondes avant de le retirer.
 5. Soyez extrêmement prudent lorsque vous insérez une cuillère ou un autre ustensile dans le récipient.

INTERFÉRENCES RADIO

- ▶ Le fonctionnement du four à micro-ondes peut provoquer des interférences avec votre radio, votre téléviseur ou un équipement similaire.
- ▶ En cas d'interférence, celle-ci peut être réduite ou éliminée en prenant les mesures suivantes :
 1. Nettoyer la porte et la surface d'étanchéité du four.
 2. Réorientez l'antenne de réception de la radio ou de la télévision.
 3. Déplacez le four à micro-ondes par rapport au récepteur.
 4. Éloignez le four à micro-ondes du récepteur.
 5. Branchez le four à micro-ondes dans une prise différente afin que le four à micro-ondes et le récepteur soient sur des circuits de dérivation différents.

Cet appareil est conforme à la partie 18 des règles FCC. (Uniquement pour les États-Unis)

CONSERVEZ CES INSTRUCTIONS

Si vous rencontrez des problèmes, consultez le guide de dépannage à la fin de ce manuel. Il répertorie les causes de problèmes de fonctionnement mineurs que vous pouvez corriger vous-même.

Merci d'avoir acheté votre tiroir micro-ondes Zephyr. Zephyr se consacre au développement de produits qui amélioreront votre style de vie avec une qualité supérieure et des caractéristiques distinctives. Veuillez visiter www.zephyronline.com pour plus d'informations sur votre produit et les autres produits Zephyr.

Ce manuel contient des informations importantes concernant l'installation, l'utilisation et l'entretien appropriés de votre tiroir à micro-ondes. Le respect de ce manuel garantira que votre produit fonctionnera à ses performances et à son efficacité maximales.

Pour vos dossiers

Veuillez noter le numéro de modèle et le numéro de série ci-dessous pour référence future. Les deux numéros se trouvent sur l'étiquette signalétique à l'arrière de votre appareil et à l'intérieur de l'appareil vers le bas de l'armoire et sont nécessaires pour obtenir un service de garantie. Vous souhaitez peut-être également agraffer votre reçu à ce manuel, car il constitue la preuve de votre achat et peut également être nécessaire pour un service sous garantie.

Numéro de modèle:

Numéro de série:

Date d'achat:

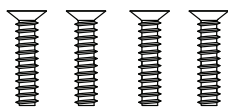
Afin de mieux vous servir, veuillez procéder comme suit avant de contacter le service client :

Si vous avez reçu un produit endommagé, contactez immédiatement le détaillant ou le revendeur qui vous a vendu le produit.

- ▶ Lisez et suivez attentivement ce manuel d'instructions pour vous aider à installer, utiliser et entretenir votre tiroir à micro-ondes.
- ▶ Lisez la section de dépannage de ce manuel car elle vous aidera à diagnostiquer et à résoudre les problèmes courants.
- ▶ Visitez-nous sur le Web à l'adresse <http://www.zephyronline.com> pour télécharger des guides de produits, des ressources de dépannage supplémentaires et des informations à jour.
- ▶ Si vous avez besoin d'un service de garantie, nos sympathiques représentants du service client sont disponibles sur notre site Web à l'adresse <http://zephyronline.com/contact>.

Quantité

Partie



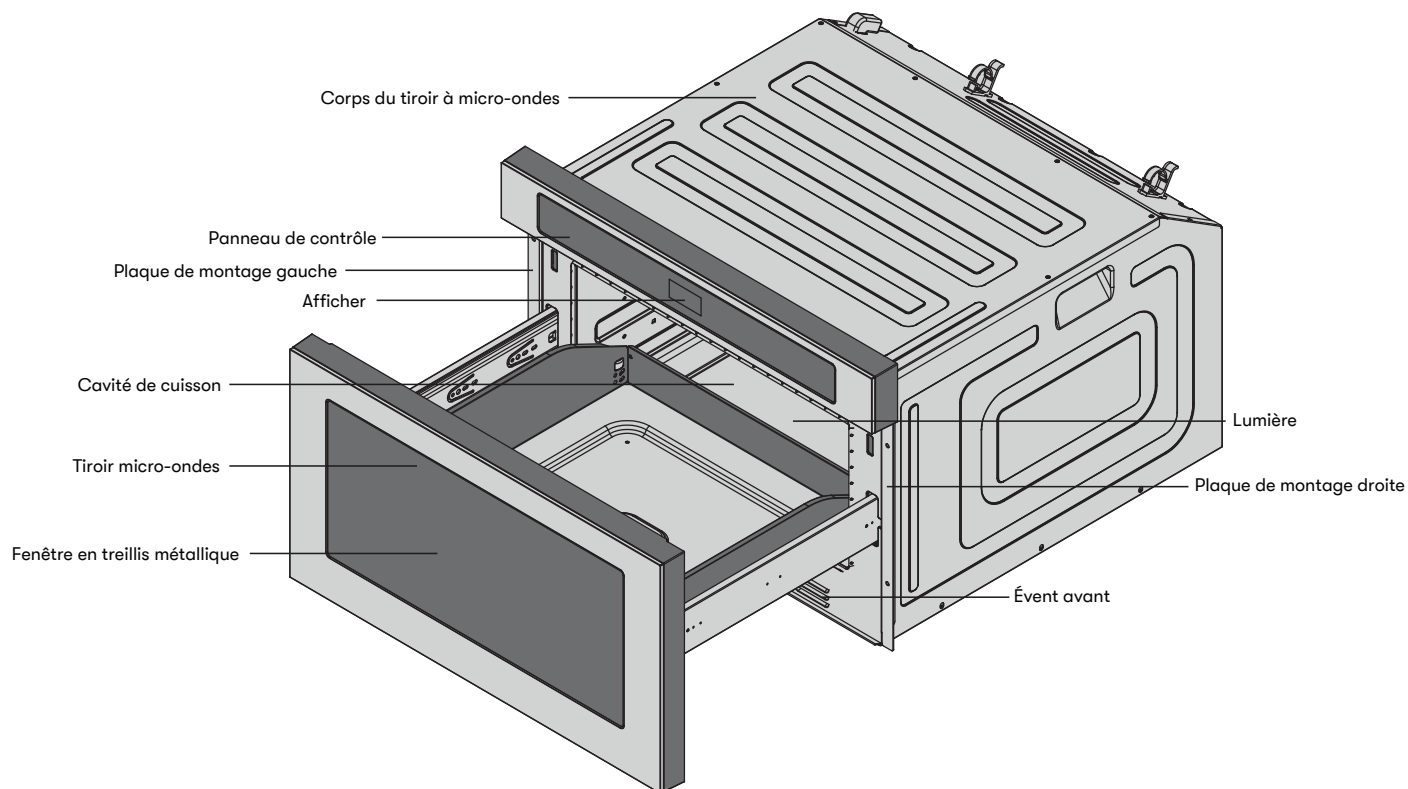
Vis à tête fraisée Philip
M4*16-F

Informations sur le produit

Cet appareil nécessite une prise de terre électrique standard de 120 VCA, 60 Hz.

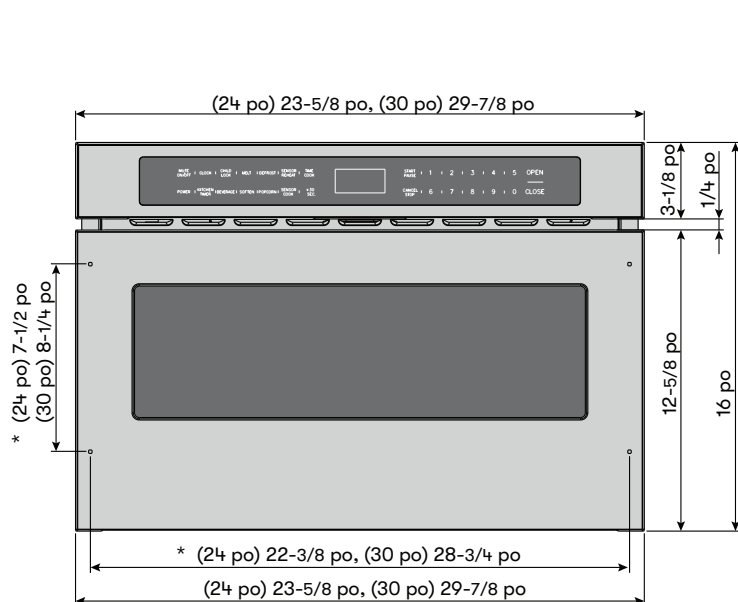
DESCRIPTION DU PRODUIT	Tiroir micro-ondes
POIDS NET (lbs)	(24 po) 69lbs (30 po) 76.2lbs
TENSION/FRÉQUENCE	120VAC, 60Hz
INTENSITÉ DE COURANT	15A
ENTRÉE NOMINALE	1500W
PUISSANCE NOMINALE	1000W
COULEUR	Acier inoxydable
CAPACITÉ DE STOCKAGE	1,2 pied cube.
DIMENSIONS (HxLxP)	(24 po) 16 po X 23-5/8 po X 23-1/4 po (30 po) 16 po X 29-7/8 po X 23-1/4 po

Identification des pièces

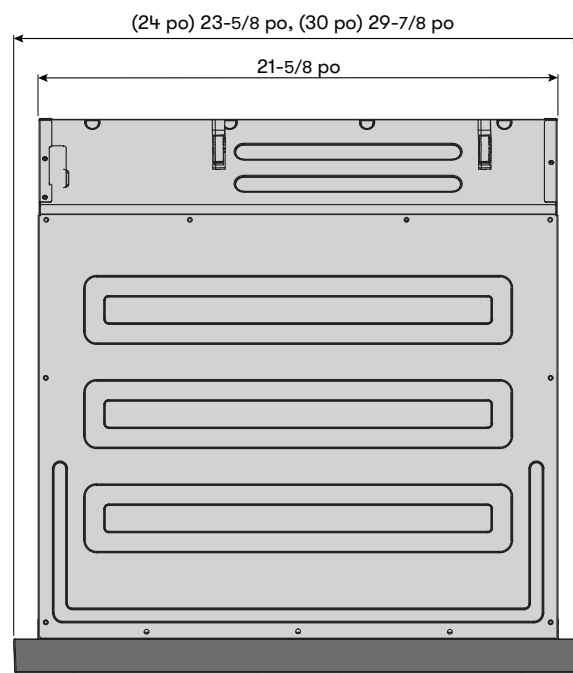


Spécifications du produit

Dimensions

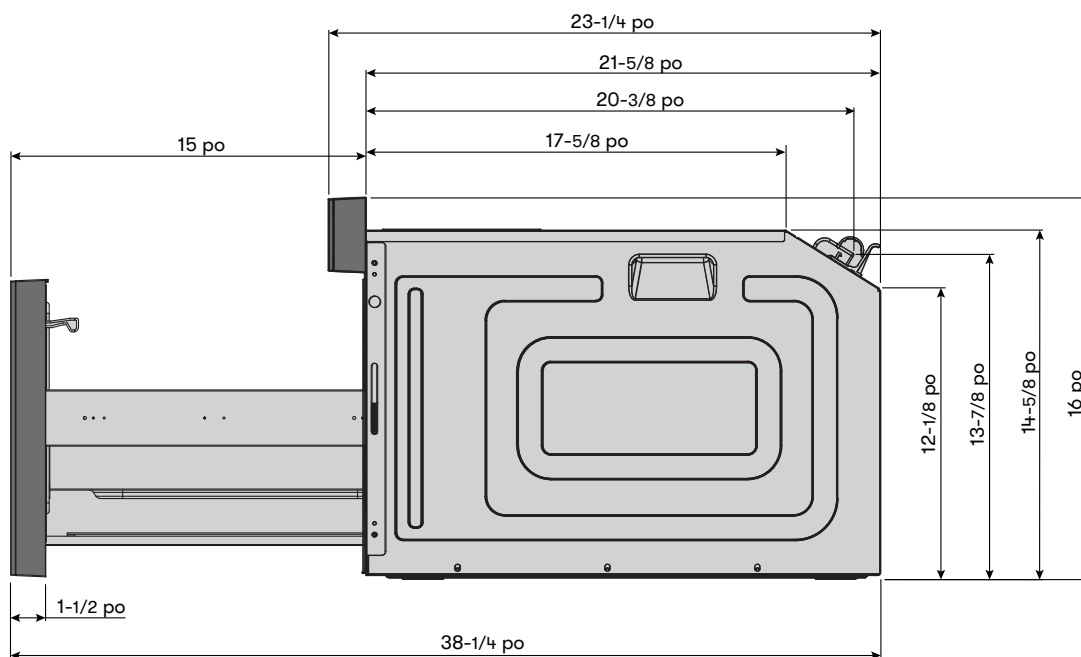


* Mesure des trous de vis de montage. Non visible de l'extérieur.



Vue de face

Vue de dessus



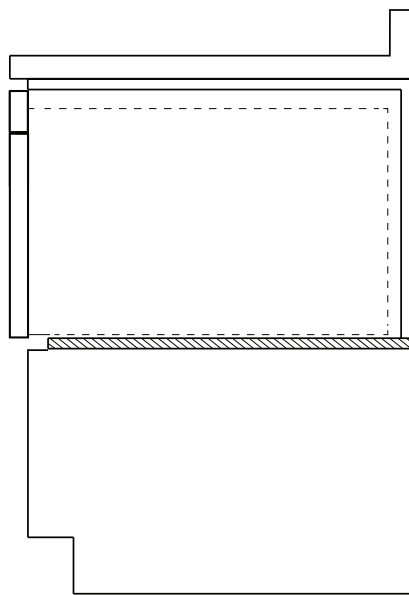
Vue de côté

REMARQUES: La hauteur interne utilisable est de 7-1/8 po, et la largeur et la profondeur internes utilisables sont de 16-1/4 po. Les mesures internes utilisables déterminent le contenu qui peut tenir dans le tiroir du micro-ondes pour la cuisson.

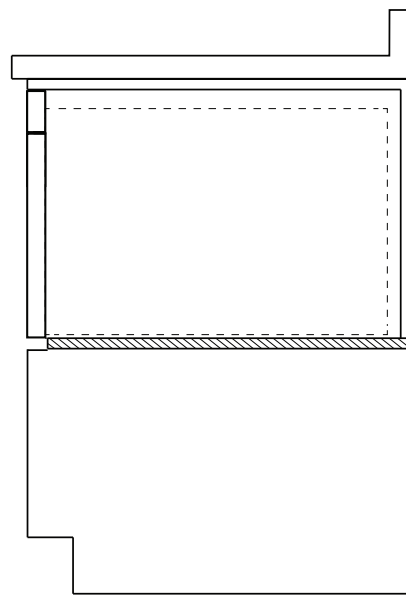
Types d'installation

Le tiroir pour micro-ondes peut être intégré dans une armoire, un mur autonome ou sous un four mural à gaz ou électrique où une installation standard et une installation encastrée sont disponibles.

- ▶ L'installation standard est une installation fière et debout, ce qui signifie qu'elle sera exposée et placée en avant des armoires ou du comptoir environnants.
- ▶ L'installation encastrée se produit lorsque le tiroir du micro-ondes est affleurant ou sur le même plan que les armoires ou le comptoir environnants.



Vue latérale de l'installation standard



Vue latérale de l'installation encastrée

Exigences de dégagement pour l'installation

Lors de l'installation du tiroir à micro-ondes dans un comptoir, suivez les dimensions d'espacement recommandées indiquées. Les dimensions données fournissent un dégagement minimum.

- ▶ Assurez-vous que l'espace libre au sol entre le four mural et le tiroir du micro-ondes est d'au moins 2 po.
- ▶ Le cordon d'alimentation est situé à l'arrière de l'unité et a une longueur de 51-1/8 po pour s'adapter à plusieurs emplacements de prise, y compris l'installation dans une armoire adjacente. Le trou d'accès au cordon d'alimentation doit avoir un diamètre minimum de 1-1/2 po et être dépourvu de bords tranchants.
- ▶ La surface de contact doit être solide et plane. Le plancher de l'ouverture doit être construit en contreplaqué suffisamment solide pour supporter le poids du four (environ 100 lb).
- ▶ Ce tiroir pour micro-ondes peut être entièrement intégré aux armoires et ne nécessite aucun dégagement supplémentaire en dehors de celui référencé.

Instructions d'installation

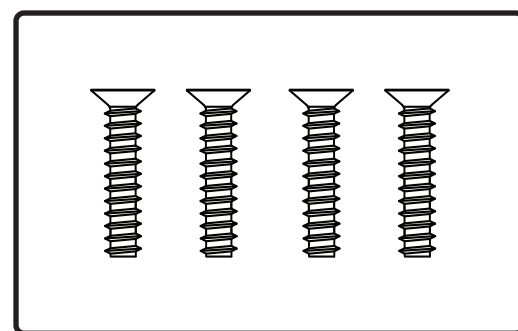
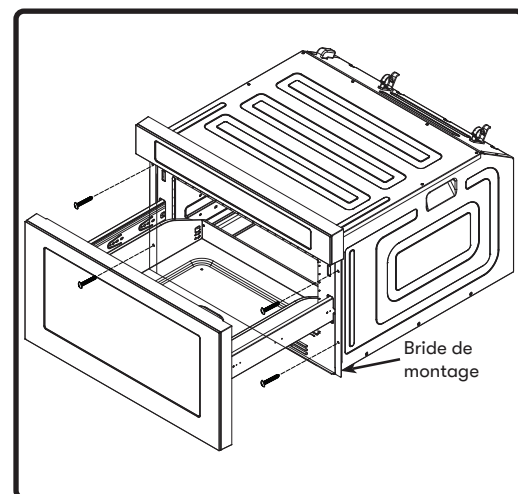
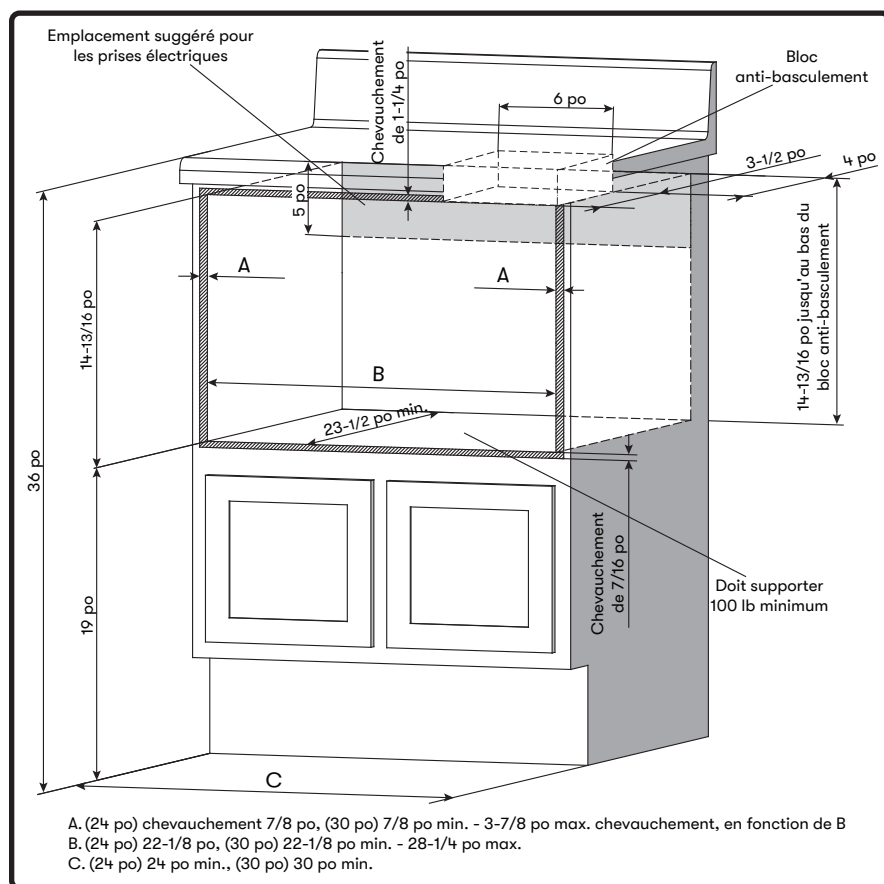
FOUR MICRO ONDE

TIROIR

Installation standard

Veuillez suivre attentivement les instructions ci-dessous pour installer correctement le tiroir à micro-ondes via une installation standard. Une installation standard fera que la porte dépassera légèrement de l'armoire.

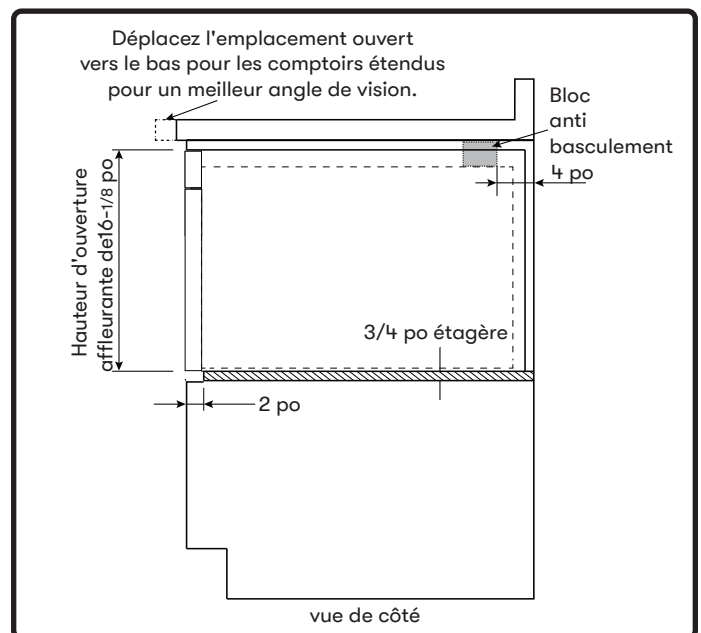
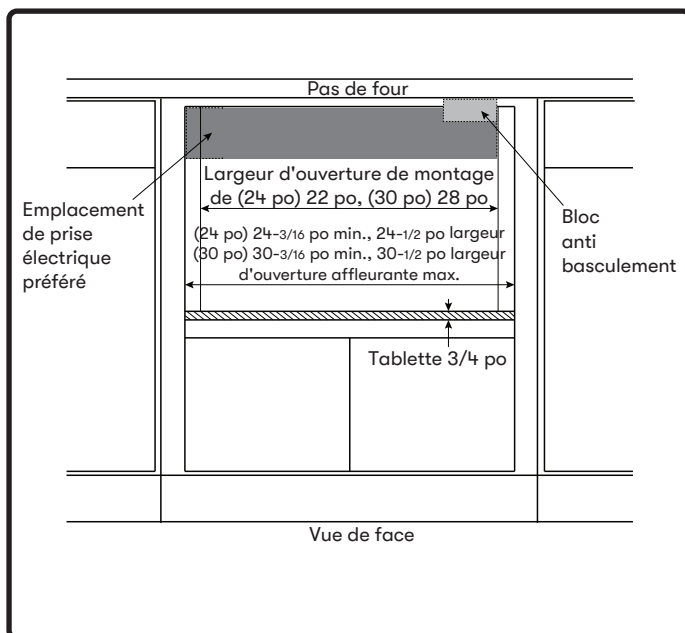
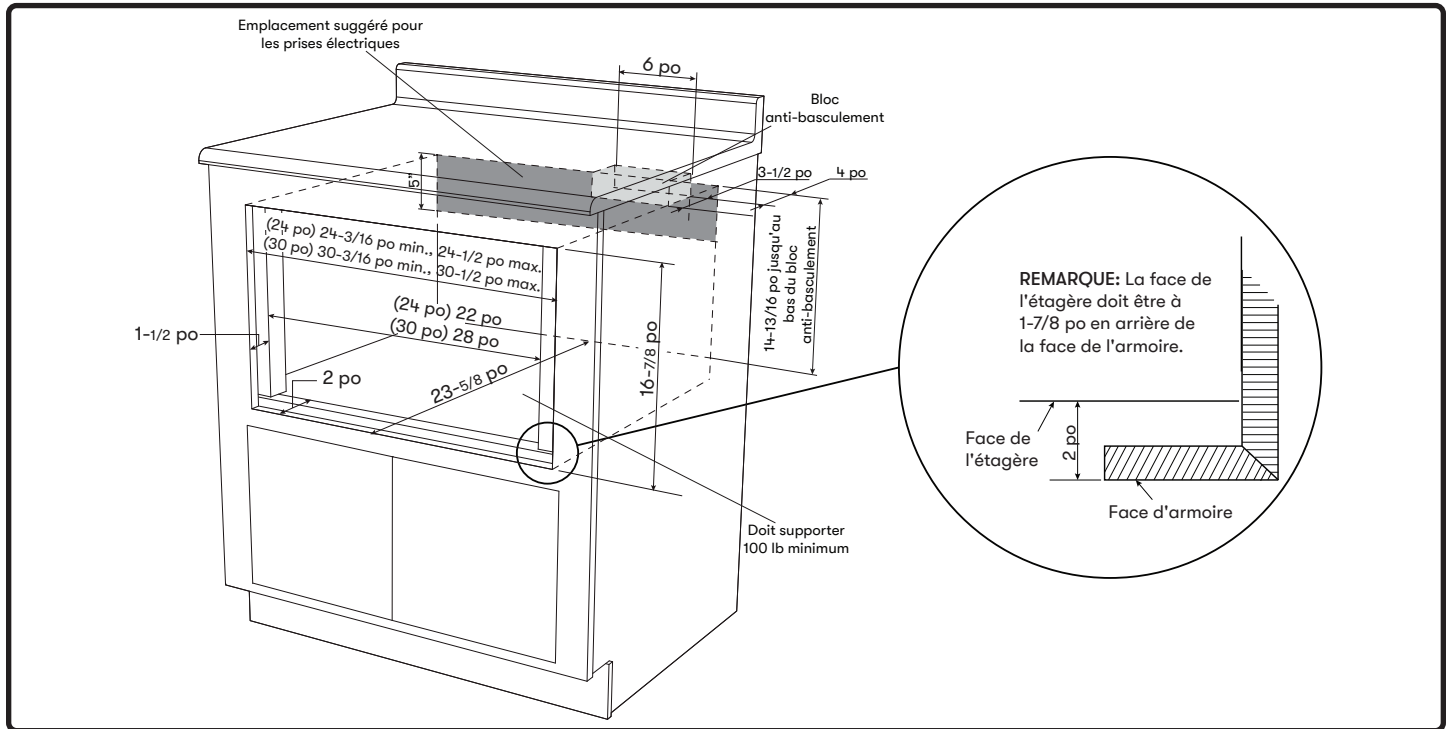
1. Placez le tiroir du micro-ondes à côté de l'ouverture du mur ou de l'armoire. Branchez le câble d'alimentation dans la prise électrique.
2. Guidez soigneusement le tiroir du micro-ondes dans l'ouverture préparée. Évitez de coincer le câble d'alimentation entre le tiroir du micro-ondes et le mur.
3. Faites glisser le tiroir du micro-ondes jusqu'à ce que la bride de montage affleure la face de l'armoire.
4. Ouvrez le tiroir du micro-ondes. Utilisez les 4 trous sur le tiroir du micro-ondes pour guider le perçage du meuble à l'aide d'un foret de 1/16 po.
5. Fixez le tiroir avec (4) vis à tête fraisée Philip M4*16-F.



Installation encastrée

Veuillez suivre attentivement les instructions ci-dessous pour installer correctement le tiroir du micro-ondes au ras du meuble.

1. Préparez l'ouverture de l'armoire comme indiqué ci-dessous.



Installation encastrée

2. Placez le tiroir du micro-ondes à côté du mur ou du meuble. Branchez le cordon d'alimentation dans la prise électrique. Le cordon d'alimentation peut également être installé à l'aide d'une prise électrique dans une armoire adjacente.
3. Enroulez (ne pas attacher) une ficelle de 36 pouces autour du cordon d'alimentation avant de glisser le tiroir en place. Cette ficelle empêchera le cordon de tomber derrière le tiroir.
4. Soulevez le tiroir du micro-ondes dans la découpe du meuble en utilisant l'ouverture comme poignée. Guidez soigneusement le tiroir du micro-ondes dans l'ouverture préparée.
5. Lorsque le tiroir du micro-ondes est glissé vers l'arrière, tirez sur la ficelle pour que le cordon repose sur le dessus du tiroir dans une boucle naturelle et évitez de pincer le cordon entre le tiroir et le mur.
6. Une fois le cordon retiré, faites glisser le tiroir aux 3/4 dans l'ouverture. Retirez la ficelle en tirant sur une extrémité de la boucle.
7. Faites glisser le tiroir du micro-ondes complètement vers l'arrière jusqu'à ce que les brides de montage affleurent la face de l'armoire.
8. Ouvrez le tiroir du micro-ondes. Utilisez les 4 trous sur le tiroir du micro-ondes pour guider le pré-perçage du meuble à l'aide d'un foret de 1/16 po. Reportez-vous à l'image à la page 16.
9. Fixez le tiroir avec (4) vis à tête fraisée Philip M4*16-F.

Instructions de mise à la terre

Cet appareil doit être mis à la terre. Le tiroir du micro-ondes est équipé d'un cordon doté d'un fil de terre avec une fiche de mise à la terre. Il doit être branché sur une prise murale correctement installée et mise à la terre conformément au Code national de l'électricité et aux codes et ordonnances locaux. En cas de court-circuit électrique, la mise à la terre réduit le risque de choc électrique en fournissant un fil de fuite pour le courant électrique.

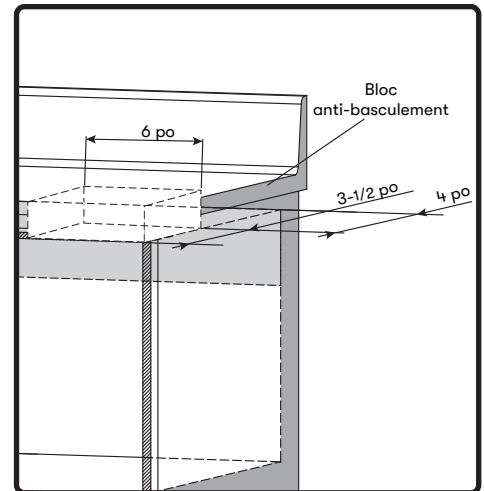


Une mauvaise utilisation de la fiche de mise à la terre peut entraîner des risques de chocs électriques.

Bloc anti-basculement

Pour réduire le risque de basculement du tiroir du micro-ondes et de blessures graves, le bloc anti-basculement doit être correctement installé. Le bloc anti-basculement doit être installé à 14-13/16 po au-dessus de la zone où reposera le tiroir du micro-ondes. Lorsqu'elles sont installées au mur, assurez-vous que les vis pénètrent complètement dans la cloison sèche et sont entièrement fixées dans le bois ou le métal afin que le bloc anti-basculement soit complètement stable.

REMARQUES: Si le tiroir du micro-ondes est déplacé vers un autre emplacement, le bloc anti-basculement doit également être déplacé et réinstallé avec lui.



PRUDENCE



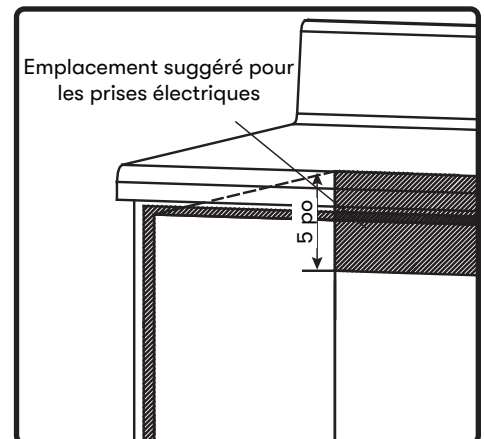
Lors de la fixation du bloc anti-basculement, assurez-vous que les vis ne pénètrent pas dans les câbles électriques ou la plomberie.

Prise électrique

Les exigences électriques sont une alimentation électrique protégée de 120 V CA, 60 Hz, 15 ampères ou plus. Il est recommandé de prévoir un circuit séparé desservant uniquement cet appareil. Le tiroir est équipé d'une fiche de mise à la terre à 3 broches et doit être branché sur une prise murale correctement installée et mise à la terre. Si vous ne disposez que d'une prise à 2 broches, il est de votre responsabilité d'installer une prise murale appropriée.

Le tiroir à micro-ondes peut également être installé à l'aide d'une prise électrique dans une armoire adjacente dans la zone où le cordon électrique fourni peut atteindre. Vérifiez toujours les codes électriques pour connaître les exigences.

REMARQUES: N'utilisez pas de rallonges ou de fiches d'adaptateur avec cet appareil.



AVERTISSEMENT



Le câblage électrique doit être effectué par une ou plusieurs personnes qualifiées conformément à tous les codes et normes applicables. Coupez l'alimentation électrique à l'entrée de service avant le câblage.

Utilisation du panneau de configuration



MODE VEILLE

Lorsque le tiroir du micro-ondes est branché pour la première fois sur une prise, une alarme retentit. L'écran affichera « BIENVENUE ». Ensuite, le tiroir du micro-ondes passe par défaut en mode veille. Le mode veille est défini comme étant inactif et non utilisé pour la cuisson.

L'écran affichera « 00:00 ». En mode veille, l'écran affichera l'heure actuelle si l'horloge a été réglée. Sinon, « 00:00 » s'affichera.

OPEN ET CLOSE

Vous permet d'ouvrir et de fermer facilement le tiroir du micro-ondes.

1. Appuyez sur le bouton OPEN pour ouvrir le tiroir du micro-ondes. L'écran affichera « OUVERT ».
2. Appuyez sur le bouton FERMER pour fermer le tiroir du micro-ondes. L'écran affichera « FERMER ». L'écran affichera l'heure actuelle ou « 00:00 » lorsque le tiroir du micro-ondes sera complètement fermé. Pousser manuellement pour fermer le tiroir du micro-ondes est également acceptable.

REMARQUES: Le tiroir du micro-ondes s'ouvre automatiquement en appuyant sur le bouton OPEN et se ferme automatiquement en appuyant sur le bouton CLOSE. Cependant, appuyer sur le bouton OPEN ou CLOSE pendant ce processus empêchera la porte de s'ouvrir ou de se fermer. En appuyant à nouveau sur le bouton OUVERT ou FERMETURE, le processus reprendra.

CLOCK

L'horloge affiche l'heure sur 12 heures et ne peut être réglée qu'en mode veille. Pour réinitialiser l'horloge, répétez les étapes ci-dessous :

1. Appuyez sur le bouton CLOCK et l'écran affichera « 12:00 ».
2. Appuyez sur les touches numériques pour saisir l'heure correcte. L'heure de saisie doit être comprise entre 1:00 et 12:59.
3. Appuyez sur CLOCK ou START/PAUSE pour terminer le réglage, indiqué par un « : » clignotant.
 - ▶ En appuyant sur le bouton CANCEL/STOP ou en attendant une minute pendant le réglage de l'horloge, le tiroir à micro-ondes reviendra à son heure précédente.

KITCHEN TIMER

Vous permet de suivre la cuisson sur une période prolongée.

1. Appuyez une fois sur le bouton KITCHEN TIMER pour que l'écran affiche « 00:00 ».
2. Appuyez sur les touches numériques pour saisir l'heure. La valeur de temps maximale est de 99:99.
3. Appuyez sur les boutons START/PAUSE ou KITCHEN TIMER pour confirmer le réglage. Le compte à rebours commencera. Lorsque la minuterie est écoulée, une alarme retentit et l'écran affiche « TIMER DONE ».
4. Appuyez sur le bouton KITCHEN TIMER pour désactiver l'alarme.
 - ▶ Le minuteur de cuisine est purement un minuteur, pas une horloge.
 - ▶ Appuyer sur le bouton CANCEL/STOP pendant la configuration de la minuterie l'annulera.

MUTE ON/OFF

1. Appuyez à nouveau sur le bouton MUTE ON/OFF. Un bip retentira et l'écran affichera « MUTE ON » indiquant que les alarmes seront désormais mises en sourdine.
2. Appuyez une fois sur le bouton MUTE ON/OFF. Un bip retentira et l'écran affichera « MUTE OFF » indiquant que les alarmes vont maintenant retentir.

POWER

Vous permet de vous ajuster à différents niveaux de puissance lors de la cuisson de votre contenu et aidera à éviter une cuisson excessive ou insuffisante. Les niveaux de puissance variables offrent une polyvalence dans la cuisson aux micro-ondes. La sélection d'un niveau de puissance inférieur peut permettre au contenu d'avoir des saveurs, des textures ou des apparences améliorées. Des niveaux de puissance plus élevés cuiront le contenu plus rapidement, mais peuvent nécessiter une agitation, une rotation ou un retournement plus fréquent.

Des périodes de repos occasionnelles après la cuisson du contenu permettront à la chaleur de se répartir et de s'égaliser.

1. Appuyez une fois sur le bouton POWER pour régler la puissance de cuisson du tiroir à micro-ondes.
2. Appuyez sur les touches numériques ou appuyez plusieurs fois sur le bouton POWER pour sélectionner le niveau de puissance souhaité. Le niveau de puissance par défaut est PL-10.
3. Appuyez sur le bouton TIME COOK pour régler le temps de cuisson avant.
4. Appuyez sur le bouton START/PAUSE pour lancer le processus de cuisson. Le tiroir du micro-ondes cuisinera au niveau de puissance réglé.
 - ▶ Le niveau de puissance peut être modifié pendant le processus de cuisson. Appuyez sur le bouton POWER et la puissance actuelle s'affichera sur l'écran pendant 5 secondes. Appuyez sur les touches numériques ou appuyez plusieurs fois sur le bouton POWER pour sélectionner le niveau de puissance souhaité.

Niveau	10	9	8	7	6	5	4	3	2	1
Pouvoir	100%	90%	80%	70%	60%	50%	40%	30%	20%	10%
Afficher	PL-10	PL-9	PL-8	PL-7	PL-6	PL-5	PL-4	PL-3	PL-2	PL-1

Fonctions de cuisson, de décongélation et automatique

TIME COOK

1. Appuyez une fois sur le bouton TIME COOK pour que l'écran affiche « :0 ».
2. Saisissez le temps de cuisson souhaité à l'aide des touches numériques. La valeur maximale du temps de cuisson est de 99:99.
3. Appuyez sur le bouton START/PAUSE pour démarrer la cuisson. Le temps de cuisson commencera à décompter. Une alarme retentira et l'écran affichera « FOOD IS READY » une fois la cuisson terminée.
 - ▶ Ouvrir le tiroir du micro-ondes ou appuyer sur le bouton START/PAUSE pendant la cuisson mettra le processus de cuisson en pause.

+30 SEC.

1. Appuyez sur le +30. Bouton SEC pour lancer immédiatement la cuisson à 100% de puissance pendant 30 secondes. Chaque pression augmentera la minuterie de cuisson de 30 secondes. La valeur maximale du temps de cuisson est de 99:99.
 - ▶ Si vous utilisez la minuterie de cuisine, appuyez sur +30 SEC. Le bouton augmentera la minuterie de la cuisine de 30 secondes.
 - ▶ Si vous utilisez les sélections du menu automatique ou si vous décongelez selon le temps, appuyez sur la touche +30 SEC. Le bouton augmentera leurs temps de cuisson de 30 secondes.

CUISSON EXPRESS (TOUCHES NUMÉRIQUES)

La cuisson express est un moyen rapide de régler le temps de cuisson entre 1 et 5 minutes à l'aide des touches numériques et ne fonctionne qu'en mode veille.

1. Appuyez sur les touches numériques pour commencer immédiatement la cuisson à 100 % de puissance pendant 1 à 5 minutes en sélectionnant 1, 2, 3, 4 ou 5 pour votre temps de cuisson respectif. Le temps de cuisson commencera à décompter.

DEFROST

Permet une décongélation efficace et rapide du contenu congelé sur une durée sélectionnée. Une fois la décongélation terminée, le contenu doit être entièrement froid mais ramolli uniformément dans toutes les parties. Si certaines zones sont encore légèrement glacées, remettez le contenu dans le tiroir du micro-ondes ou laissez-le reposer quelques minutes pour qu'il décongèle naturellement.

Décongeler en poids

1. Appuyez une fois sur le bouton DEFROST pour que l'écran affiche « WEIGHT ».
 2. Appuyez sur les touches numériques pour saisir le poids du contenu à décongeler.
 3. Appuyez sur le bouton START/PAUSE pour démarrer la décongélation. Le temps de décongélation commencera à compter à rebours. Une fois terminé, l'alarme retentira et l'écran affichera « FOOD IS READY ».
- ▶ Le poids d'entrée du contenu doit être compris entre 0,1 lb et 6,0 lb.
 - ▶ Une alarme retentira pour vous rappeler de retourner le contenu pendant la décongélation.

Dégivrage par heure

1. Appuyez deux fois sur le bouton DEFROST pour que l'écran affiche « TIME ».
2. Appuyez sur les touches numériques pour saisir l'heure de décongélation. La valeur de temps maximale est de 99:99.
3. Appuyez sur le bouton START/PAUSE pour démarrer la décongélation. Le temps de décongélation commencera à compter à rebours. Une fois terminé, l'alarme retentira et l'écran affichera « FOOD IS READY ».
 - ▶ La puissance de dégivrage par défaut est de 30 % (PL-3).
 - ▶ Une alarme retentira pour vous rappeler de retourner le contenu pendant la décongélation.

MENU AUTO (BOISSONS, POPCORN, RAMOLLER, FAIRE)

Les fonctionnalités du menu automatique sont des paramètres préprogrammés pour simplifier la cuisson ou le réchauffage sans ajuster manuellement les niveaux de puissance et les temps de cuisson.

Beverage

1. Appuyez une fois sur le bouton BOISSON pour que l'écran affiche « 1 CUP ».
2. Sélectionnez les touches numériques 1 ou 2 ou appuyez plusieurs fois sur le bouton BEVERAGE pour afficher « 1 CUP » ou « 2 CUPS ».
3. Appuyez sur le bouton START/PAUSE pour démarrer la cuisson. Le temps de cuisson commencera à décompter. Une fois terminé, l'alarme retentira et l'écran affichera « FOOD IS READY ».

Popcorn

1. Appuyez une fois sur le bouton POPCORN pour que l'écran affiche « 1,75 OZ ».
2. Continuez à appuyer sur le bouton POPCORN pour basculer entre l'écran affichant « 1,75 OZ », « 3,0 OZ » ou « 3,5 OZ ».
3. Appuyez sur le bouton START/PAUSE pour démarrer la cuisson. Le temps de cuisson commencera à décompter. Une fois terminé, l'alarme retentira et l'écran affichera « FOOD IS READY ».

Fonctionnement de votre appareil

FOUR MICRO ONDE

TIROIR

Soften

1. Appuyez une fois sur le bouton SOFTEN. L'écran affichera « SELECT FOOD TYPE 1-3 ».
2. Sélectionnez 1, 2 ou 3 à partir des touches numériques ou appuyez plusieurs fois sur le bouton ADOUCIR pour basculer entre l'écran affichant « BUTTER », « ICE-CRE » ou « CHEESE ».
3. Appuyez sur le bouton START/PAUSE pour confirmer la sélection.
4. Appuyez plusieurs fois sur le bouton ADOUCIR ou appuyez sur 1, 2 ou 3 à partir des touches numériques pour sélectionner le poids.
5. Appuyez sur le bouton START/PAUSE pour démarrer la cuisson. Le temps de cuisson commencera à décompter. Une fois terminé, l'alarme retentira et l'écran affichera « FOOD IS READY ».

Menu	Afficher	Appuis répétés	Poids
Beurre	BUTTER	1	1 (STICK)
		2	2 (STICK)
		3	3 (STICK)
Crème glacée et jus surgelés	ICE-CRE	1	8 oz
		2	16 oz
		3	32 oz
Fromage Frais	CHEESE	1	3 oz
		2	8 oz

Melt

1. Appuyez une fois sur le bouton MELT. L'écran affichera « SELECT FOOD TYPE 1-4 ».
2. Sélectionnez 1, 2, 3 ou 4 à partir des touches numériques ou appuyez plusieurs fois sur le bouton MELT pour basculer entre l'écran affichant « BUTTER », « CHOCOLA », « CHEESE » ou « MARSHMA ».
3. Appuyez sur le bouton START/PAUSE pour confirmer la sélection.
4. Appuyez plusieurs fois sur le bouton MELT ou appuyez sur 1, 2 ou 3 pour sélectionner le poids.
5. Appuyez sur le bouton START/PAUSE pour démarrer la cuisson. Le temps de cuisson commencera à décompter. Une fois terminé, l'alarme retentira et l'écran affichera « FOOD IS READY ».

Menu	Afficher	Appuis répétés	Poids
Beurre et Margarine	BUTTER	1	1(STICK)
		2	2(STICK)
		3	3(STICK)
Chocolat	CHOCOLA	1	4 oz
		2	8 oz
Fromage	CHEESE	1	8 oz
		2	16 oz
Guimauves	MARSHMA	1	5 oz
		2	10 oz

Fonctionnalité du capteur

Les capteurs du tiroir à micro-ondes détectent et ajustent automatiquement les paramètres de cuisson en fonction du contenu en cours de cuisson. Cela permet de simplifier la cuisson ou le réchauffage sans ajuster manuellement les niveaux de puissance et les temps de cuisson.

REMARQUE : N'utilisez pas les fonctions du capteur de manière consécutive sur le même contenu, car il pourrait devenir trop cuit ou brûlé. Laissez le tiroir du micro-ondes refroidir pendant 5 à 10 minutes avant d'utiliser à nouveau la fonction capteur. Si le contenu reste insuffisamment cuit après le compte à rebours, utilisez le bouton TIME COOK pour une cuisson supplémentaire.

SENSOR REHEAT

1. Appuyez une fois sur le bouton SENSOR REHEAT. L'écran affichera « SELECT SENSOR FOOD TYPE 1-4 ».
2. Sélectionnez 1, 2, 3 ou 4 à partir des touches numériques ou appuyez plusieurs fois sur le bouton SENSOR REHEAT pour basculer entre l'écran affichant « PASTA », « PIZZA », « PLATE » ou « SOUP ».
3. Appuyez sur le bouton START/PAUSE du tiroir à micro-ondes pour commencer la détection. Une fois la détection terminée, le temps de cuisson calculé commencera le compte à rebours.
4. L'alarme retentira et l'écran affichera « FOOD IS READY » lorsque la cuisson est terminée.
 - N'ouvrez pas la porte pendant le processus de détection, sinon il sera annulé.
 - Une fois le temps de cuisson calculé affiché, la porte peut être ouverte pour remuer, retourner ou réorganiser le contenu. Fermez la porte et appuyez sur le bouton START/PAUSE pour reprendre la cuisson.

Menu	Afficher	Appuis répétés	Échelle de poids
Pâtes	PASTA	1	1 à 4 portions (4 oz/portion)
Pizza	PIZZA	2	1 à 4 tranches (2 oz/tranche)
Plaque	PLATE	3	1 portion
Soupe	SOUP	4	1 à 4 portions (4 oz/portion)

SENSOR COOK

1. Appuyez une fois sur le bouton CUISSON PAR CAPTEUR. L'écran affichera « SELECT SENSOR FOOD TYPE 1-7 ».
2. Sélectionnez entre 1 et 7 ou appuyez plusieurs fois sur le bouton SENSOR COOK pour choisir entre une variété d'options : POTATO, CHICKEN, FISH, MEAT, FRES-VE, FROZ-VE et CANN-VE.
3. Appuyez sur le bouton START/PAUSE du tiroir à micro-ondes pour commencer la détection.
4. Une fois la détection terminée, le temps de cuisson calculé commencera le compte à rebours. L'alarme retentira et l'écran affichera « FOOD IS READY » lorsque la cuisson est terminée.
 - ▶ N'ouvrez pas la porte pendant le processus de détection, sinon il sera annulé.
 - ▶ Une fois le temps de cuisson calculé affiché, la porte peut être ouverte pour remuer, retourner ou réorganiser le contenu. Fermez la porte et appuyez sur le bouton START/PAUSE pour reprendre la cuisson.

Menu	Afficher	Appuis répétés	Échelle de poids
Pomme de terre (capteur)	POTATO	1	1-4 pommes de terre
Poulet	CHICKEN	2	1 à 4 portions (4 oz/portion)
Poisson	FISH	3	1 à 4 tranches (4 oz/tranche)
Viande hachée	MEAT	4	1 à 4 portions (4 oz/portion)
Légumes frais	FRES-VE	5	1 à 4 portions (4 oz/portion)
Légumes surgelés	FROZ-VE	6	1 à 4 tranches (4 oz/tranche)
Légumes en conserve	CANN-VE	7	1 à 4 portions (4 oz/portion)

Autres caractéristiques

VERROUILLAGE ENFANT

- ▶ Pour activer le verrouillage, maintenez enfoncé le bouton CHILD LOCK pendant 3 secondes. Un bip retentira et l'icône verrouillée s'affichera.
- ▶ Pour désactiver le verrouillage, maintenez enfoncé le bouton CHILD LOCK pendant 3 secondes. Un bip retentira et l'icône verrouillée disparaîtra.

MODE ÉCOLOGIQUE

- ▶ Le mode ECO est défini comme un mode d'économie d'énergie. S'il n'y a aucune opération dans un délai d'une minute, l'affichage s'assombrit. Appuyer sur n'importe quel bouton ou ouvrir la porte ramènera l'écran à sa luminosité d'origine.

FONCTION DE VÉRIFICATION

- ▶ Pendant la cuisson, appuyez sur le bouton CLOCK pour vérifier l'horloge. L'heure actuelle s'affichera jusqu'à ce que le bouton soit relâché.
- ▶ Pendant la cuisson, appuyez sur le bouton POWER pour vérifier le niveau de puissance du tiroir à micro-ondes. La puissance actuelle s'affichera pendant 5 secondes.

Passer au micro-ondes en toute sécurité

Vous trouverez ci-dessous une liste d'articles considérés comme allant au micro-ondes avec les précautions appropriées. Si vous n'êtes pas sûr de la sécurité de l'article, un test peut être effectué :

1. Remplissez un récipient allant au micro-ondes avec 1 tasse d'eau froide avec l'article que vous testez.
2. Faites chauffer les deux éléments à puissance maximale pendant 1 minute. Ne dépassez pas le temps de cuisson d'1 minute.
3. Ensuite, palpez soigneusement l'élément testé. Si l'article est chaud, ne l'utilisez pas pour la cuisson au micro-ondes.

Article	Remarques
Plat à brunir	Suivez les instructions du fabricant. Le fond du plat à brunir doit être à au moins 3/16 po au-dessus du plateau tournant. Une utilisation incorrecte peut entraîner la rupture du plateau tournant.
Vaisselle	Suivez les instructions du fabricant. Utilisez uniquement de la vaisselle allant au micro-ondes. N'utilisez pas de vaisselle fissurée ou ébréchée.
Bocaux en verre	Retirez toujours le couvercle. Utilisez-le uniquement pour réchauffer les aliments jusqu'à ce qu'ils soient juste chauds. La plupart des bocaux en verre ne résistent pas à la chaleur et peuvent se briser.
Verrerie	Utilisez uniquement de la verrerie résistante à la chaleur. Assurez-vous qu'il n'y a pas de garniture métallique. N'utilisez pas de verrerie fissurée ou ébréchée.
Sacs de cuisson au four	Suivez les instructions du fabricant. Ne fermez pas avec un lien métallique. Faites des fentes pour permettre à la vapeur de s'échapper.
Assiettes et gobelets en carton	À utiliser uniquement pour la cuisson et le réchauffement à court terme. Ne laissez pas le tiroir du micro-ondes sans surveillance pendant la cuisson.
Essuie-tout	Utiliser pour couvrir les aliments pour réchauffer et absorber les graisses. À utiliser uniquement pour la cuisson et le réchauffement à court terme.
Parchemin	Utiliser comme couvercle pour éviter les éclaboussures ou comme emballage pour la cuisson à la vapeur.
Papier paraffiné	Utiliser comme couverture pour éviter les éclaboussures.
Articles en plastique	Suivez les instructions du fabricant. Utilisez uniquement du plastique allant au micro-ondes. Il doit être étiqueté « Compatible micro-ondes ». Certains objets en plastique ramollissent à mesure que leur contenu devient chaud. Les « sacs bouillants » et les sacs en plastique bien fermés doivent être fendus, percés ou ventilés conformément aux instructions de leur emballage.
Thermomètres	Utilisez uniquement des thermomètres allant au micro-ondes (thermomètres à viande et à bonbons).

Dangereux pour les articles au micro-ondes

Vous trouverez ci-dessous une liste d'articles considérés comme dangereux pour le micro-ondes et qu'il est préférable d'éviter pour éviter des blessures corporelles et des dommages au tiroir du micro-ondes.

Article	Remarques
Aluminium	Peut provoquer des arcs électriques. Transférez les aliments dans un récipient allant au micro-ondes.
Carton alimentaire avec poignée en métal	Peut provoquer des arcs électriques. Transférez les aliments dans un récipient allant au micro-ondes.
Conteneurs en métal ou garnis de métal	Le métal protège les aliments de l'énergie des micro-ondes. Les garnitures métalliques peuvent provoquer des arcs électriques.
Liens torsadés en métal	Peut provoquer des arcs électriques et provoquer un incendie dans le tiroir du micro-ondes.
Sacs en papier	Peut provoquer un incendie dans le tiroir du micro-ondes.
Mousse plastique	Peut fondre ou contaminer le contenu lorsqu'il est exposé à des températures élevées.
Bois	Peut sécher et potentiellement se fendre ou se fissurer.

Nettoyage de l'appareil

Un nettoyage périodique et un entretien approprié garantiront efficacité, performances optimales et longue durée de vie.

Nettoyage intérieur : Vapeur

1. Remplissez un bol allant au micro-ondes avec un mélange d'eau et quelques cuillères à soupe de vinaigre ou de jus de citron.
2. Placez le bol dans le tiroir du micro-ondes et faites chauffer pendant 5 à 10 minutes pour créer de la vapeur.
3. Laissez le tiroir du micro-ondes reposer quelques minutes après avoir chauffé. La vapeur aidera à détacher le contenu des aliments séchés.
4. Avec un chiffon propre, essuyez l'intérieur du tiroir du micro-ondes jusqu'à ce qu'il soit propre.

Nettoyage intérieur : savon à vaisselle

1. Mélangez quelques gouttes de savon à vaisselle doux avec de l'eau tiède.
2. Utilisez une éponge douce pour éliminer les éclaboussures grasses.
3. Avec un chiffon propre, essuyez l'intérieur du tiroir du micro-ondes jusqu'à ce qu'il soit propre.

REMARQUES: N'utilisez jamais de nettoyant pour four commercial sur aucune partie du tiroir du micro-ondes.

Nettoyage extérieur

L'extérieur du tiroir du micro-ondes peut être nettoyé avec un détergent doux et une solution d'eau tiède telle que deux (2) cuillères à soupe de bicarbonate de soude pour un (1) litre d'eau. N'utilisez pas de nettoyants à base de solvants ou abrasifs. Utilisez une éponge douce et rincez à l'eau claire. Essuyez avec une serviette douce et propre pour éviter les taches d'eau. Nettoyez l'acier inoxydable avec un chiffon imbibé d'un détergent doux et d'une solution d'eau tiède. N'utilisez jamais de produit de nettoyage abrasif ou caustique.

Problème possible	Cause possible	Solutions
Le tiroir du micro-ondes ne fonctionnera pas.	Pas branché.	Assurez-vous que le tiroir du micro-ondes est branché et que la prise de courant est alimentée.
	Le disjoncteur s'est déclenché ou son fusible a grillé.	Remplacez le fusible cassé ou réinitialisez le disjoncteur.
Le tiroir du micro-ondes produit des arcs électriques ou des étincelles.	Des matériaux dangereux ont été utilisés dans le tiroir du micro-ondes.	Utilisez uniquement des articles allant au micro-ondes.
	Le tiroir du micro-ondes a fonctionné alors qu'il n'y avait aucun contenu à l'intérieur.	N'utilisez pas le tiroir du micro-ondes lorsqu'il est vide.
	Le contenu renversé reste dans la cavité du tiroir du micro-ondes.	Nettoyez la cavité en suivant les instructions de la section Nettoyage de l'unité.
Le contenu est inégalement cuit.	Des matériaux dangereux ont été utilisés dans le tiroir du micro-ondes.	Utilisez uniquement des articles allant au micro-ondes.
	Le contenu des aliments n'était pas complètement décongelé.	Décongelez complètement le contenu des aliments.
	Le temps de cuisson et le niveau de puissance ne convenaient pas.	Utilisez le temps de cuisson et le niveau de puissance corrects.
	Le contenu des aliments n'a pas été retourné, agité ou tourné.	Retournez, remuez ou faites pivoter le contenu des aliments et recuisez.
Le contenu est trop cuit.	Le temps de cuisson et le niveau de puissance ne convenaient pas.	Utilisez le temps de cuisson et le niveau de puissance corrects.
Le contenu est insuffisamment cuit.	Des matériaux dangereux ont été utilisés dans le tiroir du micro-ondes.	Utilisez uniquement des articles allant au micro-ondes.
	Le contenu des aliments n'était pas complètement décongelé.	Décongelez complètement le contenu des aliments.
	Le temps de cuisson et le niveau de puissance ne convenaient pas.	Utilisez le temps de cuisson et le niveau de puissance corrects.
	Les ports de ventilation du tiroir à micro-ondes sont restreints.	Vérifiez que les ports de ventilation du tiroir à micro-ondes ne sont pas restreints.
Le contenu est mal décongelé.	Des matériaux dangereux ont été utilisés dans le tiroir du micro-ondes.	Utilisez uniquement des articles allant au micro-ondes.
	Le temps de cuisson et le niveau de puissance ne convenaient pas.	Utilisez le temps de cuisson et le niveau de puissance corrects.
	Le contenu des aliments n'a pas été retourné, agité ou tourné.	Retournez, remuez ou faites pivoter le contenu des aliments et recuisez.

Zephyr Ventilation, LLC (ci-après dénommée « nous ») garantit à l'acheteur original (ci-après dénommé « vous ») des produits Zephyr (ci-après dénommés « les produits ») que ces produits sont exempts de défauts de matériaux ou de fabrication, comme suit:

Garantie limitée de cinq ans pour le magnétron : Pendant cinq ans à compter de la date de votre achat initial des produits, nous fournirons gratuitement le magnétron pour remplacer celui qui est tombé en panne en raison de défauts de fabrication, sous réserve des exclusions et limitations ci-dessous.

Garantie limitée d'un an pour les pièces : Pendant un an à compter de la date d'achat initial des produits, nous fournirons gratuitement des produits ou des pièces (y compris des ampoules, le cas échéant) pour remplacer ceux qui sont défectueux en raison de défauts de fabrication, sous réserve des exclusions et des limitations ci-dessous. Nous pouvons choisir, à notre seule discrétion, de réparer ou de remplacer des pièces avant de choisir de remplacer les produits.

Garantie limitée d'un an pour la main d'œuvre : Pendant un an à compter de la date d'achat initial des produits, nous fournirons gratuitement le coût de la main-d'œuvre associé à la réparation des produits ou des pièces pour remplacer celles qui sont défectueuses en raison de défauts de fabrication, sous réserve des exclusions et des limitations ci-dessous.

Pour obtenir un service dans le cadre de la garantie limitée : Pour bénéficier du service de garantie, vous devez : (a) nous notifier à www.zephyronline.com/contact dans un délai de 60 jours après la découverte du défaut ; (b) indiquer le numéro de modèle et le numéro de série ; et (c) décrire la nature de tout défaut du produit ou de la pièce. Au moment de la demande de service de garantie, vous devez présenter votre preuve d'achat et la preuve de la date d'achat d'origine. Si nous déterminons que les exclusions de garantie énumérées ci-dessus s'appliquent ou si vous ne fournissez pas la documentation nécessaire pour obtenir un service, vous serez responsable de tous les frais d'expédition, de déplacement, de main-d'œuvre et autres coûts liés aux services. Cette garantie n'est pas prolongée ou réactivée en cas de réparation ou de remplacement sous garantie.

Exclusions de la garantie : Cette garantie ne couvre que la réparation ou le remplacement, à notre discrétion, des produits ou pièces défectueux et ne couvre pas les autres coûts liés aux produits, y compris mais sans s'y limiter : (a) l'entretien et le service normaux requis pour les produits et les pièces consommables telles que les filtres, les ampoules, les fusibles ; (b) tout produit ou pièce ayant subi des dommages dus au transport, à une mauvaise utilisation, à la négligence, à un accident, à une installation défectueuse ou contraire aux instructions d'installation recommandées, à un entretien ou à une réparation inappropriés (autres que ceux effectués par nous) ; (c) l'utilisation commerciale ou gouvernementale des produits ou une utilisation non conforme à l'usage prévu ; (d) l'usure naturelle de la finition des produits ou l'usure causée par un mauvais entretien, l'utilisation de produits de nettoyage corrosifs et abrasifs, de tampons et de nettoyeurs pour four ; (e) les ébréchures, les bosses ou les fissures causées par un abus ou une mauvaise utilisation des produits ; (f) les déplacements du service à votre domicile pour vous apprendre à utiliser les produits ; (g) les dommages causés aux produits par un accident, un incendie, une inondation, une catastrophe naturelle ; ou (h) les installations ou les modifications personnalisées qui ont une incidence sur la facilité d'entretien des produits. (I) Les dommages aux biens personnels ou la détérioration des aliments résultant de l'utilisation de ce produit. Si vous vous trouvez en dehors de notre zone de service, des frais supplémentaires peuvent s'appliquer pour les frais d'expédition en vue d'une réparation sous garantie dans nos points de service désignés et pour les frais de déplacement d'un technicien à votre domicile pour réparer, retirer ou réinstaller les produits. Après la première année à compter de la date d'achat, vous êtes également responsable de tous les frais de main-d'œuvre liés à cette garantie. Tous les produits doivent être installés par un installateur professionnel qualifié pour pouvoir bénéficier des réparations ou du service de garantie.

Limitations de la garantie : NOTRE OBLIGATION DE RÉPARER OU DE REMPLACER, SELON NOTRE CHOIX, SERA VOTRE SEUL ET UNIQUE RECOURS DANS LE CADRE DE CETTE GARANTIE. NOUS NE SOMMES PAS RESPONSABLES DES DOMMAGES ACCESSOIRES, INDIRECTS OU SPÉCIAUX RÉSULTANT DE L'UTILISATION OU DE LA PERFORMANCE DES PRODUITS. LES GARANTIES EXPRESSES DE LA SECTION PRÉCÉDENTE SONT EXCLUSIVES ET REMPLACENT TOUTES LES AUTRES GARANTIES EXPRESSES. NOUS DÉCLINONS ET EXCLUONS PAR LA PRÉSENTE TOUTE AUTRE GARANTIE EXPRESSE POUR LES PRODUITS, AINSI QUE TOUTE GARANTIE IMPLICITE EN VERTU DE LA LOI, Y COMPRIS LES GARANTIES DE QUALITÉ MARCHANDE ET D'ADÉQUATION À UN USAGE PARTICULIER. Certains États ou provinces n'autorisent pas la limitation de la durée d'une garantie implicite ou l'exclusion ou la limitation des dommages accessoires ou indirects, de sorte que les limitations ou exclusions susmentionnées peuvent ne pas s'appliquer à vous. Dans la mesure où la législation applicable interdit l'exclusion des garanties implicites, la durée de toute garantie implicite applicable est limitée aux mêmes périodes de deux ans et d'un an décrites ci-dessus si la législation applicable le permet. Toute description orale ou écrite des produits a pour seul but d'identifier les produits et ne doit pas être interprétée comme une garantie expresse. Avant d'utiliser, de mettre en œuvre ou de permettre l'utilisation des produits, vous devez déterminer si les produits conviennent à l'utilisation prévue et vous devez assumer tous les risques et toutes les responsabilités liés à cette détermination. Nous nous réservons le droit d'utiliser des pièces ou des produits remis à neuf ou reconditionnés, fonctionnellement équivalents, en remplacement des produits sous garantie ou dans le cadre du service de garantie. Cette garantie n'est pas transférable de l'acheteur d'origine et ne s'applique qu'au domicile du consommateur où le produit a été installé à l'origine, aux États-Unis et au Canada. Cette garantie n'est pas étendue aux revendeurs.

Veuillez consulter notre site web pour toute information supplémentaire sur les produits, www.zephyronline.com.
Pour toute demande de garantie, veuillez nous contacter à l'adresse suivante : www.zephyronline.com/contact

JUN24.0101

Enregistrement du produit

FOUR MICRO ONDE

TIROIR

N'oubliez pas de vous inscrire votre produit Zephyr !

Félicitations pour l'achat de votre Zephyr ! Veuillez prendre un moment pour enregistrer votre nouveau produit.

Pourquoi est-ce important ?

Une inscription rapide est utile à plus d'un titre :

- Assure la couverture de la garantie en cas de besoin d'entretien
- Vérification de la propriété à des fins d'assurance
- Notification des modifications ou des rappels de produits

Voulez-vous laisser un commentaire ?

Pendant que vous y êtes, laissez un commentaire pour nous dire à quel point vous aimez votre produit.



Inscription

zephyronline.com/registration


Commentaire

qrs.ly/c7ea9sj

Recherchez votre numéro de modèle Zephyr dans la barre de navigation supérieure

ZEPHYR zephyronline.com | 2277 Harbor Bay Pkwy. | Alameda, CA 94520