



Dishwasher

Installation Guide



SPECIFICATIONS, INSTALLATION,
AND MORE



Contents

- 3 Cove Dishwasher
- 4 Specifications
- 7 Door Panel
- 9 Installation
- 15 Troubleshooting

Features and specifications are subject to change at any time without notice. Visit coveappliance.com/specs for the most up-to-date information.

Important Note

To ensure this product is installed and operated as safely and efficiently as possible, take note of the following types of highlighted information throughout this guide:

IMPORTANT NOTE highlights information that is especially important.

⚠ CAUTION

Indicates a situation where minor injury or product damage may occur if instructions are not followed.

⚠ WARNING

States a hazard that may cause serious injury or death if precautions are not followed.

IMPORTANT NOTE: Throughout this guide, dimensions in parentheses are millimeters unless otherwise specified.

IMPORTANT NOTE: Certified residential dishwashers are not intended for licensed food establishments.

IMPORTANT NOTE: Exercise care when installing and removing the unit to avoid damage to the power supply cord (#827613).

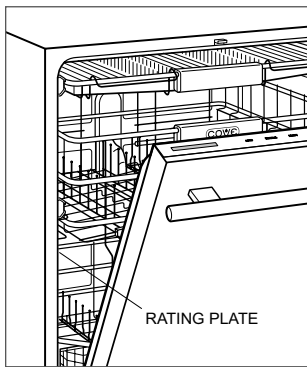
⚠ WARNING

- Do not use the dishwasher until it is completely installed.
- Do not push down on the open door.

Product Information

Important product information, including the model and serial number, are listed on the product rating plate. The rating plate is located on the left side wall of the unit. Refer to the illustration below.

If service is necessary, contact Cove Factory Certified Service with the model and serial number. For the name of the nearest Cove Factory Certified Service or for questions regarding the installation, visit the Product Support section of our website, coveappliance.com, or call Cove Customer Care at 800-222-7820.

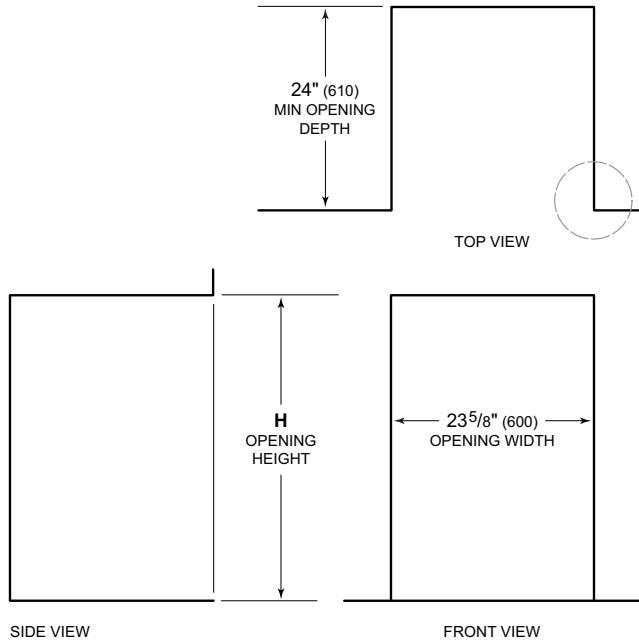


Rating plate location

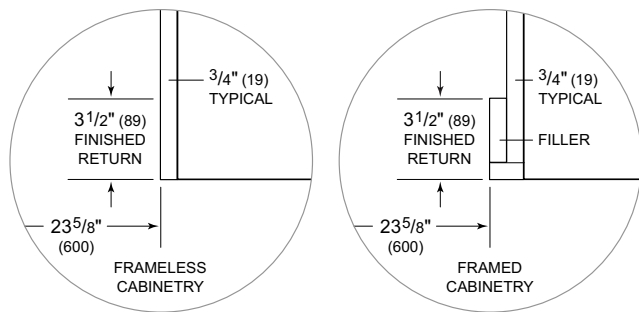
Specifications

Opening Dimensions

DISHWASHER



NOTE: 3¹/₂" (89) finished returns will be visible and should be finished to match cabinetry.



OPENING HEIGHT

H

Standard Height	34 ¹ / ₂ " (876)
ADA Height	32 ¹ / ₂ " (826)

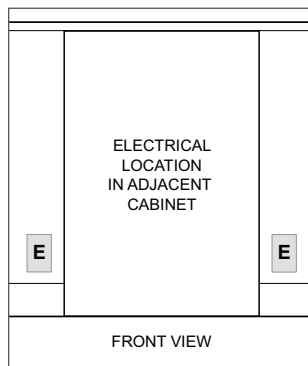
Electrical Requirements

Installation must comply with all applicable electrical codes. Any opening into the adjacent cabinet must meet the following: the longest dimension of the opening shall not be more than 1½" (38). The edges of the opening must be smooth and round.

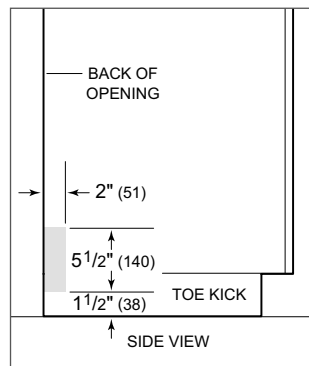
Locate the electrical supply in an adjacent cabinet, within reach of the power cord. Refer to the illustrations below. A separate circuit servicing only this appliance is required. A ground fault circuit interrupter (GFCI) outlet or breaker may be required, whichever complies with local codes.

ELECTRICAL REQUIREMENTS

Electrical Supply	115 VAC, 60 Hz
Service	15 amp dedicated circuit
Receptacle	3-prong grounding-type
Power Cord	6' (1.8 m)



Electrical location



Electrical routing

GROUNDING INSTRUCTIONS

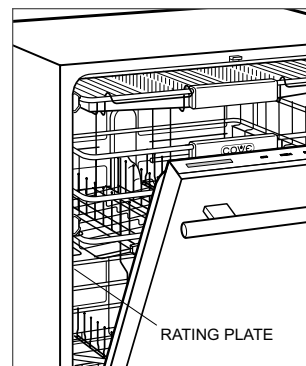
This appliance must be grounded. In the event of a malfunction or breakdown, grounding will reduce the risk of electric shock by providing a path of least resistance for electric current. This appliance is equipped with a cord having an equipment-grounding conductor and a grounding plug. The plug must be plugged into an appropriate outlet that is installed and grounded in accordance with all local codes and ordinances.

⚠ WARNING

If the supply cord is damaged, it must be replaced by the manufacturer, its service agent or similarly qualified persons in order to avoid a hazard.

⚠ WARNING

Improper connection of the equipment-grounding conductor can result in a risk of electric shock. Check with a qualified electrician or service representative if you are in doubt whether the appliance is properly grounded. Do not modify the plug provided with the appliance, if it will not fit the outlet, have a proper outlet installed by a qualified electrician.



Rating plate location

Plumbing Requirements

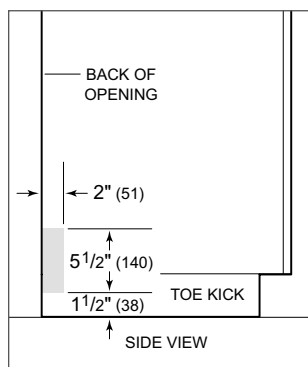
Installation must comply with all applicable plumbing codes. Any opening into the adjacent cabinet must meet the following: the longest dimension of the opening shall not be more than 1½" (38). The edges of the opening must be smooth and round.

A drain line high loop is factory installed on the unit. Do not remove the high loop clamp. If necessary, the drain tubing can be extended by a maximum of 5' (1.5 m).

PLUMBING REQUIREMENTS

Water Connection	5' (1.5 m) braided tubing with ¾" female compression fitting
Drain Connection	5' (1.5 m) corrugated tubing
Pressure	30–140 psi (2–9.7 bar)
Max Supply Temperature	140°F (60°C)

Locate the water supply and drain in an adjacent cabinet. Route the water supply through the shaded area shown in the illustration below. Connect the water supply to a hot water house supply with an easily accessible shut-off valve between the supply and the unit.



Water supply routing

IMPORTANT NOTE: This appliance is intended for connection to a hot water supply. The water supply cannot be exposed to freezing temperatures.

Purge the water supply prior to final connection to the unit. This will remove any debris that may be present in the tubing from installing the new water supply. Connect the braided tubing from the unit to the house water supply with the fitting provided. Check all water supply fittings for leaks.

Door Panel

STAINLESS STEEL PANEL

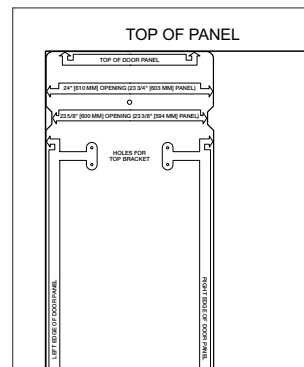
Stainless steel accessory door panels are available through an authorized Cove dealer. For local dealer information, visit the find a showroom section of our website, coveappliance.com.

CUSTOM PANEL

Finish all sides of the custom panel. They may be visible when the door is open.

The thickness of the custom panel can vary. A minimum $\frac{1}{2}$ " (13) thick panel is required, but the thickness can be increased provided the panel does not exceed 20 lb (9 kg). A panel less than 18 lb (9 kg) is optimal.

The custom door panel template provided accommodates $23\frac{3}{8}$ " (594) and $23\frac{3}{4}$ " (603) wide panels. Adjust the template accordingly for all other panel widths. Refer to the illustration below.

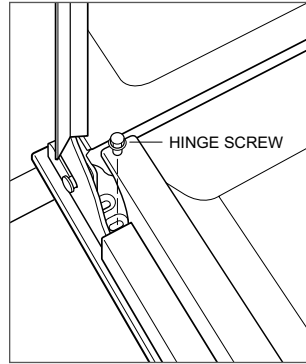


Custom door panel template

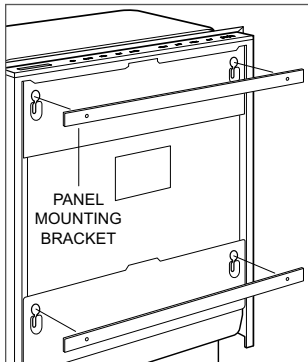
Door Panel

CUSTOM PANEL MOUNTING

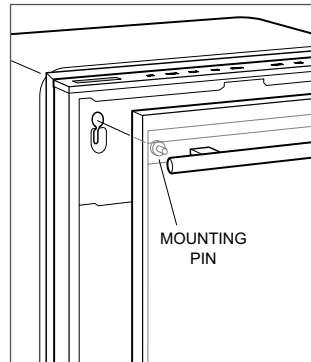
- 1 Remove the template from the dishwasher door.
- 2 Place the custom panel face down on a protected work surface.
- 3 Position the template flush with the top and sides of the panel, then mark and drill the holes.
- 4 Remove the custom panel mounting brackets from the dishwasher by pushing in and up on each bracket. Refer to the illustration below.
- 5 Use the screws provided to secure the brackets to the panel.
- 6 Align the mounting pins on the door panel with the dishwasher door slots, then push in and shift the panel down to secure. Refer to the illustration below.
- 7 Verify the panel is secure against the dishwasher door, then insert a screw into each hinge to secure the bottom of the panel. Refer to the illustration below.



Hinge screw



Panel mounting brackets



Mounting pin

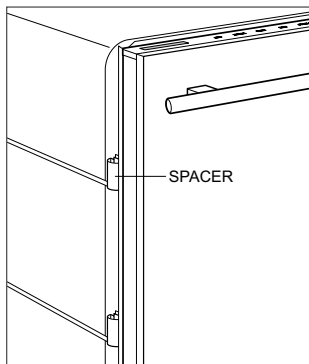
Installation

⚠ CAUTION

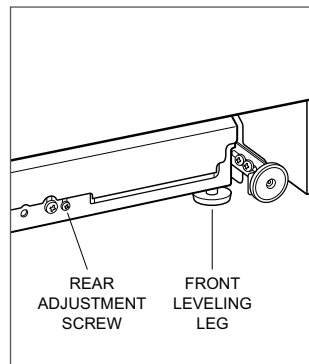
Do not place the unit on its back at any time.

PREPARATION

- 1 Place the unit in front of the opening.
- 2 For openings less than 24" (610) wide, remove the side spacers by pushing upward. Refer to the illustration below.
- 3 Measure the height of the opening, then adjust the leveling legs until the unit height is slightly less than the opening height. Refer to the illustration below.
- 4 To adjust the front, turn the leveling legs clockwise to raise and counterclockwise to lower the unit. To adjust the rear, turn the rear adjustment screw counterclockwise to raise or clockwise to lower the unit. If the rear leveling leg does not raise or lower, tilt the dishwasher forward slightly and turn the screw counterclockwise.
NOTE: The unit is equipped to prevent the rear leveling leg from stripping if turned the wrong way.
- 5 Route the power cord through an access hole in the adjacent cabinet.
- 6 Route the water supply and drain tube through an access hole in the adjacent cabinet.



Side spacers



Leveling

RACK REMOVAL

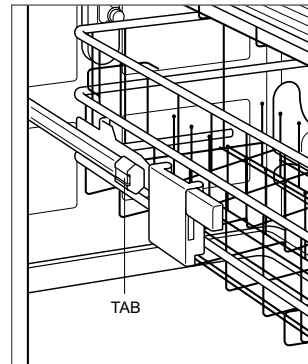
Remove the racks prior to anchoring the unit.

To remove the upper and middle racks:

- 1 Pull the rack out to full extension.
- 2 Pull out on the tab on the side of the rack clips and remove the clips from the end of each rack glide. Refer to the illustration below.
- 3 Pull the rack forward to remove.

To remove the lower rack:

- 1 Pull the rack out to full extension.
- 2 Lift up and out.



Rack removal

Installation

INSTALLATION

⚠ CAUTION

Exercise care when installing or removing the unit to reduce the risk of power-supply cord damage.

⚠ CAUTION

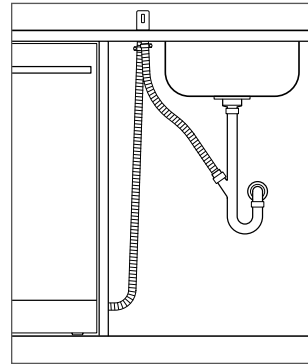
For metal cabinet installations, contact Cove Customer Care for edge protector material prior to installation.

- 1 Insert the unit into the opening and pull the excess electrical and plumbing supplies through the access hole as the unit is being installed.
- 2 Verify the plumbing and electrical supplies are not kinked or coiled.

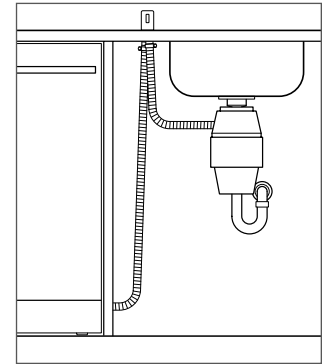
PLUMBING CONNECTIONS

IMPORTANT NOTE: If connecting to an air gap, verify the air gap is not clogged before connecting the drain tube.

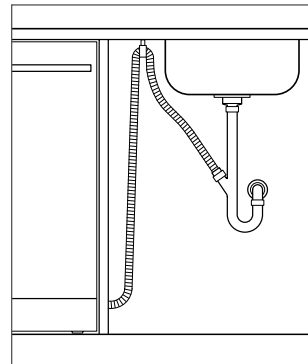
- 1 Connect the drain tube following local code. The drain connection will accommodate 1" (25), 3/4" (19), and 5/8" (16) drain connections. The connection must be cut to fit 3/4" (19) and 5/8" (16) connections. If connecting to a food waste disposer, remove the knockout prior to making the drain connection. The drain tube connection must be 20" (508) to 43" (1092) above the bottom of the dishwasher leveling legs. Refer to the illustrations for some connection options.
- 2 Connect the water connection to the water supply with the fitting provided.



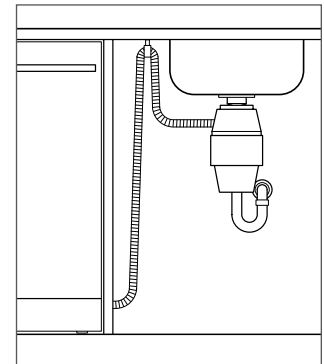
Air gap to P-trap



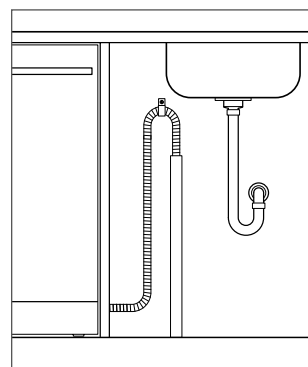
Air gap to disposal



High loop to P-trap



High loop to disposal



Stand pipe

Installation

LEVELING

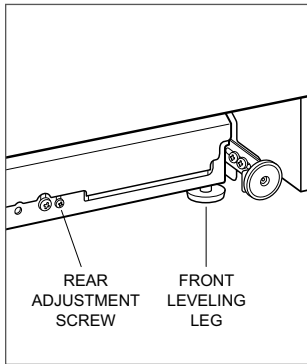
To adjust the front, turn the leveling legs clockwise to raise and counterclockwise to lower the unit. Refer to the illustration below.

To adjust the rear, turn the rear adjustment screw counterclockwise to raise and clockwise to lower the unit.

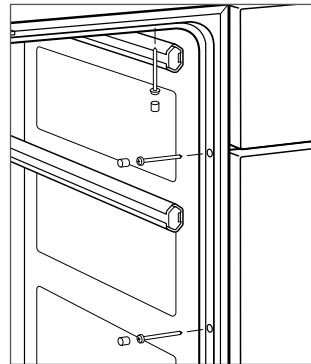
ANCHORING

Secure the unit to adjacent cabinetry using the screws provided. Do not overtighten. Overtightening could distort the unit causing issues with the door seal. If applicable, secure the top of the unit to the countertop using the screws provided.

Verify proper door closure, then install the hole plugs in each mounting hole location. Refer to the illustration below.



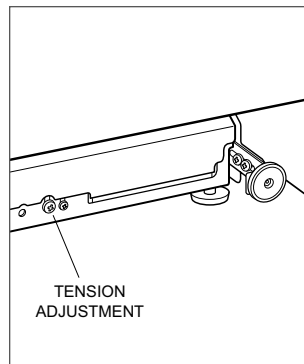
Leveling



Anchoring

DOOR TENSION ADJUSTMENT

The door tension can be adjusted to accommodate multiple panel weights. Panel weight cannot exceed 20 lb (9 kg). A panel less than 18 lb (9 kg) is optimal. Turn the adjustment screw clockwise to increase tension and counterclockwise to decrease tension. Refer to the illustration below.



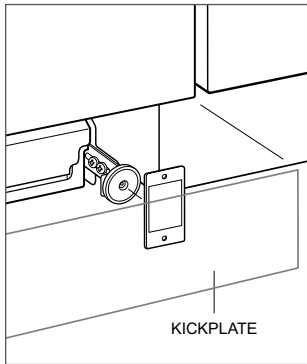
Door tension adjustment

Installation

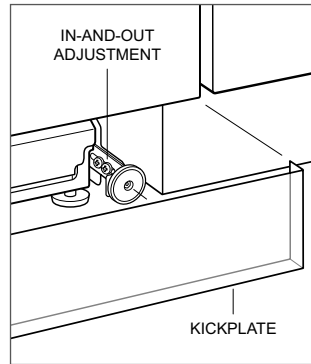
KICKPLATE INSTALLATION

The kickplate must be removable for service. The floor cannot interfere with removal.

- 1 Finger-tighten the adjustment bracket screws.
- 2 For a metal kickplate, place the kickplate on the magnets. For a custom kickplate, place the strike plates on the magnets, remove the paper backing from the strike plates, and press the kickplate against the adhesive to secure. Refer to the illustration below.
- 3 Make in-and-out adjustments. Refer to the illustration below.
- 4 Remove the kickplate, then tighten the bracket screws.
- 5 Reinstall the kickplate.



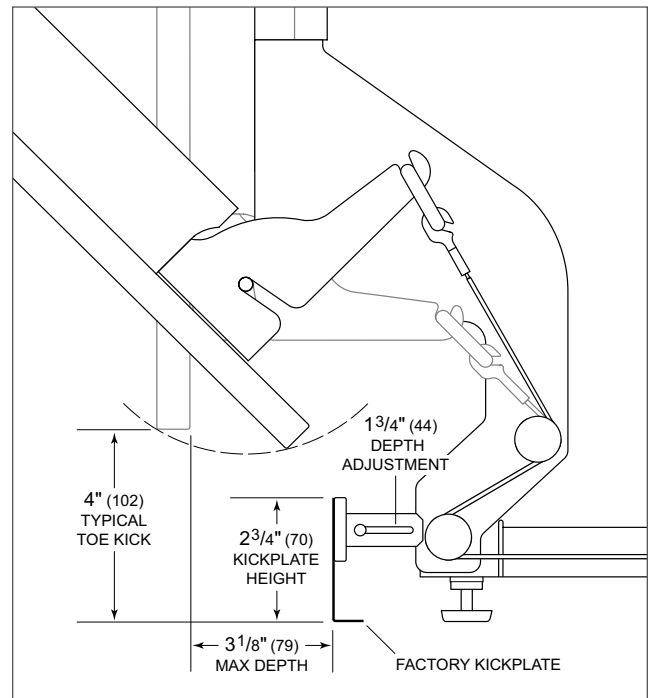
Custom kickplate



Kickplate adjustment

CUSTOM KICKPLATE CLEARANCE

It is possible to adhere a custom kickplate to the factory kickplate. The height and thickness can vary, provided it does not impede the door panel rotation. Refer to the illustration below.

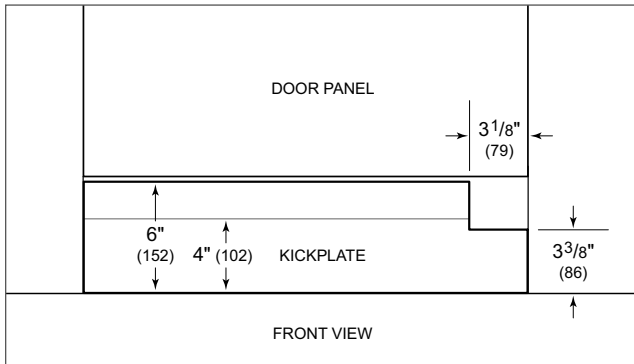


Toe kick area (side view)

Installation

CUSTOM KICKPLATE

The upper right corner of any custom kickplate exceeding $3\frac{3}{8}$ " (86) in height must be notched to allow for airflow. Refer to the illustration below.



Kickplate notch

COMPLETION

- 1 Turn the water and electrical supply on.
- 2 For water softener models, refer to the Water Softener section to adjust the water hardness, then proceed to the next step.
- 3 Install all interior racks and verify proper operation.
- 4 Open and close the door and verify the door latches properly.
- 5 Add detergent to the dispenser.
- 6 Run a Quick cycle to clean the interior and prime the pumps.
- 7 Check for leaks.

Water Softener

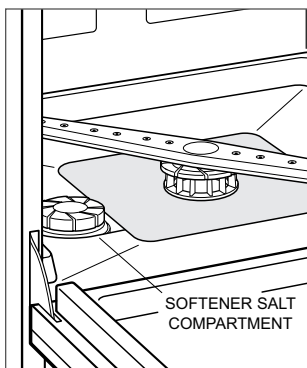
For water softener models only, a salt compartment is located at the bottom of the interior. Refer to the illustration below.

⚠ CAUTION

Do not add anything other than dishwasher salt to the salt compartment.

To add softener salt:

- 1 Pull the lower rack forward and if necessary, turn the lower spray arm away from the compartment cover.
- 2 Turn the cover counterclockwise to remove. It is normal for the reservoir to contain water.
- 3 Fill the compartment with water. Water does not have to be added with subsequent refills.
- 4 Fill the compartment completely with dishwasher softener salt.
- 5 Once full, clean any excess salt from the threads of the salt compartment, then turn the cover clockwise to secure.



Softener salt compartment

WATER HARDNESS

For water softener models only, use the test strip provided and the chart below to determine the appropriate water hardness setting. Refer to the chart below to determine the water hardness setting.

SETTING	HARDNESS
0 (Default)	0–4 gpg
1	5–6 gpg
2	7–8 gpg
3	9–11 gpg
4	12–13 gpg
5	14–15 gpg
6	16–17 gpg
7	18–19 gpg
8	20–22 gpg
9	23–24 gpg
10	25+ gpg

Setting user options:

- 1 Touch Cancel twice.
- 2 Touch and hold Options for approximately 10 seconds until "User Set Up" appears on the display.
- 3 Touch Options multiple times to scroll to Water Hardness.
- 4 Touch Enter multiple times to scroll to the desired setting.
- 5 Touch Cancel to save settings and exit user setup.

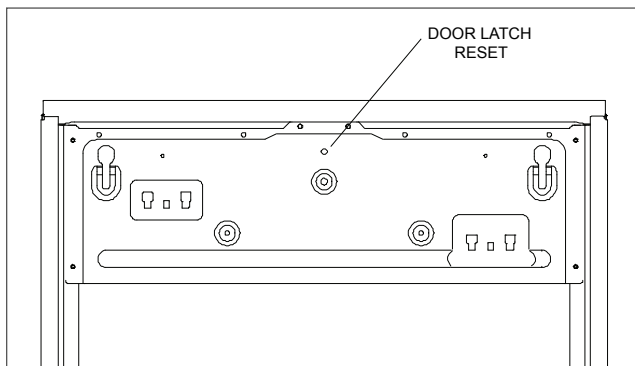
Troubleshooting

Dishwasher does not operate.

- Verify power is on.
- Verify electrical power to the dishwasher and home circuit breaker is on.
- Verify the child lock, Sabbath feature, and showroom mode are not turned on.

Door latch does not function and/or the controls are unresponsive.

- Remove the door panel, if installed. Insert a small tool into the hole on the front of the unit until it clicks. Refer to the illustration below.



Door latch reset hole location

Contenido

- 3 Lavavajillas Cove
- 4 Especificaciones
- 7 Panel de la puerta
- 9 Instalación
- 15 Solución de problemas

Las características y especificaciones están sujetas a cambios sin previo aviso. Visite coveappliance.com/specs para obtener la información más actualizada.

Aviso importante

Para garantizar que este producto se instale y opere de la forma más segura y eficiente posible, tome nota de los siguientes tipos de información resaltada en este manual:

AVISO IMPORTANTE señala la información que es especialmente importante.

⚠ PRECAUCIÓN

Indica una situación en la que se pueden sufrir lesiones leves o provocar daños al producto, si no se siguen las instrucciones.

⚠ ADVERTENCIA

Indica peligro de que se produzcan heridas graves o incluso la muerte si no se siguen las precauciones.

AVISO IMPORTANTE: En toda esta guía, las dimensiones entre paréntesis son milímetros, a menos que se especifique lo contrario.

AVISO IMPORTANTE: Los lavavajillas residenciales certificados no están diseñados para establecimientos alimenticios autorizados.

AVISO IMPORTANTE: Tenga cuidado al instalar y extraer la unidad para evitar dañar el cable de alimentación eléctrica (#827613).

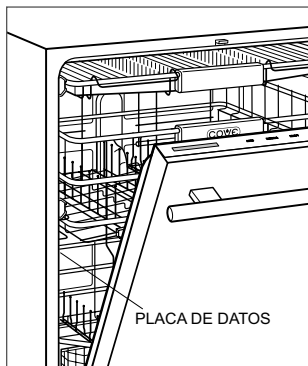
⚠ ADVERTENCIA

- No utilice el lavavajillas si su instalación aún no se ha completado.
- No empuje la puerta abierta hacia abajo.

Información del producto

La información importante del producto, incluidos el modelo y el número de serie de la unidad, se encuentra en la placa de datos del producto. La placa de datos se encuentra en la pared izquierda de la unidad. Consulte la siguiente ilustración.

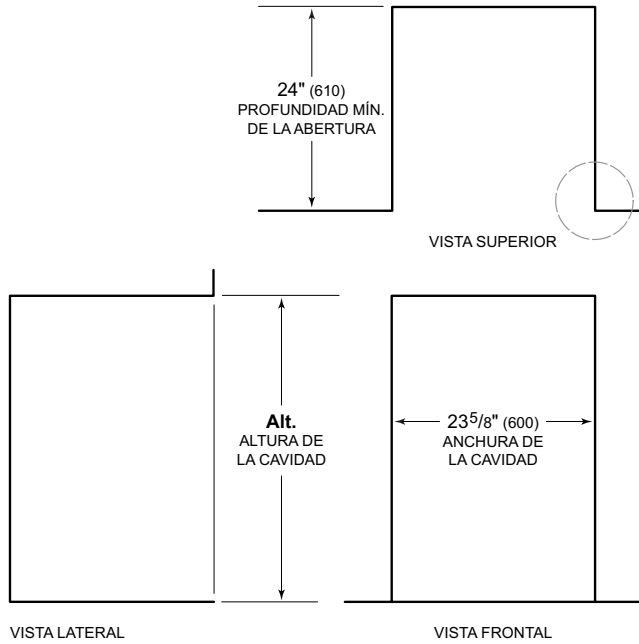
Si es necesario realizar algún servicio, póngase en contacto con el Servicio certificado de fábrica de Cove y tenga a mano el modelo y el número de serie. Para obtener los datos del centro de Servicio certificado de fábrica de Cove más cercano o si tiene preguntas acerca de la instalación, visite la sección de servicio técnico en nuestro sitio web, coveappliance.com, o bien, llame a la línea de atención al cliente de Cove al 800-222-7820.



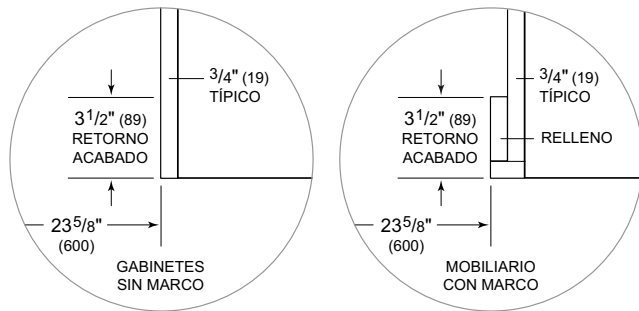
Ubicación de la placa de datos

Medidas de la cavidad

LAVAVAJILLAS



NOTA: Los tubos de retorno de 3¹/₂" (89) con acabados se podrán ver y se deben terminar para que se ajusten a los gabinetes.



ALTURA DE LA CAVIDAD

Alt.

Altura estándar	34 ¹ / ₂ " (876)
Altura ADA	32 ¹ / ₂ " (826)

Requisitos eléctricos

La instalación debe cumplir con todos los códigos eléctricos vigentes. Cualquier abertura en el gabinete contiguo debe cumplir lo siguiente: la dimensión más larga de la abertura no debe ser superior a 1½" (38). Los bordes de la abertura deben ser lisos y redondos.

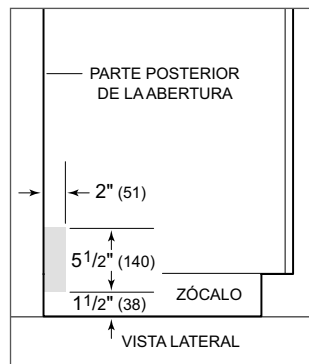
Ubique el suministro eléctrico en un gabinete contiguo dentro del alcance del cable de alimentación eléctrica. Revise las siguientes ilustraciones. Se necesita un circuito independiente solamente para esta unidad. Se puede requerir una toma o un interruptor de circuito de fallos de conexión a tierra (GFCI, por sus siglas en inglés), el que cumpla con los códigos locales.

REQUISITOS ELÉCTRICOS

Suministro eléctrico	115 V CA, 60 Hz
Servicio	Circuito dedicado de 15 amperes
Toma	Conexión a tierra de 3 clavijas
Cable eléctrico	6' (1.8 m)



Ubicación de la alimentación eléctrica



Guía eléctrica

INSTRUCCIONES DE CONEXIÓN A TIERRA

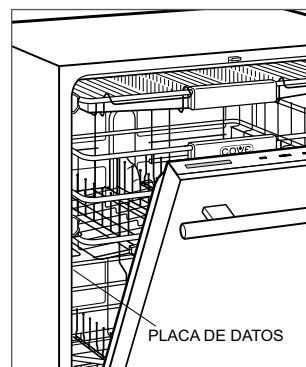
Este electrodoméstico debe ser conectado a tierra. En caso de que se produzca un desperfecto o fallo, la conexión a tierra reduce el riesgo de descarga eléctrica al proporcionar un recorrido de menos resistencia para la corriente eléctrica. Este electrodoméstico está equipado con un cable que tiene un conductor de conexión a tierra de equipo y un enchufe de conexión a tierra. El enchufe debe conectarse a un tomacorriente adecuado instalado y conectado a tierra de conformidad con los códigos y las ordenanzas locales.

⚠ ADVERTENCIA

Si se daña el cable de corriente, debe ser sustituido por el fabricante, su agente de servicio o una persona igualmente calificada para evitar riesgos.

⚠ ADVERTENCIA

La conexión incorrecta del conductor de conexión a tierra de equipo puede resultar en un riesgo de descarga eléctrica. Verifique con un electricista calificado o representante de servicio si tiene duda de que el aparato esté conectado correctamente a tierra. No modifique el enchufe provisto con el electrodoméstico. Si no encaja en el tomacorriente, pida a un electricista calificado que instale un tomacorriente adecuado.



Ubicación de la placa de datos

Requisitos de plomería

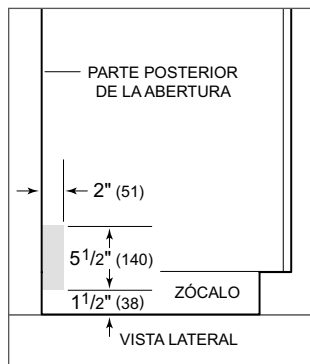
La instalación debe cumplir con todos los códigos de plomería vigentes. Cualquier abertura en el gabinete contiguo debe cumplir lo siguiente: la dimensión más larga de la abertura no debe ser superior a 1½" (38). Los bordes de la abertura deben ser lisos y redondos.

La unidad tiene instalado de fábrica un bucle alto en la tubería de drenaje. No retire la abrazadera del bucle alto. Si es necesario, los tubos de drenaje se pueden extender un máximo de 5' (1.5 m).

REQUISITOS DE PLOMERÍA

Conexión de agua	Tubos trenzados de 5' (1.5 m) con accesorio de compresión hembra de ¾"
Conexión de desagüe	Tubos corrugados de 5' (1.5 m)
Presión	De 30 a 140 psi (de 2 a 9.7 bares)
Temperatura de suministro máx.	140 °F (60 °C)

Ubique el suministro de agua y drenaje en un gabinete contiguo. Guíe el suministro de agua a través de la zona sombreada que se muestra en la ilustración a continuación. Conecte el suministro de agua al suministro doméstico de agua caliente con una válvula de cierre de fácil acceso entre el suministro y la unidad.



Guía del suministro de agua

AVISO IMPORTANTE: Este electrodoméstico está diseñado para conectarse a un suministro de agua caliente. El suministro de agua no puede quedar expuesto a temperaturas de congelación.

Purgue el suministro de agua antes de hacer la conexión final a la unidad. Esto eliminará cualquier residuo que pueda haber quedado en la tubería al instalar el nuevo suministro de agua. Conecte el tubo trenzado de la unidad al suministro de agua doméstico con el accesorio provisto. Revise todos los accesorios del suministro de agua para detectar fugas.

Panel de la puerta

PANEL DE ACERO INOXIDABLE

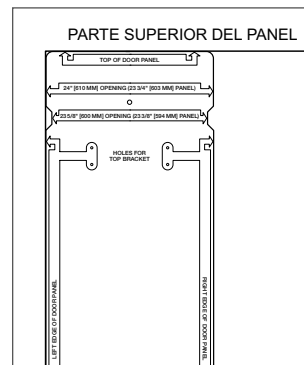
Están disponibles paneles de puerta con accesorios de acero inoxidable con los distribuidores autorizados Cove. Para obtener más información acerca de los distribuidores locales, visite la sección para encontrar una sala de exposición de nuestro sitio web, coveappliance.com.

PANEL PERSONALIZADO

Realice el acabado de todos los lados del panel a medida. Pueden ser visibles cuando la puerta está abierta.

El grosor del panel a medida puede variar. Se requiere un panel con un grosor mínimo de $\frac{1}{2}$ " (13), pero puede aumentarse siempre y cuando el panel no exceda 20 lb (9 kg). Un panel de menos de 18 lb (9 kg) es ideal.

La plantilla de panel de puerta personalizado acepta paneles de $23\frac{3}{8}$ " (594) y $23\frac{3}{4}$ " (603) de ancho. Ajuste la plantilla según corresponda para todos los demás anchos de panel. Consulte la siguiente ilustración.

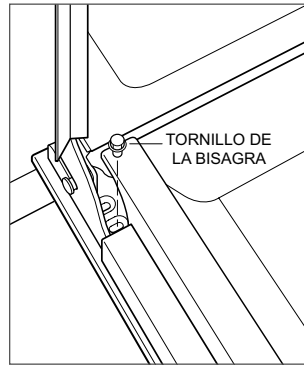


Plantilla de panel de puerta personalizado

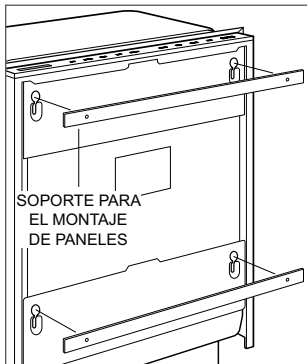
Panel de la puerta

MONTAJE DE PANEL PERSONALIZADO

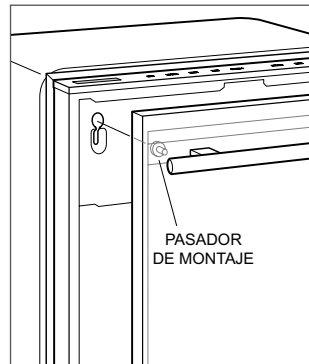
- 1 Retire la plantilla de la puerta del lavavajillas.
- 2 Coloque el panel personalizado boca abajo sobre una superficie de trabajo protegida.
- 3 Coloque la plantilla a ras con la parte superior y los lados del panel, luego marque y perforo los orificios.
- 4 Retire los soportes de montaje del panel personalizado del lavavajillas empujando hacia adentro y hacia arriba en cada soporte. Consulte la siguiente ilustración.
- 5 Use los tornillos provistos para asegurar los soportes al panel.
- 6 Alinee los pasadores de montaje en el panel de la puerta con las ranuras de la puerta del lavavajillas; luego empújelo y desplace el panel hacia abajo para fijarlo. Consulte la siguiente ilustración.
- 7 Verifique que el panel esté seguro contra la puerta del lavavajillas; luego inserte un tornillo en cada bisagra para asegurar la parte inferior del panel. Consulte la siguiente ilustración.



Tornillo de la bisagra



Soportes de montaje del panel



Pasador de montaje

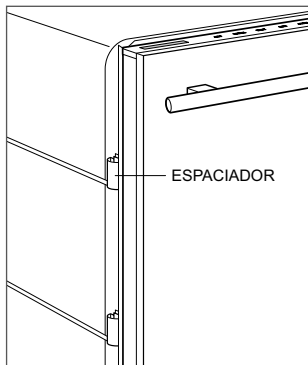
Instalación

⚠ PRECAUCIÓN

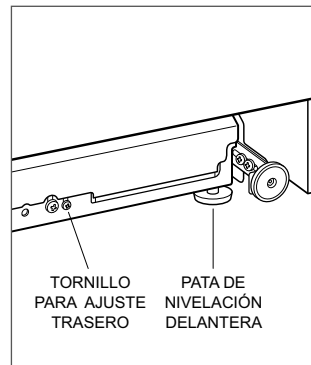
Nunca coloque el producto acostado sobre su parte posterior.

PREPARACIÓN

- 1 Coloque la unidad en la parte delantera de la abertura.
- 2 Para aberturas de menos de 24" (610) de ancho, retire los espaciadores laterales empujando hacia arriba. Consulte la siguiente ilustración.
- 3 Mida la altura de la abertura, luego ajuste las patas niveladoras hasta que la altura de la unidad sea ligeramente menor que la altura de la abertura. Consulte la siguiente ilustración.
- 4 Para ajustar la parte delantera, gire las patas niveladoras en el sentido de las manecillas del reloj para levantar la unidad, y en sentido opuesto a las manecillas del reloj para bajarla. Para ajustar la parte trasera, gire el tornillo de ajuste trasero hacia la izquierda para levantar la unidad o hacia la derecha para bajarla. Si la pata niveladora trasera no sube o baja, incline ligeramente el lavavajillas hacia delante y gire el tornillo hacia la izquierda. **NOTA:** La unidad está equipada para evitar que la pata niveladora trasera se suelte si se gira en sentido incorrecto.
- 5 Guíe el cable de alimentación eléctrica a través de un orificio de acceso en el gabinete contiguo.
- 6 Guíe el suministro de agua y el tubo de drenaje a través de un orificio de acceso en el gabinete contiguo.



Espaciadores laterales



Nivelado

RETIRO DE LAS REJILLAS

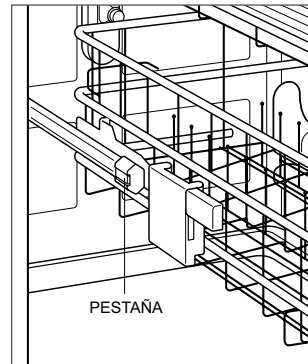
Retire las rejillas antes de anclar la unidad.

Para retirar las rejillas superior y media:

- 1 Abra totalmente la rejilla.
- 2 Jale la lengüeta en el lado de los pasadores de la rejilla y retire los pasadores que se ubican al final de cada deslizador de la rejilla. Consulte la siguiente ilustración.
- 3 Jale la rejilla hacia adelante para extraerla.

Para extraer la rejilla inferior:

- 1 Abra totalmente la rejilla.
- 2 Levante y extraiga.



Retiro de las rejillas

Instalación

INSTALACIÓN

⚠ PRECAUCIÓN

Tenga cuidado al instalar o retirar la unidad para minimizar el riesgo de daños en el cable de alimentación.

⚠ PRECAUCIÓN

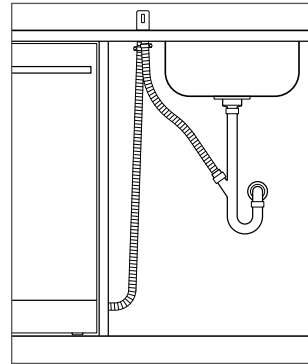
Para instalaciones de gabinetes metálicos, póngase en contacto con atención al cliente de Cove para obtener información sobre el material protector de bordes antes de la instalación.

- 1 Inserte la unidad en la abertura y quite el exceso de suministros eléctricos y de plomería a través del orificio de acceso a medida que se instala la unidad.
- 2 Verifique que los suministros de plomería y eléctricos no estén doblados ni enrollados.

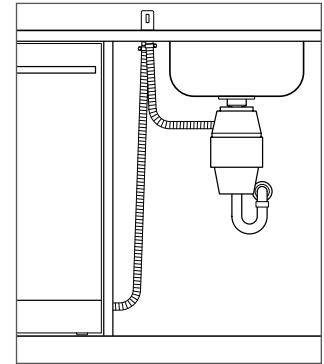
CONEXIONES DE PLOMERÍA

AVISO IMPORTANTE: Si se conecta a una abertura de aire, verifique que la abertura de aire no esté obstruida antes de conectar el tubo de drenaje.

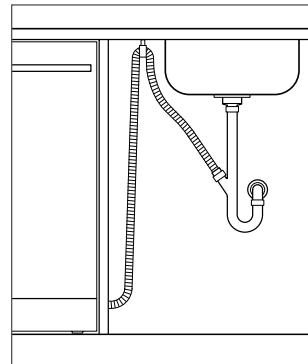
- 1 Conecte el tubo de desagüe siguiendo el código local. La conexión de drenaje es compatible con conexiones de drenajes de 1" (25), $\frac{3}{4}$ " (19) y $\frac{5}{8}$ " (16). La conexión debe cortarse para adaptarse a conexiones de $\frac{3}{4}$ " (19) y $\frac{5}{8}$ " (16). Si la conexión es a un triturador de desperdicios alimenticios, retire el prepunzonado antes de hacer la conexión de drenaje. La conexión del tubo de drenaje deberá estar entre 20" (508 mm) y 43" (1092) por encima de la parte inferior de las patas niveladoras del lavavajillas. Consulte las ilustraciones para ver algunas opciones de conexión.
- 2 Conecte la conexión de agua al suministro de agua con el accesorio provisto.



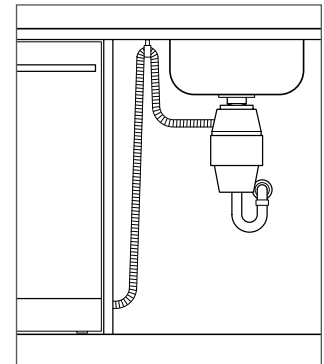
Paso de aire para trampa sifón



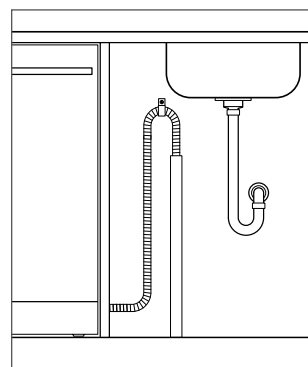
Paso de aire para desechos



Bucle alto para trampa sifón



Bucle alto para desechos



Tubo vertical

Instalación

NIVELADO

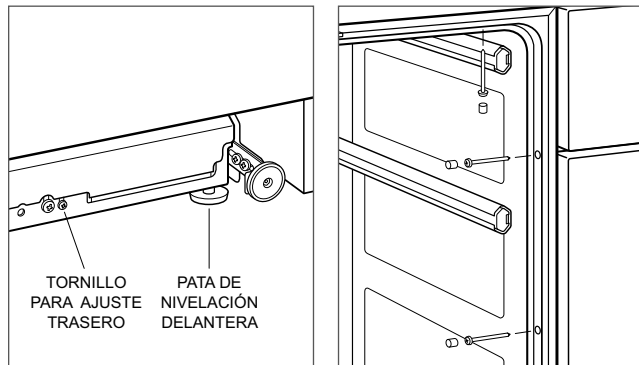
Para ajustar la parte delantera, gire las patas niveladoras en el sentido de las manecillas del reloj para levantar la unidad, y en sentido opuesto a las manecillas del reloj para bajarla. Consulte la siguiente ilustración.

Para ajustar la parte trasera, gire el tornillo de ajuste trasero en sentido contrario a las manecillas del reloj para levantar la unidad, y en sentido opuesto a las manecillas del reloj para bajarla.

ANCLAJE

Asegure la unidad a los gabinetes contiguos con los tornillos provistos. No los apriete demasiado. Apretar demasiado podría distorsionar la unidad y causar problemas con el sello de la puerta. Si corresponde, asegure la parte superior de la unidad al mostrador con los tornillos provistos.

Verifique el cierre correcto de la puerta, luego instale los tapones de orificio en cada ubicación de orificio de montaje. Consulte la siguiente ilustración.

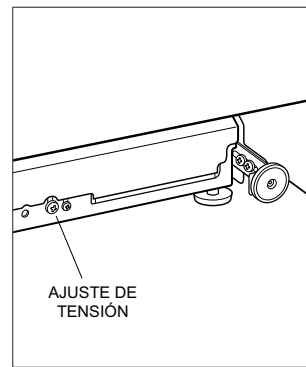


Nivelado

Anclaje

AJUSTE DE LA TENSIÓN DE LA PUERTA

La tensión de la puerta se puede ajustar para aceptar diversos pesos de panel. El peso del panel no puede ser superior a 20 lb (9 kg). Un panel de menos de 18 lb (9 kg) es ideal. Gire el tornillo de ajuste hacia la derecha para aumentar la tensión y en el sentido contrario para disminuirla. Consulte la siguiente ilustración.



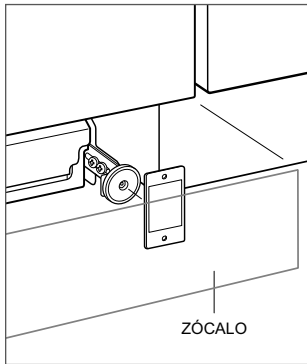
Ajuste de la tensión de la puerta

Instalación

INSTALACIÓN DEL ZÓCALO

El zócalo debe ser extraíble para permitir sacarlo en caso de avería. El suelo no debe interferir al desmontarlo.

- 1 Ajuste con los dedos los tornillos del soporte de ajuste.
- 2 Para un zócalo metálico, ponga el zócalo sobre los imanes. Para un zócalo personalizado, ponga las placas de desplazamiento sobre los imanes, quite el papel protector de las placas y presione el zócalo contra el adhesivo para fijar. Consulte la siguiente ilustración.
- 3 Haga ajustes hacia adentro y hacia afuera. Consulte la siguiente ilustración.
- 4 Retire el zócalo y, luego, ajuste los tornillos de soporte.
- 5 Vuelva a colocar el zócalo.



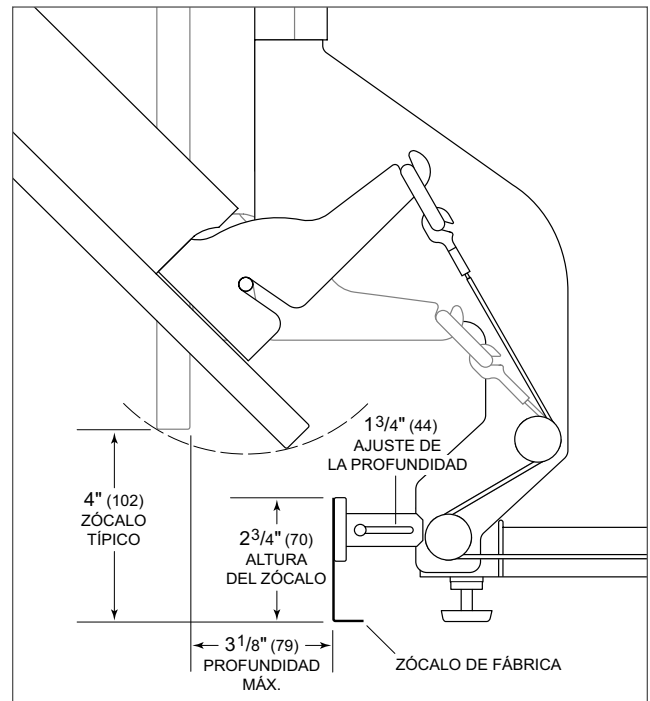
Zócalo personalizado



Ajuste del zócalo

SEPARACIÓN DEL ZÓCALO PERSONALIZADO

Es posible adherir un zócalo personalizado al zócalo de fábrica. La altura y el grosor pueden variar, siempre que no impida la rotación del panel de la puerta. Consulte la siguiente ilustración.

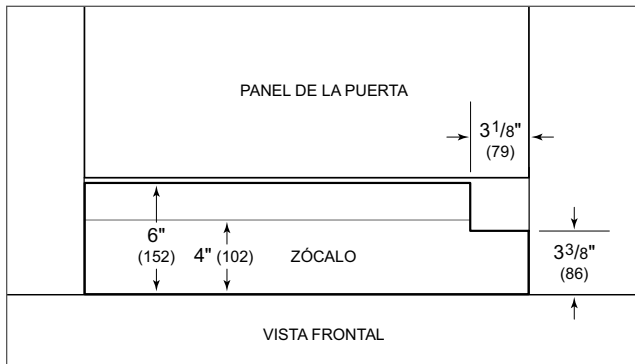


Área del zócalo (vista lateral)

Instalación

ZÓCALO PERSONALIZADO

La esquina superior derecha de un zócalo personalizado de una altura superior a $3\frac{3}{8}$ " (86) debe tener una muesca para permitir el flujo de aire. Consulte la siguiente ilustración.



Muesca del zócalo

FINALIZACIÓN

- 1 Encienda el suministro de agua y eléctrico.
- 2 Para los modelos con ablandadores de agua, consulte la sección Ablandador de agua para ajustar la dureza del agua, luego continúe con el siguiente paso.
- 3 Coloque las rejillas interiores y verifique que el equipo funcione correctamente.
- 4 Abra y cierre la puerta y compruebe que se cierre correctamente.
- 5 Agregue detergente al dispensador.
- 6 Ejecute un ciclo rápido para limpiar el interior y cebar las bombas.
- 7 Verifique si hay fugas.

Ablandador de agua

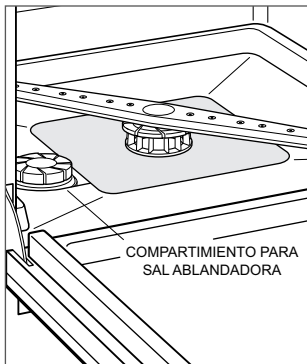
Para los modelos con ablandador de agua solamente, hay un compartimiento para sal ubicado en la parte inferior del interior. Consulte la siguiente ilustración.

⚠ PRECAUCIÓN

No agregue nada más que sal de lavavajillas al compartimiento para sal.

Para agregar sal ablandadora:

- 1 Hale la rejilla inferior hacia adelante y, si es necesario, aleje el brazo de rociado inferior de la tapa del compartimiento.
- 2 Gire la rejilla en el sentido de las manecillas del reloj para extraerla. Es normal que el depósito contenga agua.
- 3 Llene el compartimiento con agua. No es necesario agregar agua cuando se rellene posteriormente.
- 4 Llene el compartimiento por completo con sal ablandadora para lavavajillas.
- 5 Una vez lleno, limpie el exceso de sal de las roscas del compartimiento para sal, luego gire la tapa en el sentido de las manecillas del reloj para asegurar.



Compartimiento para sal ablandadora

DUREZA DEL AGUA

Para los modelos con ablandador de agua solamente, use la tira de prueba provista y la tabla a continuación para determinar la configuración adecuada de dureza del agua. Consulte la siguiente tabla para determinar el ajuste de dureza del agua.

AJUSTE	DUREZA
0 (predeterminado)	0 a 4 gpg
1	5 a 6 gpg
2	7 a 8 gpg
3	9 a 11 gpg
4	12 a 13 gpg
5	14 a 15 gpg
6	16 a 17 gpg
7	18 a 19 gpg
8	20 a 22 gpg
9	23 a 24 gpg
10	25+ gpg

Configuración de opciones del usuario:

- 1 Presione Cancel (Cancelar) dos veces.
- 2 Presione y mantenga Options (Opciones) durante aproximadamente 10 segundos hasta que aparezca "User Set Up" (Configuración del usuario) en la pantalla.
- 3 Presione Options (Opciones) varias veces para desplazarse a Water Hardness (Dureza del agua).
- 4 Presione Enter (Intro) varias veces para desplazarse a la opción deseada.
- 5 Presione Cancel (Cancelar) para guardar la configuración y salir de la configuración de usuario.

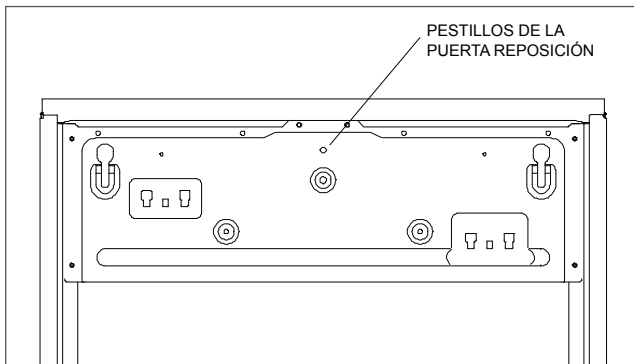
Solución de problemas

El lavavajillas no funciona.

- Compruebe si la energía está encendida.
- Compruebe que la corriente eléctrica al lavavajillas y el disyuntor de la casa estén encendidos.
- Verifique que los modos de bloqueo para niños, Shabat y sala de exhibición no estén encendidos.

El pestillo de la puerta no funciona o los mandos no responden.

- Si está montado el panel de la puerta, retírelo. Inserte una pequeña herramienta en el orificio de la parte delantera de la unidad hasta que encaje. Consulte la siguiente ilustración.



Ubicación del orificio de reposición del pestillo de la puerta

Table des matières

3	Lave-vaisselle Cove
4	Spécifications
7	Panneau de porte
9	Installation
15	Dépannage

Les caractéristiques et les spécifications peuvent être modifiées en tout temps sans préavis. Visitez coveappliance.com/specs pour obtenir les renseignements les plus récents.

Remarque importante

Pour garantir une installation et un fonctionnement en toute sécurité et hautement efficace de ce produit, veuillez accorder une attention particulière aux informations dans ce guide marquées des mentions suivantes :

REMARQUE IMPORTANTE, indique des informations très importantes.

⚠ ATTENTION

Indique une situation susceptible d'entraîner des blessures mineures ou d'endommager le produit en cas de non-respect des instructions.

⚠ AVERTISSEMENT

Décrit un danger qui peut causer une blessure grave voire mortelle si les précautions ne sont pas respectées.

REMARQUE IMPORTANTE : Tout au long de ce guide, les dimensions entre parenthèses sont en millimètres sauf indication contraire.

REMARQUE IMPORTANTE : Les lave-vaisselle certifiés résidentiels ne sont pas conçus pour les établissements de service alimentaire titulaires d'un permis.

REMARQUE IMPORTANTE : Prenez des précautions lors de l'installation et du retrait de l'appareil pour éviter d'endommager le cordon d'alimentation (n° 827613).

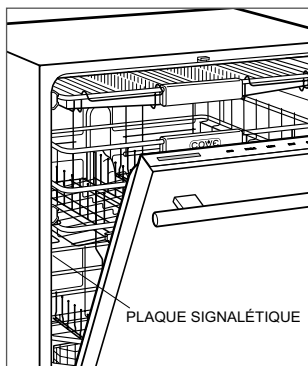
⚠ AVERTISSEMENT

- **N'utilisez pas le lave-vaisselle tant qu'il n'est pas entièrement installé.**
- **N'appuyez pas sur la porte ouverte.**

Renseignements sur le produit

Des renseignements importants sur le produit, y compris les numéros de modèle et de série, se trouvent sur la plaque signalétique du produit. La plaque signalétique est située sur la paroi latérale gauche de l'unité. Reportez-vous à l'illustration ci-dessous.

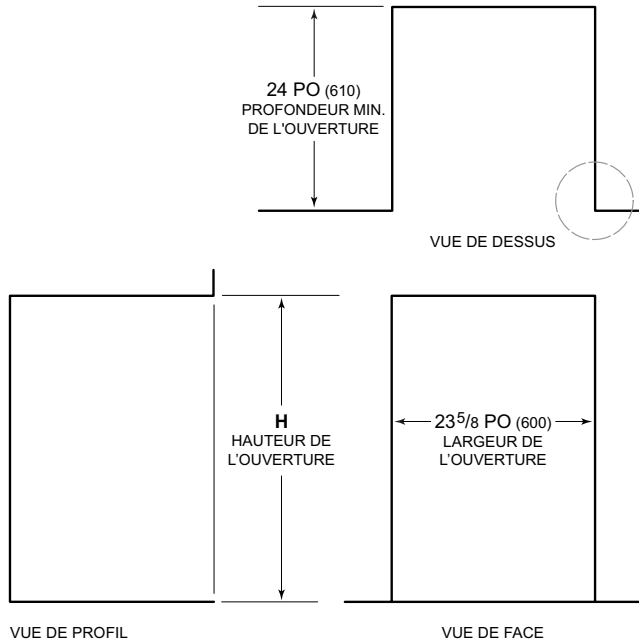
Si vous avez besoin de service, communiquez avec le service Cove certifié par l'usine avec les numéros de modèle et de série. Pour obtenir le nom du centre de service Cove certifié par l'usine le plus près de chez vous ou si vous avez des questions concernant l'installation, consultez la section Support produit dans notre site Web, www.coveappliance.com ou appelez le service à la clientèle de Cove au 800-222-7820.



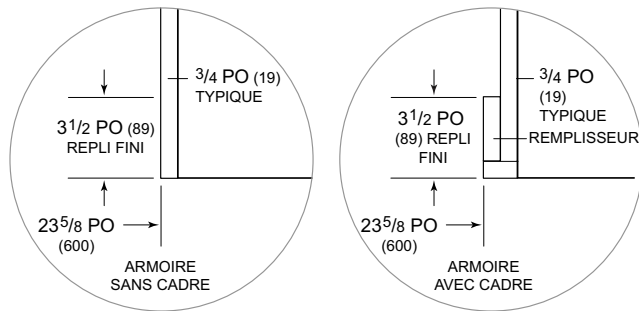
Emplacement de la plaque signalétique

Dimensions de l'ouverture

LAVE-VAISSELLE



REMARQUE : Les retours finis de 3¹/₂ po (89) seront visibles et doivent être finis pour s'agencer aux armoires



HAUTEUR DE L'OUVERTURE

H

Hauteur standard	34 ¹ / ₂ po (876)
Hauteur ADA	32 ¹ / ₂ po (826)

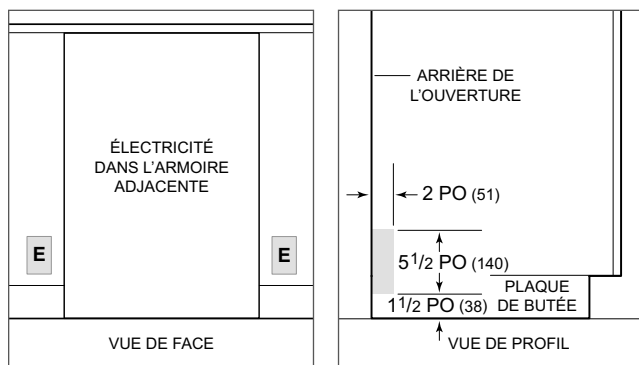
Exigences électriques

L'installation doit se conformer à tous les codes électriques applicables. Toute ouverture dans l'armoire adjacente doit respecter les exigences suivantes : la dimension la plus longue de l'ouverture ne doit pas dépasser 1 1/2 po (38). Les rebords de l'ouverture doivent être lisses et arrondis.

Placez l'alimentation électrique dans une armoire adjacente, à la portée du cordon d'alimentation. Reportez-vous aux illustrations ci-dessous. Cet appareil doit être alimenté au moyen d'un circuit qui lui est réservé. Une prise à disjoncteur de fuite de terre ou un sectionneur pourront être requis, selon l'option qui se conforme aux codes locaux.

EXIGENCES ÉLECTRIQUES

Alimentation électrique	115 volts CA, 60 Hz
Service	Circuit dédié de 15 ampères
Prise	Mise à la terre à trois broches
Cordon d'alimentation	6 pi (1,8 m)



Emplacement de l'alimentation électrique

Acheminement électrique

DIRECTIVES RELATIVES À LA MISE À LA TERRE

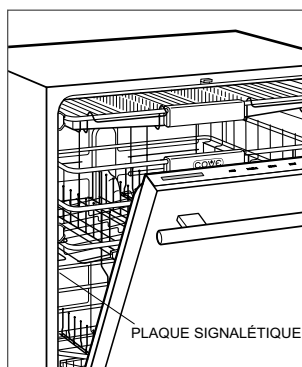
Cet appareil doit être mis à la terre. Dans le cas d'un mauvais fonctionnement ou d'un bris, la mise à la terre réduit le risque de choc électrique en fournissant une voie de moindre résistance au courant électrique. Cet appareil est muni d'un cordon avec un conducteur de masse et d'une fiche de masse. La fiche doit être branchée dans une prise appropriée qui est installée et mise à terre en conformité avec tous les codes et les ordonnances locaux.

⚠ AVERTISSEMENT

Si le cordon d'alimentation est endommagé, il doit être remplacé par le fabricant, son agent de service ou des personnes de qualification similaire afin d'éviter tout danger.

⚠ AVERTISSEMENT

Une mauvaise connexion du conducteur de mise à la masse de l'équipement peut entraîner un risque d'électrocution. Vérifiez auprès d'un électricien ou d'un représentant de service qualifié si vous n'êtes pas certain que l'appareil est correctement mis à la terre. Ne modifiez pas la fiche fournie avec l'appareil; si elle ne convient pas à la prise, faites installer une prise appropriée par un électricien qualifié.



Emplacement de la plaque signalétique

Exigences de plomberie

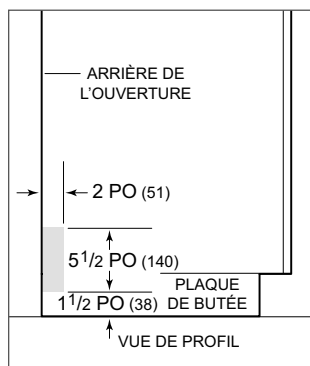
L'installation doit être conforme à tous les codes de plomberie applicables. Toute ouverture dans l'armoire adjacente doit respecter les exigences suivantes : la dimension la plus longue de l'ouverture ne doit pas dépasser 1 ½ po (38). Les rebords de l'ouverture doivent être lisses et arrondis.

Une boucle élevée pour la conduite d'évacuation est installée en usine sur l'unité. Ne retirez pas la bride de la boucle élevée. Si nécessaire, le tube d'évacuation peut être prolongé jusqu'à un maximum de 5 pi (1,5 m).

EXIGENCES DE PLOMBERIE

Connexion d'alimentation en eau	Tube tressé de 5 pi (1,5 m) avec raccord de compression femelle de ¾ po (9)
Raccordement d'évacuation	Tube ondulé de 5 pi (1,5 m)
Pression	30 à 140 lb/po ² (2 à 9,7 bars)
Température d'alimentation maximale	140 °F (60 °C)

Placez l'alimentation en eau et l'évacuation dans une armoire adjacente. Acheminez l'alimentation en eau dans la zone ombragée indiquée dans l'illustration ci-dessous. Reliez l'alimentation en eau à l'alimentation en eau chaude de la résidence avec un robinet d'arrêt facilement accessible entre l'alimentation et l'unité.



Acheminement de l'alimentation en eau

REMARQUE IMPORTANTE : Cet appareil est conçu pour être relié à une alimentation en eau chaude. L'alimentation en eau ne doit pas être exposée au gel.

Purgez le tuyau d'alimentation en eau avant d'effectuer la dernière connexion vers l'unité. Ceci éliminera tous les débris qui pourraient se trouver dans le tube suite à l'installation du nouveau tuyau d'alimentation en eau. Reliez le tube tressé de l'unité à l'alimentation en eau de la résidence au moyen du raccord fourni. Vérifiez que tous les raccords du tuyau d'alimentation en eau ne présentent pas de fuites.

Panneau de porte

PANNEAU DE PORTE EN ACIER INOXYDABLE

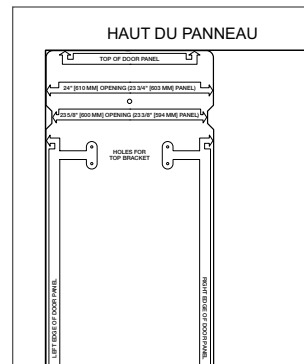
Des panneaux de porte accessoires en acier inoxydable sont proposés par les dépositaires Cove autorisés. Pour obtenir des renseignements sur le dépositaire local, visitez la section salle d'exposition de notre site Web, coveappliance.com.

PANNEAU PERSONNALISÉ

Finissez tous les côtés du panneau sur mesure. Ils peuvent être visibles lorsque la porte est ouverte.

L'épaisseur du panneau sur mesure peut varier. Un panneau d'une épaisseur d'au moins 1/2 po (13) est requis, mais dont l'épaisseur peut être augmentée à condition que le panneau ne pèse pas plus de 20 lb (9 kg). Un panneau pesant moins de 18 lb (9 kg) est optimal.

Le gabarit de panneau de porte personnalisé fourni convient à des panneaux de 23 3/8 po (594) et 23 3/4 po (603) de largeur. Ajustez le gabarit en conséquence pour toutes les autres largeurs de panneau. Reportez-vous à l'illustration ci-dessous.

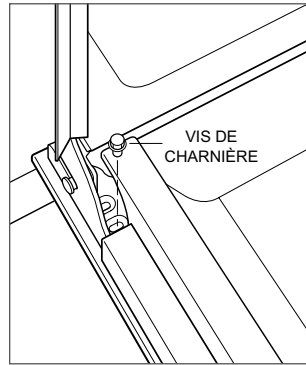


Gabarit pour panneau de porte personnalisé

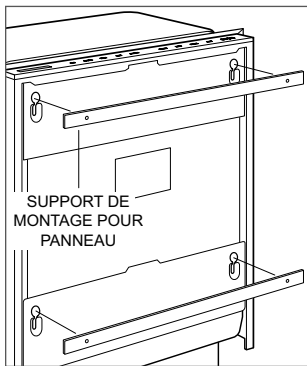
Panneau de porte

MONTAGE DU PANNEAU DE PORTE PERSONNALISÉ

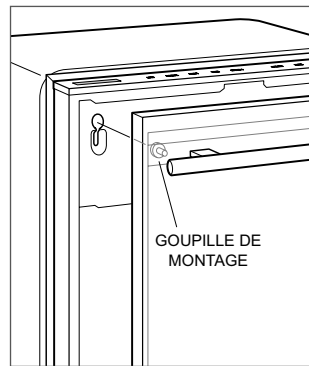
- 1 Retirez le gabarit de la porte du lave-vaisselle.
- 2 Placez le panneau personnalisé face vers le bas sur une surface de travail protégée.
- 3 Positionnez le gabarit à égalité avec le haut et les côtés du panneau, puis marquez et percez les trous.
- 4 Retirez les supports de montage du panneau personnalisé du lave-vaisselle en poussant vers l'intérieur et vers le haut sur chaque support. Reportez-vous à l'illustration ci-dessous.
- 5 Utilisez les vis fournies pour fixer les supports au panneau.
- 6 Alignez les goupilles de montage situées sur le panneau de porte avec les fentes correspondantes sur la porte du lave-vaisselle. Ensuite, poussez doucement le panneau vers l'intérieur et vers le bas pour le fixer en place. Reportez-vous à l'illustration ci-dessous.
- 7 Assurez-vous que le panneau est bien fixé contre la porte du lave-vaisselle, puis insérez une vis dans chaque charnière pour fixer le bas du panneau. Reportez-vous à l'illustration ci-dessous.



Vis de charnière



Supports de montage du panneau



Goupille de montage

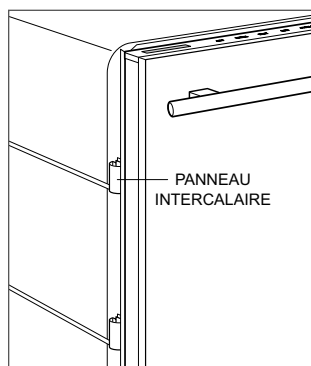
Installation

⚠ ATTENTION

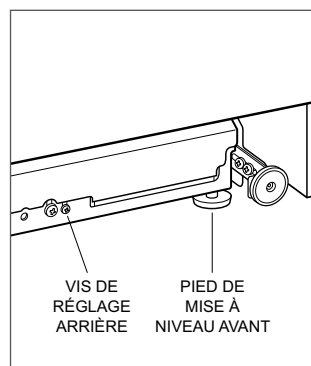
Ne placez ni couchez l'appareil sur son dos pendant l'installation ou le déplacement.

PRÉPARATION

- 1 Placez l'unité devant l'ouverture.
- 2 Pour les ouvertures inférieures à 24 po (610) de largeur, retirez les entretoises latérales en les poussant vers le haut. Reportez-vous à l'illustration ci-dessous.
- 3 Mesurez la hauteur de l'ouverture, puis ajustez les pieds de nivellement jusqu'à ce que la hauteur de l'unité soit légèrement inférieure à celle de l'ouverture. Reportez-vous à l'illustration ci-dessous.
- 4 Pour ajuster l'avant, tournez les pieds de nivellement dans le sens horaire pour relever l'unité ou dans le sens antihoraire pour l'abaisser. Pour ajuster l'arrière, tournez la vis de réglage arrière dans le sens antihoraire pour relever l'unité ou dans le sens horaire pour l'abaisser. Si le pied de nivellement arrière ne peut pas être relevé ou abaissé, inclinez légèrement le lave-vaisselle vers l'avant et tournez la vis de ce pied dans le sens antihoraire.
REMARQUE : L'appareil est conçu de manière à empêcher que le pied de nivellement arrière ne s'endommage s'il est tourné dans le mauvais sens.
- 5 Acheminez le cordon d'alimentation dans un trou d'accès dans l'armoire adjacente.
- 6 Acheminez le tube d'alimentation en eau et d'évacuation dans un trou d'accès dans l'armoire adjacente.



Entretoises latérales



Mise à niveau

RETRAIT DES PANIERS

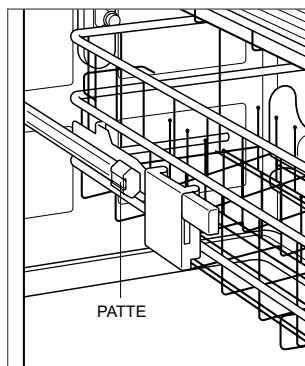
Retirez les paniers avant d'ancrer l'unité.

Pour retirer les paniers supérieur et du milieu :

- 1 Tirez le panier jusqu'à sa pleine extension.
- 2 Tirez sur l'onglet situé sur le côté des pinces de panier et retirez les pinces de l'extrémité de chaque glissière de panier. Reportez-vous à l'illustration ci-dessous.
- 3 Tirez le panier vers l'avant pour le retirer.

Pour retirer le panier inférieur :

- 1 Tirez le panier jusqu'à sa pleine extension.
- 2 Soulevez vers le haut et l'extérieur.



Retrait du panier

Installation

INSTALLATION

⚠ ATTENTION

Soyez prudent lorsque vous installez ou retirez l'appareil afin de réduire le risque d'endommager le cordon d'alimentation.

⚠ ATTENTION

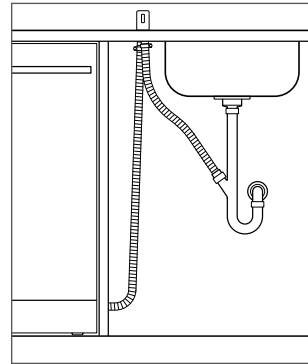
Pour les installations d'armoire en métal, communiquez avec le service à la clientèle de Cove pour obtenir un matériau pour protéger les rebords avant de procéder à l'installation.

- 1 Insérez l'unité dans l'ouverture et tirez les fournitures de plomberie et d'électricité excédentaires dans le trou d'accès pendant l'installation de l'unité.
- 2 Vérifiez que les fournitures de plomberie et d'électricité ne sont pas entortillées ou enroulées.

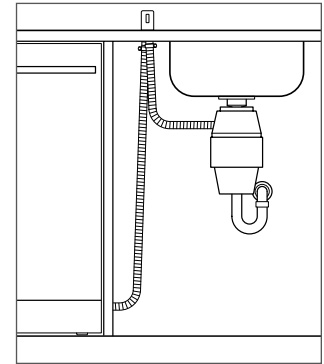
CONNEXIONS DE PLOMBERIE

REMARQUE IMPORTANTE : Si le lave-vaisselle est raccordé à un espace d'air, vérifiez que cet espace d'air n'est pas obstrué avant de connecter le tuyau de vidange.

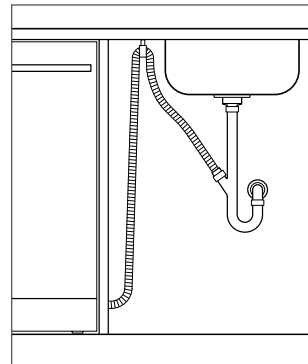
- 1 Reliez le tube d'évacuation conformément au code local. La connexion d'évacuation convient à des connexions d'évacuation de 1 po (25), 3/4 po (19) et 5/8 po (16). La connexion doit être coupée pour recevoir des connexions de 3/4 po (19) et 5/8 po (16). En cas de connexion avec un broyeur de déchets, retirez l'alvéole défonçable avant d'effectuer la connexion d'évacuation. La connexion du tube d'évacuation doit se trouver à une distance de 20 po (508) à 43 po (1 092) au-dessus de la partie inférieure des pieds de nivellement du lave-vaisselle. Reportez-vous aux illustrations fournies pour consulter les différentes options de connexion possibles.
- 2 Reliez la connexion d'alimentation en eau à l'alimentation en eau avec le raccord fourni.



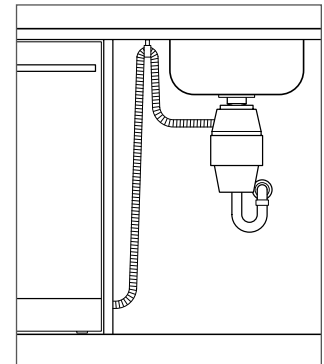
Espace d'air vers purgeur en P



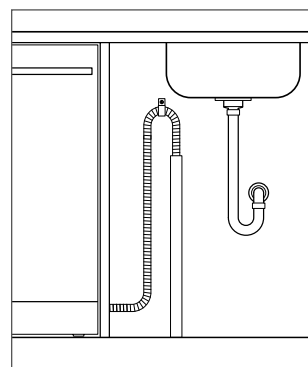
Espace d'air vers élimination



Boucle élevée vers purgeur en P



Boucle élevée vers élimination



Tube plongeur

Installation

MISE À NIVEAU

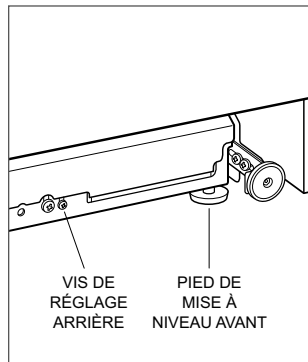
Pour ajuster l'avant, tournez les pieds de nivellement dans le sens horaire pour relever l'unité ou dans le sens antihoraire pour l'abaisser. Reportez-vous à l'illustration ci-dessous.

Pour ajuster l'arrière, tournez la vis de réglage arrière dans le sens antihoraire pour relever l'unité ou dans le sens horaire pour l'abaisser.

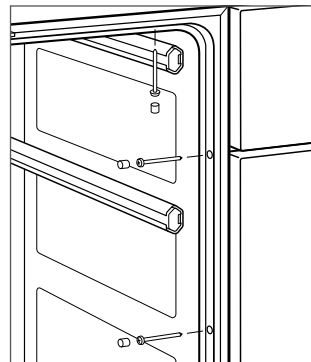
ANCRAGE

Fixez l'unité aux armoires adjacentes en utilisant les vis fournies. Ne serrez pas trop. Trop serrer risque de déformer l'unité pour ainsi créer des problèmes avec le joint de porte. Le cas échéant, fixez la partie supérieure de l'unité au comptoir au moyen des vis fournies.

Vérifiez la fermeture de la porte, puis installez les bouchons dans chaque trou de montage. Reportez-vous à l'illustration ci-dessous.



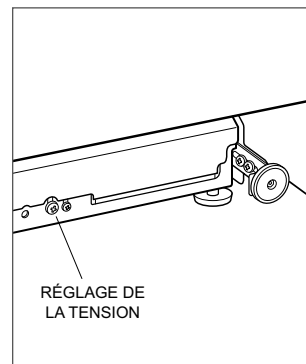
Mise à niveau



Ancrage

RÉGLAGE DE LA TENSION DE LA PORTE

La tension de la porte peut être réglée pour accommoder plusieurs masses de panneau. Le poids du panneau ne doit pas dépasser 20 lb (9 kg). Un panneau pesant moins de 18 lb (9 kg) est optimal. Tournez la vis de réglage dans le sens horaire pour augmenter la tension et dans le sens antihoraire pour réduire la tension. Reportez-vous à l'illustration ci-dessous.

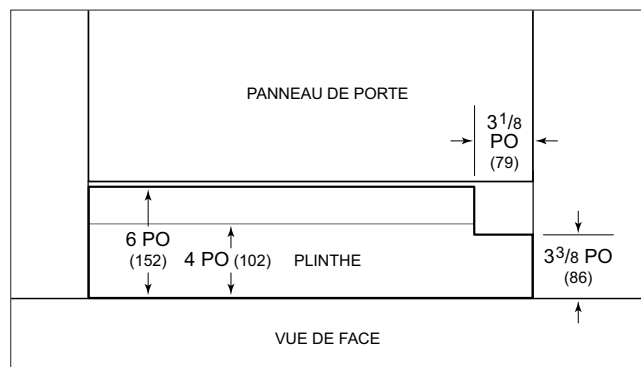


Réglage de la tension de la porte

Installation

PLINTHE PERSONNALISÉE

Si la plinthe personnalisée a une hauteur supérieure à $\frac{3}{8}$ de pouce (9,5 mm), le coin supérieur droit de cette plinthe doit être encoché afin de permettre une circulation d'air adéquate. Reportez-vous à l'illustration ci-dessous.



Encoche de la plaque de protection

ACHÈVEMENT

- 1 Ouvrez l'électricité et l'arrivée d'eau.
- 2 Pour les modèles avec adoucisseur d'eau, reportez-vous à la section Adoucisseur d'eau pour régler la dureté de l'eau, puis passez à l'étape suivante.
- 3 Installez toutes les paniers intérieurs et vérifiez leur bon fonctionnement.
- 4 Ouvrez et fermez la porte et vérifiez qu'elle se verrouille correctement.
- 5 Ajoutez du détergent dans le distributeur.
- 6 Exécutez un cycle rapide pour nettoyer l'intérieur et amorcer les pompes.
- 7 Vérifiez l'absence de fuites.

Adoucisseur d'eau

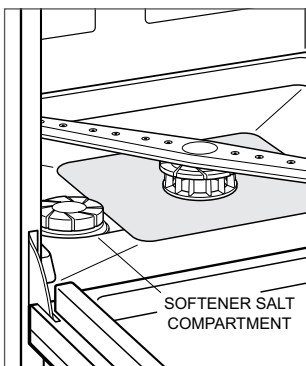
Pour les modèles à adoucisseur d'eau seulement, un compartiment de sel se trouve au fond à l'intérieur. Reportez-vous à l'illustration ci-dessous.

⚠ ATTENTION

N'ajoutez pas toute autre chose que du sel à lave-vaisselle au compartiment de sel.

Pour ajouter du sel adoucissant :

- 1 Tirez le panier inférieur vers l'avant, et si nécessaire, tournez le bras de pulvérisation inférieur loin du couvercle du compartiment.
- 2 Tournez le couvercle dans le sens antihoraire pour le retirer. Il est normal de voir de l'eau dans le réservoir.
- 3 Remplissez le compartiment d'eau. Vous n'aurez pas à ajouter de l'eau lors des remplissages subséquents.
- 4 Remplissez entièrement le compartiment avec du sel adoucissant pour lave-vaisselle.
- 5 Une fois rempli, nettoyez tout excédent de sel se trouvant sur les filets du compartiment de sel, puis tournez le couvercle dans le sens horaire pour le fermer solidement.



Compartiment de sel adoucissant

DURETÉ DE L'EAU

Pour les modèles à adoucisseur d'eau seulement, utilisez la bande d'essai et le tableau ci-dessous pour déterminer le paramètre de dureté d'eau approprié. Reportez-vous au tableau ci-dessous pour déterminer le paramètre de dureté de l'eau.

RÉGLAGE	DURETÉ
0 (paramètre par défaut)	0 à 4 g/gal
1	5 à 6 g/gal
2	7 à 8 g/gal
3	9 à 11 g/gal
4	12 à 13 g/gal
5	14 à 15 g/gal
6	16 à 17 g/gal
7	18 à 19 g/gal
8	20 à 22 g/gal
9	23 à 24 g/gal
10	25+ g/gal

Réglage des options de l'utilisateur :

- 1 Appuyez sur Cancel (Annuler) deux fois.
- 2 Appuyez longuement sur la touche Options pendant environ 10 secondes jusqu'à ce que le message « Configuration de l'utilisateur » s'affiche sur l'écran.
- 3 Appuyez sur Options plusieurs fois pour faire défiler la dureté de l'eau.
- 4 Appuyez sur Enter (Entrée) plusieurs fois pour faire défiler jusqu'à l'option voulue.
- 5 Appuyez sur Cancel (Annuler) pour enregistrer les paramètres et quitter la configuration utilisateur.

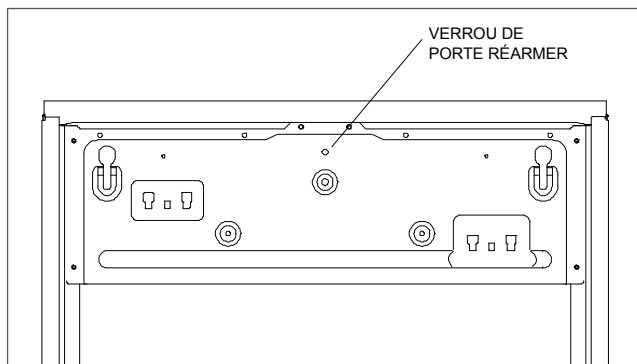
Dépannage

Le lave-vaisselle ne fonctionne pas.

- Assurez-vous que l'unité est sous tension.
- Vérifiez que l'alimentation électrique vers le lave-vaisselle est bien présente et que le disjoncteur du circuit électrique de la résidence est en position marche.
- Vérifiez que le verrouillage pour enfants, la fonction Shabbat et le mode salle de démonstration ne sont pas activés.

Le loquet de la porte ne fonctionne pas et/ou les commandes ne répondent pas.

- Retirer le panneau de porte, s'il est installé. Insérez un petit outil dans le trou situé à l'avant de l'appareil jusqu'à ce qu'il s'enclenche. Reportez-vous à l'illustration ci-dessous.



Emplacement du trou de réarmement du loquet de porte



COVE APPLIANCE, INC. P.O. BOX 44848 MADISON, WI 53744 COVEAPPLIANCE.COM 800.222.7820

9054688 REV-B

05/2024

