

**30" BUILT-IN OVENS AND COMPANIONS  
CONTEMPORARY**

---

PLANNING GUIDE

---

**SERIES 7, 9 & 11**

**DOUBLE OVEN** | OB30DDPTDX2

**OVEN** | OB30SDPTDX2, OB30SD17PLX1, OB30SD14PLX1

**STEAM OVEN** | OS30SDTDX1, OS30SDLX1, OS30NDTDX1, OS30NDLX1

**SPEED OVEN** | OM30NDTDX1, OM30NDLX1

**BUILT-IN COFFEE MAKER** | EB24DSX1

**TRIM KIT** | TK7630NDX1

**WARMING DRAWER** | WB30SDX1-SET, WB30SDB1-SET

**VACUUM SEAL DRAWER** | VB30SDX1-SET, VB30SDB1-SET

**FISHER & PAYKEL**

This comprehensive Planning Guide provides you with the framework and tools to achieve your desired design outcome with Fisher & Paykel appliances. In this guide, you will find a range of conceptual, detailed and dimensional product information to bring your ideas to life and create spaces that truly reflect your vision.

**CONTENTS**

CONCEPT DESIGN	PAGE	DEVELOPED AND DETAILED DESIGN	PAGE	DEVELOPED AND DETAILED DESIGN	PAGE
<b>Design Choices</b>		<b>Specification Guides - SERIES 7</b>		<b>Planning Considerations</b>	<b>34</b>
Ovens and Companions - ALL MODELS	<b>4</b>	Oven	<b>18</b>	Cabinetry Preparation - ALL MODELS	<b>35</b>
Screen Size - ALL MODELS	<b>5</b>	Oven	<b>19</b>	Configurations - ALL MODELS	<b>36</b>
Configurations - ALL MODELS	<b>6</b>	Combination Steam Oven	<b>20</b>	Double Oven	<b>37</b>
Overview - ALL MODELS	<b>7</b>	Combination Steam Oven	<b>21</b>	Oven	<b>38</b>
		Convection Speed Oven	<b>22</b>	Combination Steam Oven	<b>39</b>
<b>Specification Guides - SERIES 9 &amp; 11</b>		Dimensions - ALL MODELS	<b>23</b>	Combination Steam Oven	<b>40</b>
Double Oven	<b>9</b>	Power, Weight and Capacity - ALL MODELS	<b>24</b>	Convection Speed Oven	<b>41</b>
Oven	<b>10</b>			Built-in Coffee Maker with Trim Kit	<b>42</b>
Combination Steam Oven	<b>11</b>	<b>Data Sheets</b>	<b>25</b>	Warming Drawer	<b>43</b>
Combination Steam Oven	<b>12</b>	Double Oven	<b>26</b>	Vacuum Seal Drawer	<b>44</b>
Convection Speed Oven	<b>13</b>	Oven	<b>27</b>		
Built-in Coffee Maker with Trim Kit	<b>14</b>	Combination Steam Oven	<b>28</b>	<b>Services</b>	<b>45</b>
Warming Drawer	<b>15</b>	Combination Steam Oven	<b>29</b>	Power Cord Length and Location - COMPANIONS	<b>46</b>
Vacuum Seal Drawer	<b>16</b>	Convection Speed Oven	<b>30</b>	Power Cord Length and Location - STEAM AND SPEED	<b>47</b>
		Built-in Coffee Maker with Trim Kit	<b>31</b>	Power Cord Length and Location - OVENS	<b>48</b>
		Warming Drawer	<b>32</b>		
		Vacuum Seal Drawer	<b>33</b>		

The models shown in this Planning Guide may not be available in all markets and are subject to change at any time. Product specifications may vary from those shown. This Planning Guide should not be used as installation guidance for any product. Further information is required to safely and correctly install the products featured here. Specific installation guidance will be available on our website [fisherpaykel.com](http://fisherpaykel.com)

## DESIGN CHOICES

COLOUR

OVENS

COMPANIONS

INSTALLATION OPTIONS

OVEN

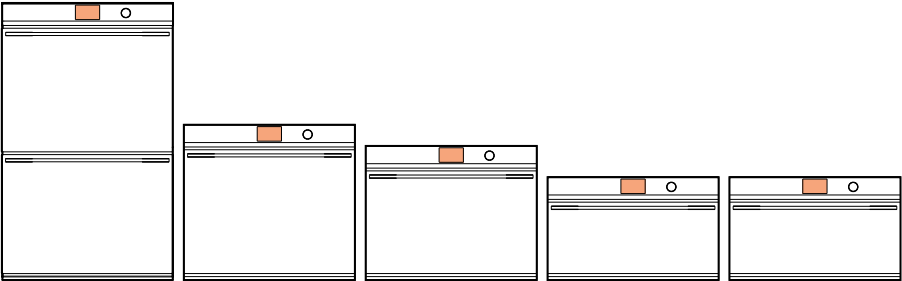
COMBINATION STEAM

CONVECTION SPEED

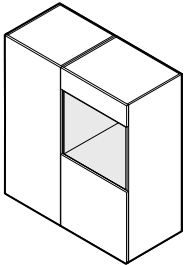
BUILT-IN COFFEE  
MAKER

WARMING DRAWER

VACUUM SEAL DRAWER



SERIES 9 & 11



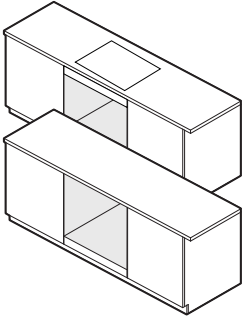
INSTALLATION IN WALL



STAINLESS  
STEEL

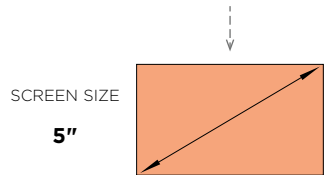
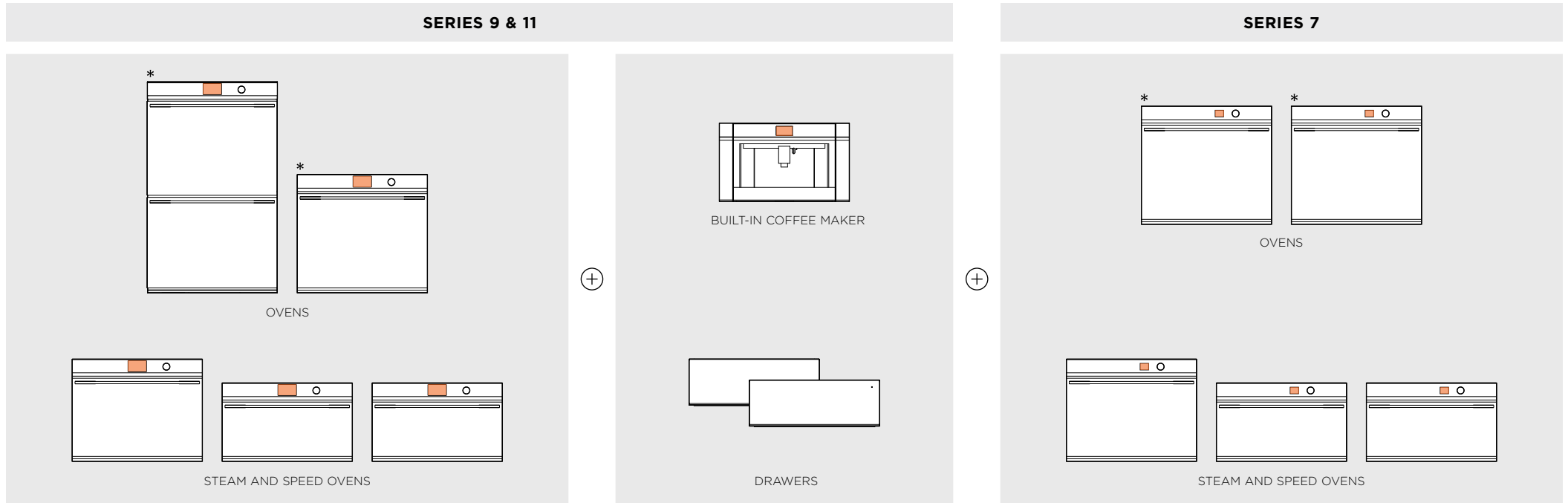


SERIES 7



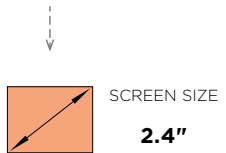
INSTALLATION  
UNDER-BENCH

The models shown in this Planning Guide may not be available in all markets and are subject to change at any time. Product specifications may vary from those shown. This Planning Guide should not be used as installation guidance for any product. Further information is required to safely and correctly install the products featured here. Specific installation guidance will be available on our website fisherpaykel.com



**INSTALLATION CONSIDERATIONS**  
All models can be installed together but consider screen size and product height for multiple installation.

**IMPORTANT NOTE**  
\* Thickness of oven front and control panel (excl. handle and dials) on these models is 40mm. All other products are 20mm.



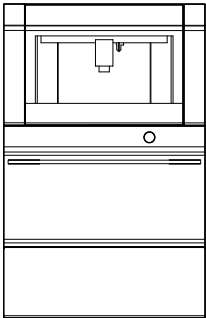
<b>OVENS</b>	
Double Oven	OB30DDPTDX2
Oven	OB30SDPTDX2
<b>STEAM AND SPEED OVENS</b>	
Combination Steam Oven	OS30SDTDX1
Combination Steam Oven	OS30NDTDX1
Convection Speed Oven	OM30NDTDX1

<b>BUILT-IN COFFEE MAKER</b>	
Built-In Coffee Maker	EB24DSX1
Trim Kit	TK7630NDX1
<b>DRAWERS</b>	
Warming Drawer	WB30SDX1-SET
Warming Drawer	WB30SDB1-SET
Vacuum Seal Drawer	VB30SDX1-SET
Vacuum Seal Drawer	VB30SDB1-SET

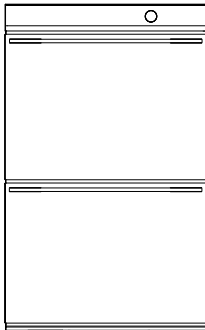
<b>BUILT-IN OVENS</b>	
Oven	OB30SD17PLX1
Oven	OB30SD14PLX1
<b>STEAM AND SPEED OVENS</b>	
Combination Steam Oven	OS30SDLX1
Combination Steam Oven	OS30NDLX1
Convection Speed Oven	OM30NDLX1

**STACKED INSTALLATION**

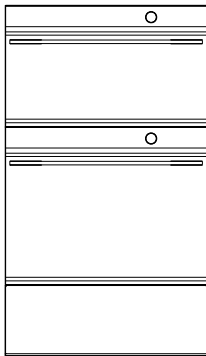
Stack Height  
46 7/8" (1191mm)



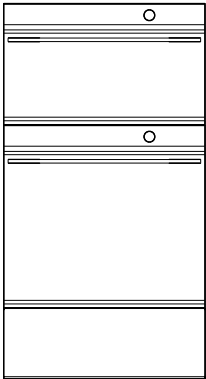
Stack Height  
48 19/32" (1234mm)



Stack Height  
52 13/32" (1331mm)

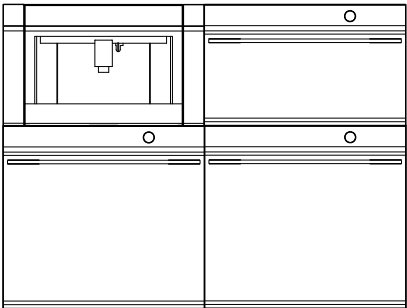


Stack Height  
56 1/32" (1423mm)



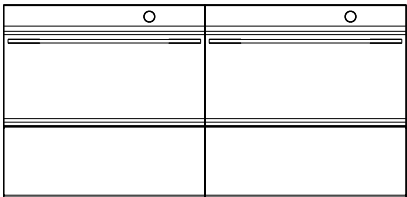
**GRID INSTALLATION**

Stack Height  
45 11/32" (1152mm)

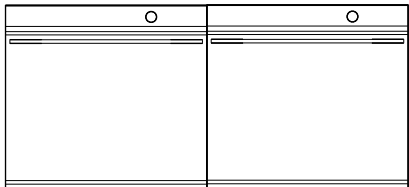


**ROW INSTALLATION**

Stack Height  
28 25/32" (731mm)



Stack Height  
27 1/4" (692mm)

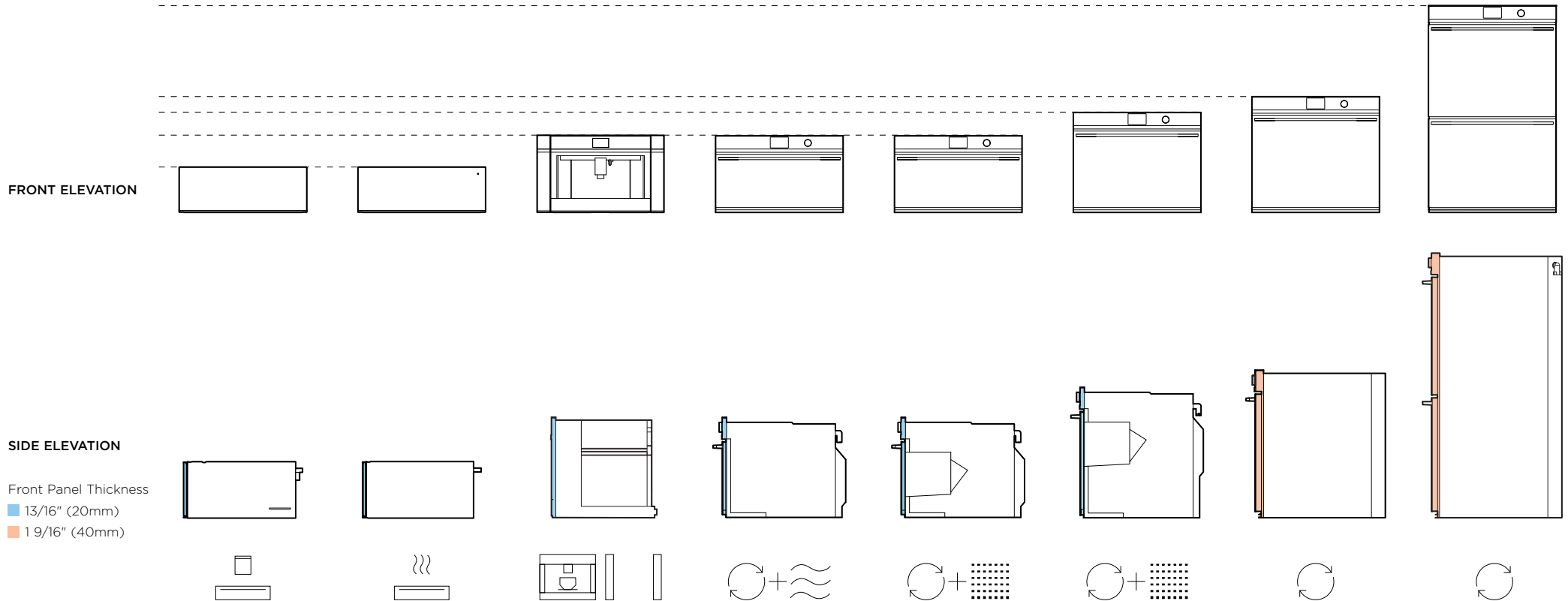


**CONSIDERATIONS**

Different configurations possible, consider heights for row and grid installations.

Note: Stack Height is overall product height with minimum clearance above appliance front panel to upper cabinetry front panel or appliance.

The models shown in this Planning Guide may not be available in all markets and are subject to change at any time. Product specifications may vary from those shown. This Planning Guide should not be used as installation guidance for any product. Further information is required to safely and correctly install the products featured here. Specific installation guidance will be available on our website fisherpaykel.com



	WARMING DRAWER	VACUUM SEAL DRAWER	BUILT-IN COFFEE MAKER WITH TRIM KIT	CONVECTION SPEED OVEN	COMBINATION STEAM OVEN	COMBINATION STEAM OVEN	OVEN	DOUBLE OVEN
<b>Series</b>	Series 9	Series 9	Series 9	Series 9 and Series 7	Series 9 and Series 7	Series 11 and Series 7	Series 9 and Series 7	Series 9
<b>Model Code</b>	VB30SDX1-SET VB30SDB1-SET	WB30SDX1-SET WB30SDB1-SET	EB24DSX1 Trim Kit TK7630NDX1	OM30NDTDX1 OM30NDLX1	OS30NDTDX1 OS30NDLX1	OS30SDTDX1 OS30SDLX1	OB30SDPTDX2 OB30SD17PLX1 OB30SD14PLX1	OB30DDPTDX2
<b>Interface</b>	-	-	4.3" Touchscreen	5" Touchscreen, Dial Control 2.4" Screen, Dial Control	5" Touchscreen, Dial Control 2.4" Screen, Dial Control	5" Touchscreen, Dial Control 2.4" Screen, Dial Control	5" Touchscreen, Dial Control 2.4" Screen, Dial Control	5" Touchscreen
<b>Height</b>	10 11/16" (271mm)	10 11/16" (271mm)	18" (458mm)	18" (458mm)	18" (458mm)	23 9/16" (598mm)	27 3/16" (690mm)	48 1/2" (1232mm)
<b>Front Panel Thickness</b>	13/16" (20mm)	13/16" (20mm)	13/16" (20mm)	13/16" (20mm)	13/16" (20mm)	13/16" (20mm)	1 9/16" (40mm)	1 9/16" (40mm)

The models shown in this Planning Guide may not be available in all markets and are subject to change at any time. Product specifications may vary from those shown. This Planning Guide should not be used as installation guidance for any product. Further information is required to safely and correctly install the products featured here. Specific installation guidance will be available on our website [fisherpaykel.com](http://fisherpaykel.com)

# **SPECIFICATION GUIDE**

SERIES 9 & 11



### OVERVIEW

Enhance your kitchen design with the refined styling of the 30" Double Oven. Complementing the other products in our Contemporary collection, you can create a coherent, considered look with ease. Intuitive controls and the performance to deliver perfect results make this double oven beautiful to use.

### PRODUCTS

#### OB30DDPTDX2

Double Oven, 30", 17 Function, Self-cleaning, 4.1 + 4.1cu ft, Touchscreen, Dial Controls, Stainless Steel

### SERIES & STYLE

Series 9  
Contemporary

### FEATURES

- ① Designed to fit flush with cabinetry
- ② Styled to perfectly match our Contemporary kitchen appliances
- ③ Generous 4.1cu ft total capacity per oven
- ④ High-resolution, user-friendly touch display
- ⑤ Guided cooking and recipes
- ⑥ Perfect results from a variety of oven functions
- ⑦ Even heat distribution throughout with AeroTech™ technology
- ⑧ Self-cleaning
- ⑨ CoolTouch door
- ⑩ Wi-Fi/Connected capability through the SmartHQ™ app

### ACCESSORIES

- ① Full Extension Sliding Shelves\*
- ② Self-cleaning-proof side racks\*
- ③ Roasting dish, tray and rack\*
- ④ Wired Temperature Sensor\*

\*Included with product



The models shown in this Planning Guide may not be available in all markets and are subject to change at any time. Product specifications may vary from those shown. This Planning Guide should not be used as installation guidance for any product. Further information is required to safely and correctly install the products featured here. Specific installation guidance will be available on our website [fisherpaykel.com](https://fisherpaykel.com)



### OVERVIEW

Enhance your kitchen design with the refined styling. Complementing the other products in our Contemporary collection, you can create a coherent, considered look with ease. Intuitive controls and the performance to deliver perfect results make this oven beautiful to use.

### PRODUCTS

#### OB30SDPTDX2

Oven, 30", 17 Function, 4.1cu ft, Touchscreen, Dial Controls, Stainless Steel

### SERIES & STYLE

Series 9  
Contemporary

### FEATURES

- ① Designed to fit flush with cabinetry
- ② Styled to perfectly match our Contemporary kitchen appliances
- ③ Generous 4.1cu ft total capacity
- ④ High-resolution, user-friendly touch display
- ⑤ Guided cooking and recipes
- ⑥ Perfect results from a variety of oven functions
- ⑦ Even heat distribution throughout with AeroTech™ technology
- ⑧ Self-cleaning
- ⑨ Wireless Temperature Sensor precisely monitors cooking in real time. Purchased separately
- ⑩ Wi-Fi/Connected capability through the SmartHQ™ app

### ACCESSORIES

- ① Full Extension Sliding Shelves\*
- ② Self-cleaning-proof side racks\*
- ③ Roasting dish, tray and rack\*
- ④ Wired Temperature Sensor\*
- ⑤ Wireless temperature sensor - Part WTSC1

\*Included with product



The models shown in this Planning Guide may not be available in all markets and are subject to change at any time. Product specifications may vary from those shown. This Planning Guide should not be used as installation guidance for any product. Further information is required to safely and correctly install the products featured here. Specific installation guidance will be available on our website [fisherpaykel.com](http://fisherpaykel.com)



## OVERVIEW

With timeless Contemporary styling, the compact Combination Steam Oven fits seamlessly into any kitchen. As a companion product, this Steam Oven is designed to install easily and fit perfectly with other companion products. It features 23 functions, including steam-only, convection-only, or a combination of both. Reduce the need for oils and fats with six standalone steam functions, perfect for creating flavorful and healthy restaurant-quality meals at home. Beautiful to use, the large 5" touchscreen interface has simple and intuitive guided cooking, helping to ensure perfect results.

## PRODUCTS

### OS30SDTDX1

Combination Steam Oven, 30", 23 Function

## SERIES & STYLE

Series 11  
Contemporary

## ACCESSORIES

- ① 2x Full Extension Sliding Shelves\*
- ② Step Down Wire Shelf\*
- ③ Broil Pan\*
- ④ Broil Rack\*
- ⑤ Broil Grid\*

## FEATURES

- ① Contemporary style, designed to fit flush with cabinetry
- ② Generous 3cu ft total capacity with six shelf positions
- ③ Intuitive, large 5" touchscreen display with illuminated dial
- ④ 23 oven functions including Steam, Sous Vide, Air Fry and Crisp Regenerate
- ⑤ Guided touchscreen cooking makes it simple to cook by food, function or recipe
- ⑥ Moisture control and even heat distribution thanks to ActiveVent and AeroTech™ technology
- ⑦ 47.3 fl oz water tank
- ⑧ Wi-Fi enabled and works with the SmartHQ™ app for remote control and notifications
- ⑨ Steam Clean function ensures a spotless oven with minimal effort
- ⑩ Soft open and close door

## ACCESSORIES

- ⑥ Perforated Large Steam Dish\*
- ⑦ Perforated Small Steam Dish\*
- ⑧ Large Steam Dish\*
- ⑨ Wired Temperature Sensor\*
- ⑩ Catalytic Panel\*
- ⑪ Descale solution\* - 2 sachets (Part 580925)

\*Included with product

The models shown in this Planning Guide may not be available in all markets and are subject to change at any time. Product specifications may vary from those shown. This Planning Guide should not be used as installation guidance for any product. Further information is required to safely and correctly install the products featured here. Specific installation guidance will be available on our website [fisherpaykel.com](http://fisherpaykel.com)



## OVERVIEW

With timeless Contemporary styling, the compact Combination Steam Oven fits seamlessly into any kitchen. As a companion product, this Steam Oven is designed to install easily and fit perfectly with other companion products. It features 23 functions, including steam-only, convection-only, or a combination of both. Reduce the need for oils and fats with six standalone steam functions, perfect for creating flavorful and healthy restaurant-quality meals at home. Beautiful to use, the large 5" touchscreen interface has simple and intuitive guided cooking, helping to ensure perfect results.

## PRODUCTS

### OS30NDTDX1

Combination Steam Oven, 30", 23 Function

## SERIES & STYLE

Series 9  
Contemporary

## ACCESSORIES

- ① Full Extension Sliding Shelf\*
- ② Wire Shelf\*
- ③ Broil Pan\*
- ④ Broil Rack\*
- ⑤ Perforated Large Steam Dish

## FEATURES

- ① Contemporary style, designed to fit flush with cabinetry
- ② Generous 1.9 cu ft total capacity with six shelf positions
- ③ Intuitive, large 5" touchscreen display with illuminated dial
- ④ 23 oven functions including Steam, Sous Vide, Air Fry and Crisp Regenerate
- ⑤ Guided touchscreen cooking makes it simple to cook by food, function or recipe
- ⑥ Moisture control and even heat distribution thanks to ActiveVent and AeroTech™ technology
- ⑦ 47.3 fl oz water tank
- ⑧ Wi-Fi enabled and works with the SmartHQ™ app for remote control and notifications
- ⑨ Steam Clean function ensures a spotless oven with minimal effort
- ⑩ Soft open and close door

## ACCESSORIES

- ⑥ Perforated Small Steam Dish\*
- ⑦ Large Steam Dish\*
- ⑧ Wired Temperature Sensor\*
- ⑨ Catalytic Panel\*
- ⑩ Descale solution\* - 2 sachets (Part 580925)

\*Included with product

The models shown in this Planning Guide may not be available in all markets and are subject to change at any time. Product specifications may vary from those shown. This Planning Guide should not be used as installation guidance for any product. Further information is required to safely and correctly install the products featured here. Specific installation guidance will be available on our website [fisherpaykel.com](https://fisherpaykel.com)



**OVERVIEW**

With timeless Contemporary styling, the Convection Speed Oven fits seamlessly into any kitchen. As a companion product, this Speed Oven is designed to install easily and fit perfectly with other companion products such as the Combination Steam Oven, or Vacuum Seal Drawer. A flexible appliance that pairs the speed of microwave cooking with oven technology, which can crisp and brown as it cooks. Featuring 22 cooking functions on an intuitive touch display for easy programming of desired cooking mode and duration.

**PRODUCTS**

**OM30NDDTX1**

Convection Speed Oven, 30", 22 Function

**SERIES & STYLE**

Series 9  
Contemporary



**FEATURES**

- ① Contemporary style, designed to fit flush with cabinetry
- ② 1.7 cu ft total capacity
- ③ Intuitive, large 5" touchscreen display with illuminated dial
- ④ Four microwave-only functions, 14 traditional oven functions, and four combination functions
- ⑤ A Wired Temperature Sensor precisely monitors cooking in real time
- ⑥ Guided cooking, with the option to access additional functionality via the SmartHQ™ app
- ⑦ Wi-Fi/Connected capability through the SmartHQ™ app
- ⑧ Soft open and close door

**ACCESSORIES**

- ① Wire Shelf\*
- ② Chrome Shelf Runner\*
- ③ Step Down Wire Shelf\*
- ④ Broil Rack\*
- ⑤ Glass Tray\*
- ⑥ Wired Temperature Sensor\*

\*Included with product

The models shown in this Planning Guide may not be available in all markets and are subject to change at any time. Product specifications may vary from those shown. This Planning Guide should not be used as installation guidance for any product. Further information is required to safely and correctly install the products featured here. Specific installation guidance will be available on our website [fisherpaykel.com](http://fisherpaykel.com)



**OVERVIEW**

The Built-in Coffee Maker features a stylish stainless steel finish and can be installed in multiple configurations to suit kitchen design and preference. With 13 beverage options, our Coffee Maker is designed to consistently pour delicious coffee - from Flat White to Latte or Americano. Favourite coffee styles are memorized for a fast brew with the push of a button. A programmable timer turns the Coffee Maker on at the ideal time each day, while the conical burr grinder delivers a consistent grind for a perfect coffee.

**PRODUCTS**

**EB24DSX1**

Built-in Coffee Maker, 24", Touchscreen, Stainless Steel

**TK7630NDX1**

Companion Trim Kit, 30", Stainless Steel

Note: Trim Kit purchased separately.

**SERIES & STYLE**

Series 9

Contemporary

**FEATURES**

- ① Designed to pair perfectly with 30" ovens and companion products
- ② Stylish stainless steel finish
- ③ Install in multiple configurations to suit your kitchen design
- ④ Intuitive touch display
- ⑤ 13 functions to suit any taste and selection - from Espresso to Latte
- ⑥ Personalized coffee and smart self-learning menu preferences
- ⑦ Stainless steel conical burr grinder with 13 coarseness positions
- ⑧ 15 bar pump pressure
- ⑨ Self-cleaning function and easy to empty coffee grounds container and drip tray
- ⑩ 84ft oz (2.5L) water tank capacity

**ACCESSORIES**

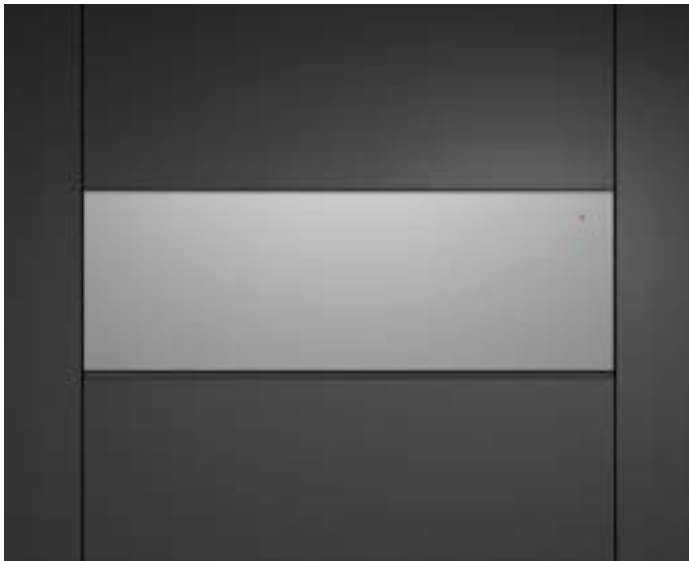
- ① Thermal milk jug 17ft oz (0.5L)\*
- ② Water filter\*
- ③ Coffee spoon\*
- ④ Extractable steam outlet\*
- ⑤ Descaling agent bottle\*

\*Included with product

The models shown in this Planning Guide may not be available in all markets and are subject to change at any time. Product specifications may vary from those shown. This Planning Guide should not be used as installation guidance for any product. Further information is required to safely and correctly install the products featured here. Specific installation guidance will be available on our website [fisherpaykel.com](http://fisherpaykel.com)



Warming Drawer, WB30SDB1-SET Black Glass, paired with Oven OB30SDPTDX2



Warming Drawer, WB30SDX1-SET Stainless Steel

**OVERVIEW**

Designed to complement our Minimal and Contemporary ovens, these warming drawers are handle-free, and push-to-open for a coherent, considered look. Beautiful to use, with capacitive touch controls and six tailored functions for warming, proofing, dehydrating and slow cook. Pair with other companion products to create a kitchen suite for every need.

**PRODUCTS**

**WB30SDB1-SET**

Warming Drawer, 30", Black Glass

**WB30SDX1-SET**

Warming Drawer, 30", Stainless Steel

**SERIES & STYLE**

Series 9  
Contemporary - Black Glass

Series 9  
Contemporary - Stainless Steel

**FEATURES**

- ① Styled to perfectly match our Minimal and Contemporary kitchen appliances
- ② Seamless pairing with other companion products in either stylish black reflective glass or brushed stainless steel
- ③ Push-to-open drawer
- ④ Easy-to-use capacitive touch controls
- ⑤ Automatic timing and switch-off functionality
- ⑥ Easy-to-clean, smooth-glass base
- ⑦ Room for 16 standard-sized place settings
- ⑧ Versatile with six tailored programmes for warming, proofing, dehydrating and slow cook

**ACCESSORIES**

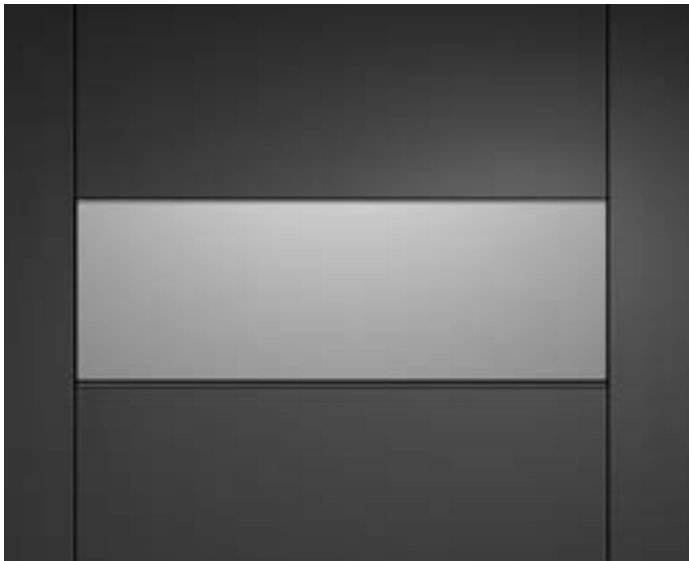
- ① Accessory rack for optimizing space\*

\*Included with product

The models shown in this Planning Guide may not be available in all markets and are subject to change at any time. Product specifications may vary from those shown. This Planning Guide should not be used as installation guidance for any product. Further information is required to safely and correctly install the products featured here. Specific installation guidance will be available on our website [fisherpaykel.com](http://fisherpaykel.com)



Vacuum Seal Drawer, VB30SDB1-SET Back Glass, paired with Oven OB30SDPTDX2



Vacuum Seal Drawer, VB30SDX1-SET Stainless Steel

**OVERVIEW**

Designed to complement our Combination Steam Ovens, these vacuum seal drawers are handle-free, and push-to-pen for a coherent, considered look. Beautiful to use, with capacitive touch controls and three levels of vacuuming and sealing to deliver perfect results. Pair with other companion products to create a kitchen suite for every need.

**PRODUCTS**

**VB30SDB1-SET**

Vacuum Seal Drawer, 30", Black Glass

**VB30SDX1-SET**

Vacuum Seal Drawer, 30", Stainless Steel

**SERIES & STYLE**

Series 9  
Contemporary - Black Glass

Series 9  
Contemporary - Stainless Steel

**FEATURES**

- ① Styled to perfectly match our Minimal and Contemporary kitchen appliances
- ② Push-to-open drawer
- ③ Three levels of vacuum and heat sealing
- ④ Easy-to-use capacitive touch controls
- ⑤ Easy-to-clean stainless steel interior
- ⑥ Vacuum sealing for easy food portioning, marinating, storage and extended food life
- ⑦ Sealing to capture and intensify flavors and retain nutrients
- ⑧ Effortless preparation for sous vide cooking
- ⑨ External vacuuming to remove air from glass jars and bottles
- ⑩ Additional storage drawer

**ACCESSORIES**

- ① Large vacuum bags - 50 Bags, Part 793034
- ② Small vacuum bags - 50 Bags, Part 793033
- ③ Adapter accessory kit for external vacuuming\*

\*Included with product

The models shown in this Planning Guide may not be available in all markets and are subject to change at any time. Product specifications may vary from those shown. This Planning Guide should not be used as installation guidance for any product. Further information is required to safely and correctly install the products featured here. Specific installation guidance will be available on our website [fisherpaykel.com](http://fisherpaykel.com)

# **SPECIFICATION GUIDE**

## SERIES 7



## OVERVIEW

Designed to fit seamlessly into any kitchen with Contemporary styling. Achieve perfect results with Aerotech™ technology which circulates heat evenly throughout the cavity, ideal for multi-shelf cooking. Beautiful to use, the intuitive interface and dial offer simple guided cooking, while Pyrolytic self-cleaning breaks down grime and grease, to keep the oven pristine for the next use.

## PRODUCTS

### OB30SD17PLX1

Oven, 30", 18 Function, Self-Cleaning, Dial Controls, Stainless Steel

## SERIES & STYLE

Series 7  
Contemporary

## FEATURES

- ① Designed to fit flush with cabinetry
- ② Styled to perfectly match our Contemporary kitchen appliances
- ③ Generous 4.1cu ft total capacity
- ④ Intuitive 2.4" screen with illuminated dial
- ⑤ Perfect results from a variety of oven functions
- ⑥ Even heat distribution throughout with AeroTech™ technology
- ⑦ Pyrolytic self-cleaning function breaks down food residue for an easy clean
- ⑧ CoolTouch door
- ⑨ Wired Temperature Sensor
- ⑩ Wi-Fi/Connected capability through the SmartHQ™ app

## ACCESSORIES

- ① Full Extension Sliding Shelves\*
- ② Self-cleaning-proof side racks\*
- ③ Roasting dish, tray and rack\*
- ④ Food probe\*

\*Included with product

The models shown in this Planning Guide may not be available in all markets and are subject to change at any time. Product specifications may vary from those shown. This Planning Guide should not be used as installation guidance for any product. Further information is required to safely and correctly install the products featured here. Specific installation guidance will be available on our website [fisherpaykel.com](https://fisherpaykel.com)



## OVERVIEW

Designed to fit seamlessly into any kitchen with Contemporary styling. Achieve perfect results with Aerotech™ technology which circulates heat evenly throughout the cavity, ideal for multi-shelf cooking. Beautiful to use, the intuitive interface and dial offer simple guided cooking, while Pyrolytic self-cleaning breaks down grime and grease to keep the oven pristine for the next use.

## PRODUCTS

### OB30SD14PLX1

Oven, 30", 18 Function, Self-Cleaning, Dial Controls, Stainless Steel

## SERIES & STYLE

Series 7  
Contemporary

## FEATURES

- ① Designed to fit flush with cabinetry
- ② Styled to perfectly match our Contemporary kitchen appliances
- ③ Generous 4.1cu ft total capacity
- ④ Intuitive 2.4" screen with illuminated dial
- ⑤ Perfect results from a variety of oven functions
- ⑥ Even heat distribution throughout with AeroTech™ technology
- ⑦ Pyrolytic self-cleaning function breaks down food residue for an easy clean
- ⑧ CoolTouch door
- ⑨ Wired Temperature Sensor
- ⑩ Wi-Fi/Connected capability through the SmartHQ™ app

## ACCESSORIES

- ① Full Extension Sliding Shelves\*
- ② Self-cleaning-proof side racks\*
- ③ Roasting dish, tray and rack\*
- ④ Wired Temperature Sensor\*

\*Included with product

The models shown in this Planning Guide may not be available in all markets and are subject to change at any time. Product specifications may vary from those shown. This Planning Guide should not be used as installation guidance for any product. Further information is required to safely and correctly install the products featured here. Specific installation guidance will be available on our website [fisherpaykel.com](https://fisherpaykel.com)



### OVERVIEW

With timeless Contemporary styling, the Combination Steam Oven fits seamlessly into any kitchen. It features 23 functions, including steam-only, convection-only, or a combination of both. Reduce the need for oils and fats with six standalone steam functions, perfect for creating flavourful and healthy restaurant-quality meals at home. Beautiful to use, the 2.4" screen interface has simple and intuitive guided cooking, helping to ensure perfect results.

### PRODUCTS

#### OS30SDLX1

Combination Steam Oven, 30", 23 Function, Dial Controls

### SERIES & STYLE

Series 7

Contemporary

### ACCESSORIES

- ① Telescopic Clip-On Runners\*
- ② Step Down Wire Shelf\*
- ③ Wire Shelf\*
- ④ Broiling Pan\*
- ⑤ Broil Rack\*

### FEATURES

- ① Contemporary style, designed to fit flush with cabinetry
- ② Generous 3 cu ft total capacity with six shelf positions
- ③ Intuitive 2.4" screen with illuminated dial
- ④ 23 oven functions including Steam, Sous Vide, Air Fry and Crisp Regenerate
- ⑤ Guided touchscreen cooking makes it simple to cook by food, function or recipe
- ⑥ Moisture control and even heat distribution thanks to ActiveVent and AeroTech™ technology
- ⑦ 47.3 fl oz water tank
- ⑧ Wi-Fi enabled and works with the SmartHQ™ app for remote control and notifications
- ⑨ Steam Clean function ensures a spotless oven with minimal effort
- ⑩ Soft open and close door

### ACCESSORIES

- ⑥ Perforated Large Steam Dish\*
- ⑦ Large Steam Dish\*
- ⑧ Descale solution\* - 2 sachets (Part 580925)

\*Included with product



The models shown in this Planning Guide may not be available in all markets and are subject to change at any time. Product specifications may vary from those shown. This Planning Guide should not be used as installation guidance for any product. Further information is required to safely and correctly install the products featured here. Specific installation guidance will be available on our website [fisherpaykel.com](https://fisherpaykel.com)



**OVERVIEW**

With timeless Contemporary styling, the Combination Steam Oven fits seamlessly into any kitchen. As a companion product, this oven is designed to install easily and fit perfectly with other companion products such as the Combination Microwave Oven, or Vacuum Seal Drawer. It features 18 functions, including steam-only, convection-only, or a combination of both. Reduce the need for oils and fats with six standalone steam functions, perfect for creating flavorful and healthy restaurant-quality meals at home.

**PRODUCTS**

**OS30NDLX1**

Combination Steam Oven, 30", 18 Function

**SERIES & STYLE**

Series 7

Contemporary

**ACCESSORIES**

- ① Telescopic Clip-On Runners\*
- ② Step Down Wire Shelf\*
- ③ Wire Shelf\*
- ④ Broiling Pan\*
- ⑤ Broil Rack\*

**FEATURES**

- ① Contemporary style, designed to fit flush with cabinetry
- ② Generous 1.9 cu ft total capacity with four shelf positions
- ③ Intuitive 2.4" screen with illuminated dial
- ④ 18 oven functions including Steam, Sous Vide, Air Fry and Vent Bake
- ⑤ Guided touchscreen cooking makes it simple to cook by food, function or recipe
- ⑥ Moisture control and even heat distribution thanks to ActiveVent and AeroTech™ technology
- ⑦ 47.3 fl oz water tank
- ⑧ Wi-Fi enabled and works with the SmartHQ™ app for remote control and notifications
- ⑨ Steam Clean function ensures a spotless oven with minimal effort
- ⑩ Soft open and close door

**ACCESSORIES**

- ⑥ Perforated Large Steam Dish\*
- ⑦ Large Steam Dish\*
- ① Catalytic Panels\*
- ⑧ Descale solution\* - 2 sachets (Part 580925)

\*Included with product

The models shown in this Planning Guide may not be available in all markets and are subject to change at any time. Product specifications may vary from those shown. This Planning Guide should not be used as installation guidance for any product. Further information is required to safely and correctly install the products featured here. Specific installation guidance will be available on our website [fisherpaykel.com](http://fisherpaykel.com)



**OVERVIEW**

With timeless Contemporary styling, the Convection Speed Oven fits seamlessly into any kitchen. As a companion product, this Speed Oven is designed to install easily and fit perfectly with other companion products such as the Combination Steam Oven, or Vacuum Seal Drawer. A flexible appliance that pairs the speed of microwave cooking with oven technology, which can crisp and brown as it cooks. Featuring 19 cooking functions on an intuitive touch display for easy programming of desired cooking mode and duration.

**FEATURES**

- ① Contemporary style, designed to fit flush with cabinetry
- ② 1.7 cu ft total capacity
- ③ Intuitive 2.4" screen with illuminated dial
- ④ Four microwave-only functions, 14 traditional oven functions, and four combination functions
- ⑤ Wi-Fi/Connected capability through the SmartHQ™ app
- ⑥ Soft open and close door



**PRODUCTS**

**OM30NDLX1**

Convection Speed Oven, 30", 19 Function

**SERIES & STYLE**

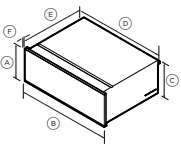
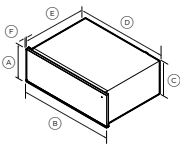
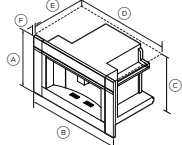
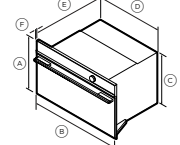
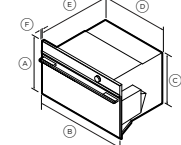
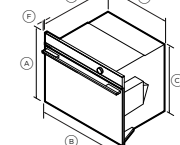
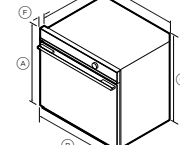
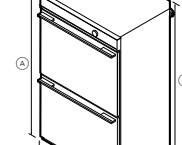
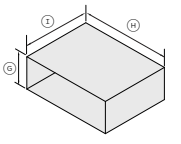
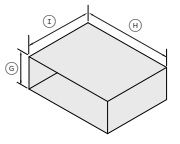
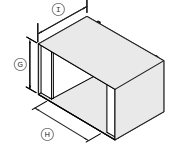
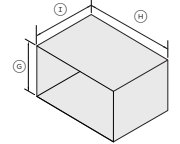
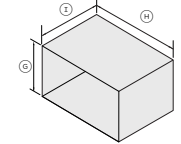
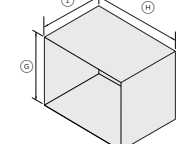
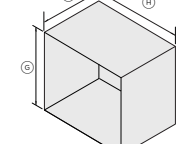
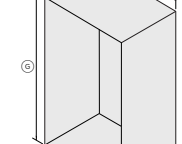
Series 7  
Contemporary

**ACCESSORIES**

- ① Wire Shelf\*
- ② Chrome Shelf Runners\*
- ③ Step Down Wire Shelf\*
- ④ Broil Rack\*
- ⑤ Glass Tray\*

\*Included with product

The models shown in this Planning Guide may not be available in all markets and are subject to change at any time. Product specifications may vary from those shown. This Planning Guide should not be used as installation guidance for any product. Further information is required to safely and correctly install the products featured here. Specific installation guidance will be available on our website [fisherpaykel.com](http://fisherpaykel.com)

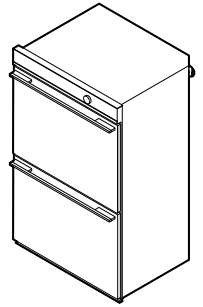
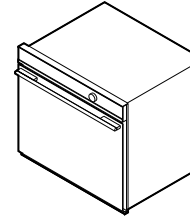
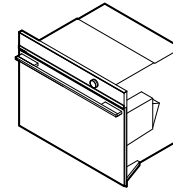
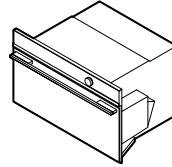
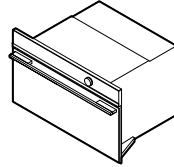
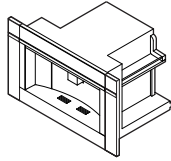
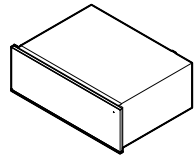
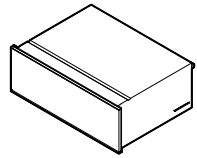
PRODUCT DIMENSIONS								
CAVITY DIMENSIONS								
	<b>VACUUM SEAL DRAWER</b> VB30SDX1-SET VB30SDB1-SET	<b>WARMING DRAWER</b> WB30SDX1-SET WB30SDB1-SET	<b>BUILT-IN COFFEE MAKER</b> EB24DSX1 Trim Kit TK7630NDX1	<b>CONVECTION SPEED OVEN</b> OM30NDTDX1 OM30NDLX1	<b>COMBINATION STEAM OVEN</b> OS30NDTDX1 OS30NDLX1	<b>COMBINATION STEAM OVEN</b> OS30SDTDX1 OS30SDLX1	<b>OVEN</b> OB30SDPTDX2 OB30SDI7PLX1 OB30SDI14PLX1	<b>DOUBLE OVEN</b> OB30DDPTDX2

PRODUCT DIMENSIONS	* Measured from front of control panel						** Measurements with trim kit	
Ⓐ Overall height	10 11/16" (271mm)	10 11/16" (271mm)	18" (458mm)**	18" (458mm)	18" (458mm)	23 9/16" (598mm)	27 3/16" (690mm)	48 1/2" (1232mm)
Ⓑ Overall width	29 15/16" (760mm)	29 15/16" (760mm)	29 15/16" (760mm)**	29 15/16" (760mm)	29 15/16" (760mm)	29 15/16" (760mm)	29 15/16" (760mm)	29 15/16" (760mm)
Ⓒ Chassis height	10 11/16" (271mm)	10 11/16" (271mm)	17 1/2" (445mm)	17 1/8" (435mm)	17 1/8" (435mm)	22 5/8" (575mm)	26 9/16" (674mm)	47 15/16" (1218mm)
Ⓓ Chassis width	28 7/16" (722mm) Includes side brackets	27 3/4" (704mm)	22 1/16" (560mm)	28 3/8" (720mm)	28 3/8" (720mm)	28 3/8" (720mm)	28 3/8" (720mm)	28 3/8" (720mm)
Ⓔ Chassis depth	21 11/16" (551mm) Including power plug	21 9/16" (547mm) Including power plug	18 1/8" (460mm)	21 7/16" (545mm)	21 7/16" (545mm)	21 7/16" (545mm)	22 7/16" (569mm)	22 7/16" (569mm)
Ⓕ Front panel thickness	13/16" (20mm)	13/16" (20mm)	13/16" (20mm)**	13/16" (20mm)	13/16" (20mm)	13/16" (20mm)	1 9/16" (40mm)	1 9/16" (40mm)
Depth of oven door fully open	-	-	-	12 5/8" (320mm)*	12 5/8" (320mm)*	18 1/8" (460mm)*	21 11/16" (550mm)*	Upper door 21 11/16" (550mm)* Lower door 20 7/8" (530mm)*

CAVITY DIMENSIONS - FLUSH INSTALLATION	* Measured from front of control panel						** Measurements with trim kit	
Ⓒ Minimum inside height of cavity	10 3/4" (273mm)*	10 3/4" (273mm)*	17 3/4" (450mm)	17 5/16" (440mm)	17 5/16" (440mm)	22 13/16" (580mm)	26 13/16" (681mm)	48 3/16" (1224mm)
Ⓓ Minimum inside width of cavity	28 1/2" (724mm)	28 1/2" (724mm)	22 1/16" (560mm)***	28 1/2" (724mm)	28 1/2" (724mm)	28 1/2" (724mm)	28 1/2" (724mm)	28 1/2" (724mm)
Ⓔ Minimum inside depth of cavity****	22 13/16" (580mm)	22 13/16" (580mm)	22 13/16" (580mm)**	22 7/16" (570mm)**	22 7/16" (570mm)	22 7/16" (570mm)	24 3/16" (615mm)	24 3/16" (615mm)
Recommended cabinet width	30 1/16" (764mm)	30 1/16" (764mm)	30 1/16" (764mm)	30 1/16" (764mm)	30 1/16" (764mm)	30 1/16" (764mm)	30 1/16" (764mm)	30 1/16" (764mm)

\*Drawers can fully support 30inch Fisher & Paykel wall oven, without adding shelf in between      \*\*Requires ventilation at the rear of the cavity      \*\*\*Cabinetry requires additional vertical sidewalls to secure the product      \*\*\*\*Measured from front of control panel

The models shown in this Planning Guide may not be available in all markets and are subject to change at any time. Product specifications may vary from those shown. This Planning Guide should not be used as installation guidance for any product. Further information is required to safely and correctly install the products featured here. Specific installation guidance will be available on our website fisherpaykel.com



**VACUUM SEAL DRAWER**  
VB30SDX1-SET  
VB30SDB1-SET

**WARMING DRAWER**  
WB30SDX1-SET  
WB30SDB1-SET

**BUILT-IN COFFEE MAKER**  
EB24DSX1  
Trim Kit TK7630NDX1

**CONVECTION SPEED OVEN**  
OM30NDTDX1  
OM30NDLX1

**COMBINATION STEAM OVEN**  
OS30NDTDX1  
OS30NDLX1

**COMBINATION STEAM OVEN**  
OS30SDTDX1  
OS30SDLX1

**OVEN**  
OB30SDPTDX2  
OB30SD17PLX1  
OB30SD14PLX1

**DOUBLE OVEN**  
OB30DDPTDX2

**POWER REQUIREMENTS**

Supply	120 V, 60 Hz	120 V, 60 Hz	120 V, 60 Hz	208 V or 240 V, 60 Hz	208 V or 240 V, 60 Hz	208 V or 240 V, 60 Hz	208 V or 240 V, 60 Hz	208 V or 240 V, 60 Hz
Service	10 A	10 A	10 A	20 A	20 A	20 A	20 A	40 A
Connection	Flex cord 70 7/8" (1800mm)	Flex cord 70 7/8" (1800mm)	Flex cord 66 15/16" (1700mm)	Hard wired 59 1/16"(1500mm)	Hard wired 78 3/4"(2000mm)	Hard wired 78 3/4"(2000mm)	Hard wired 78 3/4"(2000mm)	Hard wired 78 3/4"(2000mm)

**WEIGHT**

Packaged	148lb (67kg)	66lb (30kg)	EB24DSXBB1 72lb (33kg)	121lb (55kg)	121lb (55kg)	152lb (69kg)	247lb (110kg)	405lb (184kg)
Unpackaged	121lb (55kg)	55lb (25kg)	52lb (24kg)	101lb (46kg)	101lb (46kg)	119lb (54kg)	165lb (75kg)	306lb (139kg)

**CAPACITY**

Total oven	-	-	-	1.7cu ft (49L)	1.9cu ft (55L)	3cu ft (85L)	4.1cu ft (115L)	4.1cu ft (115L) per oven
Total water tank	-	-	84.5 fl oz (2.5L)	-	47.3 fl oz (1.4L)	47.3 fl oz (1.4L)	-	-

**SERVICES**

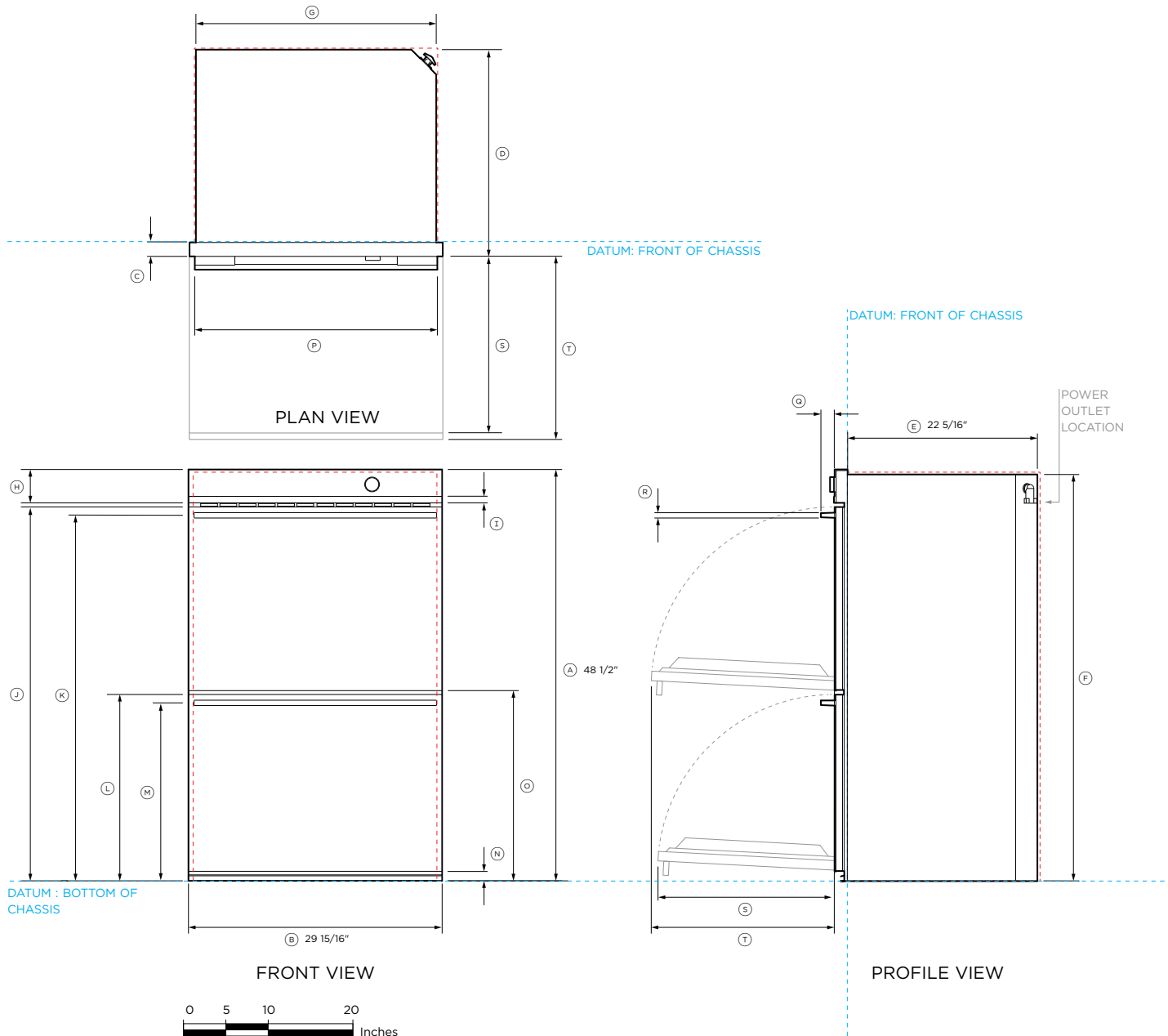
For more information on cord length, water supply and electrical requirements, refer to the 'Services' section of this Planning Guide.

**WATER**

All Coffee Makers and Steam Ovens have internal water tanks which need to be filled manually. No external water supply is required.

The models shown in this Planning Guide may not be available in all markets and are subject to change at any time. Product specifications may vary from those shown. This Planning Guide should not be used as installation guidance for any product. Further information is required to safely and correctly install the products featured here. Specific installation guidance will be available on our website [fisherpaykel.com](http://fisherpaykel.com)

## DATA SHEETS



**Model no:**

Double Oven, 30" - OB30DDPTDX2

**Product Dimensions**

	in	mm
A Overall height of product	48 1/2	1232
B Overall width of product	29 15/16	760
C Depth of control panel (excludes handle, front stainless steel trim and dial)	1 9/16	40
D Depth of chassis and control panel (excludes handle, front stainless steel trim and dial)	24	609
E Depth of chassis	22 7/16	569
F Height of chassis	47 15/16	1218
G Width of chassis	28 3/8	720
H Height of control panel	3 15/16	100
I Height of stainless steel trim on control panel	3/4	20
J Height from bottom datum to top of upper oven door	44 1/16	1120
K Height from bottom datum to centerline upper of handle	43 1/8	1095
L Height from bottom datum to top of lower oven door	22	558
M Height from bottom datum to centerline of lower handle	21	533
N Height from bottom datum to bottom of lower door	11/8	29
O Height from bottom datum to bottom of upper door	22 7/16	570
P Width of handle	28 5/8	727
Q Depth of handle	1 5/8	42
R Thickness of handle	5/8	16
S Depth of lower door when open (measured from front of door)	20 7/8	530
T Depth of upper door when open (measured from front of door)	21 11/16	550

**Minimum Clearances- Flush Installation**

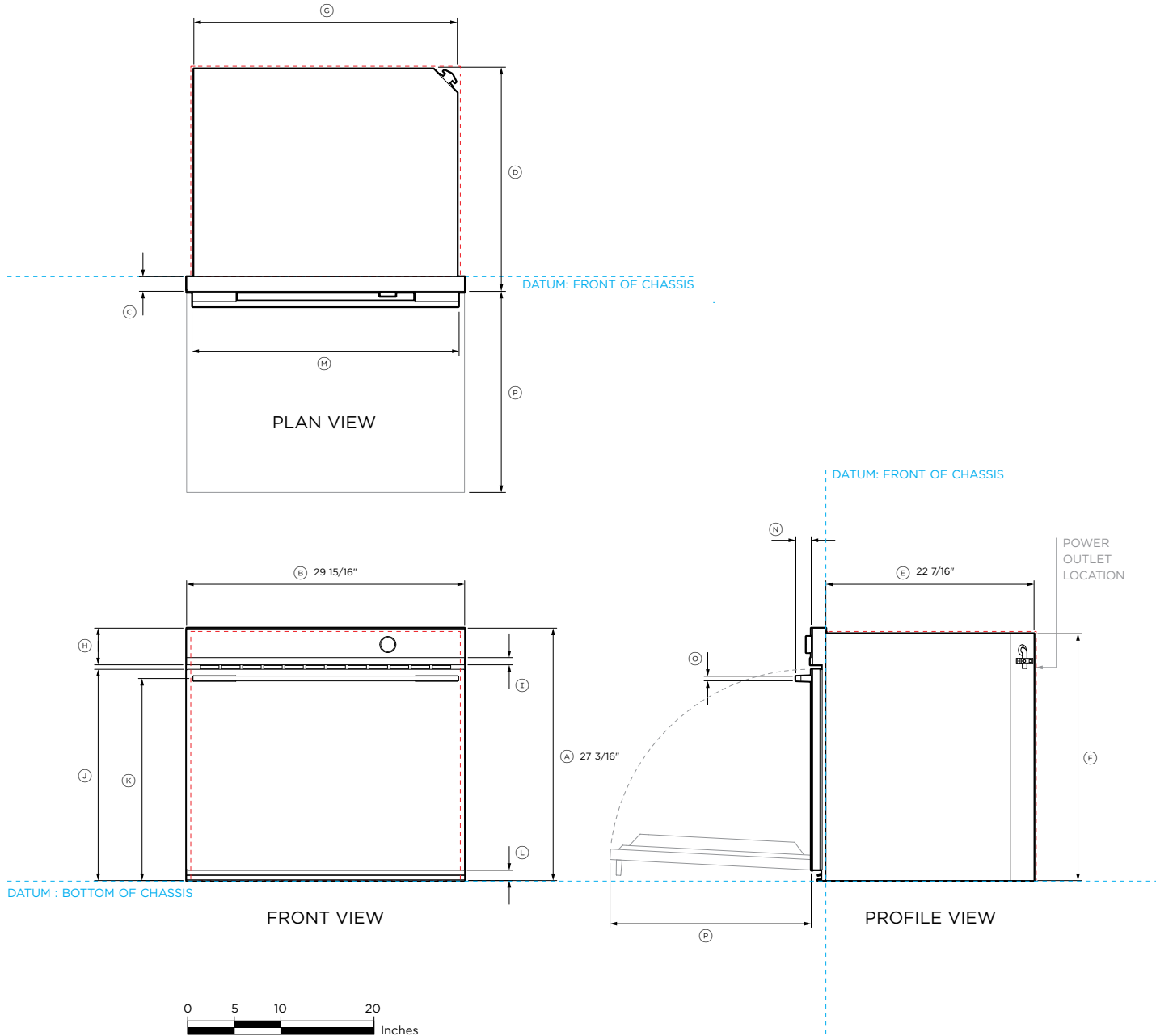
	in	mm
Minimum inside height of cavity	48 3/16	1224
Minimum inside width of cavity	28 1/2	724
Minimum inside depth of cavity*	24 3/16	615
Minimum clearance above oven control panel to upper cabinetry front panel or appliance	1/16	2
Minimum clearance between bottom of oven chassis to lower cabinetry front panel or appliance	1/16	2

\*Measured from front of control panel

Note: Depending on cabinet panel thickness a rebate around control panel might be required. **IMPORTANT NOTE:** For full installation and clearance details please refer to our installation manual.

INDICATES PRODUCT DATUM -----  
 INDICATES CABINETRY CLEARANCES - - - - -

**IMPORTANT NOTE:** Throughout this guide, dimensions may vary by ±2mm (1/16"). Please read the Installation Guide for detailed information on installing the product. For full installation instructions visit fisherpaykel.com



**Model no:**

Oven, 30" - OB30SDPTDX2, OB30SD14PLX1

**Product Dimensions**

	in	mm
(A) Overall height of product	27 3/16	690
(B) Overall width of product	29 15/16	760
(C) Depth of control panel (excludes handle, front black aluminum trim and dial)	1 9/16	40
(D) Depth of chassis and control panel (excludes handle, front black aluminum trim and dial)	24	609
(E) Depth of chassis	22 7/16	569
(F) Height of chassis	26 9/16	674
(G) Width of chassis	28 3/8	720
(H) Height of control panel	3 15/16	100
(I) Height of black aluminum trim on control panel	3/4	20
(J) Height from bottom datum to top of oven door	22 3/4	578
(K) Height from bottom datum to centerline of handle	21 3/4	553
(L) Height from bottom datum to bottom of door	1 1/8	28
(M) Width of handle	28 5/8	727
(N) Depth of handle	1 5/8	42
(O) Thickness of handle	5/8	16
(P) Depth of door when open (measured from front of door)	21 11/16	550

**Minimum Clearances- Flush Installation**

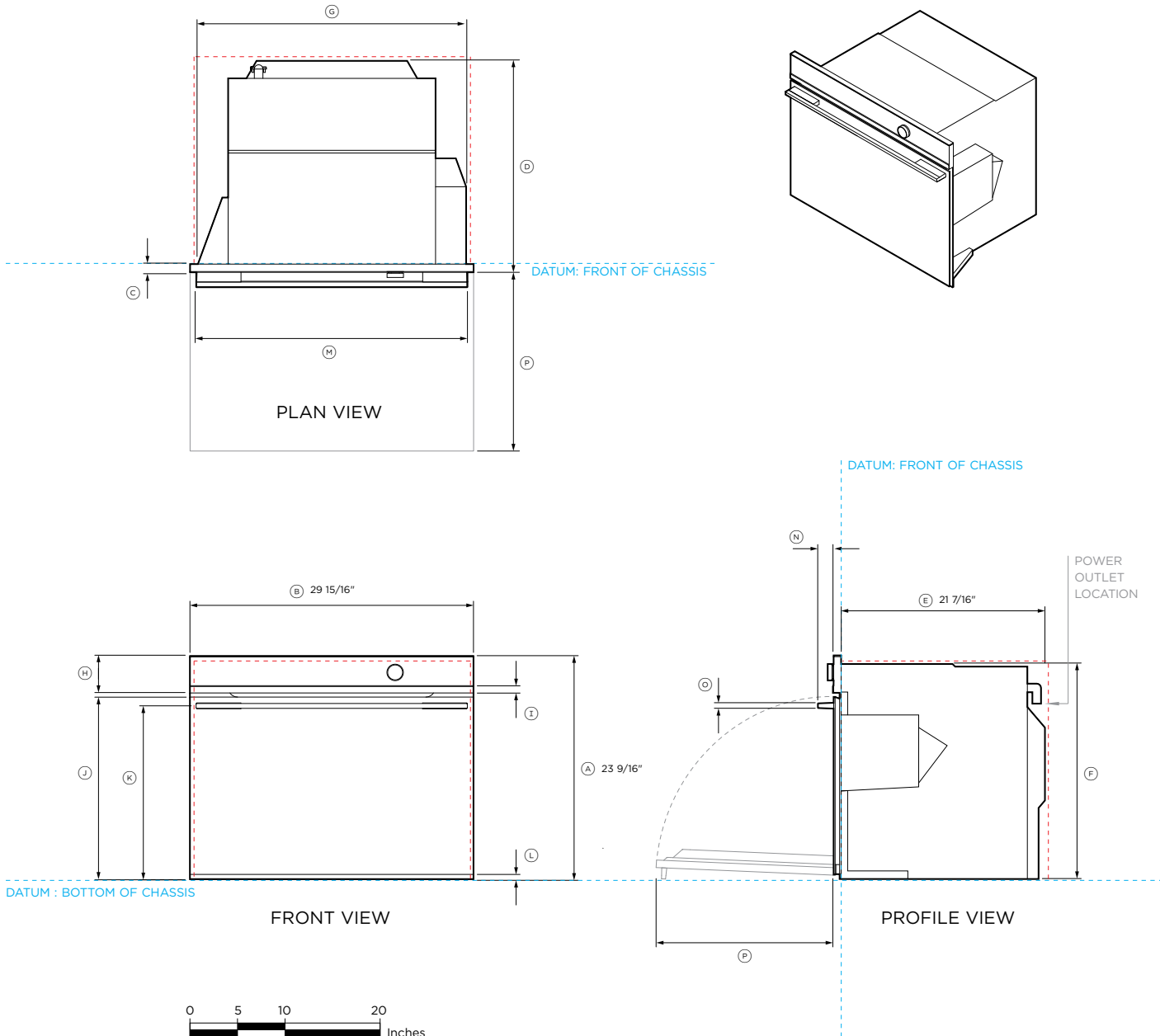
	in	mm
Minimum inside height of cavity	26 13/16	681
Minimum inside width of cavity	28 1/2	724
Minimum inside depth of cavity*	24 3/16	615
Minimum clearance above oven control panel to upper cabinetry front panel or appliance	1/16	2
Minimum clearance between bottom of oven chassis to lower cabinetry front panel or appliance	1/16	2

\*Measured from front of control panel  
 Note: Depending on cabinet panel thickness a rebate around control panel might be required. Ensure a 3/16" (5mm) minimum clearance is maintained between the top of the oven chassis and the cabinetry. Ensure the oven is not bearing any weight from cabinetry or products installed above.

IMPORTANT NOTE: For full installation and clearance details please refer to our installation manual.

INDICATES PRODUCT DATUM -----  
 INDICATES CABINETRY CLEARANCES - - - - -

IMPORTANT NOTE: Throughout this guide, dimensions may vary by ±2mm (1/16"). Please read the Installation Guide for detailed information on installing the product. For full installation instructions visit fisherpaykel.com



**Model no:**

Combination Steam Oven, 30" - OS30SDTDX1, OS30SDLX1

Product Dimensions	in	mm
A Overall height of product	23 9/16	598
B Overall width of product	29 15/16	760
C Depth of control panel (excludes handle, front black aluminum trim and dial)	13/16	20
D Depth of chassis and control panel (excludes handle, front black aluminum trim and dial)	22 1/4	565
E Depth of chassis	22 7/16	545
F Height of chassis	22 5/8	575
G Width of chassis	28 3/8	720
H Height of control panel	3 15/16	100
I Height of black aluminum trim on control panel	3/4	20
J Height from bottom datum to top of oven door	19 3/16	487
K Height from bottom datum to centerline of handle	18 1/4	464
L Height from bottom datum to bottom of door	1/2	12
M Width of handle	28 5/8	727
N Depth of handle	1 5/8	42
O Thickness of handle	5/8	16
P Depth of door when open (measured from front of door)	18 1/8	460

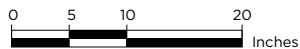
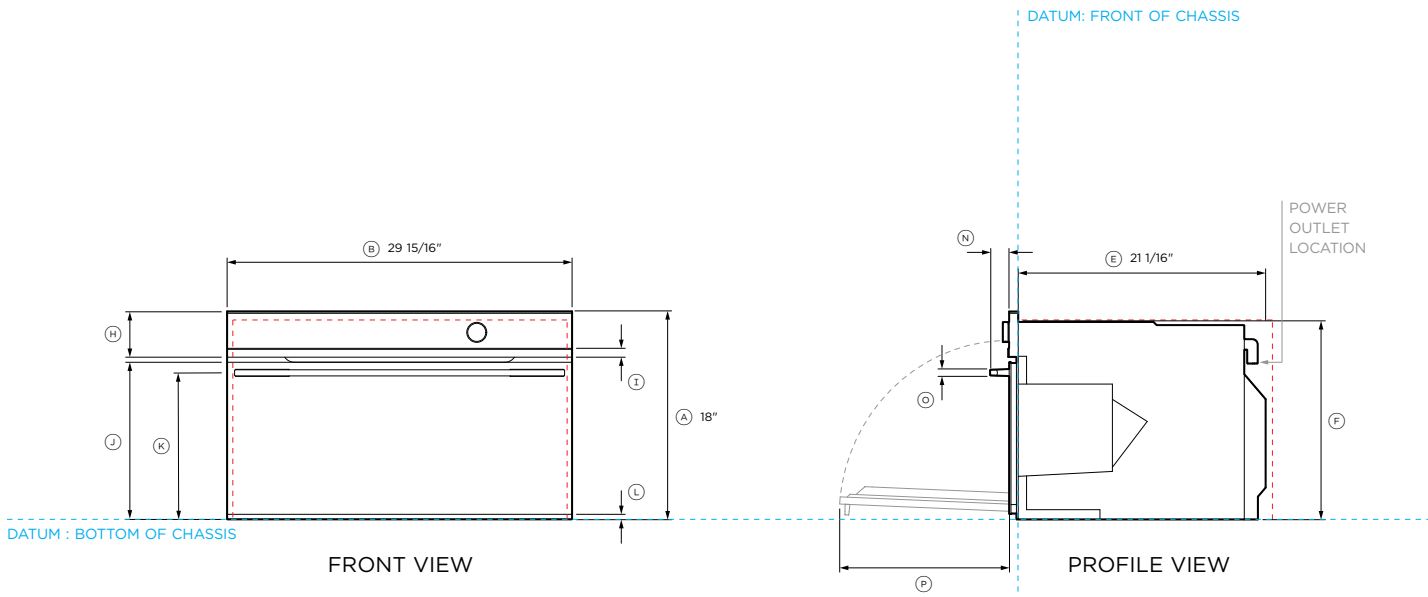
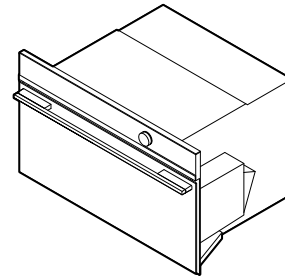
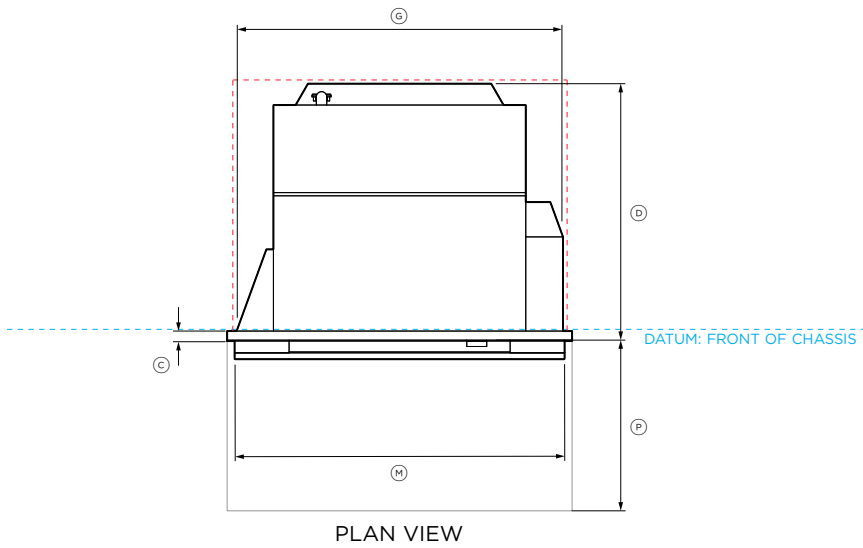
Minimum Clearances - Flush Installation	in	mm
Minimum inside height of cavity	22 13/16	580
Minimum inside width of cavity	28 1/2	724
Minimum inside depth of cavity*	22 7/16	570
Minimum clearance above oven control panel to upper cabinetry front panel or appliance	1/16	2
Minimum clearance between bottom of oven chassis to lower cabinetry front panel or appliance	1/16	2

\*Measured from front of control panel  
Ensure a 3/16" (5mm) minimum clearance is maintained between the top of the oven chassis and the cabinetry. Ensure the oven is not bearing any weight from cabinetry or products installed above.

IMPORTANT NOTE: For full installation and clearance details please refer to our installation manual.

INDICATES PRODUCT DATUM -----  
INDICATES CABINETRY CLEARANCES - - - - -

IMPORTANT NOTE: Throughout this guide, dimensions may vary by ±2mm (1/16"). Please read the Installation Guide for detailed information on installing the product. For full installation instructions visit fisherpaykel.com



**Model no:**

Combination Steam Oven, 30" - OS30NDTDX1, OS30NDLX1

**Product Dimensions**

	in	mm
Ⓐ Overall height of product	18	458
Ⓑ Overall width of product	29 15/16	760
Ⓒ Depth of control panel (excludes handle, front black aluminum trim and dial)	13/16	20
Ⓓ Depth of chassis and control panel (excludes handle, front black aluminum trim and dial)	22 1/4	565
Ⓔ Depth of chassis	21 1/16	545
Ⓕ Height of chassis	17 1/8	435
Ⓖ Width of chassis	28 3/8	720
Ⓜ Height of control panel	3 15/16	100
Ⓣ Height of black aluminum trim on control panel	13/16	20
ⓙ Height from bottom datum to top of oven door	13 11/16	347
Ⓚ Height from bottom datum to centerline of handle	12 3/4	324
Ⓛ Height from bottom datum to bottom of door	1/2	12
Ⓜ Width of handle	28 5/8	727
Ⓝ Depth of handle	1 5/8	42
Ⓞ Thickness of handle	5/8	16
Ⓟ Depth of door when open (measured from front of door)	12 5/8	320

**Minimum Clearances - Flush Installation**

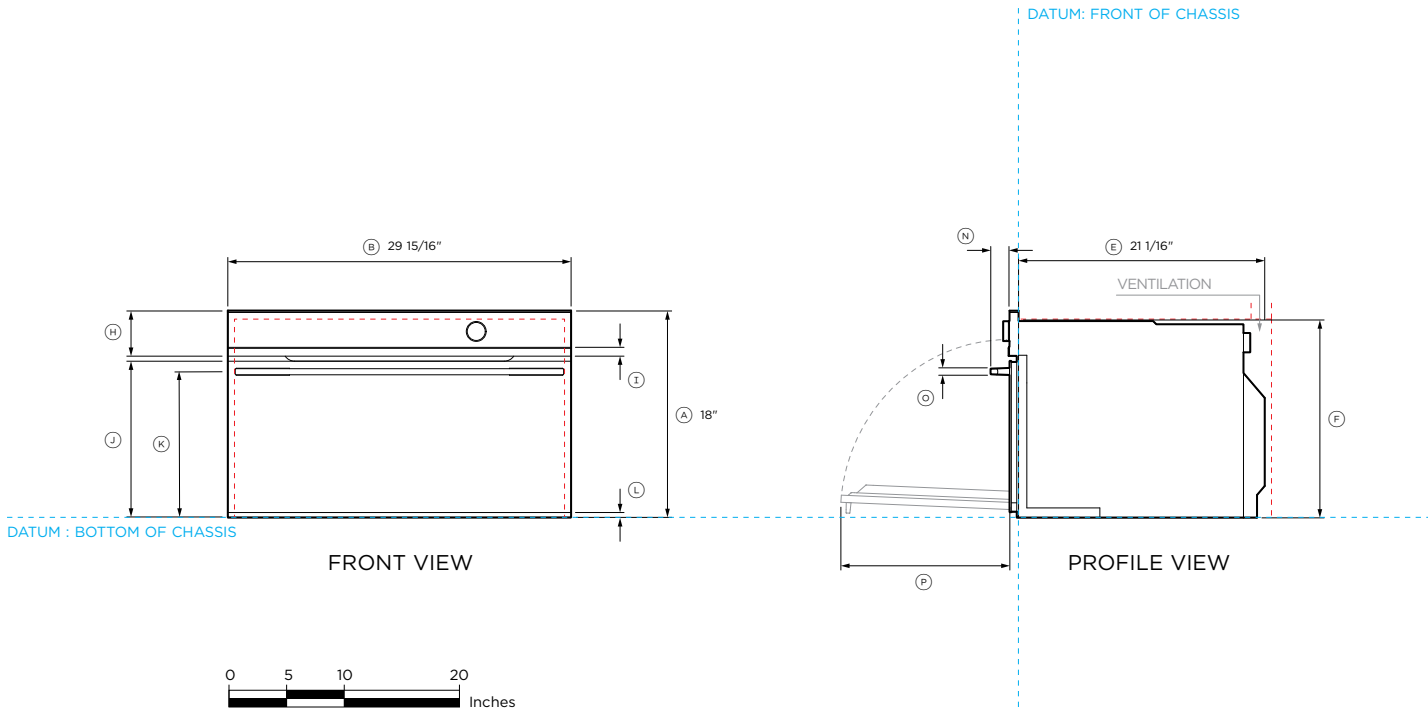
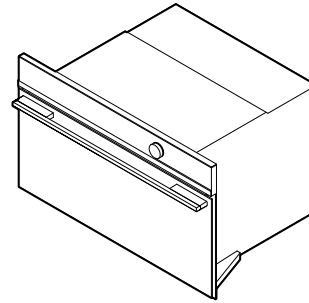
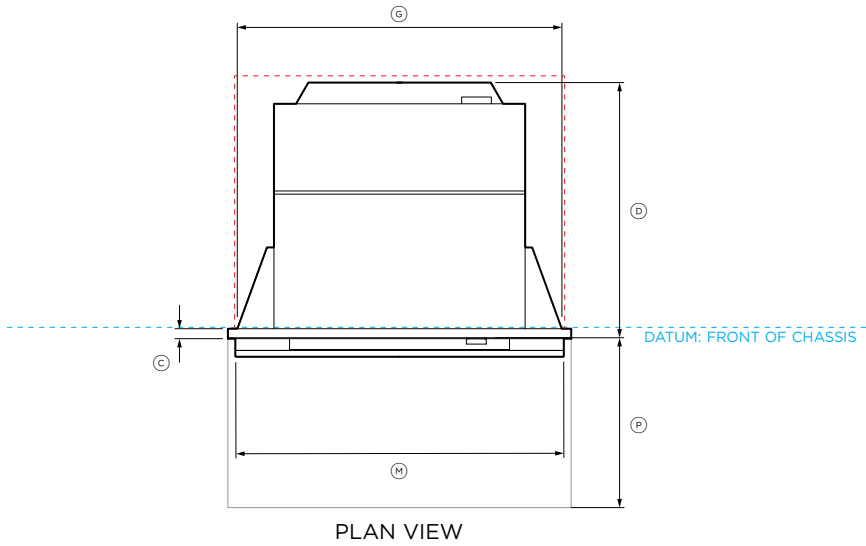
	in	mm
Minimum inside height of cavity	17 5/16	440
Minimum inside width of cavity	28 1/2	724
Minimum inside depth of cavity*	22 7/16	570
Minimum clearance above oven control panel to upper cabinetry front panel or appliance	1/16	2
Minimum clearance between bottom of oven chassis to lower cabinetry front panel or appliance	1/16	2

\*Measured from front of control panel  
Ensure a 3/16" (5mm) minimum clearance is maintained between the top of the oven chassis and the cabinetry. Ensure the oven is not bearing any weight from cabinetry or products installed above.

IMPORTANT NOTE: For full installation and clearance details please refer to our installation manual.

INDICATES PRODUCT DATUM -----  
INDICATES CABINETRY CLEARANCES - - - - -

IMPORTANT NOTE: Throughout this guide, dimensions may vary by ±2mm (1/16"). Please read the Installation Guide for detailed information on installing the product. For full installation instructions visit [fisherpaykel.com](http://fisherpaykel.com)



**Model no:**

Convection Speed Oven, 30" - OM30NDTDX1, OM30NDLX1

**Product Dimensions**

	in	mm
A Overall height of product	18	458
B Overall width of product	29 15/16	760
C Depth of control panel (excludes handle, front black aluminum trim and dial)	13/16	20
D Depth of chassis and control panel (excludes handle, front black aluminum trim and dial)	22 1/4	565
E Depth of chassis	21 1/16	545
F Height of chassis	17 1/8	435
G Width of chassis	28 3/8	720
H Height of control panel	3 15/16	100
I Height of black aluminum trim on control panel	13/16	20
J Height from bottom datum to top of oven door	13 11/16	347
K Height from bottom datum to centerline of handle	12 3/4	324
L Height from bottom datum to bottom of door	1/2	12
M Width of handle	28 5/8	727
N Depth of handle	1 5/8	42
O Thickness of handle	5/8	16
P Depth of door when open (measured from front of door)	12 5/8	320

**Minimum Clearances - Flush Installation**

	in	mm
Minimum inside height of cavity	17 5/16	440
Minimum inside width of cavity	28 1/2	724
Minimum inside depth of cavity*	22 7/16	570
Rear ventilation depth**	2	50
Rear ventilation width**	22 1/16	560
Minimum clearance above oven control panel to upper cabinetry front panel or appliance	1/16	2
Minimum clearance between bottom of oven chassis to lower cabinetry front panel or appliance	1/16	2

\*Measured from front of control panel

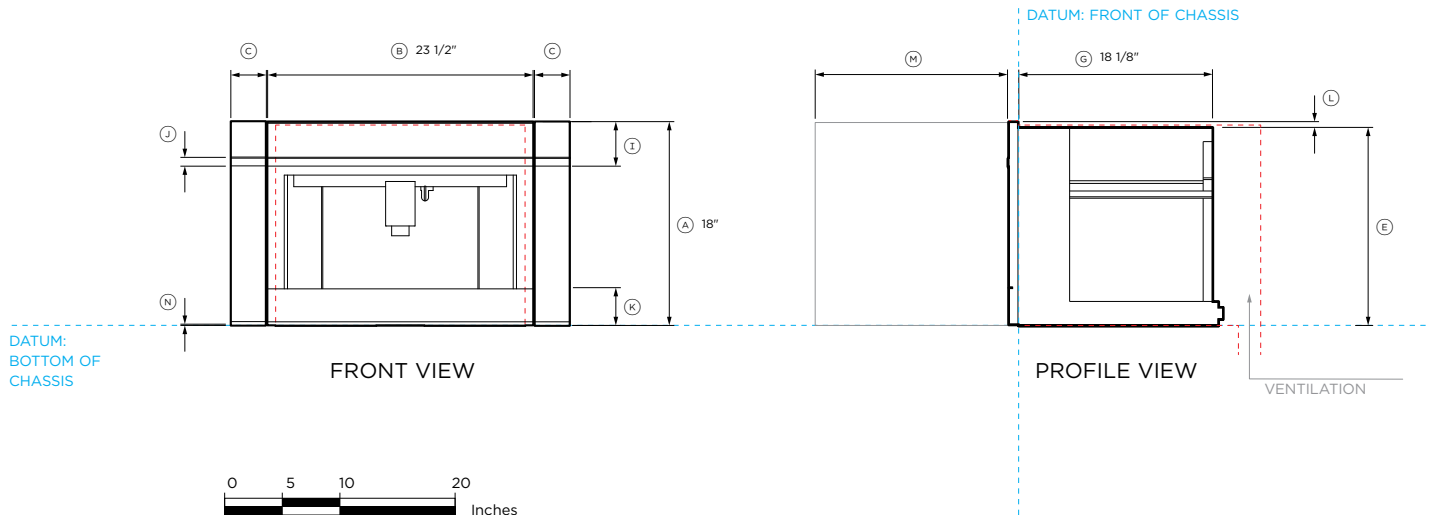
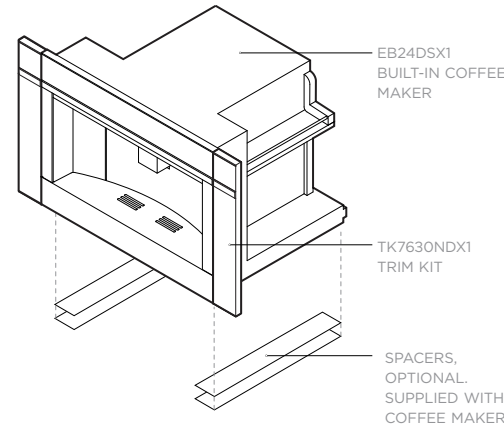
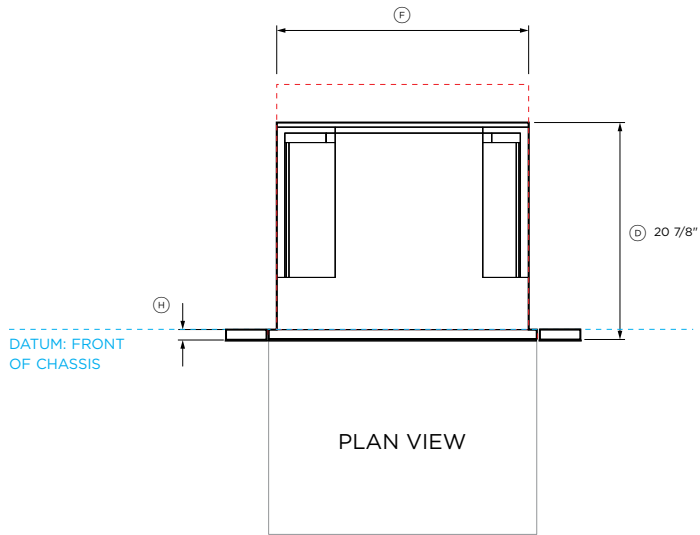
\*\*Rear ventilation totalling 43.4in2 (280cm2) is required. The air vent must be located at the rear of cabinet, it can be positioned at the base, sides, back or top of the cavity.

IMPORTANT NOTE: For full installation and clearance details please refer to our installation manual.

INDICATES PRODUCT DATUM

INDICATES CABINETRY CLEARANCES

IMPORTANT NOTE: Throughout this guide, dimensions may vary by ±2mm (1/16"). Please read the Installation Guide for detailed information on installing the product. For full installation instructions visit fisherpaykel.com



**Model no:**

Built-in Coffee Maker, 24" - EB24DSX1  
Trim Kit, 30" - TK7630NDX1

**Product Dimensions**

	in	mm
Ⓐ Overall height of built-in coffee maker and trim kit	18	458
Ⓑ Overall width of built-in coffee maker	23 1/2	596
Ⓒ Overall width of trim kit	3 1/9	79
Ⓓ Overall depth of built-in coffee maker and trim kit (excludes front metal trim)	18 7/8	480
Ⓔ Height of chassis of built-in coffee maker	17 1/2	445
Ⓕ Width of chassis of built-in coffee maker	22 1/16	560
Ⓖ Depth of chassis of built-in coffee maker	18 1/8	460
Ⓗ Depth of coffee maker front frame and control panel (excludes front metal trim)	13/16	20
Ⓘ Height of control panel	3 15/16	100
Ⓝ Height of metal cap on control panel	13/16	20
Ⓚ Height of horizontal lower section from bottom datum	3 3/8	85
Ⓛ Stepdown from control panel to chassis	1/2	13
Ⓜ Extent built-in coffee maker pulls out (measured from glass front)	17 1/8	435
Ⓝ Height from bottom datum to lower edge of glass	1/8	3

**Minimum Clearances - Flush Installation**

	in	mm
Minimum inside height of cavity	17 3/4	450
Minimum inside width of cavity	22 1/16	560
Minimum inside depth of cavity*	22 13/16	580
Rear ventilation depth**	2	50
Rear ventilation width**	22 1/16	560
Minimum clearance above Trim Kit to upper cabinetry front panel or appliance	1/16	2
Minimum clearance between bottom of Trim Kit to lower cabinetry front panel or appliance	1/16	2

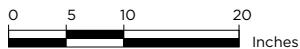
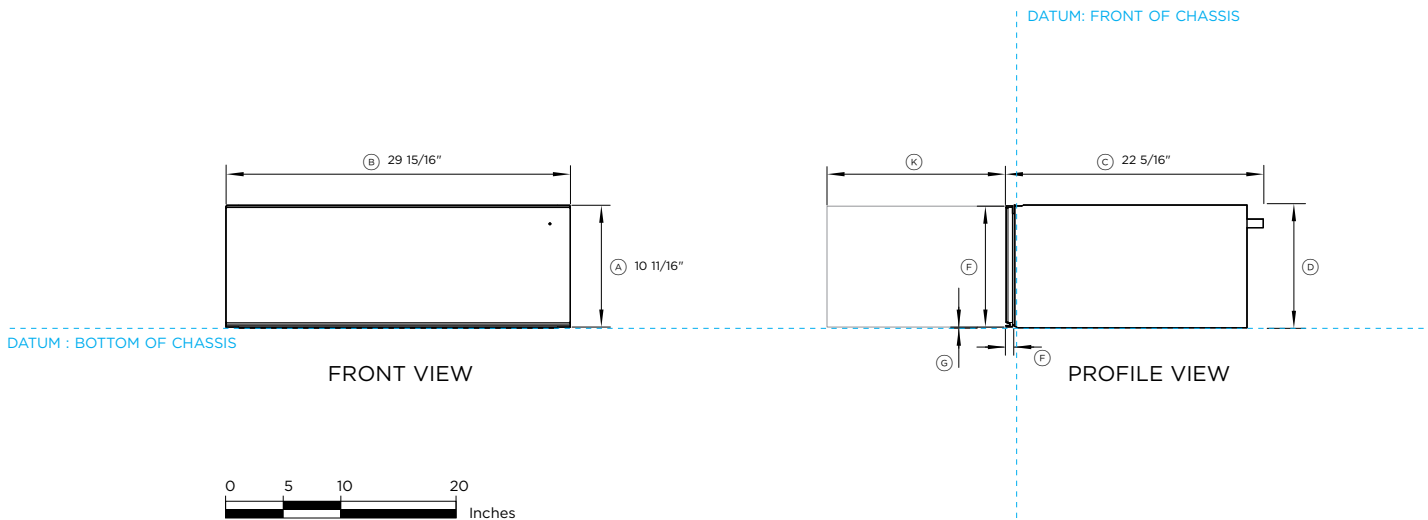
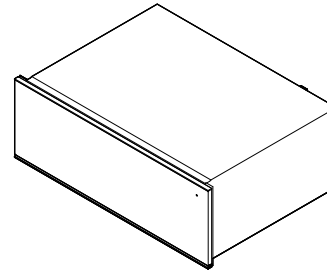
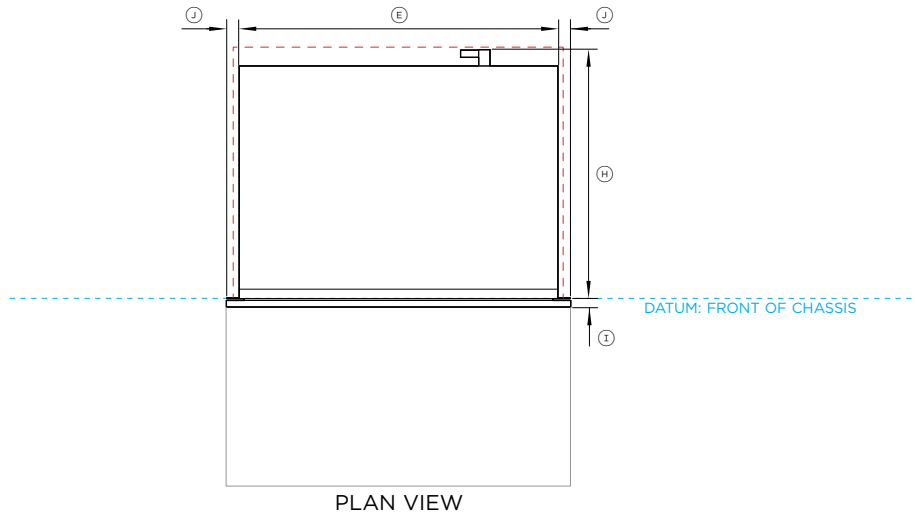
\*Measured from front of control panel

\*\*Rear ventilation totalling 43.4in<sup>2</sup> (280cm<sup>2</sup>) is required. The air vent must be located at the rear of cabinet, it can be positioned at the base, sides, back or top of the cavity.

IMPORTANT NOTE: For full installation and clearance details please refer to our installation manual.

INDICATES PRODUCT DATUM -----  
INDICATES CABINERY CLEARANCES -----

IMPORTANT NOTE: Throughout this guide, dimensions may vary by ±2mm (1/16"). Please read the Installation Guide for detailed information on installing the product. For full installation instructions visit [fisherpaykel.com](http://fisherpaykel.com)



**Model no:**

Warming Drawer, 30" - WB30SDX1-SET, WB30SDB1-SET

**Product Dimensions**

	in	mm
Ⓐ Overall height of product	10 11/16	271
Ⓑ Overall width of product	29 15/16	760
Ⓒ Overall depth (incl. front panel & power plug, excludes stainless cap)	22 5/16	567
Ⓓ Height of chassis	10 11/16	271
Ⓔ Width of chassis	27 3/4	704
Ⓕ Height of drawer front panel	10 1/2	267
Ⓖ Height from bottom of chassis to bottom of front panel	1/16	2
Ⓜ Depth of chassis (includes power plug)	21 9/16	547
Ⓣ Depth of drawer front panel and flange (excludes stainless cap)	13/16	20
Ⓝ Distance from side of chassis to side of drawer front	1 1/16	27
Ⓚ Depth of open drawer (measured from front of drawer panel)	16 3/4	425

**Minimum Clearances - Flush Installation**

	in	mm
Minimum inside height of cavity	10 3/4	273
Minimum inside width of cavity	28 1/2	724
Minimum inside depth of cavity*	22 13/16	580
Minimum clearance above drawer front panel to upper cabinetry front panel or appliance**	5/32	4
Minimum clearance between bottom of drawer chassis to lower cabinetry front panel or appliance	1/16	2

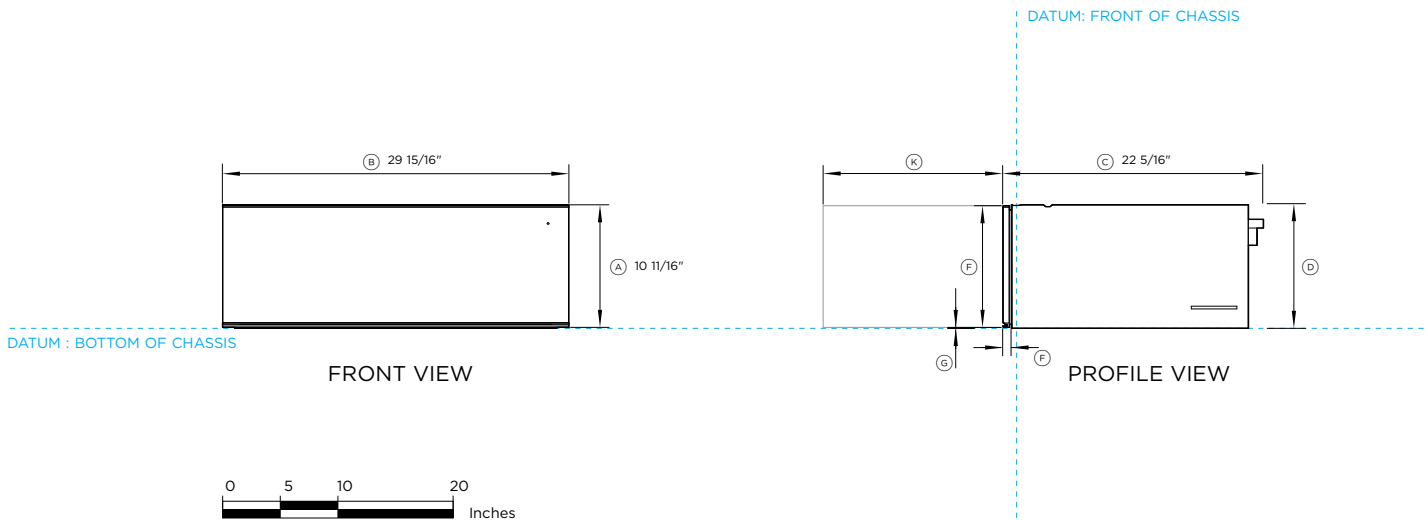
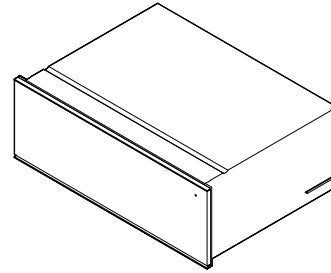
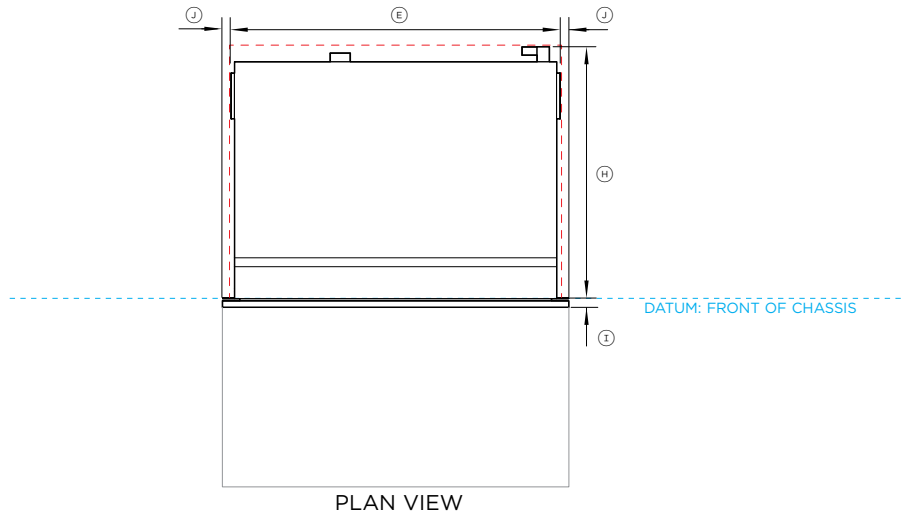
\*Measured from front of drawer panel

\*\*Achieve a smaller gap between drawer front panel to upper cabinetry front panel by dropping cabinetry front panel down

IMPORTANT NOTE: For full installation and clearance details please refer to our installation manual.

INDICATES PRODUCT DATUM -----  
INDICATES CABINETRY CLEARANCES - - - - -

IMPORTANT NOTE: Throughout this guide, dimensions may vary by ±2mm (1/16"). Please read the Installation Guide for detailed information on installing the product. For full installation instructions visit [fisherpaykel.com](http://fisherpaykel.com)



**Model no:**

Vacuum Seal Drawer, 30" - VB30SDX1-SET, VB30SDB1-SET

**Product Dimensions**

	in	mm
A Overall height of product	10 11/16	271
B Overall width of product	29 15/16	760
C Overall depth (incl. front panel & power plug, excludes stainless cap)	22 1/2	571
D Height of chassis	10 11/16	271
E Width of chassis	28 7/16	722
F Height of drawer front panel	10 1/2	267
G Height from bottom of chassis to bottom of front panel	1/16	2
H Depth of chassis (includes power plug)	21 9/16	551
I Depth of drawer front panel and flange (excludes stainless cap)	13/16	20
J Distance from side of chassis to side of drawer front	3/4	19
K Depth of open drawer (measured from front of drawer panel)	16 3/4	425

**Minimum Clearances - Flush Installation**

	in	mm
Minimum inside height of cavity	10 3/4	273
Minimum inside width of cavity	28 1/2	724
Minimum inside depth of cavity*	22 13/16	580
Minimum clearance above drawer front panel to upper cabinetry front panel or appliance**	5/32	4
Minimum clearance between bottom of drawer chassis to lower cabinetry front panel or appliance	1/16	2

\*Measured from front of drawer panel

\*\*Achieve a smaller gap between drawer front panel to upper cabinetry front panel by dropping cabinetry front panel down

IMPORTANT NOTE: For full installation and clearance details please refer to our installation manual.

INDICATES PRODUCT DATUM -----  
 INDICATES CABINETRY CLEARANCES -----

IMPORTANT NOTE: Throughout this guide, dimensions may vary by ±2mm (1/16"). Please read the Installation Guide for detailed information on installing the product. For full installation instructions visit [fisherpaykel.com](http://fisherpaykel.com)

## PLANNING CONSIDERATIONS

**DIVIDING SHELF**

If the appliance front panel is thicker than the cabinetry front panel, adjust the dividing shelf depth to ensure the oven sits flush with the front of the cabinetry.

**BLACK CLASHING**

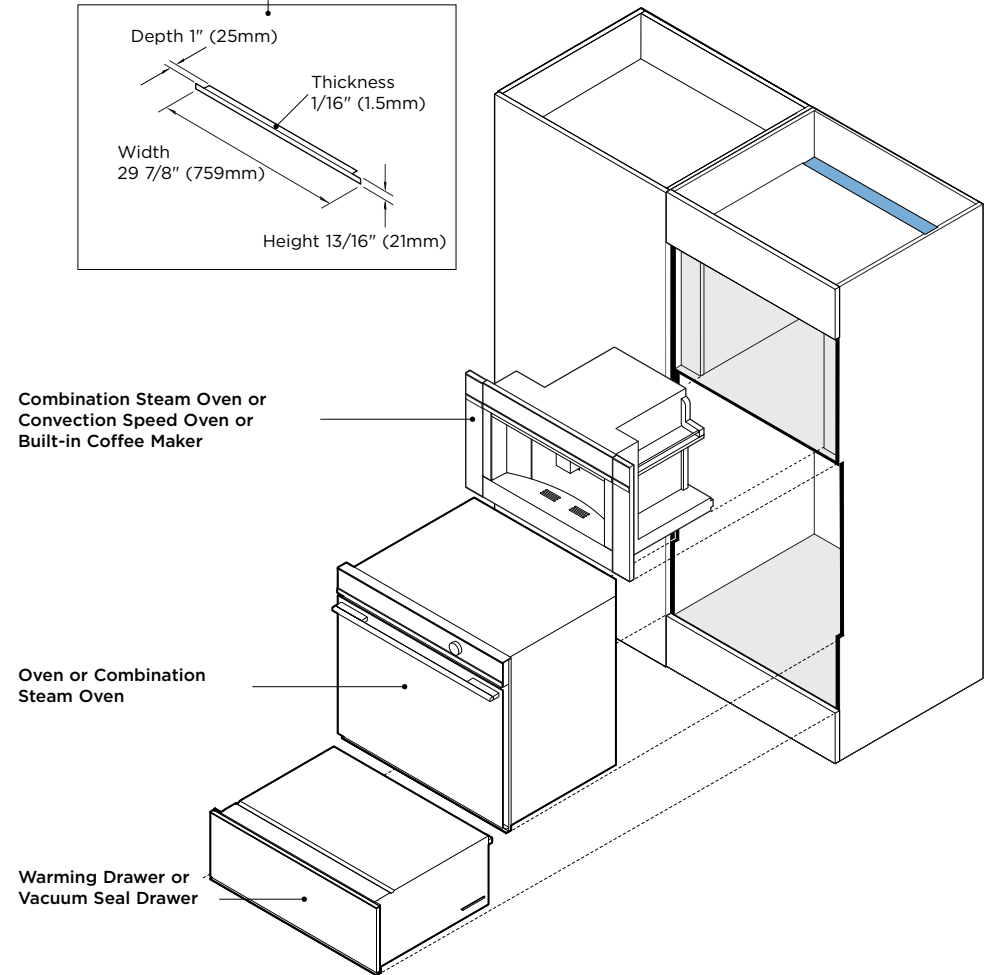
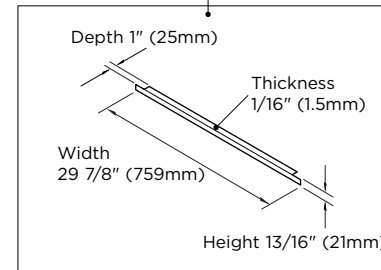
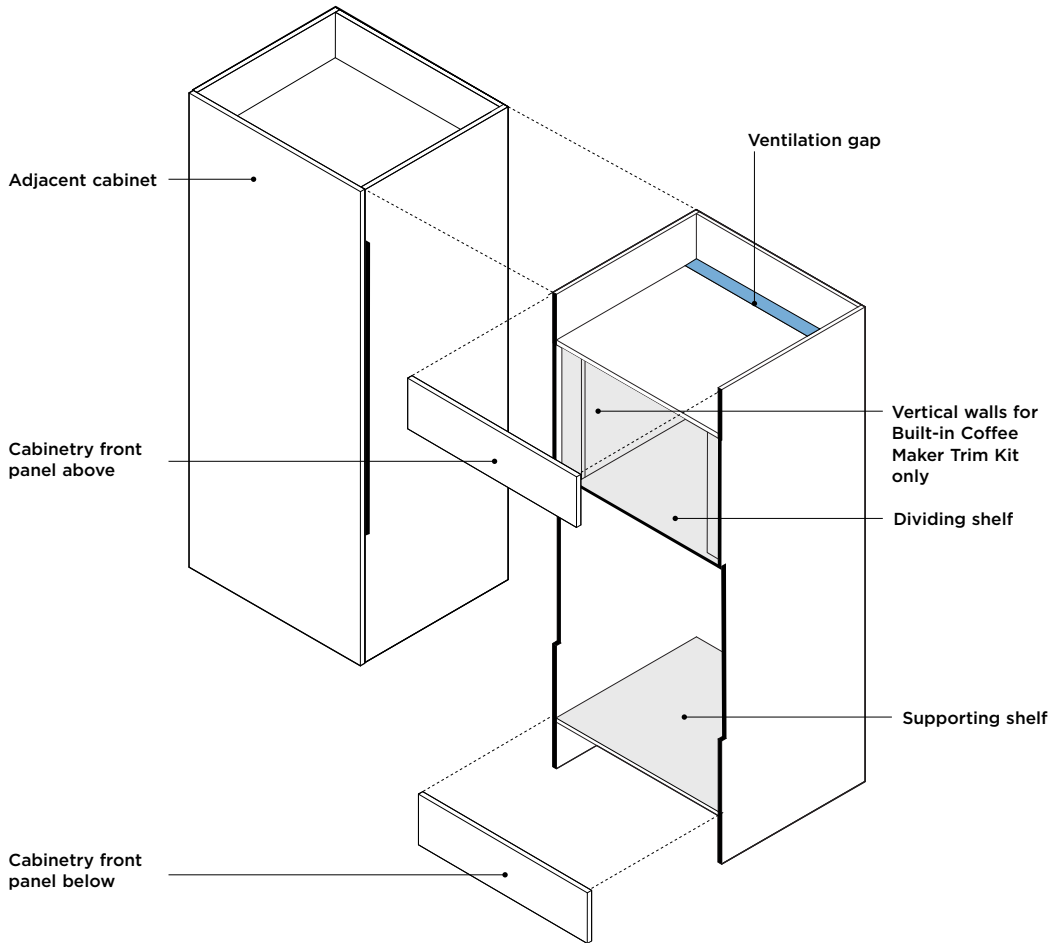
Black clashing is recommended on front facing edges where products are located and on side cabinets if cabinet is rebated.

**OVEN CABINETRY TRIM**

If using light-colored cabinets, we recommend using black cabinetry trim to help hide the cabinetry beneath the front door panel of the appliance. Ensure the trim height does not interfere with any appliances or cabinetry below. Black cabinetry trim is included with ovens.

**LEVEL CABINETRY**

Check the shelves are level and the side panels are straight.



The models shown in this Planning Guide may not be available in all markets and are subject to change at any time. Product specifications may vary from those shown. This Planning Guide should not be used as installation guidance for any product. Further information is required to safely and correctly install the products featured here. Specific installation guidance will be available on our website [fisherpaykel.com](http://fisherpaykel.com)

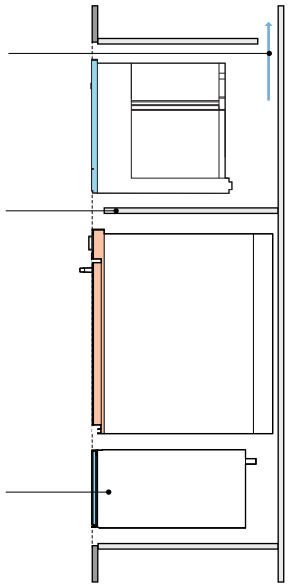
Ventilation air vent is required at rear for some products.

Dividing shelves are required to support stacked appliances and to achieve correct clearance.

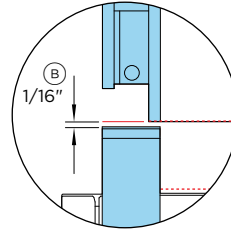
Dividing shelves must be constructed from material that will support the weight of the appliances.

Ensure the oven is not bearing any weight from cabinetry or products installed above.

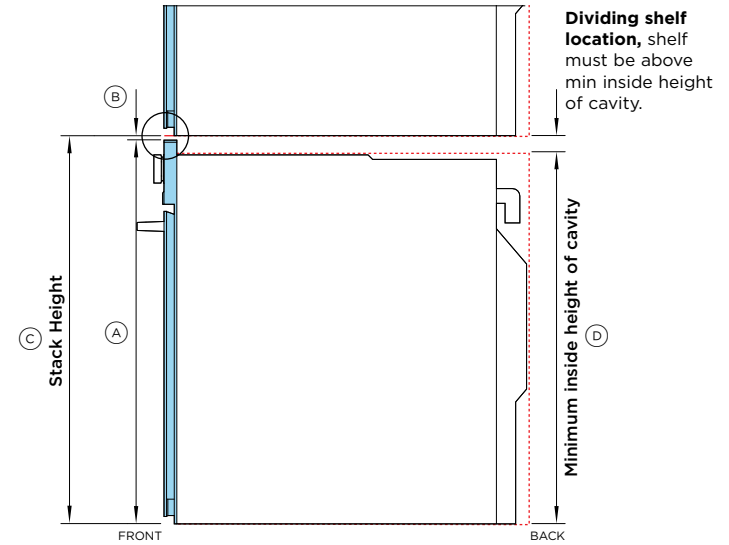
Warming Drawers and Vacuum Seal Drawers can fully support a 30inch Fisher & Paykel oven, without adding a shelf in between.



STACK EXPLODED  
PROFILE VIEW



Minimum clearance above appliance control panel to upper appliance



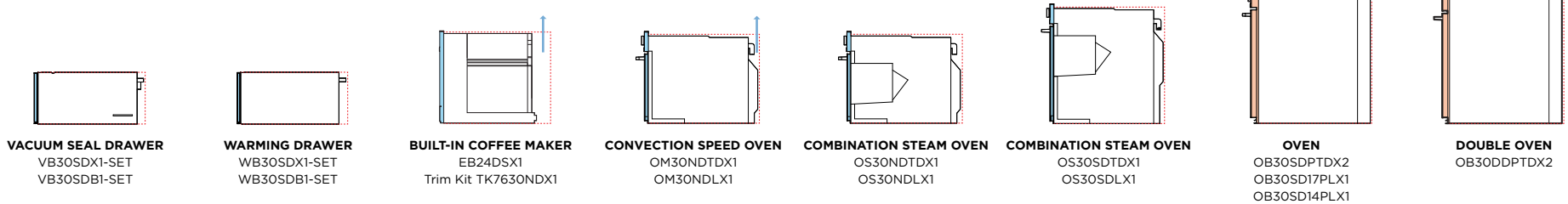
Dividing shelf location, shelf must be above min inside height of cavity.

**STACK HEIGHT**

$$\begin{aligned} & \textcircled{A} \text{ Overall product height} \\ & + \\ & \textcircled{B} \text{ Minimum clearance above appliance control panel or} \\ & \text{front panel to upper appliance} \\ & = \\ & \textcircled{C} \text{ Stacked Height} \end{aligned}$$

PRODUCT  
PROFILE VIEW

**MINIMUM DIMENSION CLEARANCES**



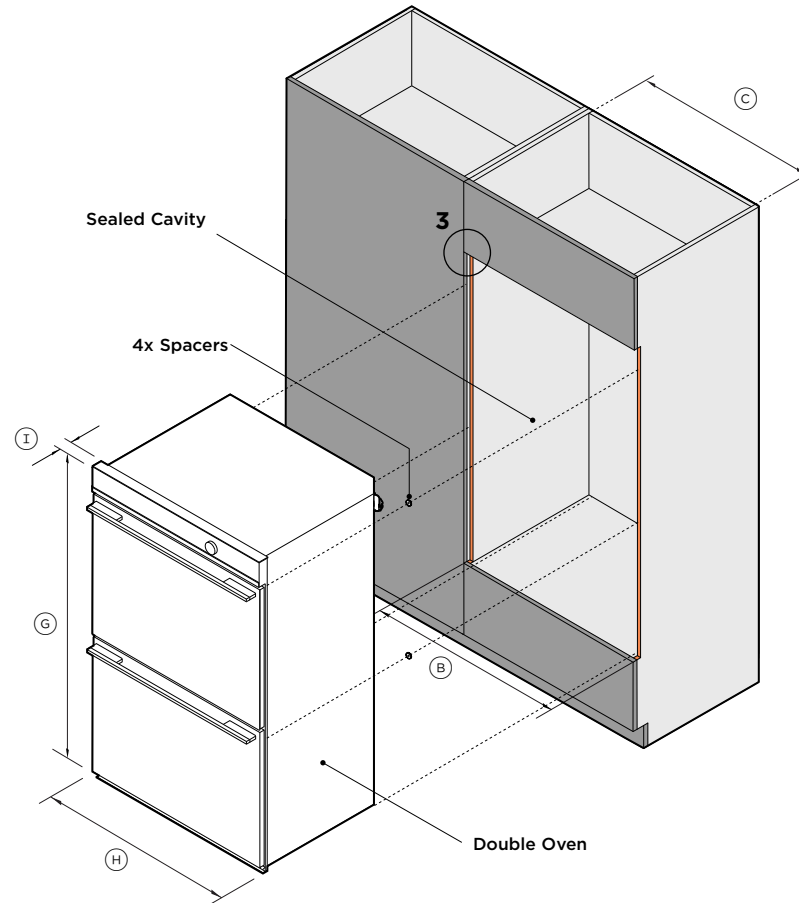
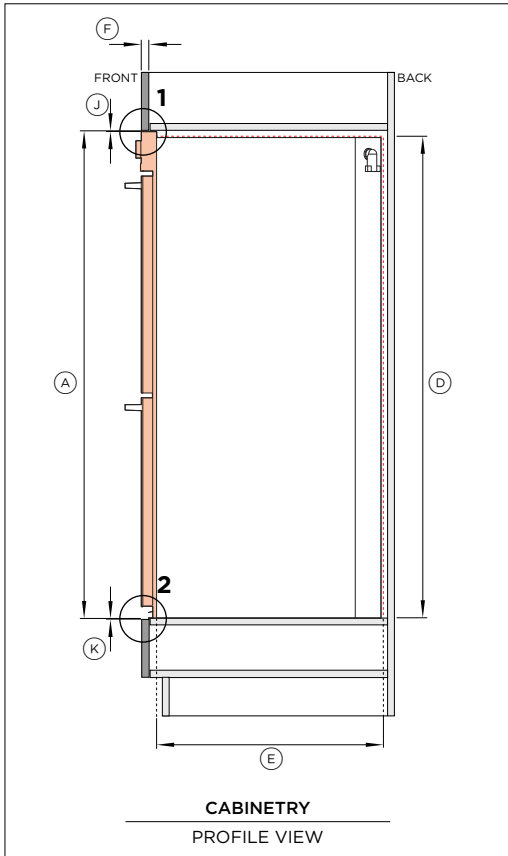
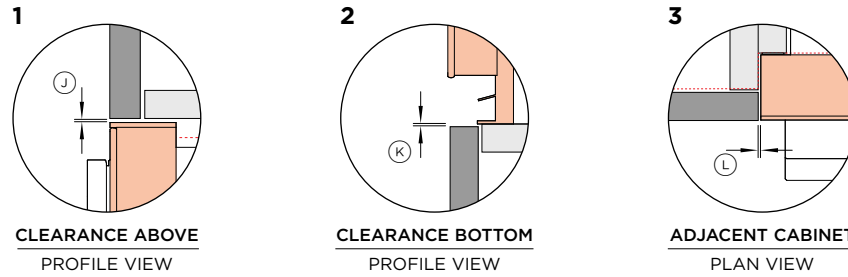
DIMENSIONS	VACUUM SEAL DRAWER VB30SDX1-SET VB30SDBI-SET	WARMING DRAWER WB30SDX1-SET WB30SDBI-SET	BUILT-IN COFFEE MAKER EB24DSX1 Trim Kit TK7630NDX1	CONVECTION SPEED OVEN OM30NDTDX1 OM30NDLX1	COMBINATION STEAM OVEN OS30NDTDX1 OS30NDLX1	COMBINATION STEAM OVEN OS30SDTDX1 OS30SDLX1	OVEN OB30SDPTDX2 OB30SDI7PLX1 OB30SDI4PLX1	DOUBLE OVEN OB30DDPTDX2
Ⓐ Overall product height	10 11/16" (271mm)	10 11/16" (271mm)	18" (458mm)**	18" (458mm)	18" (458mm)	23 9/16" (598mm)	27 3/16" (690mm)	48 1/2" (1232mm)
Ⓑ Minimum clearance above	-	-	-	1/16" (2mm)	1/16" (2mm)	1/16" (2mm)	1/16" (2mm)	1/16" (2mm)
Ⓒ Stack height	10 11/16" (271mm)*	10 11/16" (271mm)*	18 1/8" (460mm)	18 1/8" (460mm)	18 1/8" (460mm)	23 5/8" (600mm)	27 1/4" (692mm)	48 9/16" (1234mm)
Ⓓ Minimum inside height of cavity	10 11/16" (271mm)	10 11/16" (271mm)	17 5/16" (440mm)	17 5/16" (440mm)	17 5/16" (440mm)	22 13/16" (580mm)	26 13/16" (681mm)	48 3/16" (1224mm)

\*Drawers can fully support 30inch Fisher & Paykel wall oven, without adding shelf in between

\*\*Includes Built-in Coffee Maker rail height

**NOTE:** Stack height is overall product height with minimum clearance above appliance control panel or front panel to upper appliance.

The models shown in this Planning Guide may not be available in all markets and are subject to change at any time. Product specifications may vary from those shown. This Planning Guide should not be used as installation guidance for any product. Further information is required to safely and correctly install the products featured here. Specific installation guidance will be available on our website [fisherpaykel.com](http://fisherpaykel.com)



**Model no:**  
Double Oven, 30" - OB30DDPTDX2

<b>Cabinetry Dimensions - Flush Installation</b>		
	inch	mm
Ⓐ Overall cabinet height*	48 9/16	1234
Ⓑ Overall cabinet width - single installation	30 1/16	764
Ⓒ Minimum inside width of cavity	28 1/2	724
Ⓓ Minimum inside height of cavity	48 3/16	1224
Ⓔ Minimum inside depth of cavity	22 5/8	575
Ⓕ Thickness of cabinetry front panel**	5/8-13/16	16-20

\*Overall cabinet height is overall product height with minimum clearance above oven control panel to upper cabinetry front panel.  
\*\*Cabinetry shown in drawings 3/4" (19mm) panels.

Note: Oven requires 1/16" (2mm) spacers for screws (supplied x 4).

<b>Product Dimensions</b>		
	inch	mm
Ⓒ Overall height of product	48 1/2	1232
Ⓓ Overall width of product	29 15/16	760
Ⓘ Thickness of oven control panel*	1 9/16	40

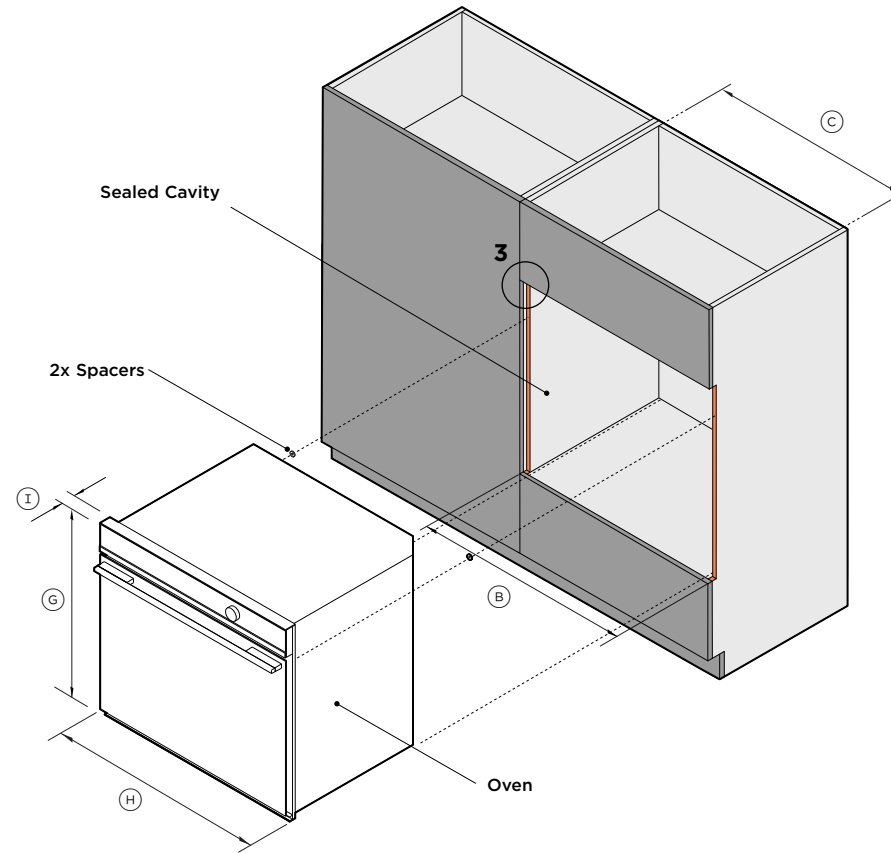
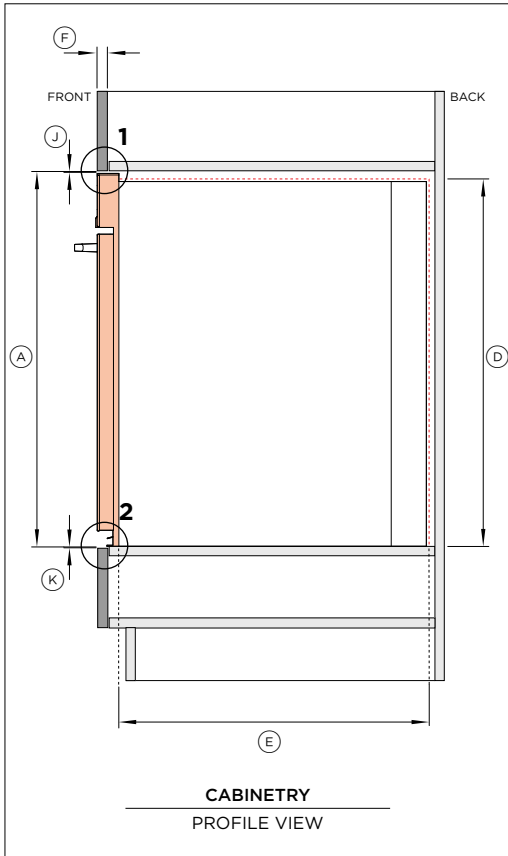
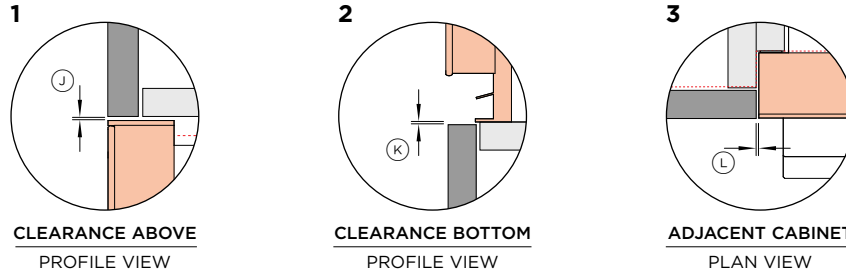
\*If the oven control panel is thicker than 3/4" (20mm), adjust the panel above and below to ensure the oven sits flush with the front of the cabinetry.

<b>Cabinetry Clearances</b>		
	inch	mm
Ⓙ Minimum clearance above oven control panel to upper cabinetry front panel	1/16	2
Ⓚ Minimum clearance between bottom of oven chassis to lower cabinetry front panel	1/16	2
Ⓛ Minimum clearance between adjacent front panel or appliance	1/16	2

The models shown in this Planning Guide may not be available in all markets and are subject to change at any time. Product specifications may vary from those shown. This Planning Guide should not be used as installation guidance for any product. Further information is required to safely and correctly install the products featured here. Specific installation guidance will be available on our website [fisherpaykel.com](http://fisherpaykel.com)

**COOKTOP CLEARANCE**

If installing a cooktop above the oven, ensure adequate clearance is provided for the cooktop as per the cooktop manufacturer's instructions.



**Model no:**

Oven, 30" - OB30SDPTDX2, OB30SD14PLX1

Cabinetry Dimensions - Flush Installation		
	inch	mm
A Overall cabinet height*	27 1/4	692
B Overall cabinet width - single installation	30 1/16	764
C Minimum inside width of cavity	28 1/2	724
D Minimum inside height of cavity	26 13/16	681
E Minimum inside depth of cavity	22 5/8	575
F Thickness of cabinetry front panel**	5/8-13/16	16-20

\*Overall cabinet height is overall product height with minimum clearance above oven control panel to upper cabinetry front panel.

\*\*Cabinetry shown in drawings 3/4" (19mm) panels.

Note: Oven requires 1/16" (2mm) spacers for screws (supplied x 2).

Product Dimensions		
	inch	mm
G Overall height of product	27 3/16	690
H Overall width of product	29 15/16	760
I Thickness of oven control panel*	1 9/16	40

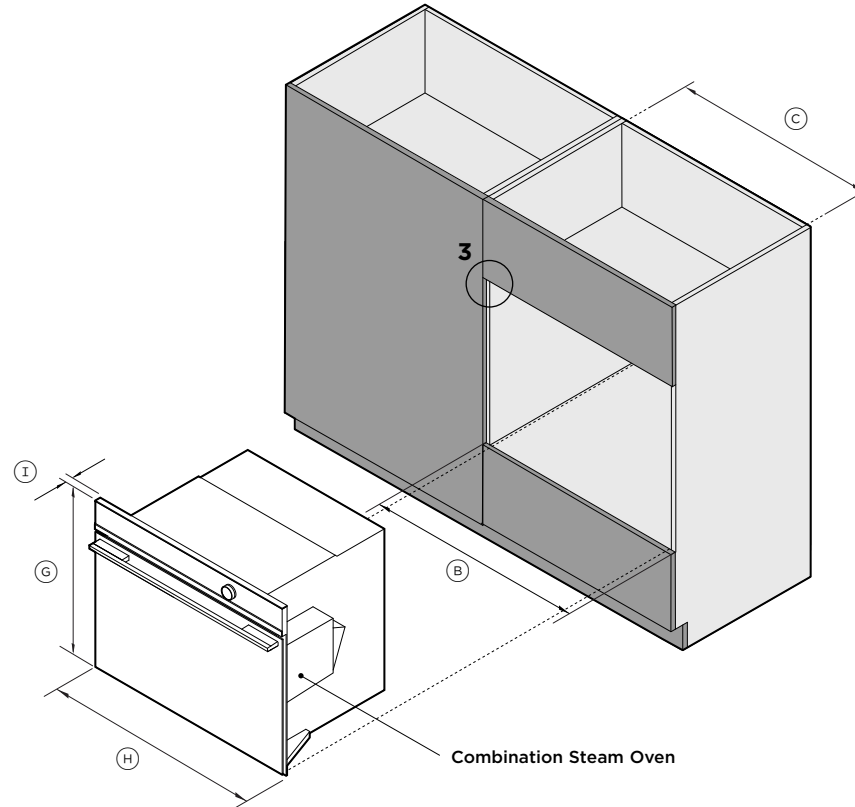
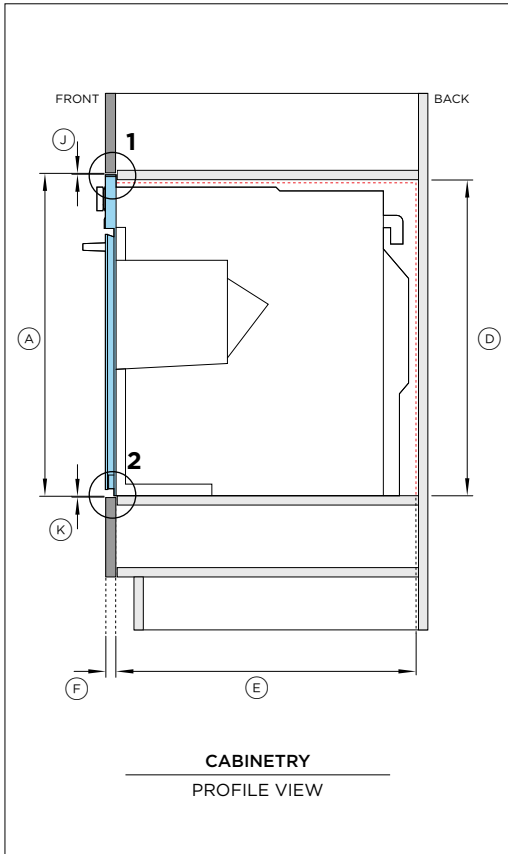
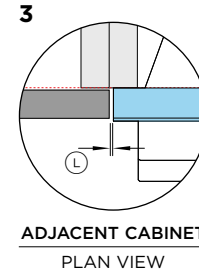
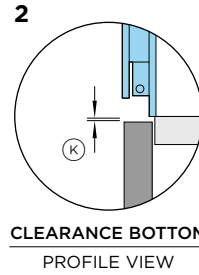
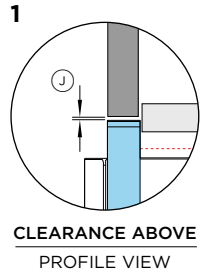
\*If the oven control panel is thicker than 3/4" (20mm), adjust the panel above and below to ensure the oven sits flush with the front of the cabinetry.

Cabinetry Clearances		
	inch	mm
J Minimum clearance above oven control panel to upper cabinetry front panel	1/16	2
K Minimum clearance between bottom of oven chassis to lower cabinetry front panel	1/16	2
L Minimum clearance between adjacent front panel or appliance	1/16	2

The models shown in this Planning Guide may not be available in all markets and are subject to change at any time. Product specifications may vary from those shown. This Planning Guide should not be used as installation guidance for any product. Further information is required to safely and correctly install the products featured here. Specific installation guidance will be available on our website fisherpaykel.com

**COOKTOP CLEARANCE**

If installing a cooktop above the oven, ensure adequate clearance is provided for the cooktop as per the cooktop manufacturer's instructions.



**Model no:**  
Combination Steam Oven, 30" - OS30SDTDX1, OS30SDLX1

<b>Cabinetry Dimensions - Flush Installation</b>		
	inch	mm
Ⓐ Overall cabinet height*	23 5/8	600
Ⓑ Overall cabinet width - single installation	30 1/16	764
Ⓒ Minimum inside width of cavity	28 1/2	724
Ⓓ Minimum inside height of cavity	22 13/16	580
Ⓔ Minimum inside depth of cavity	21 5/8	550
Ⓕ Thickness of cabinetry front panel**	5/8-13/16	16-20

\*Overall cabinet height is overall product height with minimum clearance above oven control panel to upper cabinetry front panel.  
\*\*Cabinetry shown in drawings 3/4" (19mm) panels.

Note: Concider placement of shelf above minimum inside height of cavity.

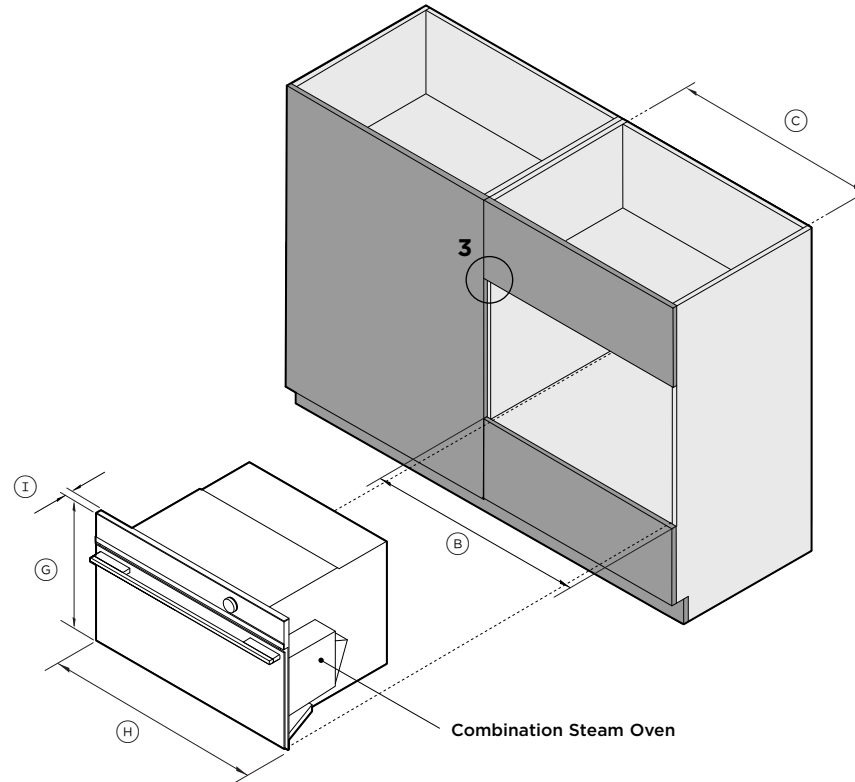
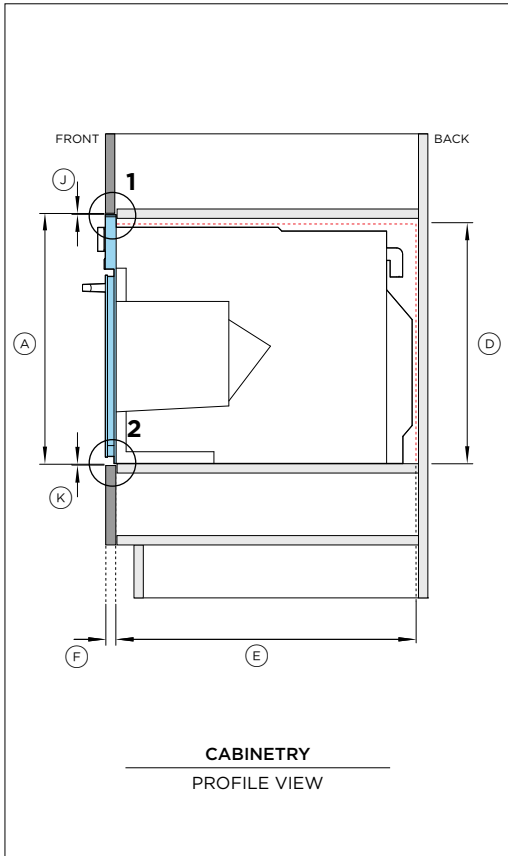
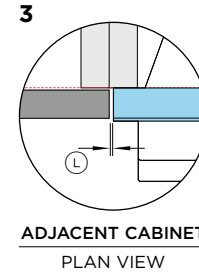
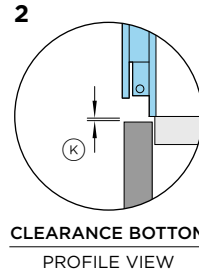
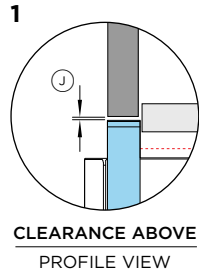
<b>Product Dimensions</b>		
	inch	mm
Ⓒ Overall height of product	23 9/16	598
Ⓓ Overall width of product	29 15/16	760
Ⓕ Thickness of oven front panel	13/16	20

<b>Cabinetry Clearances</b>		
	inch	mm
Ⓐ Minimum clearance above oven control panel to upper cabinetry front panel	1/16	2
Ⓑ Minimum clearance between bottom of oven chassis to lower cabinetry front panel	1/16	2
Ⓒ Minimum clearance between adjacent front panel or appliance	1/16	2

The models shown in this Planning Guide may not be available in all markets and are subject to change at any time. Product specifications may vary from those shown. This Planning Guide should not be used as installation guidance for any product. Further information is required to safely and correctly install the products featured here. Specific installation guidance will be available on our website fisherpaykel.com

**COOKTOP CLEARANCE**

If installing a cooktop above the oven, ensure adequate clearance is provided for the cooktop as per the cooktop manufacturer's instructions.



**Model no:**

Combination Steam Oven, 30" - OS30NDTDX1, OS30NDLX1

<b>Cabinetry Dimensions - Flush Installation</b>		
	<b>inch</b>	<b>mm</b>
Ⓐ Overall cabinet height*	18 1/8	460
Ⓑ Overall cabinet width - single installation	30 1/16	764
Ⓒ Minimum inside width of cavity	28 1/2	724
Ⓓ Minimum inside height of cavity	17 5/16	440
Ⓔ Minimum inside depth of cavity	21 5/8	550
Ⓕ Thickness of cabinetry front panel**	5/8-13/16	16-20

\*Overall cabinet height is overall product height with minimum clearance above oven control panel to upper cabinetry front panel.

\*\*Cabinetry shown in drawings 3/4" (19mm) panels.

Note: Concider placement of shelf above minimum inside height of cavity.

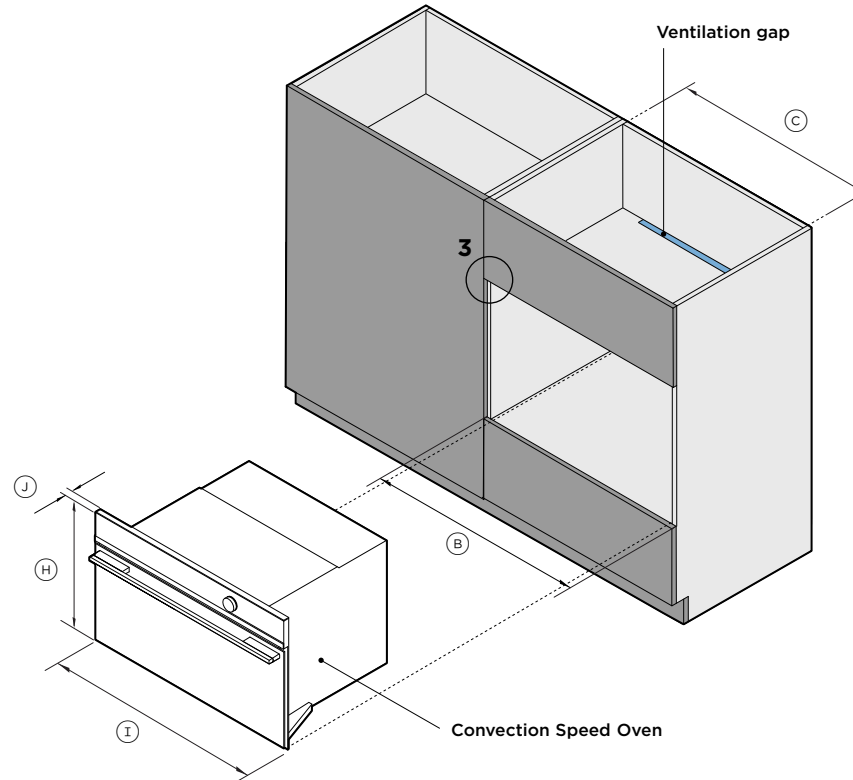
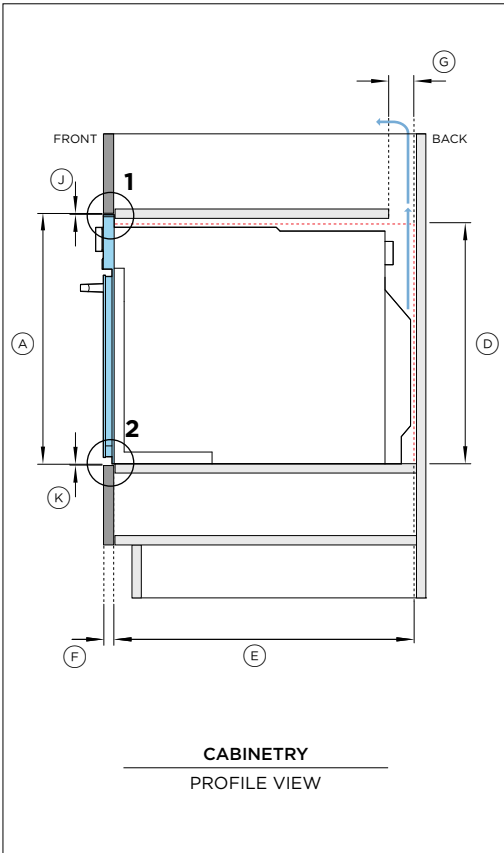
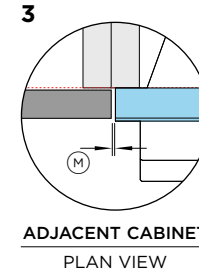
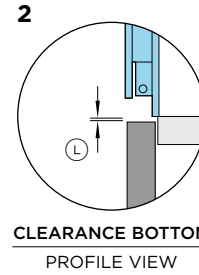
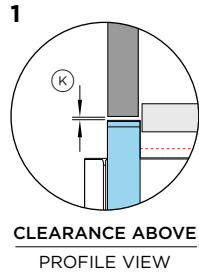
<b>Product Dimensions</b>		
	<b>inch</b>	<b>mm</b>
Ⓒ Overall height of product	18	458
Ⓓ Overall width of product	29 15/16	760
Ⓕ Thickness of oven front panel	13/16	20

<b>Cabinetry Clearances</b>		
	<b>inch</b>	<b>mm</b>
Ⓐ Minimum clearance above oven control panel to upper cabinetry front panel	1/16	2
Ⓑ Minimum clearance between bottom of oven chassis to lower cabinetry front panel	1/16	2
Ⓒ Minimum clearance between adjacent front panel or appliance	1/16	2

The models shown in this Planning Guide may not be available in all markets and are subject to change at any time. Product specifications may vary from those shown. This Planning Guide should not be used as installation guidance for any product. Further information is required to safely and correctly install the products featured here. Specific installation guidance will be available on our website fisherpaykel.com

**VENTILATION**

Ventilation of 2" x 22 1/16" (50mm x 560mm) or totalling 43.4in<sup>2</sup> (280cm<sup>2</sup>) is required. The air vent must be located at the rear of cabinet, it can be positioned at the base, top, sides, or back.



**Model no:**  
Convection Speed Oven, 30" - OM30NDTDX1, OM30NDLX1

<b>Cabinetry Dimensions - Flush Installation</b>	<b>inch</b>	<b>mm</b>
Ⓐ Overall cabinet height*	18 1/8	460
Ⓑ Overall cabinet width - single installation	30 1/16	764
Ⓒ Minimum inside width of cavity	28 1/2	724
Ⓓ Minimum inside height of cavity	17 5/16	440
Ⓔ Minimum inside depth of cavity	21 5/8	550
Ⓕ Thickness of cabinetry front panel**	5/8-13/16	16-20
Ⓖ Ventilation gap***	2	50

\*Overall cabinet height is overall product height with minimum clearance above oven control panel to upper cabinetry front panel  
 \*\*Cabinetry shown in drawings 3/4" (19mm) panels.  
 \*\*\*A rear ventilation air vent totalling 43.4in<sup>2</sup> (280cm<sup>2</sup>) is required. The air vent must be located at the rear of the cabinet, it can be positioned at the base, sides, back or top of the cavity.

Note: Consider placement of shelf above minimum inside height of cavity.

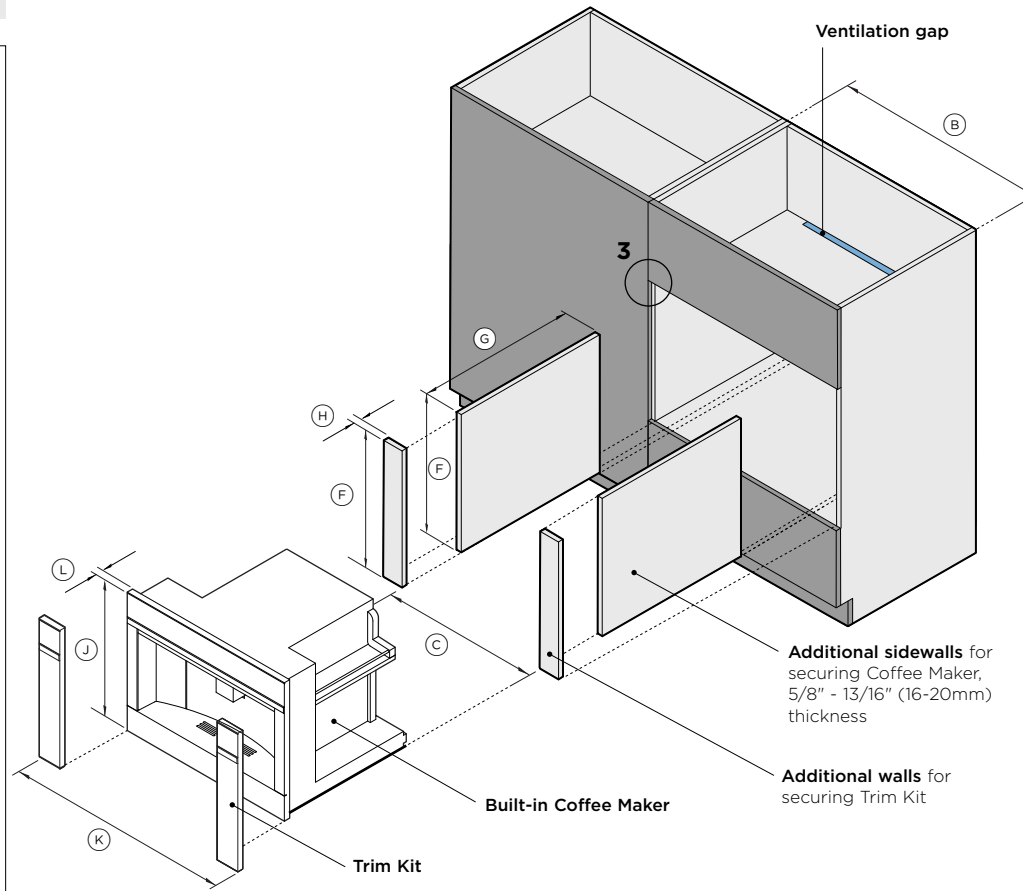
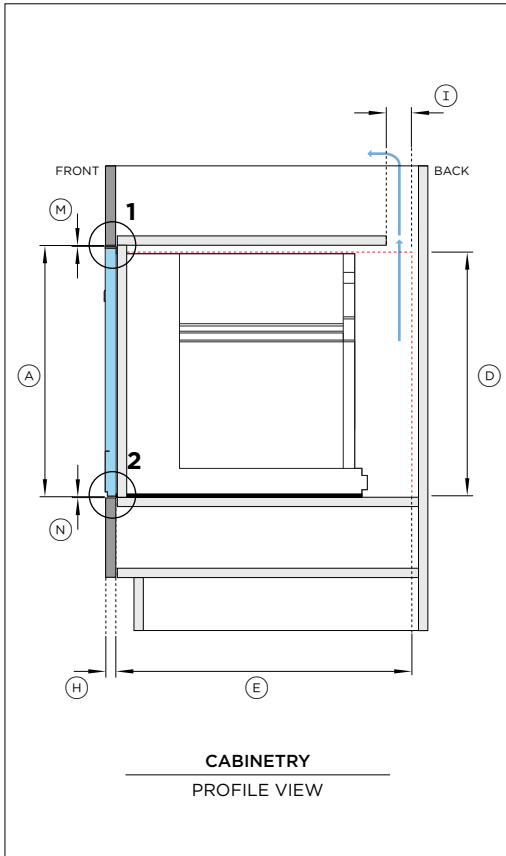
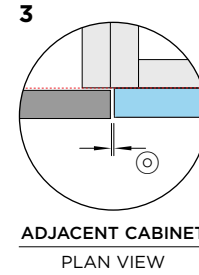
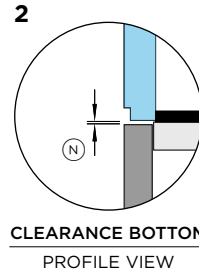
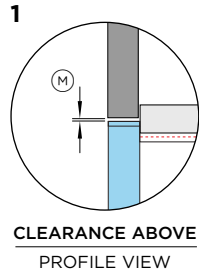
<b>Product Dimensions</b>	<b>inch</b>	<b>mm</b>
Ⓜ Overall height of product	18	458
Ⓨ Overall width of product	29 15/16	760
Ⓩ Thickness of oven front panel	13/16	20

<b>Cabinetry Clearances</b>	<b>inch</b>	<b>mm</b>
Ⓧ Minimum clearance above oven control panel to upper cabinetry front panel	1/16	2
Ⓦ Minimum clearance between bottom of oven chassis to lower cabinetry front panel	1/16	2
ⓐ Minimum clearance between adjacent front panel or appliance	1/16	2

The models shown in this Planning Guide may not be available in all markets and are subject to change at any time. Product specifications may vary from those shown. This Planning Guide should not be used as installation guidance for any product. Further information is required to safely and correctly install the products featured here. Specific installation guidance will be available on our website fisherpaykel.com

**VENTILATION**

Ventilation of 2" x 22 1/16" (50mm x 560mm) or totalling 43.4in<sup>2</sup> (280cm<sup>2</sup>) is required. The air vent must be located at the rear of cabinet, it can be positioned at the base, top, sides, or back.



**Model no:**  
Built-in Coffee Maker, 24" - EB24DSX1  
Trim Kit, 30" - TK7630NDX1

<b>Cabinetry Dimensions - Flush Installation</b>		inch	mm
Ⓐ	Overall cabinet height with trim kit*	18 1/8	460
Ⓑ	Overall cabinet width - single installation	30 1/16	764
Ⓒ	Minimum inside width of cavity	22 1/16	560
Ⓓ	Minimum inside height of cavity	17 3/4	450
Ⓔ	Minimum inside depth of cavity	22 13/16	580
Ⓕ	Minimum height of additional side walls	17 3/4	450
Ⓖ	Minimum depth of additional side walls**	22 1/16	561
Ⓗ	Thickness of cabinetry front panel**	5/8-13/16	16-20
Ⓘ	Ventilation gap***	2	50

\*Overall cabinet height is overall product height with minimum clearance above coffee maker control panel to upper cabinetry front panel  
\*\*Cabinetry shown in drawings 3/4" (19mm) panels.  
\*\*\*A rear ventilation air vent totalling 43.4in<sup>2</sup> (280cm<sup>2</sup>) is required. The air vent must be located at the rear of the cabinet, it can be positioned at the base, sides, back or top of the cavity.

Note: Consider placement of shelf above minimum inside height of cavity.

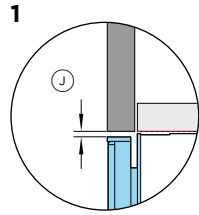
<b>Product Dimensions</b>		inch	mm
Ⓐ	Overall height of built-in coffee maker and trim kit	18	458
Ⓑ	Overall width of built-in coffee maker and trim kit	29 15/16	760
Ⓘ	Thickness of built-in coffee maker and trim kit front panel	13/16	20

<b>Cabinetry Clearances</b>		inch	mm
Ⓜ	Minimum clearance above trim kit front panel to upper cabinetry front panel	1/16	2
Ⓝ	Minimum clearance between bottom of trim kit to lower cabinetry front panel	1/16	2
Ⓞ	Minimum clearance between adjacent front panel or appliance	1/16	2

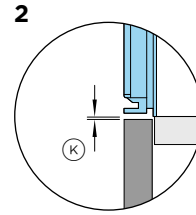
The models shown in this Planning Guide may not be available in all markets and are subject to change at any time. Product specifications may vary from those shown. This Planning Guide should not be used as installation guidance for any product. Further information is required to safely and correctly install the products featured here. Specific installation guidance will be available on our website fisherpaykel.com

**NOTE**

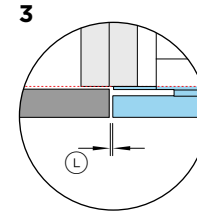
The Warming Drawer can fully support a 30inch Fisher & Paykel oven, without adding a shelf in between.



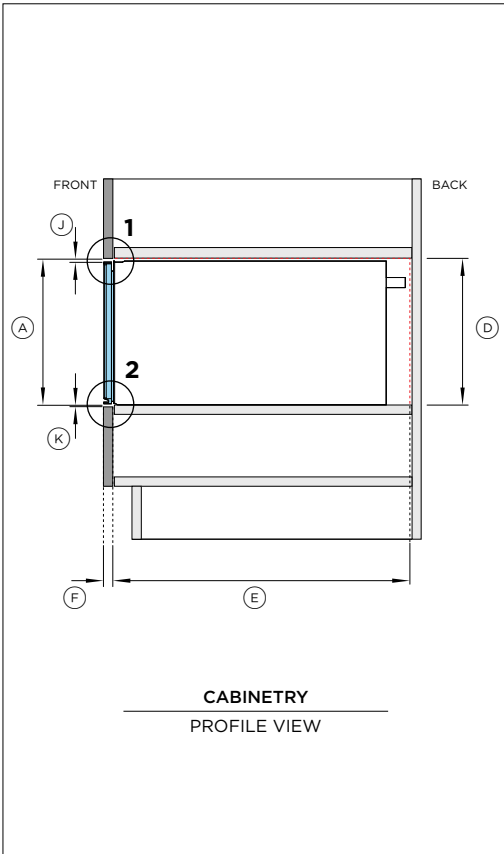
**1**  
**CLEARANCE ABOVE**  
PROFILE VIEW



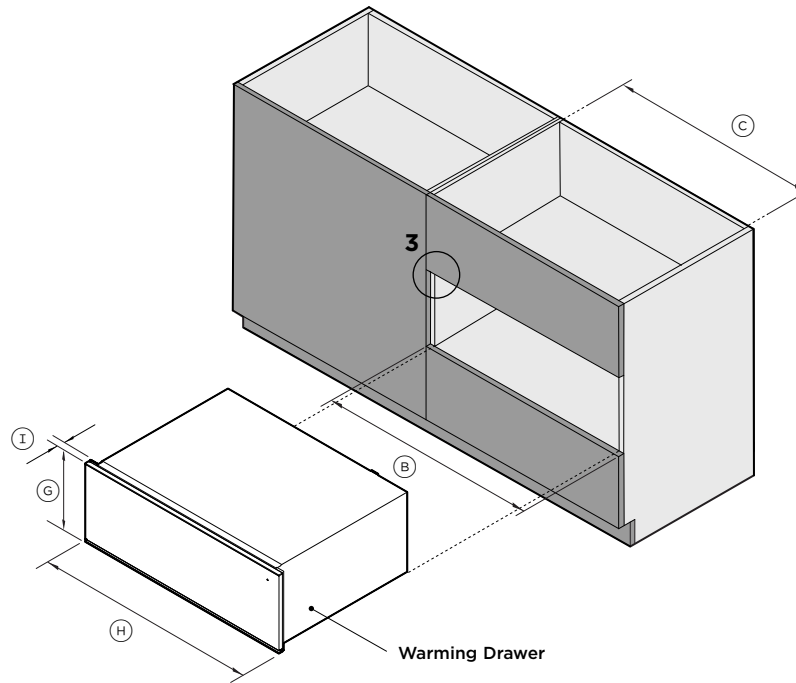
**2**  
**CLEARANCE BOTTOM**  
PROFILE VIEW



**3**  
**ADJACENT CABINET**  
PLAN VIEW



**CABINERY**  
PROFILE VIEW



Warming Drawer

**Model no:**

Warming Drawer, 30" - WB30SDX1-SET, WB30SDB1-SET

<b>Cabinetry Dimensions - Flush Installation</b>		
	<b>inch</b>	<b>mm</b>
Ⓐ Overall cabinet height*	10 13/16	275
Ⓑ Overall cabinet width - single installation	30 1/16	764
Ⓒ Minimum inside width of cavity	28 1/2	724
Ⓓ Minimum inside height of cavity	10 3/4	273
Ⓔ Minimum inside depth of cavity	22 13/16	580
Ⓕ Thickness of cabinetry front panel**	5/8-13/16	16-20

\*Overall cabinet height is overall product height with minimum clearance above drawer front panel to upper cabinetry front panel.

\*\*Cabinetry shown in drawings 3/4" (19mm) panels.

Note: Concider placement of shelf above minimum inside height of cavity.

<b>Product Dimensions</b>		
	<b>inch</b>	<b>mm</b>
Ⓒ Overall height of product	10 11/16	271
Ⓓ Overall width of product	29 15/16	760
Ⓕ Thickness of warming drawer front panel and flange	13/16	20

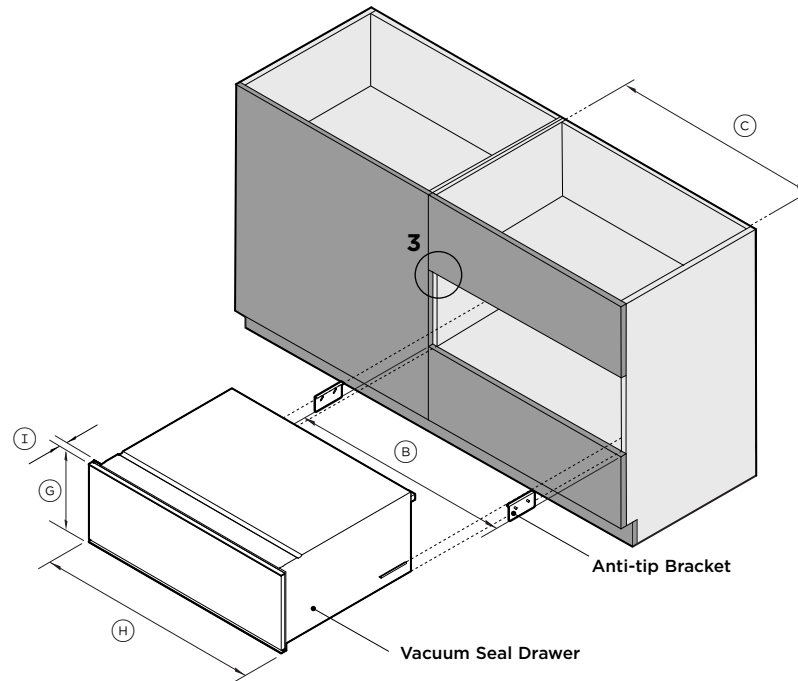
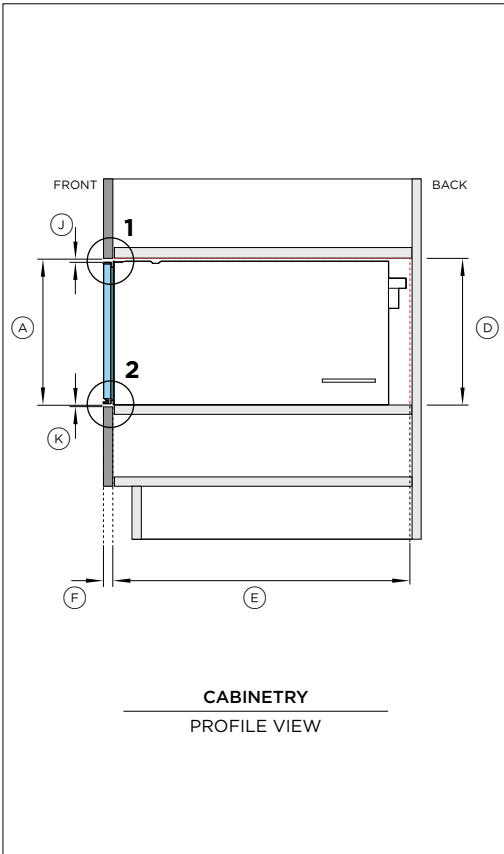
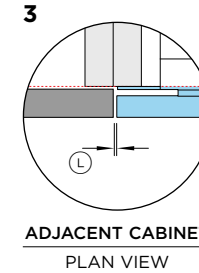
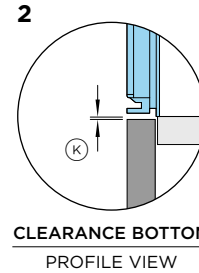
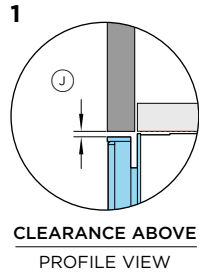
<b>Cabinetry Clearances</b>		
	<b>inch</b>	<b>mm</b>
Ⓘ Minimum clearance above drawer front panel to upper cabinetry front panel*	5/32	4
Ⓚ Minimum clearance between bottom of drawer chassis to lower cabinetry front panel	1/16	2
Ⓛ Minimum clearance between adjacent front panel or appliance	1/16	2

\*Achieve a smaller gap between drawer front panel to upper cabinetry front panel by dropping cabinetry front panel down

The models shown in this Planning Guide may not be available in all markets and are subject to change at any time. Product specifications may vary from those shown. This Planning Guide should not be used as installation guidance for any product. Further information is required to safely and correctly install the products featured here. Specific installation guidance will be available on our website [fisherpaykel.com](http://fisherpaykel.com)

**NOTE**

The Vacuum Seal Drawer can fully support a 30inch Fisher & Paykel oven, without adding a shelf in between.



**Model no:**  
Vacuum Seal Drawer 30" - VB30SDX1-SET, VB30SDB1-SET

<b>Cabinetry Dimensions - Flush Installation</b>		<b>inch</b>	<b>mm</b>
Ⓐ	Overall cabinet height*	10 13/16	275
Ⓑ	Overall cabinet width - single installation	30 1/16	764
Ⓒ	Minimum inside width of cavity	28 1/2	724
Ⓓ	Minimum inside height of cavity	10 3/4	273
Ⓔ	Minimum inside depth of cavity	22 13/16	580
Ⓕ	Thickness of cabinetry front panel**	5/8-13/16	16-20

\*Overall cabinet height is overall product height with minimum clearance above drawer front panel to upper cabinetry front panel.  
\*\*Cabinetry shown in drawings 3/4" (19mm) panels.

Note: Concider placement of shelf above minimum inside height of cavity.

<b>Product Dimensions</b>		<b>inch</b>	<b>mm</b>
Ⓒ	Overall height of product	10 11/16	271
Ⓓ	Overall width of product	29 15/16	760
Ⓘ	Thickness of vacuum seal drawer front panel and flange	13/16	20

<b>Cabinetry Clearances</b>		<b>inch</b>	<b>mm</b>
Ⓙ	Minimum clearance above drawer front panel to upper cabinetry front panel*	5/32	4
Ⓚ	Minimum clearance between bottom of drawer chassis to lower cabinetry front panel	1/16	2
Ⓛ	Minimum clearance between adjacent front panel or appliance	1/16	2

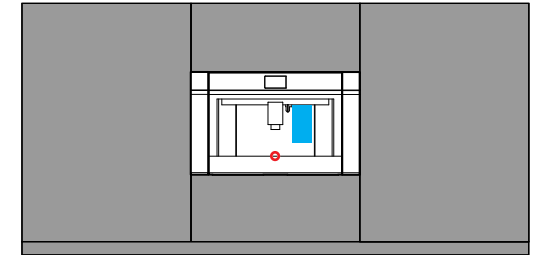
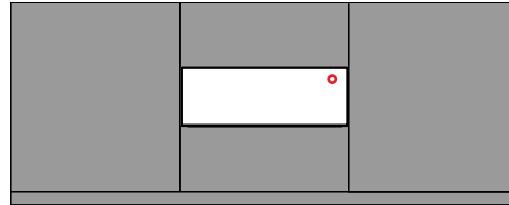
\*Achieve a smaller gap between drawer front panel to upper cabinetry front panel by dropping cabinetry front panel down

The models shown in this Planning Guide may not be available in all markets and are subject to change at any time. Product specifications may vary from those shown. This Planning Guide should not be used as installation guidance for any product. Further information is required to safely and correctly install the products featured here. Specific installation guidance will be available on our website [fisherpaykel.com](http://fisherpaykel.com)

## SERVICES

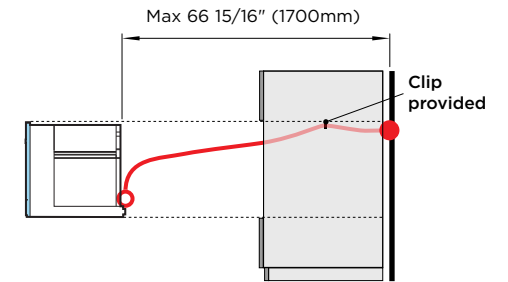
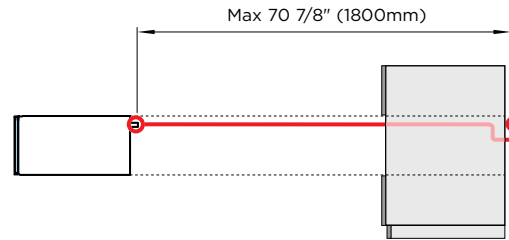
**CONNECTION**

Connections may be located in an adjacent cabinet to either side of the appliance. Ensure power will remain accessible following install to allow access for any future product maintenance.



**BUILT-IN COFFEE MAKER**

The power cable must be long enough to allow the appliance to be extracted from the cabinet to fill the coffee bean container. Fix the power cable with the clip.



- Power Cable
- Water Tank

**VACUUM SEAL DRAWER**  
VB30SDX1-SET  
VB30SDB1-SET

**WARMING DRAWER**  
WB30SDX1-SET  
WB30SDB1-SET

**BUILT-IN COFFEE MAKER**  
EB24DSX1  
Trim Kit TK7630NDX1

**POWER CORD**

Maximum power cord length*	70 7/8" (1800mm)	70 7/8" (1800mm)	66 15/16" (1700mm)
Location	Upper right	Upper right	Lower centered
Connection	Flex cord	Flex cord	Flex cord

\*Measured from power outlet

**WATER**

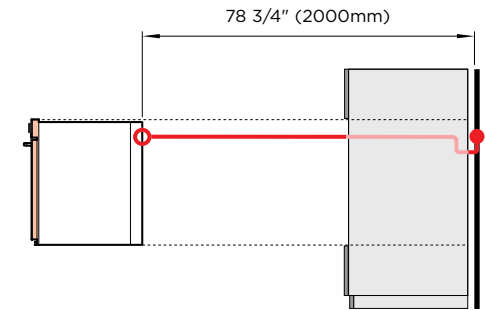
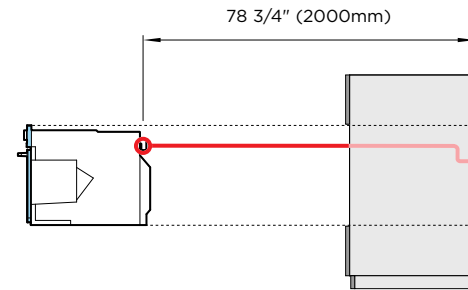
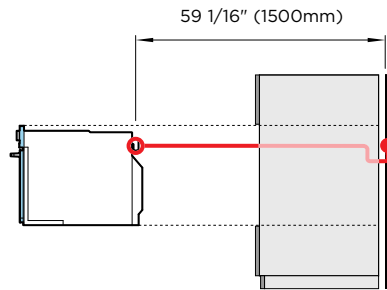
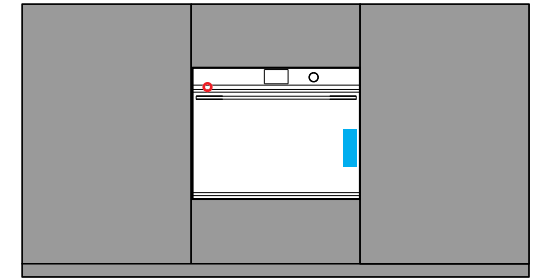
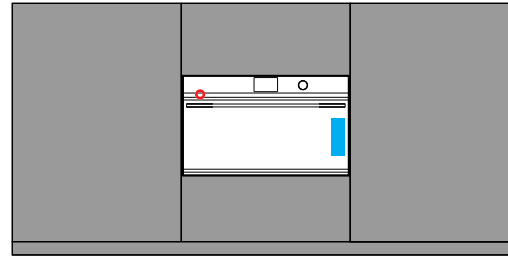
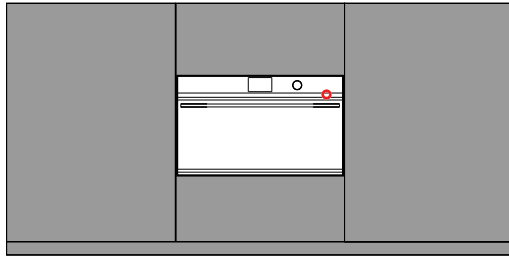
Total Capacity	-	-	84.5 fl oz (2.5L)
Location	-	-	Water tank (internal)



**ELECTRICAL**

Supply	120 V, 60 Hz	120 V, 60 Hz	120 V, 60 Hz
Service	10 A	10 A	10 A

Note: Multiple product installation requires the design of power outlets according to local regulations.

The models shown in this Planning Guide may not be available in all markets and are subject to change at any time. Product specifications may vary from those shown. This Planning Guide should not be used as installation guidance for any product. Further information is required to safely and correctly install the products featured here. Specific installation guidance will be available on our website [fisherpaykel.com](http://fisherpaykel.com)



 Power Cable  
 Water Tank

**CONVECTION SPEED OVEN**  
OM30NDDTX1 | OM30NDLX1

**COMBINATION STEAM OVEN**  
OS30NDDTX1 | OS30NDLX1

**COMBINATION STEAM OVEN**  
OS30SDTX1 | OS30SDLX1

POWER CORD	CONVECTION SPEED OVEN OM30NDDTX1   OM30NDLX1	COMBINATION STEAM OVEN OS30NDDTX1   OS30NDLX1	COMBINATION STEAM OVEN OS30SDTX1   OS30SDLX1
Maximum power cord length*	59 1/16" (1500mm)	78 3/4" (2000mm)	78 3/4" (2000mm)
Location	Upper right	Upper left	Upper left
Connection	Hard wire**	Hard wire**	Hard wire**

\*Measured from power outlet, supplied with product.

\*\*For more information, refer to the Installation Guide. Ensure power will remain accessible following install to allow access for any future product maintenance.

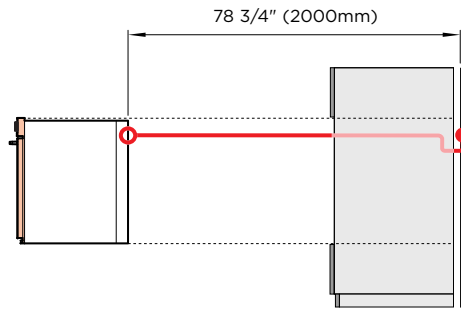
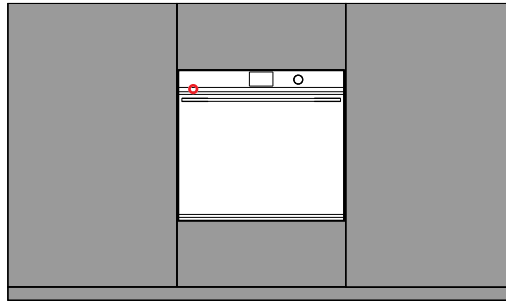
WATER	CONVECTION SPEED OVEN OM30NDDTX1   OM30NDLX1	COMBINATION STEAM OVEN OS30NDDTX1   OS30NDLX1	COMBINATION STEAM OVEN OS30SDTX1   OS30SDLX1
Total Capacity	-	47.3 fl oz (1.4L)	47.3 fl oz (1.4L)
Location	-	Water tank (internal)	Water tank (internal)

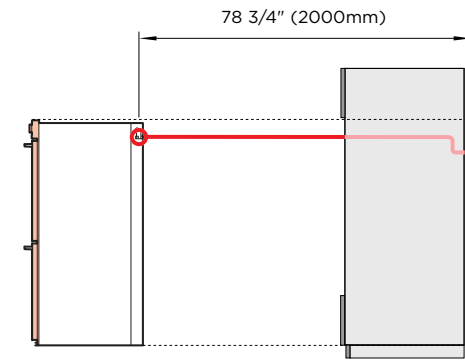
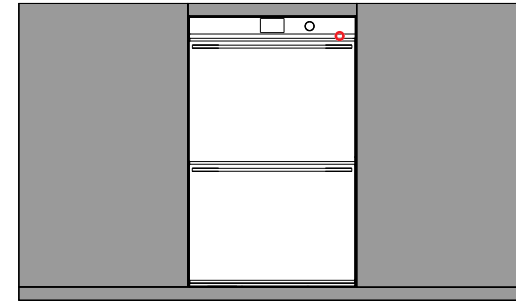
ELECTRICAL	CONVECTION SPEED OVEN OM30NDDTX1   OM30NDLX1	COMBINATION STEAM OVEN OS30NDDTX1   OS30NDLX1	COMBINATION STEAM OVEN OS30SDTX1   OS30SDLX1
Supply	208 or 240 V, 60 Hz	208 or 240 V, 60 Hz	208 or 240 V, 60 Hz
Service	20 A	20 A	20 A

Note: Multiple product installation requires the design of power outlets according to local regulations.

The models shown in this Planning Guide may not be available in all markets and are subject to change at any time. Product specifications may vary from those shown. This Planning Guide should not be used as installation guidance for any product. Further information is required to safely and correctly install the products featured here. Specific installation guidance will be available on our website [fisherpaykel.com](http://fisherpaykel.com)



**CONVECTION SPEED OVEN**  
OM30NDTDX1 | OM30NDLX1



**COMBINATION STEAM OVEN**  
OS30NDTDX1 | OS30NDLX1

Power Cable  
 Water Tank

**POWER CORD**

Maximum power cord length*	78 3/4" (2000mm)	78 3/4" (2000mm)
Location	Upper left	Upper right
Connection	Hard wire**	Hard wire**

\*Measured from power outlet, supplied with product.

\*\*For more information, refer to the Installation Guide. Ensure power will remain accessible following install to allow access for any future product maintenance.

**WATER**

Total Capacity	-	-
Location	-	-

**ELECTRICAL**

Supply	208 or 240 V, 60 Hz	208 or 240 V, 60 Hz
Service	20 A	40 A

Note: Multiple product installation requires the design of power outlets according to local regulations.

The models shown in this Planning Guide may not be available in all markets and are subject to change at any time. Product specifications may vary from those shown. This Planning Guide should not be used as installation guidance for any product. Further information is required to safely and correctly install the products featured here. Specific installation guidance will be available on our website [fisherpaykel.com](http://fisherpaykel.com)

