



MW420621

microwave drawer 400 series  
24", stainless steel  
MW420621

- Built-in microwave drawer, perfect for kitchen islands, under counter and wall applications
- Flush installation
- Handleless microwave drawer. One touch to open and close.
- Sensor cooking mode for easy cooking
- 950 W microwave power
- Built-in microwave drawer, perfect for kitchen islands, under counter and wall applications

Flush installation

Handleless microwave drawer. One touch to open and close.

Sensor cooking mode for easy cooking

950 W microwave power

Net volume 1.2 cu. ft.

#### Cooking modes

Quick defrost program.

Sensor reheat program. Popcorn sensor cooking. Kitchen timer.

Maximum microwave output power 950 W.

#### Operation

Hidden control panel tilts out for ergonomic operation. One touch to open and close the microwave drawer.

#### Features

Glass touch control panel and an interactive visual display.

Digital display with scrolling text.

Interior capacity accommodates 9" x 13" pans and cups up to 7" in height or 20 oz.

Open interior dimensions:

Width 17 5/16" x Height 7 1/8" x Depth 16 9/16"

Adjustable cooking time up to 99 minutes and 99 seconds.

Keep warm setting allows food to be kept warm for up to 30 minutes.

Sensor cooking mode controls humidity and automatically adjusts cooking level and cooking time for various foods and quantities.

#### Selected digital services (Gaggenau Home Connect)

Remote control and monitoring.

#### Safety

Child lock.

#### Planning notes

The built-in microwave drawer can be installed using a standard or flush (inset) installation (see adjacent drawings).

Cabinet base support requirements: 100 pounds. Microwave drawer can be installed below a cooktop but requires a clearance of at least 2".

Appliance dimensions:

Width 23 7/8" x Height 16 5/16" x Depth 23 3/8"

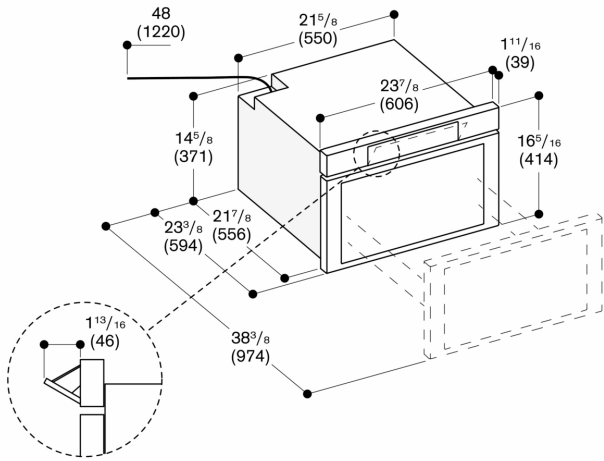
#### Rating

Total rating 1.5 KW.

Total Amps: 15 A.

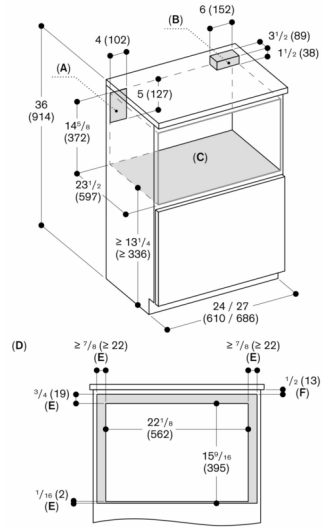
120 V / 60 Hz.

Connecting cable 48" with plug.



Measurements in inches (mm)

Standard installation



A: Recommended location of electrical outlet

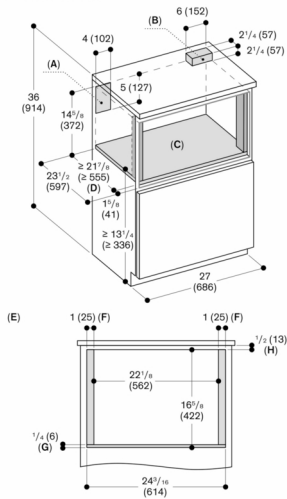
B: Anti-tip block  
C: Base should support up to 100 lb

D: Front view of cut-out  
E: Overlap  
F: Visible area

If under a counter, minimum clearance to counter top should be 7/16" (11 mm)

Measurements in inches (mm)

Flush installation



A: Recommended location of electrical outlet

B: Anti-tip block  
C: Base should support up to 100 lb  
D: Base depth

E: Front view of cut-out  
F: Sides should be finished and extend back to cleat

Cleats should also be finished, as they may be visible after installation

G: Base thickness  
H: Visible area

If under a counter, minimum clearance to counter top should be 7/16" (11 mm)

Measurements in inches (mm)