



# 3 SERIES 30"W. DUAL FUEL RANGE

Viking 3 Series – RVDR

## FEATURES AND FUNCTIONS

- Wide variety of BTU ratings to accommodate all types of surface cooking needs – including a fifth burner
  - Left front – 18,000 BTU
  - Left rear – 9,100 BTU
  - Center – 9,100 BTU
  - Right front – 17,000 BTU
  - Right rear – 12,000 BTU
- Sealed burners with porcelainized, cast-iron burner caps
- **EXCLUSIVE** – SureSpark™ Ignition System
  - Automatic electric spark ignition/re-ignition; surface burners light at any position on the knob and re-light if extinguished, even on lowest setting
- **EXCLUSIVE** – largest oven cavity in the industry
  - 4.7 cu. ft. overall
  - 4.1 cu. ft. measured to AHAM standard (See specifications chart for oven interior dimensions)
- High performance cooking modes include Bake, Convection Bake, TruConvec™ Convection Cooking, Convection Roast, Hi Broil, Medium Broil, Low Broil, Convection Broil, Convection Dehydrate, and Convection Defrost
- **EXCLUSIVE** – Patented Vari-Speed Dual Flow™ Convection System has the largest convection fan in the industry; the 8-1/2" fan works bi-directionally for maximum airflow and excellent cooking results
- Concealed 10-pass dual bake element provides precise temperature control
- 10-pass broiler with heat reflector provides superior broiling performance
- Rapid Ready™ Preheat provides super fast preheating
- Oven has six porcelain-coated rack supports and comes standard with one TruGlide™ full extension oven rack and two standard racks
- Halogen oven lighting provides excellent visibility throughout oven cavity



- Shipped standard with island trim
- Accessory portable griddle/grill (RDPGD) available for use over center burner

## EASY OPERATION AND CLEANUP

- Extremely large self-clean convection oven
- Permanently sealed burners – spills cannot enter the one-piece tooled and porcelainized burner box
- Durable metal die-cast knobs with child-proof, push-to-turn safety feature
- Customer removable knobs, grates, and burners/caps for easy cleaning
- Continuous grate design for easy movement of pots and pans

## MODEL NUMBERS

- RVDR3302-5B – 30"W. Dual Fuel Self-Clean Range; five burners

## ACCESSORIES

- RD301BG6SS – 6" high backguard for 30" range
- RD24CSTSS – countertop side trim
- P30CRTSS – countertop rear trim for 30" range
- P30CBF4SS – curb base and custom curb base front for 30" range
- RLPKR2 – LP/Propane Conversion Kit

## COLOR FINISHES

- Stainless Steel (SS)
- Volume 1 Color Finishes include Antique Bronze (AN), Blush (BH), Cast Black (CS), Damascus Gray (DG), Eucalyptus (EU), Ivy (IV), Martini (MA), November Sky (NS), Slate Blue (SB), Spiced Cider (SC), Splash (SP)



- Volume 2 Color Finishes include Daffodil (DA), Golden Hour (GH), Nantucket (NA), Onyx (ON), Pure White (PW), Squall (SQ), Valentine (VA)



## WARRANTY

- 2-year full – complete product
- 90-day full – cosmetic parts such as glass, painted items and decorative items
- 5-year limited – surface/tube burners

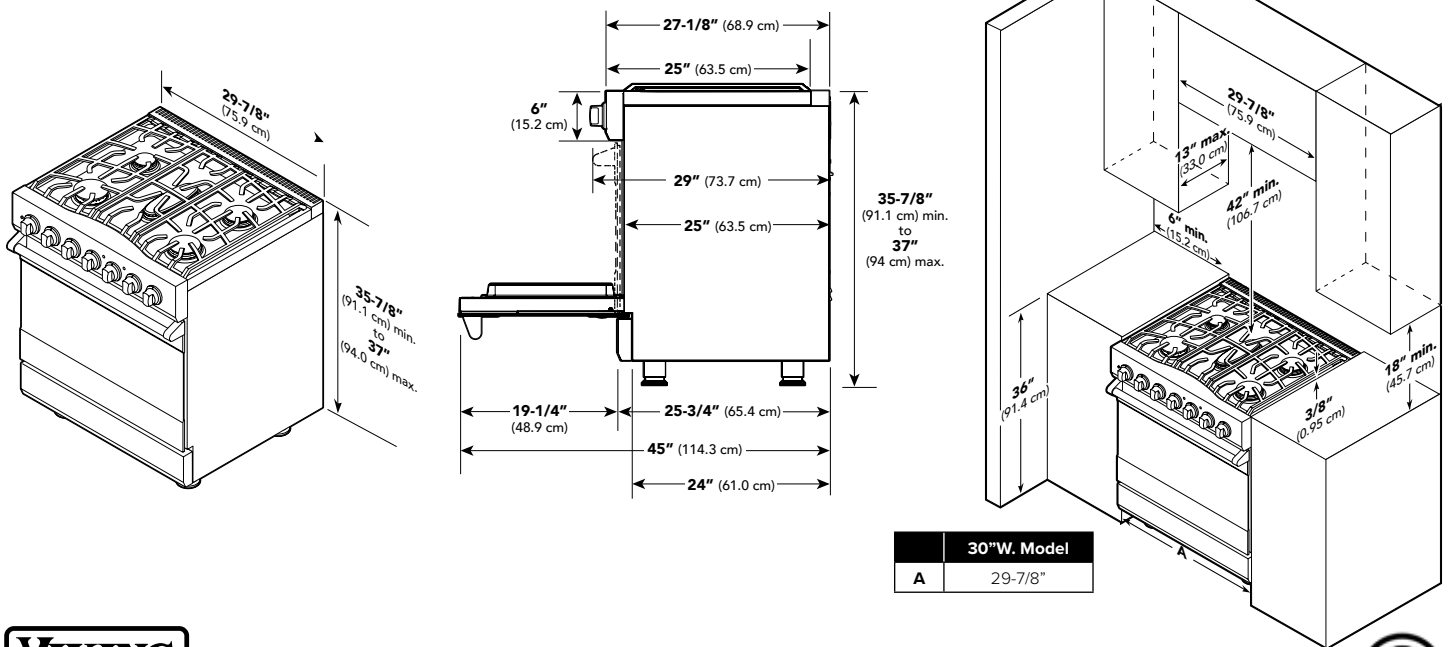


# 3 SERIES 30"W. DUAL FUEL RANGE

Viking 3 Series – RVDR

DUAL FUEL SELF-CLEAN 30"W. RANGE	
<b>DESCRIPTION</b>	<b>RVDR3302-5B</b>
<b>Overall Width</b>	29-7/8" (75.9 cm)
<b>Overall Height</b>	To top of side trim – 35-7/8" (91.1 cm) minimum; 37" (94.0 cm) maximum Legs adjust – 1-1/8" (2.9 cm)
<b>Overall Depth from Rear</b>	To front of side panel – 25" (63.5 cm) To front of door – 25-3/4" (65.4 cm) To front of control panel – 27-1/8" (68.9 cm) To end of knobs – 29" (73.7 cm)
<b>Additions to Overall Height</b>	To top of island trim – add 1" (2.5 cm) To top of 6" h. backguard – add 6" (15.2 cm) To top of high shelf – add 18-3/16" (46.2 cm)
<b>Gas Requirements</b>	Ships Natural or LP/Propane; Field convert with conversion kit (purchased separately); accepts standard residential 1/2" (1.3 cm) ID gas service line.
<b>Gas Manifold Pressure</b>	Natural 5.0" W.C.P./ Liquid Propane L/P 10.0" W.C.P.
<b>Electrical Requirements</b>	240-208 VAC 60 Hz electrical connection box on product, connect with locally supplied 3-wire, flexible cord or "pigtail" rated 40 amp. 125-250 VAC minimum. Cord must be agency approved for use with household electric ranges.
<b>Maximum Amp Usage</b>	240V – 25.4 amps; 208V – 22.9 amps
<b>Surface Burner Rating Natural/LP</b>	Left Front: 18,000 BTU Nat./16,000 BTU LP/Propane (5.3 kW Nat./4.7 kW LP/Propane) Left Rear: 9,100 BTU Nat./6,500 BTU LP/Propane (2.7 kW Nat./1.9 kW LP/Propane) Center: 9,100 BTU Nat./6,500 BTU LP/Propane (2.7 kW Nat./1.9 kW LP/Propane) Right Front: 17,000 BTU Nat./15,000 BTU LP/Propane (5.1 kW Nat./4.4 kW LP/Propane) Right Rear: 12,000 BTU Nat./11,000 BTU LP/Propane (3.5 kW Nat./3.2 kW LP/Propane)
<b>Oven Interior Width</b>	25-5/16" (64.6 cm)
<b>Oven Interior Height</b>	16-1/2" (41.9 cm)
<b>Oven Interior Depth</b>	Overall – 19-1/2" (49.5 cm) AHAM* – 16-13/16" (42.7 cm)
<b>Oven Volume</b>	Overall – 4.7 cu. ft. AHAM* – 4.1 cu. ft.
<b>Approximate Shipping Weight</b>	410 lb. (184.5 kg)

Please do not prepare installation from brochure data only. See installation instructions for important clearance/installation information.  
\*\*The AHAM Standard for measuring oven capacity subtracts the door plug and convection baffle dimension from the total oven volume.



VIKING RANGE, LLC 111 FRONT STREET GREENWOOD, MISSISSIPPI 38930 USA

For detailed product information, model numbers, or to request a quote call 1-888-845-4641 or visit [vikingrange.com](http://vikingrange.com)  
© 2024 Viking Range, LLC All rights reserved. Specifications subject to change without notice.

