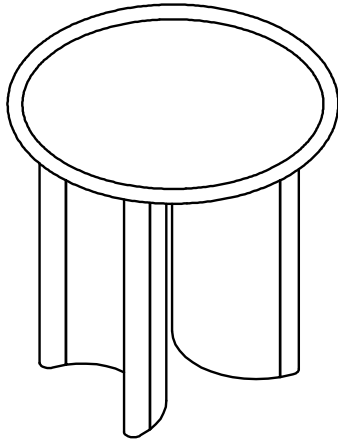
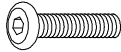



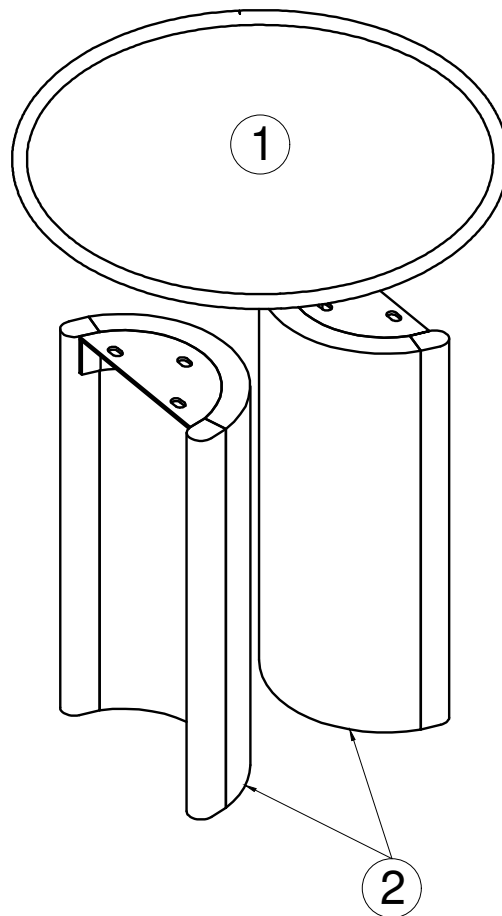


ASSEMBLY INSTRUCTION FOR PADEN END TABLE

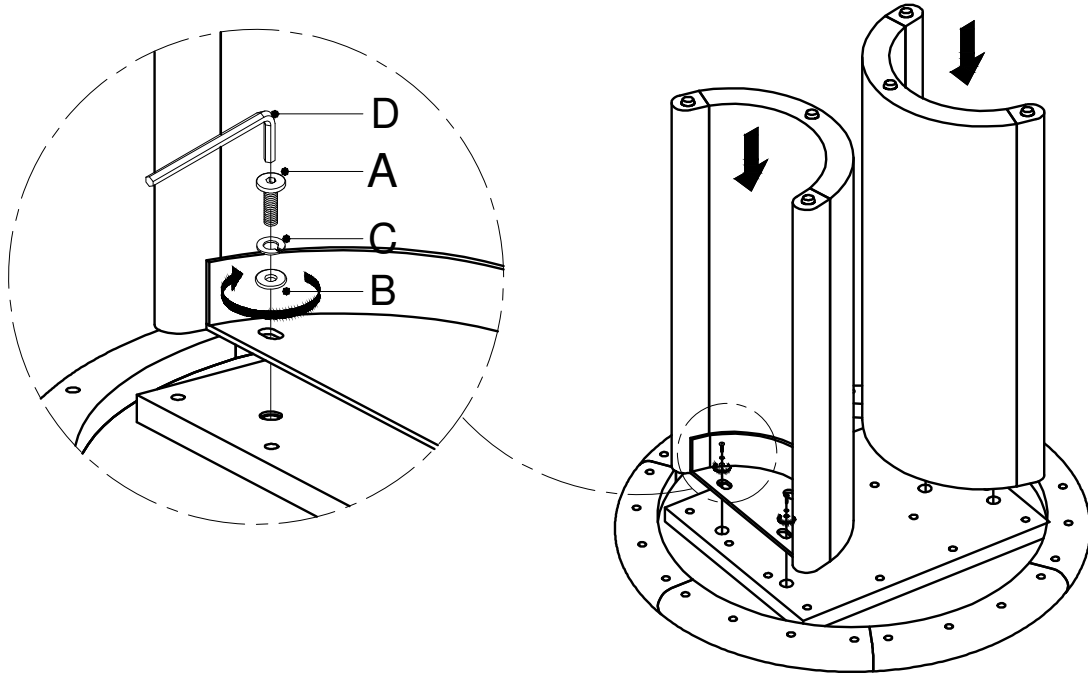


Hardware List				
A		Bolt	8x20mm	6
B		Flat Washer	8x19mm	6
C		Spring Washer	8x19 mm	6
D		Allen Key	4mm	1

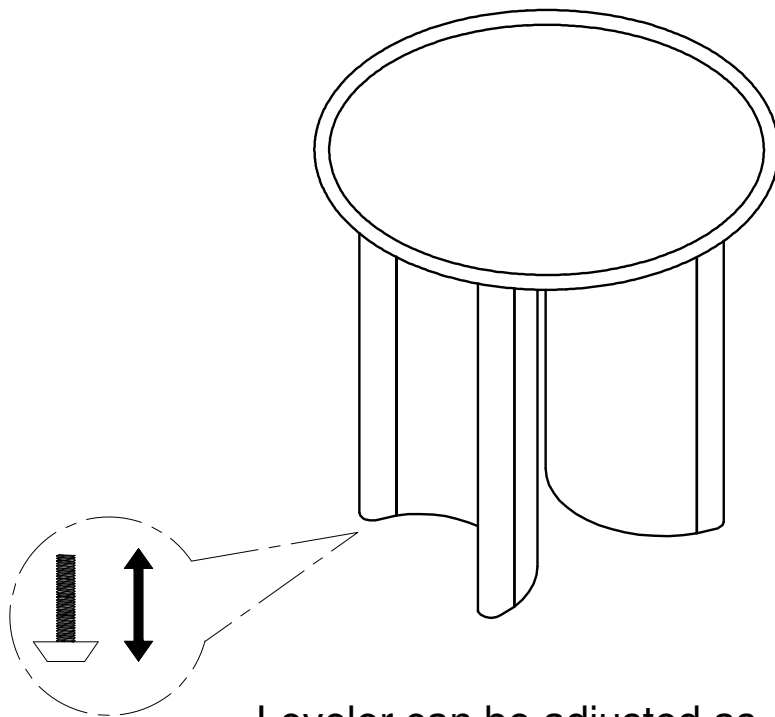


Step 1

Align legs with frame
before tightening bolts



Step 2



Leveler can be adjusted as
necessary for the dresser balance