

# IC FORD 690

Technical Sheet

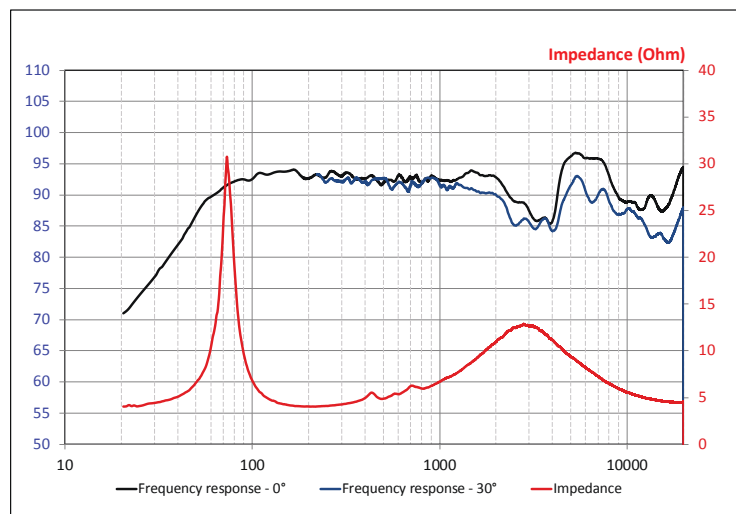
## Coaxial speaker



## SPECIFICATIONS

Nominal power	75W
Maximum power	150W
Sensitivity	92dB
Nom. impedance	4Ω
Cone	Black Polyglass
Surround	Butyl
DC resistance	3.8Ω
VC diameter	30mm 1 3/16"
Former	Kapton
Layers	2
Wire	Copper
Net weight	1070g 2.36lbs

## FREQUENCY RESPONSE/IMPEDANCE

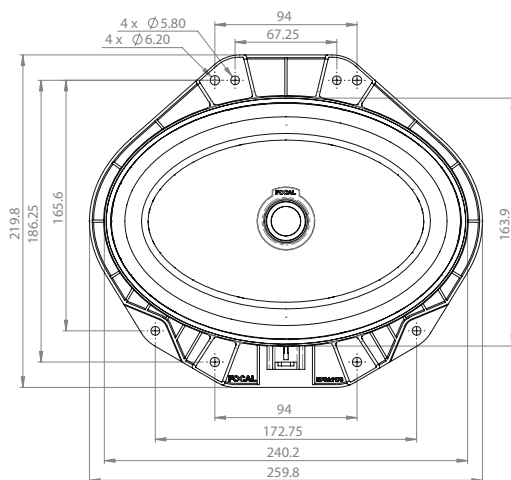
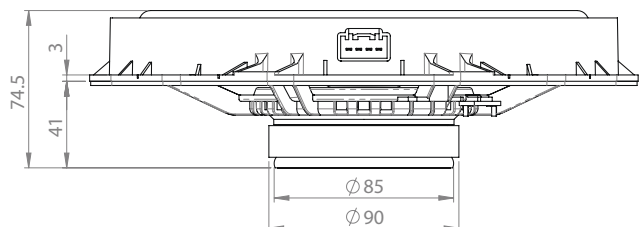


## PARAMETERS

R <sub>dc</sub>	3.79Ω
F <sub>s</sub>	74.1Hz
M <sub>ms</sub>	19.7g
C <sub>ms</sub>	0.234mm/N
V <sub>as</sub>	16.05l
Q <sub>ts</sub>	1.06
Q <sub>es</sub>	1.14
Q <sub>ms</sub>	8.17
B <sub>xl</sub>	5.5N/A
S <sub>d</sub>	220cm <sup>2</sup>
SPL	89dB
X <sub>max</sub>	3mm

## MECHANICAL DRAWING

Dimensions in mm



FOCAL® INSIDE

ORCA DESIGN & MFG. CORP | CAMARILLO, CA | ORCADESIGN.COM | FOCAL AMERICA | FOCAL-AMERICA.COM

FOCAL®  
LISTEN BEYOND