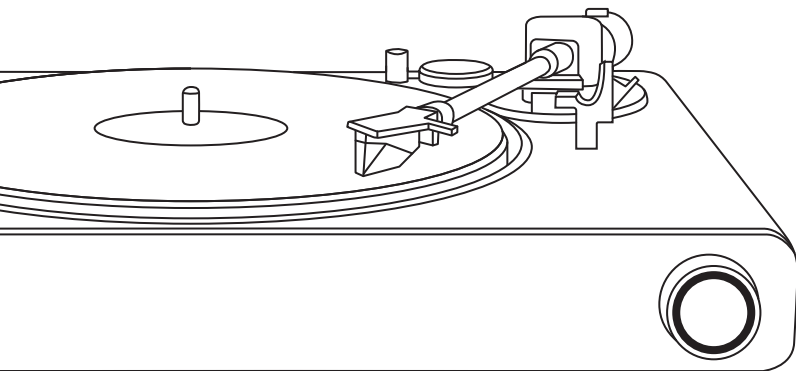


VICTROLA



VICTROLA STREAM™

INSTRUCTION MANUAL
VPT-2000 | VPT-3000 | VPT-4000

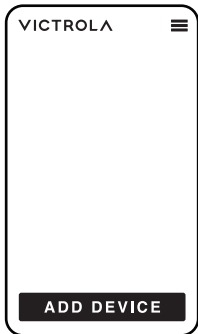
GETTING STARTED

1



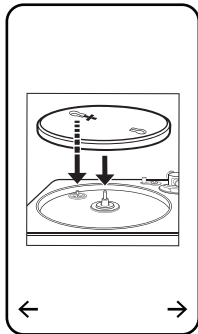
**DOWNLOAD THE
VICTROLA STREAM
APP**

2



**SELECT
ADD DEVICE
ON APP**

3

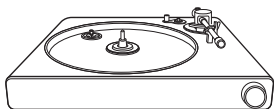


**FOLLOW STEPS
FOR ASSEMBLY
AND SETUP**

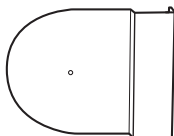
AFTER CONNECTING TO THE NETWORK, THE TURNTABLE CAN BE CONTROLLED FROM THE VICTROLA STREAM APP OR DIRECTLY FROM A WEB BROWSER USING THE TURNTABLE'S IP ADDRESS.

USING THE TURNTABLE WITHOUT AN INTERNET CONNECTION LIMITS THE TURNTABLE TO WIRED RCA OUTPUT ONLY. TO VIEW THE ASSEMBLY AND SETUP GUIDE VISIT STREAM.VICTROLA.COM/GUIDE.

IN THE BOX



TURNTABLE



DUST COVER



POWER CORD(S)



**45 RPM
ADAPTOR**



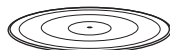
**COUNTER
WEIGHT**



**REMOVABLE
HEADSHELL**



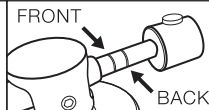
PLATTER


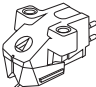



**SILICONE
SLIPMAT**

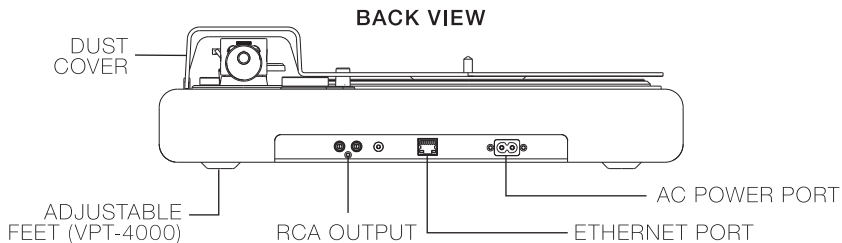
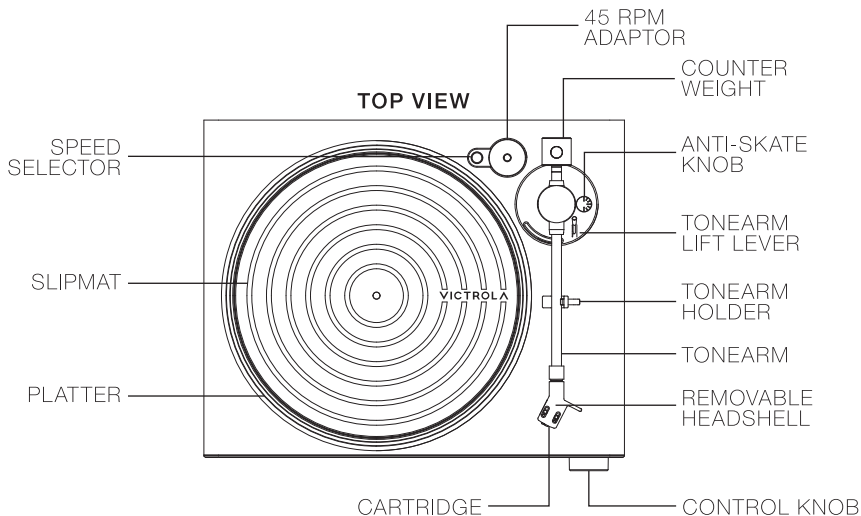
CARTRIDGE DOWNFORCE GUIDE

ALIGN THE FRONT OF THE COUNTERWEIGHT TO THE INDICATED COUNTERWEIGHT ALIGNMENT LINE



CARTRIDGE		RECOMMENDED DOWNFORCE	MODEL NUMBER	COUNTERWEIGHT ALIGNMENT
	ORTOFON 2M SERIES	1.6-2.0g	VPT-2000	REQUIRES DOWNFORCE SCALE
			VPT-3000/4000 (DEFAULT)	BACK LINE
	AUDIO TECHNICA AT-VM95 SERIES	1.8-2.2g	VPT-2000 (DEFAULT)	BACK LINE
			VPT-3000/4000	FRONT LINE
	ORTOFON OM SERIES	1.5-2.0g	VPT-2000 (DEFAULT)	FRONT LINE
			VPT-3000/4000	REQUIRES DOWNFORCE SCALE

TURNTABLE OVERVIEW



SPECIFICATIONS

GENERAL

POWER REQUIREMENTS	AC 100-240V~50/60HZ, 5W
DIMENSIONS (W X D x H)	16.93" x 13.58" x 4.37" 430MM x 345MM x 110MM
WEIGHT	VPT-2000: 5.50 kgs / 12.13 lbs VPT-3000: 6.0 kgs / 13.2 lbs VPT-4000: 6.65 kgs / 14.66 lbs

TURNTABLE

DRIVE METHOD.....	BELT-DRIVE
MOTOR.....	DC SERVO-CONTROLLED
SPEEDS	33-1/3 RPM & 45 RPM
EFFECTIVE ARM LENGTH.....	225MM
OVERHANG	18.5MM
TRACKING ERROR<2 DEGREES
CARTRIDGE	AT-VM95E (VPT-2000) ORTOFON OM 5E (VPT-2000) ORTOFON 2M RED (VPT-3000) ORTOFON 2M BLUE (VPT-4000)

USER GUIDE

STREAM.VICTROLA.COM/GUIDE

CUSTOMER SUPPORT

STREAM.VICTROLA.COM/SUPPORT

1(877)-553-6079

victrolastream@victrola.com

WARNINGS


Important Safety Instruction

1. Read these instructions – All the safety and operating instructions should be read before this product is operated.
2. Keep these instructions – The safety and operating instructions should be retained for future reference.
3. Heed all warnings – All warnings on the appliance and in the operating instructions should be adhered to.
4. Follow all instructions – All operating and use instructions should be followed.
5. Do not use this apparatus near water – The appliance should not be used near water or moisture – for example, in a wet basement or near a swimming pool, and the like.
6. Clean only with dry cloth.
7. Do not block any ventilation openings. Install in accordance with the manufacture's instructions.
8. Do not install near any heat sources such as radiators, heat registers, stoves, or other apparatus (including amplifiers) that produce heat.
9. Protect the power cord from being walked on or pinched particularly at the plugs, convenience receptacles, and at the point where they exit from the apparatus.
10. Only use attachments/accessories specified by the manufacturer.
11. Use only with the cart, stand, tripod, bracket, or table specified by the manufacturer, or sold with the apparatus. When a cart is used, use caution when moving the cart/apparatus combination to avoid injury from tip-over.
12. Unplug the apparatus during lightning storms or when unused for long periods of time.
13. Refer all servicing to qualified personnel. Servicing is required when the apparatus has been damaged in any way, such as power supply cord or plug is damaged, liquid has been spilled or objects have fallen into the apparatus has been exposed to rain or moisture, does not operate normally, or has been dropped.



CAUTION/ATTENTION:
RISK OF ELECTRIC SHOCK. DO NOT
OPEN. / ATTENTION RISQUE DE
CHOC ÉLECTRIQUE. NE PAS OUVRIR



14. This lightning flash with arrowhead symbol within an equilateral triangle is intended to alert the user to the presence of non-insulated “dangerous voltage” within the product’s enclosure that may be of sufficient magnitude to constitute a risk of electric shock.
 - a. Warning: To reduce the risk of electric shock, do not remove cover (or back) as there are no user-serviceable parts inside. Refer servicing to qualified personnel.
 - b. The exclamation point within an equilateral triangle is intended to alert the user to the presence of important operating and maintenance instructions in the literature accompanying the appliance.
15.  This equipment is a Class II or double insulated electrical appliance. It has been designed in such a way that it does not require a safety connection to electrical earth.
16. The mains plug is used as disconnect device, the disconnect device shall remain readily operable.
17. **WARNING:** To reduce the risk of fire or electric shock, do not expose this apparatus to rain or moisture. The apparatus shall not be exposed to dripping or splashing and that no objects filled with liquids, such as vases, shall not be placed on apparatus.
18. The use of the equipment in moderate climate.

19. **WARNING:** Please refer the information on exterior bottom/back enclosure for electrical and safety information before installing or operating the apparatus.
20. The ventilation should not be impeded by covering the ventilation openings with items such as newspaper, table-cloths, curtains etc.
21. No naked flame sources, such as lighted candles, should be placed on the apparatus.
22. Do not install this equipment in a confined space such as a book case or similar unit.

SAFETY INFO

Safety Information

1. In order to shut off power to this product completely, unplug the power cord from the wall outlet. Be sure to unplug the unit if you do not intend to use it for an extended period of time, such as during a vacation.
2. Use of controls, adjustments and performance of procedures other than those specified herein may result in hazardous radiation exposure.
3. To prevent electric shock, match wide blade of plug to wide slot, fully insert.
4. If this product is experience problems during operation, contact qualified service centers, and do not use the product in defective states.

Before Use

1. Choose unit installation location carefully. Avoid placing it in direct sunlight or close to a source of heat. Also avoid locations subject to vibrations and excessive dust, cold or moisture. Keep away from sources that hum, such as transformers or motors.
2. Do not open the cabinet as this may result in damage to the circuitry or electrical shock. If a foreign object should get into the set, contact Customer Service.
3. Be sure not to handle record with dirty fingers. Never play a record that has a crack on the surface.
4. When removing the power plug from the wall outlet, always pull directly on the plug, never pull the cord.
5. To protect the stylus, don't forget to put on the white protective needle cover after use.
6. Do not attempt to clean the unit with chemical solvents as this might damage the finish. Use a clean, dry cloth.
7. In order to shut off the power to this product completely, unplug the power cord from the wall outlet. Be sure to unplug the unit if you do not intend to use it for an extended period of time, such as a vacation.
8. Keep this manual in a safe place for future reference.

FCC & IC WARNINGS

FCC STATEMENTS

Caution: the user is cautioned that charges or modifications not expressly approved by the party responsible for compliance could void the user's authority to operate the equipment.

This device complies with part 15 of the FCC rules and Innovation, Science and Economic Development Canada's license-exempt RSS standard(s). Operation is subject to the following

two conditions:

- (1) This device may not cause harmful interference, and
- (2) This device must accept any interference received, including interference that may cause undesired operation.

Le présent appareil est conforme aux CNR d'Innovation, Sciences et Développement économique Canada applicables aux appareils radio exempts de licence. L'exploitation est autorisée aux deux conditions suivantes:

- (1) l'appareil ne doit pas produire de brouillage, et
- (2) L'utilisateur de l'appareil doit accepter tout brouillage radioélectrique subi, même si le brouillage est susceptible d'en compromettre le fonctionnement.

NOTE:

This equipment has been tested and found to comply with the limits for a Class B digital device, pursuant to Part 15 of the FCC Rules. These limits are designed to provide reasonable protection against harmful interference to radio communications. However, there is no guarantee that interference will not occur in a particular installation.

If this equipment does cause harmful interference to radio or television reception, which can be determined by turning the equipment off and on, the user is encouraged to try to correct the interference by one of more of the following measures:

- Reorient or relocate the receiving antenna.
- Increase the separation between the equipment and receiver.
- Connect the equipment into an outlet on a circuit different from that to which the receiver is connected.
- Consult the dealer or an experienced radio/TV technician for help.

FCC & IC Radiation Exposure Statement:

This equipment complies with FCC and Canada radiation exposure limits set forth for an uncontrolled environment. This device complies with RSS247 of Industry Canada. This equipment should be installed and operated with a minimum distance of 20cm between the radiator and your body. This transmitter must not be co-located or operating in conjunction with any other antenna or transmitter.

Déclaration d'IC sur l'exposition aux radiations:

Cet équipement est conforme aux limites d'exposition aux radiations définies par le Canada pour des environnements non contrôlés. Cet appareil se conforme à RSS247 de Canada d'Industrie. Cet équipement doit être installé et utilisé à une distance minimum de 20cm entre l'antenne et votre corps. Cet émetteur ne doit pas être installé au même endroit ni utilisé avec une autre antenne ou un autre émetteur.

Please note: As a result of continual improvements, the design and specifications of this product are subject to change without notice.

Bluetooth is a registered trademark of Bluetooth SIG, Inc.

Other trademarks and trade names are those of their respective owners.

Made in China.

This product has been manufactured and sold under the responsibility of Innovative Technology Electronics, LLC. Victrola is a trademark used under license by Innovative Technology Electronics, LLC. – further information at victrola-brand.com. All other products, services, companies, trademarks, trade or product names and logos referenced herein are the property of their respective owners.

LIMITED WARRANTY

Victrola is a registered trademark of Innovative Technology Electronics, LLC.

United States

For detailed information about our warranty policy and limitations visit victrola.com/pages/warranty



Outside the U.S., Canada, and US Territories

The Warranty on this product shall comply with applicable law when sold to a consumer outside of the United States, Canada, and US Territories. To obtain any applicable warranty service, please contact the dealer from which you purchased the product, or the distributor that supplied the product, with your original receipt.

Canada and US Territories

The Warranty on this product shall comply with applicable law when sold to a consumer in Canada or a US Territory. To obtain any applicable warranty service, please contact the dealer from which you purchased the product, or the distributor that supplied the product, with your original receipt.

If assistance from the dealer from which it was purchased is not possible, you may contact our customer service for warranty assistance at victrola.com/contact.