

# 36" Panel Ready Built-In Bottom Freezer Refrigerator JB36NFXLE (Right Swing)



## Features

### Daring Obsidian Interior

Inspired by volcanic glass, this industry-exclusive dark finish draws attention with high-contrast style. Fine foods and fresh produce emerge like vibrant art, with LED lighting showcasing your ingredients against the alluring interior.

### Multi-Point Cinematic Lighting

Illuminate food items against the Daring Obsidian Interior. Breathtaking Multi-Point Cinematic Lighting ramps up in intensity as you open the door, acting as a lightbox to increase visibility and highlight your ingredients.

### Fully Flush, Fully Integrated Design

This integrated built-in refrigerator fits beautifully into any decor, blending into custom cabinetry with a truly seamless appearance, reflecting your appreciation for the fine details of design. Must be installed in a 25" deep cabinet to achieve the fully flush look.

### Precision Temperature Management™ System

This sensor-controlled system manages temperatures in the refrigerator and freezer, helping to keep your ingredients at their ideal preservation temperatures. The smoothly-running refrigerator avoids abrupt start and stop cycles to help maintain tranquility in your space.

### Glass Shelving

Showcase your ingredients with full-width glass and metal shelves. The crystal-clear glass allows light to filter through the substantial shelves, enhancing the visibility of everything inside the refrigerator.



## Product Details

Dimensions	35 3/4"W x 83 1/8"H x 24 3/4"D	
Cutout Dimensions	Mins: 36"W x 84"H x 24"D Max: 36"W x 84"H x 25"D	
Finish	Panel Ready	
Capacity	Refrigerator	15.30 Cu Ft
	Freezer	5.56 Cu Ft
	Total	20.9 Cu Ft
Ice & Water	Filtered Icemaker	

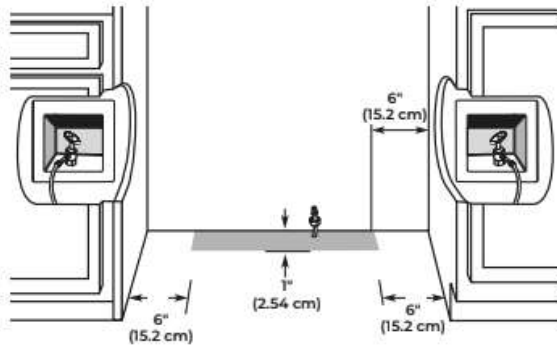
## Product Details (continued)

Shelves	Refrigerator - 4 Adjustable Half Width
Drawers	Refrigerator - 1 Full Width, 2 Half Width Freezer - 1 Full Width, 2 Half Width
Door Bins	Refrigerator - 4 Adjustable Half Width, 1 Fixed Gallon Full Width
Energy Rating	599 kWh

# 36" Panel Ready Built-In Bottom Freezer Refrigerator JB36NXFXLE (Left Swing)



## Water & Electrical



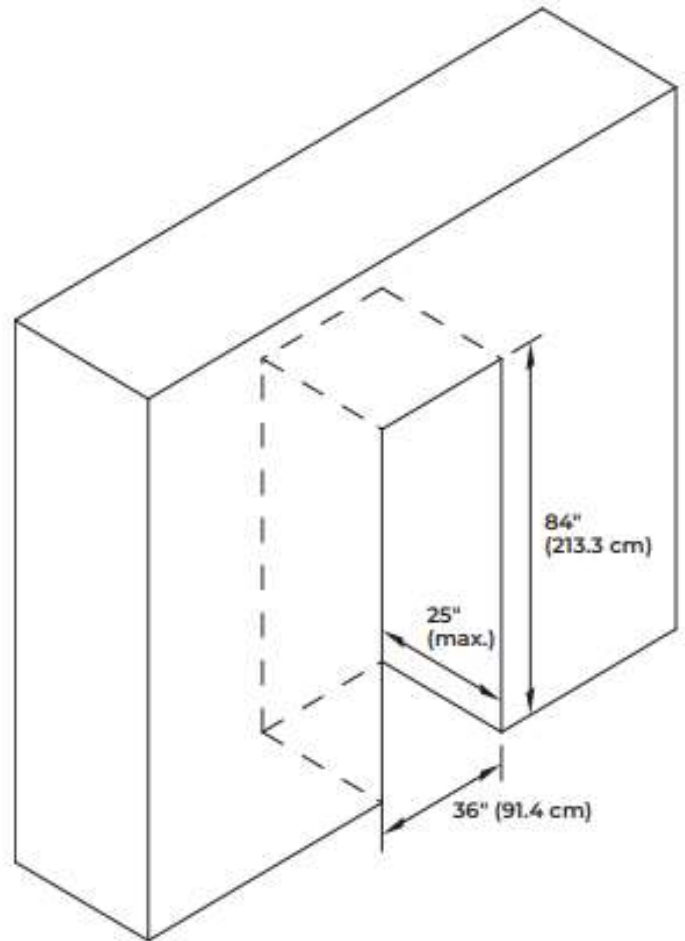
### WATER PRESSURE

A cold water supply with water pressure between 30 psi and 120 psi (207 kPa and 827 kPa) is required to operate the water dispenser and ice maker. If you have questions about your water pressure, call a licensed, qualified plumber.

### RECOMMENDED GROUNDING METHOD

A 115 V, 60 Hz, AC only, 15 A or 20 A fused, grounded electrical supply is required. It is recommended that a separate circuit serving only your refrigerator be provided. Use an outlet that cannot be turned off by a switch. Do not use an extension cord.

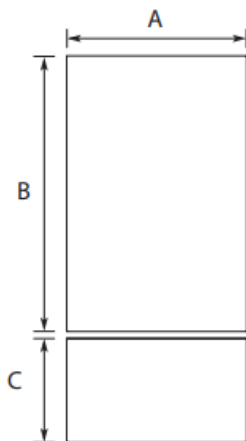
## Cutout Dimensions



## Custom Panel Dimensions

Maximum allowable weights:

- Door panel - 60 lbs (27.2 kg)
- Drawer panel - 25 lbs (11.3 kg)



Legend	Model	Dimension
A	36"	35 <sup>3</sup> / <sub>4</sub> " (90.81 cm)
B	36"	59 <sup>1</sup> / <sub>8</sub> " (150.2 cm)
C	36"	20 <sup>1</sup> / <sub>2</sub> " (52.07 cm)

## Accessories

Water Filter	EDR3RXD1
Handle Kits <i>Only for custom panels</i>	RISE™ W11231245 NOIR™ W11194767
Panel Kits <i>Include handles</i>	RISE™ JBBFR36NHL NOIR™ JBBFR36NHM
Armoire Kit	W10663562

**Resources** [Owner's Manual](#) [Custom Panel Guide](#) [Install Instructions](#) [Warranty](#)