

48" RISE™ Built-In Side-By-Side Refrigerator

JBSS48E22L



Features

Daring Obsidian Interior

Inspired by volcanic glass, this industry-exclusive dark finish draws attention with high-contrast style. Fine foods and fresh produce emerge like vibrant art, with LED lighting showcasing your ingredients against the alluring interior.

Multi-Point Cinematic Lighting

Illuminate food items against the Daring Obsidian Interior. Breathtaking Multi-Point Cinematic Lighting ramps up in intensity as you open the door to increase visibility and highlight your ingredients.

External Ice and Water Dispenser

Fill your glass with fresh ice and water from a dispenser conveniently located in the door.

Precision Temperature Management™ System

This sensor-controlled system manages temperatures in the refrigerator and freezer, helping to keep your ingredients at their ideal preservation temperatures. The smooth-running refrigerator avoids abrupt start and stop cycles to maintain quiet tranquility in your space.

Quietest Luxury Built-In Side-By-Side Refrigerator

Running at 39 dBA, this refrigerator line-up has the quietest luxury built-in side-by-side refrigerators.

*Models JBSS42E22L, JBSS48E22L, JBSFS42NMX, JBSFS48NMX



Product Details

Dimensions	48 3/8"W x 83 3/8"H x 25"D	
Cutout Dimensions (minimums, max see Pg 2.)	Min: 47 1/2"W x 83 1/2"H x 24"D Max: 47 1/2"W x 84 1/2"H x 24"D	
Finish	Stainless Steel	
Capacity	Refrigerator	19.1 Cu Ft
	Freezer	10.3 Cu Ft
	Total	29.4 Cu Ft
Ice & Water	Filtered External Ice & Water Dispenser	

Product Details (continued)

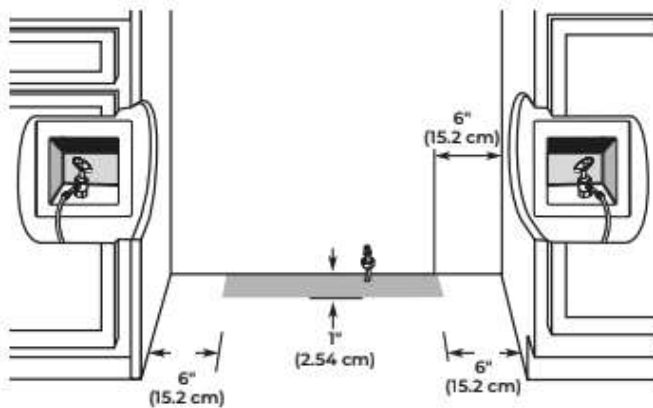
Shelves	Refrigerator - 4 adjustable, 1 fixed Freezer - 6 adjustable	
Drawers	Refrigerator - 3 Full Width Freezer - 2 Full Width	
Door Bins	Refrigerator - 3 Adjustable Full Width, 1 Gallon Full Width Freezer - 3 Adjustable Full Width	
Energy Rating	804 kWh	

48" RISE™ Built-In Side-By-Side Refrigerator

JBSS48E22L



Water & Electrical



WATER PRESSURE

A cold water supply with water pressure between 30 psi and 120 psi (207 kPa and 827 kPa) is required to operate the water dispenser and ice maker. If you have questions about your water pressure, call a licensed, qualified plumber.

NOTE: If the water pressure is less than what is required, the flow of water from the water dispenser could decrease or ice cubes could be hollow or irregular shaped. If you have questions about your water pressure, call a licensed, qualified plumber.

RECOMMENDED GROUNDING METHOD

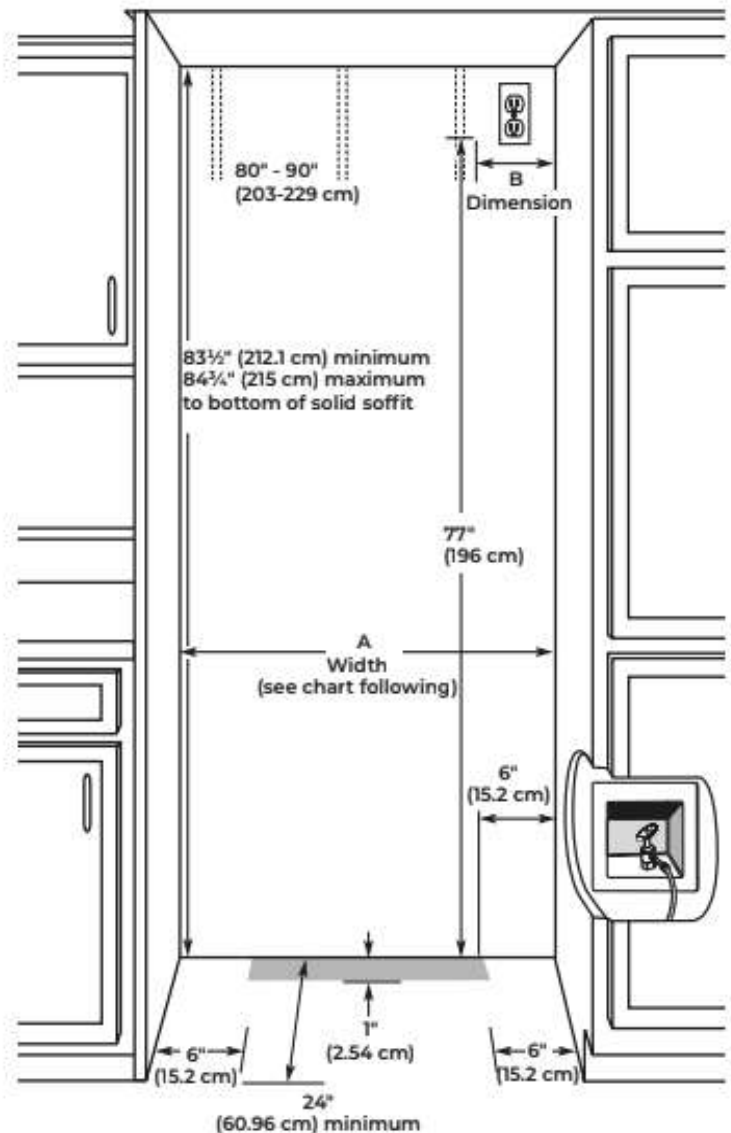
A 115 V, 60 Hz, AC only, 15 A or 20 A fused, grounded electrical supply is required. It is recommended that a separate circuit serving only your refrigerator be provided. Use an outlet that cannot be turned off by a switch. Do not use an extension cord.

Accessories

Water Filter

EDR3RXD1

Cutout Dimensions



Model	Width A (as shown above)	Dimension B (as shown above)
48 - Dispensing	47 1/2" to 47 3/4" (120.7 cm to 121.3 cm)	13 1/2" (34.3 cm)