

JennAir® Oblivion 30" Induction Flex Cooktop

JIC4730HB



Features

Emotive Controls

Striking, intuitive and inviting controls with clear, white LEDs unleash performance at your touch.

Oblivion Glass Design

Sleek black glass that seizes its surroundings. Lose yourself in the depths of infinite possibilities that dare you to explore your limits.

Versatile Installation

Install without limits. This JennAir® cooktop can be installed true flush or semi-flush at 3mm above any level countertop, including an island or peninsula.

Magnetic Induction

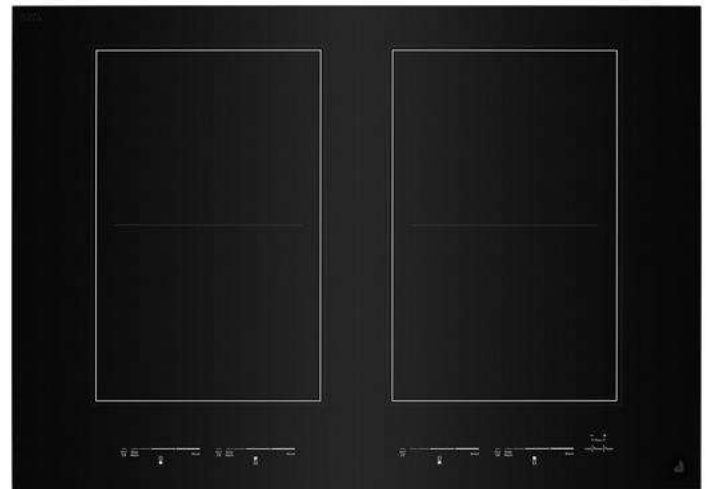
Magnetism with a pulse. A surface that heats only the induction cookware for fierce, flexible power.

Bridge Function

Invoke the heat. Let it course through your cookware with two induction elements that fuse into one, a grand altar for cookware like griddles or braisers.

Pan Detection

Be guided by intuition with a sensor-driven element that only activates upon contact with the right-sized cookware.



Product Details

Dimensions	30" W x 3 1/2" H x 21" D	
Cutout Dimensions	29 3/8" W x 30 1/8" D (flush)	
Fuel Type	Magnetic Induction	
Elements/Burners	4	
Cooktop Specs	L Front	8", 3700W w/ Boost
	L Rear	8", 3700W w/ Boost
	R Front	8", 3700W w/ Boost
	R Rear	8", 3700W w/ Boost

Product Details (cont.)

Automatic Pan Detection	Yes
Digital Display	Yes
Hot Surface Indicator Light	Yes
Installs over Built-In Oven	Yes
Power Boost	Yes
True Flush Installation	Yes

JennAir® Oblivion 30" Induction Flex Cooktop

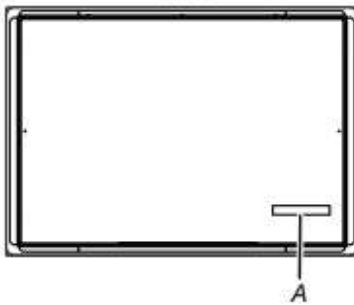
JIC4730HB



Electrical

- A 3-wire or 4-wire, single phase, 240 V, 60 Hz, AC only electrical supply is required on a separate, 40 A for 24" (61.0 cm) and 30" (76.2 cm) models; 50 A for 36" (91.4 cm) model, 2-pole breaker, 240/208 V, 50/60 Hz AC supply circuit fused on both sides of the line. The model/serial/rating plate is located on the metal cabinet underneath the cooktop. See the following illustration.

NOTE: A separate 40 A [24" (61.0 cm) and 30" (76.2 cm) models] or 50 A [36" (91.4 cm) model] circuit fused on both sides of the line can be used for 40 A or 50 A, 2-pole breaker, 240/208 V, 50/60 Hz AC-supply.



A. Model/serial/rating plate

- The cooktop is rated 240/208 V.

Cookware Guidance

Only ferromagnetic pans can be used for induction cooking.

Ferromagnetic materials include:

- Enameled steel
- Cast iron
- Stainless steel designed for induction cooking

Non-ferromagnetic materials include:

These types of pans will not work with induction cooking:

- Stainless steel
- Glass
- Ceramic
- Copper or aluminum pans

To find out whether your pans can be used with an induction cooktop, flip the pan over, hold a magnet to the bottom of the pan, and see whether it sticks. If the magnet sticks to the bottom of the pan, the pan is ferromagnetic and can be used for induction cooking.

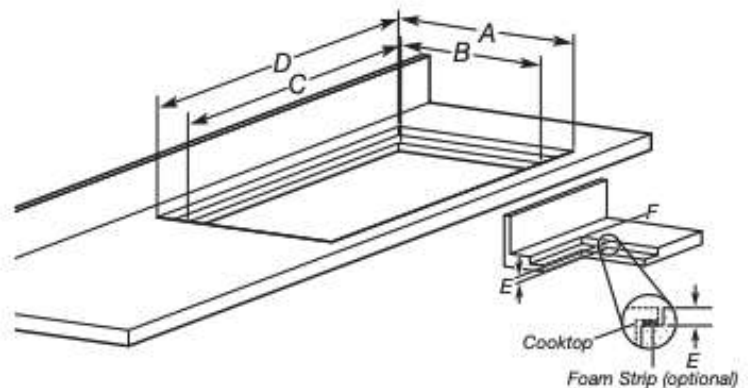
Cutout Dimensions (Flush)

All cooktops can be mounted with a frameless standard installation sitting on top of the countertop surface or flush with the top of the countertop.

If the cooktop is to be mounted flush with the countertop, a recessed area surrounding the cooktop cutout must be provided with the following dimensions:

1. 11/64" (4.3 mm) recessed depth is needed for the SS Frame Model (see dimension E).
2. 7/32" (5.6 mm) recessed depth is needed for the Glass Model without a frame.

NOTE: This option is not recommended for countertops with a molded backsplash. Do not silicone seal in place.



- A. Recessed area length 21³/₁₆" (53.8 cm)
- B. Cutout length 20³/₁₆" (51.8 cm)
- C. See the "Flush Install Dimension" table.
- D. See the "Flush Install Dimension" table.
- E. Recessed area depth 11/64" (4.3 mm)
- F. Recessed area radius 5/64" (2.0 mm) maximum

Flush Install Dimension Table

Units	Recessed Area Width (D)	Cutout Width (C)
30" (76.2 cm) cooktop	30 ¹ / ₈ " (76.5 cm)	29 ³ / ₈ " (74.6 cm)