

JennAir® Oblivion Glass 30" Induction Cooktop

JIC4530KB



Features

Assisted Cooking

Precisely selects an optimal power level to bring water to a boil, simmer delicate sauces or melt chocolate.

Emotive Controls

Striking, intuitive and inviting controls with clear, white LEDs unleash performance at your touch.

Oblivion Glass Surface

Sleek black glass that seizes its surroundings. Lose yourself in the depths of infinite possibilities that dare you to explore your limits.

Versatile Installation

Install without limits. This JennAir® cooktop can be installed true flush or semi-flush at 3mm above any level countertop, including an island or peninsula.

Magnetic Induction

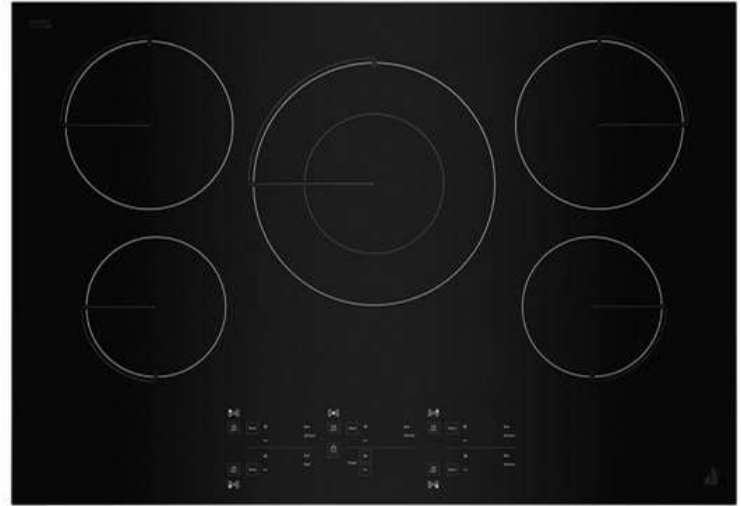
Magnetism with a pulse. A surface that heats only the induction cookware for fierce, flexible power.

Install Over Single Wall Oven

Versatility and functionality converge with the ability to install in a countertop above select JennAir® single wall ovens.

Pan Detection

Each sensor-driven element activates upon contact with the right-sized induction cookware, and automatically switches off when cookware is removed.



Product Details

Dimensions	30 13/16" W x 3 3/4" H x 21 5/16" D	
Cutout Dimensions	29 9/16" W x 20 3/4" D	
Fuel Type	Magnetic Induction	
Elements/Burners	5	
Cooktop Specs	L Front	6", 1800W w/ Boost
	L Rear	7", 2150W w/ Boost
	Center	11", 4000W w/ Boost
	R Front	6", 1800W w/ Boost
	R Rear	7", 2150W w/ Boost

Product Details (cont.)

Automatic Pan Detection	Yes
Digital Display	Yes
Hot Surface Indicator Light	Yes
Installs over Built-In Oven	Yes
Power Boost	Yes
True Flush Installation	Yes

JennAir® Oblivion Glass 30" Induction Cooktop JIC4530KB

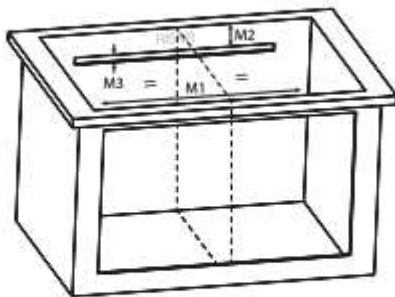


Electrical

- A 4-wire or 3-wire, single phase, 240 V, 60 Hz, AC only electrical supply is required on a separate, 50 A circuit (36" models), 40 A circuit (30" models) or 30 A circuit (24" models) fused on both sides of the line.
- The cooktop should be connected directly to the junction box through flexible, armored or nonmetallic sheathed, copper cable. The flexible, armored cable extending from the fuse box or circuit breaker box should be connected directly to the junction box.
- Locate the junction box to allow as much slack as possible between the junction box and the cooktop so that the cooktop can be moved if servicing becomes necessary in the future.
- Do not cut the conduit. The length of conduit provided is for serviceability of the cooktop.
- A UL listed or CSA approved conduit connector must be provided at each end of the power supply cable (at the cooktop and at the junction box). A listed conduit connector is already provided at the cooktop.
- If the house has aluminum wiring, follow the procedure below:
Connect the aluminum wiring using special connectors and/or tools designed and UL listed for joining copper to aluminum.

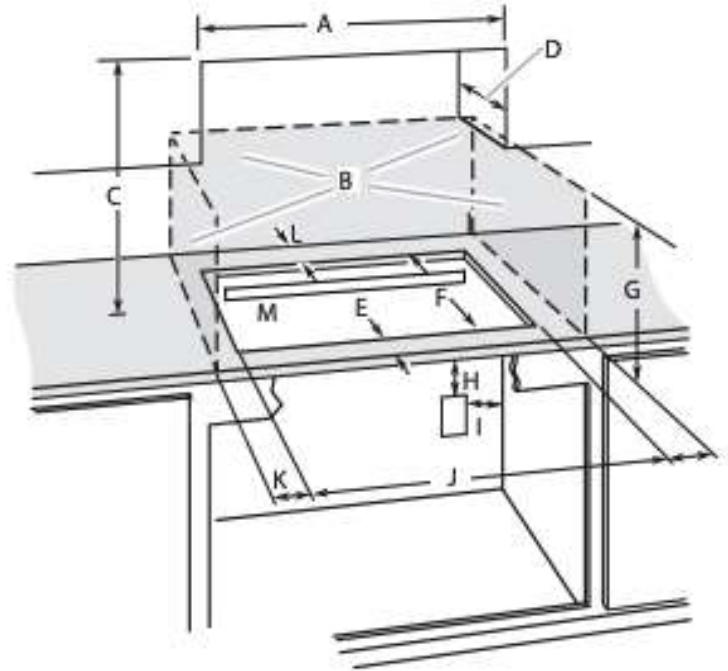
Ventilation

M. IMPORTANT: For proper ventilation, provide a vent cut out in the back of the cabinet per the following illustration. For standard and flush installation make sure the cut out and its cut out for ventilation have their center line aligned.



Model	M1	M2	M2 (Flush)	M3
24"	19" (48.2 cm)	2 ⁹ / ₁₆ " (6.5 cm)	2 ¹³ / ₁₆ " (7.1 cm)	13/16" (2.1 cm)
30" and 36"	26 ³ / ₄ " (68 cm)	2 ⁹ / ₁₆ " (6.5 cm)	2 ¹³ / ₁₆ " (7.1 cm)	13/16" (2.1 cm)

Cutout Dimensions



- A. 29½" (75.0 cm) on 30" models, 33" (84.0 cm) on 36" models
- B. Combustible area above countertop (shown by dashed box above)
- C. 30" minimum clearance between top of cooktop platform and bottom of uncovered wood or metal cabinet (24" [65 cm] minimum clearance if bottom of wood or metal cabinet is covered by not less than 1/4" [6.4 mm] flame retardant millboard covered with not less than No. 28 MSG sheet steel, 0.015" [0.4 mm] stainless steel, or 0.024" [0.6 mm] aluminum or 0.020" [0.5 mm] copper)
- D. 13" (33.0 cm) recommended upper cabinet depth
- E. 2" (5.1 cm)
- F. For details refer to Table 1.
- G. 18" (45.7 cm) minimum clearance from upper cabinet to countertop within minimum horizontal clearances to cooktop
- H. Junction box or outlet; 12" (30.5 cm) minimum from bottom of countertop
- I. Junction box or outlet; 10" (25.4 cm) from right-hand side of cabinet
- J. For details refer to Table 1.
- K. 1" (2.5 cm) minimum distance to nearest left and right side combustible surface above cooktop
- L. 1" (2.5 cm) minimum clearance between back wall and countertop

Table 1

Model	CUT OUT	
	F	J
24"	20 ³ / ₄ " (52.7 cm)	21 ⁷ / ₈ " (55.6 cm)
30"	20 ³ / ₄ " (52.7 cm)	29 ⁹ / ₁₆ " (75.1 cm)
36"	20 ⁵ / ₄ " (52.7 cm)	35 ⁹ / ₁₆ " (90.3 cm)