

30" 1.1 Cu Ft Oven Hood Combination

JMHF730RBL



Features

Fully Flush & Integrated Design

Effortlessly integrate with seamless design. This flush to cabinet oven hood combination blends in for a clean, finished look when installed in a standard cabinet depth of 12 3/4".

Air Fry Mode with Basket

Achieve crispy, yet juicy, results on your favorites from french fries to fresh vegetables. Use Air Fry to circulate hot air around the air fry basket to crisp food using little to no additional oil.

Smart Microwave Oven

Skillfully control your microwave—whether prepping in the kitchen or soaking in your clawfoot tub. The JennAir® app empowers you to remotely control and monitor the microwave,* and prompts you when it's time to attend to your dish.

*Appliance must be set to remote enable. WiFi & App required. Features subject to change. Details and privacy info at jennair.com/connect. **Amazon Alexa features available in US only. "

CleanRelease® Non-Stick Interior

Help prevent spills from sticking with the CleanRelease® Non-Stick Interior, which lets you easily clean up with the simple wipe of a damp cloth.

Turntable-Free Design

Create space for larger or multiple dishes with a cutting-edge, turntable-free design with a hidden motor that delivers efficient heat circulation.



Product Details

Dimensions	29 7/8" W x 17 7/8" H x 12 1/8" D
Cutout Dimensions	30" W x 18 1/4" H x 12 3/4"
Finish	Black - Design Agnostic
Capacity	1.1 Cu Ft
Lighting	1 Interior, 1 Work Surface Light
Door Release	Touch to Open

Product Details (cont.)

Cooking Power	950 Watts
Convection Power	1,450 Watts
Grill Power	1,500 Watts
Ventilation CFM	400 CFM
Ventilation	Exterior or Recirculating
Connected	Yes

30" 1.1 Cu Ft Oven Hood Combination JMHF730RBL



Electrical

Observe all governing codes and ordinances.

Required:

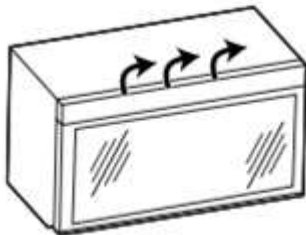
- A 120 V, 60 Hz, AC only, 15 A or 20 A electrical supply with a fuse or circuit breaker.

Recommended:

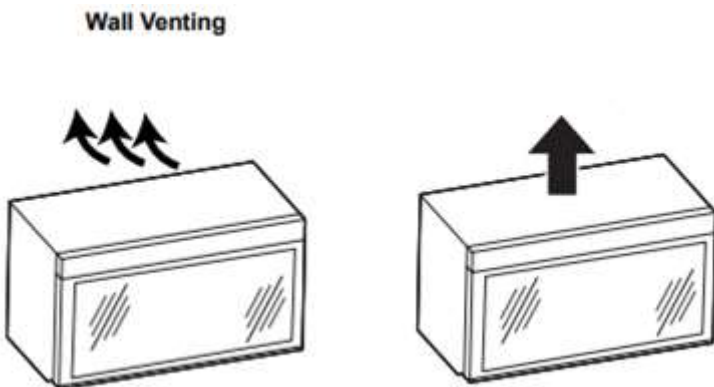
- A time-delay fuse or time-delay circuit breaker.
- A separate circuit serving only this microwave oven.

Installation Types

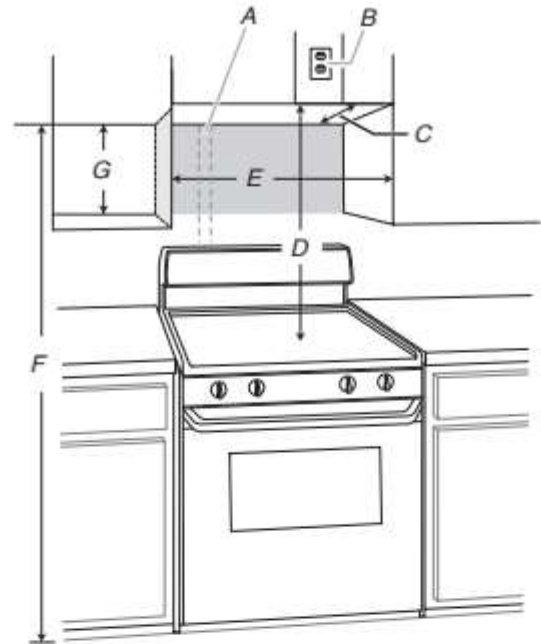
Recirculation (Factory Default Setting)



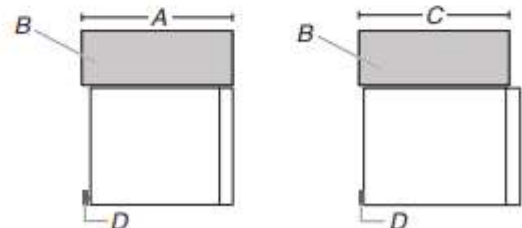
Roof Venting



Cutout Dimensions



- A. 2" x 4" (5.1 cm x 10.2 cm) wall stud
- B. Grounded 3 prong outlet
- C. Upper cabinet depth (with door)***
- D. 36" (91.4 cm) recommended*
30" (76.2 cm) typical**
- E. 30" (76.2 cm) minimum
- F. 72" (182.8 cm) recommended
66" (167.6 cm) minimum
- G. Flat back surface 18 1/4" (46.3 cm) minimum



- A. (Flush) 12 3/4" to 13" (32.3 cm to 33 cm) deep
- B. Cabinet
- C. Less than 12 3/4" (32.3 cm) deep
- D. Mounting plate