

# NOIR™ 24" Undercounter Glass Door Refrigerator

## JUGFR242HM (Right Swing)



### Features

#### Daring Obsidian Interior

Inspired by volcanic glass, this dark finish erupts with reflective, high-contrast style. Let the object of your desire emerge like vibrant art, begging to be consumed.

#### Independent Temperature Zones

Compose ideal climates for choice beverages and tempting bites. Two temperature zones and six curated presets await your command.

#### Stealth Flush Design

Create an unbroken silhouette. Discreet  $\frac{1}{8}$ " reveals envelop every side, without exposed hinges or trim pieces.

#### 4 Temperature Presets

Chilled charcuterie. Liquid libations. Set each temperature zone according to your desires.

#### UV-Resistant Low-E Thermal Glass

Sustain what satiates. Double-paned glass helps filter out ultraviolet light and rejects temperature swings to reserve the finest tastes for your discerning palate.

#### Emotive Controls

Hold sway over every zone. Let your light-guided touch coax out the flavors of beverages, spirits and beyond.

#### Glass Shelves

Gaze through platforms of glass wrapped in unyielding shelf frames.

#### LED Lighting

LED lights instinctively come alive, chasing away shadows to reveal vivid details.

#### Smooth Close Door

Quiet, soft, secure. An articulating hinge discreetly ushers the door open and gently pulls it closed.



### Product Details

Dimensions	23 $\frac{7}{8}$ "W x 34 $\frac{1}{8}$ "H x 23 $\frac{15}{16}$ "D
Cutout Dimensions	Min: 24"W x 34 $\frac{1}{2}$ "H x 24" D Max: 24"W x 35"H x 24" D
Capacity	5.2 Cu Ft
Temperature Zones	2 Independent Zones
Temp Presets	4
Shelves	3 Glass Shelves
Energy Rating	TBD

# NOIR™ 24" Undercounter Glass Door Refrigerator

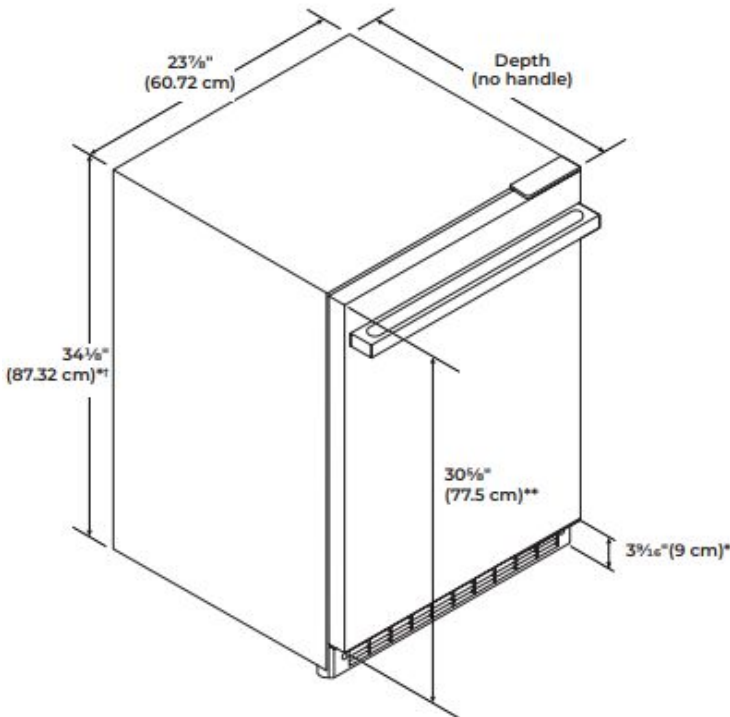
# JUGFR242HM (Right Swing)



## Electrical

A 115 V, 60 Hz, AC only, 15 A or 20 A fused, grounded electrical supply is required. It is recommended that a separate circuit serving only your beverage center be provided. Use an outlet that cannot be turned off by a switch. Do not use an extension cord.

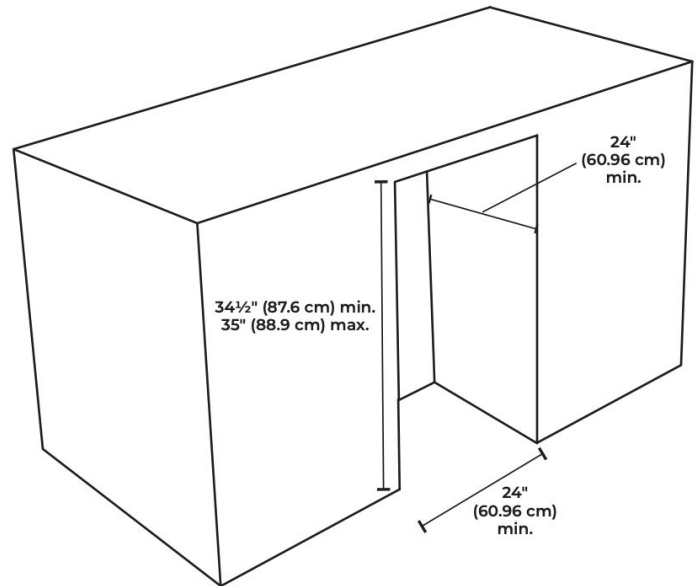
## Product Dimensions



VARIANT	DEPTH (NO HANDLE)
RISE™ Model	23 <sup>13</sup> / <sub>16</sub> " (60.4 cm)

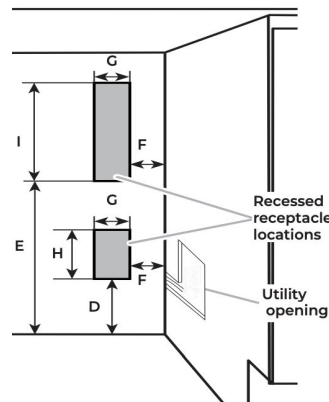
## Cutout Dimensions

- Height dimensions are shown with the leveling legs extended to the minimum height.  
**NOTE:** When leveling legs are fully extended, add 5/8" (15 mm) to the height dimensions. See "Product Dimensions."
- If the floor of the opening is not level with the kitchen floor, shim the opening to make it level with the kitchen floor.



For flush installation, the power outlet can be installed in adjacent cabinetry with a cutout on the power cord side for routing of the power cord.

The power outlet can also be recessed on the back wall behind the unit as per recommended receptacle locations in the above illustration.



Dimension - D	12 <sup>1</sup> / <sub>16</sub> " (30.64 cm)
Dimension - E	21 <sup>3</sup> / <sub>4</sub> " (55.16 cm)
Dimension - F	1 <sup>3</sup> / <sub>4</sub> " (4.44 cm)
Dimension - G	3" (7.55 cm)
Dimension - H	4 <sup>1</sup> / <sub>2</sub> " (11.37 cm)
Dimension - I	9 <sup>3</sup> / <sub>4</sub> " (23.47 cm)