

PAC-MAN BATTLE ROYALE CHOMPIONSHIP

OPERATION MANUAL

The actual product may differ slightly from the illustrations in this manual.

WARNING

- To ensure safe operation of the game machine, be sure to read this Operation Manual before use.
- Keep this Operation Manual in a safe place for quick access whenever needed.

IMPORTANT

Read PRECAUTIONS and INSTALLATION
Sections before operating game

RF Notice

Note: This equipment has been tested and found to comply with the limits for a Class A digital device, pursuant to Part 15 of the FCC Rules. These limits are designed to provide reasonable protection against harmful interference when the equipment is operating in a commercial environment. This equipment uses, and can radiate radio frequency energy and, if not installed and used in accordance with the instruction manual, may cause harmful interference to radio communications. Operation of this equipment in a residential area is likely to cause harmful interference in which case the user will be required to correct the interference at his own expense.

Copyright 2022 Bandai Namco
Amusement America Inc. All rights
reserved

No part of this publication may be reproduced by any mechanical photographic, or electronic process, or in the form of a photographic recording, nor may it be stored in a retrieval system, transmitted, or otherwise copied for public or private use, without permission from Bandai Namco Amusement America Inc.

INTRODUCTION

Thank you for purchasing the “PAC-MAN BATTLE ROYALE CHOMPIONSHIP” game machine (hereinafter referred to as the “machine”).

This operation manual describes:

- How to install, operate, relocate, transport, service, and discard the machine safely and properly
- How to operate the machine correctly and make full use of its features
- How to ensure the safety of players and bystanders

Inquiries regarding this machine and its repair

- For further information about the machine and its repair, contact your distributor.

The software included in the machine is protected by copyright laws. The software may not be copied, modified, distributed publicly, or used for purposes other than the operation of this game machine. Violators of copyright laws may be subject to criminal penalties. Do not use the storage media containing software in any other game machine; doing so may cause that machine to malfunction.

Redistribution and use in source and binary forms, with or without modification, are permitted provided that the following conditions are met:

1. Redistributions of source code must retain the above copyright notice, this list of conditions and the following disclaimer.
2. Redistributions in binary form must reproduce the above copyright notice, this list of conditions and the following disclaimer in the documentation and/or other materials provided with the distribution.
3. The names of its contributors may not be used to endorse or promote products derived from this software without specific prior written permission.

THIS SOFTWARE IS PROVIDED BY THE COPYRIGHT HOLDERS AND CONTRIBUTORS “AS IS” AND ANY EXPRESS OR IMPLIED WARRANTIES, INCLUDING, BUT NOT LIMITED TO, THE IMPLIED WARRANTIES OF MERCHANTABILITY AND FITNESS FOR A PARTICULAR PURPOSE ARE DISCLAIMED. IN NO EVENT SHALL THE COPYRIGHT OWNER OR CONTRIBUTORS BE LIABLE FOR ANY DIRECT, INDIRECT, INCIDENTAL, SPECIAL, EXEMPLARY, OR CONSEQUENTIAL DAMAGES (INCLUDING, BUT NOT LIMITED TO, PROCUREMENT OF SUBSTITUTE GOODS OR SERVICES; LOSS OF USE, DATA, OR PROFITS; OR BUSINESS INTERRUPTION) HOWEVER CAUSED AND ON ANY THEORY OF LIABILITY, WHETHER IN CONTRACT, STRICT LIABILITY, OR TORT (INCLUDING NEGLIGENCE OR OTHERWISE) ARISING IN ANY WAY OUT OF THE USE OF THIS SOFTWARE, EVEN IF ADVISED OF THE POSSIBILITY OF SUCH DAMAGE.

Critical safety precautions

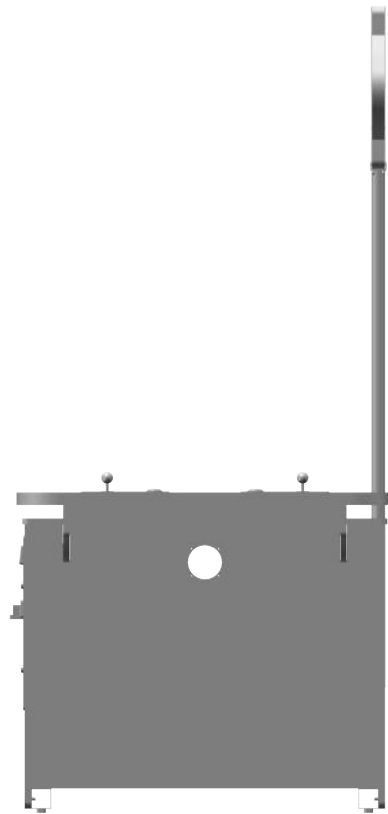
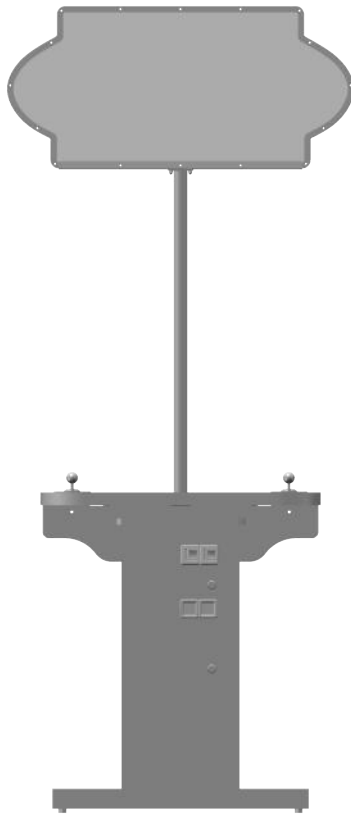
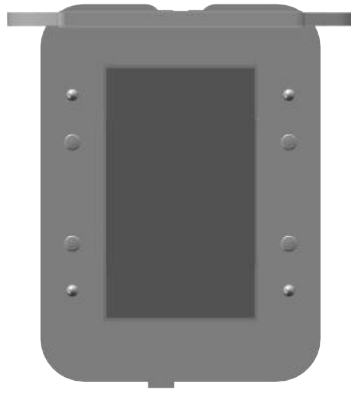
WARNING

- Should any abnormality occur, turn off the power switch immediately to stop operating the machine. Then, unplug the power cord plug from the AC outlet. Operating the machine without correcting abnormalities can result in a fire or accident.
- Some monitor sections remain hot or charged with high voltage even after the power switch is turned off. Do not touch the monitor unnecessarily in order to avoid electric shock and burns.
- Dust accumulated on the power cord plug may cause a fire. Check the power cord plug regularly and remove dust.
- Insert the power cord plug firmly into the AC outlet. Poor contact may cause overheating that can lead to a fire or burns.
- A damaged power cord can cause a fire, electric shock or electrical leakage. Observe the following cautions.
 - Keep the power cord away from heating devices.
 - Do not twist the power cord.
 - Do not bend the power cord forcibly.
 - Do not alter the power cord.
 - Do not bundle the power cord.
 - Do not pull the power cord. (Always unplug by holding the power cord plug, and avoid pulling the power cord.)
 - Do not place anything on the power cord.
 - Do not allow the power cord to be caught under or between the machine, other equipment or the wall.
 - Do not do anything else that might damage the power cord.
- Do not wet the power cord or power cord plug with water. Water can cause an electric shock or electrical leakage.
- Do not touch the power cord plug with a wet hand. Doing so can result in an electric shock.
- The machine's rated power supply voltage and maximum consumption current are 115 V AC, 8 A, respectively. To prevent fire and electric shock, be sure to use interior wiring that conforms to these power supply specifications.
- Operate the machine with a power supply voltage in the range of 104 to 115 V AC.

Operating the machine with a supply voltage outside the specified range may cause a fire or electric shock. To ensure that the machine operates in optimum condition, maintain the power supply at 115 V AC.
- To ensure safe operation of the machine, be sure to conduct the pre-service check and service described in this manual. Failure to conduct the pre-service check or service can result in an accident.
- Use consumables and service parts (including fasteners) specified by our company. To order parts, contact your distributor.
- Do not convert the machine without permission. Do not perform any work that is not described in this operation manual. Unauthorized conversion of the machine may create unforeseen hazards.
- When transferring ownership of the machine, be sure to provide this operation manual with the game machine.

SPECIFICATIONS

- (1) Rated power supply: 120 \pm 10% V AC (60 Hz)
- (2) Maximum power consumption: 190 W
- (3) Maximum current consumption: 1.58 A (120 V AC power supply)
- (4) Dimensions: 35 x 44.5 x 98 in. (890 x 1,130 x 2,490 mm) (W x D x H)



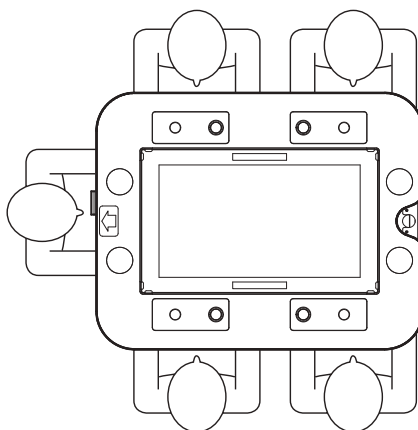
TRANSPORTING THE MACHINE

WARNING

- This machine weighs approximately 286.6 lb. (130 kg).
- When carrying the machine manually, be sure to remove the Signboard assembly from the machine, and raise all the level adjusters all the way. Attempting to carry the machine manually (over stairs, etc.) without removing the Signboard assembly as described above can result in an accident.
- If a corridor is narrow, separate the machine into parts.
- When carrying the machine manually, the following number of people are needed.

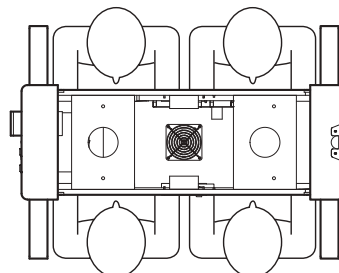
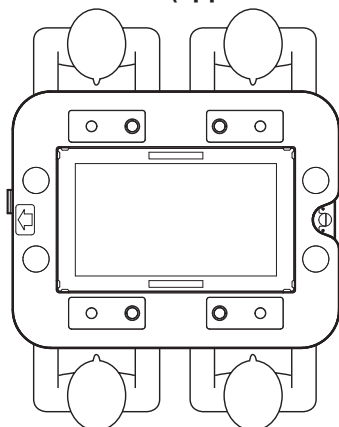
Attempting to carry the machine with fewer people can result in an accident or injury.

- Machine without Signboard assembly:
(approx. 286.6 lb. (130 kg)): 5 people or more



[When divided]

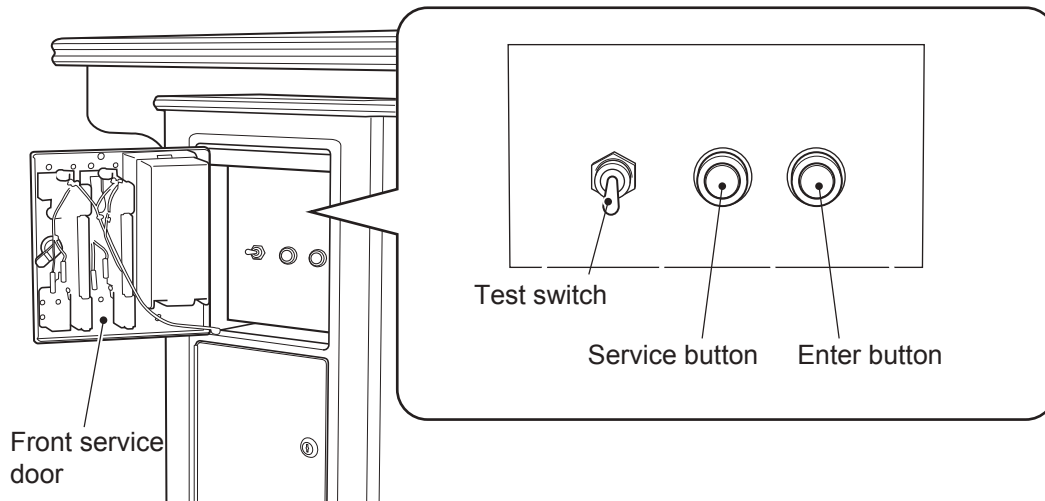
- Middle Box and Top Board assemblies:
(approx. 110.2 lb. (50 kg)): 4 people or more
- Under Box assembly:
(approx. 132.3 lb. (60 kg)): 4 people or more



- Do not drop the machine when lowering it.
- Be sure to transport the machine with great care to avoid damaging it.

Adjustment switches and buttons

Open the front service door to gain access to the adjustment switches and buttons.



Test switch

Set this switch to ON to activate Test mode.

Service button

Press this button to cycle through the various menu options.

Enter button

After selecting an item or setting (a numeric value) using the Select switch, press this button to enter or execute the selection.

MENUS

Description of the menu screen (MENU)

- 1** Unlock the service door and set the Test switch to ON. The Menu screen appears on the monitor.
- 2** Use the following selections to access any of the below menus

Pac-Man™ Battle Royale Championship

Test Menu

Audits

Adjustments

Diagnostics

Clear High Scores

Clear Credits

Ad Images

Factory Reset

Software Update

System Info

Exit

PAC-MAN™ & ©Bandai Namco Entertainment Inc.
©Bandai Namco Amusement America Inc.

Game Adjustments And Coin Options

This screen is used to set the game fee, free play, and other options.

Pac-Man™ Battle Royale Chompionship

Adjustments

Cabinet Type: Deluxe 8-Player

Mobile Player Adjustments

Coinage

Lives to Start: 3

Bonus Life at 10,000

Long High Score Names: On

Attract Mode Sounds: On

Audio Output: On-Board Amplifier

Volume

Monitor Rotation: 0

Set All Adjustments to Defaults

Back

PAC-MAN™ & ©Bandai Namco Entertainment Inc.
©Bandai Namco Amusement America Inc.

Pac-Man™ Battle Royale Chompionship

Coinage

1 Credit to Start

Currency: tokens

Coin 1 Credits: 1

Coin 2 Credits: 4

Coin-up message: "Insert Coin"

Set to Default Pricing

Back

PAC-MAN™ & ©Bandai Namco Entertainment Inc.
©Bandai Namco Amusement America Inc.

Diagnostic Tests

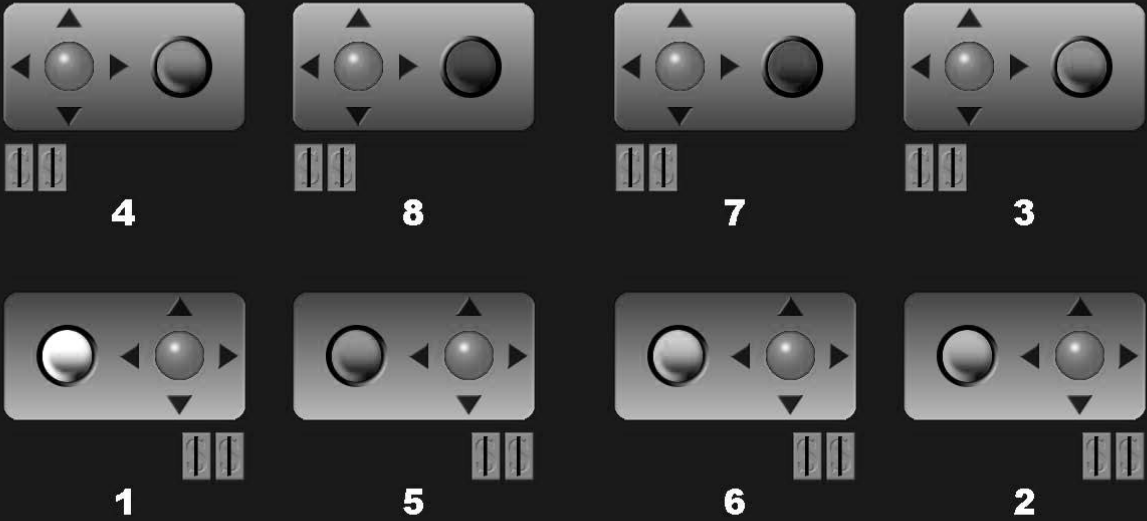
Pac-Man™ Battle Royale Championship

Diagnostics
Control Panel Test
RGB Lamp Tests
Grid
Color Bars
Color Gradient
Left Audio
Right Audio
Back

PAC-MAN™ & ©Bandai Namco Entertainment Inc.
©Bandai Namco Amusement America Inc.

Control Panel Test (I/O TEST)

Control Panel Test



The screen displays eight numbered button layouts for testing. Each layout consists of a central button and four surrounding buttons (up, down, left, right). The numbers 1 through 8 are positioned below each layout. Below each number is a small icon of three vertical bars, representing a test indicator.

Press BACK to Exit

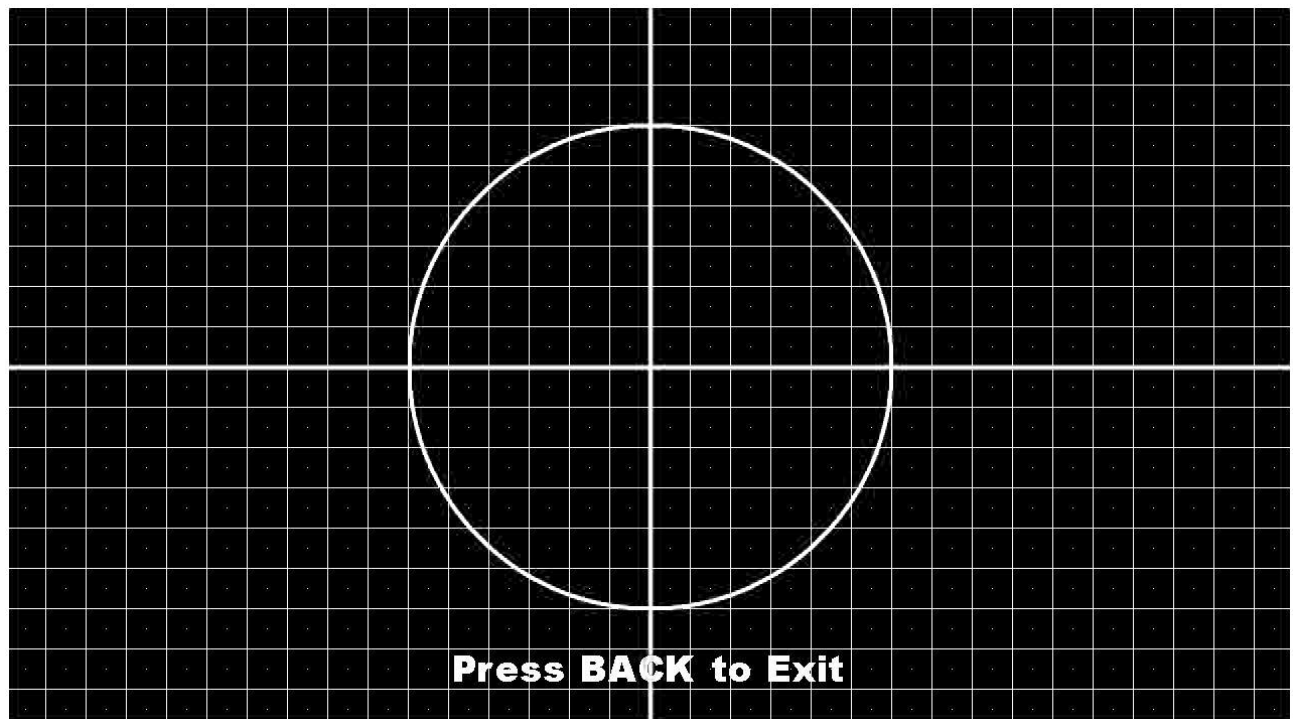
RGB Lamp Tests

Pac-Man™ Battle Royale Championship

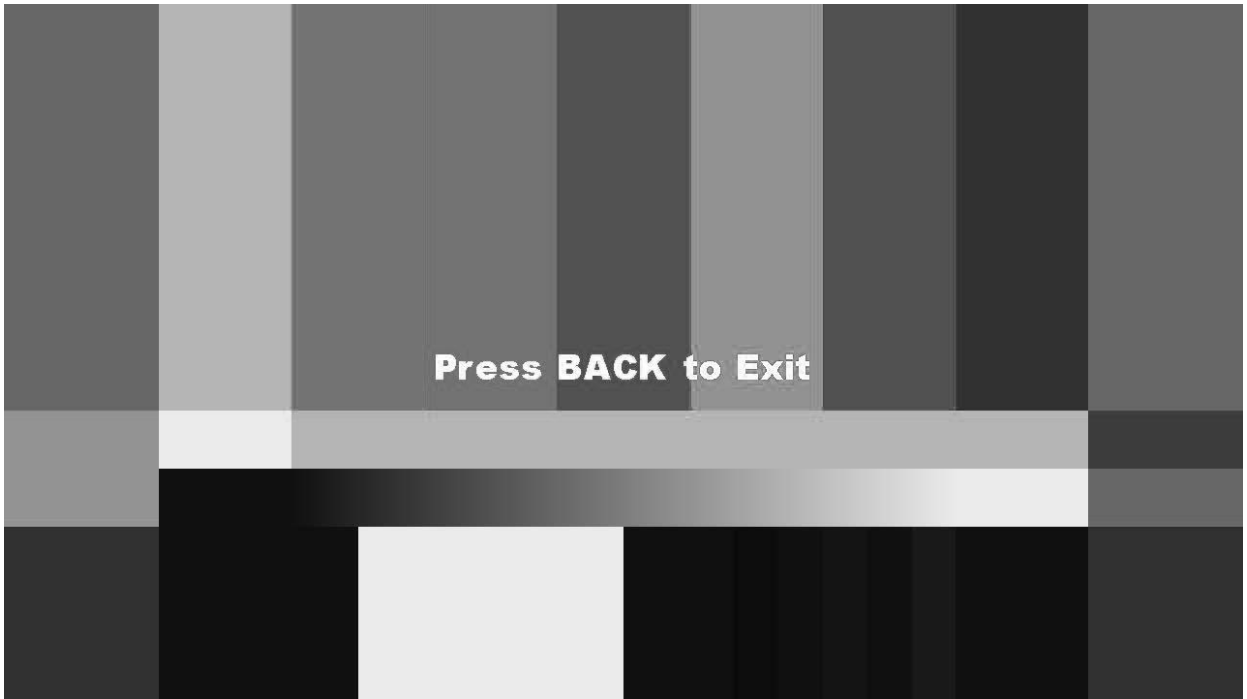
RGB Lamp Tests
All Lamps Red
All Lamps Green
All Lamps Blue
Chase
Back

PAC-MAN™ & ©Bandai Namco Entertainment Inc.
©Bandai Namco Amusement America Inc.

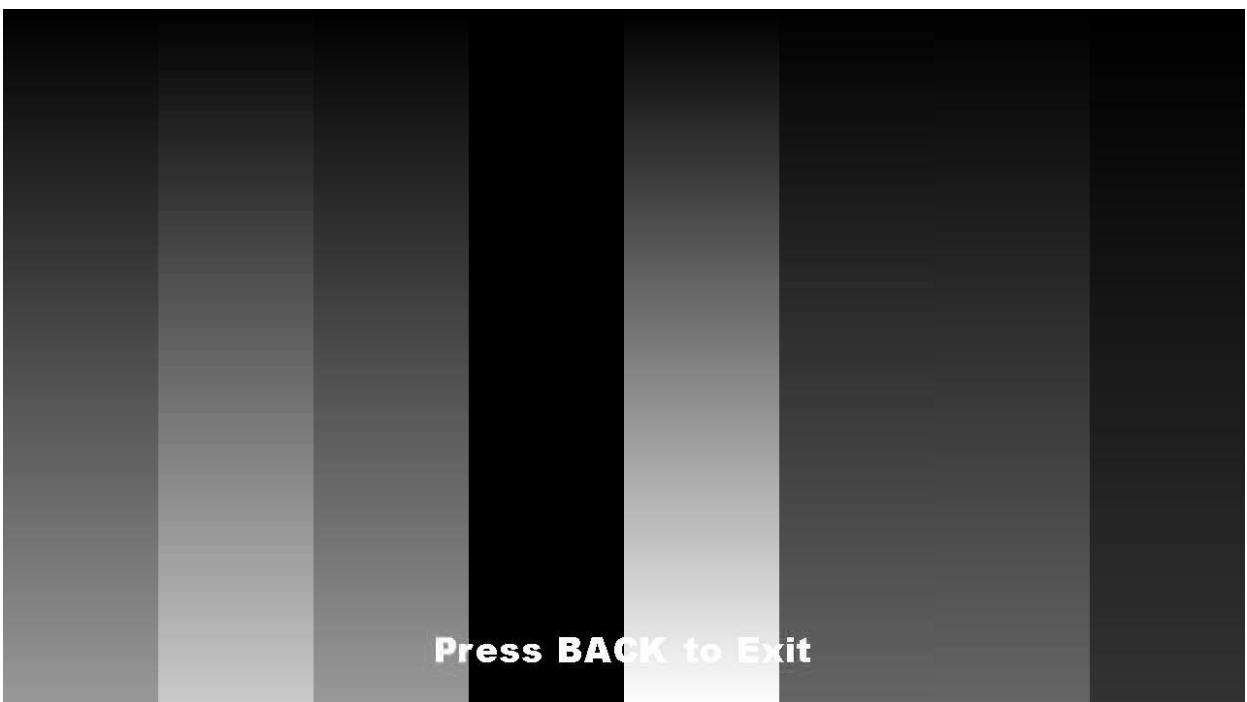
Grid Test



Color Bars



Color Gradient



ADD AD IMAGES

Pac-Man™ Battle Royale Chompionship

Ad Images

Ad image display time (seconds): 5

Insert Ad Image

View/Delete Ad Image

Back

PAC-MAN™ & ©Bandai Namco Entertainment Inc.
©Bandai Namco Amusement America Inc.

IMAGES SHOULD BE RGB COLOR MODEL AND NO BIGGER THAN 1280x720

Extra space will be black if the aspect ratio of the loaded image isn't the same as 1280x720.

The files must be JPEGs and the file name must end in ".jpg".

To add images:

- 1) load the images onto a USB flash drive
- 2) plug the flash drive into the game
- 3) go to Test Menu → Ad Images → Insert Ad Image
- 4) choose the image(s) that you want to install. While highlighted the image will appear on the right half of the screen.

Pac-Man™ Battle Royale Chompionship

Insert Ad Image

No JPEG files found

Back

PAC-MAN™ & ©Bandai Namco Entertainment Inc.
©Bandai Namco Amusement America Inc.

REMOVE AD IMAGES

To view or delete the loaded images:

- 1) go to Test Menu → Ad Images → View/Delete Ad Image
- 2) choose the image(s) that you want to delete and Confirm Ad Display Time sets the amount of time each ad is displayed. It can be set from 3 to 15 seconds. The default is 5 seconds. The maximum ads that can be loaded at once is eight.

Pac-Man™ Battle Royale Championship
View/Delete Ad Image
No ads loaded
Back

PAC-MAN™ & ©Bandai Namco Entertainment Inc.
©Bandai Namco Amusement America Inc.

SERVICES – To be conducted by a technician only –

WARNING

- To prevent electric shock, accident or injury and to prevent damage to the electrical circuitry of the machine, be sure to turn the power switch off before servicing the machine (including preventive measures against failure and repairs).

Inspections and services

WARNING

- The machine should be inspected and serviced on a regular basis. Failing to do so may result in accidents or damage to the machine.

Inspection items

Check the following inspection items regularly.

- (1) Level adjuster
 - Make sure that the machine is stable on the floor.
- (2) Power cord plug
 - Make sure that the power cord is connected firmly to the cord box on the machine and the AC outlet.
 - Be sure to keep the cord box free of dust and dirt.
 - Check to see if there are any cracks in the power cord. If the power cord is abnormal in any way, replace it with a new one.
- (3) Bolts and nuts

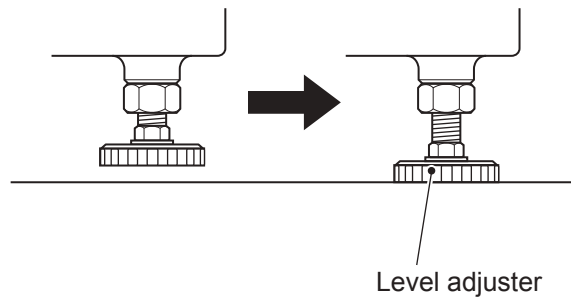
Check to be sure that the bolts and nuts used for the following parts are not loose. If any of them are loose, tighten them firmly.

ASSEMBLY AND SETUP – To be conducted by a technician only –

Assembly

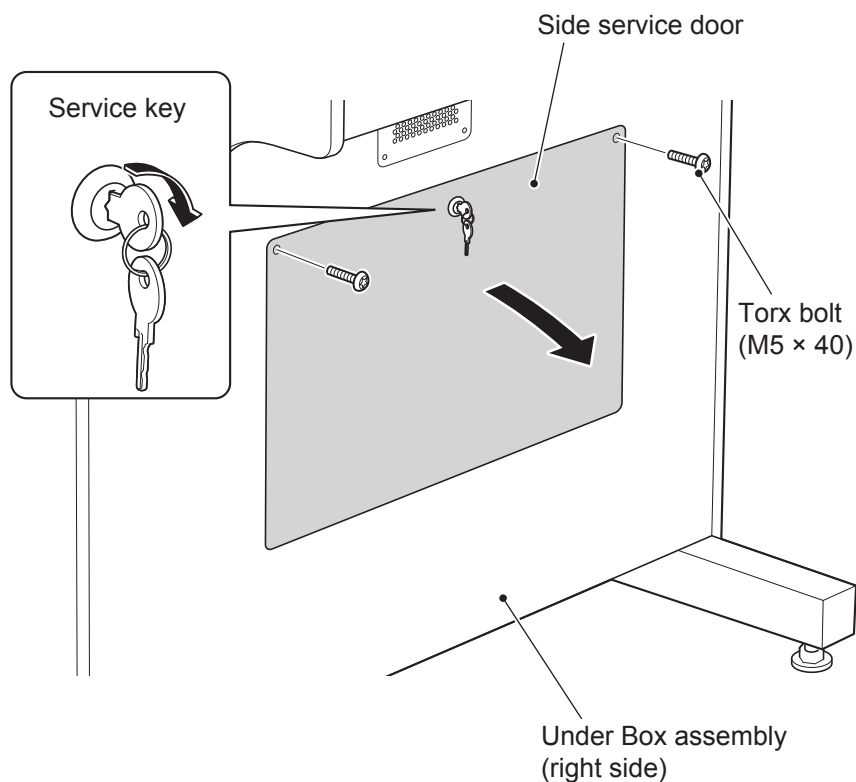
Securing the machine using level adjusters

Be sure to make the machine level and stable using the four level adjusters.



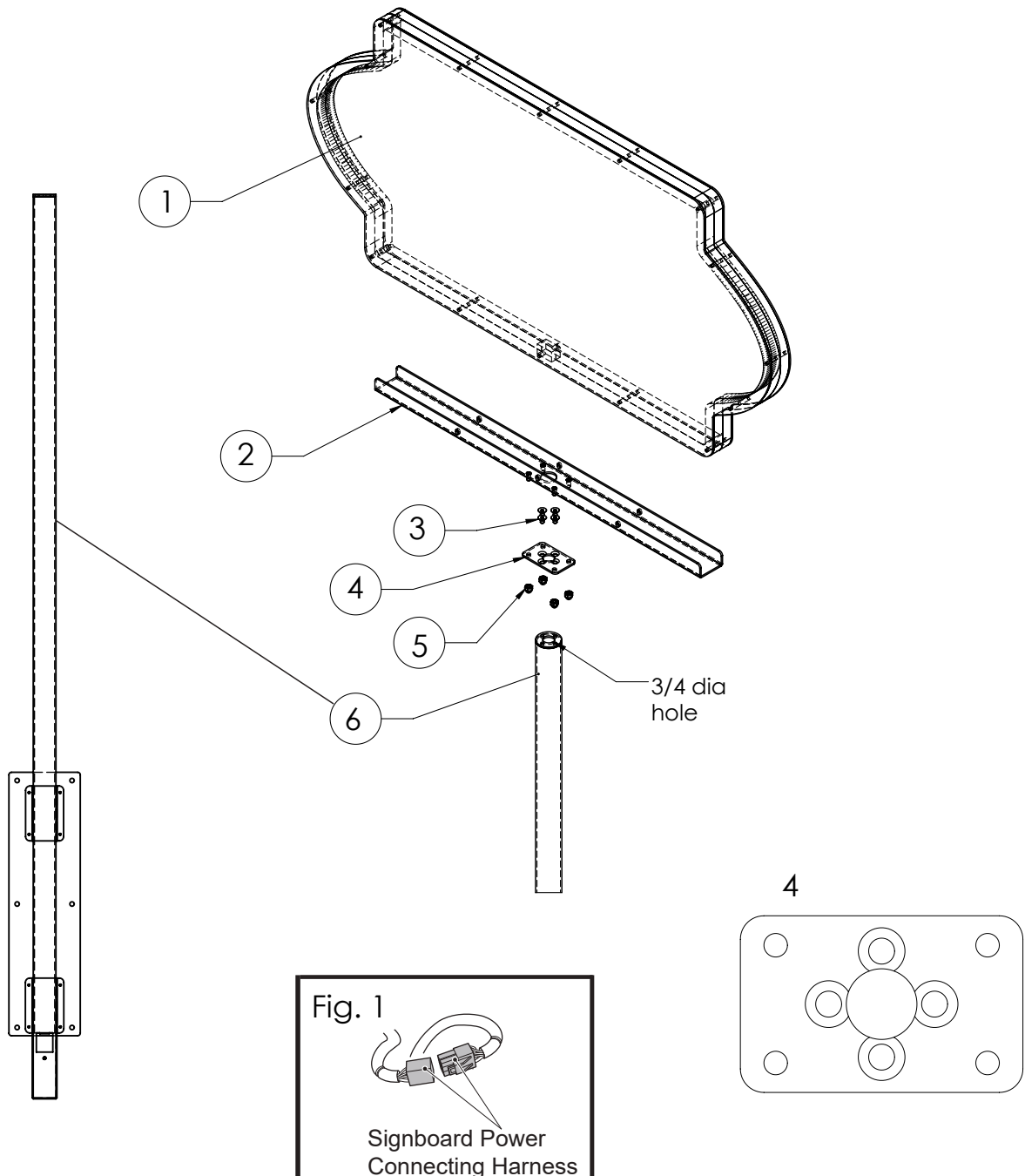
Removing and attaching the side service door

- 1** Remove the two Torx bolts (M5 x 40), unlock the door using the provided service key, and remove the door.
- 2** Attach the door following the above steps in reverse.



Attaching the signboard

- 1** Expose the signboard power connecting harness from the vertical signboard mounting pole (6) then pull it through center of the signboard connecting plate (4). Then secure the signboard connecting plate (4) to signboard mounting pole (6) using the (3) 4 connecting bolts.
- 2** Place the signboard connecting bracket (2) within the signboard connecting plate (4) as you have already completed in step 1. Secure the signboard bracket to the signboard mounting plate using the 4 nuts to the signboard bracket pegs (5) through the signboard mounting plate. Then take the signboard and place it within the signboard connecting bracket taking care to connect the signboard power connecting harness as shown in Fig 1. below. Once this is completed you can screw in the remaining screws on the outside of the mounting bracket to secure the signboard to machine.



Assembly and disassembly of the machine

Top Board assembly

(1) Removing and attaching the Top Board assembly

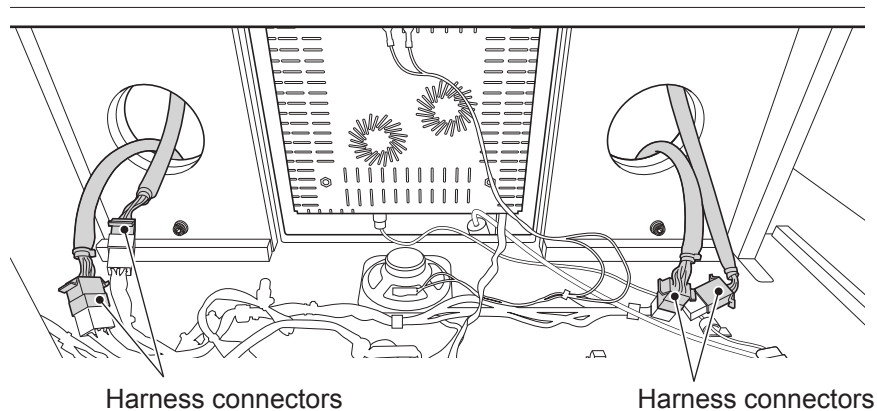
WARNING

- To prevent electric shock, accident or injury and to prevent damage to the electrical circuitry of the machine, be sure to turn the power switch off before performing the tasks described below.

CAUTION

- The Top Board assembly weighs approximately 44.1 lb. (20 kg). It should be removed by three or more people in a large work area to prevent accidents.

- 1** Turn the power switch off.
- 2** Remove the side service door.
- 3** Disconnect the four harness connectors.



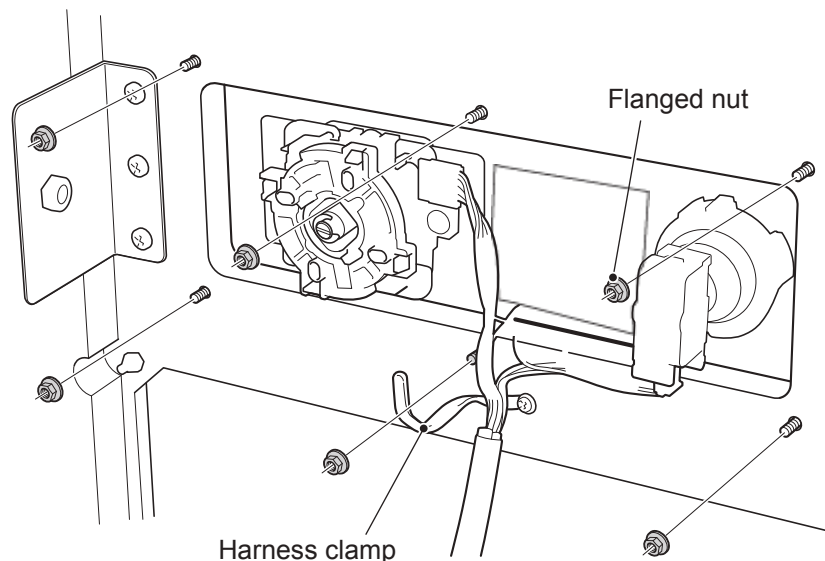
Control Panel assembly

(1) Removing and attaching the Control Panel assembly

WARNING

- To prevent electric shock, accident and injury and to prevent damage to the electrical circuitry of the machine, be sure to turn the power switch off before performing the tasks described below.

- 1** Remove the Top Board assembly.
- 2** Release the harness from the harness clamp on the back of the Top Board assembly.
- 3** Remove the six flanged nuts to remove the Control Panel assembly.



- 4** Attach the Control Panel assembly following the above steps in reverse.



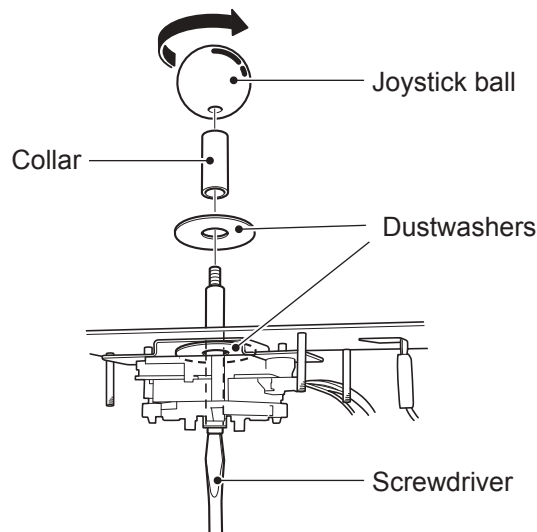
- **NOTICE** The Control Panel assemblies are color-coded for each player number. Make sure that all the Control Panel assemblies are attached in the correct positions.

(2) Replacing the joystick

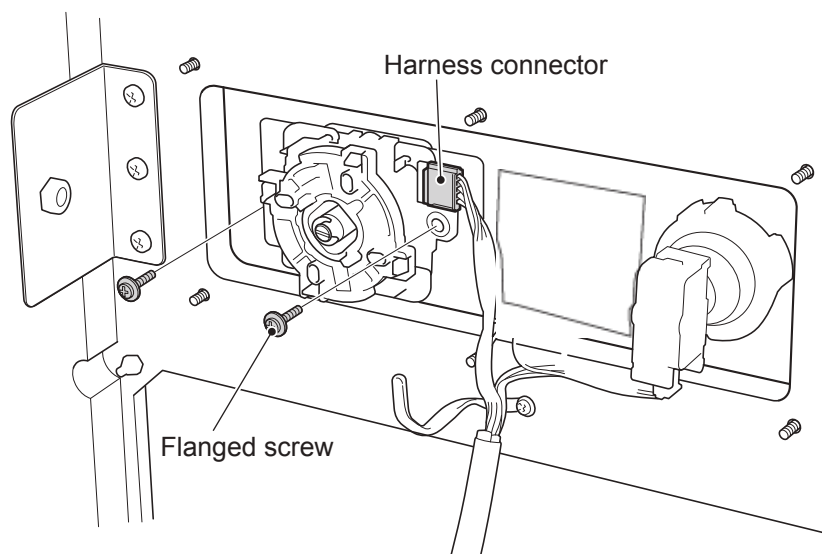
! WARNING

- To prevent electric shock, accident and injury and to prevent damage to the electrical circuitry of the machine, be sure to turn the power switch off before performing the tasks described below.

- 1** Remove the Top Board assembly.
- 2** While holding the thread on the bottom of the joystick shaft using a screwdriver, turn the joystick ball counterclockwise to remove the ball, collar, and upper Dustwasher.



- 3** Remove the two flanged screws and disconnect the harness connector to remove the joystick.



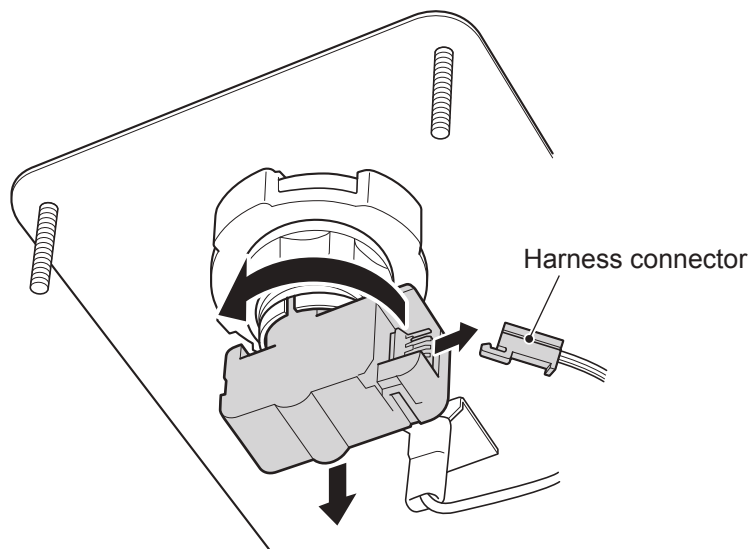
- 4** Attach the joystick following the above steps in reverse.

(3) Replacing the illuminated switch and its LED lamp

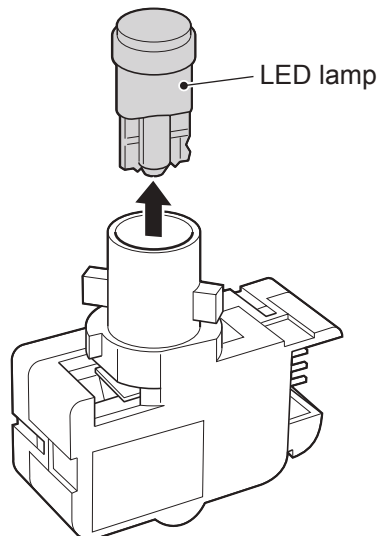
⚠ WARNING

- To prevent electric shock, accident and injury and to prevent damage to the electrical circuitry of the machine, be sure to turn the power switch off before performing the tasks described below.

- 1** Remove the Top Board assembly. (See P. 49 “8B-4-1 (1) Removing and attaching the Top Board assembly.”)
- 2** Remove the harness connector, and then turn the illuminated switch counterclockwise to remove it.

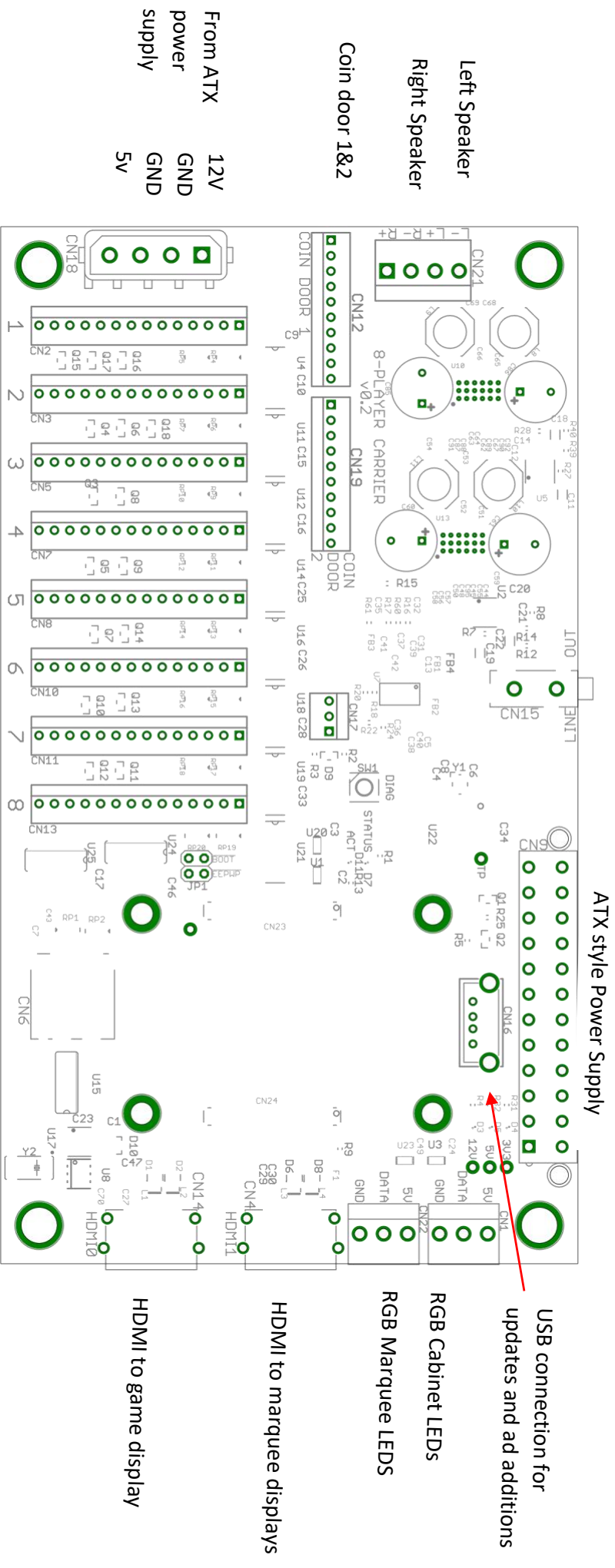


- 3** Pull out the LED lamp from the illuminated switch.



- 4** Replace the illuminated switch or LED lamp.
- 5** Attach the illuminated switch following the above steps in reverse, making sure that the connector orientation is correct.

BOARD CONNECTIONS



From ATX power supply
 12V GND
 GND 5V

Left Speaker
 Right Speaker
 Coin door 1&2

Player controls 1 through 8

ATX style Power Supply

USB connection for updates and ad additions

RGB Cabinet LEDs
 RGB Marquee LEDs

HDMI to marquee displays

HDMI to game display

WARRANTY

Seller warrants that its printed circuit boards and parts thereon are free from defects in materials and workmanship under normal use and service for a period of ninety (90) days from the date of shipment. Seller warrants that its video displays (in games supplied with video displays) are free from defects in material and workmanship under normal use and service for a period of thirty (30) days from the date of shipment. None of the Seller's other products or parts thereof are warranted. Seller's sole liability shall be, at its option, to repair, replace, or credit Buyer's account for such products which are returned to Seller during said warranty period, provided:

- a) Seller is promptly notified in writing upon discovery by Buyer that said products are defective.
- b) Such products are returned prepaid to Seller's plant; and
- c) Seller's examination of said products discloses to Seller's satisfaction that such alleged defects existed and were not caused by accident, misuse, neglect, alteration, improper repair, improper installation, or improper testing.

In no event shall Seller be liable for loss of profits, loss of use, incidental or consequential damages.

Except for any express warranty set forth in a written contract between Seller and Buyer which contract supersedes the terms herein, this warranty is in lieu of all other warranties expressed or implied, including the implied warranties of merchantability and fitness for a particular purpose, and all other obligations or liabilities on the Seller's part, and it neither assumes nor authorizes any other person to assume for the Seller any other liabilities in connection with the sale of products by Seller.

Bandai Namco Amusement America Inc. distributors are independent, being privately owned and operated. In their judgment they may sell parts or accessories other than Bandai Namco Amusement America Inc. parts or accessories. Bandai Namco Amusement Inc. cannot be responsible for the quality, suitability or safety of any non-Bandai Namco Amusement America Inc. part or any modification including labor which is performed by such distributor.

SERVICE

If you have questions regarding any **Bandai Namco Amusement America Inc.** product or require technical support:

Contact **Bandai Namco Amusement America Inc.** Customer Service at:

1 (847) 264-5614

Hours: 9:00 am - 5:00 pm CDT

Parts and repair services for **Bandai Namco Amusement America Inc.** products are available through your distributor.



Bandai Namco Amusement America INC.

1550 Glenlake Ave.

Itasca, IL 60143

847.264.5610

Technical Assistance (USA)

Parts: 847.264.5612 Tech Service: 847.264.5614

www.NAMCOPARTS.com

www.BANDAINAMCO-AM.com

Part No.

BC45-20697-00

Rev 2. July 2022

Specifications of the machine and contents of this operation manual are subject to change without prior notice due to product improvements.