

SEDONA BY LYNX™ SERIES



UPDATED APRIL 2024

LYNX
LIVE THE LYNX LIFE



LYNX LIFE	4
SEDONA BY LYNX™ SERIES	7
FEATURES	8
LYNX CHEF'S PANEL	10
BUILT-IN GRILLS	12
FREESTANDING GRILLS	18
SEDONA BY LYNX™ ADA® COMPLIANT GRILL	22
DESIGN CENTER	26
STORAGE SOLUTIONS	28
REFRIGERATOR	30
SINK AND DRINK SOLUTIONS	32
ACCESSORIES	34
SPECIFICATIONS & INSTALLATION	36
LIMITED WARRANTY	40

Lynx is committed to providing the best customer experience and product service possible. We have a dedicated team of highly trained professionals to answer your needs Monday–Friday during regular business hours.

For technical questions or service please
e-mail: service@lynxgrills.com
or call: 888.289.5969





LIVE THE LYNX LIFE

LYNXGRILLS.COM



It's more than a grill, it's a state of mind. Born in Southern California, and rooted in a mix of stunning geography, idyllic weather, stylish people, and healthy, adventurous cuisine. It's an environment that drives innovation, comfort, and ingenuity. A place that is the envy of a nation cursed to conform to the seasons.

It's only natural that a superior outdoor suite of cooking equipment would come from here. Where better to craft the perfect luxury lifestyle product?

More than just a place, more than just a grill, its a way of life.

We invite you to live the Lynx Life.



SEDONA BY LYNX™ SERIES

Easy, stylish and natural. Stunning to the senses. From simple foods, simply prepared, to luxurious cuisine crafted with flair. It's comfortable, clever and organic. It's spices with spirit, sauces that soothe.

The Sedona by Lynx™ fits comfortably in a world where luxury elements are balanced with well-worn staples. Where warm breezes mix with good friends and quiet moments. A world where big meals are designed to delight, or intimate dining is enjoyed under the stars.

LYNXGRILLS.COM

SEDONA BY LYNX™ SERIES FEATURES

The Sedona by Lynx™ Series is easy excellence. It's comfortable and flexible, always evolving to be the best at something new.

That philosophy is reflected in its features. We've refined these features to give you a grilling experience that's both simple and stunning. Whether you're cooking lemon butter tilapia or portobello mushrooms, fusion cuisine or time-tested favorites, the Sedona by Lynx™ helps you create sensational results.

When you want to relax, share amazing food with your friends, or try a new inspiration, the Sedona by Lynx™ is waiting.



PROSEAR™ INFRARED BURNER

To properly sear a generous cut of filet mignon, scallops, or even pineapple slices, you need an instant response from a powerful burner. The ProSear Infrared Burner delivers.

Acclaimed for its immediate response and 23,000 BTUs of intensive heat, the ProSear can also do more. Unlike a simple “searing burner” with limited settings, the ProSear is completely variable—so you can use it for delicate dishes as well.

It's plenty of power, at your control, and a lifetime warranty to back it up.



STAINLESS STEEL BURNERS

You know we believe in stainless steel.

Our 23,000 BTU burners are engineered to endure temperatures up to 2,000°F. That means it can perform under fire, and perform for years—in fact, our stainless steel burners come with a lifetime warranty. Paired with our ceramic radiant briquettes, these burners provide a quick and even heat that you can tailor for perfect results year after year.



CERAMIC RADIANT BRIQUETTES

Perfect outdoor cooking begins with even heat.

Charcoal briquettes can form a steady glow of heat beneath your food—but traditional gas grill burners can create irregular hot spots, forcing you to continually flip and move your food to achieve an even finish.

With Lynx Ceramic Briquettes, your gas grill emanates a perfectly even heat across the base of your grill.

For your convenience, in five minutes, you can cleanse the briquettes by reversing the tray and raising the heat.



SEAMLESS WELDED CONSTRUCTION

The Lynx workshop in California is a study in skill, a lesson in craft.

A welder pauses to focus on an unwelded seam... then, with one swift and steady stroke, he sweeps his torch across the seam—like painting a perfect line—and an unbroken edge emerges.

It's over in a second, and that's how it has to be done. We do not use mechanical fasteners. We form every sheet of metal into a solitary, seamless body of shimmering steel, free of gaps and seams where moisture could collect. Hand-tooled, precision welded, and highly polished by the skilled specialists in our shop, each and every grill is inspected before it leaves our floor. We examine details on every side, step back, and check reflections in every light, to ensure that your grill embodies Lynx—finished with invisible welds and hand-polished edges that shine like mirrors.



EXPANSIVE GRILLING SURFACE

The Lynx Life is expansive and deep. It has space to move and relax, always has room for more, and never feels limited or confined.

So, we built our grills with more space in mind.

Our expansive grilling surfaces provide greater depth, extending to more than 20 inches deep on most models.

You might not need it all. It just feels good to have it.



ROTISSERIE SYSTEM

A rotisserie unlocks a new realm of food. There is no better way to carefully and evenly cook generous meats like whole chickens and roasts, or baskets of vegetables, chicken wings, and sides.

The Lynx Rotisserie has a dedicated burner and optional Lynx Rotisserie Basket, allowing you to carefully cook smaller dishes and sides while preparing a main dish—you can even roast your own coffee beans.

It's simply mesmerizing to watch the rotisserie steadily turn, summoning mouth-watering aroma as it elicits a crisp exterior and succulent interior for lemon rotisserie chicken, red wine leg of lamb, a honey glazed ham, or a bourbon pork roast. The image lingers for a while, but the aroma is unforgettable.



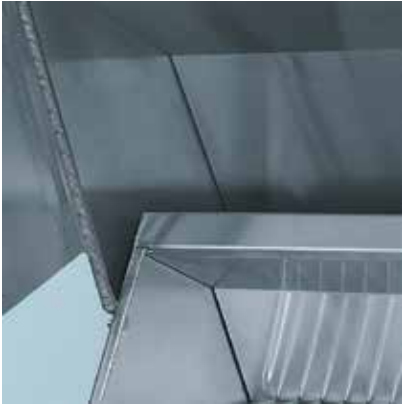
SPARK IGNITION SYSTEM

The perfect meal begins with a spark.

The Lynx Spark Ignition System lights your grill quickly and safely, with just the push of a knob.

With electric ignition and a battery back-up, you don't need to try more than once. Now you can be certain that, when you're ready to grill, your grill will respond.

SEDONA BY LYNX™ SERIES FEATURES



LYNX HOOD ASSIST

Solid stainless steel gives our grills a sense of substance.

They feel firm at every touch, with a sound and an aura of permanence.

But you can lift the hoods with just a finger—each one is centrally balanced, and has a heat-treated assist system that makes it surprisingly weightless to open and close.

You'll probably do it twice—just to feel it again.

Go ahead. Everyone does.



INTEGRATED ILLUMINATION

There's a mystical air that arises just as the sun starts to set and the evening arrives.

It's a beautiful time to grill... if you can.

Every Lynx grill incorporates elegant blue illumination emanating from each knob with a calm blue light. As you lift the lid, intuitive halogen illumination shows you exactly how your food is looking.

So, just check in on your food.

Then, get back to basking in the sundown grill aroma. It seems to steal an amber essence from the last of the sun.

FOR INSPIRATION

Visit the Lynx Life menu
at lynxgrills.com and
follow us on social media.





SEDONA BY LYNX™ BUILT-IN GRILLS

A built-in Sedona by Lynx grill is the radiant centerpiece for your outdoor experience.

INTRODUCING THE NEW REDESIGNED 36" BUILT-IN GRILL

REDESIGNED FEATURES

- Satin brush finish on canopy edges
- Rotisserie rod storage on rear of grill
- An additional canopy light for better visibility

SEDONA BY LYNX™ 42" BUILT-IN GRILL



PRODUCT OVERVIEW

- Diverse choices—available in four different configurations
- Generous capacity—1,049 square inches of cooking surface (728 primary, 321 secondary)
- Consistent assurance—direct spark ignition with battery backup
- Perfect clarity—dual halogen grill surface lights
- Quick visibility—temperature gauge
- Easy opening—Lynx Hood Assist
- Steadfast durability—heavy-duty welded construction eliminates gaps where grease can collect
- Beautiful illumination—blue-lit control knobs
- Smooth movement—fluid rotation handle



OPEN VIEW

- Premier platform—stainless steel grilling grates
- Ready rotisserie—dedicated rotisserie back burner, motor, spit rods, and forks (on rotisserie models)

MODEL	DESCRIPTION
L700	42" Built-In Grill – 3 Stainless Steel Burners
L700R	42" Built-In Grill – 3 Stainless Steel Burners with Rotisserie
L700PS	42" Built-In Grill – 1 ProSear Burner & 2 Stainless Steel Burners
L700PSR	42" Built-In Grill – 1 ProSear Burner & 2 Stainless Steel Burners with Rotisserie
LIJ700	Insulating Jacket for 42" Built-In Grill
VC700	42" Vinyl Cover (built-in)

NOTE: Must Specify Gas Type – NG for Natural Gas or LP for Propane

NEW REDESIGNED SEDONA BY LYNX™ 36" BUILT-IN GRILL



PRODUCT OVERVIEW

- Diverse choices—available in four different configurations
- Ample capacity—891 square inches of cooking surface (618 primary, 273 secondary)
- Consistent assurance—direct spark ignition with battery backup
- Perfect clarity—dual halogen grill surface lights
- Quick visibility—temperature gauge
- Easy opening—Lynx Hood Assist
- Steadfast durability—heavy-duty welded construction eliminates gaps where grease can collect
- Beautiful illumination—blue-lit control knobs
- Smooth movement—fluid rotation handle



OPEN VIEW

- Premier platform—stainless steel grilling grates
- Ready rotisserie—dedicated rotisserie back burner, motor, spit rods, and forks (on rotisserie models)

MODEL	DESCRIPTION
L601	36" Built-In Grill – 3 Stainless Steel Burners
L601R	36" Built-In Grill – 3 Stainless Steel Burners with Rotisserie
L601PS	36" Built-In Grill – 1 ProSear Burner & 2 Stainless Steel Burners
L601PSR	36" Built-In Grill – 1 ProSear Burner & 2 Stainless Steel Burners with Rotisserie
LJ600	Insulating Jacket for 36" Built-In Grill
VC600	36" Vinyl Cover (built-in)

NOTE: Must Specify Gas Type – NG for Natural Gas or LP for Propane

SEDONA BY LYNX™ 30" BUILT-IN GRILL



PRODUCT OVERVIEW

- Diverse choices—available in four different configurations
- Ample capacity—733 square inches of cooking surface (508 primary, 225 secondary)
- Consistent assurance—direct spark ignition with battery backup
- Perfect clarity—dual halogen grill surface lights
- Quick visibility—temperature gauge
- Easy opening—Lynx Hood Assist
- Steadfast durability—heavy-duty welded construction eliminates gaps where grease can collect
- Beautiful illumination—blue-lit control knobs
- Smooth movement—fluid rotation handle



OPEN VIEW

- Premier platform—stainless steel grilling grates
- Ready rotisserie—dedicated rotisserie back burner, motor, spit rods, and forks (on rotisserie models)

MODEL	DESCRIPTION
L500	30" Built-In Grill – 2 Stainless Steel Burners
L500PS	30" Built-In Grill – 1 ProSear Burner & 1 Stainless Steel Burner
L500PSR	30" Built-In Grill – 1 ProSear Burner & 1 Stainless Steel Burner with Rotisserie
LIJ500	Insulating Jacket for 30" Built-In Grill
VC500	30" Vinyl Cover (built-in)

NOTE: Must Specify Gas Type – NG for Natural Gas or LP for Propane

SEDONA BY LYNX™ COMPLIMENTARY PRODUCTS



MODEL SVH36 / SVH42 / SVH48

VENT HOOD

- Powerful internal blower—venting the hood at 1,200 CFM
- Plentiful performance—four 12-inch by 14-inch baffle filters
- Tapered profile—a 32-inch depth at the bottom sloping to a 15-inch depth at the top
- Perfectly placed illumination—dimnable 50-watt halogen lights
- Lasting simplicity—baffle filters are durable and dishwasher-safe



MODEL LIJ500/LIJ600/LIJ700

INSULATED JACKET

- Secure assurance—required for grills installed in islands with combustible materials
- Steadfast durability—heavy-duty welded construction



MODEL VC700 / VC600 / VC500

VINYL COVER FOR BUILT-IN GRILL

- Perfect protection—a custom tailored fit
- Delicate touch—felt lining protects stainless steel finishes
- Quick placement—nylon finger loops help pull and secure the cover in place
- Lasting resilience—tough textured vinyl
- Secure durability—pocket seams for lasting quality and a flexible cord for a close fit

NOTE: NG for Natural Gas and LP for Propane

SEDONA BY LYNX™ COMPLIMENTARY PRODUCTS



MODEL LSB501

SINGLE SIDE BURNER

- Versatile intensity—one burner that you can turn from low simmer up to intense heat at 12,500 BTU
- Proven dependability—reliable spark ignition system
- Beautiful coverage—stainless steel cover to protect the burner when not in use
- Clean finish—burners and burner basin are sealed and easy to clean
- Striking illumination—backlit blue control knobs
- Steadfast durability—heavy-duty welded construction eliminates gaps where grease can collect



MODEL LSB502

DOUBLE SIDE BURNER

- Versatile intensity—two burners that you can turn from low simmer up to intense heat at 12,500 BTUs per burner
- Proven dependability—reliable spark ignition system
- Beautiful coverage—stainless steel cover to protect the burner when not in use
- Clean finish—burners and burner basin are sealed and easy to clean
- Striking illumination—backlit blue control knobs
- Steadfast durability—heavy-duty welded construction eliminates gaps where grease can collect

MODEL	DESCRIPTION
LSB501	Single Side Burner
LSB502	Double Side Burner
SVH36	36" Vent Hood includes 1200 CFM internal blower
SVH42	42" Vent Hood includes 1200 CFM internal blower
SVH48	48" Vent Hood includes 1200 CFM internal blower
SDC1236	36" External Duct Cover Extension for up to a 12' ceiling
SDC1242	42" External Duct Cover Extension for up to a 12' ceiling
SDC1248	48" External Duct Cover Extension for up to a 12' ceiling
LIJ500	Insulated Jacket 30" Grill
LIJ600	Insulated Jacket 36" Grill
LIJ700	Insulated Jacket 42" Grill
SEDLPK	NG to LP Grill Conversion Kit
SEDNGK	LP to NG Grill Conversion Kit
VC500	30" Vinyl Cover Built-In
VC600	36" Vinyl Cover Built-In
VC700	42" Vinyl Cover Built-In



SEDONA BY LYNX™ FREESTANDING GRILLS

A freestanding Sedona by Lynx™ grill lets you move your grill for a new setting or season.

INTRODUCING THE NEW REDESIGNED 36" FREESTANDING GRILL

REDESIGNED FEATURES

- Satin brush finish on canopy edges
- Rotisserie rod storage on rear of grill
- An additional canopy light for better visibility

SEDONA BY LYNX™ 42" FREESTANDING GRILL



PRODUCT OVERVIEW

- Diverse choices—available in four different configurations
- Generous capacity—1,049 square inches of cooking surface (728 primary, 321 secondary)
- Consistent assurance—direct spark ignition with battery backup
- Perfect clarity—dual halogen grill surface lights
- Quick visibility—temperature gauge
- Easy opening—Lynx Hood Assist
- Steadfast durability—heavy-duty welded construction eliminates gaps where grease can collect
- Beautiful illumination—blue-lit control knobs
- Smooth movement—fluid rotation handle
- Premier platform—stainless steel grilling grates
- Ready rotisserie—dedicated rotisserie back burner, motor, spit rods, and forks (on rotisserie models)



OPEN VIEW

MODEL	DESCRIPTION
L700 + S42CART	42" Freestanding Grill – 3 Stainless Steel Burners
L700R + S42CART	42" Freestanding Grill – 3 Stainless Steel Burners with Rotisserie
L700PSF	42" Freestanding Grill – 1 ProSear Burner & 2 Stainless Steel Burners
L700PSR + S42CART	42" Freestanding Grill – 1 ProSear Burner & 2 Stainless Steel Burners with Rotisserie
VC700F	42" Vinyl Cover (freestanding)

NOTE: Must Specify Gas Type – NG for Natural Gas or LP for Propane

NOTE: Freestanding "F" models come shipped pre-assembled from the factory

NOTE: Grill and cart may also be purchased separately. Assembly required by homeowner

NEW REDESIGNED SEDONA BY LYNX™ 36" FREESTANDING GRILL



PRODUCT OVERVIEW

- Diverse choices—available in four different configurations
- Ample capacity—891 square inches of cooking surface (618 primary, 273 secondary)
- Consistent assurance—direct spark ignition with battery backup
- Perfect clarity—dual halogen grill surface lights
- Quick visibility—temperature gauge
- Easy opening—Lynx Hood Assist
- Steadfast durability—heavy-duty welded construction eliminates gaps where grease can collect
- Beautiful illumination—blue-lit control knobs
- Smooth movement—fluid rotation handle
- Premier platform—stainless steel grilling grates
- Ready rotisserie—dedicated rotisserie back burner, motor, spit rods, and forks (on rotisserie models)



OPEN VIEW

MODEL	DESCRIPTION
L601 + S36CART	36" Freestanding Grill – 3 Stainless Steel Burners
L601R + S36CART	36" Freestanding Grill – 3 Stainless Steel Burners with Rotisserie
L601PSF	36" Freestanding Grill – 1 ProSear Burner & 2 Stainless Steel Burners
L601PSFR	36" Freestanding Grill – 1 ProSear Burner & 2 Stainless Steel Burners with Rotisserie
VC600F	36" Vinyl Cover (freestanding)

NOTE: Must Specify Gas Type – NG for Natural Gas or LP for Propane

NOTE: Freestanding "F" models come shipped pre-assembled from the factory

NOTE: Grill and cart may also be purchased separately. Assembly required by homeowner

SEDONA BY LYNX™ 30" FREESTANDING GRILL



PRODUCT OVERVIEW

- Diverse choices—available in four different configurations
- Ample capacity—733 square inches of cooking surface (508 primary, 225 secondary)
- Consistent assurance—direct spark ignition with battery backup
- Perfect clarity—dual halogen grill surface lights
- Quick visibility—temperature gauge
- Easy opening—Lynx Hood Assist
- Steadfast durability—heavy-duty welded construction eliminates gaps where grease can collect
- Beautiful illumination—blue-lit control knobs
- Smooth movement—fluid rotation handle
- Premier platform—stainless steel grilling grates
- Ready rotisserie—dedicated rotisserie back burner, motor, spit rods, and forks (on rotisserie models)



OPEN VIEW

MODEL	DESCRIPTION
L500 + S30CART	30" Freestanding Grill – 2 Stainless Steel Burners
L500PS + S30CART	30" Freestanding Grill – 1 ProSear Burner & 1 Stainless Steel Burner
L500PSR + S30CART	30" Freestanding Grill – 1 ProSear Burner & 1 Stainless Steel Burner with Rotisserie
VC500F	30" Vinyl Cover (freestanding)

NOTE: Must Specify Gas Type – NG for Natural Gas or LP for Propane

NOTE: Freestanding "F" models come shipped pre-assembled from the factory

NOTE: Grill and cart may also be purchased separately. Assembly required by homeowner

SEDONA BY LYNX™ ADA® COMPLIANT GRILL



Lynx is proud to introduce the first freestanding cart grill designed for individuals with disabilities. Yet another Lynx first, this ADA compliant unit is very accessible, extremely practical, and has all the amazing features of the Sedona by Lynx™ Grill. Available in 30" and 36" freestanding cart sizes, with or without rotisserie option.

MEET MICHAEL

The ADA grill is an achievement of passion, vision, and a unique partnership that steered the development process. When the Lynx engineering team began designing the ADA grill, we knew we needed an authentic voice to guide its development. Through a mutual friend, we were introduced to Michael (out of respect for privacy, we refrain from including his last name). Michael is a C7 quadriplegic, having suffered a break in his 7th cervical spinal cord segment in a diving board accident that left him paralyzed from the chest down.

Michael was involved in shaping key features of the ADA grill; the propane tank holder, the insulated bullnose, and the grill storage system to name a few. We were happy to hear that core features of our Sedona by Lynx™ grills, such as the Lynx Hood Assist were his favorite features. Michael's contributions on improving the accessibility features of the ADA grill has been invaluable. His insight into the people and families that comprise the disabled community has had impact beyond measure.

We started out as partners. We are glad to call Michael a friend. Thank you for all your contributions Michael. We couldn't have done it without you.

**Americans with Disabilities Act of 1990*

SEDONA BY LYNX™ ADA® COMPLIANT GRILL



ADA GRILL

- 32" High cooking surface
- 8" Toekick



LID HANDLE

- Adjustable side handle for less than a 42" reach
- Hood assist makes raising and lowering nearly effortless



PROPANE TANK HOLDER

- Side or rear mounted propane tank is very accessible



INSULATED BULLNOSE

- Safe to touch while grilling



GRILL STORAGE SYSTEM

- 2 easy side drawers means no reaching under the grill for tools



ADA KNOB

- Specifically designed to be ADA compliant

MODEL	DESCRIPTION
L601ADA	36" Grill – 1 ProSear Burner & 2 Stainless Steel Burners (freestanding)
VC36ADA	36" Vinyl Cover (freestanding)
ADAKIT	Kit includes 4 Knobs & 1 Hood Handle

NOTE: Must Specify Gas Type – NG for Natural Gas or LP for Propane

SEDONA BY LYNX™ GRILL CARTS



Shown: Model No. S36CART

Sedona cart bases offer mobility and a freestanding option. Standard features include casters, locking brakes on the carts, and flush handles with mirrored accents.

MODEL	DESCRIPTION
S42CART	Cart for 42" Grill
S36CART	Cart for 36" Grill
S30CART	Cart for 30" Grill

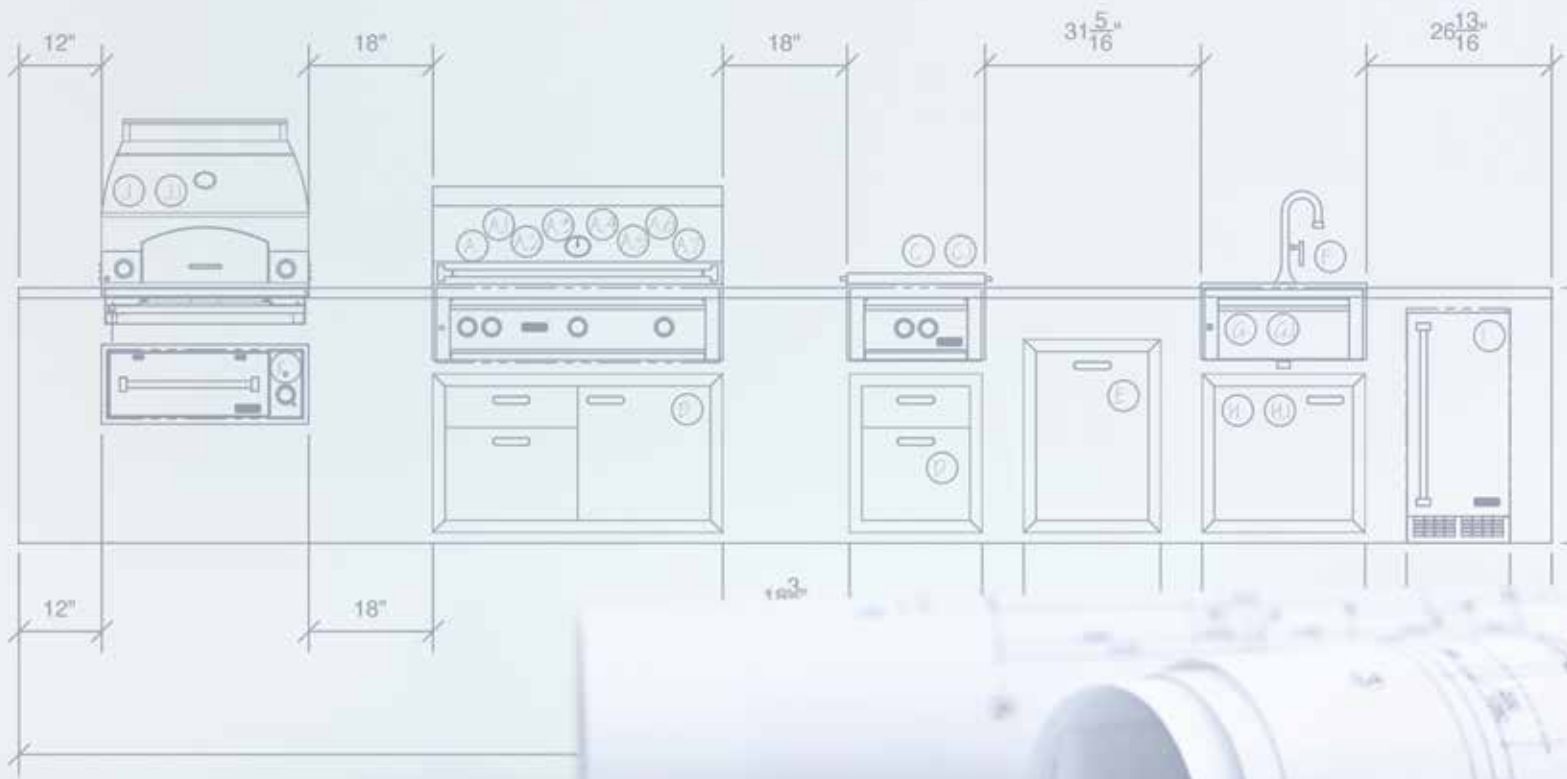
NOTE: Freestanding "F" models come shipped pre-assembled from the factory
NOTE: Grill and cart may also be purchased separately. Assembly required by homeowner

SEDONA BY LYNX™ FREESTANDING COVERS



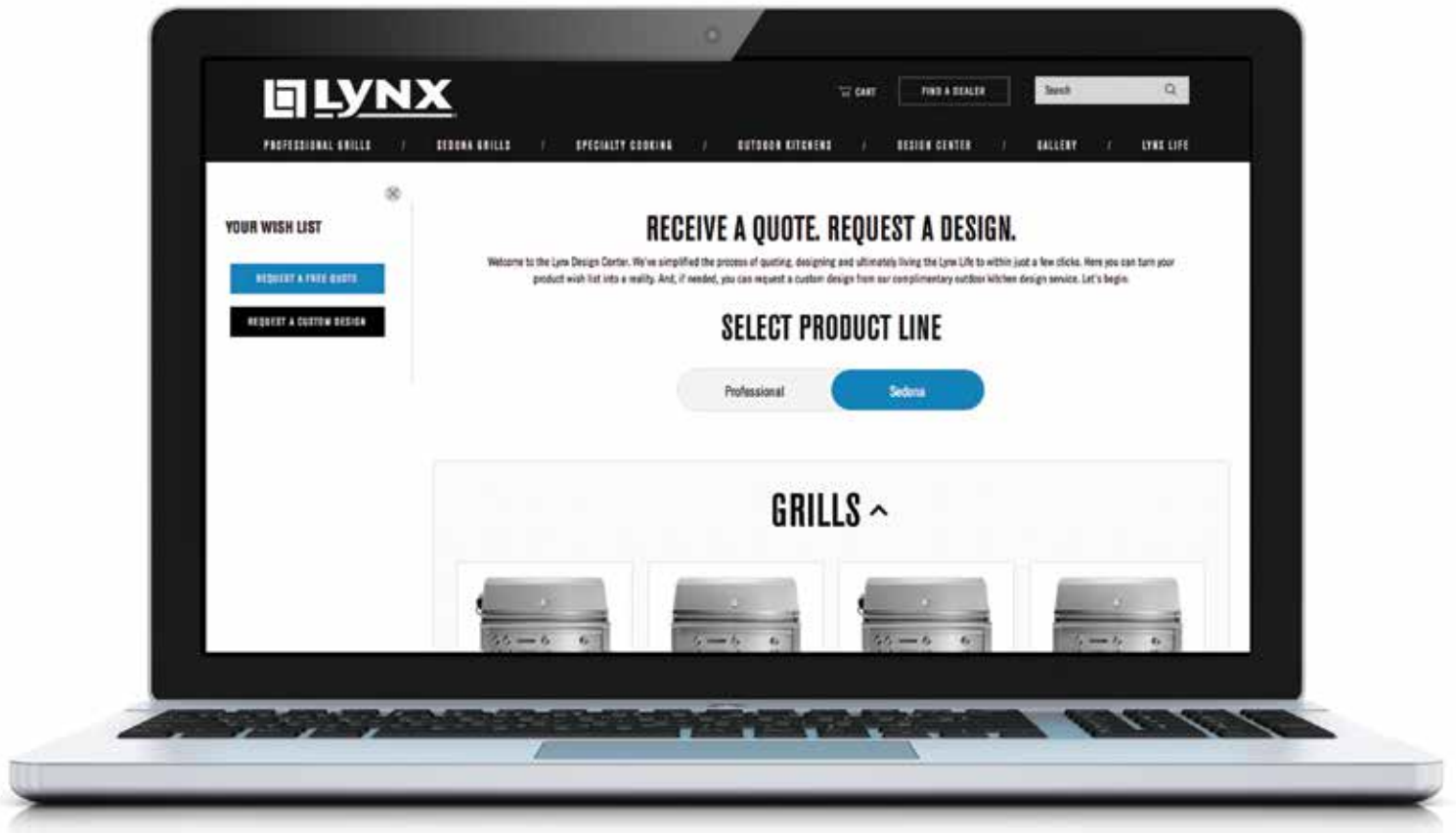
Lynx stainless steel is legendary for its durability. A cover can help you be sure that its beauty is always ready to shine. Lynx covers are custom tailored to each piece and designed to carefully preserve the gleam of stainless steel with a rugged outer shell.

MODEL	DESCRIPTION
VC500F	30" Vinyl Cover Freestanding
VC600F	36" Vinyl Cover Freestanding
VC700F	42" Vinyl Cover Freestanding
VC36ADA	36" Vinyl Cover Freestanding ADA



DESIGN CENTER

We've simplified the process of quoting, designing and transforming outdoor grilling into outdoor living with just a few clicks. The Design Center is where you can turn your product wish list into a reality. And, if needed, you can request a complimentary custom design from our outdoor kitchen design service.



THE PERFECT OUTDOOR KITCHEN IS THE CULMINATION OF SUPERB OPTIONS, CAREFUL SELECTION, AND BRILLIANT DESIGN.

EVEN BETTER, AT LYNX...IT'S ALL INCLUDED AT NO ADDITIONAL COST!

Just visit lynxgrills.com and choose **Design Center**.

There, you can assemble a wish list of products, get a free price quote, or request a complimentary custom design from our outdoor kitchen designers. Just fill out the details in our simple online form.

At the end, you'll have a personal outdoor space where you always feel at home. That's the Lynx Life, and we want to help you achieve it.

We promise to amaze you.



SEDONA BY LYNX™ STORAGE SOLUTIONS

When you're outside, it's where you want to stay. That means having the things you need where you need them. From wine decanters to serving trays, keep everything pristine and ready.

SEDONA BY LYNX™ STORAGE SOLUTIONS



MODEL LDR418 / LDR424 / LDR530 / LDR636 / LDR742

SINGLE ACCESS DOORS/DOUBLE ACCESS DOORS

- Diverse choices—available in 18", 24", 30", 36" and 42" widths
- Easy access—provides access to storage under your island



MODEL LUD519

19" ENCLOSED DOUBLE DRAWERS

- Smooth transition—double drawers with full extension glides
- Convenient access—23-inch depth to store oversized items like grilling tools and serving utensils



MODEL L18TC

OUTDOOR TRASH CENTER

- Essential addition—convenient disposal for packages and clean-up
- Quick clean-up—includes a heavy-duty removable receptacle for trash
- Subtle convenience—provides an appealing concealed option
- Easy opening—simple tilt-out access
- Clean convenience—the door and stainless bin are removable for easy cleaning

MODEL LSA530 / LSA636 / LSA742

ACCESS DOOR & FULLY ENCLOSED DOUBLE DRAWERS

- Diverse choices—available in 30", 36", and 42" widths
- Beautiful convenience—access door has stainless steel hardware and barrel hinges for full opening
- Smooth transition—double drawers with 23-inch depth and full extension glides
- Confident closure—heavy-duty latches for easy closing

MODEL	DESCRIPTION
LDR418	18" Single Access Door
LDR424	24" Single Access Door
LDR530	30" Double Access Doors
LDR636	36" Double Access Doors
LDR742	42" Double Access Doors
LSA530	30" Access Door & Fully Enclosed Double Drawers
LSA636	36" Access Door & Fully Enclosed Double Drawers
LSA742	42" Access Door & Fully Enclosed Double Drawers
LUD519	19" Enclosed Double Drawers
L18TC	18" Outdoor Trash Center

NOTE: For planning and installation details—including dimensions, specification sheets, CAD drawings, and 3-D renderings—please visit the Product Support section of the Lynx website: www.lynxgrills.com



SEDONA BY LYNX™ REFRIGERATOR

Elegantly crafted to complement your Sedona by Lynx™ grill, this rugged, outdoor-rated refrigerator is built to withstand the elements. It provides ample space to keep chilled refreshments and grilling ingredients close at hand, and shelves that can hold bottles upright or adjust for flat, high-capacity storage.

SEDONA BY LYNX™ 20" OUTDOOR REFRIGERATOR



PRODUCT OVERVIEW

- Tested safety—UL listed for outdoor use
- Helpful illumination—includes interior lighting
- Flawless finish—has a seamless stainless steel cabinet and door
- Perfect lining—interior liner is seamless for clean simplicity
- Adaptable configuration—suitable for built-in or freestanding use
- Optional configuration—convertible to left-open alignment with a kit
- Generous capacity—providing 4.1 cubic feet of space
- Variable storage—3 wire shelves
- Precision cooling—adjustable temperature control
- Easy stability—adjustable leveling legs (leveling feet included)
- Individualized fit—reversible door (kit included)



OPEN VIEW

MODEL	DESCRIPTION
L500REF	20" Outdoor Refrigerator



SEDONA BY LYNX™ SINKS AND DRINK SOLUTIONS

Outdoor kitchens create experiences, and inspire conversations, that don't happen anywhere else. To keep your attention on the things that matter, you need a simple place for rinsing, filling, or washing without stepping away.

SEDONA BY LYNX™ SINKS AND DRINK SOLUTIONS



MODEL LSKD18

18" DROP IN DEEP SINK

- Convenient depth—basin is 14.75 by 16.5 by 10 inches, has a 3.5-inch drain with stopper and basket, and accommodates disposal units
- Tailored integration—sized to accommodate Lynx faucet model LFK
- Beautiful coverage—stainless steel cover included



MODEL LFK

GOOSENECK FAUCET

- Flawless finish—solid stainless steel faucet
- Flexible configuration—install for hot/cold or cold-only water
- Expansive arch—the high arch fits large pots and pans
- Elegant simplicity—designed with understated style
- Lasting assurance—outdoor rated with a 10-year warranty
- Long-lasting design—carefully engineered to operate without washers
- Easy functionality—easily operates with a single-lever handle
- Cleansing stream—with an aerator head and a flow rate of 1.8 gallons per minute
- Tested efficiency—compliant with California Energy Commission (CEC) standards



MODEL LDC18

18" DROP-IN COOLER

- Convenient chilling—fully insulated stainless steel cooler with polished highlights
- Consistently cool—heavy-duty refrigerator seal and insulated lid always keeps its contents chilled
- Flexible configuration—removable hinge pins let you use the cooler without the lid
- Ample depth—a 13-inch depth accommodates most wine bottles
- Generous capacity—providing 1.7 cubic feet of space
- Simple stability—the telescoping bracket can hold the lid open
- Optional simplicity—drain in base for attaching hose (hose not included)



MODEL L16TWL-1

OUTDOOR TOWEL DISPENSER

- Subtle convenience—provides an appealing concealed option
- Faultless finishing—heavy-duty welded construction with a Professional style handle
- Quick clean-up—fits a standard roll of paper towels
- Customized access—the door swings up

MODEL	DESCRIPTION
LFK	Gooseneck Faucet
LSKD18	18" Outdoor Drop In Deep Sink
L16TWL-1	16" Outdoor Paper Towel Dispenser
LDC18	18" Drop-In Cooler

NOTE: Must Specify Gas Type – NG for Natural Gas or LP for Propane



SEDONA BY LYNX™ ACCESSORIES

Perfect pairing is an art. And like the elements of an artfully orchestrated meal, our accessories form an elegant compliment to your Lynx outdoor kitchen.

SEDONA BY LYNX™ ACCESSORIES



MODEL GP

GRIDDLE PLATE

- Amazing options—cook anything on your grill
- Generous space—11" x 15" cooking surface
- Thoughtful design—angled 5° slope front to rear to prevent spillage, and 2" high sides
- Stable placement—four feet firmly grip grates
- Quick clean-up—easy-to-clean stainless steel surface



MODEL RB8

ROTISSERIE BASKET

- Brilliant versatility—great for vegetables, chicken wings, and more
- Easy addition—compatible with any Lynx or Sedona rotisserie grill
- Flexible placement—works with both the rear rotisserie burner or standard grilling burners
- Quick clean-up—easy to clean and dishwasher safe



MODEL LSTK

LYNX STEAK KNIFE SET

- Complete preparation—set includes six 5-inch steakhouse-style knives with a beautiful wooden case
- Magnificent quality—crafted from German stainless steel delivers perfect performance
- Elegant finish—polished black and stainless steel handles

MODEL	DESCRIPTION
GP	Griddle Plate
RB8	Rotisserie Basket
LSTK	Lynx Steak Knife Set

SEDONA BY LYNX™ SPECIFICATIONS & INSTALLATION

The guides, measurements, and dimensions detailed below are designated to assist you with planning your outdoor kitchen. **NOTE:** Due to continuing product innovation, specifications are subject to change without notice. All measurements are in inches. **IMPORTANT:** Please reference the Care & Use / Installation manual for details on gas plumbing requirements, electrical specifications, and the proper installation of your Lynx outdoor kitchen equipment. This manual can be downloaded from the Lynx website at www.lynxgrills.com

THE SEDONA BY LYNX™ COLLECTION

BUILT-IN GRILL

Model	A	B	C
L500	29"	10"	21 ¼"
L600/L601	35"	10"	21 ¼"
L700	41"	10"	21 ¼"

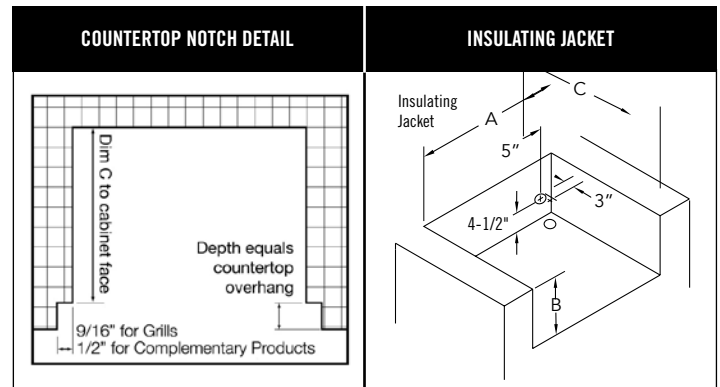
COMPLEMENTARY PRODUCTS

Model	A	B	C
LSB501*	11"	4"	16"
LSB502*	21"	4"	16"
LDR418	15 5/8"	19"	—
LDR424	22"	19"	—
LDR530	28 ¼"	19"	—
LDR636	33 ¾"	19"	—
LDR742	39 ¾"	19"	—
LSA530	28 ¼"	19"	20"
LSA636	33 ¾"	19"	20"
LSA742	39 ¾"	19"	20"
LUD519	17 ¼"	19"	20"
L500REF	21 ½"	34"	24 ½"
L16TWL-1	14 ½"	8 ¼"	8"
L18TC	16"	24 ¼"	13"
LSKD18	15"	10 ½"	21"
LDC18	18 ¼"	13"	18 ¼"

BUILT-IN GRILL WITH INSULATING JACKET

Model	A	B	C
LIJ500	36"	11 5/8"	23 ¼"
LIJ600	42"	11 5/8"	23 ¼"
LIJ700	48"	11 5/8"	23 ¼"

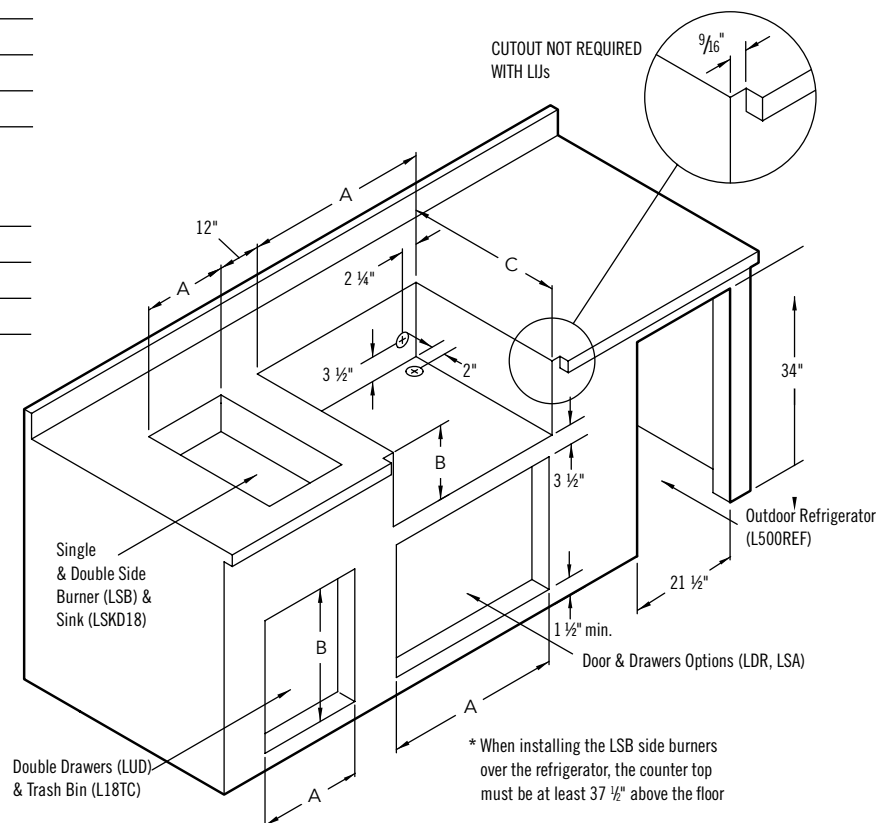
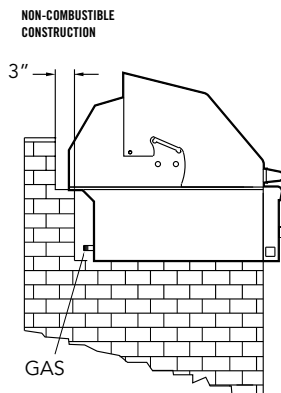
Lynx offers bulk LP installation kits for all LP grills (*converts grill from LP to bulk LP*). Installation must be done by a licensed installer, plumber or authorized gas professional. Bulk kits are not available for natural gas plumbed grills, and they are only available for U.S. customers.



Note: Insulating jacket required for all grills installed into a combustible enclosure

Note: For natural gas grills, Lynx recommends using ¾" gas lines

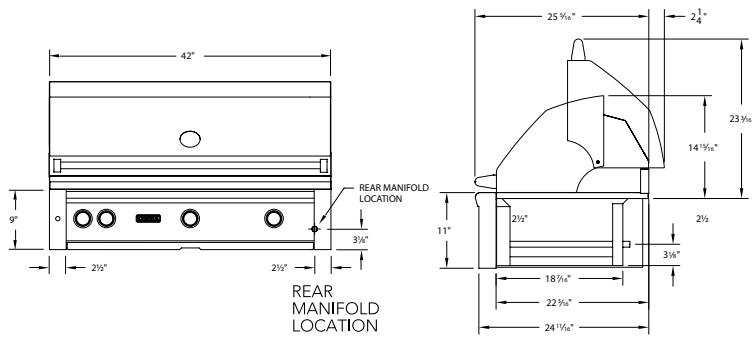
Note: Side burners may be rotated 90 degrees. See installation manuals for details.



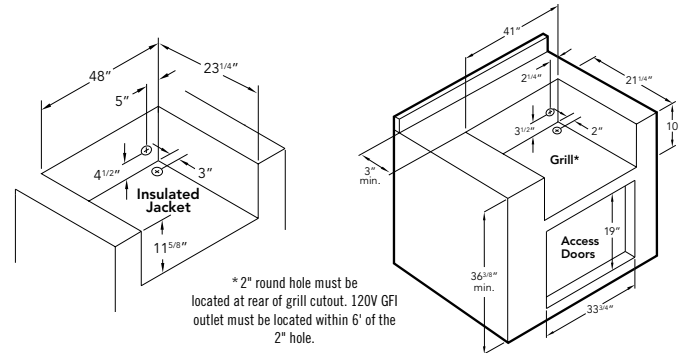
* When installing the LSB side burners over the refrigerator, the counter top must be at least 37 ½" above the floor

SEDONA BY LYNX™ SPECIFICATIONS & INSTALLATION

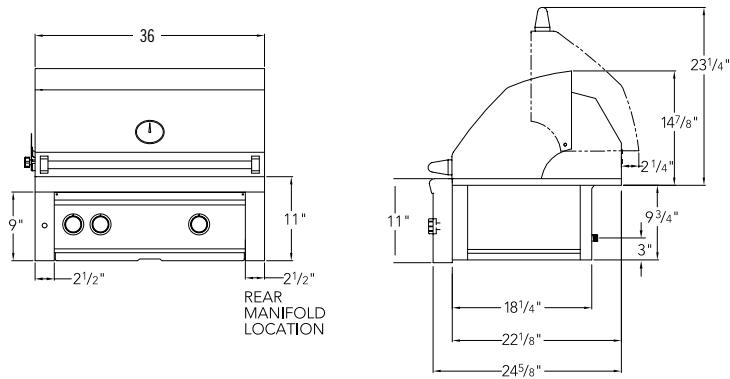
42" GRILL DIMENSIONS & ISLAND PREPARATION



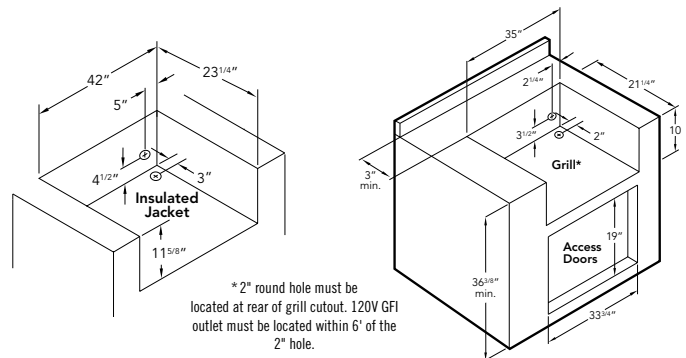
L700 ISLAND PREPARATION



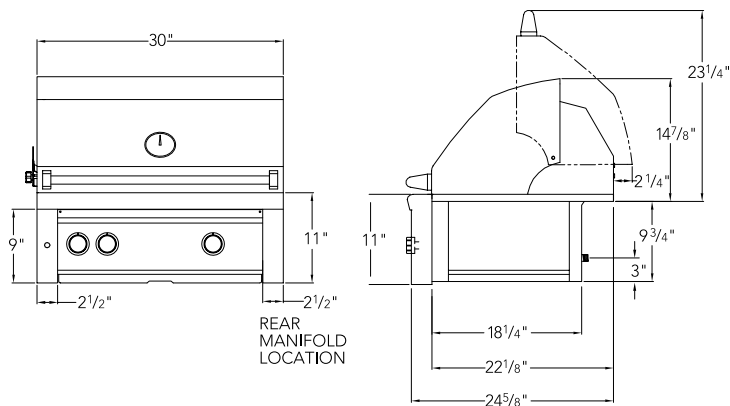
36" GRILL DIMENSIONS & ISLAND PREPARATION



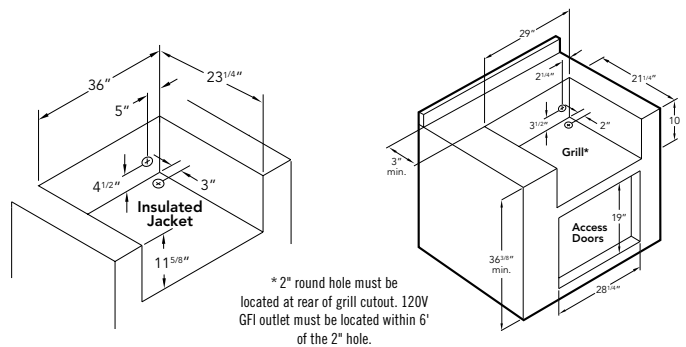
L600 ISLAND PREPARATION



30" GRILL DIMENSIONS & ISLAND PREPARATION

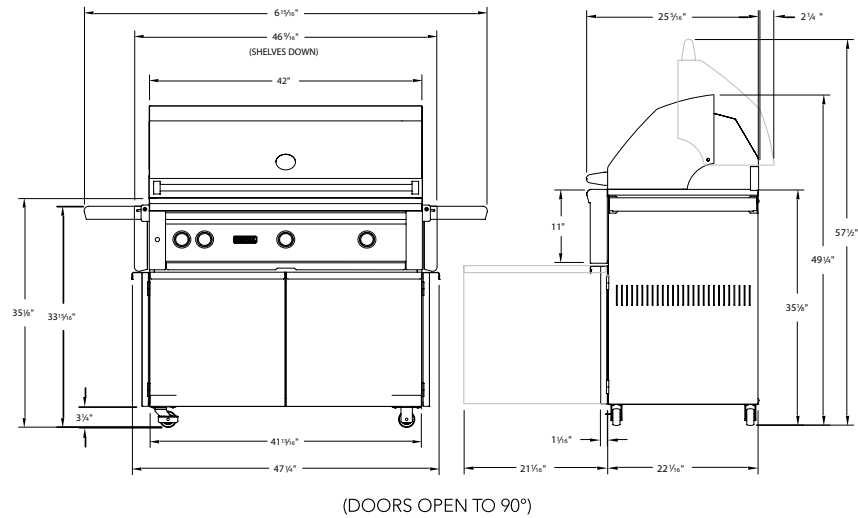


L500 ISLAND PREPARATION

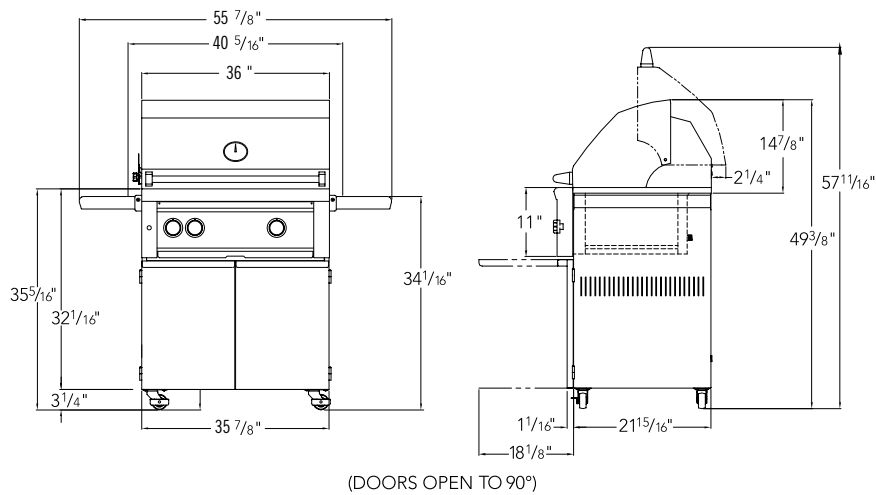


SEDONA BY LYNX™ SPECIFICATIONS & INSTALLATION

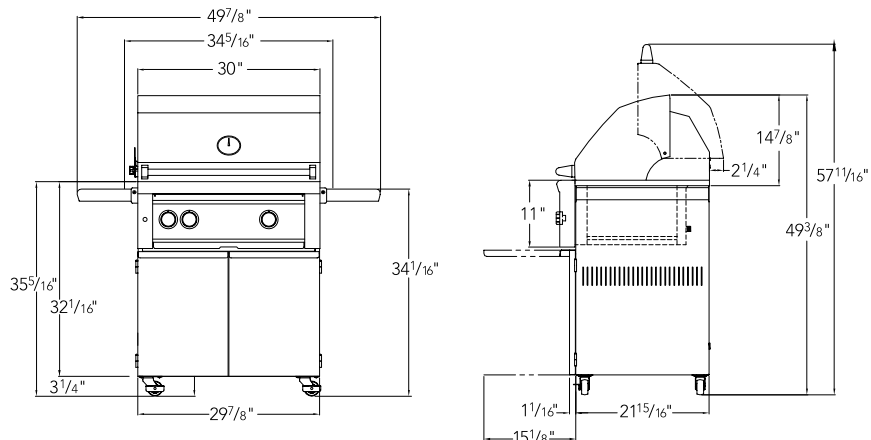
42" FREESTANDING GRILL DIMENSIONS



36" FREESTANDING GRILL DIMENSIONS

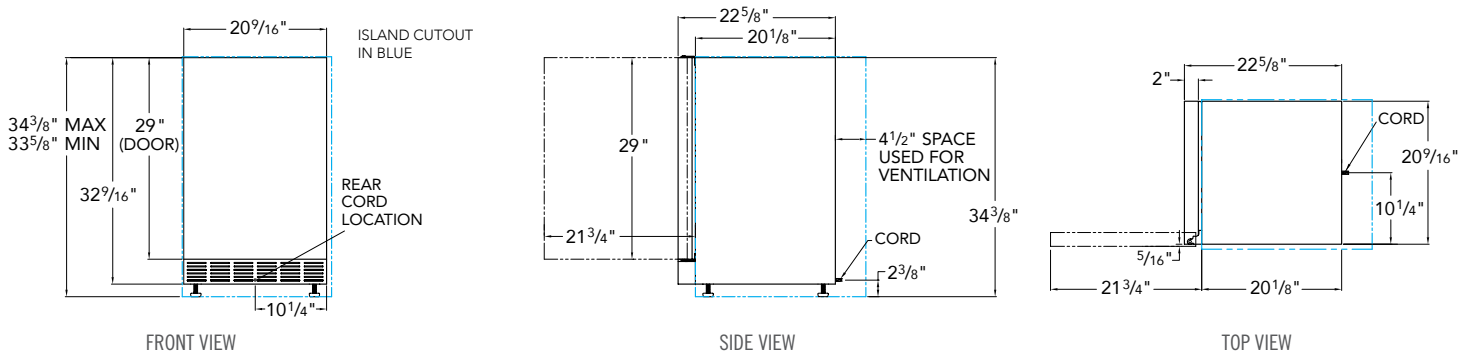


30" FREESTANDING GRILL DIMENSIONS



SEDONA BY LYNX™ SPECIFICATIONS & INSTALLATION

SEDONA BY LYNX™ 20" OUTDOOR REFRIGERATOR



NOTE: For this illustration refrigerator has been set at a maximum height of $34\frac{3}{8}"$

SEDONA BY LYNX™ LIMITED WARRANTY

I. LIMITED LIFETIME WARRANTY

The stainless steel grill body, stainless steel grill burners, cooking grates, ProSear burner and rotisserie infrared burner are warranted to be free from defects in material and workmanship when subjected to normal domestic use and maintenance for the lifetime of the original purchaser. This warranty excludes surface corrosion, scratches, and discoloration which may occur during normal use. This warranty is limited to the replacement of the defective parts, with the owner paying a processing fee and all other costs including labor. Failure to perform required maintenance will void this warranty.

II. LIMITED FIVE-YEAR WARRANTY

The following grill parts are warranted to be free from defects in material and workmanship, when subjected to normal domestic use and maintenance, for a period of five (5) years from the original date of purchase; warming racks, spit rods, briquette trays, manifolds and gas valves. This warranty is limited to the replacement of the defective parts, with the owner paying a processing fee and all other costs including labor.

III. LIMITED TWO-YEAR WARRANTY

All other grill components are warranted to be free from defects in material and workmanship, when subjected to normal domestic use and maintenance, for a period of two (2) years from the original date of purchase. This warranty is limited to the replacement of the defective parts, with the consumer paying all labor costs.

IV. LIMITED ONE-YEAR WARRANTY

For a period of one (1) year from the original date of purchase, Lynx will replace or repair parts found to be defective at no cost to the original purchaser. This includes the cost of shipping replacement parts and, where necessary, service labor at prevailing local rates by a Lynx authorized service person. Service will be provided during normal business hours and must be authorized in advance by Lynx.

V. LIMITATIONS & EXCLUSIONS

- 1) This Warranty shall apply to products purchased and located in the United States and Canada. Products must be purchased in the country where service is requested.
- 2) Warranty applies only to the original purchaser and may not be transferred.
- 3) Warranty is in lieu of all other warranties expressed or implied and all other obligations or liabilities related to the sale or use of Lynx products.
- 4) Warranty shall not apply and Lynx is not responsible for damage resulting from misuse, abuse, failure to provide reasonable and necessary required maintenance, natural disaster, animals, alteration of or tampering with the appliance, accident, hostile environment, flare-up fires, improper installation or operation, or an installation not in accordance with the instructions contained in this manual, or the local codes.

- 5) Lynx shall not be liable for incidental, consequential, special or contingent damages resulting from its breach of this written warranty or any implied warranty.
- 6) Some states do not allow limitations on how long an implied warranty lasts, or the exclusions of or limitations on consequential damages. This warranty gives you specific legal rights and you may have other rights which vary from state to state.
- 7) No one has the authority to add to or vary Lynx's warranty, or to create for Lynx any other obligation or liability in connection with the sale or use of its products.
- 8) Limited to the replacement of defective parts with the owner paying all other costs including labor.

VI. WHAT IS NOT COVERED: LYNX SHALL NOT BE RESPONSIBLE FOR AND SHALL NOT PAY FOR THE FOLLOWING

- 1) Installation or start-up, damages or problems caused by improper installation or use.
- 2) Service by an unauthorized service provider.
- 3) Damage or repair due to service by an unauthorized service provider or use of unauthorized parts.
- 4) Warranty does not apply to products installed in any commercial or non-residential application. Examples of excluded applications include, but are not limited to day care centers, schools, bed and breakfast centers, churches, private clubs, fire stations, club houses, common areas in multi-family dwellings, restaurants, hotels, nursing homes, food service locations and institutional food service locations. *Contact Lynx for Common Area Warranty.
- 5) To correct normal adjustments or settings, due to improper installation, commissioning or local gas supply properties.
- 6) Shipping and handling costs, export duties, installation, removal, or re-installation cost (RMA excluded).
- 7) Display models are sold "as is". If you have purchased a display model, please be advised that it is sold "as is" and that it is subject to the following warranty exclusions: any exterior or cosmetic damage is nonwarrantable; any missing components will be replaced at consumers expense; major handling damage to manifold, valve and ignition system will be serviced at consumer's expense; all other warranties will remain in effect.
- 8) The cost of a service call to diagnose complaint.
- 9) Modification to Lynx product will void related warranties.

* Please refer to Accessory Care & Use for respective warranties.

HOW TO OBTAIN SERVICE FROM LYNX

Before calling for service, please make sure you have the following information:

- Model Number
- Date of Purchase
- Proof of Purchase by the original owner
- Serial Number

Serial number can be located on the rating plate, which is located either on the underside of the drip tray or on the heat shield behind the front panel

For warranty service, contact the Lynx Customer Service Department for an authorized service agent near you at: 888.289.5969 or service@lynxgrills.com

Your satisfaction is of the utmost importance to us. If a problem cannot be resolved to your satisfaction, please write, fax, or email us:

Lynx Grills, Inc.
62201 Hwy 82 West, Greenwood, MS 38930
Tel: 888-289-5969 • Fax: 562-299-6978
www.lynxgrills.com

Contact Lynx for replacement parts. Parts are shipped F.O.B. Greenwood, MS

CONNECT WITH THE LYNX LIFE



THERE'S SO MUCH MORE LYNX LIFE ONLINE!

Visit [lynxgrills](https://www.lynxgrills.com) and check out our complimentary design service, full library of product information and documents, videos, and photos

PRODUCT REGISTRATION ONLINE

Go to <https://www.lynxgrills.com/customer-care/product-registration> to register your new Lynx grill warranty. The information you provide will not be shared with third parties or individuals without your consent.

CONNECT WITH **LYNX** ON



FACEBOOK

YOU TUBE

INSTAGRAM

HOZZ

TWITTER

PINTEREST







FOR MORE INFORMATION, PLEASE CALL 1.888.289.5969 OR VISIT WWW.LYNXGRILLS.COM
A PROUD AMERICAN BRAND

LYNX GRILLS, INC.
62201 HWY 82 WEST, GREENWOOD, MS 38930 P/N 36517 4/1/2024 ©LYNX GRILLS, INC.