

Natural Gas Conversion instructions for MAESTRO ovens

WARNING!

FIRE, EXPLOSION, AND CARBON-MONOXIDE HAZARD

If the information in these instructions is not followed exactly, a fire, explosion, or production of carbon monoxide may result causing property damage, personal injury, or loss of life.

This conversion kit should be installed by a qualified agency in accordance with the appliance manufacturer's instructions and all applicable codes and requirements of the Authority Having Jurisdiction. The qualified agency is responsible for the proper installation of this kit. The installation is not proper and complete until the operation of the converted appliance is checked as specified in the manufacturer's instructions.

The Maestro ovens are set up for LP use by default. However, conversion to Natural Gas (NG) is possible with the use of this kit.

This kit includes:

1. Threaded NG adapter G1/2-NPT 3/8
2. Sealing washer
3. NG Orifice for Maestro
4. NG Regulator
5. NG hose
6. NG Quick Connect

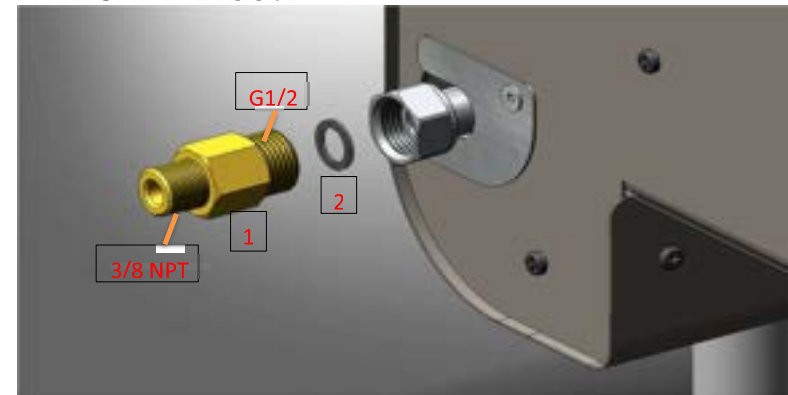
Before commencing the conversion, securely close and disconnect the LPG bottle, storing it in a suitable location in accordance with local regulations.

Ensure the surrounding area is clear of flammable or combustible materials.

Refrain from smoking during the conversion process.



After disconnecting the LPG line, remove the 3/8 SAE connector and its sealing washer. Replace it with the adapter **(1)** and the new sealing washer **(2)** provided in the kit.



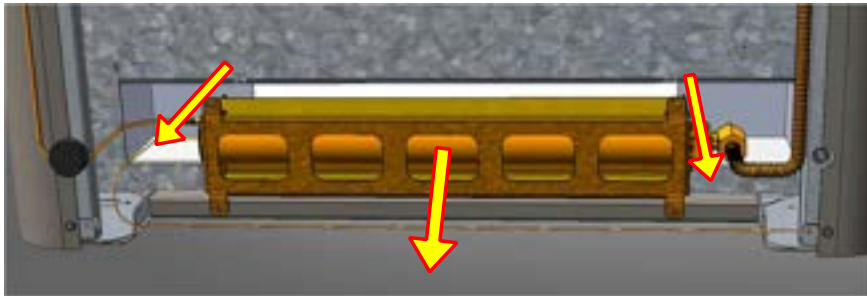


Remove the lower protective covers.

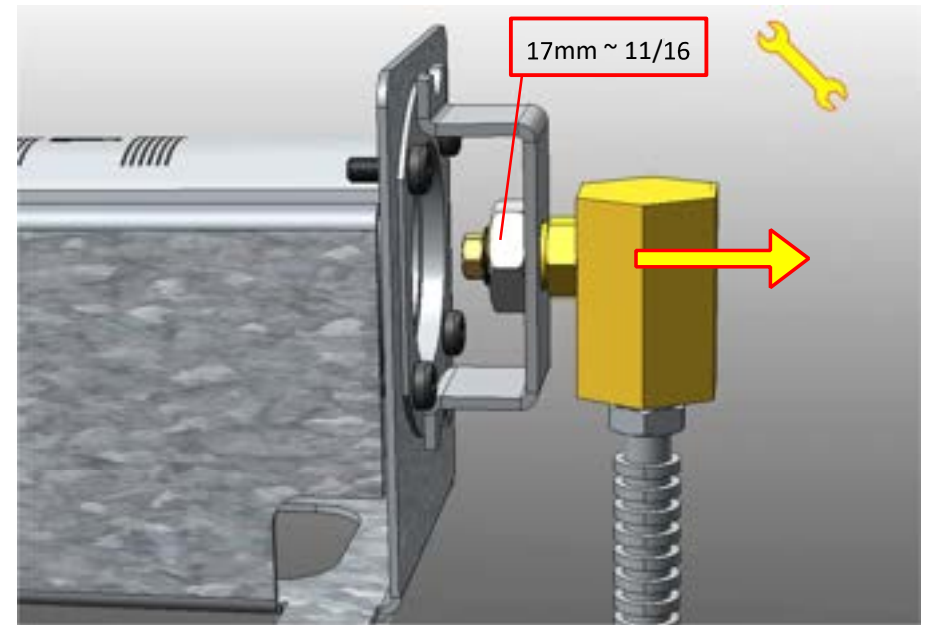
BE CAREFUL NOT TO DAMAGE THE IGNITION WIRES OR THE THERMOCOUPLE.



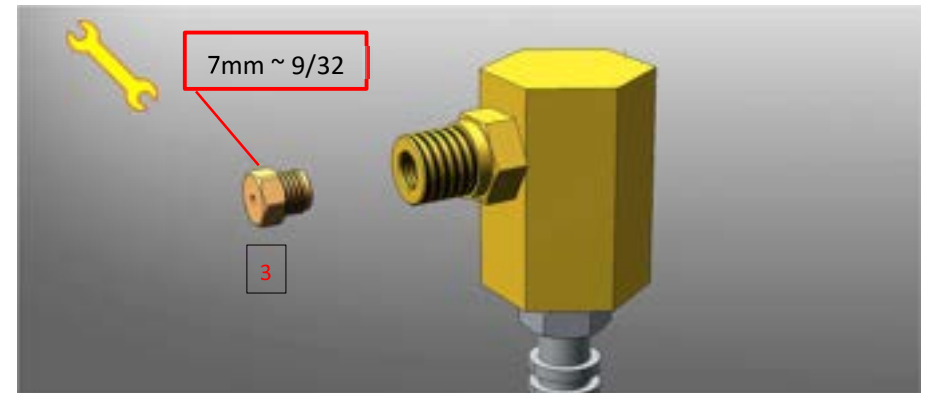
Free the thermocouple and ignition wires from any clamps before proceeding with the disassembly of the burner box.



Unscrew the 4 screws under the burner holder and remove it from its position, again taking care not to damage the wires.



Loosen the M10 nut to remove the injector holder fitting.



To ensure proper operation, it is essential to replace the orifice with one designed for use with natural gas (NG), as provided in the kit:

Natural Gas Orifice	
Maestro 40	Maestro 60
2.55mm	3mm

The size is stamped near the hole on the orifice. Replace the orifice with the one supplied and suitable for your Maestro model.

Conduct a leak test using a soap and water solution on the connections. Close the injector with a finger, open the gas circuit, and observe for bubbles at the joints. If bubbles appear, address the leaks, and repeat the test until all joints are leak-free. Once completed, reassemble the injector holder onto the burner bracket and reinstall the entire circuit onto the oven, being careful not to damage the ignition and thermocouple wires.

Before igniting the oven, perform preliminary ignition tests without opening the gas to ensure the spark-generating device functions correctly. After confirming proper functionality, open the NG circuit with an inlet pressure of 4 w.c, and activate the oven. Verify the stability of the flame at both maximum and minimum settings, and ensure the thermocouple operates correctly.

After the conversion

Once the gas smoker oven has been converted to Natural Gas it is the responsibility of the individual or agency performing the conversion to update the data plate on the back of the oven. This can be done with a sticker or permanent marker.


Fontana Forni s.r.l. +39 0721-776697
via G. Di Vittorio, 6 61047, S. Lorenzo in Campo (PU)

Gas & Manifold Pressure(in w.c.): **converted to NG-4.0**

Model	MAESTRO 40 <input checked="" type="checkbox"/>	MAESTRO 60 <input type="checkbox"/>
Orifice:	LP - 1.40mm NG - 2.55mm	LP - 1.60mm NG - 3.00mm
Input Rating:	23,000 (LP-NG) Btu/h	29,000 (LP) 25,000 (NG) Btu/h
Contraction:	Combustible	NonCombustible
Back & Side Clearance:	10" (25.4cm)	10" (25.4cm)

Serial No. FF220123456

conforms To ANSI std Z21.89-2017
certified To CSA std 1.18-2017
Outdoor Cooking Specialty Gas Appliance



The same information must also be completed below to have a signed copy in case the plate on the back of the oven gets damaged.

THIS APPLIANCE HAS BEEN CONVERTED FROM "LPG" TO "NG"

DATE _____

BY (name of organization making this conversion)

ACCEPTING RESPONSIBILITY FOR ENSURING THE PROPER
EXECUTION OF THIS CONVERSION

The NG Regulator, NG Hose and NG Quick Connect are connected as shown below.

Photo 6 - Natural Gas Hose Assembly



6	19	NG Regulator (Optional)	Maxitrol	RV20LF	1/2 PSIG max inlet, 4.0"wc outlet, with ventlimiter. 3/8"NPT x 3/8" NPT	cCSAus
6	20	NG Hose (Optional)	M.B. Sturgis Inc.	DG-3874	Strip wound hose 3/8"ID, with 3/8" CSN (M) plug x 3/8" (F) SAE (gas flare) swivel fitting. 5 psi max. Suitable for outdoor use. 120in length.	cCSAus
			Tejas Smokers	100LP484		cCSAus
6	21	Quick Disconnect (Optional)	M.B. Sturgis Inc.	375	3/8"ID quick disconnect female Socket x 3/8" (F) NPT. 0.5 psi max.	cCSAus
			Tejas Smokers	104MB001		cCSAus