

*Use and care*  
**GUIDE**

---

Built-in MicroDrawer® Microwave Oven

MD24BS  
MD30BS



# Table of CONTENTS

---

|   |           |  |           |
|---|-----------|--|-----------|
| <b>PRECAUTIONS TO AVOID POSSIBLE EXPOSURE TO EXCESSIVE MICROWAVE ENERGY</b> ..... | <b>1</b>  | <b>Other Features</b> .....                        | <b>15</b> |
| <b>Customer Assistance</b> .....  | <b>2</b>  | Multiple Sequence Cooking .....                    | 15        |
| <b>Safety Definitions</b> .....   | <b>3</b>  | Help .....   | 15        |
| <b>IMPORTANT SAFETY INSTRUCTIONS</b> .....  | <b>4</b>  | +30 SECS .....                                     | 15        |
| <b>Information you Need to Know</b> .....   | <b>5</b>  | More or Less Time Adjustment .....                 | 15        |
| About Unpacking and Examining Your MicroDrawer® Microwave Oven .....              | 5         | Settings .....                                     | 15        |
| <b>Grounding Instructions</b> .....   | <b>5</b>  | Audible Signal Elimination .....                   | 15        |
| About Your MicroDrawer® Microwave Oven .....                                      | 5         | Standby Mode .....                                 | 15        |
| About Microwave Cooking .....   | 6         | Auto Start .....                                   | 16        |
| About Utensils and Coverings .....  | 6         | Demonstration Mode .....                           | 16        |
| About Children and the Microwave Oven .....                                       | 7         | <b>Cleaning and Care</b> .....                     | <b>17</b> |
| About Food Safety .....   | 7         | <b>Home Connect®</b> .....                         | <b>17</b> |
| About Foods .....   | 7         | <b>Before You Call for Service</b> .....           | <b>18</b> |
| <b>Part Names</b> .....   | <b>8</b>  | <b>Statement of Limited Product Warranty</b> ..... | <b>19</b> |
| <b>Before Operating</b> .....   | <b>9</b>  | <b>THERMADOR® Support</b> .....                    | <b>21</b> |
| To Set the Clock .....  | 9         |  |           |
| To Set the Timer .....  | 9         |  |           |
| Stop/Clear .....  | 9         |  |           |
| To Open or Close MicroDrawer® Microwave Oven .....                                | 9         |  |           |
| To Lock the Control Panel .....   | 9         |  |           |
| To Connect to Wi-Fi .....   | 10        |  |           |
| <b>MicroDrawer® Microwave Oven Cooking</b> .....                                  | <b>10</b> |  |           |
| Time Cooking .....  | 10        |  |           |
| To Set Power Level .....  | 10        |  |           |
| Sensor Settings .....   | 10        |  |           |
| Popcorn/Sensor Reheat .....   | 11        |  |           |
| Sensor Cooking .....  | 12        |  |           |
| Defrost .....   | 13        |  |           |
| Manual Defrost .....  | 13        |  |           |
| More Modes .....  | 14        |  |           |

*This THERMADOR Appliance is made by*  
**BSH Home Appliances Corporation**  
 1901 Main Street, Suite 600  
 Irvine, CA 92614

---

*Questions?*  
**1-800-735-4328**  
[www.thermador.com](http://www.thermador.com)  
*We look forward to hearing from you!*



## **PRECAUTIONS TO AVOID POSSIBLE EXPOSURE TO EXCESSIVE MICROWAVE ENERGY**

- (1)** Do not attempt to operate this appliance with the door open since open-door operation can result in harmful exposure to microwave energy. It is important not to defeat or tamper with the safety interlocks.
- (2)** Do not place any object between the appliance front face and the door or allow soil or cleaner residue to accumulate on sealing surfaces.
- (3)** Do not operate the appliance if it is damaged. It is particularly important that the appliance door close properly and that there is no damage to the:
  - door (bent),
  - hinges and latches (broken or loosened),
  - door seals and sealing surfaces.
- (4)** The appliance should not be adjusted or repaired by anyone except properly authorized service personnel. Improper installation, service or maintenance can cause injury or property damage. Refer to this manual for guidance. Refer all servicing to a factory authorized service center.

---

# Customer Assistance

To aid in any future assistance concerning this appliance, please record the model and serial numbers located on the unit, and other relevant information in the spaces provided below. Please retain this information for future reference.

Model number \_\_\_\_\_ Serial number \_\_\_\_\_

Date of purchase \_\_\_\_\_ / \_\_\_\_\_ / \_\_\_\_\_

Dealer \_\_\_\_\_ Telephone \_\_\_\_\_

Servicer \_\_\_\_\_ Telephone \_\_\_\_\_

To obtain the name and address of the nearest Thermador® Authorized Service Center, please contact:

BSH Home Appliances Corporation  
1901 Main Street, Suite 600  
Irvine, CA 92614  
1-800-735-4328

Please provide the following information when you write or call: model number, serial number, date of purchase, your complete mailing address (including zip code), your daytime telephone number (including area code) and description of the problem.

**Website: [www.thermador.com](http://www.thermador.com)**

# Safety Definitions

---

## **WARNING**

---

This indicates that death or serious injuries may occur as a result of non-observance of this warning.

---

## **CAUTION**

---

This indicates that minor or moderate injuries may occur as a result of non-observance of this warning.

---

**NOTICE:** This indicates that damage to the appliance or property may occur as a result of non-compliance with this advisory.

**Note:** This alerts you to important information and/or tips.

---

## **WARNING**

---

Failure to follow the warnings in this manual could result in a fire or explosion causing property damage, personal injury or death. To reduce the risk of fire, electric shock, exposure to excessive microwave energy or injury, use only as intended and take the following precautions.

---

# **IMPORTANT SAFETY INSTRUCTIONS**

## **READ AND SAVE THESE INSTRUCTIONS**

**IMPORTANT** Read all instructions carefully before installation and operation. Keep this Use and Care Manual for future use. Thermador Drawer Microwave is manufactured in compliance with the relevant safety standard.

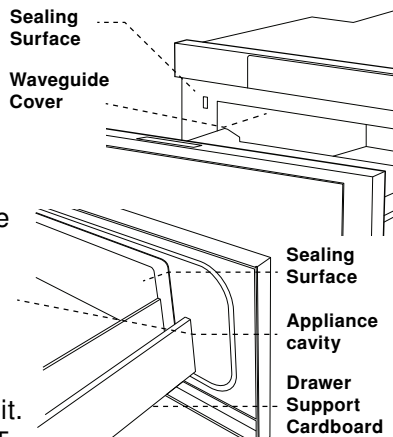
When using electrical appliances, take safety precautions, including the following.

- 1 Read all instructions before using the appliance.
  - 2 Read and follow the specific **PRECAUTIONS TO AVOID POSSIBLE EXPOSURE TO EXCESSIVE MICROWAVE ENERGY** on page 3.
  - 3 This appliance must be properly grounded. Read and follow the specific **GROUNDING INSTRUCTIONS** on page 5.
  - 4 Install or locate this appliance only in accordance with the provided Installation Manual. Have the installer identify the location of the circuit breaker or fuse. Mark it for easy reference. To prevent accidents and achieve optimal ventilation, ensure sufficient space around the cooking area.
  - 5 Some products in sealed containers, such as whole eggs and closed glass jars, can explode and should not be heated in this microwave oven.
  - 6 Use this appliance only for its intended purpose as described in this manual. This appliance is designed for built-in household use only. Do not use to heat a room. Do not use corrosive chemicals or vapors in this appliance. This appliance is specifically designed to heat, cook or dry food. It is not designed for industrial or laboratory use.
  - 7 **HOT CONTENTS CAN CAUSE SEVERE BURNS. DO NOT ALLOW CHILDREN TO USE THE MICROWAVE.** Use caution when removing hot items.
  - 8 Do not cover or block any openings on the appliance.
  - 9 Do not store or use this appliance outdoors or in areas near water, such as near a kitchen sink, in a wet basement, near a swimming pool or similar locations.
  - 10 Do not immerse the cord or plug in water. Keep the cord away from heated surfaces.
  - 11 Keep fingers and clothes clear of drawer guides when the drawer is opened or closed. Fingers or clothes could be caught in the guides when the drawer is closed.
  - 12 Food and containers must be shorter in height than the drawer. Refer to the height of the side walls of the drawer.
  - 13 Use only mild, nonabrasive soaps or detergents applied with a sponge or soft cloth when cleaning the sealing surfaces that come together on closing the drawer. See **Cleaning and Care** on page 19.
  - 14 To reduce the risk of fire in the appliance cavity, take the following precautions.
    - a. Do not overcook food.
    - b. Carefully attend the appliance when paper, plastic or other combustible materials are placed inside the appliance to facilitate cooking.
    - c. Remove wire twist-ties from paper or plastic bags before placing bag in appliance.
    - d. Do not use the cavity for storage purposes. Do not leave paper products, cooking utensils or food in the appliance when not in use.
- If materials inside the appliance ignite, keep the drawer closed, touch the **stop/clear** key twice to cancel the cooking program and shut off power at the fuse or circuit breaker panel.
- 15 Liquids, such as water, coffee or tea, are able to be overheated beyond the boiling point without appearing to be boiling due to surface tension of the liquid. Visible bubbling or boiling when the container is removed from the appliance is not always present. This could result in **VERY HOT LIQUIDS SUDDENLY BOILING OVER WHEN A SPOON OR OTHER UTENSIL IS INSERTED INTO THE LIQUID.**  
To reduce the risk of injury to persons, take the following precautions.
    - a. Do not overheat liquids.
    - b. Stir liquids both before and halfway through heating.
    - c. Do not use straight-sided containers with narrow necks. Use wide-mouthed containers.
    - d. After heating allow the container to stand in the appliance for at least 20 seconds before removing.
    - e. Use extreme care when inserting a spoon or other utensil into liquids after heating.
  - 16 Do not repair or replace any part of this appliance unless specifically recommended in this manual. If the appliance light fails, contact Thermador Customer Support.
  - 17 Do not use regular cooking thermometers in the appliance. Most cooking thermometers contain mercury and may cause electric arc, malfunction or damage to the appliance.
  - 18 To avoid pacemaker malfunction, consult physician or pacemaker manufacturer about effects of microwave energy on pacemaker.
  - 19 Do not store or use flammable or combustible materials, gasoline or other flammable vapors and liquids in the vicinity of this appliance.
  - 20 Use caution when removing hot items. Use only dry potholders. Moist or damp potholders on hot surfaces may cause burns from steam. Do not let potholders touch hot surfaces or radiant surfaces. Do not use towels or other bulky cloth.

# Important Information

## About Unpacking And Examining The Appliance

- 1 Remove all packing materials from inside the appliance. Remove the feature sticker, if there is one, from the outside of the appliance. Remove the drawer support cardboard from the unit.



**IMPORTANT: DO NOT REMOVE THE WAVEGUIDE COVER LOCATED ON THE TOP OF THE APPLIANCE CAVITY.**

- 2 Check the drawer for any damage, such as misaligned or bent drawer, damaged drawer seals and sealing surfaces, broken or loose drawer guides and dents inside the cavity or on the front side of the drawer. If there is any damage, do not operate the appliance. Contact your dealer or Thermador Customer Support.

### • CONDITION OF UNIT

Do not operate any appliance with a damaged cord or after the appliance malfunctions or has been damaged in any manner. Return the appliance to the nearest authorized service facility for examination, repair or adjustment.

### ▲ WARNING

#### SERVICE AND REPAIR WARNING

Do not repair or replace any part of the appliance. If the display, appliance or touch controls fail, consult a Thermador Authorized Servicer.

### • RADIO OR TV INTERFERENCE

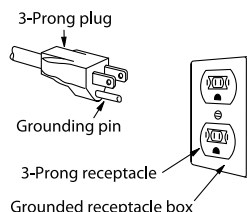
If any interference to your radio or TV is caused by the Drawer Microwave, check if the appliance is on a different electrical circuit, relocate the radio or TV as far away from the appliance as feasible or check position and signal of receiving antenna.

## GROUNDING INSTRUCTIONS

This appliance must be grounded. The Drawer Microwave is equipped with a cord having a grounding wire with a grounding plug. It must be plugged into a wall receptacle that is properly installed and grounded in accordance with the National Electrical Code and local codes and ordinances. In the event of an electrical short circuit, grounding reduces risk of electric shock by providing an escape wire for the electric current.

If you have any questions about the grounding or electrical instructions, consult a qualified electrician.

### Permanent and Correct Installation



### ▲ WARNING

Improper use of the grounding plug can result in a risk of electric shock. **Do not use an extension cord. If the power supply cord is too short, have a qualified electrician install an outlet near the appliance.**

## About The Drawer Microwave

### • ABSORB MICROWAVE ENERGY

When the Drawer Microwave is in use, ALWAYS have food in the cavity to absorb the microwave energy. The Drawer Microwave is for food preparation only. It should not be used to dry clothes, newspapers, or other non-food items.

### • OPEN AND CLOSE CAREFULLY

When opening or closing the Drawer Microwave quickly, food in the appliance may be spilled. See **Cleaning and Care** on page 19.

### ▲ WARNING

#### WARM EXTERIOR IS NORMAL

It is normal for the exterior of the appliance to be warm to the touch when cooking or reheating.

#### DO NOT BLOCK VENT

NEVER cover or obstruct the vent over and under the Drawer Microwave. During microwave use, steam may come from the left side lower vent. Check the vent area after each use and wipe it down if needed.

### • CONDENSATION IS NORMAL

It is normal for microwave use to produce condensation, the amount of which is related to food moisture content and room humidity.

### • MAGNETRON CYCLING IS NORMAL

The magnetron can be heard cycling on and off during microwave use with power levels below 100%.

### • POWER RATING IS 950 WATTS

This Drawer Microwave is rated 950 watts by using the IEC Test Procedure. In using recipes or package directions, check food a minute or two before the minimum time and add time accordingly.

---

# Information You Need To Know

## About Unpacking and Examining Your MicroDrawer® Microwave Oven

- 1 Remove all packing materials from inside the MicroDrawer® Microwave Oven. Remove the drawer support cardboard from the unit. **DO NOT REMOVE THE WAVEGUIDE COVER**, which is located on the top of the MicroDrawer® Microwave Oven.
- 2 Remove the feature sticker, if there is one.  
**NOTICE:** Check the drawer for any damage, such as misaligned or bent drawer, damaged drawer seals and sealing surfaces, broken or loose drawer guides and dents inside the cavity or on the front side of the drawer. If there is any damage, do not operate the MicroDrawer® Microwave Oven and contact your dealer or a THERMADOR® AUTHORIZED SERVICER.

### • CONDITION OF UNIT

Do not operate any appliance with a damaged cord or after the appliance malfunctions or has been damaged in any manner. Return the appliance to the nearest authorized service facility for examination, repair or adjustment.

### • SERVICE AND REPAIR WARNING

Do not repair or replace any part of the appliance. If the display, oven or touch controls fail, consult a Thermador Authorized Servicer.

### • RADIO OR TV INTERFERENCE

If any interference to your radio or TV is caused by the MicroDrawer® Microwave Oven, check if the appliance is on a different electrical circuit, relocate the radio or TV as far away from the appliance as feasible or check position and signal of receiving antenna.

## GROUNDING INSTRUCTIONS

This appliance must be grounded. The MicroDrawer® Microwave Oven is equipped with a cord having a grounding wire with a grounding plug. It must be plugged into a wall receptacle that is properly installed and grounded in accordance with the National Electrical Code and local codes and ordinances. In the event of an electrical short circuit, grounding reduces risk of electric shock by providing an escape wire for the electric current.

---

### WARNING

Improper use of the grounding plug can result in a risk of electric shock. Do not use an extension cord. If the power supply cord is too short, have a qualified electrician install an outlet near the appliance.

- 
- If you have any questions about the grounding or electrical instructions, consult a qualified electrician.

## About Your MicroDrawer® Microwave Oven

### • ABSORB MICROWAVE ENERGY

When the MicroDrawer® Microwave Oven is in use, ALWAYS have food in the cavity to absorb the microwave energy. The MicroDrawer® Microwave Oven is for food preparation only. It should not be used to dry clothes or newspapers.

### • OPEN AND CLOSE CAREFULLY

When opening or closing the MicroDrawer® Microwave Oven quickly, food in the oven may be spilled. See **Cleaning And Care** on page 15.

### • WARM EXTERIOR IS NORMAL

It is normal for the exterior of the appliance to be warm to the touch when cooking or reheating.

### • CONDENSATION IS NORMAL

It is normal for microwave use to produce condensation, the amount of which is related to food moisture content and room humidity.

### • DO NOT BLOCK VENT

NEVER cover or obstruct the vent over and under the MicroDrawer® Microwave Oven. During microwave use, steam may come from the left side lower vent. Check the vent area after each use and wipe it down if needed.

### • MAGNETRON CYCLING IS NORMAL

The magnetron can be heard cycling on and off during microwave use with power levels below 100%.

### • POWER RATING IS 950 WATTS

This MicroDrawer® Microwave Oven is rated 950 watts by using the IEC Test Procedure. In using recipes or package directions, check food a minute or two before the minimum time and add time accordingly.

## About Microwave Cooking

### • ARRANGE FOOD CAREFULLY

Place the thickest parts of the food toward the outside of the dish.

### • WATCH COOKING TIME

When following recipes or package instructions, check food for doneness a minute or two before the minimum time and add time as needed.

# Information You Need To Know

## About Food Safety

Cook foods to safe temperatures recommended by the United States Department of Agriculture (USDA). To check internal temperature of foods to determine doneness, insert a meat thermometer in a thick or dense area away from fat or bone.

### ▲ WARNING

NEVER leave a thermometer in the food during microwave cooking unless the thermometer is approved for microwave use.

|   |   |              |
|---|---|--------------|
| fish  | - | 145°F (63°C) |
| pork, ground beef/veal/lamb, egg dishes   | - | 160°F (71°C) |
| whole, pieces and ground turkey/chicken/duck, leftover, ready-to-reheat refrigerated, deli and carry-out food | - | 165°F (74°C) |

## About Foods

| Food                                  | Do   | Do Not  |
|---------------------------------------|--|---|
| Eggs, sausages, fruits and vegetables | <ul style="list-style-type: none"> <li>Puncture egg yolks before cooking to prevent bursting.</li> <li>Pierce skins of potatoes, apples, squash, hot dogs and sausages so steam escapes.</li> </ul>  | <ul style="list-style-type: none"> <li>Do not cook eggs in shells.</li> <li>Do not reheat whole eggs.</li> <li>Do not dry nuts or seeds in shells.</li> </ul>   |
| Popcorn                               | <ul style="list-style-type: none"> <li>Use popcorn specially packaged for microwave cooking.</li> <li>Listen for the popping of corn to slow to 1 or 2 seconds between pops to avoid overcooking.</li> <li>Use the special Popcorn feature by touching the <b>POPCORN</b> key.</li> </ul>                                | <ul style="list-style-type: none"> <li>Do not pop corn in regular brown paper bags or glass bowls.</li> <li>Do not exceed the maximum cooking time listed in the package instructions.</li> </ul>   |
| Baby food                             | <ul style="list-style-type: none"> <li>Transfer baby food to a small dish and heat carefully, stirring often.</li> <li>Check temperature before serving. Test temperature of bottles on your wrist before serving.</li> <li>Attach nipples to bottles <b>AFTER</b> heating. Shake well before serving.</li> </ul>        | <ul style="list-style-type: none"> <li>Do not heat disposable bottles.</li> <li>Do not heat bottles with nipples attached.</li> <li>Do not heat baby food in original jars.</li> </ul>  |
| General                               | <ul style="list-style-type: none"> <li>Cut filled baked goods after heating to release steam.</li> <li>Stir liquids briskly before and after heating to avoid eruption.</li> <li>Use a deep bowl when cooking liquids and cereals to prevent boil-overs. Refer to the height of the side walls of the drawer.</li> </ul> | <ul style="list-style-type: none"> <li>Do not heat or cook in closed glass jars or airtight containers.</li> <li>Do not use the microwave for canning, as harmful bacteria may not be destroyed.</li> <li>Do not deep-fat fry in the microwave.</li> <li>Do not dry wood, gourds, herbs or wet papers.</li> </ul> |

## About Children and the Drawer Microwave

### ▲ WARNING

HOT CONTENTS CAN CAUSE SEVERE BURNS. DO NOT ALLOW CHILDREN TO USE THE MICROWAVE OVEN. Use caution when removing hot items. Failure to monitor children can result in burns or serious injury to children. Children and pets should not be left alone or unattended in the area where the appliance is in use. They should never be allowed to play in its vicinity, whether or not the appliance is in use.

When children become old enough to use the appliance, it is the responsibility of the parents or legal guardians to ensure they are supervised and instructed in safe practices by qualified persons. See **To Lock the Control Panel** on page 9.

### Proposition 65 Warning:

This product may contain a chemical known to the State of California, which can cause cancer or reproductive harm. Therefore, the packaging of your product may bear the following label as required by California:

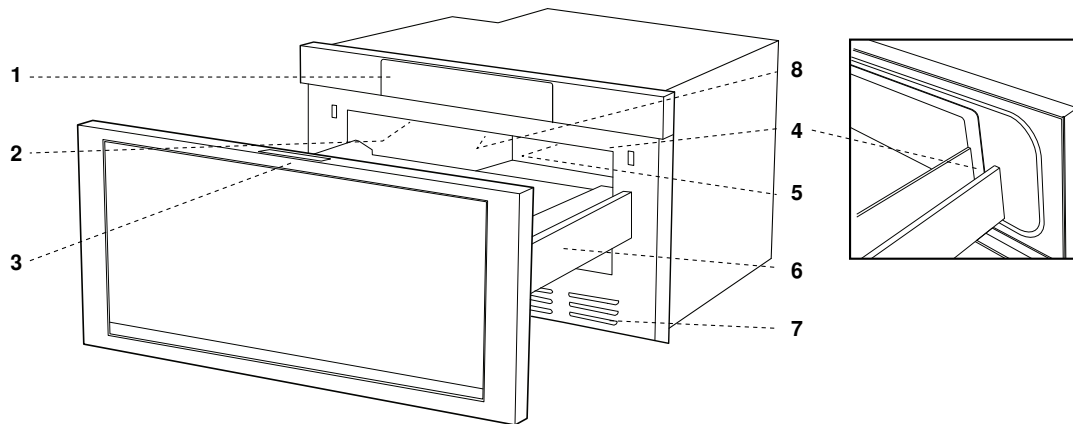
#### STATE OF CALIFORNIA PROPOSITION 65 WARNING:

##### ▲ WARNING

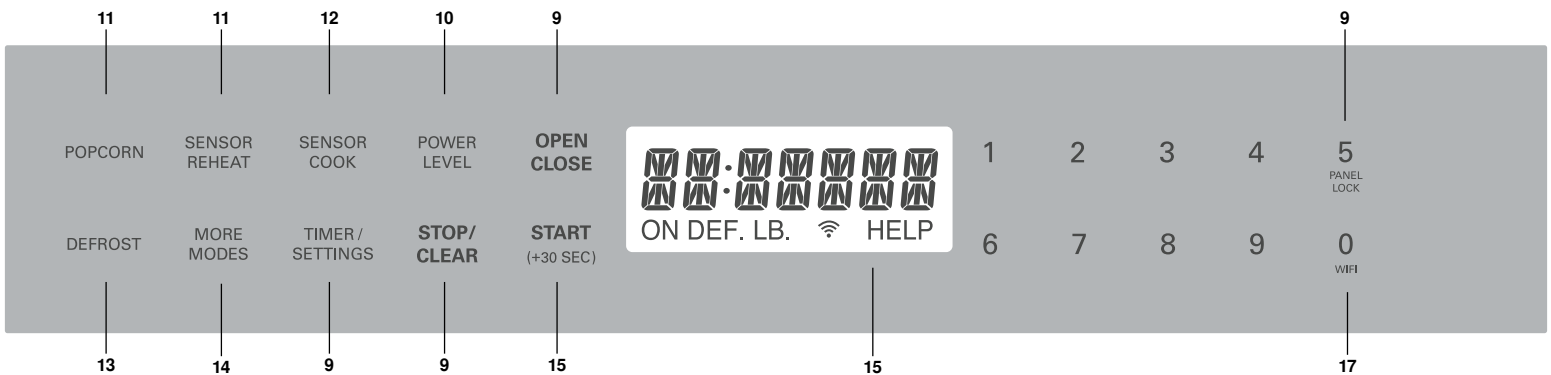
Cancer and Reproductive Harm - [www.P65Warnings.ca.gov](http://www.P65Warnings.ca.gov)

# Part Names

## MICRODRAWER® MICROWAVE OVEN



- 1 Control panel
- 2 Waveguide cover DO NOT REMOVE
- 3 Menu label
- 4 Drawer sealing surfaces
- 5 Drawer light
- 6 Drawer guides
- 7 Vent
- 8 Name plate: open the drawer fully. The label is beyond the back wall of the microwave oven cavity facing up from the flat surface.



Numbers next to the keysheet illustration indicate pages on which there are feature descriptions and usage information.

## MENU LABEL

| SENSOR COOK      |                            | DEFROST             | MORE MODES             |                                |
|------------------|----------------------------|---------------------|------------------------|--------------------------------|
| 1 Baked Potatoes | 6 Fresh Vegetables: Quick  | 1 Ground Meat       | 1 Melt Butter          | 7 Beverage Reheat              |
| 2 Sweet Potatoes | 7 Fresh Vegetables: Longer | 2 Steaks/Chops      | 2 Melt Chocolate       | 8 Hot Water                    |
| 3 Fish/Seafood   | 8 Frozen Vegetables        | 3 Boneless Poultry  | 3 Soften Ice Cream     | 9 Hot Cereal                   |
| 4 Brown Rice     | 9 Ground Meat              | 4 Bone-in Poultry   | 4 Soften Cream Cheese  | 10 Reheat Fresh Rolls/Muffins  |
| 5 White Rice     | 10 Frozen Entrees          | 5 Roast             | 5 Warm Syrup           | 11 Reheat Frozen Rolls/Muffins |
|                  |                            | 6 Casserole or Soup | 6 Warm Dessert Topping | 12 Keep Warm                   |

TLAB-B158MRFR0

# Before Operating

Before operating your new Drawer Microwave, read and understand this Use and Care manual completely. Ensure the appliance is properly installed to all instructions included in the Installation Manual and ensure all protective packaging materials and tape have been completely and correctly removed.

To operate, follow these steps:

- 1 Plug in the Drawer Microwave.

ENJOY YOUR MICRO- WAVE TOUCH CLEAR appears on the display.

- 2 Touch the **stop/clear** key.

## To Set the Clock

- 1 Touch the **timer/settings** key. TO SET CLOCK ENTER TIME appears on the display.

- 2 Use **number** keys to enter time of day. TOUCH CLOCK appears on the display.

- 3 Touch the **timer/settings** key to accept entered time of day.

## To Set The Timer

- 1 Touch the **timer/settings** key two times. TO SET TIMER ENTER TIME appears on the display.

- 2 Use **number** keys to enter time. TOUCH TIMER appears on the display. The time counts down.

- 3 Touch the **start (+30 secs)** key to cancel the timer. An audible signal will sound when the countdown completes.

## To Open or Close Drawer Microwave

Always press the **Open** or **Close** key on the control panel to open or close the drawer. Do not push or pull the drawer by hand, except in case of emergency, such as during a power failure. If necessary, push or pull slowly.

## Stop/Clear

Touch the **stop/clear** key to:

- erase a mistake
- cancel the timer
- pause heating
- return the time of day to the display
- cancel a program
- cancel timed cooking

## Power Outage

If the electrical supply to your Drawer Microwave should be interrupted, the display will intermittently show ENJOY YOUR MICRO- WAVE TOUCH CLEAR after the power is reinstated. If this occurs during cooking, the program will be erased. The time of day will also be erased. Simply touch the **stop/clear** key and reset the clock.

## To Lock the Control Panel

The Panel Lock prevents unwanted drawer operation, such as by small children. The Drawer Microwave can be set so that the control panel and the automatic door mechanism are deactivated or locked.

### • TO LOCK

Touch the number **5** and hold for 3 seconds. LOCK ON appears on the display.

### • TO UNLOCK

Touch the number **5** and hold for 3 seconds. LOCK OFF appears on the display.

The Panel Lock is canceled when the electrical power supply to your appliance is interrupted. Set the Panel Lock again when power to the appliance is restored.

## To Connect to Wi-Fi

To turn on Wi-Fi on your appliance, hold "0" for 3 seconds. For instructions on connecting your Drawer Microwave to Wi-Fi, see the separate Quick Connect Guide.

# Microwave Cooking

## Time Cooking

The Drawer Microwave can be programmed for cooking times up to 99 minutes 99 seconds (99.99). Always enter the seconds after the minutes; if there are no seconds in the cooking time, enter two zeros.

- To cook for 5 minutes at 100% power:

- 1** Touch the number keys **5-0-0** to enter cooking time.  
5.00 touch start or touch power level appears on the display.
- 2** Touch the **start (+30 secs)** key for 100% power.  
The timer on the display counts down.

**NOTE:** For best cooking results and to avoid splatters, some foods should be covered. See **About Utensils and Coverings** on page 6 and refer to hints by touching the **timer/settings** key for recommendations. Always allow steam to escape away from face and hands when removing any covering.

## To Set Power Level

There are eleven preset power levels.

Using lower power levels increases the cooking time, which is recommended for foods such as cheese, milk and long slow cooking of meats. Consult a microwave cookbook or recipes for specific recommendations.

- To defrost for 5 minutes at 30% power:
- 1** Touch the number keys **5-0-0** to enter cooking time.  
5.00 TOUCH START OR TOUCH POWER LEVEL appears on the display.
  - 2** Touch the **power level** key 8 times for 30% power.  
P-30 appears on the display.
  - 3** Touch the **start (+30 secs)** key.

| TOUCH POWER LEVEL PAD NUMBER OF TIMES FOR DESIRED POWER | APPROXIMATE PERCENTAGE OF POWER | COMMON WORDS FOR POWER LEVELS |
|---|---------------------------------|-------------------------------|
| POWER LEVEL x 1   | 100%                            | High                          |
| POWER LEVEL x 2   | 90%                             |                               |
| POWER LEVEL x 3   | 80%                             |                               |
| POWER LEVEL x 4   | 70%                             | Medium High                   |
| POWER LEVEL x 5   | 60%                             |                               |
| POWER LEVEL x 6   | 50%                             | Medium                        |
| POWER LEVEL x 7   | 40%                             |                               |
| POWER LEVEL x 8   | 30%                             | Med Low/Defrost               |
| POWER LEVEL x 9   | 20%                             |                               |
| POWER LEVEL x 10  | 10%                             | Low                           |
| POWER LEVEL x 11  | 0%                              |                               |

## Sensor Settings

The sensor is a semi-conductor device that detects the vapor (moisture and humidity) emitted from the food as it heats. The sensor adjusts the cooking times and power levels for various foods and quantities.

### Using Sensor Settings:

- 1 Wait two minutes after initially plugging in the appliance before using a sensor setting.
- 2 Wipe off any moisture from the exterior of the food container and the interior of the microwave cavity before using a sensor setting.
- 3 The sensor works with foods at normal storage temperature. For example, popcorn would be at room temperature.
- 4 Any sensor selection can be programmed with More or Less Time Adjustment. See page 15.
- 5 Foods of different quantities than listed on the menu label can be cooked manually according to instructions found in any microwave cookbook.
- 6 During the first part of sensor use, the food name will appear on the display. Do not open the drawer or touch the **stop/clear** key during this part of the cycle. The measurement of vapor will be interrupted. If this occurs, an error message will appear. To continue cooking, touch the **stop/clear** key and cook manually.

When the sensor detects the vapor emitted from food, the remaining cooking/reheating time appears on the display. At this time, the drawer may be opened to allow for stirring or seasoning of food. When the drawer is opened, the appliance will be in a paused state.

- 7 If the sensor does not detect vapor properly when cooking foods (except popcorn), **ERROR** appears on the display. To continue cooking, touch the **stop/clear** key and cook manually.
- 8 Check food temperature after cooking. If additional time is needed, continue to cook manually.
- 9 Each food has a cooking hint. Touch the **timer/settings** key when the **HELP** indicator is lighted in the display.

## Popcorn / Sensor Reheat

You can pop popcorn and reheat many foods and don't need to calculate cooking time or power level.

Touch the **sensor reheat** key or the **popcorn** key, then touch the **start (+30 secs)** key.

When the sensor detects the vapor emitted from the food, the remainder of cooking/reheating time will appear.

### Note:

- The Popcorn setting has 2 options. Follow directions in the display to choose desired option.

## Popcorn / Sensor Reheat Chart

| Food          | Amount                                     | Procedure   |
|---------------|--|---|
| Popcorn       | Only 1 package at a time                   | Use only popcorn packaged for the microwave. Cook only one package of microwave popcorn at a time and always with the correct side facing up. Do not try to pop unpopped kernels.   |
|               | 2.85 - 3.5 oz<br>(Regular / Regular light) | Touch the <b>popcorn</b> key once for regular size, then touch the <b>start (+30 secs)</b> key.   |
|               | 1.2 - 1.75 oz<br>(Mini or Snack)           | Touch the <b>popcorn</b> key twice for mini or snack size, then touch the <b>start (+30 secs)</b> key.  |
| Sensor Reheat | 4 - 36 oz                                  | Place food in a microwave-safe dish slightly larger than the food to be reheated and cover with a microwave-safe lid, plastic wrap or wax paper. Touch the <b>sensor reheat</b> key, then touch the <b>start (+30 secs)</b> key. After reheating, carefully uncover food aiming steam away from yourself and stir food well. Re-cover food and allow to stand for 2 to 3 minutes. |

## Sensor Cooking

- 1 Touch the **sensor cook** key. SEE LABEL SELECT FOOD NUMBER appears on the display.
- 2 See the Menu Label and touch a **number** key to select a food item.
- 3 Touch the **start (+30 secs)** key. The name of the selected food item and SENSOR COOK appear on the display during vapor measurement. Once vapor has been measured, the cook time appears on the display and counts down.
- 4 Once cooking is complete, instructions such as STIR LET STAND COVERED appear on the display, depending on the food item. See the chart below for more information.

**NOTE:** To heat or cook other foods or foods above or below the quantity listed on the Sensor Cook Chart, cook manually.

### Sensor Cook Chart

| Food                       | Amount         | Procedure   |
|----------------------------|----------------|---|
| 1 Baked Potatoes           | 1 - 6 med.     | Pierce potatoes at least three times each on the top, bottom and sides to allow steam to escape. Place potatoes on paper towel.<br>After cooking, remove potatoes from the appliance, wrap in aluminum foil and let stand for 5 to 10 minutes.  |
| 2 Sweet Potatoes           | 1 - 6 med.     |   |
| 3 Fish/Seafood             | 0.25 - 2.0 lb  | Arrange fish or seafood in a ring in a shallow glass dish (roll fillet edges underneath). Cover with vented microwave-safe plastic wrap.<br>After cooking, leave covered and let stand for 3 minutes.   |
| 4 Brown Rice               | 4 - 16 oz      | Place rice in a large, deep casserole dish and add double quantity of water. For example, for 8 oz of dry rice, use a 64 oz casserole dish and add 16 oz of water. Cover with microwave-safe lid or plastic wrap.<br>After cooking, stir, recover and let stand 3 to 5 minutes or until all liquid has been absorbed. |
| 5 White Rice               | 4 - 16 oz      |   |
| 6 Fresh Vegetables:        |                | Wash fresh vegetables and place in casserole dish. Add no water to freshly washed quick vegetables. For tender vegetables, cover with microwave-safe lid. For tender-crisp vegetables, cover with microwave-safe plastic wrap.<br>After cooking, stir, if possible, re-cover and let stand for 2 to 5 minutes.        |
| Quick broccoli             | 0.25 - 2 lb    |   |
| brussels sprouts           | 0.25 - 2 lb    |   |
| cabbage                    | 0.25 - 2 lb    |   |
| cauliflower (florets)      | 0.25 - 2 lb    |   |
| cauliflower (whole)        | 1 med.         |   |
| spinach                    | 0.25 - 2 lb    |   |
| zucchini                   | 0.25 - 2 lb    |   |
| baked apples               | 2 - 4 med.     |   |
| 7 Fresh Vegetables: Longer |                | Wash fresh vegetables and place in casserole dish. Add 1 to 4 tablespoons water. For tender vegetables, cover with microwave-safe lid. For tender-crisp vegetables, cover with microwave-safe plastic wrap.<br>After cooking, stir, if possible, re-cover and let stand for 2 to 5 minutes.                           |
| carrots (sliced)           | 0.25 - 1.5 lb  |   |
| corn on the cob            | 2 - 4 pieces   |   |
| green beans                | 0.25 - 1.5 lb  |   |
| winter squash (diced)      | 0.25 - 1.5 lb  |   |
| winter squash (halves)     | 1 - 2          |   |
| 8 Frozen Vegetables        | 0.25 - 1.25 lb | Place frozen vegetables in casserole dish. Add no water to frozen vegetables. Cover with microwave-safe lid or plastic wrap.<br>After cooking, stir, if possible, re-cover and let stand for 3 minutes.   |
| 9 Ground Meat              | 0.25 - 2.0 lb  | To cook ground meat patties, place patties on a microwave-safe dish and cover with wax paper. To cook bulk ground meat, place ground meat in a casserole dish and cover with microwave-safe wax paper or plastic wrap.<br>After cooking, leave covered and let stand for 2 to 3 minutes.                              |
| 10 Frozen Entrees          | 6 - 17 oz      | Remove entrée from outer packaging and cover according to package directions.<br>After cooking, leave covered and let stand for 3 minutes.  |

## Defrost

The Defrost feature uses lower power level to gently defrost foods shown in the chart below. Place food on a microwave-safe dish.

- 1 Touch the **defrost** key. SEE LABEL SELECT FOOD NUMBER appears on the display.
- 2 See the Menu Label and touch the **number** keys to select food number. The name of the food item and ENTER WEIGHT appears on the display.
- 3 Touch the **number** keys to enter weight. The entered weight and TOUCH START appears on the display. Touch the **start (+30 secs)** key.
- 4 The appliance will pause so the food can be checked. Open the drawer and follow instructions on the display, such as PULL APART AND REARRANGE. Touch the **start (+30 secs)** key.
5. After each audible signal, turn the food over and touch the **start (+30 secs)** key again.
6. At the end of the defrost cycle, LET STAND COVERED appears on the display. See chart below for recommended standing time.

### Note:

- To defrost other foods or quantities of foods than the ones listed on the menu label, defrost manually. See Manual Defrost below.
- At the end of Defrost cycle, small sections of food may still be icy. Let food stand to continue thawing. Do not cook until all ice crystals are thawed.

## Defrost Chart

| Food                    | Amount                  | Procedure  |
|-------------------------|-------------------------|--|
| 1. Ground Meat          | 8 - 32 oz               | After each audible signal, remove any thawed pieces and touch the <b>start (+30 secs)</b> key again. After defrosting, leave covered and let stand for 5 to 10 minutes.                                  |
| 2. Steaks/<br>Chops     | 8 - 48 oz               | After each audible signal, remove any thawed pieces and touch the <b>start (+30 secs)</b> key again. After defrosting, leave covered and let stand for 10 to 20 minutes.                                 |
| 3. Boneless<br>Poultry  | 8 - 32 oz               | After each audible signal, remove any thawed pieces and touch the <b>start (+30 secs)</b> key again. After defrosting, leave covered and let stand for 10 to 20 minutes.                                 |
| 4. Bone-in<br>Poultry   | 8 - 48 oz               | After each audible signal, remove any thawed pieces and touch the <b>start (+30 secs)</b> key again. After defrosting, leave covered and let stand for 10 to 20 minutes.                                 |
| 5. Roast                | 32 - 64 oz              | Start defrosting with fat side down. After each audible signal, turn over the roast and touch the <b>start (+30 secs)</b> key again. After defrosting, leave covered and let stand for 30 to 60 minutes. |
| 6. Casserole<br>or Soup | 16 - 48 oz<br>8 - 48 oz | After each audible signal, break apart, remove any defrosted parts and touch the <b>start (+30 secs)</b> key again. After defrosting, stir well, re-cover and let stand for 5 to 10 minutes.             |

## Manual Defrost

To defrost other foods or quantities of foods than the ones listed on the Defrost Chart, defrost manually. Use power level 30% to defrost any frozen food, whether raw or previously cooked. Follow the exact 3-step procedure found under **To Set Power Level** on page 10. Estimate defrosting time and touch the **power level** key eight times for 30% power.

Most frozen foods, whether raw or previously cooked, defrost in approximately 4 minutes per pound of food. For example, to defrost 1 pound of spaghetti sauce, defrost for 4 minutes; to defrost 3 pounds of cookie batter, defrost for 12 minutes.

Periodically pause the microwave oven to remove or separate the defrosted portions.

If food is still frozen at the end of the estimated time, set the power level to 30% again and defrost in 1-minute increments until totally defrosted. If frozen food is in microwave-safe plastic containers, defrost only long enough to remove food from plastic and place it in a microwave-safe dish.

## More Modes

More automatically computes the correct cook time and microwave power level for foods shown in the chart below.

- 1 Touch the **more modes** key once. SEE LABEL SELECT FOOD NUMBER appears on the display.
- 2 See the Menu Label and touch the **number** keys to select food number. The name of the food item and quantities appear on the display.
- 3 Touch the **number** keys to select quantity.
- 4 Touch the **start (+30 secs)** key.

### Note:

- More can be programmed with More or Less Time Adjustment. See page 15.
- To cook other foods or foods above or below the quantity allowed on the More Chart, use manual operation.

### More Modes Chart

| Food                           | Amount                        | Procedure  |
|--------------------------------|-------------------------------|--|
| 1 Melt Butter                  | 1 oz or 4 oz                  | Place butter in a glass measuring cup and cover with microwave-safe plastic wrap.  |
| 2 Melt Chocolate               | 8 oz chips or 1 square (1 oz) | Place chocolate in a glass measuring cup and cover with microwave-safe plastic wrap.   |
| 3 Soften Ice Cream             | 16 oz or 48 oz                | Do not cover.  |
| 4 Soften Cream Cheese          | 3 oz or 8 oz                  | Do not cover.  |
| 5 Warm Syrup                   | 2 oz or 4 oz                  | Place syrup in a glass measuring cup. Do not cover.  |
| 6 Warm Dessert Topping         | 2 oz or 4 oz                  | Place topping in a glass measuring cup. Do not cover.  |
| 7 Reheat Beverage              | 4 - 16 oz                     | To restore a cooled drink to a hot drinking temperature, stir the beverage and place it in the drawer.   |
| 8 Hot Water                    | 8 - 48 oz                     | To heat cold water to a temperature just below boiling, stir the water and place it in the drawer.   |
| 9 Hot Cereal                   | 4 - 24 oz                     | To heat oatmeal, oat bran, cream of wheat, farina or wheatena from bulk or individual packets, follow package directions for the correct amount of water or milk. To prevent boil-overs, use a large container. Stir the cereal and liquid and place it in the drawer.   |
| 10 Reheat Fresh Rolls/Muffins  | 1 - 8 pieces                  | To warm fresh rolls, muffins, biscuits or bagels from room or refrigerator arrange rolls on a plate and cover with a paper towel. For refrigerated items or larger, oversized items, double the entered quantity to ensure proper serving temperature.   |
| 11 Reheat Frozen Rolls/Muffins | 1 - 8 pieces                  | To warm frozen rolls, muffins, biscuits or bagels from frozen, arrange rolls on a plate and cover with a paper towel.  |
| 12 Keep Warm                   |                               | Use the Keep Warm feature to keep food warm for up to 30 minutes. The feature can be used directly or in sequence with timed cooking. Keep Warm uses a very low power level to keep food warm without cooking. The Keep Warm feature cannot be programmed for longer than 30 minutes and cannot be programmed with Popcorn, Sensor Reheat, Sensor Cook or Defrost. |

---

## Other Features

### Multiple Sequence Cooking

Your Drawer Microwave can be programmed for up to 4 automatic cooking sequences, switching from one power level setting to another automatically.

Sometimes cooking directions tell you to start on one power level and then change to a different power level. Your Drawer Microwave can do this automatically.

To set multiple cooking sequences, enter the cooking time and set the power level, then enter the next cooking time and corresponding power level. This procedure can be repeated up to four times. When all sequences are programmed, touch the **start (+30 secs)** key.

### Help

Many settings and menu items have a cooking hint. For example, cooking hints for Sweet Potatoes are:

- PIERCE SKIN
- PLACE ON PAPER TOWEL
- QTY RANGE 1 - 6 PIECES

To view the hint, touch the **timer/settings** key whenever HELP is illuminated on the interactive display.

### +30 secs

To cook for thirty seconds at 100% power, simply touch the **start (+30 secs)** key. Extend cooking time in multiples of thirty seconds by repeatedly touching the **+30 secs** key during manual cooking.

#### Notes:

- +30 secs cannot be used with Sensor settings, More or Defrost.
- +30 secs cannot be used after a cooking function has been canceled by touching the stop/clear key twice. To use +30 secs after a cooking function has been canceled, simply open and close the microwave oven to reset.

### More or Less Time Adjustment

To increase cooking time for any of the Sensor Reheat, Sensor Cook, Defrost, Popcorn or More settings, touch the **power level** key once after touching your selection. The display will show **MORE**.

To decrease cooking time, touch the **power level** key twice after touching your selection. The display will show **LESS**.

---

# Settings

If the electrical power supply to the Drawer Microwave should be interrupted, the display will intermittently show **ENJOY YOUR MICRO- WAVE TOUCH CLEAR** after the power is reinstated. If this occurs, the current settings will be erased. Simply touch the **stop/clear** key and reset.

## Audible Signal Elimination

At the end of timed cook, beeps will sound. The audible signal can be turned off if quiet operation is preferred.

### To Turn Off Sound

- 1 Touch the **timer/settings** key eight times.  
SOUND OFF? TOUCH START appears on the display.
- 2 Touch the **start (+30 secs)** key.  
SOUND OFF appears on the display.

To restore sound, follow the same process.

## End Of Cooking Reminder

At the end of timed cooking, the microwave will signal ever 10 seconds for the first minute, then every 3 minutes for up to an hour or until the **stop/clear** key is touched.

### To Turn Off Reminder

- 1 Touch the **timer/settings** key nine times.  
REMI ND SIGNAL OFF? TOUCH START appears on the display.
- 2 Touch the **start (+30 secs)** key.  
REMI ND SIGNAL OFF appears on the display.

To restore the reminder, follow the same process.

## Standby Mode

This microwave will go into standby mode after a period of inactivity. The backlight of the display will automatically dim after 3 minutes if the unit has not been in operation. If the display is in standby mode, simply touch the control panel or open/close the door to return the backlight to maximum brightness.

## Auto Start

To program the Drawer Microwave to begin cooking automatically at a designated time of day, follow this procedure.

---

## CAUTION

---

To maintain food safety, do not leave food in the appliance for more than one hour before or after cooking.

---

- 1 Touch the **timer/settings** key ten times.  
AUTO START TOUCH START appears on the display.
- 2 Touch the **start (+30 secs)** key.  
ENTER START TIME appears on the display.
- 3 Enter the start time. The start time and TOUCH CLOCK appears on the display.
- 4 Touch the **timer/clock** key.  
ENTER COOKING TIME appears on the display.
- 5 Touch the **number** keys to enter cooking time. The cooking time and TOUCH START OR TOUCH POWER LEVEL appears on the display. If the desired power level is below 100%, set the power level.
- 6 Touch the **start (+30 secs)** key.

## Demonstration Mode

### To select Demo Mode

- 1 Touch the **timer/settings** key eleven times.  
DEMO ON? HOLD START 3 SEC appears on the display.
- 2 Touch the **start (+30 secs)** key for 3 seconds. DEMO ON.

### To cancel Demo Mode

- 1 Touch the **timer/settings** key eleven times.  
DEMO OFF? TOUCH START appears on the display.
- 2 Touch the **start (+30 secs)** key.  
DEMO OFF appears on the display.

### Note:

- Drawer Microwave doesn't heat in Demo Mode.
- Display counts down quickly.

---

# Home Connect®

This appliance may be network-capable. Connecting your appliance to a mobile device lets you control its functions via the Home Connect® app, adjust its basic settings and monitor its operating status.

The Home Connect® services are not available in every country. The availability of the Home Connect® function depends on the availability of Home Connect® services in your country. You can find information on this at: [www.home-connect.com](http://www.home-connect.com).

The Home Connect® app guides you through the entire registration process. Follow the instructions in the Home Connect® app to implement the settings.

## Notes:

- Note the safety information in this instruction manual and ensure that it is also observed when operating the appliance using the Home Connect® app.
- Operating the appliance on the appliance itself always takes priority. It is not possible to operate the appliance using the Home Connect® app during this time.

## Setting up Home Connect™

### Requirements

- The appliance is connected to the power supply and is switched on.
  - You have a mobile device with a current version of the iOS or Android operating system, e.g. a smartphone.
  - The mobile device and the appliance are within range of your home network's Wi-Fi signal.
- o 1 Download the Home Connect™ app.
  - o 2 Open the Home Connect™ app.
  - o 3 Follow the instructions in the Home Connect™ app.

---

### WARNING REMOTE OPERATION

---

This appliance is configurable to allow remote operation at any time.

Do not store any flammable materials or temperature sensitive items inside, on top or near surface units of the appliance.

---

### Notes

- Some operating modes can only be started on the Drawer Microwave itself.

### Setting Remote Control

**1** Touch the **timer/settings** key three times.  
REMOTE CONTROL OFF TOUCH START appears on the display.

**2** Touch the **start (+30 secs)** key.  
REMOTE CONTROL ON appears on the display.

To turn Remote Control off, follow the same process.

## Home Connect™ Settings

Adapt Home Connect™ to your needs. You can find the Home Connect™ settings in the basic settings for your appliance. Which settings the display shows will depend on whether Home Connect™ has been set up and whether the appliance is connected to your home network.

### Activating Wi-Fi

You can use the Home Connect functions if Wi-Fi is activated.

- 1 Hold the “0” key on the control panel for 3 seconds.
- 2 “ENABLING WIFI” will be displayed
- 3 Once connected, “WIFI ON WAIT FOR PAIRING” will be displayed. The Drawer Microwave has successfully activated Wi-Fi and is ready to be connected to your home Wi-Fi network, and paired with the Home Connect™ app.

### Pairing Drawer Microwave to app

If the Home Connect™ app is installed on your mobile device, you can connect it to your Drawer Microwave.

**Requirement:** The appliance is connected to the network.

- 1 Hold the “0” key on the control panel for 3 seconds.
- 2 “ENABLING WIFI” will be displayed
- 3 Once connected, “WIFI ON WAIT FOR PAIRING” will be displayed. The Drawer Microwave has successfully been connected to Wi-Fi and is ready to be paired with the Home Connect™ app.
- 4 Open the Home Connect™ app and follow the instructions for adding an appliance.

### Remote Control

If you want to start a Drawer Microwave operation using your mobile device, you must activate Remote Control.

### Disconnecting from the network

You can disconnect your Drawer Microwave from the network at any time.

**Note:** If your Drawer Microwave is disconnected from the network, it is not possible to operate the Drawer Microwave using Home Connect™.

- 1 Hold the “0” key on the control panel for 3 seconds.
- 2 “WIFI OFF” will be displayed. The Drawer Microwave has been successfully disconnected from the network.

### Remote diagnostics

Customer Service can access your appliance via Remote Diagnostics if you ask them to do so, if your appliance is connected to the Home Connect™ server and if Remote Diagnostics is available in the country where you are using the appliance.

**Tip:** Further information and details about the availability of Remote Diagnostics in your country can be found in the Service/Support section of your local website: [www.homeconnect.com](http://www.homeconnect.com).

### Software update

The Drawer Microwave checks at regular intervals whether updates are available for the Home Connect™ software.

To do this, you need to be a registered Home Connect™ user, have installed the app on your mobile device and be connected to the Home Connect™ server.

As soon as a software update is available, you will be informed by the Home Connect™ app, from which you will also be able to download the update. Once the update has been successfully downloaded, you can start installing it via the basic settings of your Drawer Microwave, or the Home Connect™ app if you are on your local area network. The Home Connect™ app will notify you once installation is complete.

### Notes

- You can continue to use your Drawer Microwave as usual while updates are downloading.
- Depending on your personal settings in the app, software updates can also be set to download automatically.
- We recommend that you install security updates as soon as possible.

### Data Protection

Please see the information on data protection.

The first time your appliance is registered on a home network connected to the Internet, your appliance will transmit the following types of data to the Home Connect™ server (initial registration):

- Unique appliance identification (consisting of appliance codes as well as the MAC address of the installed Wi-Fi communication module).
- Security certificate of the Wi-Fi communication module (to ensure a secure data connection).
- The current software and hardware version of your appliance.
- Status of any previous reset to factory settings.

This initial registration prepares the Home Connect™ functions for use and is only required when you want to use the Home Connect™ functions for the first time.

**Note:** Please note that the Home Connect™ functions can be utilized only with the Home Connect™ app. Information on data protection can be called up in the Home Connect™ app.

---

# Cleaning and Care

## Stainless Steel Surface

Always wipe or rub in the direction of the grain. The exterior should be wiped often with a soft damp cloth and polished with a soft dry cloth to maintain its beauty. There are also a variety of products designed especially for cleaning and shining the stainless exterior of the appliance. We recommend that the cleaner be applied to a soft cloth and then carefully used on the stainless exterior rather than sprayed directly on to it. Follow package directions carefully.

## Front side of the Drawer

Wipe the window on both sides with a soft damp cloth to remove any spills or splatters. Metal parts will be easier to maintain if wiped frequently with a soft damp cloth. Avoid the use of spray and other harsh cleaners as they may stain, streak or dull the drawer surface.

## Touch Control Panel

If desired, the touch keys may be deactivated before cleaning. See **To Lock the Control Panel** on page 9. Wipe the panel with a cloth dampened slightly with water only. Dry with a soft cloth. Do not scrub or use any sort of chemical cleaners. Close drawer and follow directions on page 9 for turning Panel Lock off. Touch the **stop/clear** key.

## Interior

Before cleaning the Drawer Microwave, touch and hold the Panel Lock button for 3 seconds to lock the control panel and the automatic door mechanism. The drawer can be locked in either the open or closed position. The display will show **LOCK ON**. This will prevent the drawer from accidentally opening or closing during cleaning. After cleaning, touch and hold the Panel Lock button for 3 seconds to turn the lock off. The display will show **LOCK OFF**.

Cleaning is easy because no heat is generated to the interior surfaces; therefore, there is no baking and setting of spills or splattering. To clean the interior surfaces, including drawer sealing surfaces, wipe with a soft damp cloth. **DO NOT USE ABRASIVE OR HARSH CLEANERS OR SCOURING PADS.** For heavier soil, use mild soap; wipe clean with a soft damp cloth. Do not use any chemical oven cleaners.

## Odor Removal

Occasionally, a cooking odor may remain in the drawer. To remove odor, combine 1 cup water, grated peel and juice of one lemon and several whole cloves in a 2-cup glass microwave-safe measuring cup. Boil for several minutes using 100% power. Leave in the drawer until water cools. Wipe interior with a soft cloth.

## Drawer Microwave Guides

Remove the food crumbs from the drawer guides. Wipe with a soft dry cloth in order to keep the drawer opening and closing smoothly.

## Waveguide Cover

---

### CAUTION

---

The waveguide cover, located on the inside top of the drawer area, is made from mica, so it requires special care. Keep the waveguide cover clean to assure good microwave performance. Carefully wipe with a soft damp cloth any food splatters from the surface of the cover immediately after they occur. Built-up splashes may overheat and cause smoke or possibly catch fire. Do not remove the waveguide cover.

---

## PRODUCT DISPOSAL

This product may not be treated as household waste. To dispose of the appliance, deliver it to an applicable collection point for the recycling of electrical and electronic equipment. Dispose of this product correctly to prevent negative consequences for the environment and human health, which could otherwise be caused by inappropriate waste handling of this product. For more detailed information about recycling of this product, please contact your local city office, your household waste disposal service or the shop where you purchased the product.

---

# Before You Call Thermador Customer Support for Service

Please check the following before calling for service. It may save you time and expense.

| Problem   | Possible cause  | Solution  |
|---|---|---|
| 1 Part or all of Drawer Microwave does not operate. | <ul style="list-style-type: none"><li>• Power cord of Drawer Microwave is not completely connected to the electrical outlet.</li><li>• Power outage.</li><li>• Fuse/circuit breaker doesn't work.</li><li>• Drawer Microwave is in Demo Mode.</li></ul> | <ul style="list-style-type: none"><li>• Make sure the power cord is tightly connected to the outlet.</li><li>• Check house lights to be sure. Call your local electric company for service.</li><li>• Replace the fuse or reset the circuit breaker.</li><li>• See page 16 for how to cancel Demo Mode.</li></ul> |
| 2 Food in Drawer Microwave is not heated.           | <ul style="list-style-type: none"><li>• No power to the appliance.</li><li>• Drawer controls improperly set.</li><li>• Drawer is in Demo Mode.</li></ul>  | <ul style="list-style-type: none"><li>• See Solution for Problem 1.</li><li>• Check if the controls have been properly set.</li><li>• See page 16.</li></ul>  |
| 3 Drawer Microwave light does not work.             | <ul style="list-style-type: none"><li>• Light bulb is loose or burned out.</li></ul>  | <ul style="list-style-type: none"><li>• Call Thermador Customer Support for service. Always have the complete model number and FD number available prior to calling.</li></ul>  |
| 4 Touch controls will not operate.                  | <ul style="list-style-type: none"><li>• Panel Lock is on.</li></ul>   | <ul style="list-style-type: none"><li>• See page 9 to unlock.</li></ul>   |
| 5 Display flashes.                                  | <ul style="list-style-type: none"><li>• Power failure.</li></ul>  | <ul style="list-style-type: none"><li>• Touch the <b>stop/clear</b> key and reset the clock. If the Drawer Microwave was in use, you must reset the cooking function.</li></ul>   |
| 6 Steam from the vent.                              | <ul style="list-style-type: none"><li>• During microwaving, steam may come from the right side of the vent.</li></ul>   |   |

# STATEMENT OF LIMITED PRODUCT WARRANTY

Effective January 1, 2023

## What this Warranty Covers & Who it Applies to

The limited warranty provided by BSH Home Appliances (“Thermador”) in this Statement of Limited Product Warranty applies only to the Thermador appliance sold to you (“Product”), provided that the Product was purchased:

- For your normal, household (non-commercial) use, and has in fact at all times only been used for normal household purposes.
- New at retail from a BSH authorized dealer or directly from BSH (not a display, “as is”, or previously returned model), and not for resale, or commercial use.
- Within the United States or Canada, and has at all times remained within the country of original purchase.

The warranties stated herein apply to the original purchaser of the product warranted herein and to each succeeding owner of the product purchased for ordinary home use during the term of the warranty.

Please make sure to register your Product; while not necessary to effectuate warranty coverage, it is the best way for Thermador to notify you in the unlikely event of a safety notice or product recall.

## How Long the Warranty Lasts

Thermador warrants that the Product is free from defects in materials and workmanship for a period of seven hundred and thirty (730) days from the date of the original delivery. The foregoing timeline begins to run upon the date of the original delivery, and shall not be stalled, tolled, extended, or suspended, for any reason whatsoever. This Product is also warranted to be free from cosmetic defects in material and workmanship such as scratches of stainless steel, paint/porcelain blemishes, chips, dents, or other damage to the finish) of the Product, for a period of sixty (60) days from the date of delivery or closing date for new construction. This cosmetic warranty excludes slight color variations due to inherent differences in painted and porcelain parts, as well as differences caused by kitchen lighting, product location, or other similar factors. This cosmetic warranty specifically excludes any display, floor, “As Is”, or “B” stock appliances.

## Repair/Replace as Your Exclusive Remedy

During this warranty period, Thermador or one of its authorized service providers will repair your Product without charge to you (subject to certain limitations stated herein) if your Product proves to have been manufactured with a defect in materials or workmanship. If reasonable attempts to repair the Product have been made without success, then Thermador will replace your Product (upgraded models may be available to you, in Thermador’s sole discretion, for an additional charge). Nothing in this warranty requires damaged or defective parts to be replaced with parts of a different type or design than the original part. All removed parts and components shall become the property of Thermador at its sole option. All replaced and/or repaired parts shall assume the identity of the original part for purposes of this warranty

and this warranty shall not be extended with respect to such parts. Thermador’s sole liability and responsibility hereunder is to repair manufacturer-defective Product only, using a Thermador authorized service provider during normal business hours. For safety and property damage concerns, Thermador highly recommends that you do not attempt to repair the Product yourself, or use a non-authorized service provider; Thermador will have no responsibility or liability for damage resulting from repairs or work performed by a non-authorized service provider. Authorized service providers are those persons or companies that have been specially trained on Thermador products, and who possess, in Thermador’s opinion, a superior reputation for customer service and technical ability (note that they are independent entities and are not agents, partners, affiliates or representatives of Thermador). Nevertheless, taking your product to be serviced by a repair shop that is not affiliated with or an authorized dealer of Thermador will not void this warranty. Also, using third-party parts will not void this warranty. Notwithstanding the foregoing, Thermador will not incur any liability, or have responsibility, for the Product if it is located in a remote area (more than 100 miles from an authorized service provider) or is reasonably inaccessible, hazardous, threatening, or treacherous locale, surroundings, or environment; in any such event, if you request, Thermador would still pay for labor and parts and ship the parts to the nearest authorized service provider, but you would still be fully liable and responsible for any travel time or other special charges by the service company, assuming they agree to make the service call. Further, to the extent you have installed the Product in a difficult-to-access location or have otherwise installed temporary or permanent fixtures that create barriers to accessing or removing the Product, Thermador will not incur any liability for, or have responsibility, for work or costs associated with moving the Product or otherwise creating access to the Product in order to repair or replace it. All such costs shall be your sole responsibility.

## Out of Warranty Product

Thermador is under no obligation, at law or otherwise, to provide you with any concessions, including repairs, prorates, or Product replacement, once this warranty has expired.

## Warranty Exclusions

The warranty coverage described herein excludes all defects or damage that are not the direct fault of Thermador, including without limitation, one or more of the following:

- Use of the Product in anything other than its normal, customary and intended manner (including without limitation, any form of commercial use, use or storage of an indoor product outdoors, use of the Product in conjunction with air or water-going vessels).
- Any party’s willful misconduct, negligence, misuse, abuse, accidents, neglect, improper operation, failure to maintain, improper or negligent installation, tampering, failure to follow operating instructions, mishandling, unauthorized service (including self-performed “fixing” or exploration of the appliance’s internal workings).

- Adjustment, alteration or modification of any kind.
- A failure to comply with any applicable state, local, city, or county electrical, plumbing and/or building codes, regulations, or laws, including failure to install the product in strict conformity with local fire and building codes and regulations.
- Ordinary wear and tear, spills of food, liquid, grease accumulations, or other substances that accumulate on, in, or around the Product.
- Any external, elemental and/or environmental forces and factors, including without limitation, rain, wind, sand, floods, fires, mud slides, freezing temperatures, excessive moisture or extended exposure to humidity, lightning, power surges, structural failures surrounding the appliance, and acts of God.
- Service calls to correct the installation of your Product, to instruct you how to use your Product, to replace house fuses or correct house wiring or plumbing.
- Removal and replacement of trim or decorative panels that interfere with servicing the Product.
- Damage or defects caused by labor or parts installed by any non-authorized service provider, unless approved by Thermador before service is performed.

In no event shall Thermador have any liability or responsibility whatsoever for damage to surrounding property, including cabinetry, floors, ceilings, and other structures or objects around the Product. Also excluded from this warranty are Products on which the serial numbers have been altered, defaced, or removed; service visits to teach you how to use the Product, or visits where there is nothing wrong with the Product; correction of installation problems (you are solely responsible for any structure and setting for the Product, including all electrical, plumbing or other connecting facilities, for proper foundation/flooring, and for any alterations including without limitation cabinetry, walls, floors, shelving, etc.); and resetting of breakers or fuses.

TO THE EXTENT ALLOWED BY LAW, THIS WARRANTY SETS OUT YOUR EXCLUSIVE REMEDIES WITH RESPECT TO PRODUCT, WHETHER THE CLAIM ARISES IN CONTRACT OR TORT (INCLUDING STRICT LIABILITY, OR NEGLIGENCE) OR OTHERWISE. THIS WARRANTY IS IN LIEU OF ALL OTHER WARRANTIES, WHETHER EXPRESS OR IMPLIED. ANY WARRANTY IMPLIED BY LAW, WHETHER FOR MERCHANTABILITY OR FITNESS FOR A PARTICULAR PURPOSE, OR OTHERWISE, SHALL BE EFFECTIVE ONLY FOR THE PERIOD THAT THIS EXPRESS LIMITED WARRANTY IS EFFECTIVE. IN NO EVENT WILL THE MANUFACTURER BE LIABLE FOR CONSEQUENTIAL, SPECIAL, INCIDENTAL, INDIRECT, "BUSINESS LOSS", AND/OR PUNITIVE DAMAGES, LOSSES, OR EXPENSES, INCLUDING WITHOUT LIMITATION TIME AWAY FROM WORK, HOTELS AND/OR RESTAURANT MEALS, REMODELLING EXPENSES IN EXCESS OF DIRECT DAMAGES WHICH ARE DEFINITELY CAUSED EXCLUSIVELY BY THERMADOR, OR OTHERWISE. SOME STATES DO NOT ALLOW THE EXCLUSION OR LIMITATION OF INCIDENTAL OR CONSEQUENTIAL DAMAGES, AND SOME STATES DO NOT ALLOW LIMITATIONS ON HOW LONG AN IMPLIED WARRANTY LASTS, SO THE ABOVE EXCLUSIONS OR LIMITATIONS MAY NOT APPLY TO YOU. THIS WARRANTY GIVES YOU SPECIFIC LEGAL RIGHTS, AND YOU MAY ALSO HAVE OTHER RIGHTS WHICH VARY FROM STATE TO STATE.

No attempt to alter, modify or amend this warranty shall be effective unless authorized in writing by an officer of BSH.

#### **Obtaining Warranty Service**

To obtain warranty service for your product, you should contact Thermador Customer Service at 1-800-735-4328 to schedule a repair.

#### **Product information**

For handy reference, copy the information below from the rating plate. Keep your invoice and/or delivery documents for warranty validation.

|                        |  |
|------------------------|--|
| Model number (E-Nr.)   |  |
| Production number (FD) |  |
| Date of delivery       |  |

---

# Thermador® Support

## Service

We realize that you have made a considerable investment in your kitchen. We are dedicated to supporting you and your appliance so that you have many years of creative cooking.

Please don't hesitate to contact our STAR® Customer Support Department if you have any questions or in the unlikely event that your THERMADOR® appliance needs service. Our service team is ready to assist you.

[www.thermador.com/support](http://www.thermador.com/support)

800-735-4328

## Parts & Accessories

Parts, filters, descalers, stainless steel cleaners and more can be purchased in the THERMADOR eShop or by phone.

[www.thermador-eshop.com](http://www.thermador-eshop.com)



# MODE

*d'emploi et d'entretien*

---

Four à micro-ondes MicroDrawer® encastré

MD24BS  
MD30BS

## **▲ PRÉCAUTIONS POUR ÉVITER UNE POSSIBLE EXPOSITION EXCESSIVE À L'ÉNERGIE DES MICRO-ONDES**

- (1)** Ne pas essayer de faire fonctionner cet appareil avec la porte ouverte, car le fonctionnement la porte ouverte peut entraîner une exposition dangereuse à l'énergie des micro-ondes. Il est important de ne pas contourner ou trafiquer les dispositifs de sécurité.
- (2)** Ne placer aucun objet entre la partie avant et la porte de l'appareil et ne pas laisser s'accumuler de saleté ou de résidus de nettoyant sur les surfaces d'étanchéité.
- (3)** Ne pas utiliser l'appareil s'il est endommagé. Il est particulièrement important que la porte de l'appareil soit fermée correctement et qu'il n'y ait pas de dommage aux éléments suivants :
  - porte (courbée),
  - les charnières et les loquets (brisées ou desserrées),
  - le joint d'étanchéité de la porte et les surfaces d'étanchéité.
- (4)** L'appareil doit être ajusté ou réparé uniquement par du personnel de service autorisé. Une mauvaise installation, une réparation ou un entretien peut provoquer des blessures ou endommager la propriété. Consulter ce manuel pour obtenir les directives. En cas de problème ou de réparation, consulter un centre de service autorisé par le fabricant.

# Table des MATIÈRES

|  |           |   |           |
|--|-----------|---|-----------|
| <b>Précautions pour éviter une possible exposition excessive à l'énergie des micro-ondes</b> ..... | <b>2</b>  | <b>Réglages</b> .....                                   | <b>19</b> |
| <b>Définitions de sécurité</b> .....   | <b>5</b>  | Pour désactiver les signaux sonores.....                | 19        |
| <b>Instructions de sécurité importante</b> .....   | <b>6</b>  | Arrêt du rappel de fin de cuisson.....                  | 19        |
| <b>Renseignements importants</b> .....   | <b>7</b>  | Mode de veille.....                                     | 19        |
| Le déballage et la vérification du tiroir à micro-ondes .....                                      | 7         | Démarrage automatique .....                             | 19        |
| Interférence radio ou télévision.....  | 7         | Mode de démonstration .....                             | 19        |
| <b>Instructions pour la mise à la terre</b> .....  | <b>7</b>  | <b>Home Connect®</b> .....                              | <b>20</b> |
| À propos du tiroir à micro-ondes .....   | 7         | <b>Nettoyage et entretien</b> .....                     | <b>22</b> |
| La cuisson au micro-ondes .....  | 8         | <b>Avant d'appeler le service</b> .....                 | <b>23</b> |
| À propos des ustensiles et des couvercles.....   | 8         | <b>Déclaration de garantie limitée du produit</b> ..... | <b>24</b> |
| À propos de la sécurité alimentaire.....   | 9         |   |           |
| Les enfants et le micro-ondes.....   | 9         |   |           |
| À propos des aliments.....   | 10        |   |           |
| Nom des pièces.....  | 11        |   |           |
| <b>Avant l'utilisation</b> .....   | <b>12</b> |   |           |
| Réglage de l'horloge.....  | 12        |   |           |
| Réglage de la minuterie .....  | 12        |   |           |
| Ouverture et fermeture du tiroir à micro-ondes.....  | 12        |   |           |
| Verrouiller le panneau de commande .....   | 12        |   |           |
| Connexion au Wi-Fi.....  | 12        |   |           |
| <b>Cuisson au micro-ondes</b> .....  | <b>13</b> |   |           |
| Cuisson minutée .....  | 13        |   |           |
| Régler le niveau de puissance.....   | 13        |   |           |
| Réglage du capteur.....  | 14        |   |           |
| Mais à souffler/réchauffage au capteur .....   | 14        |   |           |
| Cuisson par capteur.....   | 15        |   |           |
| Décongélation .....  | 16        |   |           |
| Décongélation manuelle .....   | 17        |   |           |
| Plus de modos.....   | 17        |   |           |
| <b>Autres fonctions</b> .....  | <b>18</b> |   |           |
| Plusieurs séquences de cuisson.....  | 18        |   |           |
| Aide .....   | 18        |   |           |
| +30 secs .....   | 18        |   |           |
| Réglage de plus ou moins de temps de cuisson.....  | 18        |   |           |

*Ce THERMADOR est fabriqué par*  
**BSH Home Appliances Corporation**  
 1901 Main Street, Suite 600  
 Irvine, CA 92614

*Questions?*

**1-800-735-4328**

**www.thermador.com**

*Nous avons hâte d'avoir de tes nouvelles!*

---

## Aide à la clientèle

Pour toute assistance ultérieure concernant cet appareil, veuillez enregistrer les numéros de modèle et de série situés sur l'unité, et d'autres renseignements pertinents dans les espaces prévus ci-dessous. Veuillez conserver ces renseignements pour référence ultérieure.

Numéro De Modèle \_\_\_\_\_ Numéro De Série \_\_\_\_\_

Date D'achat \_\_\_\_\_ / \_\_\_\_\_ / \_\_\_\_\_

Détaillant \_\_\_\_\_ N° De Téléphone \_\_\_\_\_

Réparateur \_\_\_\_\_ N° De Téléphone \_\_\_\_\_

Pour obtenir le nom et l'adresse du réparateur ou du centre de service autorisé Thermador® le plus proche, veuillez contacter :

BSH Home Appliances Corporation  
1901 Main Street, Suite 600  
Irvine, CA 92614  
1-800-735-4328

Veuillez indiquer les renseignements suivants quand vous nous écrivez ou que vous nous appelez : numéro de modèle, numéro de série, date d'achat, votre adresse postale complète (y compris le code postal), le numéro de téléphone où l'on peut vous joindre pendant la journée (avec indicatif régional) et la description du problème.

**Website: [www.thermador.com](http://www.thermador.com)**

# Définitions de Sécurité

---

## AVERTISSEMENT

Cela indique que la mort ou de graves blessures peuvent se produire dans le cas où la mise en garde n'est pas observée.

---

---

## PRÉCAUTION

Cela indique que des blessures mineures ou modérées peuvent se produire dans le cas où cette mise en garde n'est pas observée.

---

**AVIS :** Cela indique que des dommages à l'appareil ou la propriété peuvent se produire dans le cas où ce conseil n'est pas suivi.

**Remarque :** Ces alertes vous donnent de l'information ou des conseils importants.

---

## AVERTISSEMENT

Le non-respect des avertissements dans ce manuel pourrait entraîner un incendie, une explosion provoquant des dommages à la propriété, des dommages corporels ou même la mort. Pour réduire le risque d'incendie, de décharge électrique, d'exposition excessive à l'énergie des micro-ondes ou de blessure, utiliser uniquement pour l'utilisation prévue et prendre les précautions suivantes.

---

# INSTRUCTIONS DE SÉCURITÉ IMPORTANTE

## LIRE ET CONSERVER CES INSTRUCTIONS

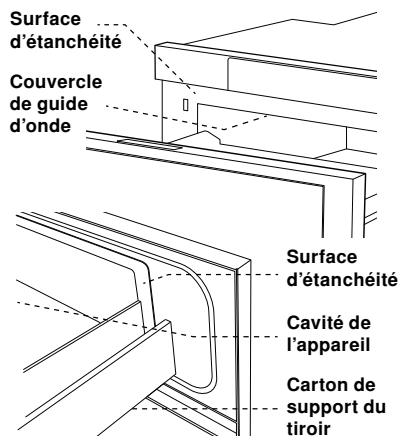
**IMPORTANT** Lire attentivement toutes les instructions avant l'installation et l'utilisation. Conserver ce manuel d'utilisation et d'entretien aux fins de consultation ultérieure.

- 1 Lire toutes les instructions avant d'utiliser l'appareil.
- 2 Lire et suivre les **PRÉCAUTIONS POUR ÉVITER L'EXPOSITION EXCESSIVE POSSIBLE À L'ÉNERGIE MICRO-ONDES** à la page 3.
- 3 Cet appareil doit être correctement mis à la terre. Lire et suivre les **INSTRUCTIONS DE MISE À LA TERRE** à la page 5.
- 4 Installer ou positionner cet appareil uniquement selon le Manuel d'installation fourni. Demander à l'installateur d'identifier l'emplacement du disjoncteur ou des fusibles. Il est important de l'identifier pour le reconnaître facilement. Pour éviter les accidents et obtenir une ventilation optimale, veiller à s'assurer d'avoir suffisamment d'espace autour de la zone de cuisson.
- 5 Certains produits dans des contenants scellés, comme les œufs entiers et les bocaux en verre fermés, peuvent exploser et ne devraient pas être chauffés dans ce four à micro-ondes.
- 6 Utiliser cet appareil uniquement pour l'utilisation prévue comme décrite dans ce manuel. Cet appareil est conçu pour être utilisé encastré dans un environnement domestique uniquement. Ne pas utiliser pour chauffer une pièce. Ne pas utiliser de produits chimiques corrosifs ou de vapeurs corrosives dans cet appareil. Cet appareil est spécialement conçu pour chauffer, cuire ou sécher les aliments. Il n'est pas conçu pour une utilisation commerciale ou en laboratoire.
- 7 **LES CONTENUS CHAUDS PEUVENT PROVOQUER DE GRAVES BRÛLURES. NE PAS LAISSER LES ENFANTS UTILISER LE MICRO-ONDES.** Faire preuve de précaution en enlevant les articles chauds.
- 8 Ne pas couvrir ou bloquer les ouvertures sur l'appareil.
- 9 Ne pas ranger ou utiliser cet appareil à l'extérieur ou dans des zones près de l'eau, comme près d'un évier de cuisine, dans un sous-sol humide, près d'une piscine ou dans des endroits similaires.
- 10 Ne pas immerger le cordon ou la fiche dans l'eau. Garder le cordon éloigné des surfaces chaudes.
- 11 Garder les doigts et les vêtements éloignés des glissières du tiroir lorsque le tiroir est ouvert ou fermé. Les doigts ou les vêtements peuvent rester coincés dans les glissières lorsque le tiroir est fermé.
- 12 La nourriture et les contenants doivent être moins haut que le tiroir. Se reporter à la hauteur des parois latérales du tiroir.
- 13 Utiliser uniquement des savons ou détergents doux et non abrasif appliqués avec une éponge ou un chiffon doux lors du nettoyage des surfaces d'étanchéité qui entrent en contact lors de la fermeture du tiroir. Voir Nettoyage et entretien à la page 19.
- 14 Pour réduire le risque d'incendie dans la cavité de l'appareil, suivre les mises en garde suivantes.
  - a. Ne pas trop cuire les aliments.
  - b. Surveiller attentivement l'appareil en présence de papier, de plastique d'autres matières combustibles à l'intérieur de l'appareil pour faciliter la cuisson.
  - c. Retirer les attaches torsadées à fil métallique des sacs de papier ou de plastique avant de mettre le sac dans l'appareil d. Ne pas utiliser la cavité à des fins de rangement. Ne pas laisser les produits de papier, les ustensiles de cuisson ou les aliments dans l'appareil lorsqu'il n'est pas utilisé. Si les matériaux à l'intérieur de l'appareil s'enflamment, garder le tiroir fermé, appuyer à deux reprises sur la touche stop/clear pour annuler le programme de cuisson et couper l'alimentation au niveau du panneau de disjoncteurs ou de fusibles.
- 15 Les liquides, comme l'eau, le café ou le thé, peuvent être surchauffés au-delà du point d'ébullition sans sembler être en ébullition en raison de la tension superficielle du liquide. Des bulles ou de l'ébullition visibles ne sont pas toujours présentes lors du retrait du contenant de l'appareil. Ceci pourrait faire que les liquides **TRÈS CHAUD POURRAIENT SOUDAINEMENT SE METTRE À BOUILLIR LORSQU'UNE CUILLÈRE OU UN AUTRE USTENSILE EST INSÉRÉ DANS LE LIQUIDE**. Pour réduire le risque de blessures corporelles, veiller à prendre les précautions suivantes.
  - a. Ne pas faire surchauffer les liquides.
  - b. Remuer les liquides avant et au milieu du temps de cuisson.
  - c. Ne pas utiliser de contenants à paroi droite avec une encolure étroite. Utiliser des contenants à large encolure.
  - d. Après l'avoir chauffé, laisser le contenant dans l'appareil pendant au moins 20 secondes avant de le retirer de l'appareil.
  - e. Faire preuve de prudence lors de l'insertion d'une cuillère ou d'un autre ustensile dans les liquides après les avoir chauffés.
- 16 Ne pas réparer ou remplacer des pièces dans cet appareil à moins que cela ne soit mentionné dans ce manuel. Si le voyant de l'appareil ne s'allume plus, communiquer avec le service à la clientèle Thermador.
- 17 Ne pas utiliser de thermomètres de cuisson réguliers dans l'appareil. La plupart des thermomètres de cuisson contiennent du mercure et peuvent provoquer des arcs électriques, un mauvais fonctionnement ou endommager l'appareil.
- 18 Pour éviter le mauvais fonctionnement du stimulateur cardiaque, consulter un médecin ou le fabricant du stimulateur cardiaque pour connaître les effets de l'énergie micro-ondes sur les stimulateurs cardiaques.
- 19 Ne pas ranger ou utiliser pas de matériaux inflammables ou combustibles, essences ou autres vapeurs ou liquides inflammables à proximité de cet appareil.
- 20 Faire preuve de précaution en enlevant les articles chauds. Utiliser seulement des poignées sèches. Des poignées mouillées ou humides sur des surfaces chaudes peuvent provoquer des brûlures en raison de la vapeur. Ne pas laisser les poignées toucher des surfaces chaudes ou des surfaces radiantes. Ne pas utiliser de serviettes ou autres tissus volumineux.

# Renseignements importants

## Déballage et vérification de l'appareil

- 1 Retirer tout le matériel d'emballage de l'intérieur de l'appareil. Retirer l'autocollant de présentation, s'il y en a un, de l'extérieur de l'appareil. Retirer le carton de support du tiroir de l'unité.



**IMPORTANT : NE PAS RETIRER LE COUVERCLE DE GUIDE D'ONDE QUI SE SITUE DANS LE HAUT DE LA CAVITÉ DE L'APPAREIL.**

- 2 Vérifier si le tiroir est endommagé, par exemple s'il est mal enligné ou que le tiroir est courbé, des joints d'étanchéité et des surfaces d'étanchéité sont endommagés, des glissières de tiroir sont endommagées ou mal fixées ou s'il existe des irrégularités à l'intérieur de la cavité ou sur le devant du tiroir. Ne pas utiliser l'appareil si des dommages sont constatés. Contacter votre détaillant ou le service à la clientèle Thermador.

### • CONDITION DE L'UNITÉ

N'utiliser aucun appareil lorsque le cordon d'alimentation est endommagé ou après un mauvais fonctionnement ou s'il a été endommagé d'une quelconque façon. Retourner l'appareil dans un centre de service autorisé près de chez vous pour une vérification, une réparation ou un réglage.

### ▲ AVERTISSEMENT

#### AVERTISSEMENT DE RÉPARATION ET D'ENTRETIEN

Ne pas réparer ou remplacer aucune pièce sur l'appareil. En cas de dysfonctionnement de l'affichage, de l'appareil ou des commandes tactiles, consulter un technicien autorisé Thermador.

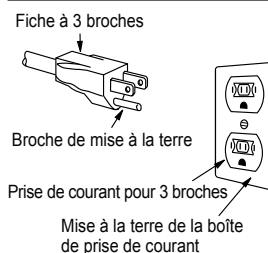
### • INTERFÉRENCE RADIO OU TÉLÉVISION

Si le tiroir à micro-ondes provoque des interférences à une radio ou un téléviseur, vérifier que l'appareil est sur un circuit électrique différent, repositionner la radio ou le téléviseur le plus loin possible de l'appareil si possible ou vérifier la position et le signal de l'antenne de réception.

# INSTRUCTIONS DE MISE À LA TERRE

Cet appareil doit être mis à la terre. Le tiroir à micro-ondes est muni d'un cordon comportant un fil de mise à la terre et une fiche de mise à la terre. Il doit être branché dans une prise de courant correctement raccordée et mise à la terre selon le Code national de l'électricité ainsi que les ordonnances et les codes locaux. Advenant un court-circuit, la mise à la terre permet de réduire le risque de décharge électrique en procurant un fil conducteur pour le courant électrique.

### Installation permanente et appropriée



Consulter un électricien en cas de questions au sujet de la mise à la terre ou des instructions électriques.

### ▲ AVERTISSEMENT

Une utilisation inappropriée de la prise de mise à la terre peut entraîner un risque de décharge électrique. **Ne pas utiliser de rallonge électrique. Si le cordon d'alimentation est trop court, faire installer une prise de courant près de l'appareil par un électricien.**

## À propos du tiroir à micro-ondes

### • ABSORPTION DE L'ÉNERGIE DES MICRO-ONDES

Lors de l'utilisation du tiroir à micro-ondes, veiller à s'assurer de TOUJOURS avoir des aliments dans la cavité pour absorber l'énergie des micro-ondes. Le tiroir à micro-ondes est uniquement conçu pour la préparation de nourriture. Il ne devrait pas être utilisé pour faire sécher des vêtements, des journaux ou autres articles non alimentaires.

### • OUVRIR ET FERMER SOIGNEUSEMENT

Lors de l'ouverture ou de la fermeture rapide du tiroir à micro-ondes, les aliments dans l'appareil peuvent se répandre. Voir **Nettoyage et entretien** à la page 19.

### ▲ AVERTISSEMENT

#### LA CHALEUR EXTÉRIEURE EST NORMALE

Il est normal que l'extérieur de l'appareil soit chaud au toucher lors de la cuisson ou du réchauffage.

#### NE PAS BLOQUER LES OUVERTURES DE VENTILATION

NE JAMAIS couvrir ou obstruer les ouvertures de ventilation par-dessus et sous le tiroir à micro-ondes. Pendant l'utilisation du four à micro-ondes, de la vapeur peut s'échapper de l'ouverture d'aération inférieure gauche. Vérifier les ouvertures d'aération après chaque utilisation et les nettoyer au besoin.

### • LA CONDENSATION EST NORMALE

Il est normal que le micro-ondes produise de la condensation pendant son fonctionnement. La quantité de condensation dépend de l'humidité présente dans les aliments et de l'humidité de la pièce.

### • LES CYCLES DE MARCHE/ARRÊT DU MAGNÉTRON SONT NORMAUX

Le magnétron peut produire des bruits pendant le cycle de marche/arrêt lors de l'utilisation du micro-ondes avec des puissances en dessous de 100 %.

### • LA PUISSANCE NOMINALE EST DE 950 WATTS

Le tiroir à micro-ondes est homologué à 950 watts selon la procédure de test du CEI. Lors de la cuisson d'aliment emballé ou de recettes, vérifier l'aliment une minute ou deux avant le temps minimum et ajouter du temps au besoin.

## La cuisson au micro-ondes

### • DISPOSER SOIGNEUSEMENT LES ALIMENTS

Orienter les parties les plus épaisses des aliments vers l'extérieur du plat.

### • REGARDER LE TEMPS DE CUISSON

Dans le cas de recettes ou d'instructions sur les emballages, vérifier l'aliment une minute ou deux avant le temps minimum et ajouter du temps au besoin.

### • RECOUVRIR LA NOURRITURE PENDANT LA CUISSON

Les couvercles empêchent les éclaboussures et aident les aliments à cuire plus uniformément. Consulter une recette ou un livre de cuisine pour obtenir des suggestions pour recouvrir les aliments, comme des essuie-tout, du papier ciré, de la pellicule plastique ou un couvercle allant au four à micro-ondes. Consulter la section **À propos des ustensiles et des couvercles** à la page 6.

### • REMUER LES ALIMENTS RÉGULIÈREMENT

Remuer les aliments une ou deux fois pendant la cuisson au micro-ondes. Lorsque possible, remuer à partir de l'extérieur vers le centre du plat.

### • RETOURNER LES ALIMENTS

Retourner les aliments comme le poulet et les hamburgers au moins une fois pendant la cuisson au micro-ondes pour accélérer la cuisson. Les gros articles comme les rôtis doivent être tournés au moins une fois.

### • DÉPLACER LES ALIMENTS

Remuer pour replacer les aliments comme les boulettes de viande en mi-cuisson pendant la cuisson au micro-ondes, en déplaçant les morceaux du haut vers le bas et de gauche à droite.

### • AJOUTER DU TEMPS DE REPOS

Le temps de repos permet à la cuisson de terminer sans trop cuire les aliments. Après avoir fait une cuisson au micro-ondes, retirer les aliments du micro-ondes, remuer si possible et couvrir pendant le temps de repos.

### • VÉRIFIER LA CUISSON

Regarder pour détecter des signes indiquant que la température de cuisson a été atteinte. Les différents moyens de vérifier la température sont :

- les vapeurs qui sortent à travers l'ensemble des aliments, pas seulement en périphérie
- le centre du plat en dessous est très chaud au toucher
- les articulations de la volaille se déplacent facilement
- la viande ou la volaille n'est plus de couleur rosée ou rouge
- le poisson est opaque et se défait facilement à la fourchette

Utiliser un thermomètre à viande pour vérifier si les aliments sont cuits à une température sécuritaire. Consulter **Sécurité alimentaire** la page 7.

### • POUR PLUS DE RECOMMANDATIONS

Un bon livre de recettes au micro-ondes peut fournir des techniques, principes, conseils et astuces pour la cuisine au micro-ondes.

## À propos des ustensiles et des couvercles

### • LES USTENSILES

It is not necessary to buy all new cookware for microwave cooking. Many pieces already in your kitchen can be used successfully in the Drawer Microwave.

| Ustensiles sécuritaires                             | À NE PAS UTILISER                                     |
|---|---|
| • Vitrocéramique                                    | • Les casseroles et ustensiles de pâtisserie en métal |
| • Verre résistant à la chaleur                      | • Les plats avec des bordures en métal                |
| • Plastiques allant au micro-ondes                  | • Le verre non résistant à la chaleur                 |
| • Assiette en papier allant au micro-ondes          | • Les plastiques n'allant pas au micro-ondes          |
| • Poterie, grès et porcelaine allant au micro-ondes | • Produits de papier recyclé                          |
| • Plat brunisseur*                                  | • Sacs de papier brun                                 |
| • Bois, paille et osier*                            | • Sacs d'entreposage des aliments                     |
|   | • Attaches torsadées métalliques                      |
|   | • Papier d'aluminium                                  |

\* **IMPORTANT** Ne pas dépasser le temps de préchauffage pour un plat brunisseur. Cuire uniquement des aliments avec une faible teneur en graisse et en sucre dans le bois, la paille et l'osier.

## • COUVERCLES

Utiliser des couvercles pour empêcher les éclaboussures et aider les aliments à cuire plus uniformément. Il existe différents types de couvercles pour convenir aux besoins uniques de chaque type de cuisson. Les couvercles allant au micro-ondes gardent la chaleur près des aliments, en accélérant la cuisson et les sacs de cuisson au four peuvent être utilisés pour attendrir les grosses viandes. Consulter des livres de recettes et de cuisine pour obtenir plus de suggestion de cuisson à couvert.

---

### Ustensiles sécuritaires À NE PAS UTILISER

---

- |  |   |
|--|---|
| • Essuie-tout                                | • Essuie-tout recyclé                                       |
| • Papier ciré                                | • Pellicule plastique n'allant pas au micro-ondes           |
| • Pellicule plastique allant au micro-ondes* | • Couvercle de métal ou couvercle avec une bordure de métal |
| • Couvercles allant au micro-ondes           | • Attaches torsadées sur les sacs à four                    |
| • Sacs de cuisson au micro-ondes             |   |
- 

\* **IMPORTANT** Ventiler la pellicule plastique et les sacs de cuisson au micro-ondes de façon à ce que la vapeur s'échappe. Ne pas laisser la pellicule plastique entrer en contact avec la nourriture.

---

### Sécurité alimentaire

Cuire les aliments aux températures sécuritaires recommandés par le département de l'Agriculture aux États-Unis (USDA). Pour vérifier la température interne et vérifier le niveau de cuisson, insérer un thermomètre à viande dans une partie épaisse ou dense loin du gras ou des os.

---

### ▲ AVERTISSEMENT

NE JAMAIS LAISSER un thermomètre dans les aliments pendant la cuisson au micro-ondes à moins que le thermomètre ne soit homologué pour la cuisson au micro-ondes.

---

|         |                |
|---------|----------------|
| poisson | - 63°C (145°F) |
|---------|----------------|

---

|   |                |
|---|----------------|
| porc, bœuf/veau/agneau haché plats aux œufs | - 71°C (160°F) |
|---|----------------|

---

|   |                |
|---|----------------|
| dinde/poulet/canard entier, morceaux, haché, restes de table, prêt à réchauffer réfrigéré charcuterie et plats à emporter | - 74°C (165°F) |
|---|----------------|

---

## Les enfants et le tiroir à micro-ondes

---

### ▲ AVERTISSEMENT

---

LES CONTENUS CHAUDS PEUVENT PROVOQUER DE GRAVES BRÛLURES. NE PAS LAISSER LES ENFANTS UTILISER LE FOUR À MICRO-ONDES. Faire preuve de précaution en enlevant les articles chauds. Ne pas surveiller les enfants peut entraîner des brûlures ou des blessures graves. Les enfants et les animaux de compagnie ne devraient pas être laissés seuls ou sans surveillance dans la zone où l'appareil est en utilisation. Ils ne devraient jamais être laissés pour jouer à proximité de l'appareil, que l'appareil soit en utilisation ou pas.

---

Lorsque les enfants sont assez âgés pour utiliser l'appareil, il est de la responsabilité des parents ou des tuteurs légaux d'assurer la supervision et de donner les directives pour utiliser l'appareil selon des pratiques sécuritaires. Consulter la section **Verrouiller le panneau de commande** à la page 9.

---

### Avertissement Proposition 65 :

Ce produit peut contenir un produit chimique reconnu dans l'état de la Californie qui pourrait provoquer le cancer et des anomalies congénitales. Par conséquent, l'emballage de votre produit peut porter l'étiquette suivante, comme l'exige la Californie :

#### AVERTISSEMENT DE LA PROPOSITION 65 DE L'ÉTAT DE LA CALIFORNIE :

#### ▲ AVERTISSEMENT

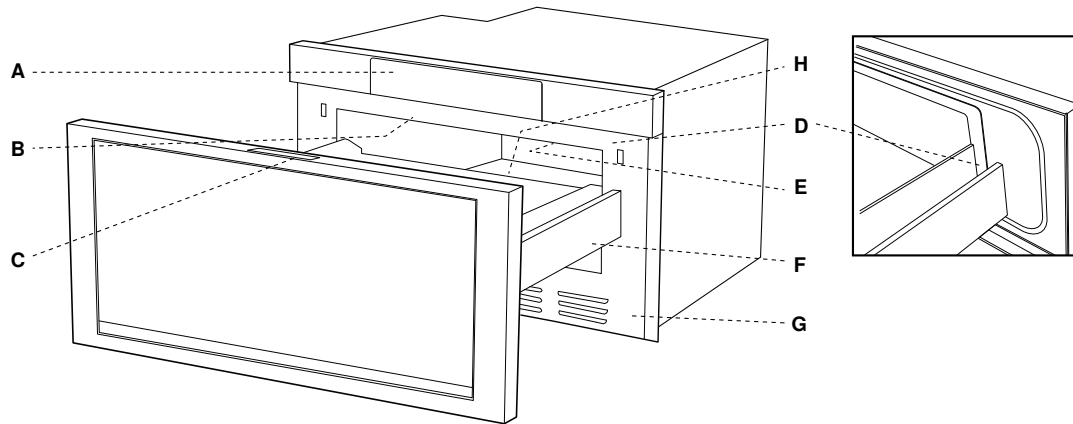
Cancer et problèmes de reproduction -  
[www.P65Warnings.ca.gov](http://www.P65Warnings.ca.gov)

## À propos des aliments

| Aliments                               | À faire  | À ne pas faire   |
|--|--|--|
| Les œufs, saucisses, fruits et légumes | <ul style="list-style-type: none"> <li>• Percer les jaunes d'œufs avant la cuisson pour empêcher l'éclatement.</li> <li>• Percer la pelure des pommes de terre, des pommes, des courges, la partie qui recouvre les saucisses à hot-dog et les saucisses régulières pour faire évacuer la vapeur.</li> </ul>   | <ul style="list-style-type: none"> <li>• Ne pas faire cuire les œufs dans la coquille.</li> <li>• Ne pas réchauffer les œufs entiers</li> <li>• Ne pas faire sécher des noix et des graines avec des cosses.</li> </ul>  |
| Maïs soufflé                           | <ul style="list-style-type: none"> <li>• Utiliser du maïs soufflé spécialement emballé pour la cuisson au micro-ondes.</li> <li>• Écouter le maïs éclater et attendre que le bruit d'éclatement ralentisse pendant 1 à 2 secondes pour éviter de trop le faire cuire.</li> <li>• Utiliser la fonction maïs soufflé en appuyant sur la touche <b>popcorn</b>.</li> </ul>  | <ul style="list-style-type: none"> <li>• Ne pas faire de maïs soufflé dans des sacs de papier brun ou des bols en verre.</li> <li>• Ne pas dépasser pas le temps de cuisson maximum indiqué sur les instructions d'emballage.</li> </ul>   |
| Aliments pour bébé                     | <ul style="list-style-type: none"> <li>• Transférer les aliments pour bébé dans des plats plus petits et chauffer avec précautions, en remuant souvent.</li> <li>• Vérifier la température avant de servir. Vérifier la température des bouteilles sur votre poignet avant de servir.</li> <li>• Fixer les tétines aux bouteilles APRÈS les avoir fait chauffer. Bien agiter avant de servir.</li> </ul>                                 | <ul style="list-style-type: none"> <li>• Ne pas chauffer les bouteilles jetables.</li> <li>• Ne pas chauffer les bouteilles avec les tétines dessus.</li> <li>• Ne pas chauffer des aliments pour bébé dans le contenant original.</li> </ul>  |
| Général                                | <ul style="list-style-type: none"> <li>• Couper les produits de boulangerie après la cuisson pour libérer la vapeur.</li> <li>• Remuer vivement les liquides avant et après la cuisson pour éviter les éclaboussures.</li> <li>• Utiliser un bol profond, lorsque vous faites cuire des liquides et des céréales, pour prévenir les débordements par bouillonnement. Se reporter à la hauteur des parois latérales du tiroir.</li> </ul> | <ul style="list-style-type: none"> <li>• Ne pas chauffer ou cuire dans des bocaux en verre fermé ou des contenants hermétiques.</li> <li>• Ne pas utiliser le micro-ondes pour faire des conserves, car les bactéries nuisibles peuvent ne pas être détruites.</li> <li>• Ne pas faire de grande friture au micro-ondes.</li> <li>• Ne pas faire sécher du bois, des courges, des herbes ou du papier humide.</li> </ul> |

# Nom des pièces

## Tiroir à micro-ondes



**A** Panneau de commande

**B** Couvercle du guide d'ondes - NE PAS ENLEVER

**C** Étiquette du menu

**D** Surfaces d'étanchéité du tiroir

**E** Lumière du tiroir

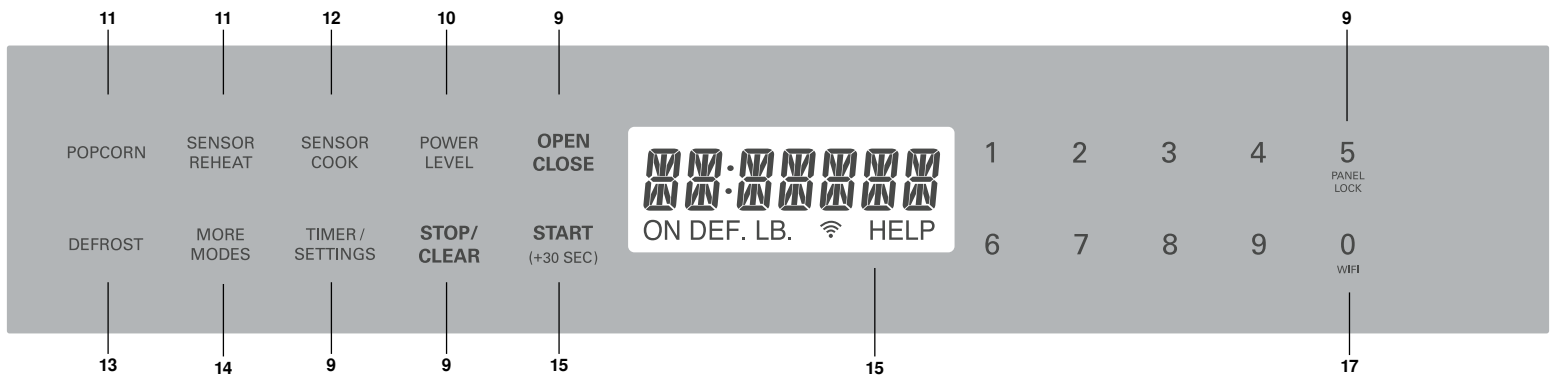
**F** Glissières

**G** Ouverture d'aération

**H** Plaque signalétique : ouvrir complètement le tiroir. L'étiquette est située au-delà de la paroi arrière de la cavité du tiroir à micro-ondes faisant face à la surface plane.

## Schéma des touches

HMD8454UC  
HMD8054UC



Les chiffres à côté de l'illustration des touches indiquent les pages où on retrouve la description des caractéristiques et les renseignements concernant l'utilisation.

## Aide-mémoire

| SENSOR COOK      |                            | DEFROST             | MORE MODES             |                                |
|------------------|----------------------------|---------------------|------------------------|--------------------------------|
| 1 Baked Potatoes | 6 Fresh Vegetables: Quick  | 1 Ground Meat       | 1 Melt Butter          | 7 Beverage Reheat              |
| 2 Sweet Potatoes | 7 Fresh Vegetables: Longer | 2 Steaks/Chops      | 2 Melt Chocolate       | 8 Hot Water                    |
| 3 Fish/Seafood   | 8 Frozen Vegetables        | 3 Boneless Poultry  | 3 Soften Ice Cream     | 9 Hot Cereal                   |
| 4 Brown Rice     | 9 Ground Meat              | 4 Bone-in Poultry   | 4 Soften Cream Cheese  | 10 Reheat Fresh Rolls/Muffins  |
| 5 White Rice     | 10 Frozen Entrees          | 5 Roast             | 5 Warm Syrup           | 11 Reheat Frozen Rolls/Muffins |
|                  |                            | 6 Casserole or Soup | 6 Warm Dessert Topping | 12 Keep Warm                   |

TLAB-B158MFRRO

# Avant l'utilisation

Avant d'utiliser votre nouveau tiroir à micro-ondes, lire et comprendre complètement ce manuel d'utilisation et d'entretien. S'assurer que l'appareil est correctement installé selon les instructions incluses dans le manuel d'installation et que tout le matériel d'emballage et de protection et le ruban adhésif ont été complètement et correctement retirés.

## Pour le faire fonctionner, suivre les étapes suivantes :

- 1 Brancher le tiroir à micro-ondes.  
ENJOY YOUR MICROWAVE TOUCH CLEAR apparaît à l'écran.
- 2 Appuyer sur la touche **stop/clear**.

## Réglage de l'horloge

- 1 Appuyer sur la touche **timer/settings**.  
TO SET CLOCK ENTER TIME s'affiche à l'écran.
- 2 Utiliser les touches numériques pour entrer l'heure de la journée. TOUCH CLOCK apparaît à l'écran.
- 3 Appuyer sur la touche **timer/settings** pour régler l'heure de la journée

## Pour régler la minuterie

- 1 Appuyer sur la touche **timer/settings** à deux reprises.  
TO SET TIMER ENTER TIME s'affiche à l'écran.
- 2 Utiliser les touches **numériques** pour entrer le temps.  
TOUCH TIMER apparaît à l'écran. La minuterie commence le décompte.
- 3 Appuyer sur la touche **start (+30 secs)** pour annuler la minuterie. Un signal sonore sera émis lorsque le décompte sera terminé.

## Pour ouvrir ou fermer le tiroir à micro-ondes

Toujours appuyer sur la touche **Open** ou **Close** sur le panneau de commande pour ouvrir ou fermer le tiroir. Ne pas pousser ou tirer sur le tiroir avec vos mains, sauf dans le cas d'une urgence, comme lors d'une panne électrique. Si nécessaire, tirer ou pousser lentement.

## Stop/Clear

Appuyez sur la touche **Stop/Clear** pour :

- effacer une erreur
- annuler la minuterie
- mettre la cuisson en pause
- réafficher l'heure sur l'affichage
- annuler un programme
- annuler la cuisson minutée

## Panne de courant

Si l'alimentation principale électrique de votre tiroir-four à micro-ondes est interrompue, l'affichage indiquera de manière intermittente ENJOY YOUR MICROWAVE TOUCH CLEAR après que le courant ait été rétabli. Si cela se produit pendant la cuisson, le programme sera effacé. L'heure de la journée sera aussi effacée. Appuyer simplement sur la touche **stop/clear** et réinitialiser l'horloge.

## Verrouiller le panneau de commande

Le verrouillage du panneau de commande permet d'éviter le fonctionnement non souhaité du tiroir à micro-ondes, comme avec les petits enfants. Le tiroir à micro-ondes peut être réglé de manière à ce que le panneau de commandes et les mécanismes automatiques de la porte soient désactivés ou verrouillés.

### • POUR VERROUILLER

Appuyer sur la touche numéro **5** pendant 3 secondes.  
LOCK ON apparaît à l'écran.

### • POUR DÉVERROUILLER

Appuyer sur la touche numéro **5** pendant 3 secondes.  
LOCK OFF apparaît à l'écran.

Le verrouillage du panneau de commande est annulé lorsque l'alimentation électrique de votre appareil est interrompue. Régler le Verrouillage du panneau de commande à nouveau lorsque l'appareil est alimenté à nouveau.

## Connecter au Wi-Fi

Pour activer le Wi-Fi sur votre appareil, enfoncer la touche « 0 » pendant 3 secondes. Pour des instructions sur la connexion de votre tiroir à micro-ondes au Wi-Fi, consulter le Guide de connexion rapide.

# Cuisson au micro-ondes

## Cuisson minutée

Le tiroir à micro-ondes peut être programmé pour la cuisson minutée jusqu'à 99 minutes 99 secondes (99,99). Toujours entrer les secondes après les minutes; s'il n'y a pas de secondes dans le temps de cuisson, entrer deux zéros.

• Pour une cuisson pendant 5 minutes à 100 % de puissance :

- 1 Appuyer sur les touches numériques **5-0-0** pour entrer le temps de cuisson. **5.00 TOUCH START OR TOUCH POWER LEVEL** s'affiche à l'écran.
- 2 Appuyer sur la touche **start (+30 secs)** pour une puissance à 100 %. La minuterie sur l'affichage commence le décompte.

**REMARQUE** : Pour de meilleurs résultats de cuisson et pour éviter les éclaboussures, certains aliments doivent être couverts. Consulter **À propos des ustensiles et des couvercles** à la page 6 et consulter les conseils en appuyant sur la touche **timer/settings** pour obtenir des recommandations. Toujours laisser la vapeur s'échapper loin du visage et des mains lors de l'enlèvement du couvercle.

## Régler le niveau de puissance

Il y a onze niveaux de puissance préréglés.

En utilisant des niveaux de puissance moins élevés, le temps de cuisson est augmenté, ce qui est recommandé pour les aliments comme le fromage, le lait et les viandes à cuisson lente. Consulter un livre de cuisson ou de recette au micro-ondes pour des recommandations spécifiques.

• Pour décongeler pendant 5 minutes à une puissance de 30 % :

- 1 Appuyer sur les touches numériques **5-0-0** pour entrer le temps de cuisson. **5.00 TOUCH START OR TOUCH POWER LEVEL** s'affiche à l'écran.
- 2 Appuyer sur la touche **power level** à 8 reprises pour une puissance à 30 %. **P-30** s'affiche sur l'écran.
- 3 Appuyer sur la touche **start (+30 secs)**.

| APPUYER SUR LA TOUCHE DE NIVEAU D'INTENSITÉ LE NOMBRE DE FOIS NÉCESSAIRE POUR L'INTENSITÉ SOUHAITÉE | POURCENTAGE APPROXIMATIF DE L'INTENSITÉ | MOTS COMMUNS POUR LES NIVEAU D'INTENSITÉ |
|---|---|--|
| POWER LEVEL x 1   | 100%                                    | Élevée                                   |
| POWER LEVEL x 2   | 90%                                     |  |
| POWER LEVEL x 3   | 80%                                     |  |
| POWER LEVEL x 4   | 70%                                     | Moyenne Élevé                            |
| POWER LEVEL x 5   | 60%                                     |  |
| POWER LEVEL x 6   | 50%                                     | Moyenne                                  |
| POWER LEVEL x 7   | 40%                                     |  |
| POWER LEVEL x 8   | 30%                                     | Moyenne basse/ décongélation             |
| POWER LEVEL x 9   | 20%                                     |  |
| POWER LEVEL x 10  | 10%                                     | Basse                                    |
| POWER LEVEL x 11  | 0%                                      |  |

## Réglages du capteur

Le capteur est un dispositif à semi-conducteur qui détecte la vapeur (humidité) émise par les aliments pendant la cuisson. Le capteur ajuste le temps de cuisson et les niveaux de puissance selon les aliments et les quantités.

### Utilisation des réglages du capteur :

- 1 Attendre deux minutes après avoir branché l'appareil avant d'utiliser les réglages du capteur.
- 2 Essuyer toute l'humidité de l'extérieur du contenant et à l'intérieur de la cavité du micro-ondes avant d'utiliser un réglage par capteur.
- 3 Le capteur fonctionne avec les aliments à une température normale de rangement. Par exemple, le maïs soufflé sera à la température de la pièce.
- 4 Toutes les sélections de cuisson avec capteur peuvent être programmées avec un réglage de temps plus ou moins élevé. Consulter la page 15.
- 5 Les aliments en quantité différente de ce qui est indiqué sur l'étiquette du menu peuvent être cuits manuellement selon les instructions qui se trouvent dans tous les livres de recettes au micro-ondes.
- 6 Pendant la première partie de l'utilisation du capteur, le nom de l'aliment s'affichera sur l'écran. Ne pas ouvrir le tiroir ou ne pas toucher à la touche **stop/clear** pendant cette partie du cycle. La détection de la vapeur sera interrompue. Si cela se produit, un message d'erreur s'affichera. Pour continuer la cuisson, appuyer sur la touche **stop/clear** et procéder manuellement à la cuisson. Lorsque le capteur détecte la vapeur émise par les aliments, le temps de

cuisson/réchauffage restant s'affiche à l'écran. À ce moment, le tiroir peut être ouvert pour permettre de remuer ou d'assaisonner les aliments. Lorsque le tiroir est ouvert, l'appareil sera en état de pause.

- 7 Si le capteur ne détecte pas correctement la vapeur pendant la cuisson des aliments (sauf pour le maïs soufflé), ERROR s'affiche sur l'écran. Pour continuer la cuisson, appuyer sur la touche **stop/clear** et faire la cuisson manuellement.
- 8 Vérifier la température des aliments après la cuisson. Si un temps de cuisson additionnel est nécessaire, procéder manuellement à la cuisson.
- 9 Chaque aliment à un indice de cuisson. Appuyer sur la touche **timer/settings** lorsque le voyant HELP est allumé sur l'affichage.

## Maïs soufflé/réchauffer avec capteur

Il est possible de faire cuire du maïs soufflé ou de réchauffer plusieurs aliments sans devoir calculer le temps de cuisson ou le niveau de puissance.

Appuyer sur touche **sensor reheat** ou sur la touche popcorn, et appuyer sur la touche **start (+3 secs)**.

Lorsque le capteur détecte la vapeur émise par les aliments, le temps restant de cuisson/réchauffage s'affichera.

### Remarque :

- Le réglage pour maïs soufflé propose 2 options. Suivre les directives à l'écran pour choisir l'option désirée.

## TABLEAU DE RÉCHAUFFAGE AVEC CAPTEUR/MAÏS SOUFLÉ

| Aliments                 | Quantité                                   | Procédure   |
|--------------------------|--|---|
| Maïs soufflé             | Un seul sachet à la fois                   | Utiliser seulement du maïs à éclater, emballé pour le micro-ondes. Faire cuire un seul sachet de maïs soufflé au micro-ondes à la fois et placer toujours le bon côté vers le haut. Ne pas essayer de faire éclater les grains de maïs non éclatés.   |
|                          | 2,85 – 3,5 oz<br>(Régulier/Léger régulier) | Appuyer sur la touche <b>popcorn</b> une fois pour un format régulier, et appuyer sur la touche <b>start (+30 secs)</b> .   |
|                          | 1,2 – 1,75 oz<br>(Petit ou collation)      | Appuyer sur la touche popcorn à deux reprises pour les petits formats ou les formats collation, et appuyer sur la touche <b>start (+30 secs)</b> .  |
| Réchauffage avec capteur | 4 – 36 oz                                  | Placer les aliments dans un plat allant au micro-ondes un peu plus grand que la quantité d'aliments à réchauffer et couvrir avec un couvercle, une pellicule plastique ou du papier ciré allant au micro-ondes.<br>Appuyer sur la touche <b>sensor reheat</b> , puis appuyer sur la touche <b>start (+30 secs)</b> .<br>Après avoir fait réchauffer les aliments, retirer soigneusement le couvercle des aliments pour laisser la vapeur s'échapper en la dirigeant loin de vous et remuer les aliments. Couvrir à nouveau les aliments et laisser reposer 2 à 3 minutes. |

## Cuisson avec capteur

- 1 Appuyer sur la touche **sensor cook**. **SEE LABEL SELECT FOOD NUMBER** s'affiche à l'écran.
- 2 Regarder l'étiquette du menu et appuyer sur une touche **numérique** pour sélectionner un article.
- 3 Appuyer sur la touche **start (+30 secs)**. Le nom de l'aliment sélectionné et **SENSOR COOK** s'affichent sur l'écran pendant la détection de vapeur. Une fois que la vapeur a été détectée, le temps de cuisson s'affiche sur l'écran ainsi que le décompte.

- 4 Une fois que la cuisson est terminée, des instructions comme **STIR LET STAND COVERED** s'affichent sur l'affichage, selon l'aliment dans le micro-ondes. Voir le tableau ci-dessous pour de plus amples informations.

**REMARQUE :** Pour chauffer ou faire cuire d'autres aliments ou des aliments en plus grande ou en moins grande quantité indiqués sur le tableau de la cuisson avec capteur, procéder à une cuisson manuelle.

**Tableau de cuisson avec capteur**

| Food                            | Amount                            | Procedure   |
|---------------------------------|-----------------------------------|---|
| 1 Pomme de terre au four        | 1 - 6 moy.                        | <p>Percer les pommes de terre au moins à trois reprises chacune sur le dessus, le fond et les côtés pour permettre à la vapeur de s'échapper. Placer les pommes de terre sur un essuie-tout.</p> <p>Après la cuisson, retirer les pommes de terre de l'appareil, envelopper dans du papier d'aluminium et laisser reposer de 5 à 10 minutes.</p>  |
| 2 Patates douces                | 1 - 6 moy.                        |   |
| 3 Poisson/fruits de mer         | 113 à 907 grammes (0,25 à 2,0 lb) | <p>Disposer le poisson ou les fruits de mer en rond dans un plat en verre peu profond (rouler les filets avec les rebords en dessous). Recouvrir avec une pellicule plastique allant au micro-ondes avec un espace ou des trous pour ventiler.</p> <p>Après la cuisson, laisser reposer à couvert pendant 3 minutes.</p>  |
| 4 Riz brun                      | 4 – 16 oz                         | <p>Placer le riz dans un grand un plat allant au micro-ondes et ajouter le double de quantité d'eau. Par exemple, pour 8 oz de riz sec, utiliser un plat de 64 oz et ajouter 16 oz d'eau. Recouvrir avec un couvercle ou une pellicule plastique allant au micro-ondes.</p> <p>Après la cuisson, remuer, recouvrir et laisser reposer pendant 3 à 5 minutes ou jusqu'à ce que tout le liquide soit absorbé.</p> |
| 5 Riz blanc                     | 4 – 16 oz                         |   |
| 6 Légumes frais :               |                                   | <p>Laver les légumes frais et les placer dans un plat. Ne pas ajouter d'eau aux légumes fraîchement lavés. Pour des légumes plus tendres, couvrir avec un couvercle allant au micro-ondes. Pour des légumes plus croquants, couvrir avec une pellicule plastique allant au micro-ondes. Après la cuisson, remuer, si possible, remettre le couvercle et laisser reposer pendant 2 à 5 minutes.</p>              |
| Rapide brocoli                  | 0.25 - 2 lb                       |   |
| choux de Bruxelles              | 0.25 - 2 lb                       |   |
| chou                            | 0.25 - 2 lb                       |   |
| chou-fleur (fleuron)            | 0.25 - 2 lb                       |   |
| chou-fleur (entier)             | 1 med.                            |   |
| épinard                         | 0.25 - 2 lb                       |   |
| zucchini                        | 0.25 - 2 lb                       |   |
| pommes cuites                   | 2 - 4 med.                        |   |
| 7 Légumes frais :               |                                   | <p>Laver les légumes frais et les placer dans un plat. Ajouter 1 à 4 cuillères à table d'eau. Pour des légumes plus tendres, couvrir avec un couvercle allant au micro-ondes. Pour des légumes plus croquants, couvrir avec une pellicule plastique allant au micro-ondes.</p> <p>Après la cuisson, remuer, si possible, remettre le couvercle et laisser reposer pendant 2 à 5 minutes.</p>                    |
| Plus long carottes (en tranche) | 0,11 à 0,7 kg (0,25 à 1,5 lb)     |   |
| épis de maïs                    | 2 à 4 morceaux                    |   |
| haricots verts                  | 0,11 à 0,7 kg (0,25 à 1,5 lb)     |   |
| courge d'hiver (en dés)         | 0,11 à 0,7 kg (0,25 à 1,5 lb)     |   |
| courge d'hiver (moitié)         | 1 – 2                             |   |
| 8 Légumes surgelés              | 0.25 - 1.25 lb                    | <p>Placer les légumes surgelés dans un plat. Ne pas ajouter d'eau aux légumes surgelés. Recouvrir avec un couvercle ou une pellicule plastique allant au micro-ondes.</p> <p>Après la cuisson, remuer, si possible, couvrir à nouveau et laisser reposer pendant 3 minutes.</p>   |

|                             |               |   |
|-----------------------------|---------------|---|
| <b>9</b> Viande hachée      | 0.25 - 2.0 lb | Pour cuire des galettes de viande hachée, placer les galettes dans un plat allant au micro-ondes et couvrir avec du papier ciré. Pour faire cuire de la viande hachée en grande quantité, placer la viande hachée dans un plat et couvrir avec du papier ciré ou une pellicule plastique allant au micro-ondes.<br><br>Après la cuisson, laisser le couvert et laisser reposer pendant 2 à 3 minutes. |
| <b>10</b> Entrées surgelées | 6 - 17 oz     | Enlever les entrées de leur emballage et recouvrir selon les directives sur l'emballage.<br><br>Après la cuisson, laisser reposer à couvert pendant 3 minutes.  |

## Décongélation (Defrost)

La fonction de décongélation utilise une puissance moins élevée pour décongeler doucement les aliments indiqués dans le tableau ci-dessous. Placer les aliments dans un plat allant au micro-ondes.

- Appuyer sur la touche **defrost**. SEE LABEL SELECT FOOD NUMBER s'affiche à l'écran.
- Consulter l'Étiquette du menu et appuyer sur les touches **numériques** pour sélectionner le numéro de l'aliment. Le nom de l'aliment et ENTER WEIGHT s'affichent à l'écran.
- Appuyer sur les touches **numériques** pour entrer le poids. Le poids entré et TOUCH START s'affichent à l'écran. Appuyer sur la touche **start (+30 secs)**.
- L'appareil s'arrêtera et la cuisson de l'aliment pourra être vérifiée. Ouvrir le tiroir et suivre les instructions à l'écran, comme PULL APART et REARRANGE. Appuyer sur la touche **start (+30 secs)**.
- Après chaque signal audible, tourner les aliments et appuyer à nouveau sur la touche **start (+30 secs)**.
- À la fin du cycle de décongélation, LET STAND COVERED s'affiche à l'écran. Voir le tableau ci-dessous pour le temps de repos recommandé.

### Remarque :

- Pour décongeler d'autres aliments ou des quantités différentes que celles indiquées sur l'étiquette du menu, procéder à une décongélation manuelle. Consulter la Décongélation manuelle ci-dessous.
- À la fin du cycle de décongélation, de petites sections peuvent encore être gelées. Laisser reposer les aliments pour continuer la décongélation. Ne pas faire cuire jusqu'à ce que tous les cristaux de glace soient fondus.

### Defrost Chart

| Aliments                    | Quantité                | Procédure   |
|-----------------------------|-------------------------|---|
| <b>1</b> Viande hachée      | 8 - 32 oz               | Après chaque signal sonore, retirer les morceaux décongelés et appuyer sur la touche <b>start (+30 secs)</b> à nouveau. Après la décongélation, laisser reposer à couvert pendant 5 à 10 minutes.   |
| <b>2</b> Steaks/côtelette   | 8 - 48 oz               | Après chaque signal sonore, retirer les morceaux décongelés et appuyer sur la touche <b>start (+30 secs)</b> à nouveau. Après la décongélation, laisser reposer à couvert pendant 10 à 20 minutes.  |
| <b>3</b> Volaille sans os   | 8 - 32 oz               | Après chaque signal sonore, retirer les morceaux décongelés et appuyer sur la touche <b>start (+30 secs)</b> à nouveau. Après la décongélation, laisser reposer à couvert pendant 10 à 20 minutes.  |
| <b>4</b> Volaille avec os   | 8 - 48 oz               | Après chaque signal sonore, retirer les morceaux décongelés et appuyer sur la touche <b>start (+30 secs)</b> à nouveau. Après la décongélation, laisser reposer à couvert pendant 10 à 20 minutes.  |
| <b>5</b> Rôti               | 32 - 64 oz              | Commencer la décongélation avec le côté gras en dessous. Après chaque signal sonore, retourner le rôti et appuyer sur la touche <b>start (+30 secs)</b> à nouveau. Après la décongélation, laisser reposer à couvert pendant 30 à 60 minutes. |
| <b>6</b> Casserole ou soupe | 16 - 48 oz<br>8 - 48 oz | Après chaque signal sonore, séparer, enlever toutes les parties décongelées et appuyer sur la touche <b>start (+30 secs)</b> à nouveau. Après la décongélation, bien remuer, couvrir à nouveau et laisser reposer pendant 5 à 10 minutes.     |

## Décongélation manuelle

Pour décongeler des aliments différents ou en quantité différente que celles indiquées sur le Tableau de décongélation, faites une décongélation manuelle. Utiliser le niveau de puissance à 30 % pour décongeler n'importe quel aliment congelé, qu'il soit cru ou déjà cuit. Suivre la procédure exacte en 3 étapes qui se trouve à la section **Régler le niveau de puissance** à la page 10. Estimer le temps de décongélation et appuyer sur la touche **power level** à huit reprises pour une puissance à 30 %.

La plupart des aliments congelés, qu'ils soient crus ou cuits, se décongèlent dans approximativement 4 minutes par 0,5 kg d'aliment. Par exemple, pour décongeler 0,5 kg de sauce à spaghetti, décongelez pendant 4 minutes, pour décongeler 1,5 kg de pâte à biscuit, décongelez pendant 12 minutes.

Periodically pause the microwave oven to remove or separate the defrosted portions.

Mettre le four à micro-ondes en pause périodiquement pour séparer les parties décongelées.

Si les aliments sont encore congelés à la fin du temps estimé, régler le niveau de puissance à 30 % à nouveau et décongeler par incréments de 1 minute jusqu'à ce que la pièce soit complètement décongelée. Si l'aliment congelé est dans un contenant de plastiques allant au micro-ondes, le décongeler un peu pour être en mesure d'enlever l'aliment du contenant de plastique et le placer dans un plat allant au micro-ondes.

## Tableau de More Modes

| Food                          | Amount                         | Procedure  |
|-------------------------------|--------------------------------|--|
| 1 Beurre fondu                | 1 oz or 4 oz                   | Mettre le beurre dans une tasse à mesurer en verre et couvrir avec une pellicule plastique allant au micro-ondes.  |
| 2 Chocolat fondu              | 8 oz pépites ou 1 carré (1 oz) | Mettre le chocolat dans une tasse à mesurer en verre et couvrir avec une pellicule plastique allant au micro-ondes.  |
| 3 Crème glacée ramollie       | 16 oz or 48 oz                 | Ne pas recouvrir.  |
| 4 Fromage à la crème ramollie | 3 oz or 8 oz                   | Ne pas recouvrir.  |
| 5 Sirop chaud                 | 2 oz or 4 oz                   | Placer le sirop dans une tasse à mesurer en verre. Ne pas recouvrir.   |
| 6 Garniture à dessert chaude  | 2 oz or 4 oz                   | Placer la garniture dans une tasse à mesurer en verre. Ne pas recouvrir.   |
| 7 Réchauffer une boisson      | 4 - 16 oz                      | Pour réchauffer une boisson refroidie à une température buvable, remuer la boisson et la placer dans le tiroir.  |
| 8 Eau chaude                  | 8 - 48 oz                      | Pour chauffer de l'eau froide à une température juste en dessous du point d'ébullition, remuer l'eau et la placer dans le tiroir.  |
| 9 Céréale chaude              | 4 - 24 oz                      | Pour chauffer le gruau, le son d'avoine, de la crème de blé, de la semoule de blé ou des wheatena en vrac ou en sachets individuels, suivre les directives sur l'emballage pour connaître la quantité d'eau ou de lait à ajouter. Pour prévenir les débordements, utiliser un grand contenant. Remuer les céréales et le liquide et les placer dans le tiroir. |

## Plus de modes

La fonction More calcule automatiquement le temps de cuisson approprié et le niveau de puissance du micro-ondes pour les aliments indiqués dans le tableau ci-dessous.

- 1 Appuyer une fois sur la touche **more modes**.  
SEE LABEL SELECT FOOD NUMBER s'affiche à l'écran.
- 2 Consulter l'Étiquette du menu et appuyer sur les touches **numériques** pour sélectionner le numéro de l'aliment.  
Le nom de l'aliment et les quantités s'affichent à l'écran.
- 3 Appuyer sur les touches **numériques** pour sélectionner la quantité.
- 4 Appuyer sur la touche **start (+30 secs)**.

### Remarque :

- La fonction More peut être programmée avec le réglage de plus ou moins de temps. Consulter la page 15.
- Pour faire cuire d'autres aliments ou des aliments en plus grande ou en moins grande quantité que sur le tableau de More modes, procéder manuellement à la cuisson.

|  |              |  |
|--|--------------|--|
| <b>10</b> Réchauffer des petits pains/muffins frais    | 1 - 8 pieces | Pour réchauffer les petits pains, muffins, biscuits ou bagels frais qui sont à température de la pièce ou du réfrigérateur, disposer les petits pains dans un plat et les couvrir avec un essuie-tout. Pour les articles réfrigérés ou plus gros, les articles de grande dimension, doubler la quantité entrée afin d'assurer la température de service appropriée.  |
| <b>11</b> Réchauffer des petits pains/muffins congelés | 1 - 8 pieces | Pour réchauffer les petits pains, les muffins, les biscuits ou les bagels congelés, disposer les petits pains dans un plat et les couvrir avec un essuie-tout.   |
| <b>12</b> Réchaud                                      |              | Utiliser la fonction Keep Warm pour garder les aliments chauds pendant jusqu'à 30 minutes. La fonction peut être utilisée directement ou en séquence avec une cuisson minutée. La fonction Keep Warm utilise un faible niveau de puissance pour garder les aliments au chaud sans les cuire. La fonction Keep Warm ne peut pas être programmée pour une période plus longue que 30 minutes et ne peut être programmée avec les fonctions Popcorn, Sensor Reheat, Sensor Cook ou Defrost. |

## Autres fonctions

### Plusieurs séquences de cuisson

Votre tiroir à micro-ondes peut être programmé pour jusqu'à quatre séquences de cuisson automatique, allant d'un réglage de niveau de puissance vers un autre niveau de puissance automatiquement.

Quelques fois, les directives de cuisson indiquent de commencer à un niveau de puissance et de le changer pendant la cuisson.

Le tiroir à micro-ondes peut faire cela automatiquement.

Pour régler de multiples séquences de cuisson, entrer le temps de cuisson et régler le niveau de puissance, puis entrer le prochain temps de cuisson et le niveau de puissance correspondant. Cette procédure peut être répétée jusqu'à quatre fois. Lorsque toutes les séquences sont programmées, appuyez sur la touche **start (+30 secs)**.

### Aide

Plusieurs réglages et éléments du menu offrent des conseils de cuisson.

Par exemple, les conseils de cuisson pour les patates douces sont :

- PERCEZ LA PEAU (PIERCE SKIN)
- PLACEZ SUR UN ESSUIE-TOUT (PLACE ON PAPER TOWEL)
- PLAGE DE QTE 1 À 6 MORCEAUX (QTY RANGE 1 - 6 PIECES)

Pour voir le conseil, appuyez sur la touche **timer/settings** chaque fois que le voyant HELP est allumé sur l'écran interactif.

### +30 secs

Pour faire cuire pendant trente secondes à 100 % de puissance, appuyez simplement sur la touche **start (+30 secs)**. Prolongez le temps de cuisson par incréments de 30 secondes en appuyant à répétition sur la touche **+30 secs** pendant la cuisson manuelle.

#### Remarques :

- +30 secs ne peut être utilisée avec les réglages Sensor, More ou Defrost.
- +30 secs ne peut être utilisée après qu'une fonction de cuisson a été annulée en appuyant sur la touche stop/clear à deux reprises. Pour utiliser +30 secs après une fonction de cuisson a été annulée, ouvrir et fermer simplement le four à micro-ondes pour réinitialiser.

### Réglage de plus ou moins de temps

Pour augmenter le temps de cuisson pour les réglages de Sensor Reheat, Sensor Cook, Defrost, Popcorn ou More, appuyer sur la **touche power level** une fois après avoir appuyé sur votre sélection. L'écran indiquera MORE.

Pour diminuer le temps de cuisson, appuyer sur la touche **power level** à deux reprises après avoir appuyé sur la sélection. L'affichage indiquera LE55.

# Réglages

Si l'alimentation principale électrique sur le tiroir-four à micro-ondes est interrompue, l'affichage indiquera de manière intermittente ENJOY YOUR MICROWAVE TOUCH CLEAR après que le courant ait été rétabli.

Si cela se produit, les réglages actuels seront effacés. Appuyer simplement sur la touche **stop/clear** et réinitialiser.

## Arrêter les signaux sonores

À la fin du temps de cuisson, des signaux sonores se feront entendre. Les signaux sonores peuvent être désactivés, si un fonctionnement silencieux est souhaité.

## Pour désactiver les signaux sonores

- 1 Appuyer sur la touche **timer/settings** à huit fois.  
SOUND OFF? TOUCH START apparaît à l'écran.
- 2 Appuyer sur la touche **start (+30 secs)**.  
SOUND OFF apparaît à l'écran.

Pour réactiver le son, suivre le même processus.

## Arrêt du rappel de fin de cuisson

À la fin du temps de cuisson, le micro-ondes émettra un signal sonore toutes les 10 secondes pendant la première minute, puis à toutes les 3 minutes pendant jusqu'à une heure ou jusqu'à ce que l'on appuie sur la touche **stop/clear**.

## Pour désactiver les rappels

- 1 Appuyer sur la touche **stop/clear** à neuf reprises  
REMINO SIGNAL OFF? TOUCH START apparaît à l'écran.
- 2 Appuyer sur la touche **start (+30 secs)**.  
REMINO SIGNAL OFF s'affiche à l'écran.  
Suivre le même processus pour réactiver les rappels.

## Mode de veille

Ce micro-ondes passera en mode d'attente après une certaine période d'inactivité. L'intensité du rétroéclairage de l'écran diminuera automatiquement après 3 minutes, si l'unité n'a pas été en fonction. Si l'écran est en mode de veille, simplement appuyer sur le panneau de commande ou ouvrir/fermer la porte pour que le rétroéclairage revienne au réglage maximum.

## Démarrage automatique

Suivre la procédure suivante pour programmer le démarrage d'une cuisson automatique avec le tiroir à micro-ondes à moment précis de la journée.

## PRÉCAUTION

Pour maintenir la sécurité alimentaire, ne pas laisser les aliments dans l'appareil pendant plus d'une heure avant ou après la cuisson.

- 1 Appuyer sur la touche **timer/settings** à dix reprises.  
AUTO START TOUCH START s'affiche sur l'écran.
- 2 Appuyer sur la touche **start (+30 secs)**. ENTER START TIME s'affiche à l'écran.
- 3 Entrer l'heure de début. L'heure de début et TOUCH CLOCK s'affichent à l'écran.
- 4 Appuyer sur la touche **timer/clock**.  
ENTER COOKING TIME apparaît sur l'écran.
- 5 Appuyer sur les touches **numériques** pour entrer le temps de cuisson. Le temps de cuisson et TOUCH START OU TOUCH POWER LEVEL apparaît à l'écran. Si le niveau de puissance recherché est inférieur à 100 %, configurer le niveau de puissance.
- 6 Appuyer sur la touche **start (+30 secs)**.

## Mode de démonstration

### Pour sélectionner le mode démonstration

- 1 Appuyer sur la touche **timer/settings** onze fois.  
DEMO ON? HOLD START 3 SEC apparaît à l'écran.
- 2 Appuyer sur **start (+30 secs)** pendant 3 secondes. DEMO ON.

### Pour annuler le mode démonstration

- 1 Appuyer sur la touche **timer/settings** onze fois.  
DEMO OFF? TOUCH START s'affiche à l'écran.
- 2 Appuyer sur la touche **start (+30 secs)**.  
DEMO OFF s'affiche à l'écran.

### Remarque :

- Le tiroir à micro-ondes ne chauffe pas dans le mode démonstration.
- L'écran fait un compte à rebours rapide.

# Home Connect®

Cet appareil peut être connecté à un réseau. En connectant votre appareil à un appareil mobile, vous pouvez contrôler ses fonctions dans l'application Home Connect®, régler ses paramètres de base et surveiller son état de fonctionnement.

Les services Home Connect® ne sont pas offerts dans tous les pays. La disponibilité de la fonction Home Connect® dépend de la disponibilité des services Home Connect® dans votre pays. Vous pouvez trouver de l'information à propos de ceci sur : [www.home-connect.com](http://www.home-connect.com).

L'application Home Connect® guide l'utilisateur tout au long du processus d'enregistrement. Suivre les instructions dans l'application Home Connect® pour effectuer les réglages.

## Remarques :

- Notez les informations de sécurité dans ce manuel d'instructions et assurez-vous qu'elles sont également respectées lorsque vous utilisez l'appareil à l'aide de l'application Home Connect®.
- Le fonctionnement de l'appareil sur l'appareil lui-même est toujours prioritaire. Il n'est pas possible de faire fonctionner l'appareil à l'aide de l'application Home Connect® pendant cette période.

## Configurer Home Connect™

### Exigences

- L'appareil est connecté à l'alimentation électrique et est en marche.
  - Disposer d'un appareil mobile doté d'une version actuelle du système d'exploitation iOS ou Android, par exemple un téléphone intelligent.
  - L'appareil mobile et l'appareil sont à portée du signal Wi-Fi de votre réseau domestique.
- 1 Télécharger l'application Home Connect™.
  - 2 Ouvrir l'application Home Connect™.
  - 3 Suivre les instructions de l'application Home Connect™.



### AVERTISSEMENT CONCERNANT LE FONCTIONNEMENT À DISTANCE

Cet appareil est configurable pour permettre une utilisation à distance à tout moment.

Ne pas placer de matériaux inflammables ou d'objets sensibles à la température à l'intérieur, au-dessus ou à proximité des unités de surface de l'appareil.

## Remarques

- Certains modes de fonctionnement ne peuvent être lancés que sur le four à micro-ondes à tiroir lui-même.

### Configurer le démarrage à distance

- 1 Appuyer sur la touche timer/settings trois fois.  
REMOTE CONTROL OFF TOUCH START s'affiche à l'écran.
- 2 Appuyer sur la touche start (+30 secs).  
REMOTE CONTROL ON s'affiche à l'écran.

Suivez le même processus pour désactiver la télécommande.

## Réglages de Home Connect™

Adaptez Home Connect™ à vos besoins. Vous trouverez les réglages Home Connect™ dans les réglages de base de votre appareil. Les paramètres affichés à l'écran dépendent de la configuration de Home Connect™ et de la connexion de l'appareil à votre réseau domestique.

### Activer le Wi-Fi

Vous pouvez utiliser les fonctions Home Connect si le Wi-Fi est activé.

- 1 Appuyer sur la touche « 0 » du panneau de contrôle pendant 3 secondes.
- 2 ENABLING WIFI sera affiché
- 3 Une fois connecté, "WIFI ON WAIT FOR PAIRING" sera affiché. Le tiroir à micro-ondes a réussi à activer le Wi-Fi et est prêt à être connecté au réseau Wi-Fi de votre domicile, et à être jumelé avec l'application Home Connect™.

### Jumeler le micro-ondes à tiroir à l'application

Si l'application Home Connect™ est installée sur votre appareil mobile, il faut la connecter au tiroir à micro-ondes.

**Exigence :** L'appareil est connecté au réseau.

- 1 Appuyer sur la touche "0" du panneau de contrôle pendant 3 secondes.
- 2 ENABLING WIFI sera affiché
- 3 Une fois connecté, "WIFI ON WAIT FOR PAIRING" sera affiché. Le micro-ondes à tiroir a été connecté avec succès au Wi-Fi et est prêt à être jumelé avec l'application Home Connect™.
- 4 Ouvrir l'application Home Connect™ et suivre les instructions pour ajouter un appareil.

## Télécommande

Si vous souhaitez démarrer le tiroir micro-ondes à distance à l'aide de votre appareil mobile, vous devez activer le contrôle à distance.

## Déconnexion du réseau

Vous pouvez à tout moment déconnecter votre micro-ondes à tiroir du réseau.

**Remarque :** Si votre micro-ondes à tiroir est déconnecté du réseau, il n'est pas possible de faire fonctionner le micro-ondes à tiroir à l'aide de Home Connect™.

**1** Appuyer sur la touche "0" du panneau de contrôle pendant 3 secondes.

**2** "WiFi OFF" sera affiché. Le tiroir à micro-ondes a été déconnecté avec succès du réseau.

## Diagnostic à distance

Le service clientèle peut accéder à l'appareil par le diagnostic à distance si on lui demande, si l'appareil est connecté au serveur Home Connect™ et si le diagnostic à distance est disponible dans le pays où l'appareil est utilisé.

**Conseil :** De plus amples informations et des détails sur la disponibilité du diagnostic à distance dans votre pays sont disponibles dans la section Service/Support de votre site Web local : [www.homeconnect.com](http://www.homeconnect.com).

## Mise à jour logicielle

Le tiroir à micro-ondes vérifie à intervalles réguliers si des mises à jour sont disponibles pour le logiciel Home Connect™.

Pour ce faire, il faut être un utilisateur Home Connect™ enregistré, avoir installé l'application sur un appareil mobile et être connecté au serveur Home Connect™.

Dès qu'une mise à jour logicielle est disponible, vous en serez informé par l'application Home Connect™, à partir de laquelle vous pourrez également télécharger la mise à jour. Une fois la mise à jour téléchargée avec succès, vous pouvez commencer à l'installer dans les paramètres de base de votre tiroir à micro-ondes, ou l'application Home Connect™ si vous êtes sur votre réseau local. L'application Home Connect™ vous préviendra une fois l'installation terminée.

## Remarques

- Vous pouvez continuer à utiliser votre tiroir à micro-ondes comme d'habitude pendant le téléchargement des mises à jour.

- En fonction de vos paramètres personnels dans l'application, les mises à jour logicielles peuvent également être téléchargées automatiquement.

- Nous vous recommandons d'installer les mises à jour de sécurité dès que possible.

## Protection des données

Veillez consulter les informations sur la protection des données.

La première fois que votre appareil est enregistré sur un réseau domestique connecté à Internet, il transmet les types de données suivants au serveur Home Connect™ (enregistrement initial) :

- Identification unique de l'appareil (comprenant les codes de l'appareil ainsi que l'adresse MAC du module de communication Wi-Fi installé).
- Certificat de sécurité du module de communication Wi-Fi (pour garantir une connexion de données sécurisée).
- La version actuelle du logiciel et du matériel de votre appareil.
- Statut de toute réinitialisation antérieure aux paramètres d'usine.

Cet enregistrement initial prépare les fonctions Home Connect™ à l'utilisation et n'est requis que lorsque vous souhaitez utiliser les fonctions Home Connect™ pour la première fois.

**Remarque :** Veuillez noter que les fonctions Home Connect™ ne peuvent être utilisées qu'avec l'application Home Connect™. Les informations sur la protection des données peuvent être consultées dans l'application Home Connect™.

# Nettoyage et entretien

## Surface en acier inoxydable

Essuyer ou frotter toujours dans le sens du grain. L'extérieur doit être essuyé souvent avec un linge doux humide et poli avec un linge sec et doux pour maintenir son éclat. Il y a aussi une variété de produits conçus spécialement pour nettoyer et polir l'extérieur en acier inoxydable. Nous recommandons que le nettoyant soit appliqué avec un linge doux et étendu sur l'extérieur en acier inoxydable au lieu d'être vaporisé directement sur la surface. Respecter les directives du produit de nettoyage.

## Vue avant du tiroir

Essuyer la fenêtre des deux côtés avec un linge doux humide pour enlever les éclaboussures et les débordements. Les pièces de métal seront plus faciles à entretenir si elles sont essuyées fréquemment avec un linge doux humide. Éviter d'utiliser un vaporisateur et d'autres nettoyants corrosifs, car ils peuvent tacher, laisser des traces ou ternir la surface du tiroir.

## Panneau de commande tactile

Si vous le souhaitez, les touches tactiles peuvent être désactivées avant le nettoyage. Consulter la section **Verrouiller le panneau de commande** à la page 9. Essuyer le panneau avec un linge légèrement humide avec de l'eau seulement. Sécher avec un linge doux. Ne pas récurer ou ne pas utiliser de nettoyants contenant des produits chimiques. Fermer le tiroir et suivre les instructions de la page 9 pour désactiver le verrouillage du panneau. Appuyer sur la touche **stop/clear**.

## Intérieur

Avant de nettoyer le four à micro-ondes à tiroir, appuyer sur le bouton de verrouillage du panneau pendant 3 secondes pour verrouiller le panneau de commande et le mécanisme de la porte automatique. Le tiroir peut être verrouillé en position ouverte ou fermée. L'affichage indiquera **LOCK ON**. Cela évitera que le tiroir ne s'ouvre ou ne se ferme accidentellement pendant le nettoyage. Après le nettoyage, appuyer sur le bouton de verrouillage du panneau pendant 3 secondes pour désactiver le verrouillage. L'affichage indiquera **LOCK OFF**.

Le nettoyage est facile parce qu'il n'a aucune chaleur de produite sur les surfaces intérieures; par conséquent, il n'y a pas d'éclaboussures ou de débordements durcis par la cuisson. Pour nettoyer les surfaces intérieures, y compris les surfaces d'étanchéité du tiroir, essuyez

avec un linge doux humide. **NE PAS UTILISER DE NETTOYANTS ABRASIFS OU CORROSIFS OU DE TAMPON À RÉCURER.** Pour les souillures plus tenaces, utiliser un savon doux; nettoyer avec un linge doux humide. Ne pas utiliser de produits de nettoyage chimique pour les fours.

## Éliminer les odeurs

Occasionnellement, des odeurs de cuisson peuvent rester présentes dans le tiroir. Pour éliminer les odeurs, combiner 1 tasse d'eau, le zeste et le jus d'un citron et plusieurs clous de girofle entiers dans une tasse à mesurer (2 tasses) en verre allant au micro-ondes. Faire bouillir pendant plusieurs minutes à une puissance à 100 %. Laisser dans le tiroir jusqu'à ce que l'eau refroidisse. Essuyer l'intérieur avec un linge doux.

## Guides du micro-ondes à tiroir

Retirer les miettes de nourriture des guides du tiroir. Essuyer avec un chiffon doux et sec pour que le tiroir s'ouvre et se ferme en douceur.

## Waveguide Cover

---

### CAUTION

---

Le couvercle du guide d'ondes, situé dans la partie supérieure du tiroir, est fait de mica. C'est pourquoi il nécessite un entretien particulier. Garder le couvercle de guide d'ondes propre afin d'assurer une bonne performance du micro-ondes. Essuyer soigneusement avec un linge doux humide les éclaboussures d'aliments de la surface du couvercle immédiatement lorsqu'il y en a. L'accumulation des éclaboussures peut surchauffer et provoquer de la fumée ou même s'enflammer. Ne pas enlever le couvercle de guide d'ondes.

---

## MISE AU REBUT DU PRODUIT

Ce produit ne doit pas être jeté avec les ordures ménagères. Cet appareil doit être apporté dans un point de collecte approprié pour le recyclage des équipements électriques et électroniques.

Éliminer ce produit correctement afin d'éviter les conséquences négatives pour l'environnement et la santé humaine qui pourraient résulter d'un traitement inapproprié des déchets de ce produit. Pour obtenir des informations plus détaillées sur le recyclage de ce produit, contacter la mairie, le service d'élimination des déchets ménagers ou le magasin où le produit a été acheté.

# Avant d'appeler le service à la clientèle de Thermador

Veillez vérifier les éléments suivants avant d'appeler le centre de service. Ceci pourrait vous faire économiser du temps et de l'argent.

| Problème  | Cause possible   | Solution  |
|---|--|---|
| 1 Une partie ou l'ensemble du tiroir à micro-ondes ne fonctionne pas. | <ul style="list-style-type: none"><li>• Le cordon d'alimentation du micro-ondes à tiroir</li><li>• n'est pas complètement connecté dans une prise électrique.</li><li>• Panne de courant.</li><li>• Le tableau de disjoncteurs ou de fusibles ne fonctionne pas.</li><li>• Le tiroir à micro-ondes est en mode de démonstration.</li></ul> | <ul style="list-style-type: none"><li>• S'assurer que le cordon d'alimentation est branché correctement dans la prise de courant.</li><li>• Vérifier le boîtier des lumières pour voir si tout est correct. Appeler la compagnie d'électricité pour obtenir de l'aide.</li><li>• Remplacer le fusible ou réinitialiser le disjoncteur.</li><li>• Voir la page 16 pour savoir comment annuler le mode démonstration.</li></ul> |
| 2 La nourriture dans le tiroir à micro-ondes n'est pas réchauffée.    | <ul style="list-style-type: none"><li>• Il n'y a pas d'alimentation électrique pour l'appareil.</li><li>• Les commandes du tiroir ne sont pas réglées correctement.</li><li>• Le tiroir est en mode démonstration.</li></ul>   | <ul style="list-style-type: none"><li>• Voir la solution pour le Problème 1.</li><li>• Vérifier si les commandes ont été correctement réglées.</li><li>• Consulter la page 16.</li></ul>  |
| 3 La lumière du tiroir à micro-ondes ne fonctionne pas.               | <ul style="list-style-type: none"><li>• L'ampoule est dévissée ou est brûlée.</li></ul>  | <ul style="list-style-type: none"><li>• Appeler le service à la clientèle pour obtenir du service. Avant d'appeler, toujours avoir à portée de main le numéro complet du modèle et le numéro FD.</li></ul>  |
| 4 Touch controls will not operate.                                    | <ul style="list-style-type: none"><li>• Le verrouillage des commandes est activé.</li></ul>  | <ul style="list-style-type: none"><li>• Consulter la page 9 pour déverrouiller.</li></ul>   |
| 5 L'écran clignote.   | <ul style="list-style-type: none"><li>• Panne d'électricité.</li></ul>   | <ul style="list-style-type: none"><li>• Appuyer sur la touche <b>stop/clear</b> pour réinitialiser l'horloge. Si le tiroir à micro-ondes était en fonction, il est nécessaire de réinitialiser le programme de cuisson.</li></ul>   |
| 6 De la vapeur sort de la sortie d'aération.                          | <ul style="list-style-type: none"><li>• Durant la cuisson, de la vapeur peut sortir du côté droit de la sortie d'aération.</li></ul>   |   |

# ÉNONCÉ DE LA GARANTIE LIMITÉE DU PRODUIT

## Exclusions de garantie

La couverture de garantie décrite dans les présentes exclut tous les défauts ou dommages pour lesquels Thermador serait directement imputable, y compris, sans s'y limiter, l'un ou plusieurs des cas suivants :

- Utilisation du produit autre qu'un usage normal, habituel et de la façon destinée (incluant, sans s'y limiter, toute forme d'utilisation commerciale, d'utilisation ou de rangement d'un produit pour l'intérieur à l'extérieur, d'utilisation du produit de concert avec un transporteur aérien ou marin).
- Mauvaise conduite de toute partie, négligence, mauvaise utilisation, abus, accidents, fonctionnement inadéquat, mauvais entretien, installation inadéquate ou négligente, altération, manquement d'observer les instructions de fonctionnement, mauvaise manipulation, service non autorisé (incluant réparation par le consommateur ou exploration du fonctionnement interne du produit).
- Réglage, modification ou altération de tout type.
- Non conformité aux normes fédérales, provinciales, municipales ou électriques en vigueur au pays, aux codes de plomberie ou du bâtiment, aux réglementations ou aux lois, incluant le non respect d'installer le produit en stricte conformité avec les codes et les réglementations du bâtiment et d'incendie locaux.
- Bris et usure normaux, déversements d'aliments ou de liquides, accumulations de graisse ou d'autres substances dans, sur ou autour du Produit.
- Toute force ou tout facteur externe, élémentaire et / ou environnemental, incluant sans limitation, la pluie, le vent, le sable, les inondations, les incendies, les coulées de boue, le gel, l'humidité excessive ou l'exposition prolongée à l'humidité, la foudre, les surtensions, les problèmes de structure autour de l'appareil et les désastres naturels.
- Demandes de service visant à corriger l'installation de votre Produit, à obtenir des conseils à propos de son utilisation, à remplacer les fusibles de votre maison ou à réparer l'installation électrique ou la plomberie de votre foyer.
- Retrait et remplacement de la garniture ou des panneaux de décoration qui entravent l'entretien du produit.
- Dommages ou défauts résultant de la main-d'œuvre ou de pièces installées par un centre de réparation non autorisé, à moins d'être approuvé par Thermador avant de procéder à sa réparation.

En aucun cas, Thermador ne sera tenue responsable de dommages survenus à la propriété environnantes, incluant les armoires, les planchers, les plafonds et les autres objets ou structures situés autour du produit. Également exclus de la garantie sont les Produits dont les numéros de série ont été modifiés, effacés ou enlevés; les demandes de réparations pour enseigner le fonctionnement du Produit ou les visites où il n'y a aucun problème avec le produit; la correction de problèmes d'installation (le consommateur est seul responsable pour toute structure et tout réglage du Produit, incluant l'électricité, la plomberie et les autres raccordements nécessaires, pour une fondation / plancher approprié[e], et

pour toute modification incluant, sans limitation, armoires, murs, planchers, tablettes, etc.) et le réenclenchement de disjoncteurs ou le remplacement de fusibles.

CONTRAT OU DÉLIT (Y COMPRIS RESPONSABILITÉ ABSOLUE OU NÉGLIGENCE) OU AUTRE. LA PRÉSENTE GARANTIE REMPLACE TOUTES LES AUTRES GARANTIES, EXPRESSES OU IMPLICITES. TOUTES GARANTIES IMPLICITES AUX TERMES DE LA LOI, QUE SE SOIT LES GARANTIES DE QUALITÉ MARCHANDE OU D'APTITUDE À UN USAGE PARTICULIER, OU AUTRES, SONT LIMITÉES DANS LE TEMPS À LA DURÉE DE CETTE GARANTIE LIMITÉE EXPRESSE. LE FABRICANT NE SERA EN AUCUN CAS RESPONSABLE DE DOMMAGES CONSÉCUTIFS, SPÉCIAUX, ACCESSOIRES, INDIRECTS OU DE « PERTES COMMERCIALES » ET / OU DE DOMMAGES PUNITIFS, DE PERTES OU DE DÉPENSES, Y COMPRIS SANS S'Y LIMITER, ABSENCE DU TRAVAIL, FRAIS D'HÔTEL ET / OU FRAIS DE RESTAURANT, FRAIS DE REMANIEMENT EN EXCÉDENT DES DOMMAGES DIRECTS QUI SONT DÉFINITIVEMENT CAUSÉS EXCLUSIVEMENT PAR THERMADOR, OU AUTREMENT. CERTAINS ÉTATS N'AUTORISENT PAS L'EXCLUSION OU LA LIMITATION DE DOMMAGES ACCESSOIRES OU CONSÉCUTIFS, ET CERTAINS ÉTATS N'AUTORISENT PAS LA LIMITATION DE LA DURÉE DES GARANTIES IMPLICITES. PAR CONSÉQUENT, LES EXCLUSIONS OU LES LIMITES SUSMENTIONNÉES POURRAIENT NE PAS VOUS CONCERNER. LA PRÉSENTE GARANTIE VOUS DONNE DES DROITS PRÉCIS RECONNUS PAR LA LOI ET VOUS POUVEZ ÉGALEMENT AVOIR D'AUTRES DROITS QUI VARIENT D'UN ÉTAT À L'AUTRE.

Aucune tentative de modifier, changer ou amender la présente garantie ne peut être valide sans le consentement écrit autorisé par un dirigeant de BSH.

## Obtention du service de garantie

Pour obtenir le service de garantie de votre produit, vous devez contacter le service client de Thermador au 1-800-735-4328 pour planifier une réparation.

## Information sur le produit

Pour référence pratique, copiez l'information ci-après de la plaque signalétique. Conservez votre facture et/ou vos documents de livraison pour la validation de la garantie.

|                            |  |
|----------------------------|--|
| Numéro de modèle (E-Nr.)   |  |
| Numéro de fabrication (FD) |  |
| Date de livraison          |  |

---

# Assistance de Thermador®

## Service

Nous sommes conscients que vous avez fait un investissement considérable dans votre cuisine. Nous nous engageons à vous soutenir, vous et votre appareil afin que vous puissiez profiter de nombreuses années d'une cuisine créative.

N'hésitez pas à communiquer avec notre service d'assistance à la clientèle STAR® si vous avez des questions ou dans le cas peu probable où votre appareil THERMADOR® aurait besoin de réparations. Notre équipe est prête à vous aider.

[www.thermador.com/support](http://www.thermador.com/support)

800-735-4328

## Pièces & Accessoires

Pièces, filtres, détartrants, nettoyants d'acier inoxydable et autres peuvent être achetés à la boutique en ligne THERMADOR ou par téléphone.

[www.thermador-eshop.com](http://www.thermador-eshop.com)



# GUÍA

*de uso y cuidado*

---

Horno MicroDrawer® Incorporado

MD24BS

MD30BS



## **PRECAUCIONES PARA EVITAR UNA POSIBLE EXPOSICIÓN A UNA ENERGÍA EXCESIVA DE MICROONDAS**

- (1) No intentes operar este aparato con la puerta abierta, ya que el funcionamiento con la puerta abierta puede resultar en una exposición perjudicial a la energía de microondas. Es importante no desactivar ni manipular los dispositivos de seguridad.
- (2) No coloques ningún objeto entre la parte frontal del aparato y la puerta, ni permita que se acumule suciedad o residuos de limpiador en las superficies de sellado.
- (3) No operes el aparato si está dañado. Es muy importante que la puerta del aparato cierre correctamente y que no haya daños en las siguientes partes:
  - puerta (doblada),
  - bisagras y pestillos (rotos o aflojados),
  - sellos de puertas y superficies de sellado.
- (4) El aparato no debe ser modificado o reparado por nadie excepto personal autorizado del Servicio técnico. La instalación, servicio o mantenimiento incorrecto pueden causar lesiones o daños materiales. Consulta este manual como guía. Remite todas las reparaciones a un centro de servicio autorizado de fábrica.

# Tabla de **CONTENIDO**

**PRECAUCIONES PARA EVITAR UNA POSIBLE EXPOSICIÓN A UNA ENERGÍA EXCESIVA DE MICROONDAS** ..... 2

**Definiciones de seguridad** ..... 5

**Instrucciones importantes de seguridad** ..... 6

**Información importante** ..... 7

    Acerca del desempaque y la revisión del aparato ..... 7

    Interferencia de radio o televisión ..... 7

**Instrucciones de conexión a tierra** ..... 7

    Acerca del cajón microondas ..... 7

    Acerca de la cocción en microondas ..... 8

    Acerca de los utensilios y los recubrimientos ..... 8

    Acerca de la seguridad alimentaria ..... 9

    Acerca de los niños y el cajón microondas ..... 9

    Acerca de los alimentos ..... 10

**Nombres de las partes** ..... 11

**Antes del primer uso** ..... 12

    Cómo configurar el reloj ..... 12

    Cómo configurar el temporizador ..... 12

    Cómo abrir o cerrar el cajón microondas ..... 12

    Cómo bloquear el panel de control ..... 12

    Cómo conectarse a una señal Wi-Fi ..... 12

**Cocción en microondas** ..... 13

    Tiempo de cocción ..... 13

    Cómo configurar el nivel de potencia ..... 13

    Configuración del sensor ..... 14

    Palomitas de maíz / Sensor de recalentamiento ..... 14

    Sensor de cocción ..... 15

**Descongelar** ..... 16

    Descongelar manualmente ..... 16

    Más modos ..... 17

**Otras características** ..... 18

    Cocción de secuencias múltiples ..... 18

    Ayuda ..... 18

    +30 segundos ..... 18

    Aumentar o disminuir tiempo ..... 18

**Configuración** ..... 19

    Eliminación de señal audible ..... 19

    Recordatorio de fin de cocción ..... 19

    Modo de espera ..... 19

    Inicio automático ..... 19

    Modo de demostración ..... 19

**Home Connect®** ..... 20

**Limpieza y cuidado** ..... 22

**Antes de llamar al Servicio técnico** ..... 23

**Declaración de Garantía Limitada del Producto** ..... 24

*Este THERMADOR es fabricado por*  
**BSH Home Appliances Corporation**  
 1901 Main Street, Suite 600  
 Irvine, CA 92614

*¿Pregunta?*

**1-800-735-4328**

**www.thermador.com**

*¡Esperamos con interés escuchar de usted!*

---

# Atención al Cliente

Para ayuda con cualquier tipo de asistencia futura relacionada con este aparato, por favor anote el modelo y los números de serie ubicados en la unidad, y cualquier otra información pertinente en los espacios indicados por debajo. Por favor conserve esta información para referencia futura.

Número de modelo \_\_\_\_\_ Número de serie \_\_\_\_\_

Fecha de compra \_\_\_\_\_ / \_\_\_\_\_ / \_\_\_\_\_

Distribuidor \_\_\_\_\_ Teléfono \_\_\_\_\_

Personal de servicio \_\_\_\_\_ Teléfono \_\_\_\_\_

Para obtener el nombre y la dirección del centro de servicio autorizado de Thermador®, comuníquese con:

BSH Home Appliances Corporation  
1901 Main Street, Suite 600  
Irvine, CA 92614

Proporcione la siguiente información al escribir o llamar: Número del modelo, número de serie, fecha de compra, su dirección de correo completa (incluyendo código postal), su número telefónico durante el día (incluyendo código del área) y la descripción del problema.

**Sitio Web:** [www.thermador.com](http://www.thermador.com)

# Definiciones de seguridad

---

## ADVERTENCIA

Esto indica que la falta de atención a esta advertencia puede resultar en la muerte o lesiones graves.

---

---

## PRECAUCIÓN

Esto indica que la falta de atención a esta advertencia puede resultar en lesiones leves o moderadas.

---

**NOTICE:** This indicates that damage to the appliance or property may occur as a result of non-compliance with this advisory.

**Note:** This alerts you to important information and/or tips.

---

## ADVERTENCIA

El incumplimiento de las advertencias en este manual podría resultar en un incendio o explosión que cause daños materiales, lesiones personales o la muerte. Para reducir el riesgo de incendio, descarga eléctrica,

---

# INSTRUCCIONES IMPORTANTES DE SEGURIDAD

## LEE Y GUARDA ESTAS INSTRUCCIONES

**IMPORTANTE** Lee todas las instrucciones con detenimiento antes de la instalación y operación. Guarda este manual de uso y cuidado para su uso en el futuro. El cajón microondas Thermador se fabrica según los estándares de seguridad

Al utilizar aparatos eléctricos, toma precauciones de seguridad, incluyendo las siguientes.

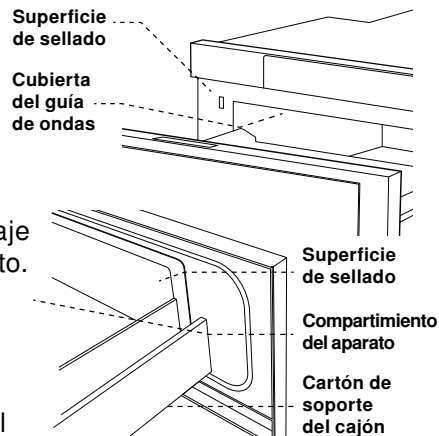
pertinentes.

- 1 Lee todas las instrucciones antes de utilizar el aparato.
- 2 Lee y sigue apropiadamente las **PRECAUCIONES PARA EVITAR LA POSIBLE EXPOSICIÓN A UNA ENERGÍA EXCESIVA DE MICROONDAS** en la página 3.
- 3 Este aparato debe estar conectado a tierra correctamente. Lee y sigue de forma apropiada las **INSTRUCCIONES DE CONEXIÓN A TIERRA** en la página 5.
- 4 Instala o ubica este aparato únicamente según el manual de instalación proporcionado. Haz que el instalador identifique la ubicación del interruptor o fusible. Márcalo para una referencia fácil. Para prevenir accidentes y lograr una ventilación óptima, asegúrate de que haya suficiente espacio alrededor del área de cocción.
- 5 Algunos productos en recipientes sellados, como huevos enteros y frascos de vidrio cerrados, pueden explotar y no deben calentarse en este horno microondas.
- 6 Utiliza este aparato únicamente para su propósito previsto según se describe en este manual. Este aparato está diseñado únicamente para su uso doméstico empotrado. No lo utilices para calentar una habitación. No utilices productos químicos corrosivos o vapores en este aparato. Este aparato está diseñado específicamente para calentar, cocinar o secar alimentos. No está diseñado para su uso industrial o de laboratorio.
- 7 **LOS CONTENIDOS CALIENTES PUEDEN CAUSAR QUEMADURAS GRAVES. NO DEJES QUE LOS NIÑOS UTILICEN EL MICROONDAS.** Ten precaución al retirar objetos calientes.
- 8 No cubras ni bloques ninguna abertura en el aparato.
- 9 No almacenes ni utilices este aparato al aire libre o en áreas cercanas al agua, como cerca de un fregadero de cocina, en un sótano húmedo, cerca de una piscina o ubicaciones similares.
- 10 No sumerjas el cable o el enchufe en el agua. Mantén el cable alejado de superficies calientes.
- 11 Mantén los dedos y la ropa alejados de las guías del cajón al abrir o cerrar el cajón. Los dedos o la ropa podrían quedar atrapados en las guías al cerrar el cajón.
- 12 Los alimentos y recipientes deben ser más bajos en altura que el cajón. Consulta la altura de las paredes laterales del cajón.
- 13 Utiliza solo jabones o detergentes suaves y no abrasivos aplicados con una esponja o paño suave cuando limpies las superficies de sellado que se unen al cerrar el cajón. Consulta la sección **Limpieza y cuidado** en la página 19.
- 14 Para reducir el riesgo de incendio en el compartimiento del aparato, toma las siguientes precauciones:
  - a. No cocines en exceso los alimentos.
  - b. Presta especial atención al aparato cuando se coloquen papel, plástico u otros materiales combustibles dentro del aparato para facilitar la cocción.
  - c. Retira las ataduras metálicas de papel o bolsas de plástico antes de colocarlas en el aparato.
  - d. No utilices el compartimiento como almacenamiento. No dejes productos de papel, utensilios de cocina o alimentos en el aparato cuando no esté en uso. Si los materiales dentro del aparato se incendian, mantén cerrado el cajón, toca la tecla **Stop/Clear (Detener/Borrar)** dos veces para cancelar el programa de cocción y apaga la alimentación en el fusible o panel del interruptor.
- 15 Los líquidos, como el agua, el café o el té, pueden sobrecalentarse más allá del punto de ebullición sin mostrar signos de ebullición debido a la tensión superficial del líquido. Al retirar el recipiente del aparato, la ebullición o burbujeo a simple vista no siempre está presente. Esto podría resultar en **QUEMADURAS GRAVES CUANDO LOS LÍQUIDOS MUY CALIENTES SE DERRAMAN REPENTINAMENTE AL INSERTAR UNA CUCHARA U OTRO UTENSILIO EN EL LÍQUIDO.** Para reducir el riesgo de lesiones en las personas, toma las siguientes precauciones:
  - a. No sobrecalientes los líquidos.
  - b. Revuelve los líquidos antes y a la mitad del calentamiento.
  - c. No utilices recipientes con lados rectos y cuellos estrechos. Utiliza recipientes de boca ancha.
  - d. Tras el calentamiento, deja que el recipiente repose en el aparato durante al menos 20 segundos antes de retirarlo.
  - e. Ten mucho cuidado al insertar una cuchara u otro utensilio en los líquidos después de calentarlos.
- 16 No repares ni reemplaces ninguna parte de este aparato a menos que esté específicamente recomendado en este manual. Si la luz del aparato falla, ponte en contacto con el Servicio de atención al cliente de Thermador.
- 17 No utilices termómetros de cocina comunes en el aparato. La mayoría de los termómetros de cocina contienen mercurio y pueden causar un arco eléctrico, un mal funcionamiento o daños al aparato.
- 18 Para evitar el mal funcionamiento de marcapasos, consulta con tu médico o el fabricante del marcapasos sobre los efectos de la energía de microondas en el marcapasos.
- 19 No almacenes ni utilices materiales inflamables o combustibles, gasolina u otros vapores y líquidos inflamables cerca de este aparato.
- 20 Ten cuidado al retirar objetos calientes. Utiliza solo agarraderas secas. Las agarraderas húmedas o mojadas en superficies calientes pueden causar quemaduras por vapor. No dejes que las agarraderas toquen superficies calientes o radiantes. No utilices toallas u otros paños voluminosos.

# Información importante

## Acerca del desempaque y la revisión del aparato

- 1 Retira todos los materiales de embalaje del interior del aparato. Retira la etiqueta de características, si la hay, del exterior del aparato. Retira el cartón de soporte del cajón de la unidad.



**IMPORTANTE:** NO RETIRES LA CUBIERTA DE LA GUÍA DE ONDAS UBICADA EN LA PARTE SUPERIOR DEL COMPARTIMIENTO DEL APARATO.

- 2 Verifica el cajón en busca de cualquier daño, como desalineamientos o dobleces, sellos del cajón y superficies de sellado dañados, guías del cajón rotas o sueltas, así como abolladuras dentro del compartimiento o en el lado frontal del cajón. Si hay algún daño, no operes el aparato. Ponte en contacto con tu distribuidor o el Servicio de atención al cliente de Thermador.

### • ESTADO DE LA UNIDAD

No operes ningún aparato con un cable dañado o después de que el aparato haya fallado o haya sido dañado en cualquier forma. Devuelve el aparato al centro de servicio autorizado más cercano para su revisión, reparación o modificación.

### ⚠ ADVERTENCIA

#### ADVERTENCIA DE SERVICIO Y REPARACIÓN

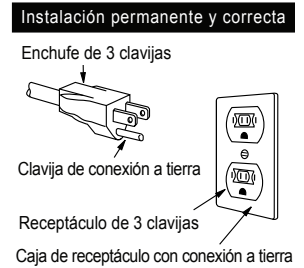
No repares ni reemplaces ninguna parte del aparato. Si la pantalla, el aparato o los controles táctiles fallan, consulta a un técnico autorizado de Thermador.

### • INTERFERENCIA DE RADIO O TELEVISIÓN

Si el cajón microondas causa alguna interferencia en su radio o televisión, verifica si el aparato está en un circuito eléctrico diferente, reubica la radio o televisión lo más lejos posible del aparato o revisa la posición y señal de la antena receptora.

# INSTRUCCIONES DE CONEXIÓN A TIERRA

Este aparato debe estar conectado a tierra. El cajón microondas está equipado con un cable que tiene un conductor de tierra con un enchufe de conexión a tierra. Debe enchufarse en un receptáculo de pared que esté correctamente instalado y conectado a tierra según el Código Eléctrico Nacional y los códigos y ordenanzas locales. En caso de un cortocircuito eléctrico, la conexión a tierra reduce el riesgo de descarga eléctrica al proporcionar un cable de escape para la corriente eléctrica.



Si tienes alguna pregunta sobre las instrucciones de conexión a tierra o eléctricas, consulta a un electricista calificado.

### ⚠ WARNING

El uso inadecuado del enchufe de conexión a tierra puede resultar en un riesgo de descarga eléctrica. **No utilices un cable de extensión. Si el cable de alimentación es demasiado corto, haz que un electricista calificado instale un tomacorriente cerca del aparato.**

## Acerca del cajón microondas

### • ABSORBA LA ENERGÍA DE MICROONDAS

Cuando el cajón microondas esté en uso, SIEMPRE ten comida en el compartimiento para absorber la energía de microondas. El cajón microondas es solo para la preparación de alimentos. No debe utilizarse para secar ropa, periódicos u otros elementos que no sean alimentos.

### • ABRA Y CIERRE CON CUIDADO

Al abrir o cerrar rápidamente el cajón microondas, la comida en el aparato puede derramarse. Consulta la sección **Limpieza y cuidado** en la página 19.

### ⚠ ADVERTENCIA

#### EL CALENTAMIENTO DEL EXTERIOR ES NORMAL

Es normal que el exterior del aparato esté caliente al tacto durante la cocción o el recalentamiento.

#### NO BLOQUEES LA VENTILACIÓN

NUNCA cubras ni obstruyas la ventilación sobre y debajo del cajón microondas. Durante el uso del microondas, puede salir vapor del ventilador inferior del lado izquierdo. Revisa el área de ventilación después de cada uso y límpiala si es necesario.

### • LA CONDENSACIÓN ES NORMAL

Es normal que el uso del microondas produzca condensación. Su cantidad está relacionada con el contenido de humedad de los alimentos y del ambiente.

### • LA ALTERNANCIA DEL MAGNETRÓN ES NORMAL

Se puede escuchar la alternancia del magnetrón encendiéndose y apagándose durante el uso del microondas con niveles de potencia inferiores al 100 %.

### • LA POTENCIA ES DE 950 VATIOS

Este cajón microondas tiene una potencia de 950 vatios según el Procedimiento de Pruebas IEC. Al usar recetas o instrucciones de paquetes, revisa los alimentos uno o dos minutos antes del tiempo mínimo y añade tiempo según sea necesario.

## Acerca de la cocción en microondas

### • COLOCA LOS ALIMENTOS CON CUIDADO

Coloca las partes más gruesas de los alimentos hacia el exterior del plato.

### • VIGILA EL TIEMPO DE COCCIÓN

Al seguir recetas o instrucciones de paquetes, revisa los alimentos para verificar su cocción uno o dos minutos antes del tiempo mínimo y añade tiempo según sea necesario.

### • CUBRA LOS ALIMENTOS MIENTRAS SE COCINAN

Los recubrimientos evitan salpicaduras y ayudan a que los alimentos se cocinen de manera uniforme.

Revisa los libros de cocina y las recetas para obtener sugerencias sobre recubrimientos, como toallas de papel, papel encerado, envolturas de plástico aptas para microondas o tapas. Consulta Acerca de los utensilios y los recubrimientos en la página 6.

### • REVUELVE LOS ALIMENTOS REGULARMENTE

Revuelve los alimentos una o dos veces durante la cocción en el microondas. Siempre que sea posible, revuelve desde el exterior hacia el centro del plato.

### • VOLTEA LOS ALIMENTOS

Voltea alimentos como pollo y hamburguesas al menos una vez durante la cocción en el microondas para acelerar la cocción. Los elementos grandes como los asados deben voltearse al menos una vez.

### • REORDENA LOS ALIMENTOS

Reordena alimentos como albóndigas a la mitad de la cocción en el microondas, moviendo los trozos de arriba a abajo y de izquierda a derecha.

### • INCLUYE UN TIEMPO DE REPOSO

El tiempo de reposo permite que la cocción termine sin sobrecocinar los alimentos. Después de cocinar en el microondas, retira los alimentos, revuelve si es posible y cúbrelos durante el tiempo de reposo.

### • REvisa la COCCIÓN

Busca señales que indiquen que se ha alcanzado la temperatura de cocción. Las señales de cocción incluyen:

- los alimentos emiten vapor por todas partes, no solo en los bordes
- el centro de la parte inferior del plato está muy caliente al tacto
- las articulaciones de los muslos de las aves se mueven con facilidad
- la carne y las aves no muestran un color rosado
- el pescado está opaco y se desmenuza fácilmente con un tenedor

Utiliza un termómetro para carne con el fin de verificar si los alimentos se han cocinado a la temperatura segura. Consulta **Acerca de la seguridad alimentaria** en la página 7.

### • PARA MÁS RECOMENDACIONES

Un buen libro de cocina para microondas puede proporcionarte fundamentos, técnicas, consejos y recetas para cocinar en el microondas.

## Acerca de los utensilios y los recubrimientos

### • UTENSILIOS

No es necesario comprar utensilios totalmente nuevos para cocinar en el microondas. Muchas de las piezas que ya están en su cocina se pueden utilizar sin problemas en el cajón microondas.

| Utensilios seguros                                 | NO UTILICES                                   |
|--|---|
| • Vitrocerámica                                    | • Sartenes y utensilios para hornear de metal |
| • heat-resistant glass                             | • Platos con adornos metálicos                |
| • Vidrio resistente al calor                       | • Vidrio no resistente al calor               |
| • Plásticos aptos para microondas                  | • Plásticos no aptos para microondas          |
| • Cerámica, gres y porcelana aptos para microondas | • Productos de papel reciclado                |
| • Plato para dorar*                                | • Bolsas de papel color café                  |
| • Madera, paja y mimbre*                           | • Bolsas de almacenamiento de alimentos       |
|  | • Sujetadores de alambre                      |
|  | • Papel de aluminio                           |

\* **IMPORTANTE** No excedas el tiempo de precalentamiento recomendado para un plato para dorar. Cocina solo alimentos con bajo contenido de grasa y azúcar en utensilios de madera, paja y mimbre.

## • RECUBRIMIENTOS

Utiliza recubrimientos para evitar salpicaduras y ayudar a que los alimentos se cocinen de manera uniforme. Hay varios recubrimientos diferentes para adaptarse a necesidades únicas. Las tapas aptas para microondas mantienen el calor cerca de los alimentos, acelerando la cocción, y las bolsas de cocción para horno se pueden utilizar para ablandar grandes piezas de carne. Consulta libros de cocina y recetas para obtener más sugerencias de recubrimientos.

---

### Recubrimientos seguros NO UTILICES

---

- |   |   |
|---|---|
| • Toallas de papel                            | • Toallas de papel reciclado                    |
| • Papel encerado                              | • Envoltura de plástico no apta para microondas |
| • Envoltura de plástico apta para microondas* | • Tapas de metal o tapas con adornos metálicos  |
| • Tapas aptas para microondas                 | • Ataduras de bolsas de horno                   |
| • Bolsas de cocción para horno                |   |

---

\* **IMPORTANTE** Ventila la envoltura de plástico y las bolsas de cocción para horno para que pueda escapar el vapor. No permitas que la envoltura de plástico toque los alimentos.

---

## Acerca de la seguridad alimentaria

Cocina los alimentos a las temperaturas seguras recomendadas por el Departamento de Agricultura de los Estados Unidos (USDA). Para verificar la temperatura interna de los alimentos y determinar si están cocidos, inserta un termómetro de carne en una zona gruesa o densa apartada de la grasa o el hueso.

---

### ADVERTENCIA

NUNCA dejes un termómetro en los alimentos durante la cocción en el microondas a menos que el termómetro esté aprobado para su uso en microondas.

---

|         |                |
|---------|----------------|
| pescado | - 145°F (63°C) |
|---------|----------------|

|  |                |
|--|----------------|
| cerdo, carne molida de res/<br>ternera/cordero, platos con huevo | - 160°F (71°C) |
|--|----------------|

|  |                |
|--|----------------|
| pavo/pollo/pato entero, en trozos y molido, sobrante, listo para recalentar, refrigerado, alimentos deli y para llevar | - 165°F (74°C) |
|--|----------------|

---

## Acerca de los niños y el cajón microondas

---

### WARNING

---

LOS CONTENIDOS CALIENTES PUEDEN CAUSAR QUEMADURAS GRAVES. NO DEJES QUE LOS NIÑOS UTILICEN EL HORNO MICROONDAS. Ten precaución al retirar objetos calientes. La falta de supervisión de los niños puede provocar quemaduras o lesiones graves. Los niños y las mascotas no deben quedarse solos o sin supervisión en el área donde se utiliza el aparato. Nunca se les debe permitir jugar en las proximidades del aparato, ya sea que esté

Cuando los niños sean lo suficientemente mayores como para usar el aparato, es responsabilidad de los padres o tutores legales asegurarse de que sean supervisados e instruidos en prácticas seguras por personas calificadas. Consulta **Cómo bloquear el panel de control** en la página 9.

---

### Advertencia de la Proposición 65:

Este producto puede contener una sustancia química conocida por el Estado de California que puede causar cáncer o daños reproductivos. Por lo tanto, el empaquetado de su producto puede llevar la siguiente etiqueta según lo requerido por California:

#### ADVERTENCIA DE LA PROPOSICIÓN 65 DEL ESTADO DE CALIFORNIA:

#### ADVERTENCIA

Cáncer y daño reproductivo -

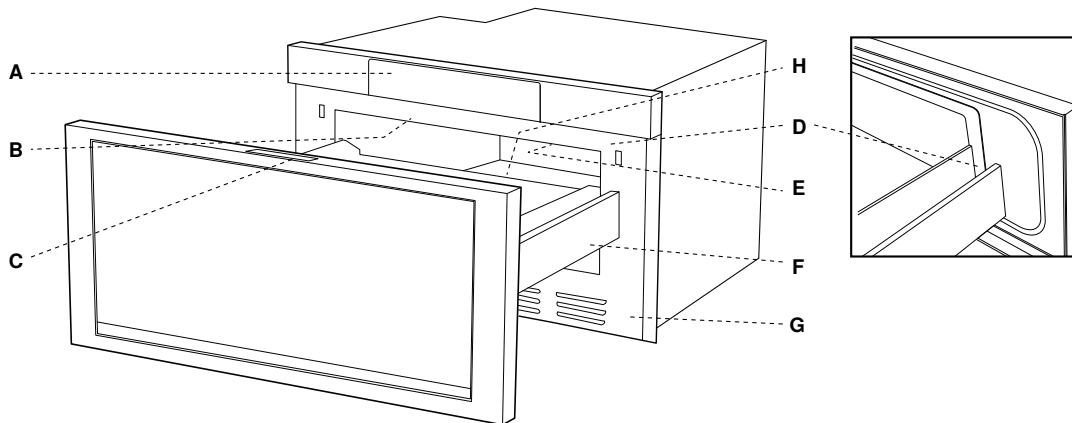
[www.P65Warnings.ca.gov](http://www.P65Warnings.ca.gov)

## Acerca de los alimentos

| Alimento                             | Qué hacer   | Qué no hacer  |
|--------------------------------------|---|---|
| huevos, embutidos, frutas y verduras | <ul style="list-style-type: none"> <li>• Pincha las yemas de los huevos antes de cocinarlas para evitar que exploten.</li> <li>• Perfora la cáscara o envoltura de las papas, manzanas, calabazas, hot dogs y embutidos para que escape el vapor.</li> </ul>  | <ul style="list-style-type: none"> <li>• No cocines los huevos con cáscara.</li> <li>• No recalientes los huevos enteros.</li> <li>• No seques nueces ni semillas con cáscara.</li> </ul>   |
| Palomitas de maíz                    | <ul style="list-style-type: none"> <li>• Usa palomitas de maíz especialmente empaquetadas para cocinar en microondas.</li> <li>• Escucha cómo disminuye el sonido de los granos de maíz reventándose hasta 1 o 2 segundos entre reventones para evitar que se cocinen demasiado.</li> <li>• Utiliza la función especial para palomitas de maíz tocando la tecla <b>Popcorn (Palomitas de maíz)</b>.</li> </ul>                                  | <ul style="list-style-type: none"> <li>• No coloques palomitas de maíz en bolsas de papel marrón normales ni en tazones de vidrio.</li> <li>• No excedas el tiempo máximo de cocción indicado en las instrucciones del paquete.</li> </ul>  |
| Comida para bebés                    | <ul style="list-style-type: none"> <li>• Transfiere la comida para bebés a un plato pequeño y caliéntala con cuidado, revolviéndola con frecuencia.</li> <li>• Revisa la temperatura antes de servir.</li> </ul> <p>Prueba la temperatura de las botellas con tu muñeca antes de servir.</p> <ul style="list-style-type: none"> <li>• Coloca las tetinas en los biberones <b>DESPUÉS</b> de calentarlos. Agita bien antes de servir.</li> </ul> | <ul style="list-style-type: none"> <li>• No calientes botellas descartables.</li> <li>• No calientes biberones con la tetina puesta.</li> <li>• No calientes los alimentos para bebés en frascos originales.</li> </ul>   |
| Generalidades                        | <ul style="list-style-type: none"> <li>• Corta los productos horneados rellenos después de calentarlos para liberar vapor.</li> <li>• Revuelve los líquidos con energía antes y después de calentarlos para evitar erupciones.</li> <li>• Utiliza un recipiente hondo cuando cocine líquidos y cereales para evitar que hiervan. Consulta la altura de las paredes laterales del cajón.</li> </ul>  | <ul style="list-style-type: none"> <li>• No calientes ni cocines en frascos de vidrio cerrados o recipientes herméticos.</li> <li>• No utilices el microondas para enlatar, ya que es posible que no se destruyan las bacterias dañinas.</li> <li>• No frías con mucha grasa en el microondas.</li> <li>• No seques madera, calabazas, hierbas ni papeles húmedos.</li> </ul> |

# Part Names

## Drawer Microwave



**A** Panel de control

**B** Cubierta de la guía de ondas - NO RETIRAR

**C** Etiqueta del menú

**D** Superficies de sellado del cajón

**E** Luz del cajón

**F** Guías del cajón

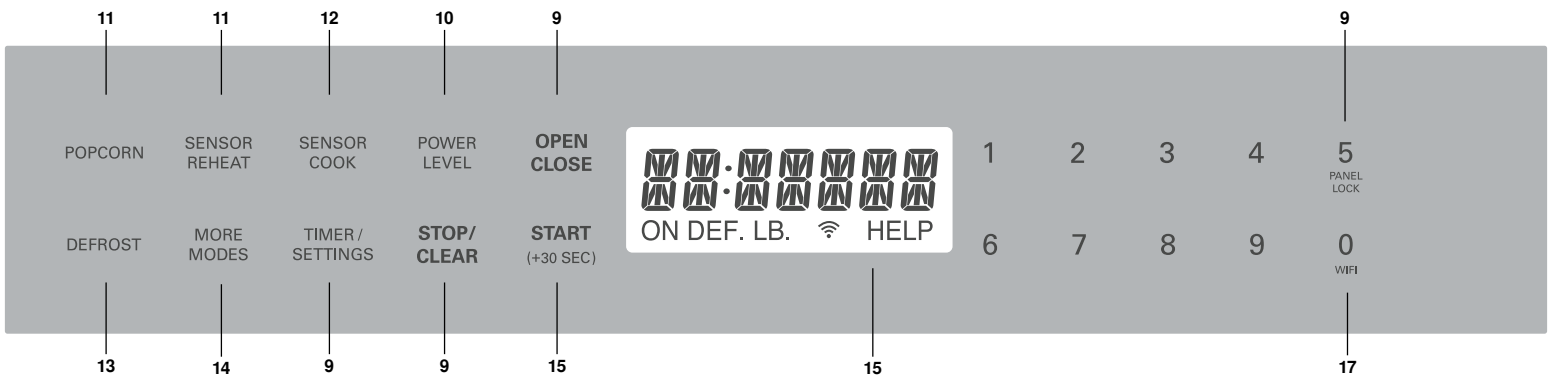
**G** Ventilación

**H** Placa de identificación: abre completamente el cajón. La etiqueta está más allá de la pared posterior del compartimiento del cajón microondas mirando hacia arriba desde la superficie plana.

## Teclado

MD24BS

MD30BS



Los números junto a la ilustración del teclado indican las páginas en las que hay descripciones de funciones e información sobre el uso.

## Etiqueta del menú

| SENSOR COOK      |                            | DEFROST             | MORE MODES             |                                |
|------------------|----------------------------|---------------------|------------------------|--------------------------------|
| 1 Baked Potatoes | 6 Fresh Vegetables: Quick  | 1 Ground Meat       | 1 Melt Butter          | 7 Beverage Reheat              |
| 2 Sweet Potatoes | 7 Fresh Vegetables: Longer | 2 Steaks/Chops      | 2 Melt Chocolate       | 8 Hot Water                    |
| 3 Fish/Seafood   | 8 Frozen Vegetables        | 3 Boneless Poultry  | 3 Soften Ice Cream     | 9 Hot Cereal                   |
| 4 Brown Rice     | 9 Ground Meat              | 4 Bone-in Poultry   | 4 Soften Cream Cheese  | 10 Reheat Fresh Rolls/Muffins  |
| 5 White Rice     | 10 Frozen Entrees          | 5 Roast             | 5 Warm Syrup           | 11 Reheat Frozen Rolls/Muffins |
|                  |                            | 6 Casserole or Soup | 6 Warm Dessert Topping | 12 Keep Warm                   |

TLAB-B158MRFR0

# Antes del primer uso

Antes del primer uso de su cajón microondas, lee y comprende completamente este Manual de uso y cuidado. Asegúrate de que el aparato esté instalado correctamente siguiendo todas las instrucciones incluidas en el Manual de instalación y además de que todos los materiales de empaquetado, incluyendo la cinta protectora, hayan sido completamente y correctamente retirados.

Para operar el aparato, sigue estos pasos:

**1** Enchufa el cajón microondas. En la pantalla, aparece: ENJOY YOUR MICRO- WAVE TOUCH CLEAR (DISFRUTA DE TU MICROONDAS, TOCA BORRAR).

**2** Toca la tecla **Stop/Clear** (Detener/Borrar).

## Cómo configurar el reloj

**1** Toca la tecla **Timer/Settings (Temporizador/Configuración)** En la pantalla, aparece: TO SET CLOCK ENTER TIME (PARA CONFIGURAR EL RELOJ, INGRESA LA HORA).

**2** Usa el teclado **numérico** para ingresar la hora del día. En la pantalla, aparece: TOUCH CLOCK (TOCA EL RELOJ).

**3** Toca la tecla **Timer/Settings (Temporizador/Configuración)** para aceptar la hora del día ingresada.

## Cómo configurar el temporizador

**1** Toca dos veces la tecla **Timer/Settings (Temporizador/Configuración)** En la pantalla, aparece: TO SET CLOCK ENTER TIME (PARA CONFIGURAR EL RELOJ, INGRESA LA HORA).

**2** Usa el teclado numérico para ingresar la hora. En la pantalla, aparece: TOUCH TIMER (TEMPORIZADOR TOCTIL). Empieza el conteo regresivo.

**3** Toca la tecla **Start (+30 secs) (Iniciar [+30 segundos])** para cancelar el temporizador. Una señal audible sonará cuando el conteo regresivo termine.

## Cómo abrir o cerrar el cajón microondas

Presiona siempre la tecla **Open (Abrir)** o **Close (Cerrar)** en el panel de control para abrir o cerrar el cajón. No empujes ni tires del cajón con mano, excepto en caso de emergencia, como en un corte de energía. Si es necesario, empuja o tira lentamente.

## Stop/Clear (Detener/Borrar)

Toca la tecla **Stop/Clear (Detener/Borrar)** para:

- borrar un error
- cancelar el temporizador
- pausar el calentamiento
- regresar la hora del día a la pantalla
- cancelar un programa
- cancelar la cocción programada

## Corte de energía

Si se interrumpe el suministro eléctrico a tu cajón microondas, la pantalla mostrará de forma intermitente: ENJOY YOUR MICRO- WAVE TOUCH CLEAR (DISFRUTA DE TU MICROONDAS, TOCA PARA BORRAR) una vez que se restablezca la energía. Si esto ocurre durante la cocción, la programación se borrará. La hora del día también se borrará. Solo tienes que tocar la tecla **Stop/Clear (Detener/Borrar)** y restablecer el reloj.

## Cómo bloquear el panel de control

El bloqueo del panel evita un funcionamiento no deseado del cajón ocasionado por niños pequeños, por ejemplo. El cajón microondas puede configurarse de modo que el panel de control y el mecanismo de apertura automática de la puerta estén desactivados o bloqueados.

### • CÓMO BLOQUEAR

Toca el número **5** y mantenlo presionado por 3 segundos. En la pantalla, aparece: LOCK ON (BLOQUEADO).

### • CÓMO DESBLOQUEAR

Toca el número **5** y mantenlo presionado por 3 segundos. En la pantalla, aparece: LOCK OFF (DESBLOQUEADO).

El bloqueo del panel se cancela cuando se interrumpe el suministro de energía eléctrica a su aparato. Vuelve a configurar el bloqueo del panel cuando se restablezca la alimentación del aparato.

## Cómo conectarse a una señal Wi-Fi

Para activar el Wi-Fi en su aparato, mantén presionado "0" por 3 segundos. Para obtener instrucciones sobre cómo conectar tu cajón microondas a una señal Wi-Fi, consulta la Guía de conexión rápida por separado.

# Cocción en microondas

## Tiempo de cocción

El cajón microondas se puede programar para cocinar por un tiempo de hasta 99 minutos con 99 segundos (99.99). Siempre ingresa los segundos después de los minutos. En caso de no ingresar segundos en el tiempo de cocción, ingresa dos ceros.

• Para cocinar por 5 minutos al 100 % de potencia:

**1** Toca las teclas numéricas **5-0-0** para ingresar el tiempo de cocción. En la pantalla, aparece: 5.00 TOUCH START OR TOUCH POWER LEVEL (5.00 TOCAR INICIO O TOCAR NIVEL DE POTENCIA).

**2** Toca la tecla **Start (+30 secs) (Iniciar [+30 segundos])** para una potencia del 100 %. El temporizador en la pantalla hace un conteo regresivo.

**NOTA:** Para obtener los mejores resultados de cocción y evitar salpicaduras, algunos alimentos deben cubrirse. Consulta **Acerca de los utensilios y los recubrimientos** en la página 6 y mira las sugerencias tocando el botón **Timer/Settings (Temporizador/Configuración)** para las recomendaciones. Siempre deja que el vapor se disipe lejos del rostro y las manos al retirar cualquier recubrimiento.

## Cómo configurar el nivel de potencia

Hay once niveles de potencia preestablecidos.

El uso de niveles de potencia más bajos aumenta el tiempo de cocción, lo cual se recomienda para alimentos como queso, leche y cocción lenta de carnes. Consulta un libro de cocina para microondas o recetas para recomendaciones específicas.

• Para descongelar por 5 minutos al 30 % de potencia:

**1** Toca las teclas numéricas **5-0-0** para ingresar el tiempo de cocción. En la pantalla, aparece: 5.00 TOUCH START OR TOUCH POWER LEVEL (5.00 TOCAR INICIO O TOCAR NIVEL DE POTENCIA).

**2** Toca la tecla **Power Level (Nivel de potencia)** ocho veces para una potencia del 30 %. En la pantalla, aparece: "P-30" (Potencia al 30 %).

**3** Toca la tecla **Start (+30 secs) (Iniciar [+30 segundos])**.

| TOQUE EL PAD DE NIVEL DE POTENCIA NÚMERO DE VECES PARA OBTENER LA POTENCIA DESEADA | PORCENTAJE APROXIMADO DE POTENCIA | PALABRAS COMUNES PARA NIVELES DE POTENCIA |
|--|-----------------------------------|---|
| POWER LEVEL x 1  | 100%                              | Alta                                      |
| POWER LEVEL x 2  | 90%                               |   |
| POWER LEVEL x 3  | 80%                               |   |
| POWER LEVEL x 4  | 70%                               | Altura Media                              |
| POWER LEVEL x 5  | 60%                               |   |
| POWER LEVEL x 6  | 50%                               | Medio                                     |
| POWER LEVEL x 7  | 40%                               |   |
| POWER LEVEL x 8  | 30%                               | Medio bajo/descongelar                    |
| POWER LEVEL x 9  | 20%                               |   |
| POWER LEVEL x 10   | 10%                               | Bajo                                      |
| POWER LEVEL x 11   | 0%                                |   |

## Configuración del sensor

El sensor es un dispositivo semiconductor que detecta el vapor (sudor y humedad) que los alimentos emiten a medida que se calientan. El sensor modifica los tiempos de cocción y los niveles de potencia para varios alimentos y cantidades.

### Utilizar la configuración del sensor:

- 1 Espera dos minutos después de haber enchufado el aparato antes de usar una configuración del sensor.
- 2 Limpia la humedad del exterior del recipiente de los alimentos y el interior del compartimiento del microondas antes de usar una configuración del sensor.
- 3 El sensor funciona con alimentos a temperatura normal de almacenamiento. Por ejemplo, las palomitas de maíz estarían a temperatura ambiente.
- 4 Cualquier selección de sensor se puede programar con la función Aumentar o disminuir tiempo. Consulta la página 15.
- 5 Los alimentos en cantidades diferentes a las enumeradas en la etiqueta del menú se pueden cocinar manualmente según las instrucciones que se encuentran en cualquier libro de cocina para microondas.
- 6 Durante la primera parte del uso del sensor, el nombre del alimento aparecerá en la pantalla. No abras el cajón ni toques la tecla **Stop/Clear (Detener/Borrar)** durante esta parte del ciclo. De lo contrario, interrumpirás la medición de vapor. Si esto ocurre, aparecerá un mensaje de error. Para continuar cocinando, toca la tecla **Stop/Clear (Detener/Borrar)** y cocina manualmente.

Cuando el sensor detecta el vapor emitido por los alimentos,

el tiempo restante de cocción/recalentamiento aparece en la pantalla. En este momento, el cajón se puede abrir para poder revolver o sazonar los alimentos. Cuando se abre el cajón, el aparato estará en estado de pausa.

- 7 Si el sensor no detecta el vapor correctamente cuando cocines alimentos (excepto palomitas de maíz), en la pantalla aparecerá: **ERROR**. Para continuar cocinando, toca la tecla **Stop/Clear (Detener/Borrar)** y cocina manualmente.
- 8 Revisa la temperatura de los alimentos después de cocinarlos. Si se necesita un tiempo adicional, continúa cocinando manualmente.
- 9 Cada alimento tiene un toque de cocción. Toca la tecla **Timer/Settings (Temporizador/Configuración)** cuando el indicador de **HELP (AYUDA)** se ilumina en la pantalla.

## Palomitas de maíz / Sensor de recalentamiento

Puedes hacer palomitas de maíz y recalentar muchos alimentos sin la necesidad de calcular el tiempo de cocción ni el nivel de potencia.

Toca la tecla **Sensor Reheat (Sensor de recalentamiento)** o **Popcorn (Palomitas de maíz)**, luego toca la tecla **Start (+30 secs) (Iniciar [+30 segundos])**.

Cuando el sensor detecta el vapor emitido por los alimentos, aparecerá el resto del tiempo de cocción/recalentamiento.

### Nota:

- La configuración de palomitas de maíz tiene 2 opciones. Sigue las instrucciones en la pantalla para elegir la opción deseada.

### Tabla de Palomitas de maíz / Sensor de recalentamiento

| Alimento                  | Cantidad                                   | Procedimiento   |
|---------------------------|--|---|
| Palomitas de maíz         | Solo 1 paquete a la vez                    | Usa solo palomitas de maíz empaquetadas para el microondas. Cocina solo un paquete de palomitas de maíz para microondas a la vez y siempre con el lado correcto hacia arriba. No intentes hacer reventar los granos de maíz que no hayan explotado.   |
|                           | 2.85 - 3.5 oz<br>(Regular / Regular light) | Toca la tecla <b>Popcorn (Palomitas de maíz)</b> una vez para el tamaño regular, luego toca la tecla <b>Start (+30 secs) (Iniciar [+30 segundos])</b> .   |
|                           | 1.2 - 1.75 oz<br>(Mini o snacks)           | Touch the <b>popcorn</b> key twice for mini or snack size, then touch the <b>start (+30 secs)</b> key.  |
| Sensor de recalentamiento | 4 - 36 oz                                  | Coloca los alimentos en un plato apto para microondas un poco más grande que los alimentos que deseas recalentar y cúbrelos con una tapa apta para microondas, una envoltura de plástico o papel encerado.<br>Toca la tecla <b>Sensor Reheat (Sensor de recalentamiento)</b> , luego toca la tecla <b>Start (+30 secs) (Iniciar [+30 segundos])</b> .<br>Después de recalentar, destapa con cuidado los alimentos para evitar el vapor y revuelve bien los alimentos. Vuelve a cubrir los alimentos y déjalos reposar de 2 a 3 minutos. |

## Sensor de cocción

- 1 Toca la tecla **Sensor Cooking (Sensor de cocción)**. En la pantalla, aparece: SEE LABEL SELECT FOOD NUMBER (CONSULTA LA ETIQUETA, SELECCIONA EL NÚMERO DE ALIMENTO)
- 2 Mira la etiqueta del menú y toca una tecla **numérica** para seleccionar un alimento.
- 3 Toca la tecla **Start (+30 secs) (Iniciar [+30 segundos])**. En la pantalla, aparecerá el nombre del alimento seleccionado y **SENSOR COOK (SENSOR DE COCCIÓN)** durante la medición del vapor. Una vez que se ha medido el

vapor, el tiempo de cocción aparece en la pantalla y empieza el conteo regresivo.

- 4 Una vez que se complete la cocción, en la pantalla aparecerán instrucciones como **STIR LET STAND COVERED (REVUELVE Y DEJA REPOSAR CUBIERTO)**, según el alimento. Consulta la tabla a continuación para obtener más información.

**NOTA:** Para calentar o cocinar otros alimentos o alimentos por encima o por debajo de la cantidad indicada en la Tabla del Sensor de cocción, cocina manualmente.

**Tabla del Sensor de cocción**

| Food   | Amount   | Procedure  |
|--|--|--|
| <b>1</b> Papas al horno  | 1 - 6 media  | Perfora las papas al menos tres veces cada una en la parte superior, inferior y lateral para permitir que escape el vapor. Coloca las papas en una toalla de papel.<br>Después de cocinar, retira las papas del aparato, envuélvelas en papel de aluminio y déjalas reposar de 5 a 10 minutos.   |
| <b>2</b> Camotes   | 1 - 6 media  |  |
| <b>3</b> Pescados/Mariscos   | 0.25 - 2.0 lb  | Acomoda el pescado o el marisco formando un anillo en un plato de vidrio poco profundo (enrolla los bordes del filete por debajo). Cúbrela con una envoltura plástica ventilada apta para microondas.<br>Después de cocinar, déjalo tapado y que repose por 3 minutos.   |
| <b>4</b> Arroz integral  | 4 - 16 oz  | Coloca el arroz en una cacerola grande y profunda, y añade el doble de agua. Por ejemplo, para 8 onzas de arroz seco, utiliza una cacerola de 64 oz y añada 16 oz de agua. Cúbrela con una tapa apta para microondas o una envoltura de plástico. Después de cocinar, revuélvelo, vuelve a cubrirlo y que repose de 3 a 5 minutos o hasta que se haya absorbido todo el líquido.   |
| <b>5</b> Arroz blanco  | 4 - 16 oz  |  |
| <b>6</b> Verduras frescas:<br>Rápido brócoli<br>coles de bruselas<br>col<br>coliflor (en trozos)<br>coliflor (entera)<br>espinaca<br>calabacitas<br>manzanas horneadas | 0.25 - 2 lb<br>0.25 - 2 lb<br>0.25 - 2 lb<br>0.25 - 2 lb<br>1 media<br>0.25 - 2 lb<br>0.25 - 2 lb<br>2 - 4 media | Lava las verduras frescas y colócalas en una cacerola. No añadas agua a las verduras recién lavadas. Para verduras blandas, cúbrelas con una tapa apta para microondas. Para verduras blandas y crujientes, cúbrelas con una envoltura de plástico apta para microondas.<br>Después de cocinar, revuélvalas si es posible, vuelve a cubrir las y déjalas reposar de 2 a 5 minutos. |
| <b>7</b> Verduras frescas:<br>Más largo<br>zanahorias (en rodajas)<br>mazorca de maíz ejotes<br>calabaza de invierno (en cubitos)<br>calabaza de invierno (en mitades) | 0.25 - 1.5 lb<br>2 - 4 piezas<br>0.25 - 1.5 lb<br>0.25 - 1.5 lb<br>1 - 2   | Lava las verduras frescas y colócalas en una cacerola. Añade de 1 a 4 cucharadas de agua. Para verduras blandas, cúbrelas con una tapa apta para microondas. Para verduras blandas y crujientes, cúbrelas con una envoltura de plástico apta para microondas.<br>Después de cocinar, revuélvalas si es posible, vuelve a cubrir las y déjalas reposar de 2 a 5 minutos.            |
| <b>8</b> Verduras congeladas   | 0.25 - 1.25 lb   | Coloca las verduras congeladas en una cacerola. No añadas agua a las verduras congeladas. Cúbrela con una tapa apta para microondas o una envoltura de plástico.<br>Después de cocinar, revuélvalas si es posible, vuelve a cubrir las y déjalas reposar durante 3 minutos.  |
| <b>9</b> Carne molida  | 0.25 - 2.0 lb  | Para cocinar hamburguesas de carne picada, colócalas en un plato apto para microondas y cúbrelas con papel encerado. Para cocinar carne molida en gran cantidad, colócala en una cacerola y cúbrela con papel encerado, apto para microondas o envoltura de plástico.<br>Después de cocinar, déjala tapada y que repose de 2 a 3 minutos.  |
| <b>10</b> Entradas congeladas  | 6 - 17 oz  | Retira la entrada del empaquetado exterior y cúbrela siguiendo las instrucciones del paquete.<br>Después de cocinar, déjala tapada y que repose por 3 minutos.   |

## Defrost (Descongelar)

La función Descongelar utiliza un nivel de potencia más bajo para descongelar lentamente los alimentos que se muestran en la siguiente tabla. Coloca los alimentos en un plato apto para microondas.

- 1 Toca la tecla **Defrost (Descongelar)**. En la pantalla, aparece: SEE LABEL SELECT FOOD NUMBER (CONSULTA LA ETIQUETA, SELECCIONA EL NÚMERO DE ALIMENTO)
- 2 Mira la etiqueta del menú y toca las teclas **numéricas** para seleccionar el número de alimentos. En la pantalla, aparece el nombre del alimento y ENTER WEIGHT (INGRESA EL PESO).
- 3 Toca las teclas **numéricas** para ingresar el peso. En la pantalla, aparece el peso ingresado y TOUCH START (TOCA INICIO). Toca la tecla **Start (+30 secs) (Iniciar [+30 segundos])**.
- 4 El aparato hará una pausa para poder revisar los alimentos. Abre el cajón y sigue las instrucciones que aparecen en la pantalla: PULL APART (TIRA) Y REARRANGE" (REORDENA). Toca la tecla **Start (+30 secs) (Iniciar [+30 segundos])**.
- 5 Después de cada señal audible, voltea a los alimentos y toca de nuevo la tecla **Start (+30 secs) (Iniciar [+30 segundos])**.
- 6 Al final del ciclo de descongelación, en la pantalla aparece: LET STAND COVERED (DEJA REPOSAR CUBIERTO). Consulta la tabla siguiente para conocer el tiempo de reposo recomendado.

### Nota:

- Para descongelar otros alimentos o cantidades de alimentos distintas a las indicadas en la etiqueta del menú, descongélalos manualmente. Consulta Descongelar manualmente a continuación.
- Al final del ciclo de Descongelación, es posible que pequeñas partes de los alimentos aún estén congeladas. Deja reposar los alimentos para que sigan descongelándose. No cocines hasta que estén totalmente descongelados.

### Tabla de descongelación

| Food                   | Amount                  | Procedure   |
|------------------------|-------------------------|---|
| 1 Carne molida         | 8 - 32 oz               | Después de cada señal audible, retira las piezas descongeladas y toca de nuevo la tecla <b>Start (+30 secs) (Iniciar [+30 segundos])</b> . Después de descongelar, déjala tapada y que repose de 5 a 10 minutos.                                      |
| 2 Filetes/<br>Chuletas | 8 - 48 oz               | Después de cada señal audible, retira las piezas descongeladas y toca de nuevo la tecla <b>Start (+30 secs) (Iniciar [+30 segundos])</b> . Después de descongelar, déjala tapada y que repose de 10 a 20 minutos.                                     |
| 3 Aves<br>deshuesadas  | 8 - 32 oz               | Después de cada señal audible, retira las piezas descongeladas y toca de nuevo la tecla <b>Start (+30 secs) (Iniciar [+30 segundos])</b> . Después de descongelar, déjala tapada y que repose de 10 a 20 minutos.                                     |
| 4 Aves con<br>hueso    | 8 - 48 oz               | Después de cada señal audible, retira las piezas descongeladas y toca de nuevo la tecla <b>Start (+30 secs) (Iniciar [+30 segundos])</b> . Después de descongelar, déjala tapada y que repose de 10 a 20 minutos.                                     |
| 5 Asados               | 32 - 64 oz              | Comienza a descongelarlo con la parte de la grasa hacia abajo. Después de cada señal audible, voltea el asado y toca de nuevo <b>Start (+30 secs) (Iniciar [+30 segundos])</b> . Después de descongelar, déjalo tapado y que repose de 2 a 3 minutos. |
| 6 Cacerola<br>o sopa   | 16 - 48 oz<br>8 - 48 oz | Después de cada señal audible, rompe, retira cualquier parte descongelada y toca de nuevo <b>Sart (+30 segs) (Iniciar [+30 segundos])</b> . Después de descongelar, remueve bien, vuelve a cubrir y deja reposar de 5 a 10 minutos.                   |

## Descongelar manualmente

Para descongelar otros alimentos o cantidades de alimentos distintas a las indicadas en la Tabla de descongelación, descongélalos manualmente. Utiliza el nivel de potencia 30 % para descongelar cualquier alimento congelado, ya sea que esté crudo o previamente cocinado. Sigue el procedimiento exacto de 3 pasos que se encuentra en Cómo configurar el nivel de potencia en la página 10. Calcula el tiempo de descongelación y toca la tecla de nivel de potencia ocho veces para obtener un 30 % de potencia.

La mayoría de los alimentos congelados, crudos o previamente cocinados, se descongelan en aproximadamente 4 minutos por libra (450 g) de alimento. Por ejemplo, para descongelar 1 libra (450 g) de salsa para espaguetis, descongela durante 4 minutos; para descongelar 3 libras (1.4 kg) de masa para galletas, descongela durante 12 minutos.

Pon el microondas en pausa de forma periódica para retirar o separar las porciones descongeladas.

Si los alimentos siguen congelados al final del tiempo estimado, vuelve a ajustar el nivel de potencia al 30 % y descongela en intervalos de 1 minuto hasta que estén totalmente descongelados. Si los alimentos congelados

están en recipientes de plástico aptos para microondas, descongélalos solo el tiempo suficiente como para poder retirarlos del plástico y luego colocarlos en un plato apto para microondas.

## More Modes (Más modos)

More (Más) calcula automáticamente el tiempo para cocinar y el nivel de potencia correctos del microondas para los alimentos que se muestran en la siguiente tabla.

- 1 Toca la tecla **More modes (Más modos)** una vez. En la pantalla, aparece: SEE LABEL SELECT FOOD NUMBER (CONSULTA LA ETIQUETA, SELECCIONA EL NÚMERO DE ALIMENTO)
- 2 Mira la etiqueta del menú y toca las teclas **numéricas** para seleccionar el número de alimentos. En la pantalla, aparecen el nombre del alimento y las cantidades.
- 3 Toca las teclas **numéricas** para seleccionar la cantidad.
- 4 Toca la tecla **Start (+30 secs) (Iniciar [+30 segundos])**.

### Nota:

- Aumentar o disminuir tiempo Consulta la página 15.
- Para cocinar otros alimentos o los que estén por encima o por debajo de la cantidad permitida en la Tabla más, utilice el funcionamiento manual.

### More Modes Chart

| Food   | Amount   | Procedure   |
|--|--|---|
| 1 Derretir mantequilla                       | 1 oz or 4 oz   | Coloca la mantequilla en una taza medidora de vidrio y cúbrela con una envoltura de plástico apta para microondas.  |
| 2 Derretir chocolate                         | 8 oz (237 mL) de papas fritas o 1 cuadrado (1 oz) (28 g) | Coloca el chocolate en una taza medidora de vidrio y cúbrela con una envoltura de plástico apta para microondas.  |
| 3 Suavizar helado                            | 16 oz or 48 oz   | No cubrir.  |
| 4 Suavizar queso crema                       | 3 oz or 8 oz   | No cubrir.  |
| 5 Calentar jarabe                            | 2 oz or 4 oz   | Coloca el jarabe en una taza medidora de vidrio. No cubrir.   |
| 6 Cobertura de postre tibia                  | 2 oz or 4 oz   | Coloca la cobertura en una taza medidora de vidrio. No cubrir.  |
| 7 Recalentar bebidas                         | 4 - 16 oz  | Para que una bebida fría vuelva a estar caliente, revuelve la bebida y colócala en el cajón.  |
| 8 Agua caliente                              | 8 - 48 oz  | Para calentar agua fría a una temperatura ligeramente inferior a la de ebullición, revuelve el agua y colócala en el cajón.   |
| 9 Cereales calientes                         | 4 - 24 oz  | Para calentar avena, salvado de avena, crema de trigo, fariña o wheatena a granel o en paquetes individuales, sigue las instrucciones del paquete para la cantidad correcta de agua o leche. Para evitar que se desborde al hervir, utiliza un recipiente grande. Revuelve los cereales y el líquido y colócalo en el cajón.  |
| 10 Recalentar panecillos/ muffins frescos    | 1 - 8 piezas   | Para calentar panecillos, muffins, galletas o bagels recién sacados del ambiente o del refrigerador, coloca los panecillos en un plato y cúbrelos con una toalla de papel. Para alimentos refrigerados o de mayor tamaño, duplica la cantidad ingresada para garantizar una temperatura de consumo adecuada.  |
| 11 Recalentar panecillos/ muffins congelados | 1 - 8 piezas   | Para calentar panecillos, muffins, galletas o bagels congelados, colócalos en un plato y cúbrelos con una toalla de papel.  |
| 12 Mantener caliente                         |  | Utiliza la función Mantener caliente para mantener la comida caliente hasta 30 minutos. Esta función puede utilizarse directamente o en combinación con la cocción programada. Mantener caliente utiliza un nivel de potencia muy bajo para mantener la comida caliente sin cocinarla. La función Mantener caliente no se puede programar para más de 30 minutos y no se puede programar con Palomitas de maíz, Sensor de recalentamiento, Sensor de cocción o Descongelar. |

---

## Otras características

### Cocción de secuencias múltiples

Tu cajón microondas puede ser programado para hasta 4 secuencias automáticas de cocción, cambiando de un nivel de potencia a otro automáticamente.

Algunas veces, las instrucciones de cocina indican que se empiece con un nivel de potencia y luego se cambie a otro diferente.

Tu cajón microondas puede hacer esto de automáticamente.

Para configurar varias secuencias de cocción, ingresa el tiempo de cocción y ajusta el nivel de potencia, luego ingresa el siguiente tiempo de cocción y el nivel de potencia correspondiente. Este procedimiento puede repetirse hasta cuatro veces. Una vez programadas todas las secuencias, toca la tecla **Start (+30 secs) (Iniciar [+30 segundos])**.

### Ayuda

Muchas configuraciones y alimentos del menú tienen un toque de cocción. Por ejemplo, los consejos de cocina para los camotes son:

- PERFORA LA CÁSCARA
- COLÓCALOS SOBRE PAPEL DE COCINA
- CANT. DE 1 A 6 UNIDADES

Para ver el consejo, toca la tecla **Timer/Settings (Temporizador/Configuración)** siempre que **HELP (AYUDA)** se ilumine en la pantalla interactiva.

### +30 secs (+30 segundos)

Para cocinar durante treinta segundos al 100 % de potencia, solo tienes que tocar la tecla **Start (+30 seg) (Iniciar [+30 segundos])**. Aumenta el tiempo de cocción en intervalos de treinta segundos pulsando repetidamente la tecla **+30 sec (+30 segundos)** durante la cocción manual.

#### Notas:

- **+30 secs (+30 segundos)** no se puede utilizar con la configuración de Sensor, Más o Descongelar.
- No se puede utilizar **+30 secs (+30 segundos)** después de cancelar una función de cocción tocando dos veces la tecla **Stop/Clear (Detener/Borrar)**. Para utilizar **+30 secs (+30 segundos)** después de haber cancelado una función de cocción, solo tienes que abrir y cerrar el horno microondas para restablecerla.

### Aumentar o disminuir tiempo

Para aumentar el tiempo de cocción de cualquiera de las configuraciones de Sensor de recalentamiento, Sensor de cocción, Descongelar, Palomitas de maíz o Más, toca la tecla de **nivel de potencia** una vez después de tocar tu selección.

La pantalla mostrará **MORE (AUMENTAR)**.

Para disminuir el tiempo de cocción, toca la tecla de **nivel de potencia** dos veces después de tocar tu selección.

La pantalla mostrará **LESS (DISMINUIR)**.

# Configuración

Si se interrumpe el suministro eléctrico del cajón microondas, la pantalla mostrará de forma intermitente: ENJOY YOUR MICRO- WAVE TOUCH CLEAR (DISFRUTA DE TU MICROONDAS, TOCA PARA BORRAR) una vez que se restablezca la energía.

Si esto ocurre, se borrará la configuración actual. Solo tienes que tocar la tecla **Stop/Clear (Detener/Borrar)** y restablecer.

## Eliminación de señal audible

Al final de la cocción programada, sonarán unos pitidos. La señal audible puede desactivarse si se prefiere un funcionamiento silencioso.

## Cómo desactivar el sonido

- 1 Toca ocho veces la tecla **Timer/Settings (Temporizador/Configuración)** SOUND OFF? (DESACTIVAR SONIDO?) En la pantalla, aparece: **TOUCH START (TOCA INICIO)**.
- 2 Toca la tecla **Start (+30 secs) (Iniciar [+30 segundos])**. En la pantalla, aparece: **SOUND OFF (SONIDO DESACTIVADO)**.

Para restaurar el sonido, sigue el mismo proceso.

## Recordatorio de fin de cocción

Al final de la cocción programada, el microondas emitirá una señal cada 10 segundos durante el primer minuto, y después cada 3 minutos durante un máximo de una hora o hasta que se toque la tecla **Stop/Clear (Detener/Borrar)**.

## Cómo desactivar el recordatorio

- 1 Toca nueve veces la tecla **Timer/Settings (Temporizador/Configuración)** REMIND SIGNAL OFF? (DESACTIVAR RECORDATORIO?) En la pantalla, aparece: **TOUCH START (TOCA INICIO)**.
- 2 Toca la tecla **Start (+30 secs) (Iniciar [+30 segundos])**. En la pantalla, aparece: **REMIND SIGNAL OFF (RECORDATORIO DESACTIVADO)**.

Para restaurar el recordatorio, sigue el mismo proceso.

## Modo de espera

Este microondas entrará en modo de espera tras un periodo de inactividad. La luz de fondo de la pantalla se oscurecerá automáticamente después de 3 minutos si la unidad no ha estado en funcionamiento. Si la pantalla está en modo de espera, solo tienes que tocar el panel de control o abrir/cerrar la puerta para que la luz de fondo vuelva a tener el brillo al máximo.

## Inicio automático

Para programar el cajón microondas para que comience a cocinar automáticamente a una hora determinada del día, sigue este procedimiento.

## PRECAUCIÓN

Para mantener la seguridad alimentaria, no deje los alimentos en el aparato durante más de una hora antes o después de cocinarlos.

- 1 Toca diez veces la tecla **Timer/Settings (Temporizador/Configuración)** En la pantalla, aparece: **AUTO START TOUCH START (INICIO AUTOMATICO TOCA INICIO)**.
- 2 Toca la tecla **Start (+30 secs) (Iniciar [+30 segundos])**. En la pantalla, aparece: **ENTER START TIME (INGRESA EL TIEMPO DE INICIO)**.
- 3 Ingresa el tiempo de inicio. En la pantalla, aparece: el tiempo de inicio y **TOUCH CLOCK (TOCA EL RELOJ)**.
- 4 Toca la tecla **Timer/Settings (Temporizador/Reloj)** En la pantalla, aparece: **ENTER COOKING TIME (INGRESA TIEMPO DE COCCION)**.
- 5 Toca las teclas numéricas para ingresar el tiempo de cocción. En la pantalla, aparece el tiempo de cocción y **TOUCH START OR TOUCH POWER LEVEL (TOCA INICIO O TOCA NIVEL DE POTENCIA)**. Si el nivel de potencia deseado es inferior al 100%, configura el nivel de potencia.
- 6 Toca la tecla **Start (+30 secs) (Iniciar [+30 segundos])**.

## Modo de demostración

### Cómo seleccionar el modo de demostración

- 1 Toca once veces la tecla **Timer/Settings (Temporizador/Configuración)** DEMO ON? (ACTIVAR DEMOSTRACION?) En la pantalla aparece **HOLD START 3 SEC (MANTEN INICIO POR 3 SEGUNDOS)**.
- 2 Toca la tecla **Start (+30 secs) (Iniciar [+30 segundos])** por 3 segundos. DEMO ON (DEMOSTRACION ACTIVADA)

### Cómo cancelar el modo de demostración

- 1 Toca once veces la tecla **Timer/Settings (Temporizador/Configuración)** DEMO OFF? (DESACTIVAR DEMOSTRACION?) En la pantalla, aparece: **TOUCH START (TOCA INICIO)**.
- 2 Toca la tecla **Start (+30 secs) (Iniciar [+30 segundos])**. En la pantalla, aparece: **DEMO OFF (DEMOSTRACION DESACTIVADA)**.

### Nota:

- El cajón microondas no calienta en modo de demostración.
- La pantalla realiza una cuenta atrás rápida.

# Home Connect®

Este aparato puede estar conectado a la red. Si conectas tu aparato a un dispositivo móvil, podrás controlar sus funciones a través de la aplicación Home Connect®, ajustar su configuración básica y supervisar su estado de funcionamiento.

Los servicios Home Connect® no están disponibles en todos los países. La disponibilidad de la función Home Connect® depende de la disponibilidad de los servicios Home Connect® en tu país. Puedes encontrar más información en: [www.home-connect.com](http://www.home-connect.com).

La aplicación Home Connect® te guía por todo el proceso de registro. Sigue las instrucciones de la aplicación Home Connect® para realizar las configuraciones.

## Notas:

- Ten en cuenta la información de seguridad de este manual de instrucciones y asegúrate de que se cumpla al utilizar el aparato con la aplicación Home Connect®.
- El funcionamiento del aparato en sí mismo siempre tiene prioridad. Durante este tiempo, no es posible utilizar el aparato con la aplicación Home Connect®.

## Configuración de Home Connect™

### Requisitos

- El aparato está conectado al suministro de energía eléctrica y está encendido.
  - Cuentas con un dispositivo móvil con una versión actual del sistema operativo iOS o Android, p. ej., un smartphone.
  - El dispositivo móvil y el aparato se encuentran dentro del alcance de la señal Wi-Fi de su red doméstica.
- o **1** Descarga la aplicación Home Connect™.
  - o **2** Abre la aplicación Home Connect™.
  - o **3** Sigue las instrucciones de la aplicación Home Connect™.

## ▲ ADVERTENCIA DE FUNCIONAMIENTO REMOTO

Este aparato se puede configurar para permitir su funcionamiento remoto en cualquier momento.

No coloque materiales inflamables ni objetos sensibles a la temperatura en el interior, encima o cerca de las unidades de superficie del aparato.

## Notas:

- Algunos modos de funcionamiento solo pueden iniciarse en el propio cajón microondas.

## Configuración del inicio remoto

- 1** Toca tres veces la tecla **Timer/Settings (Temporizador/Configuración)**. CONTROL OFF (CONTROL REMOTO APAGADO)  
En la pantalla, aparece: TOUCH START (TOCAR INICIO).
- 2** Toca la tecla **Start (+30 secs) (Iniciar [+30 segundos])**.  
En la pantalla, aparece: REMOTE CONTROL ON (CONTROL REMOTO ENCENDIDO).

Para desactivar el control remoto, siga el mismo proceso.

## Configuración de Home Connect™

Adapta Home Connect™ a tus necesidades. Encontrarás la configuración de Home Connect™ en la configuración básica de tu aparato. La configuración que muestre la pantalla dependerá de si se ha activado Home Connect™ y de si el aparato está conectado a la red doméstica.

### Activación de la señal Wi-Fi

Puedes utilizar las funciones de Home Connect si la señal Wi-Fi está activada.

- 1** Mantén presionada la tecla "0" del panel de control por 3 segundos.
- 2** Aparecerá ENABLING WIFI (ACTIVANDO WIFI).
- 3** Una vez conectado, aparecerá WI-FI ON WAIT FOR PAIRING (WI-FI EN ESPERA PARA EMPAREJAR). El cajón microondas ha activado con éxito la función Wi-Fi y está listo para conectarse a la red Wi-Fi doméstica y emparejarse con la aplicación Home Connect™.

## **Emparejamiento del cajón del microondas con la aplicación**

Si tienes instalada la aplicación Home Connect™ en tu dispositivo móvil, puedes conectarla a tu cajón microondas.

**Requisito:** El aparato debe estar conectado a la red.

- 1 Mantén presionada la tecla "0" del panel de control por 3 segundos.
- 2 Aparecerá **ENABLING WIFI (ACTIVANDO WIFI)**.
- 3 Una vez conectado, aparecerá **WI-FI ON WAIT FOR PAIRING (WI-FI EN ESPERA PARA EMPAREJAR)**. El cajón microondas se ha conectado con éxito a la señal Wi-Fi y está listo para emparejarse con la aplicación Home Connect™.
- 4 Abre la aplicación Home Connect™ y sigue las instrucciones para añadir un aparato.

## **Control remoto**

Si desea iniciar una función del cajón del microondas utilizando su dispositivo móvil, deberá activar el Control Remoto.

## **Desconectarse de la red**

Puedes desconectar tu cajón microondas de la red en cualquier momento.

**Nota:** Si el cajón microondas está desconectado de la red, no será posible que funcione mediante Home Connect™.

- 1 Mantén presionada la tecla "0" del panel de control por 3 segundos.
- 2 Aparecerá **WI-FI OFF (WI-FI DESACTIVADO)**. El cajón microondas se ha desconectado con éxito de la red.

## **Diagnóstico remoto**

El Servicio al Cliente puede acceder a tu aparato a través del Diagnóstico remoto si se lo solicitas, siempre que tu aparato esté conectado al servidor Home Connect™ y que el Diagnóstico remoto esté disponible en el país en el que utilizas el aparato.

**Consejo:** Para obtener más información y detalles sobre la disponibilidad del Diagnóstico remoto en tu país, consulta la sección Servicio técnico/Atención

de tu sitio web local: [www.homeconnect.com](http://www.homeconnect.com).

## **Actualización del software**

El cajón microondas verifica cada cierto tiempo si hay actualizaciones disponibles para el software Home Connect™.

Para ello, debes ser un usuario registrado de Home Connect™, tener instalada la aplicación en tu dispositivo móvil y estar conectado al servidor de Home Connect™.

Cuando haya una actualización de software disponible, se te informará mediante la app Home Connect™, desde la que también podrás descargar la actualización. Una vez que la actualización se haya descargado correctamente, puedes empezar a instalarla a través de la configuración básica de tu cajón microondas, o de la aplicación Home Connect™ si estás en tu red de área local. La aplicación Home Connect™ te avisará una vez que la instalación haya finalizado.

## **Notas:**

- Puedes seguir utilizando tu cajón microondas con normalidad mientras se descargan las actualizaciones.
- Dependiendo de tu configuración personal en la aplicación, las actualizaciones de software también se podrán descargar automáticamente.
- Recomendamos que instales las actualizaciones de seguridad lo antes posible.

## **Protección de datos**

Revisa la información sobre protección de datos.

La primera vez que se registre el aparato en una red doméstica conectada a Internet, el aparato transmitirá los siguientes tipos de datos al servidor Home Connect™ (registro inicial):

- Identificación única del aparato (compuesta por los códigos del aparato y la dirección MAC del módulo de comunicación de la señal Wi-Fi instalada).
- Certificado de seguridad del módulo de comunicación de la señal Wi-Fi (para garantizar una conexión de datos segura).
- La versión actual de software y hardware de su aparato.
- Estado de cualquier restablecimiento previo a los valores de fábrica.

Este registro inicial prepara las funciones de Home Connect™ para su uso y solo es necesario cuando quieras utilizar las funciones de Home Connect™ por primera vez.

**Nota:** Ten en cuenta que las funciones de Home Connect™ solo se pueden utilizar con la aplicación Home Connect™. La información sobre protección de datos puede encontrarse en la aplicación Home Connect™.

---

# Limpieza y cuidado

## Superficie de acero inoxidable

Siempre limpie o frote en el sentido de la veta. El exterior debe limpiarse regularmente con un paño suave y húmedo y pulirse con un paño suave seco para mantener su aspecto. También existe una gran variedad de productos diseñados especialmente para limpiar y sacar brillo al exterior inoxidable del aparato. Recomendamos aplicar el limpiador en un paño suave y utilizarlo con cuidado sobre el exterior del acero inoxidable, en lugar de rociarlo directamente sobre la superficie. Sigue cuidadosamente las instrucciones del paquete.

## Parte delantera del cajón

Limpia la ventana por ambos lados con un paño suave y húmedo para eliminar cualquier mancha o salpicadura. Las piezas metálicas serán más fáciles de mantener si se limpian regularmente con un paño suave y húmedo. Evita el uso de limpiadores en aerosol u otros productos agresivos, ya que pueden manchar, dejar rayaduras u opacar la superficie del cajón.

## Panel de control táctil

Si se deseas, puedes desactivar las teclas táctiles antes de la limpieza. Consulta Cómo bloquear el panel de control en la página 9. Limpia el panel con un paño ligeramente humedecido solo con agua. Sécalo con un paño suave. No frotes ni utilices ningún tipo de limpiador con productos químicos. Cierra el cajón y sigue las instrucciones de la página 9 para desactivar el bloqueo del panel. Toca la tecla Stop/Clear (Detener/Borrar)

## Interior

Antes de limpiar el cajón microondas, toca y mantén presionado el botón de bloqueo del panel por 3 segundos para bloquear el panel de control y el mecanismo automático de la puerta. El cajón puede bloquearse cuando está abierto o cerrado. La pantalla mostrará LOCK ON (BLOQUEADO). Esto evitará que el cajón se abra o se cierre accidentalmente durante la limpieza. Después de la limpieza, toca y mantén presionado el botón Bloqueo del panel por 3 segundos para desbloquearlo. La pantalla mostrará LOCK OFF (DESBOQUEADO).

Es muy fácil de limpiar, ya que no se genera calor en las superficies interiores; por lo tanto, no se produce cocción ni se forman derrames o salpicaduras. Para limpiar las superficies interiores, incluidas las superficies de sellado de los cajones, limpia con un paño suave y húmedo. **NO UTILICES LIMPIADORES ABRASIVOS O FUERTES NI ESTROPAJOS.** Si la suciedad persiste, utiliza un jabón neutro; limpia con un paño suave y húmedo. No utilices productos químicos para limpiar el horno.

## Eliminación de olores

En ocasiones, puede quedar un olor a cocción en el cajón. Para eliminar el olor, mezcla 1 taza de agua, la cáscara rallada y el jugo de un limón y varios clavos de olor enteros en una taza medidora de vidrio apta para microondas con capacidad para 2 tazas. Haz que hierva durante varios minutos utilizando el 100 % de la potencia. Deja que repose en el cajón hasta que el agua se enfríe. Limpia el interior con un paño suave.

## Guías del cajón microondas

Retira los restos de comida de las guías del cajón. Límpialo con un paño suave y seco para que el cajón se abra y cierre con facilidad.

## Cubierta del guía de ondas

---

### PRECAUCIÓN

---

La cubierta de la guía de ondas, situada en la parte superior interior de la zona del cajón, está hecha de mica, por lo que requiere un cuidado especial. Mantén limpia la cubierta de la guía de ondas para garantizar un buen funcionamiento del microondas. Limpia con cuidado usando un paño suave y húmedo inmediatamente después de que aparezcan salpicaduras de comida en la superficie de la cubierta. Las salpicaduras acumuladas pueden sobrecalentarse y provocar humo o provocar un posible incendio. No retires la cubierta de la guía de ondas.

---

## DESECHAR EL PRODUCTO

Este producto no puede tratarse como residuo doméstico. Para desechar el aparato, entrégalo en un punto de recolección para el reciclaje de equipos eléctricos y electrónicos. Desecha este producto de forma correcta para evitar consecuencias negativas para el medio ambiente y la salud de los humanos, que podrían originarse por una manipulación inadecuada de los residuos de este producto. Para obtener más información sobre el reciclaje de este producto, ponte en contacto con la oficina municipal, el servicio de recogida de residuos domésticos o el establecimiento en el que adquiriste el producto.

# Antes de llamar al Servicio de atención al cliente de Thermador

Comprueba lo siguiente antes de llamar al servicio técnico. Podría ahorrarte tiempo y gastos.

| Problema  | Posible causa  | Solución   |
|---|--|--|
| <b>1</b> Una parte o la totalidad del cajón microondas no funciona. | <ul style="list-style-type: none"><li>• El cable de alimentación del cajón microondas no está completamente conectado al tomacorriente.</li><li>• Hay un corte de energía.</li><li>• El fusible/interruptor no funciona.</li><li>• El cajón microondas está en modo de demostración.</li></ul> | <ul style="list-style-type: none"><li>• Asegúrate de que el cable de alimentación está bien conectado al tomacorriente.</li><li>• Revisa bien las luces de la casa. Llama a tu compañía eléctrica local para recibir servicio técnico.</li><li>• Reemplaza el fusible o restablece el interruptor.</li><li>• Consulta la página 16 para saber cómo cancelar el Modo de demostración.</li></ul> |
| <b>2</b> Los alimentos del cajón microondas no se calientan.        | <ul style="list-style-type: none"><li>• No llega energía al aparato.</li><li>• Los controles del cajón están mal configurados.</li><li>• El cajón está en modo de demostración.</li></ul>  | <ul style="list-style-type: none"><li>• Consulta la solución del Problema 1.</li><li>• Revisa que los controles se han configurado correctamente.</li><li>• Consulta la página 16.</li></ul>   |
| <b>3</b> La luz del cajón microondas no funciona.                   | <ul style="list-style-type: none"><li>• La bombilla está floja o fundida.</li></ul>  | <ul style="list-style-type: none"><li>• Llama al Servicio de atención al cliente de Thermador para recibir servicio técnico.</li><li>• Asegúrate de tener a mano el número de modelo completo y el número FD antes de llamar.</li></ul>  |
| <b>4</b> Los controles táctiles no funcionan.                       | <ul style="list-style-type: none"><li>• El bloqueo del panel está activado.</li></ul>  | <ul style="list-style-type: none"><li>• Consulta la página 9 para desbloquearlo.</li></ul>   |
| <b>5</b> La pantalla parpadea.                                      | <ul style="list-style-type: none"><li>• Hay un fallo en el suministro de energía.</li></ul>  | <ul style="list-style-type: none"><li>• Toca la tecla <b>Stop/Clear (Detener/Borrar)</b> y restablecer el reloj. Si el cajón microondas estaba en uso, debes restablecer la función de cocción.</li></ul>  |
| <b>6</b> Sale vapor de la ventilación.                              | <ul style="list-style-type: none"><li>• Durante el funcionamiento del microondas, es posible que salga vapor por el lado derecho de la ventilación.</li></ul>  |  |

# DECLARACIÓN DE GARANTÍA LIMITADA DEL PRODUCTO

Válido desde el 1 de enero de 2023

## Qué cubre esta garantía y a quiénes se aplica

La garantía limitada otorgada por BSH Home Appliances («Thermador») en esta Declaración de Garantía Limitada del Producto se aplica únicamente al aparato Thermador vendido a usted («Producto»), el primer comprador usuario, condicionada estrictamente a que el Producto haya sido comprado:

- Para uso doméstico normal (no comercial) y haya sido utilizado en todo momento únicamente para fines domésticos normales.
- Nuevo en una tienda minorista autorizada de BSH o directamente de BSH (que no sea un producto de exhibición ni un producto vendido «en las condiciones en que se encuentre» ni un modelo devuelto anteriormente) y que no esté destinado a reventa ni uso comercial.
- Dentro de los Estados Unidos o Canadá, y que haya permanecido en todo momento dentro del país de compra original.

La garantía descrita aquí es válida para el comprador original del producto cubierto por esta garantía y para todo usuario posterior del producto, adquirido para un uso doméstico, durante el término de la garantía.

Asegurarse de registrar su producto; si bien no es necesario para hacer efectiva la cobertura de la garantía, es la mejor manera de que Thermador pueda enviar una notificación en el caso poco probable de que se emita un aviso de seguridad o se retire del mercado un producto.

## Plazo de vigencia de la garantía

Thermador garantiza que el Producto no tiene defectos de materiales ni de mano de obra durante un período de setecientos treinta (730) días a partir de la fecha de entrega original. Dicho período comienza a contar a partir de la fecha de entrega original y no se interrumpirá, dejará sin efecto, extenderá ni suspenderá por ningún motivo. También se garantiza que este Producto no presenta defectos estéticos en el material ni en la mano de obra (como rayas en el acero inoxidable, imperfecciones en la pintura/porcelana, desportilladuras, astillas, abolladuras ni ningún otro daño en el acabado) del Producto durante un período de sesenta (60) días desde la fecha de entrega o fecha de cierre para una nueva construcción. Se excluyen de esta garantía por defectos estéticos las variaciones leves de color que se deban a diferencias inherentes a las piezas pintadas y de porcelana, así como diferencias provocadas por la iluminación de la cocina, la ubicación del producto u otros factores similares. Se excluye específicamente de esta garantía por defectos estéticos cualquier electrodoméstico en exposición, de piso, vendido «en el estado en que se encuentra» o de segunda selección.

## Reparación/Reemplazo como único recurso

Durante el período de esta garantía, Thermador o uno de sus proveedores de servicio técnico autorizados reparará el producto sin cargo (sujeto a determinadas limitaciones especificadas en el presente) si se prueba que el producto ha sido fabricado con un defecto en los materiales o en la mano

de obra. Si se ha intentado de manera razonable reparar el Producto sin éxito, Thermador reemplazará el Producto (es posible llegar a disponer de modelos mejorados, a entera discreción de Thermador, por un cargo adicional). Esta garantía no establece que las piezas dañadas o defectuosas se reemplacen por piezas de diferente tipo o diseño a las originales. Todas las partes y los componentes retirados serán propiedad de Thermador, a su entera discreción. Todas las partes reemplazadas y/o reparadas se considerarán como la parte original a los fines de esta garantía y esta garantía no se extenderá con respecto a dichas partes. En virtud del presente documento, la exclusiva responsabilidad y obligación de Thermador es únicamente reparar el Producto defectuoso de fábrica, a través de un proveedor de servicio técnico autorizado por Thermador, durante el horario normal de oficina. Por cuestiones de seguridad y daños materiales, Thermador recomienda categóricamente no intentar reparar el Producto por cuenta propia ni usar un proveedor de servicio técnico no autorizado; Thermador no tendrá ninguna responsabilidad ni obligación por daños ocasionados por reparaciones o trabajos realizados por un proveedor de servicio técnico no autorizado. Los proveedores de servicio técnico autorizados son aquellas personas o compañías que han sido especialmente capacitadas para manejar los productos de Thermador y que tienen, según el criterio de Thermador, una reputación superior de servicio de atención al cliente y capacidad técnica (tenga en cuenta que son entidades independientes y no son agentes, socias, afiliadas ni representantes de Thermador). Sin embargo, llevar su producto a un taller de reparación que no esté afiliado o a un distribuidor autorizado de Thermador no anulará esta garantía. Además, el uso de piezas de terceros no anulará esta garantía. Independientemente de lo antedicho, Thermador no tendrá responsabilidad ni obligación alguna por el Producto que se encuentre en un área remota (a más de 100 millas de un proveedor de servicio técnico autorizado) o en un lugar, área circundante o entorno que no sean accesibles por medios razonables o que sean peligrosos, hostiles o arriesgados; en ese caso, a su solicitud, Thermador de todas maneras pagará por la mano de obra y las partes, y enviará las partes al proveedor de servicio técnico autorizado más cercano, pero el cliente seguirá siendo totalmente responsable por el tiempo de viaje y demás cargos especiales de la compañía de servicio técnico, siempre que esta acepte realizar la visita de servicio técnico. Además, en la medida en que haya instalado el producto en una ubicación de difícil acceso o haya instalado accesorios temporales o permanentes que creen barreras para acceder o retirar el producto, Thermador no incurrirá en ninguna responsabilidad por el trabajo o los costos asociados con el traslado del producto o la creación de acceso al producto para repararlo o reemplazarlo. Todos estos costos serán responsabilidad exclusiva de usted.

## Producto fuera de garantía

Thermador no tiene obligación alguna, en virtud de la ley ni por otro motivo, de otorgarle ninguna concesión, incluidos reparaciones, prorrates o reemplazo del Producto, con posterioridad al vencimiento de la garantía.

## Exclusiones de la garantía

La cobertura de garantía descrita en el presente documento excluye todos los defectos o daños que no fueron provocados directamente por Thermador, incluidos, entre otros, alguno de los siguientes: cualquier forma de uso comercial, uso o almacenamiento en exteriores de un producto diseñado para interiores, uso del Producto en aeronaves o embarcaciones).

- Conducta indebida, negligencia, uso indebido, abuso, accidentes, descuido, operación inadecuada, omisión de mantenimiento, instalación inadecuada o negligente, adulteración, omisión de seguir las instrucciones de operación, manipulación inadecuada, servicio técnico no autorizado (incluidos «arreglos» o exploración de los mecanismos internos del aparato realizados por uno mismo) por parte de cualquier persona.
- Ajuste, alteración o modificación de cualquier tipo.
- Incumplimiento de los códigos, reglamentaciones o leyes de electricidad, plomería y/o construcción estatales, locales, municipales o de condado, incluida la omisión de instalar el producto cumpliendo estrictamente con los códigos y reglamentaciones locales de construcción y protección contra incendios.
- Desgaste habitual, derrames de alimentos, líquidos, acumulaciones de grasa u otras sustancias que se acumulen sobre el Producto, dentro o alrededor de este.
- Cualquier fuerza y factor externo, elemental y/o ambiental, incluidos, entre otros, lluvia, viento, arena, inundaciones, incendios, aludes de lodo, temperaturas bajas extremas, humedad excesiva o exposición prolongada a la humedad, rayos, sobrecargas eléctricas, fallos estructurales alrededor del aparato y catástrofes naturales.
- Llamadas al servicio técnico para subsanar la Producto, reemplazar los fusibles domésticos o subsanar el cableado o las instalaciones de fontanería.
- Extracción y sustitución de recortes o paneles decorativos que interfieran con el mantenimiento del Producto.
- Daños o defectos provocados por la mano de obra o piezas instaladas por cualquier proveedor de servicio técnico no autorizado, a menos que este último haya sido aprobado por Thermador antes de realizar el servicio.

En ningún caso Thermador tendrá responsabilidad ni obligación alguna por los daños ocasionados a los bienes circundantes, incluidos los gabinetes, pisos, techos y demás estructuras u objetos que se encuentren alrededor del Producto. También se excluyen de esta garantía los Productos en los cuales los números de serie hayan sido alterados, modificados o eliminados; las visitas del servicio técnico para enseñarle a usar el Producto o las visitas en las que se determine que no hay ningún problema con el Producto; la corrección de los problemas de instalación (usted es el único responsable de cualquier estructura y soporte del Producto, incluidas todas las instalaciones de electricidad y plomería o demás instalaciones de conexión, de la correcta instalación en bases/pisos, y de cualquier alteración, incluidos, a modo de ejemplo, gabinetes, paredes, pisos, repisas, etc.); y el restablecimiento de breakers o fusibles.

EN LA MEDIDA PERMITIDA POR LA LEY, ESTA GARANTÍA ESTABLECE SUS RECURSOS EXCLUSIVOS CON RESPECTO AL PRODUCTO, INDEPENDIEMENTE DE QUE LA RECLAMACIÓN SEA CONTRACTUAL O EXTRA CONTRACTUAL (INCLUIDA LA RESPONSABILIDAD OBJETIVA O LA NEGLIGENCIA), O DE CUALQUIER OTRO TIPO. ESTA GARANTÍA REEMPLAZA TODAS LAS DEMÁS GARANTÍAS EXPRESAS O IMPLÍCITAS. LAS GARANTÍAS IMPLÍCITAS POR LEY, YA SEA DE COMERCIALIZACIÓN O DE APTITUD PARA UN FIN ESPECÍFICO, O DE CUALQUIER OTRO TIPO, TENDRÁN VIGENCIA ÚNICAMENTE POR EL PERÍODO DE VIGENCIA DE LA PRESENTE GARANTÍA LIMITADA EXPRESA. EN NINGÚN CASO SERÁ EL FABRICANTE RESPONSABLE POR LOS DAÑOS CONSECUENTES, ESPECIALES, Y/O DAÑOS PUNITIVOS, PÉRDIDAS O GASTOS, INCLUIDOS, ENTRE OTROS, TIEMPO FUERA DEL TRABAJO, HOTELES O COMIDAS EN RESTAURANTES, GASTOS DE REMODELACIÓN QUE SUPEREN LOS DAÑOS DIRECTOS, QUE DEFINITIVAMENTE HAYAN SIDO PROVOCADOS DE MANERA EXCLUSIVA POR THERMADOR O DE OTRA MANERA. ALGUNOS ESTADOS NO PERMITEN LA EXCLUSIÓN O LIMITACIÓN DE DAÑOS INCIDENTALES O CONSECUENTES, Y ALGUNOS ESTADOS NO PERMITEN LIMITACIONES CON RESPECTO AL PLAZO DE VIGENCIA DE UNA GARANTÍA IMPLÍCITA; POR LO TANTO, ES POSIBLE QUE LAS EXCLUSIONES O LIMITACIONES PRECEDENTES NO SE APLIQUEN. ESTA GARANTÍA OTORGA DERECHOS LEGALES ESPECÍFICOS, Y TAMBIÉN PUEDEN CORRESPONDERLE OTROS DERECHOS QUE PUEDEN VARIAR SEGÚN EL ESTADO.

Ningún intento de alterar, modificar o enmendar la presente garantía será válido, a menos que fuera autorizado por escrito por un ejecutivo de BSH.

### Obtener el servicio técnico de la garantía:

Para obtener el servicio de garantía para su producto, debe comunicarse con el Servicio de asistencia técnica de Thermador al 1-800-735-4328 para programar una reparación.

### Información del producto

Para una referencia rápida, copie la información que se encuentra a continuación de la placa de características. Conservar su factura y/o documentos de entrega para la validación de la garantía.

|                            |  |
|----------------------------|--|
| Número de modelo (E-Nr.)   |  |
| Número de fabricación (FD) |  |
| Fecha de entrega           |  |

---

# Apoyo Thermador®

## Servicio

Nos damos cuenta de que usted ha hecho una inversión considerable en su cocina. Estamos dedicados a respaldar a usted y su aparato para que usted disfrute de muchos años de cocina creativa.

Por favor no dude en ponerse en contacto con nuestro Departamento de Atención al Cliente STAR® si usted tiene cualquier preguntas o en el caso improbable de que su aparato THERMADOR® necesite servicio. Nuestro equipo de servicio está listo para ayudarle.

**[www.thermador.com/support](http://www.thermador.com/support)**

**800-735-4328**

## Partes y accesorios

Partes, filtros, descalcificador, limpiadores de acero inoxidable y más pueden comprarse en la tienda en línea eSHOP THERMADOR o por teléfono.

**[www.thermador-eshop.com](http://www.thermador-eshop.com)**





1901 MAIN STREET, SUITE 600 IRVINE, CA 92614 // 1-800-735-4328 // WWW.THEMADOR.COM  
© 2024 BSH HOME APPLIANCES CORPORATION  
8001299202

TINSEB756MRR0