



RVB477790

- 1 x egg box with lid
- 1 x ice cube scoop
- 2 x wooden bottle holder magnetic
- 1 x Ethylene absorber

ACLETHRF10:

Ethylene absorber refill kit

RA430100:

Storage container with lid, anthracite

RA450022:

Water filter Vario 400

RVA438040:

Bottle support, oak wood, 1 pcs.

RVA450220:

Activated charcoal air filter, 2 pcs

RA425110:

Vario SS handle 1131 mm

RA425710:

Vario SS handle BM30"

RA460030:

Frontpanel connection for RB

RVA421720:

SS door with handle, 76.2 cm for RVB477

RVA423141:

Side trims, 3 mm

RVA428720:

SS door w/o handle, 76.2 cm for RVB477

RVA460000:

Installationskit side-by-side

RVA460020:

Backward compatibility kit SbS

Vario fridge-freezer combination 400 series 30", Softclose® Flat Hinge

RVB477790

Dark brushed stainless steel interior, refined with solid anthracite aluminium elements
Warm white and glare-free LED light concept for optimal food presentation in all compartments
Opening assist for door enabling seamless integration without handles
Flat dark brushed stainless steel inner door
Flexible positioning of shelves and door racks through hidden rail system
Solid anthracite aluminium door racks
Professional freshness system with 1 fresh climate drawer and 1 chilled drawer
Integrated ice maker with fixed water connection
Spacious, fully extendable freezer compartment including 2 additional interior drawers
Full touch TFT display
Total volume: 16.5 cu. ft.
ENERGY STAR certified.

Operation

Opening assist for door.
Cushioned door closing system.
Light and display response to drawer interaction.
Automatic brightness adjustment based on ambient illumination.
Easily accessible full touch TFT display.
Clear text display in 44 languages.
Animated quick guides to assist appliance maintenance.

Technical Features

Dynamic cold air distribution with Multi-Flow Air System.
Automatic defrosting with defrost water evaporation.
Constant air purification by 2 activated charcoal air filters.
Sabbath mode certified by Star-K.
Open-door and malfunction warning system.

Selected digital services (Home Connect)

Storage management with cameras.
Personalization function for saving custom programs.
Remote control and monitoring.
Remote diagnostics.

Cooling compartment

Professional freshness system.
No-Frost technology with fast cooling.
Temperature adjustable from 35 °F to 46 °F.
Integrated water dispenser.
2 aluminium-framed safety glass shelves, individually adjustable in height.
1 integrated safety glass shelf with satin matte finish.
Optimal food presentation with warm white and glare-free, hidden LED light bars (3000 K).
Flexible positioning of door racks through hidden rail system.
3 door racks, 2 height adjustable.
Total volume of all refrigerator compartments: 10.9 cu. ft.

Fresh climate drawer

1 fresh climate drawer with humidity control.

Temperature adjustable from 30°F to 36°F (-1 °C to +2 °C).

Ideal storage conditions for different foods through dedicated programs (e.g. Fruit, Vegetables, Meat).

Individual adjustment of temperature and humidity.

Extended food preservation with ethylene absorber.

Indirect illumination, transparent front.

Fully extendable, with soft closing system.

Chilled drawer

Temperature dependent on cooling compartment (always 2 to 3 degrees lower).

Indirect illumination, transparent front.

Fully extendable, with soft closing system.

Freezer compartment

No-frost technology with fast freezing at -15 °F (-30 °C).

4-star freezer compartment.

Temperature adjustable from -11 °F to 3 °F (-24 °C to -16 °C).

Freezer burn protection.

Oxidation protection.

Storage time after a malfunction 10 h.

Spacious, fully extendable freezer compartment with synchronously running pull-out rails.

2 extendable interior drawers.

Warm-white, glare-free LED lighting (3000 K) within freezer compartment.

Total volume of freezer compartment: 5.6 cu. ft.

Ice dispenser

Integrated automatic ice maker in the freezer compartment, with fixed water connection.

Ice maker can be switched off independently.

Active charcoal water filter for water inlet, integrated in ventilation grill area.

Saturation indicator for filter via full touch TFT display

Ice cube production: approx. 5.5 lb/24 h.

Removable ice storage container with approx. 6.6 lb capacity.

Integrated, easy accessible ice cube scoop.

Consumption data

Energy consumption 560 kWh/year.

Noise level 39 dB (re 1 pW).

Planning notes

Flat hinge.

Door hinge right, reversible.

Door opening angle of 115°, fixable at 90°.

Max. door panel weight:

Door 90 lbs (41 kg). Drawer 22 lbs (10 kg).

When rest mode is active, the appliance can only be opened using a handle.

Shut-off valve for water connection must be planned next to the appliance and always be accessible.

If the water pressure exceeds 116 psi, connect pressure relief valve between water tap and hose set.

Rating

Total rating 1.079 kWh/24 h.

Total Amps: 10 A.

Connecting cable 118" (3.0 m), detachable.

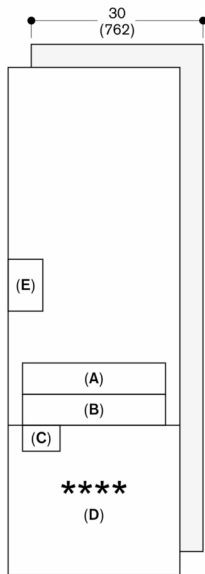
Cold water connection required.

RVB47790

Electrical location 6" above ground in lower left corner of unit.

Supply hose 70 7/8" with 1/4" male compression fitting (standard ice-maker connector).

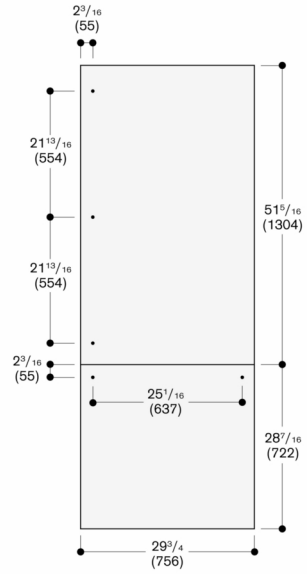
Water pressure 29 psi to 116 psi.



- A: Chilled drawer
- B: Fresh climate drawer
- C: Ice maker
- D: Drawer
- E: Internal water dispenser

Measurements in inches (mm)

Niche width 30" (762 mm)

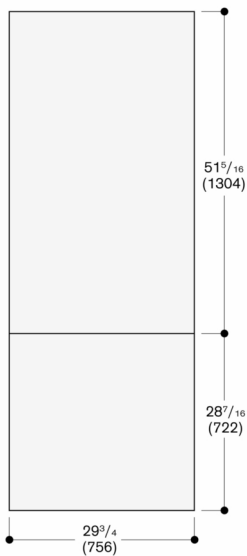


The door panel thickness is 2 3/16" (19 mm)

The maximum door panel dimensions are based on a clearance of 1/8" (3 mm), based on a single niche

Measurements in inches (mm)

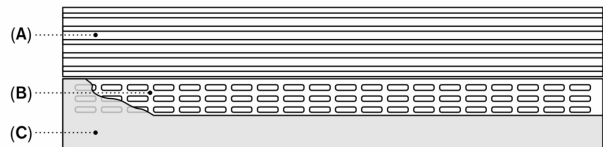
Niche width 30" (762 mm)



The door panel thickness is 2 3/16" (19 mm)

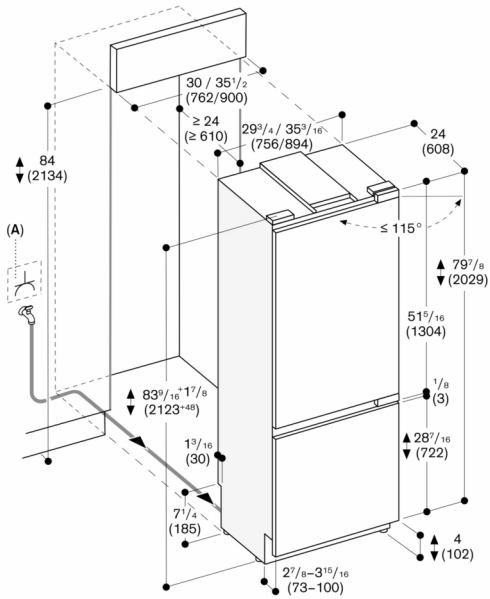
The maximum door panel dimensions are based on a clearance of 1/8" (3 mm), based on a single niche

Measurements in inches (mm)



- A: Air inlets and exhaust air outlets
- B: Ventilation openings in baseboard area
- C: Baseboard

The height of the toe kick can be reduced to 50 mm based on the standard installation height
The baseboard height needs to be reduced to match the toe kick height to allow for the additional ventilation



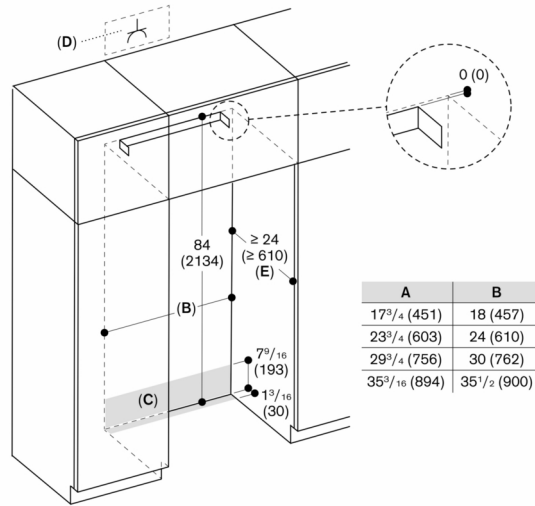
A: Outlet

The maximum door panel dimensions are based on a clearance of 1/8" (3 mm)

The height of the plinth can be reduced to 2" (50 mm)

Measurements in inches (mm)

Installation niche for an individual appliance

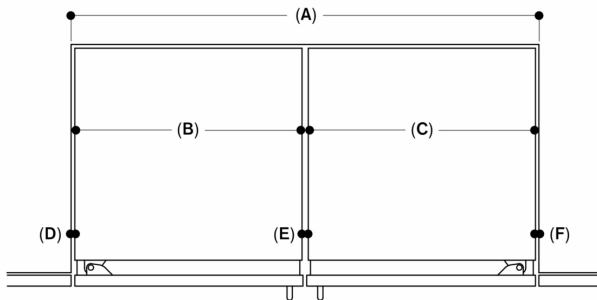


A	B
17 ³ / ₄ (451)	18 (457)
23 ³ / ₄ (603)	24 (610)
29 ³ / ₄ (756)	30 (762)
35 ³ / ₁₆ (894)	35 ¹ / ₂ (900)

- A: Appliance width
- B: Width of installation niche
- C: Area for guiding water supply hose
- D: Outlet
- E: Depth of installation niche, depending on kitchen design

Measurements in inches (mm)

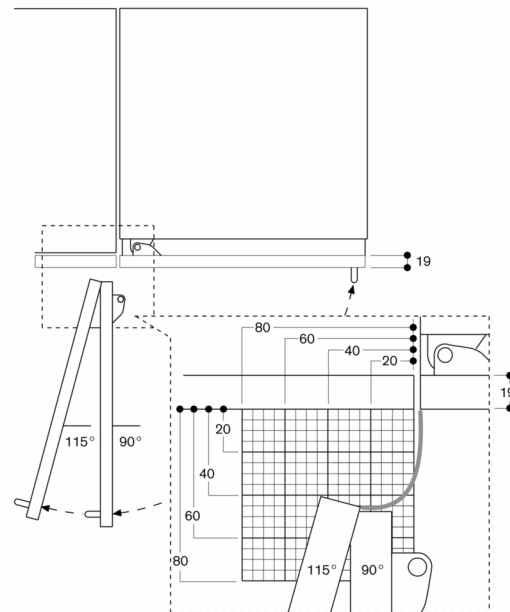
Replacement of side-by-side installation with Vario Cooling 400 series



A: Niche width	72 (1828)	≤ 66 (≤ 1676)
B: Replacement appliance width	35 ³ / ₁₆ (894)	≤ 29 ³ / ₄ (≤ 756)
C: Vario Cooling 400 appliance width	≤ 35 ³ / ₄ (≤ 908)	≤ 35 ³ / ₄ (≤ 908)
D: Left gap	3/8 (10)	1/8 (3)
E: Center gap	1/2 (13)	1/4 (6)
F: Right gap	1/8 (3)	1/8 (3)

Measurements in inches (mm)

Door opening angle



The hinge path and the resulting distances to the neighboring furniture and furniture handles can be taken from the drawing depending on the front thickness. In the drawing, a furniture front thickness of 19 mm is assumed.