

JTP90SM

GE® 30" Built-In Double Microwave/Thermal Wall Oven

Dimensions and Installation Information (in inches)

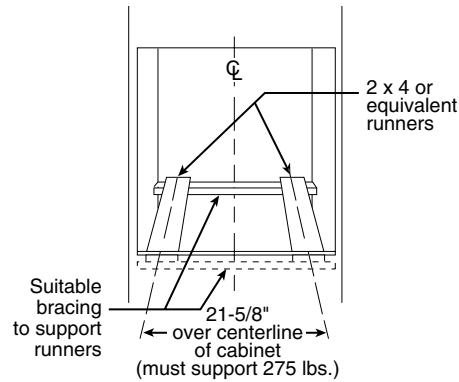
KW Rating	
240V	6.4
208V	4.8
Breaker Size	
240V	30 Amps
208V	30 Amps

Note: Cabinets installed adjacent to wall ovens must have an adhesion spec of at least a 194°F temperature rating.

Installation Information: Before installing, consult installation instructions packed with product for current dimensional data.

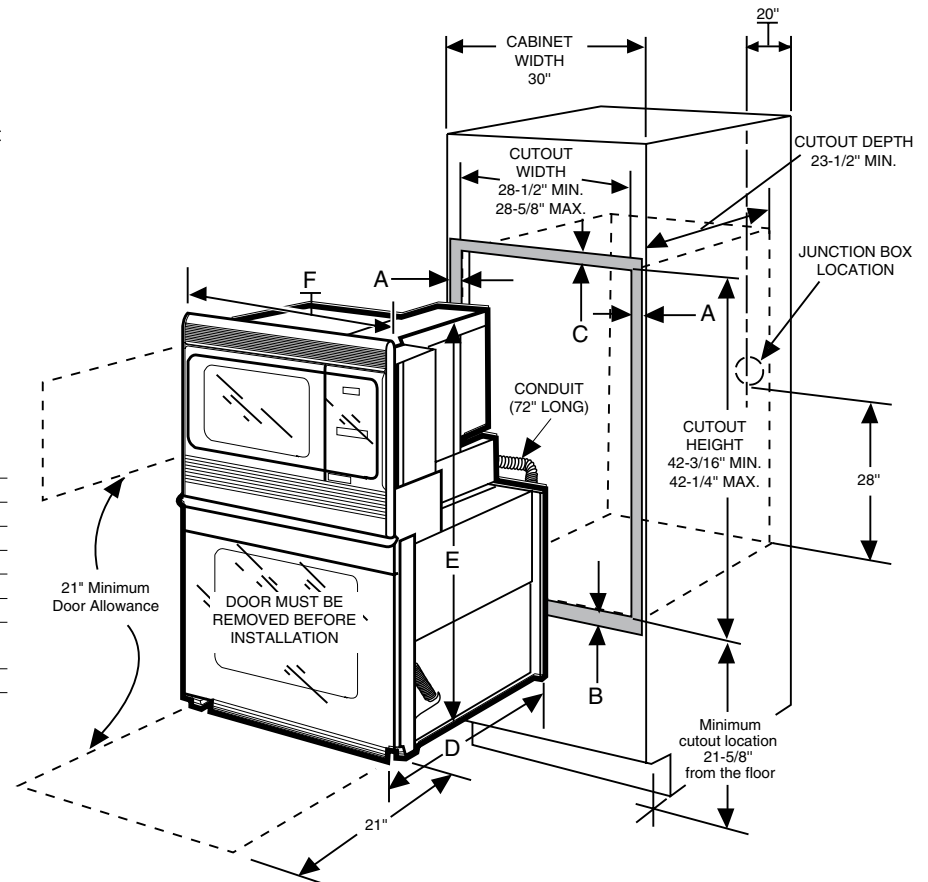
Door handle protrudes 3" from door face. Cabinets and drawers on adjacent 45° and 90° walls should be placed to avoid interference with the handle.

Electric wall ovens are not approved for installation with a plug and receptacle. They must be hard wired in accordance with installation instructions.



Cabinet	30"
A – Overlap of oven over side of edges of cutout	11/16"
B – Overlap of oven at top and bottom of cutout	1"
C – Overall of oven at top of cutout	1/2"
Oven	
D – Overall depth*	23-1/2"
E – Overall height with trim	44"
Overall height without trim	43-1/2"
E – Overall width	29-3/4"

*Depth including door handle is approximately 26-6/10" min. to 26-9/10" max.



MOST 30" WALL CABINETS CAN BE USED WITH THIS UNIT. THE OPENING BETWEEN THE INSIDE WALLS MUST BE AT LEAST 28-1/2" WIDE.

For answers to your Monogram®, GE Profile™ or GE® appliance questions, visit our website at ge.com or call GE Answer Center® service, 800.626.2000.

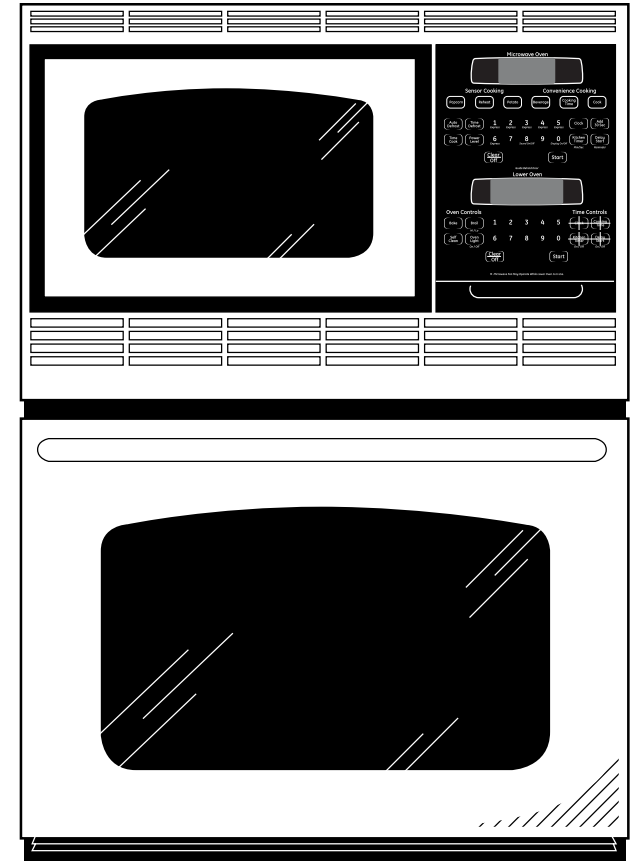


JTP90SM

GE® 30" Built-In Double Microwave/Thermal Wall Oven

Features and Benefits

- Self Clean Oven - Conveniently cleans the oven cavity without need of scrubbing
- Extra-Large Oven Capacity - Provides a large oven interior ideal for cooking more items at once
- Electronic Oven Controls - One-touch electronic pads are easy-to-use and allow for simple oven operation
- TrueTemp™ System - Delivers even heat distribution and maximum oven control
- 1.6 Cu. Ft. Capacity (Upper Oven Only) - Provides a large interior to accommodate a variety of cookware, dinnerware and food containers
- Sensor Cooking Control (Upper Oven Only) - Provides a built-in sensor in the upper microwave that automatically calculates and adjusts cooking times and power levels for your favorite foods
- Turntable (Upper Oven Only) - Steadily rotates your food and ensures even cooking with no cold spots
- Hidden Bake Oven Interior - Hides previously exposed bottom element to deliver a clean interior appearance
- Six-Pass Bake Element/Dual Element Bake (Lower Oven) - Alternates the upper broiling element and the lower baking element for even heating and optimal results
- Model JTP90SMSS – Stainless steel



For answers to your Monogram,® GE Profile™ or GE® appliance questions, visit our website at ge.com or call GE Answer Center® service, 800.626.2000.



imagination at work



Listed by
Underwriters
Laboratories