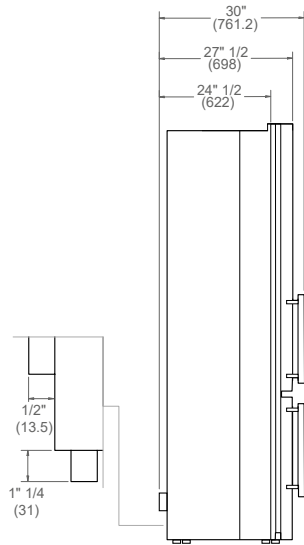
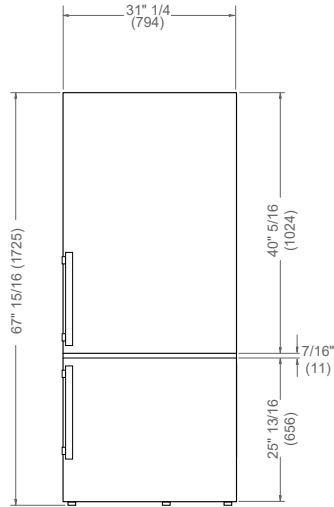


PRODUCT DIMENSIONS

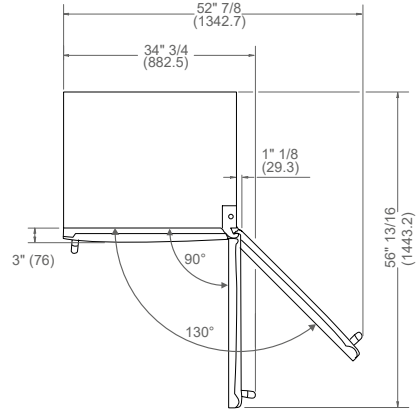
SIDE VIEW



FRONT VIEW

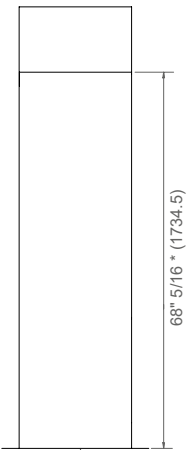


TOP VIEW

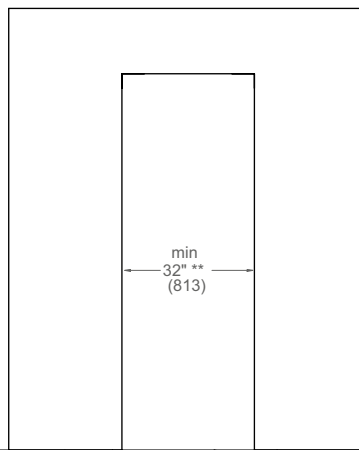


CUTOUT DIMENSIONS (Counter-depth Installation)

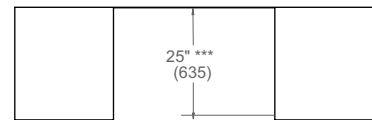
SIDE VIEW



FRONT VIEW



TOP VIEW

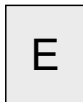


* dimension with a minimum clearance of 3/8" (9,5 mm) on the top

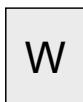
** dimension with a minimum clearance of 3/8" (9,5 mm) on both sides

*** dimension with a minimum clearance of 2" (50 mm) on the back

ELECTRICAL AND WATER CONNECTIONS

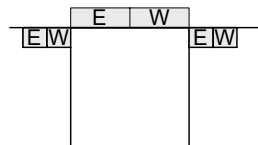


A properly-grounded, horizontally-mounted electrical receptacle should be installed according to this drawing.



To connect to the water supply system, a 1/4" NPT waterline with accessible shut-off valve and a 1/4" compression nut must be supplied.

TOP VIEW



Connection(s) placement within the opening may require additional cabinet depth.

FRONT VIEW

