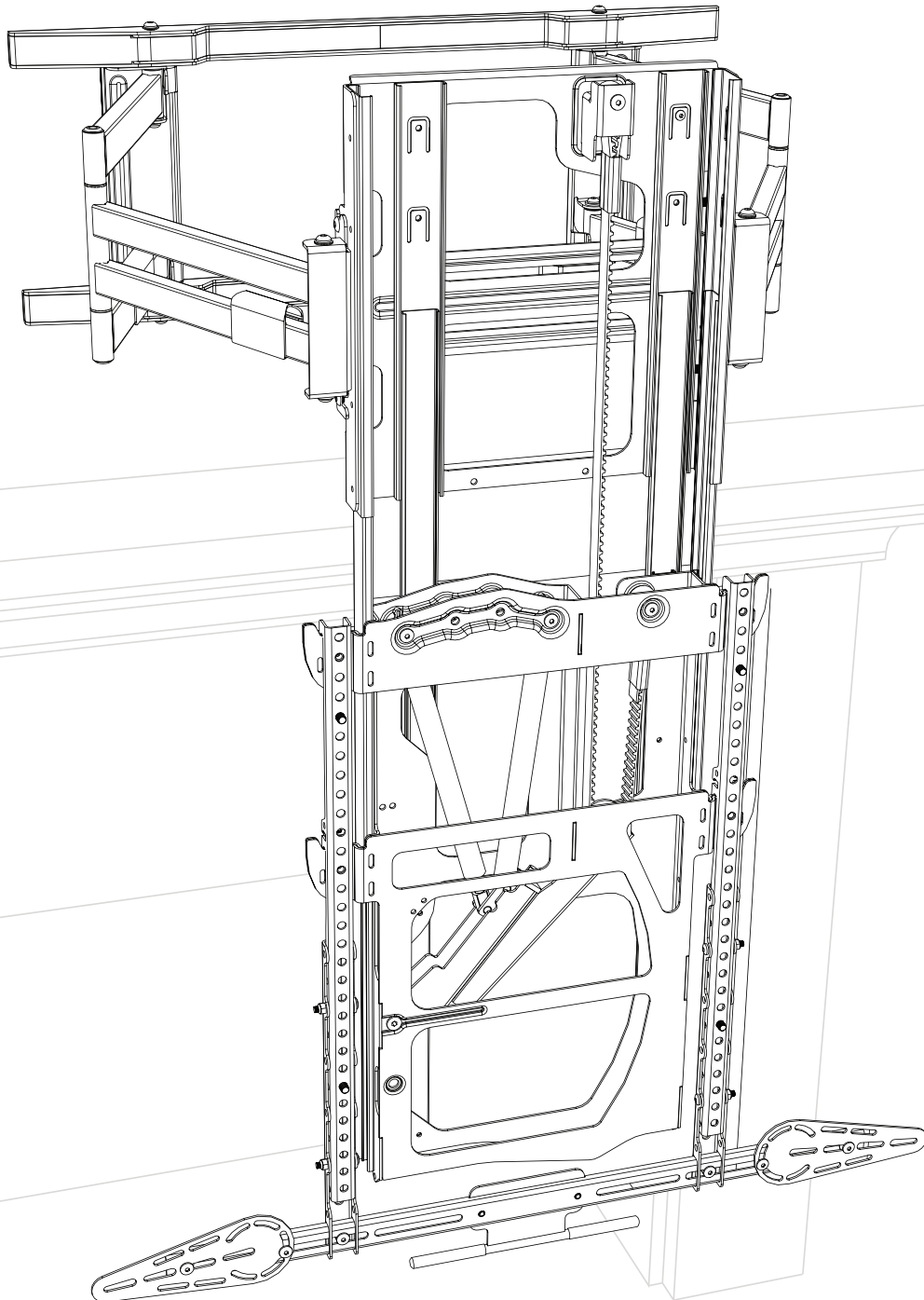




MM-Max1 Pull Down TV Mount

INSTALLATION INSTRUCTIONS

Read this entire manual before you begin!



Contains important safety information – please save this manual.

MM-Max1 Installation Steps

Step 1 - Attaching Braces to TV	Page 6
Step 2 - Determine Wall Placement	Page 10
Step 3 - Attach Mount to Wall	Page 12
Step 4 - Attach TV to Mount	Page 14
Step 5 - Make Final Adjustments	Page 15

For any questions during installation, Contact Customer Support:

Monday – Friday, 7am–4pm PST 1.800.897.9755 x1 or support@mantelmount.com

⚠ IMPORTANT

Your MM-Max1 mount has an adjustments that must be made after the installation is complete in order to operate properly.

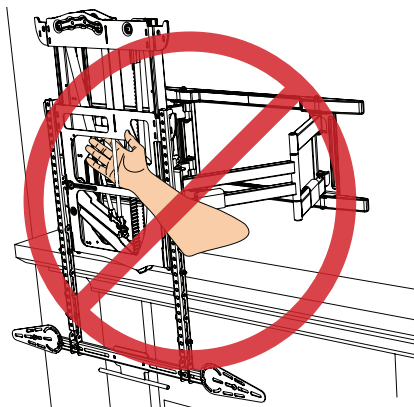
The Tension Bolt adjusts the lifting force to accommodate different TV weights. When adjusted properly the force required to lower and raise your mount should be equal.

Do not unpack box contents until verifying the requirements listed on page 4.

⚠ WARNING!

Do not place hands into Lifting mechanism.

The force of the Lifting mechanism can cause bodily injury!



⚠ WARNING!

This product contains small parts that can be a choking hazard. Do not let children play with any of these small parts! Keep children away from the work area during the installation process.

⚠ CAUTION

This product is intended to be installed by professional installation contractors, or persons familiar with the tools and methods required for this installation. If you are not sure about your ability to perform this installation, you must contact a professional. MantelMount is not responsible for damage or injury caused by incorrect installation or improper use.

Do not let children operate, pull on, or hang from MantelMount. Do not let children push MantelMount upward to the top position. Only a person tall enough to control the mount all the way to the top should operate MantelMount.

Do not use this product in any way, or for any purpose, that is not specifically described in these instructions. MantelMount is not responsible for damage or injury caused by incorrect installation or improper use.

WARRANTY

MantelMount offers a Lifetime Limited Warranty for all TV mounts and accessories. This Lifetime Limited Warranty covers all mechanical parts but excludes lifetime coverage for gas springs or electrical parts which are warranted for five (5) years from the original purchase date.

This product is intended to be installed by professional contractors or persons familiar with the tools and methods required for this installation.

If you are uncertain about your ability to perform this installation, please contact a professional.

Do not use this product in any way or for any purpose that is not specifically described in these instructions.



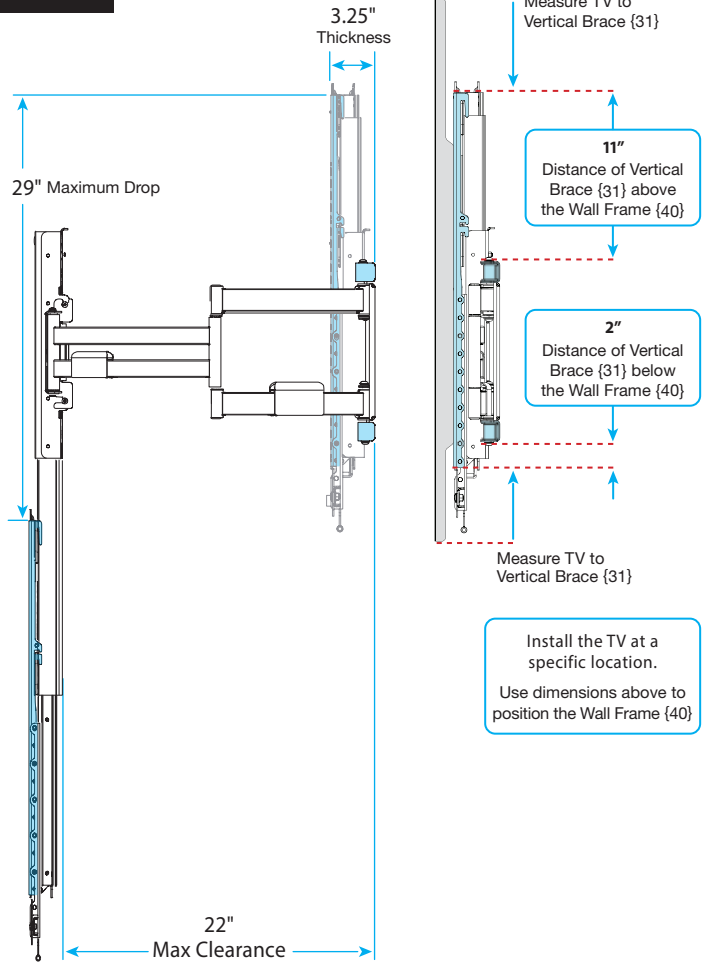
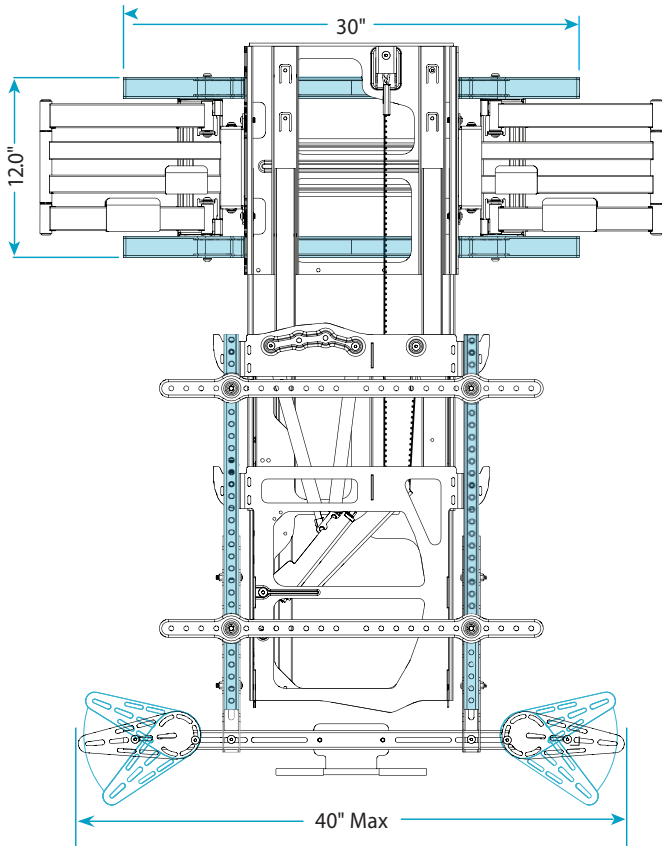
Some steps in this installation manual may require two people.

▶ **Helpful Installation Tips and Videos can be found at:** <http://mantelmount.com/install-tips>

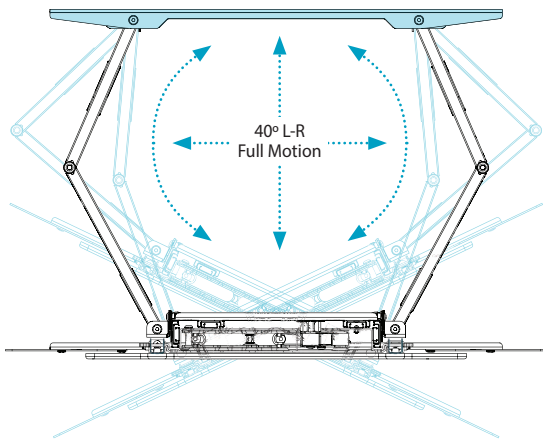
For questions during installation? Contact Customer Support:

▶ Monday – Friday, 7am – 4pm PST 1.800.897.9755 x1 or support@mantelmount.com

MAX MOUNT Pull Down TV Mount



Install the TV at a specific location. Use dimensions above to position the Wall Frame (40)



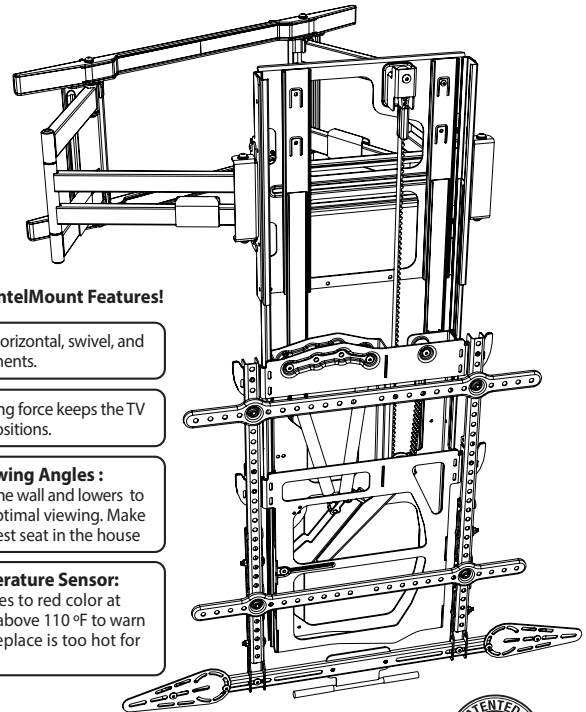
Exclusive MantelMount Features!

Independent horizontal, swivel, and vertical movements.

Adjustable lifting force keeps the TV neutral in all positions.

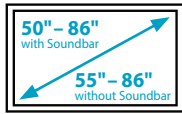
Multiple Viewing Angles : Extends from the wall and lowers to eye level for optimal viewing. Make any seat the best seat in the house

Visual Temperature Sensor: Handle changes to red color at temperatures above 110 °F to warn users if the fireplace is too hot for TV safety



Before Installation

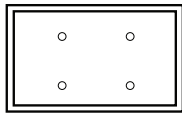
1 Verify TV and wall space meet these criteria:



SCREEN SIZE
50" to 86" (With Soundbar)
55" to 86" (Without Soundbar)

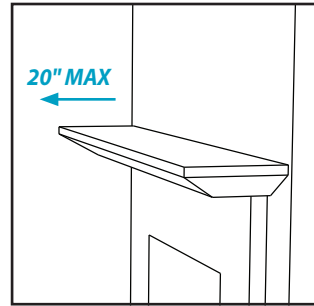


WEIGHT CAPACITY
20 to 90 LBS.
 (Including Sound Bar)

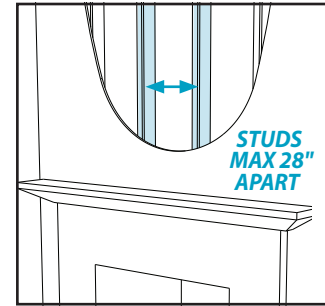


VESA COMPLIANT
 Up to
600 X 600mm

MANTEL DEPTH
20" MAXIMUM

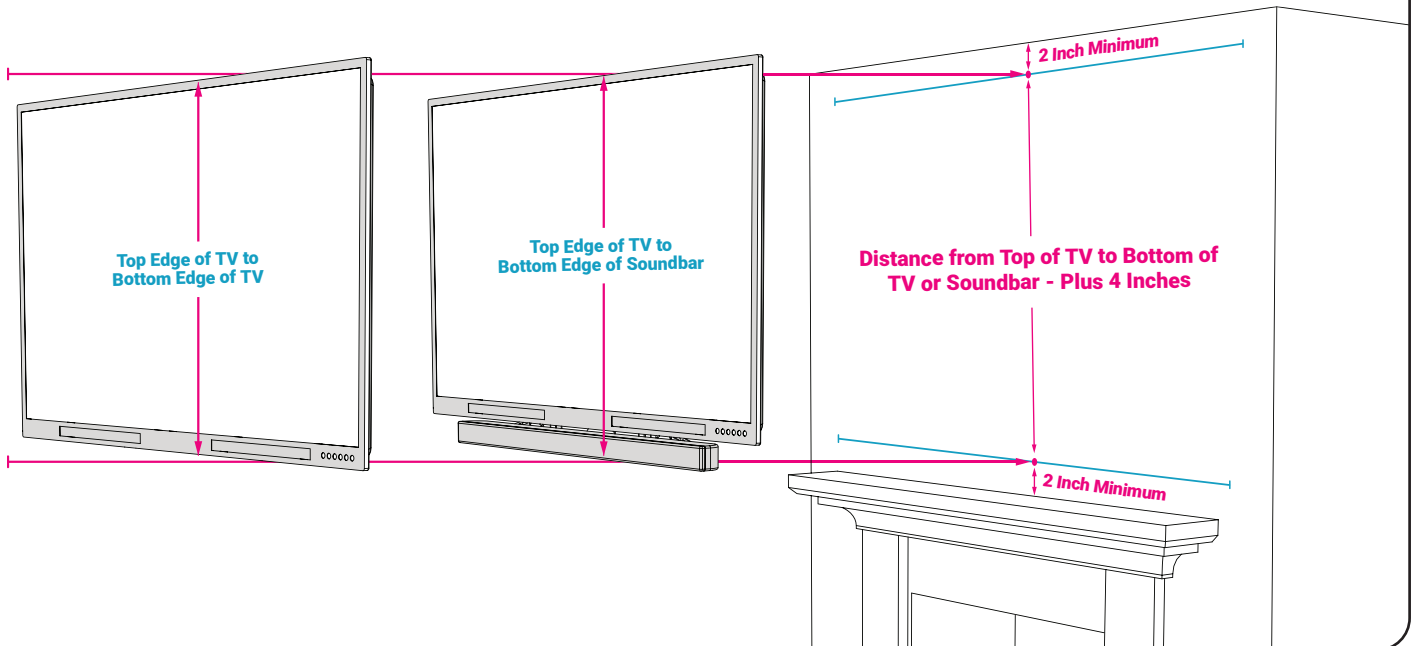


WOOD STUDS FOR MOUNTING
 Studs Maximum 28" apart;
 Wall Covering Maximum 5/8"

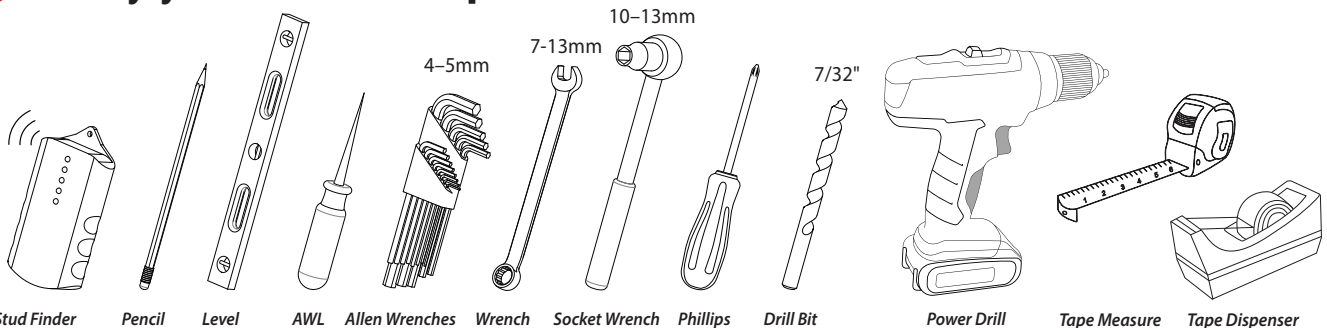


2 Verify that MM-Max1 will fit your space:

The height of your space must be at least 4 inches taller than the largest height of your TV, or your TV / Soundbar combination.



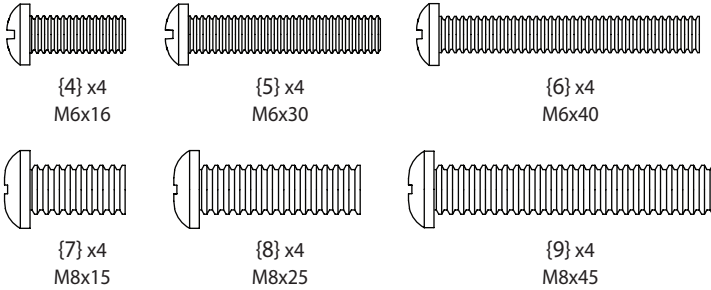
3 Verify you have the required tools.



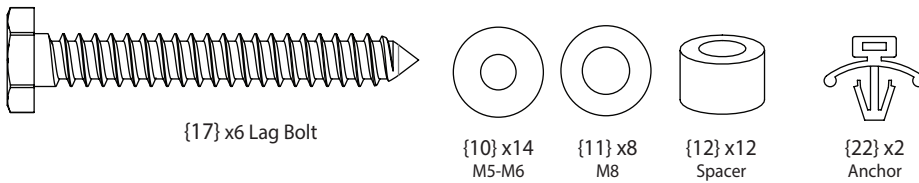
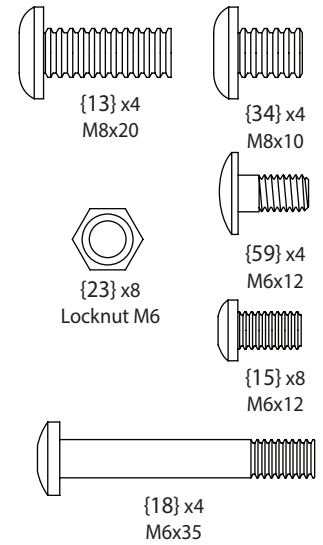
Before Installation

4 Verify all parts are included.

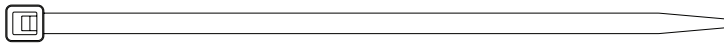
SILVER SCREWS FOR BACK OF TV



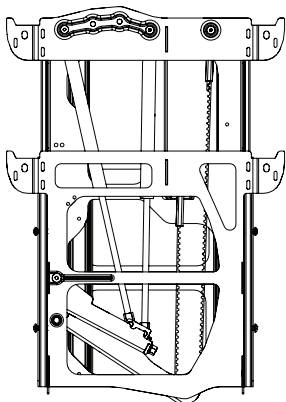
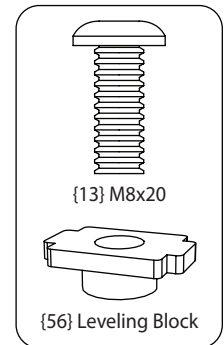
BLACK PARTS FOR MOUNT



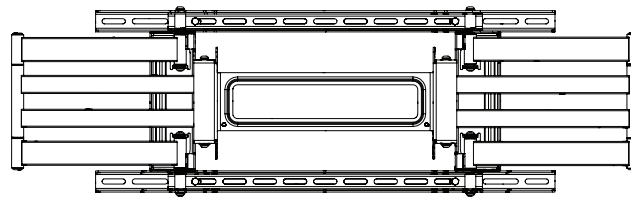
{57} x6 Concrete Anchors



{24} x8 Cable Ties



{55} x1 Lifting Mechanism



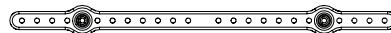
{40} x1 Wall Frame



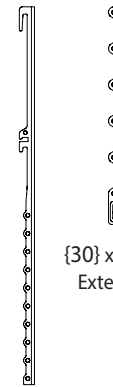
{43} x1 Horizontal Brace



{41} x4 Wall Frame Covers



{62} x2 VESA Extender



{31} x2 Vertical Braces

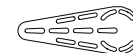
{30} x2 Brace Extenders



{60} x2 Small Cable Clips



{61} x2 Large Cable Clips



{16} x2 Sound Bar Wings

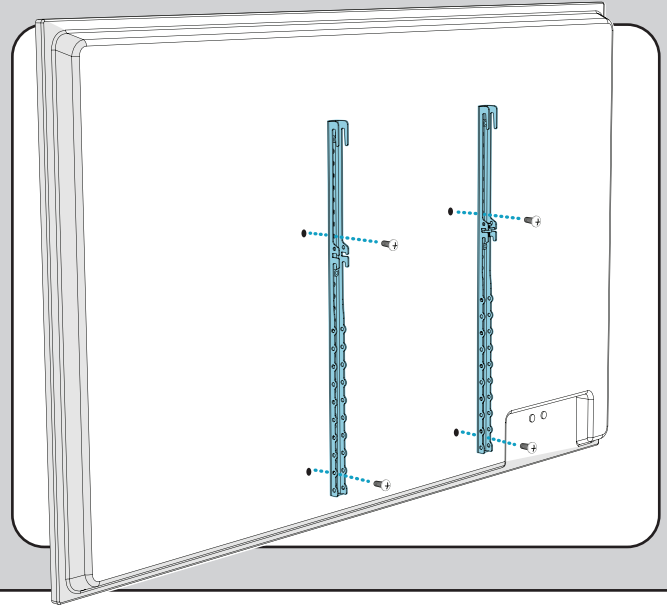


{42} x1 Center Heat Sensing Handle

If any parts are missing or damaged, contact Customer Support at 1-800-897-9755 x1 before installing.

STEP 1

Attach Braces to TV

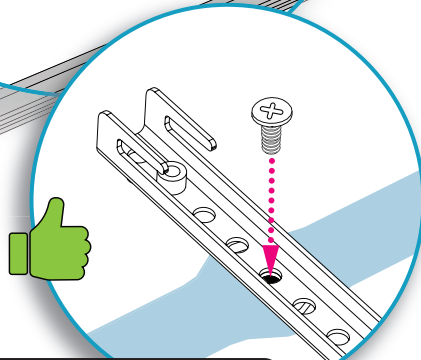
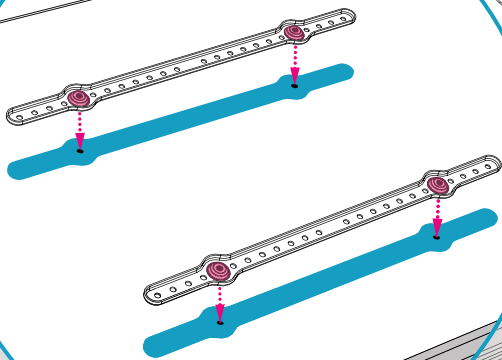


1.1 Do You Need the VESA Extenders?

If your TV VESA holes are the same width (400mm) as the two main holes on the VESA Extenders {62} then **DO NOT** use the Extenders. If your TV holes do not align, then attach the VESA Extenders to your TV using the appropriate silver TV Screws shown in STEP 1.4.

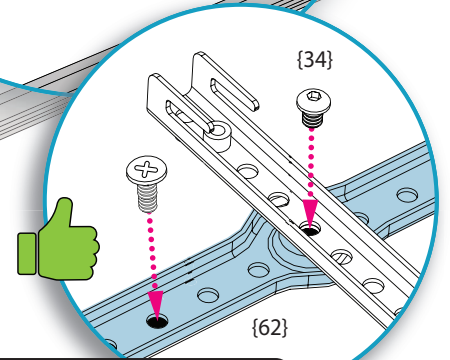
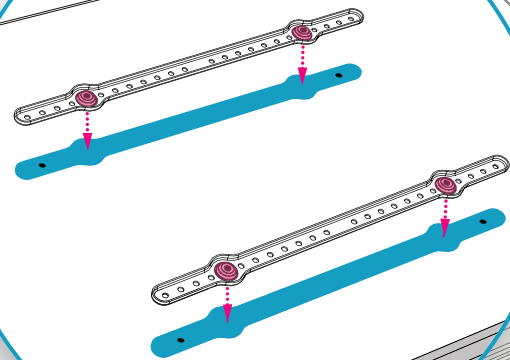
NOTE: The VESA Extenders will not be shown in the instructions.

VESA holes aligned - DO NOT USE Extenders {62}



If TV VESA holes align with main holes on VESA Extenders
Vesa Extenders {62} will NOT be used.

VESA holes NOT aligned - USE Extenders {62}



If TV VESA holes **DO NOT** align with main holes on VESA Extenders
Vesa Extenders {62} WILL be used.

1.2

Test-Fit the TV Components.

The bottom of the Vertical Braces {31} must be attached within 3"-12" from the bottom of the TV. Confirm that the Braces will attach to the TV at this distance. To ensure Brace Extenders {30} are not visible place them slightly above the bottom of the TV as shown in image A.

Without Soundbar: Test-fit the Brace Extenders {30} and the Center Heat Sensing Handle {42} to confirm that the Handle can be grabbed at the bottom of the TV.

With Soundbar: Position the Soundbar at the bottom of the TV. Test-fit the Brace Extenders {30} and the Center Heat Sensing Handle {42} to confirm that the Handle can be grabbed at the bottom of the Soundbar.

NOTE: Soundbar Wings {16} can also be used to fine-tune Soundbar attachment (STEP 1.8).

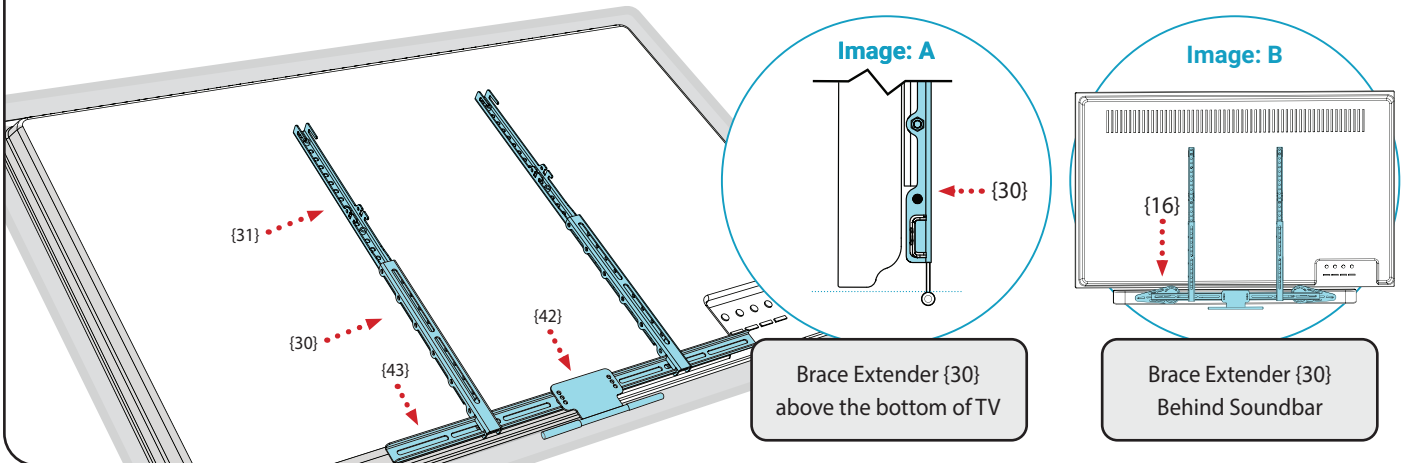


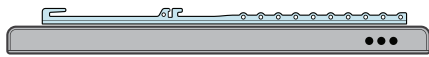
Image A
Brace Extender {30}
above the bottom of TV

Image B
Brace Extender {30}
Behind Soundbar

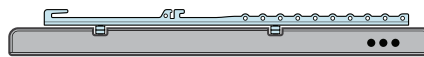
1.3

Determine if the back of your TV is flat or irregular.

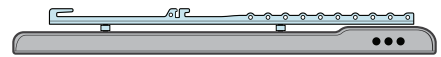
The TV Components must be parallel with the TV screen. Use Spacers {12} as shown, if needed.



FLAT Back TV
No Spacers



Irregular Back TV
Recessed Threads. Use Spacers {12}

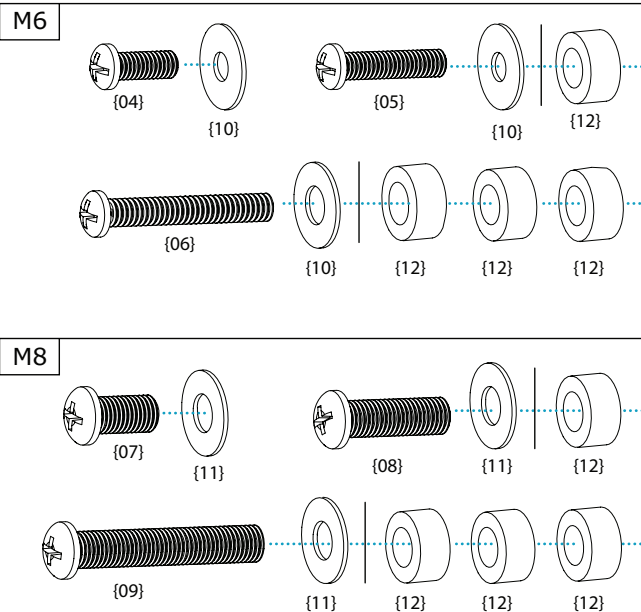


Irregular Back TV
Use Spacers {12}

1.4

Select Screws and Spacers.

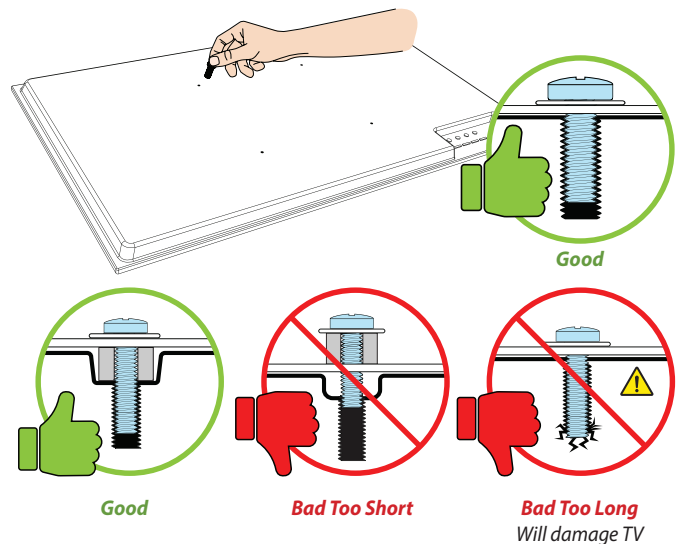
If Spacers {12} are required, choose one of these Screw combinations shown with maximum Spacer usage.



1.5

Hand-thread screw combination into the TV.

Ensure there is adequate thread engagement without hitting the bottom of threaded insert.



CAUTION

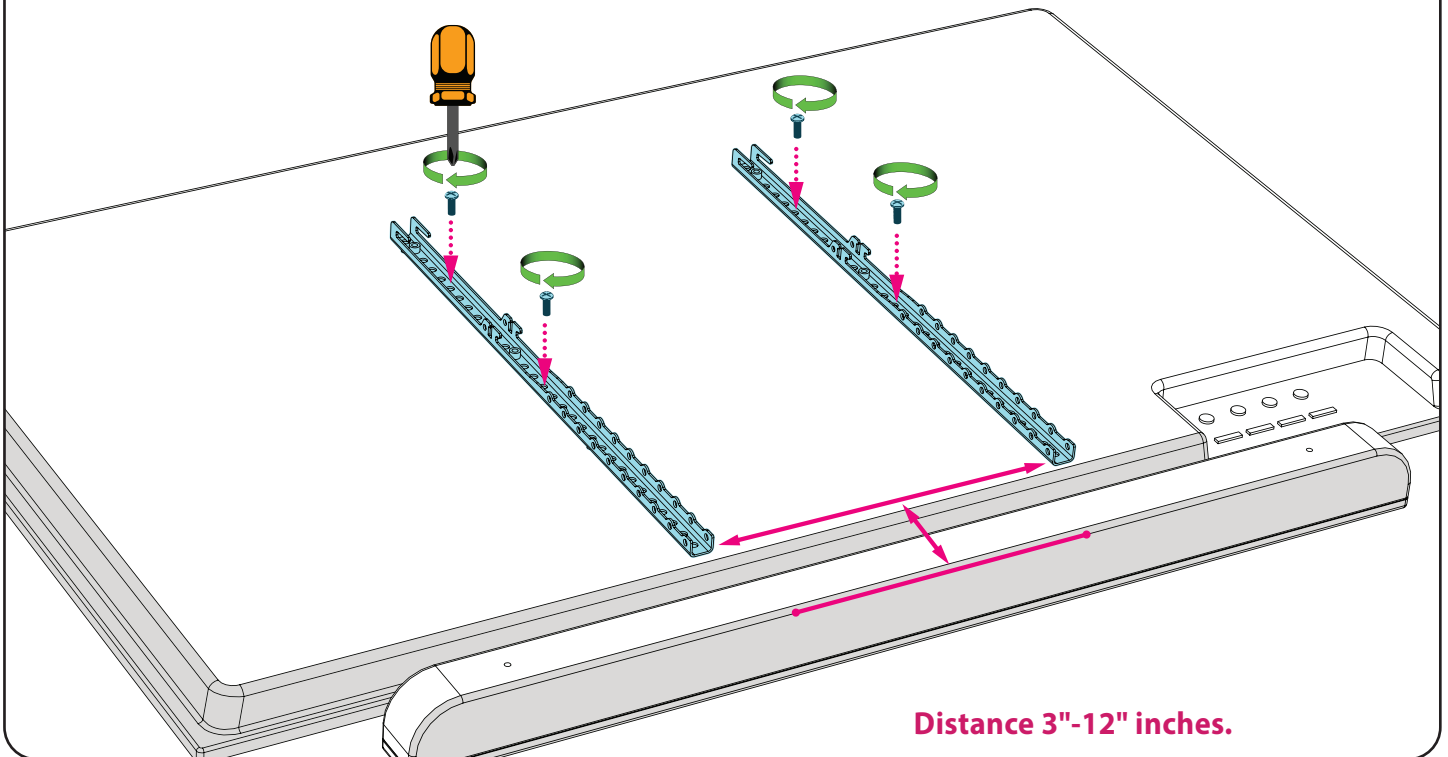
Do not use screws that are too long for the TV's threaded inserts because it may damage internal components!

1.6

Attach the Vertical Braces {31}.

Attach the Braces as low as possible on the TV, but also make sure that the bottom of the Braces is within 3"-12" of the bottom of the TV (or Soundbar).

NOTE: Braces that are mounted low on the TV will hide more of the mount.



1.7

Attach Horizontal Brace {43} and Brace Extenders{30}.

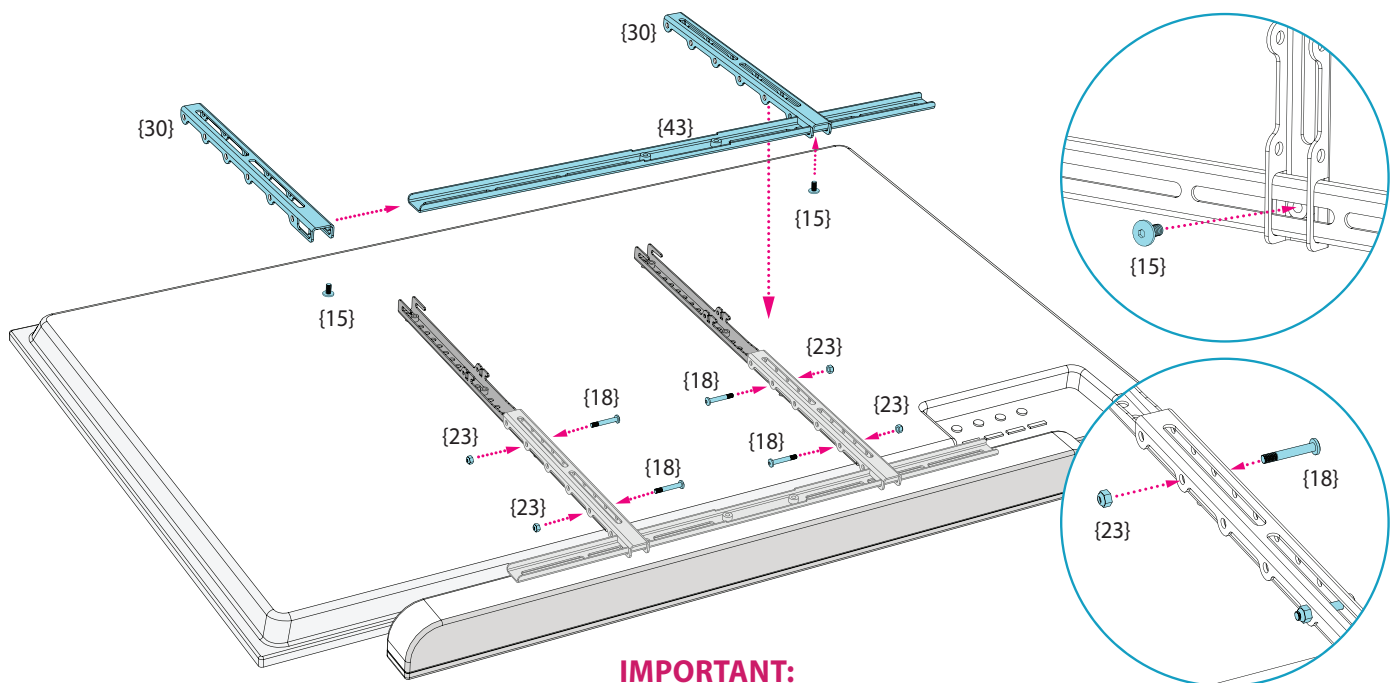
Slide the Extenders onto each side of the Horizontal Brace. Center the Brace in the Extenders.

Use the Vertical Braces on the TV as a temporary guide to attach the Extenders to the Horizontal Brace using Screws {15}.

NOTE: These screws will not be accessible later.

Attach the Extenders to the Vertical Braces with Screws {18} on the INSIDES and Nuts {23} on the OUTSIDES.

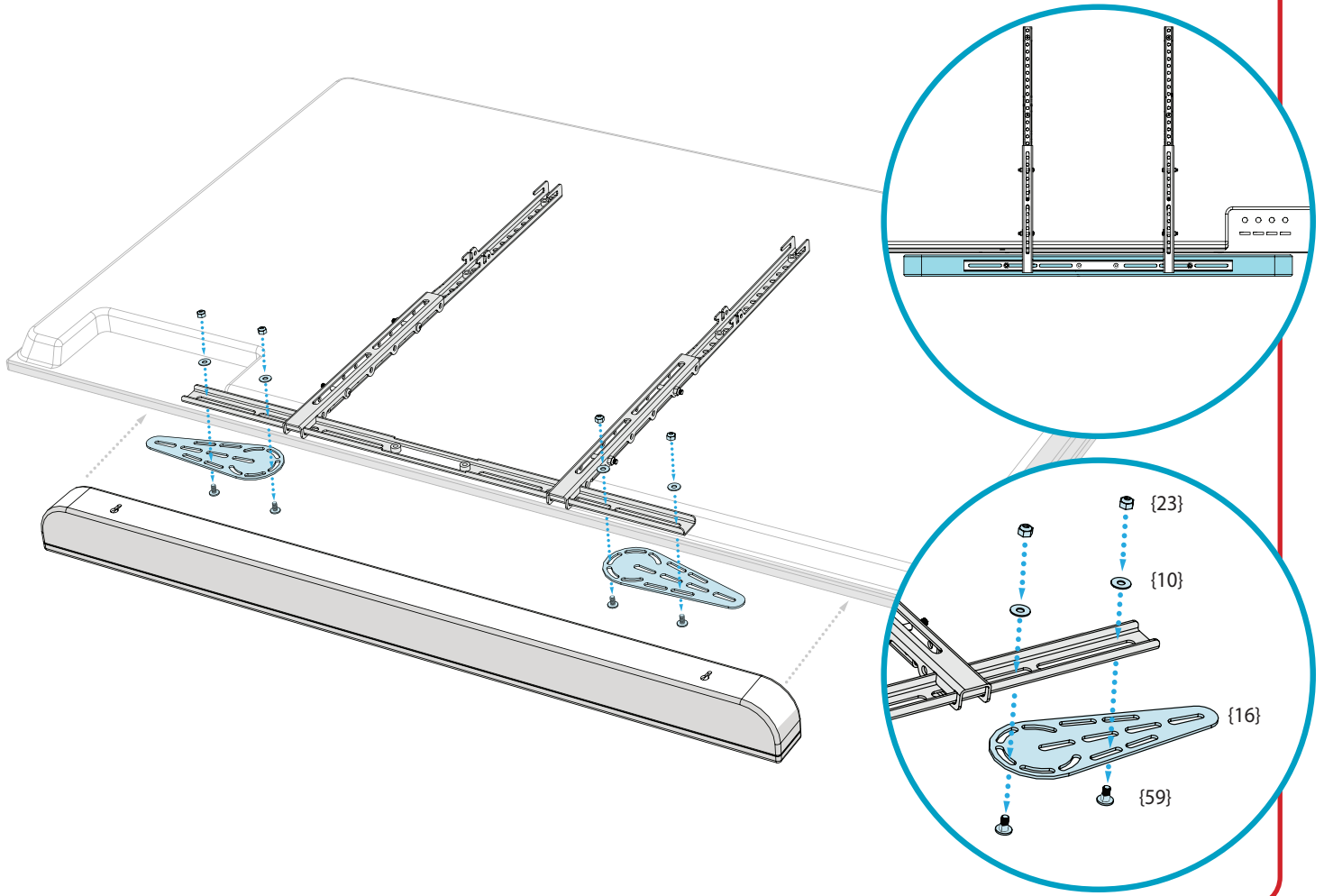
DO NOT install the Center Heat Sensing Handle {42} until STEP 5.3.



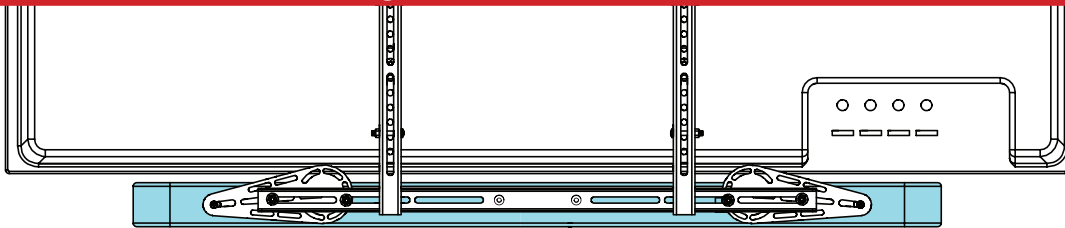
IMPORTANT:
Screws {18} must be on INSIDE. Nuts {23} must be on OUTSIDE

OPTIONAL: Soundbar Configurations

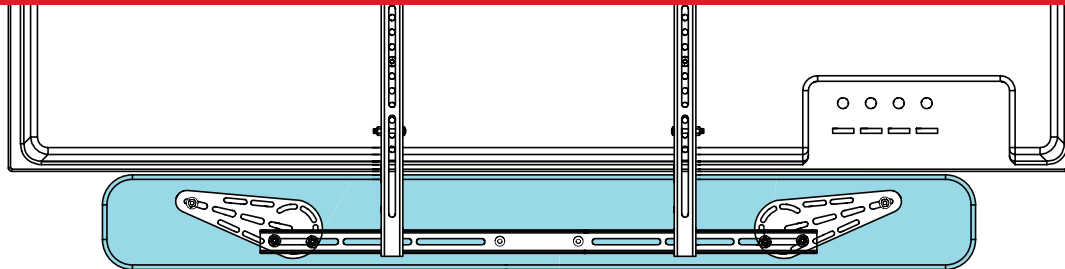
In most cases soundbar can be attached directly to horizontal brace {43}. The soundbar wings are only needed if the soundbar holes are too wide for the Horizontal Brace, or too tall for the Handle to reach below. Otherwise don't use the wings.



Mounting Solution for Wider Sound Bar

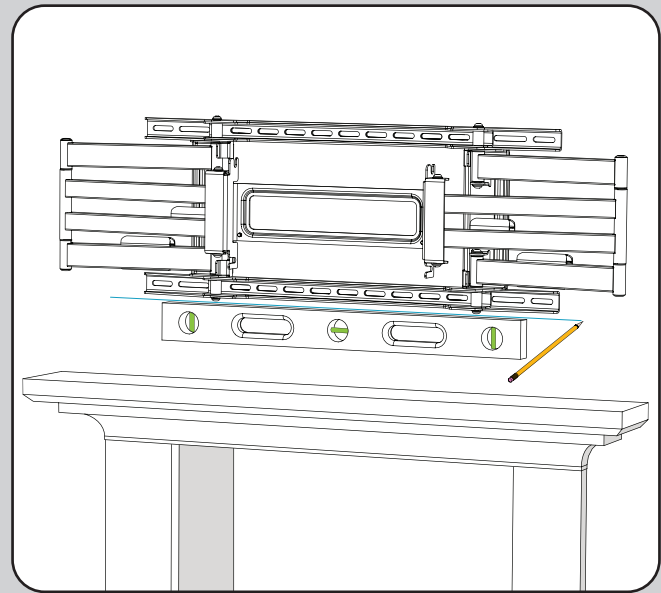


Mounting Solution for Taller Sound Bar



Step 2

Determine Wall Placement

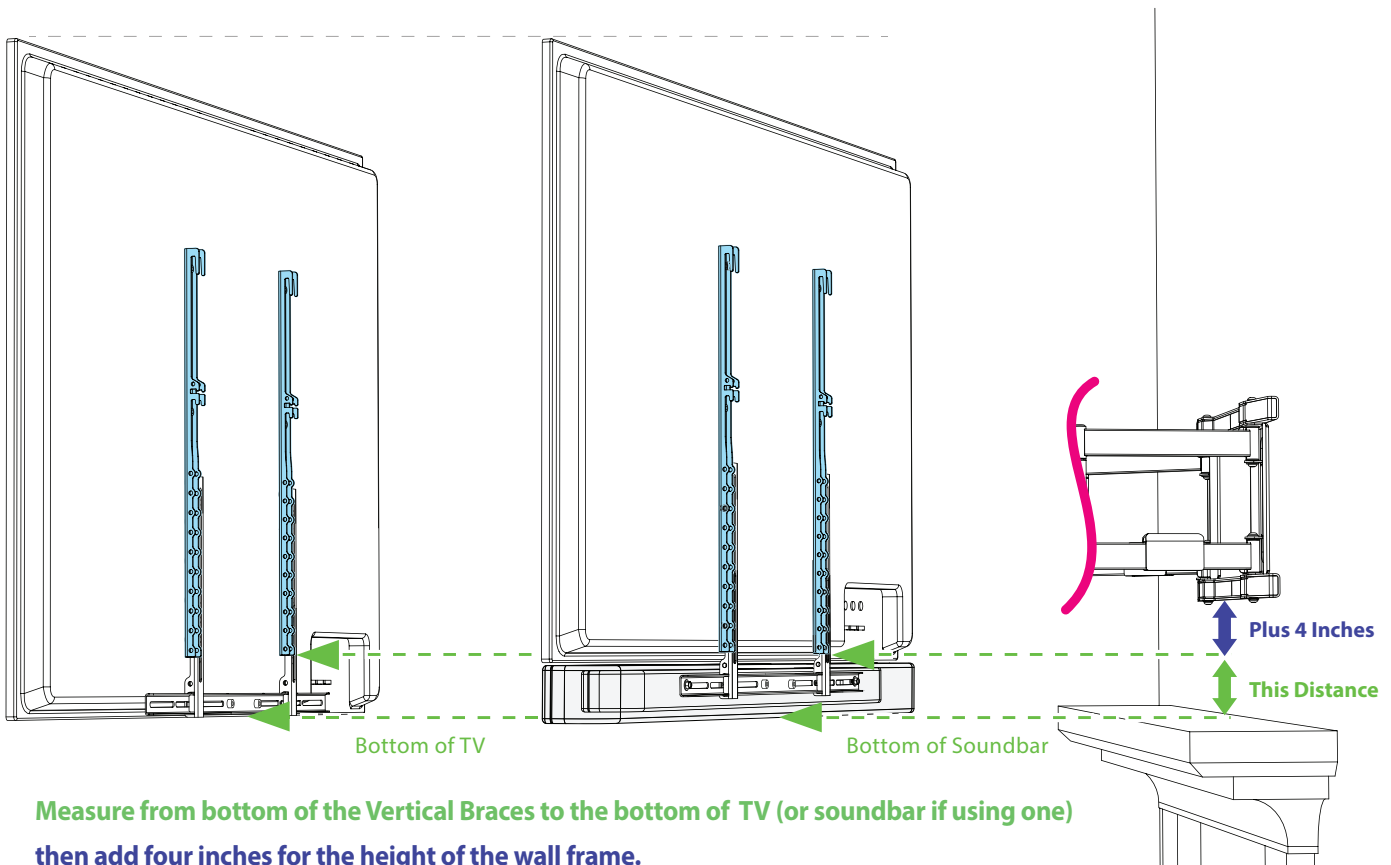


2.1 Determine Wall Location:

Measure the distance from the **BOTTOM** of the Vertical Braces on your TV to the **BOTTOM** of your TV, (or the bottom of the Soundbar if you attached one).

NOTE: This distance should be between 3"-12".

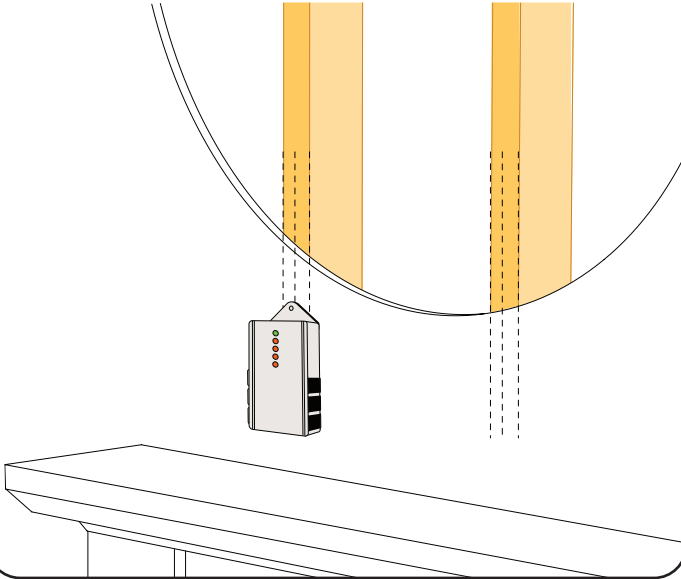
ADD 4 INCHES: The bottom of the Wall Frame {40} will be installed at least 4 INCHES HIGHER than the measured distance.



2.2 Find the center of your mantel and the centers of two studs.

Measure and mark the center line of the mantel onto the wall with tape. Next, use a stud finder to locate two studs, one on each side of the centerline. Maximum stud width is 28 inches.

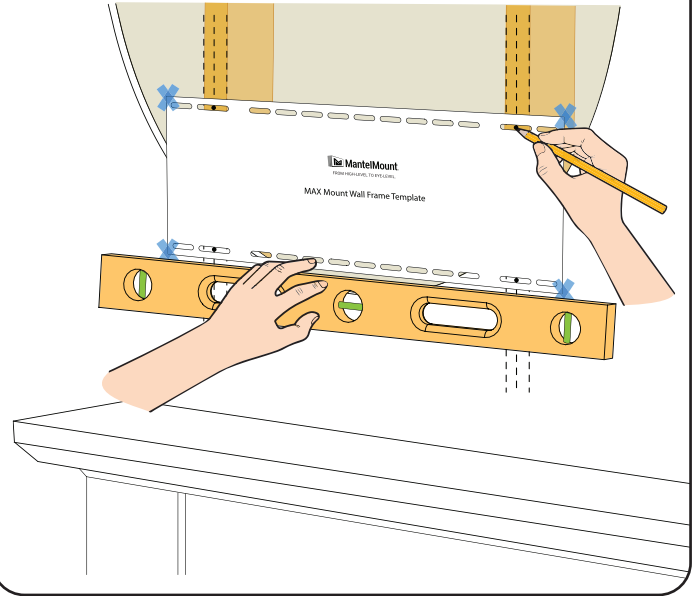
Then, at the height from Step 2.1, locate the center of the stud(s) by poking a sharp awl or finish nail through the drywall to find each stud edge. Mark these center spots on the wall. Lag Bolts must be installed into the CENTER of the studs in as show in STEP 3.1.



2.3 Mark the wall location with the template:

Use the calculated height from STEP 2.1 to locate the Template on the wall. Level the Template and tape it into position. Mark at least four holes where the Template SLOTS align with your wall studs.

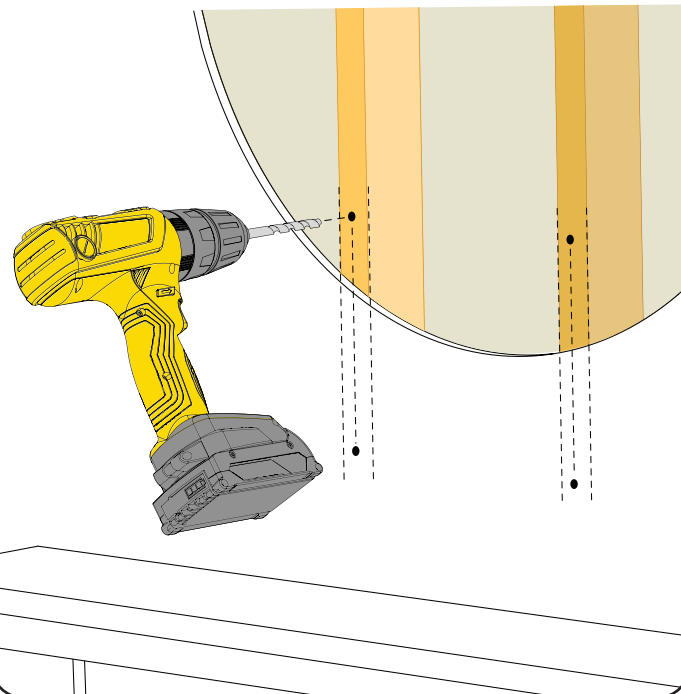
NOTE: DO NOT locate the holes any higher on the wall unless you have verified that you have enough extra clearance at the top.



2.4 Pre-drill Holes

Pre-drill the 4 holes with 7/32" drill bit to a depth of 2.5 inches (65mm) including wall covering.

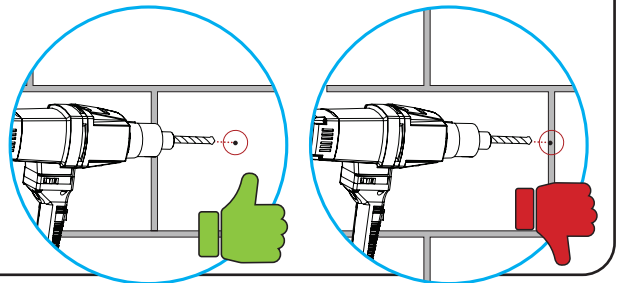
CAUTION: Wall covering (drywall) must not exceed 5/8" thickness.



2.5 Concrete Wall Installation

Concrete must be large blocks or solid walls able to hold four times the weight of the TV and Mount.

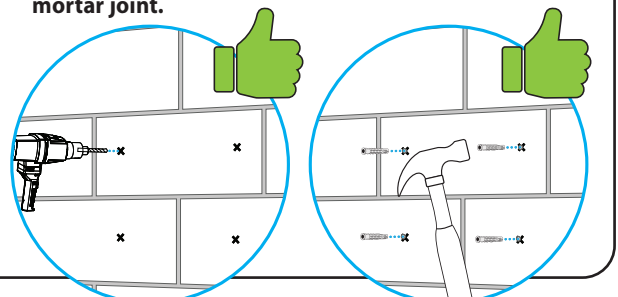
CAUTION: Install anchors at least 2 inches from mortar or joints



2.6 Installing Concrete Anchors

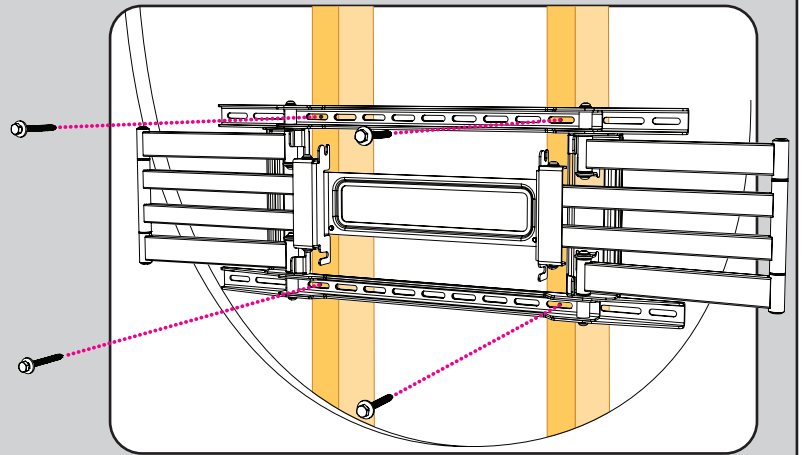
Drill pilot holes to a depth of 3 in. (75mm) using a 3/8" in. (10mm) diameter masonry drill bit. Insert Concrete Anchors {57} until flush.

Note: Pilot holes must be at least 2 inches away from mortar joint.



Step 3

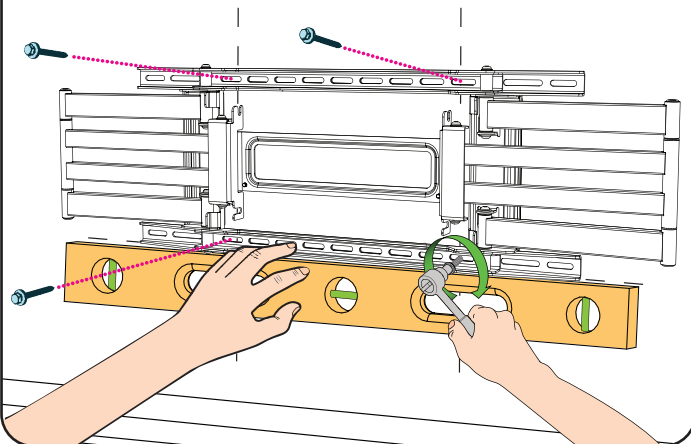
Attach Mount to Wall



3.1 Attach The Wall Frame:

Level the Wall Frame and attach it to the wall with Lag Bolts {17} and Washers {11}

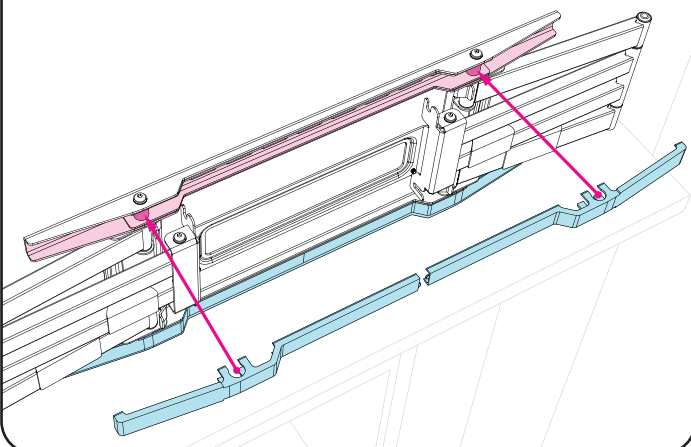
⚠ CAUTION: Do Not over tighten Lag Bolts {17}. Tighten only until the washers are firmly against the wall plate. Damage due to over tightening can cause property damage or injury.



3.2 Attach The Wall Frame Covers {41}:

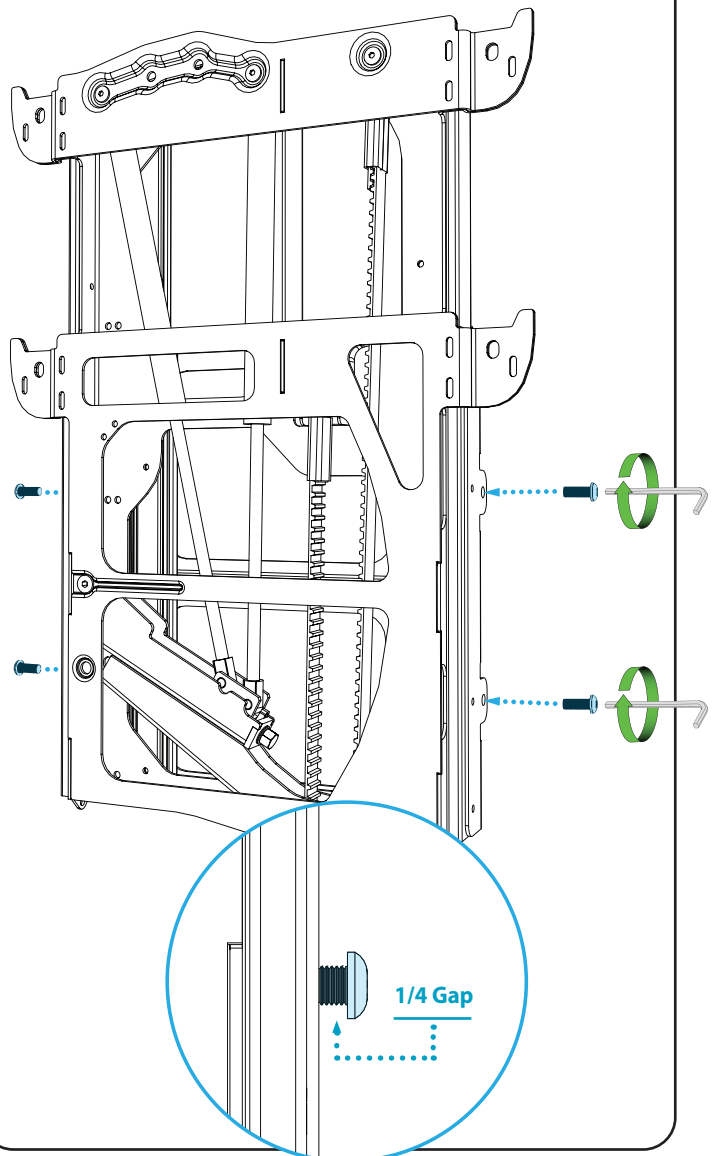
Tuck the center tabs under each other before snapping the Cover onto the metal post inside the Wall Frame.

To remove, gently pry the Cover from the end.



3.3 Prepare The Lifting Mechanism:

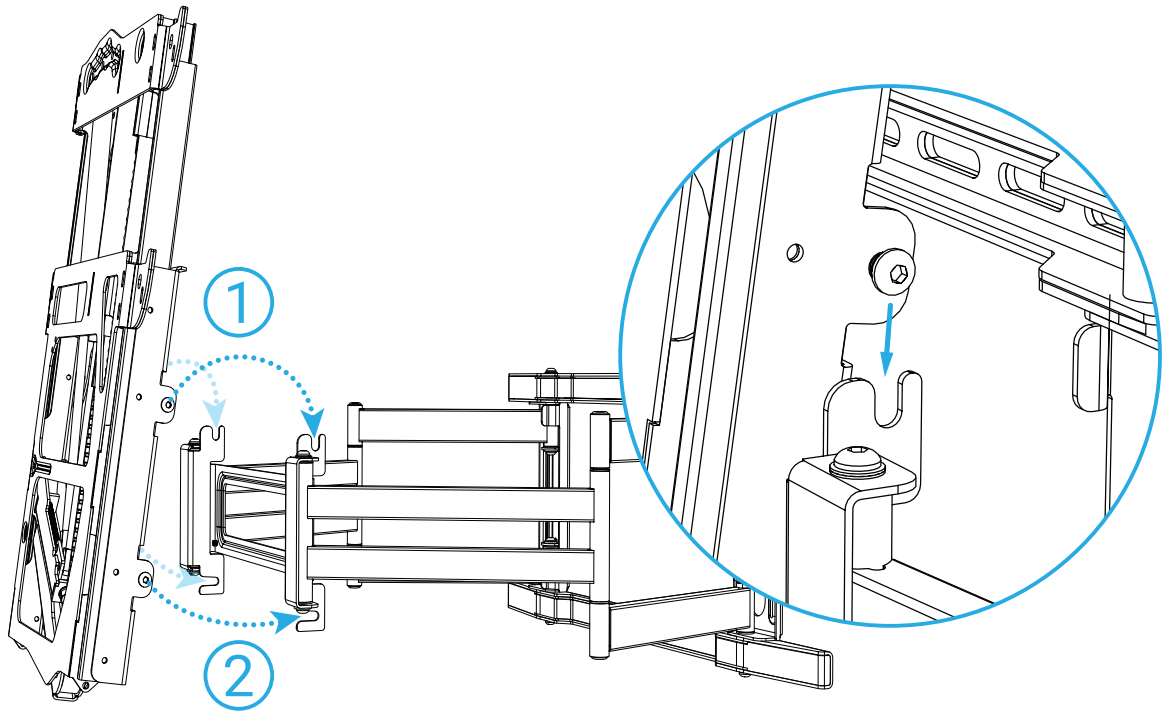
Partially thread four Screws {13} into the threaded tabs on the sides of the Mechanism. DO NOT thread them in all the way. The 1/4" gap will be used to hang the Mechanism.



3.4

Hang the Mechanism:

Pull the Wall Frame horizontally from the wall. Lower the thread gaps of the top Screws of the Lifting Mechanism into the top slots of the Wall Frame, then swing the lower Screws into the lower slots. **DO NOT** tighten the screws.



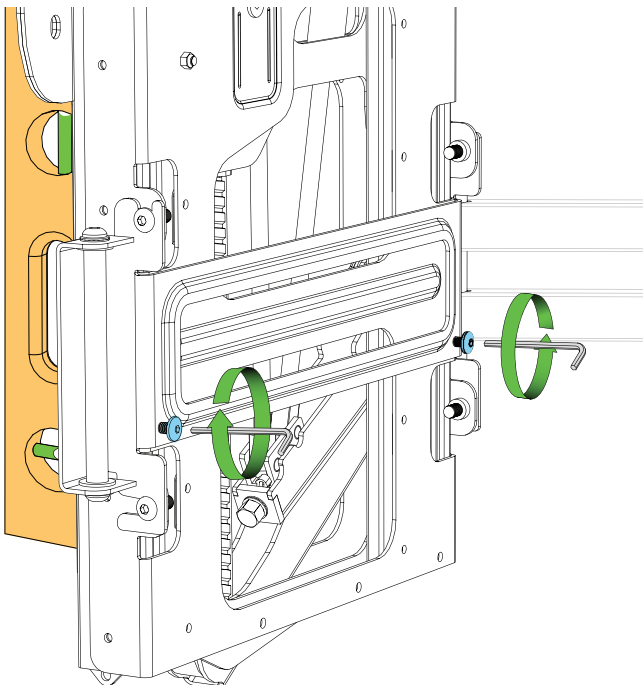
3.5

Remove Tilt of the Lifting Mechanism:

Install two Screws {15} into the threaded holes at the back of the Wall Frame bracket as shown.

Using a level vertically on the front of the Lifting Mechanism, remove any unwanted tilting by turning these screws in or out.

NOTE: Make sure that both screws are equally snug against the Lifting Mechanism.

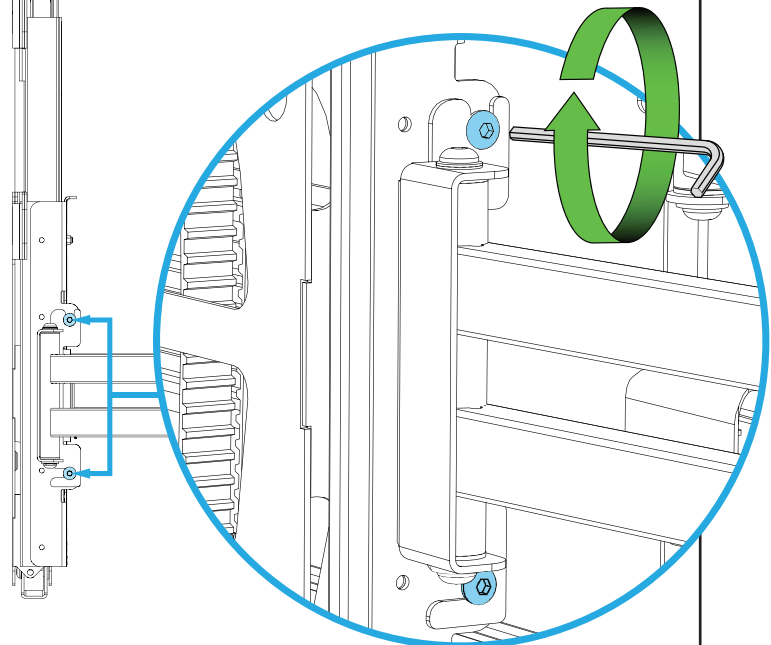


3.6

Secure the Lifting Mechanism:

Tighten the four Screws {13}.

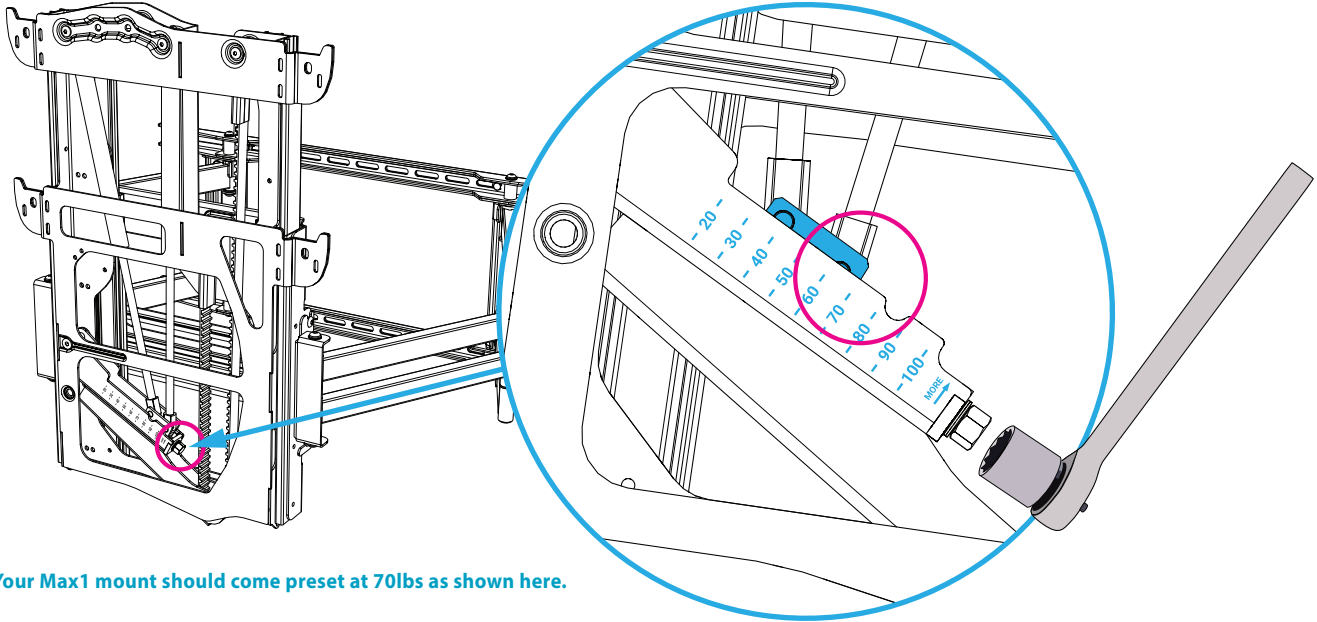
NOTE: Hanging the TV might add more unwanted tilting, so be prepared to loosen these Screws again and re-adjust the Tilting Screws as shown in STEP 3.5.



STEP 4 – Attach TV to Mount

4.1 Pre-adjust the Lifting Force

Before hanging the TV, retrieve the weight of your TV (and Soundbar) from the owner's manual or website. Adjust the tension bolt so that the front edge of the Gas Spring Block aligns with the correct weight. Rotating the bolt clockwise in the direction shown as "MORE" will increase the lifting force.

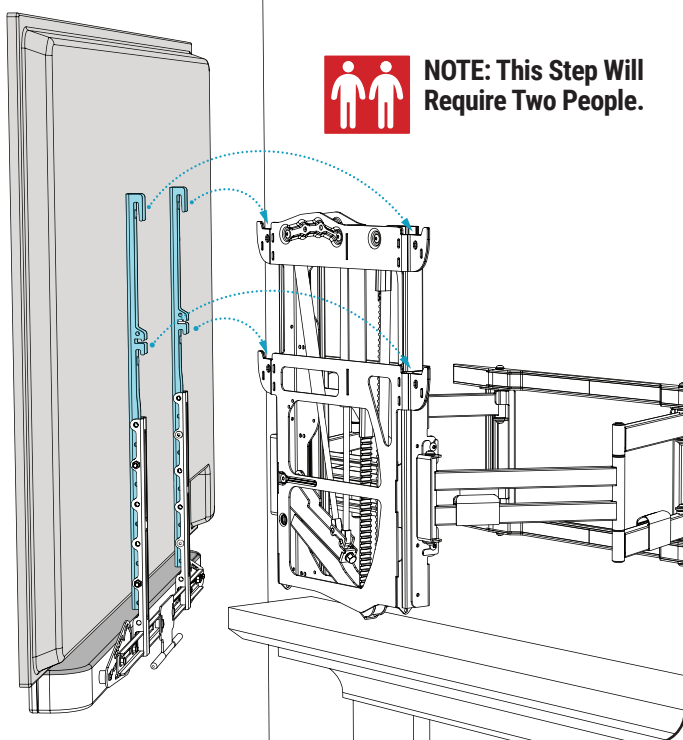


Your Max1 mount should come preset at 70lbs as shown here.

4.2 Hang the TV

Pull the Lifting Mechanism away from the wall. Hang ALL FOUR hooks and slowly release the TV.

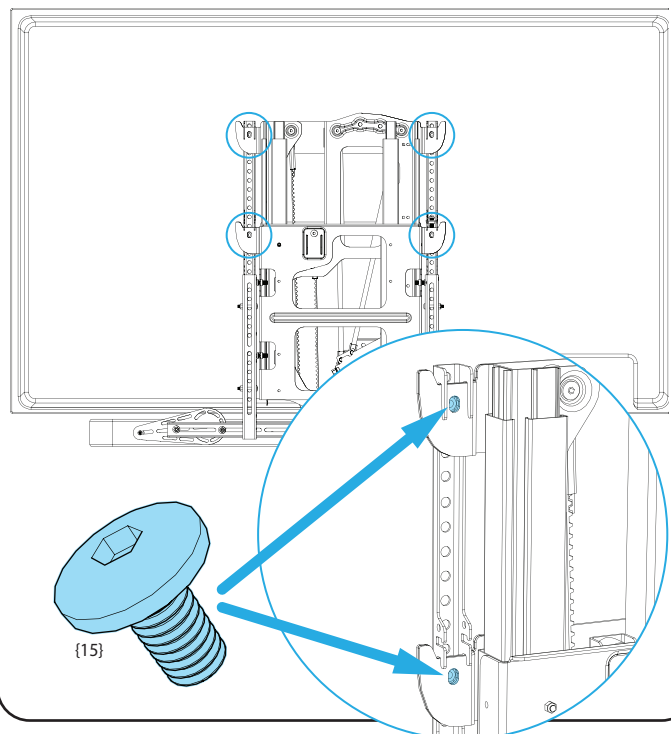
If the TV starts to lower, REMOVE THE TV and increase the lifting force as shown in STEP 4.1.



NOTE: This Step Will Require Two People.

4.3 SECURE the TV

Insert four Screws {15} into the Vertical TV Braces, but DO NOT TIGHTEN them until the TV is leveled as shown in STEP 5.1.

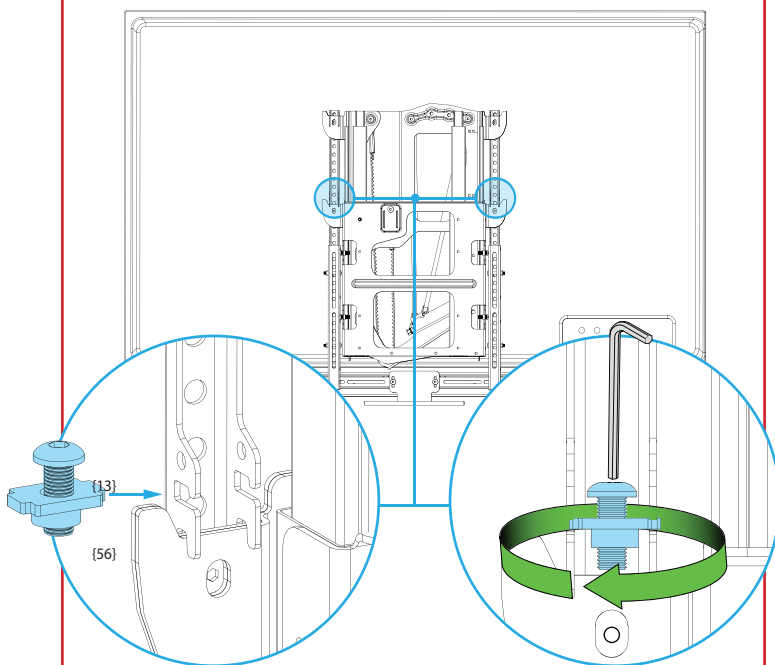


STEP 5 – Make Final Adjustments

5.1 Level the TV

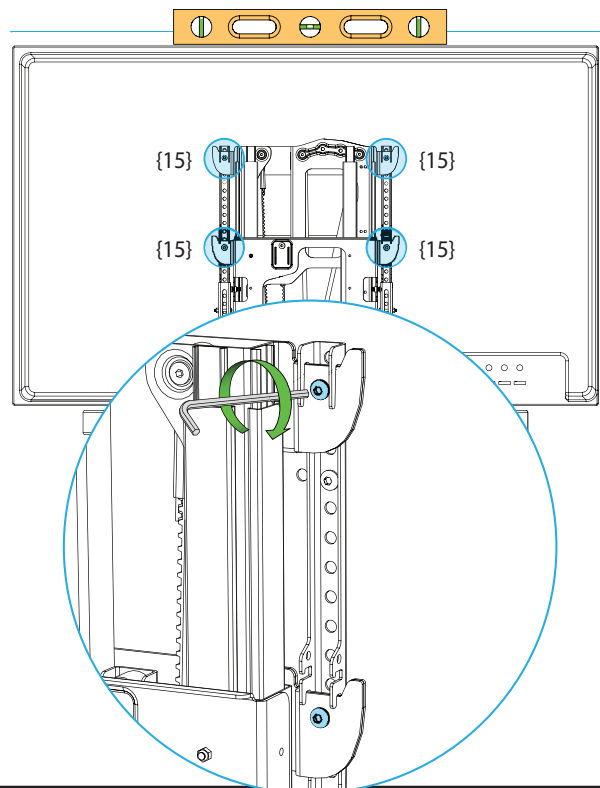
OPTIONAL

If the TV is NOT LEVEL, insert the Leveling Block {56} with Screw {13} into the notch in the Vertical TV Brace on the side that is TOO LOW. Turn the Screw downward until the TV is level.



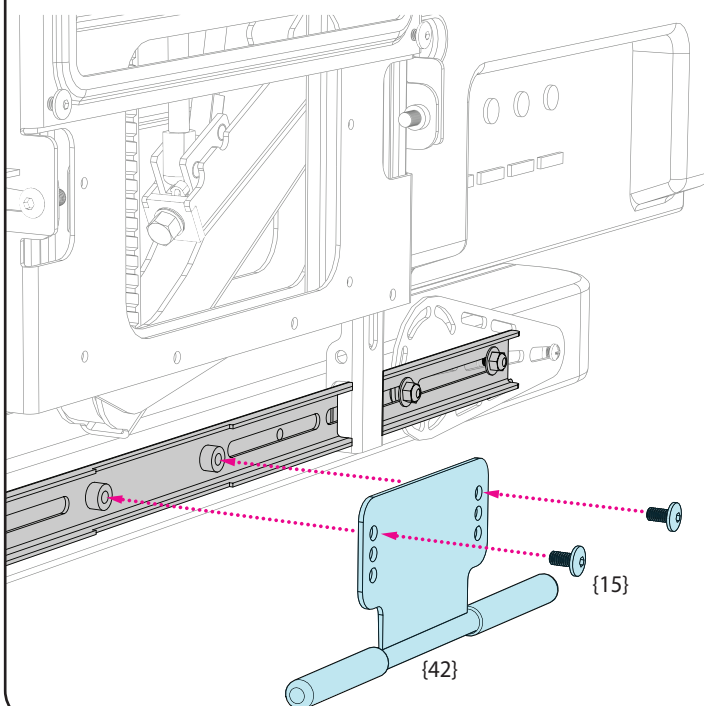
5.2 Tighten the Hanging Screws:

When the TV is level, tighten Screws {15}.



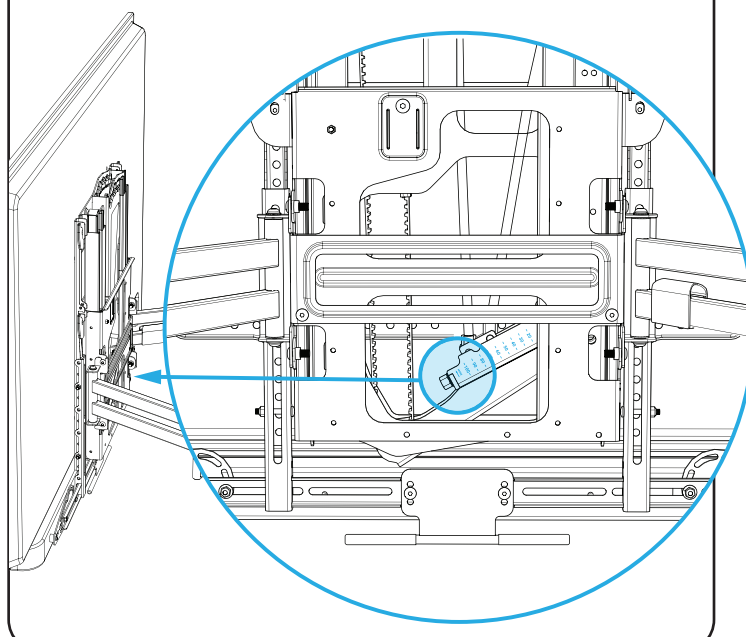
5.3 Install the Center Heat Sensing Handle

Attach the Center Heat Sensing Handle {42} with Screws {15} to the Horizontal Brace {43}.



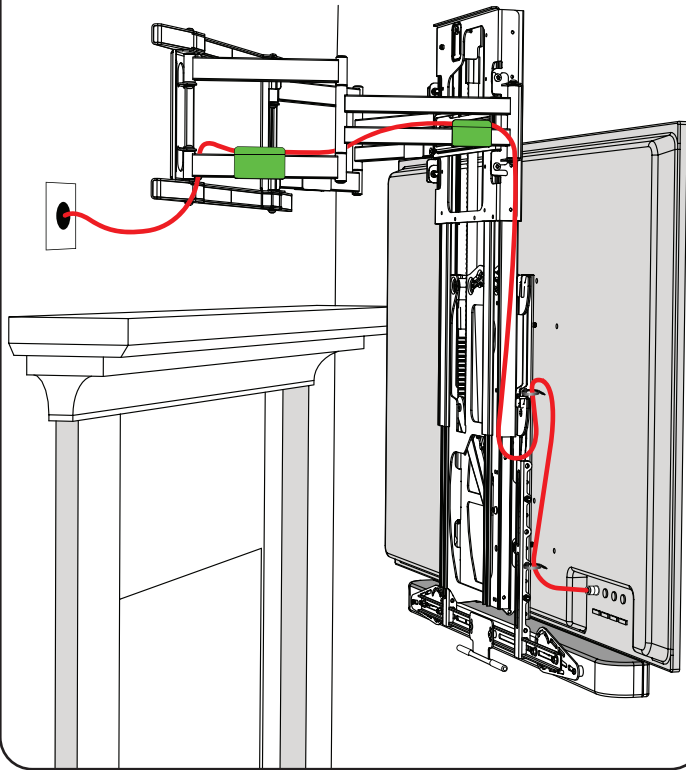
5.4 Fine Tuning the Lifting Force

From the back of the Lifting Mechanism, adjust the lifting force as you did in STEP 4.1, until the force required to raise and lower the TV is the same in both directions.



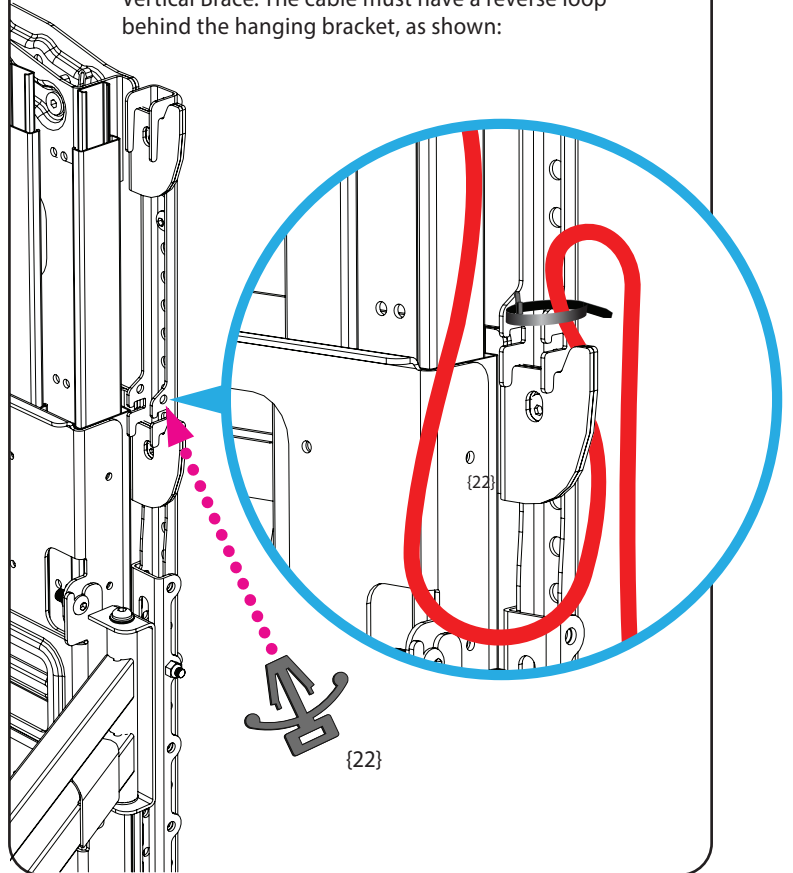
5.5 Routing Component Cables

Pull the mount all the way down. Cables should be installed as shown:



5.6 Routing Component Cables

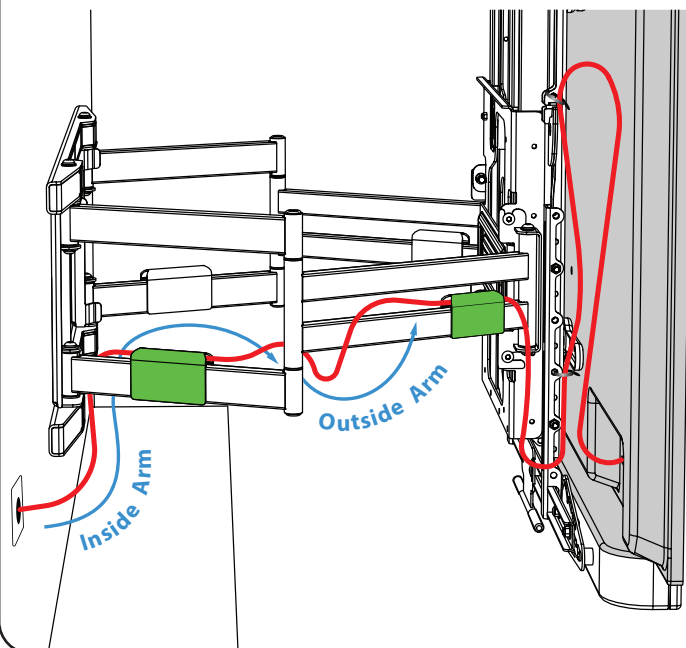
Cable is attached to the cable anchor {22} on the Vertical Brace. The cable must have a reverse loop behind the hanging bracket, as shown:



5.7 Routing Component Cables

In the UP position the cable should have a dangle hanging as shown:

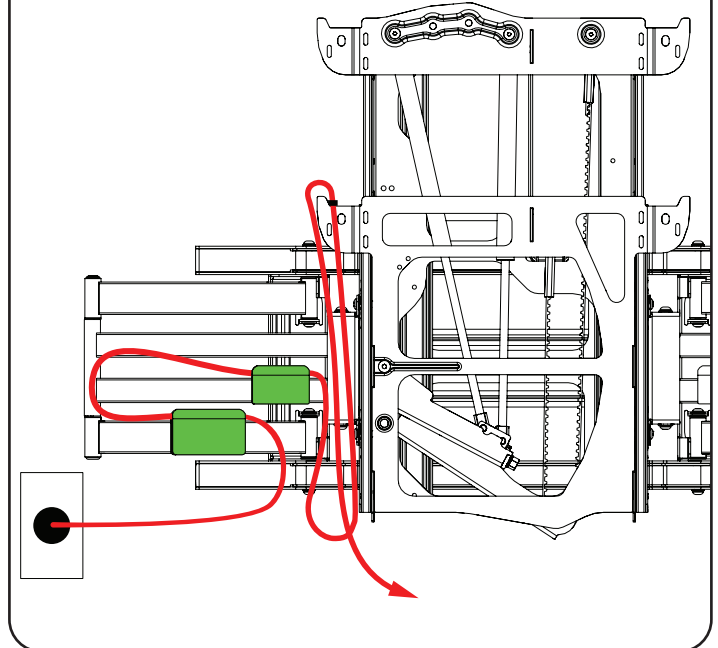
Run the cable along the OUTSIDE of the first horizontal arm and attach with the small cable clip, and then on the INSIDE of the second horizontal arm and attach with the large cable clip.



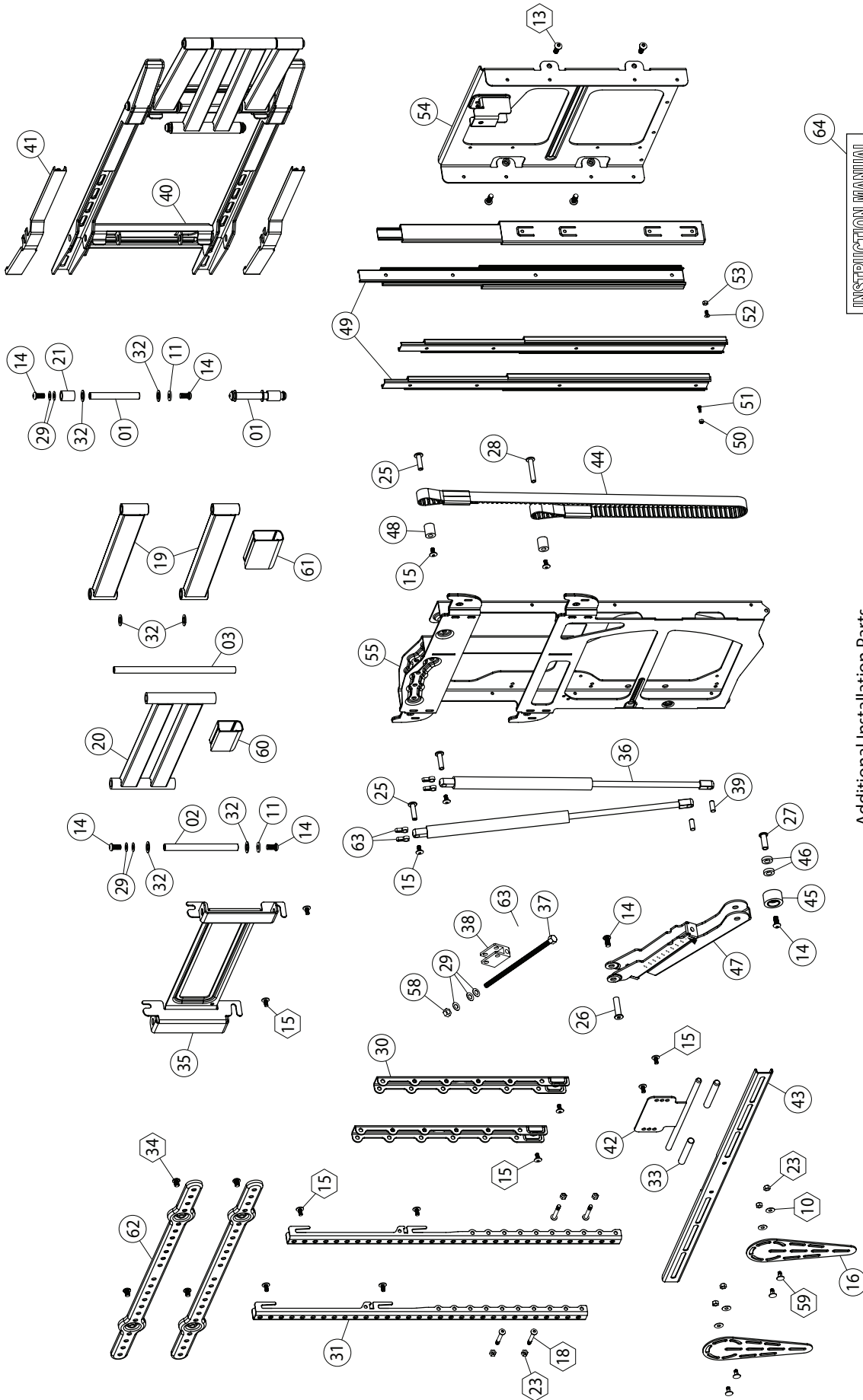
5.8 Routing Component Cables

In the UP position and FLAT to the wall, the cable on the horizontal arms should be visible as shown:

The cable should not pinch or bind through all motions. (the TV and TV Braces are not shown)

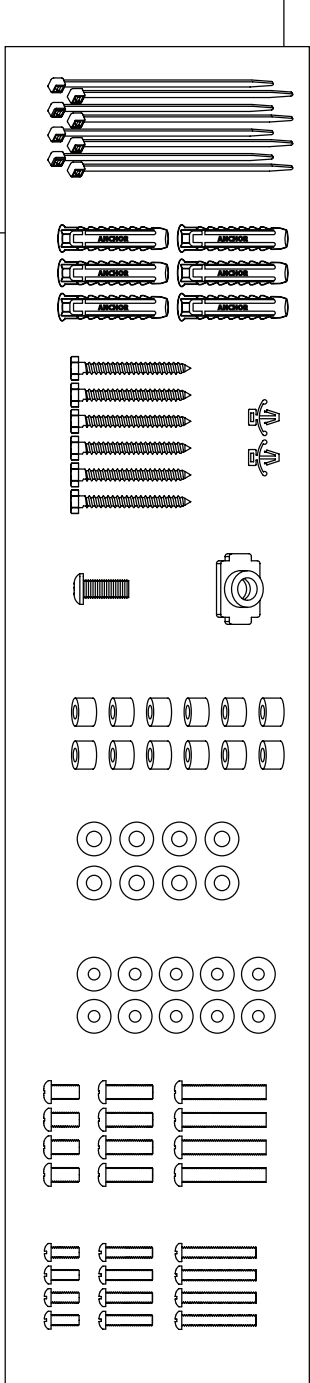


NOTES



INSTRUCTION MANUAL

Additional Installation Parts



X Packaged

ITEM NO.	PART NUMBER	DESCRIPTION	QTY.
1	42046	Pivot Rod	4
2	42047	Pivot Rod	2
3	42048	Rivet	2
4	12193	M6 x 16	4
5	12194	M6 x 30	4
6	12195	M6 x 40	4
7	12197	M8 x 15	4
8	12198	M8 x 25	4
9	12199	M8 x 45	4
10	12166	Washer M6	14
11	14126	Washer M8 x 2	14
12	12122	Spacer	12
13	12179	Round Head Screw M8 x 20	5
14	12176	Round Head Screw M8 x 16	10
15	12178	Round Head Screw M6 x 12	8
16	15010	SoundBar Wing	2
17	12154	Lag Bolt M8 x 60mm	6
18	12255	Round Head Screw M6 x 35	4
19	41013	Inner Arm	4
20	41017	Outer Arm	2
21	42014	Spacer	4
22	14110	Cable Tie Anchor	2
23	12183	Locknut M6	8
24	12162	Tie Wrap	8
25	42029	Screw Post M6 x 8 O.D. x 28 L	3
26	42033	Screw Post M8 x 10 O.D. x 38 L	1
27	42031	Screw Post M8 x 10 O.D. x 27 L	1
28	42002	Screw Post M6 x 8 O.D. x 45 L	1
29	12247	Disk Spring Washer, M8	15
30	14056	TV Brace Extender	2
31	41040	TV Vertical Brace	2
32	42013	Washer M12	12
33	23024	Handle Rubber	2
34	12276	Round Head Screw M8 x 10	4
35	41015	Arm Bracket	1
36	13064	Gas Spring	2
37	42023	Hex Bolt M8 x 185	1
38	41050	Gas Spring Slider	1
39	42004	Mounting Pin	2

ITEM NO.	PART NUMBER	DESCRIPTION	QTY.
40	41010	Wall Frame, Welded	1
	41000	Wall Plate	2
	41002	Wall Plate Insert	2
	41005	Wall Bracket	2
41	41003	Wall Plate Cover	4
42	23023	Center Handle, Hidden	1
43	14060	TV Horizontal Brace	1
44	42037	Belt Assembly	1
	42038	Belt Clamp	2
45	41044	Pulley	1
46	42020	Roller Bearing	2
47	41037	Adjuster Rail, Welded, Printed	1
	41033	Adjuster Rail	1
	41042	Pulley Rail	1
	41007	Adjuster Rail Cap	2
	41045	Locking Gear	1
48	42039	Belt Spacer	2
49	41029	Slider Rail	4
50	12243	Locknut M4	15
51	12242	Panhead Screw, M4 x 10 (Inner Rail)	15
52	12180	Panhead Screw, M5 x 10 (Outer Rail)	15
53	21191	Locknut M5	15
54	41021	Slider Bracket, Welded	1
	41020	Slider Bracket	1
	41038	Belt Anchor Bracket	1
	42003	Thread Insert, M8	4
55	41027	Slider Housing, Welded	1
	41025	Slider Housing	1
	41024	Slider Housing Top Brace	1
	41026	Slider Housing Bottom Brace	1
56	42041	Leveling Block	1
57	25010	Concrete Wall Anchor	6
58	12186	Nut, M8	1
59	15083	Carriage Bolt, M6 x 12	4
60	42019	Cable Clip 30 x 20	2
61	42021	Cable Clip 40 x 20	2
62	41041	VESA Cross Brace	2
63	42027	Clip Spacer	5
64	MM-MAX1	Instruction Manual	1



For missing/damaged parts or questions during installation,
please contact our Customer Support team at **1.800.897.9755 ext.1**
or **support@mantelmount.com**. Customer satisfaction is our highest priority!

For more information on MantelMount patented technology visit: www.mantelmount.com/pages/patents



WARNING: This product can expose you to chemicals including Lithium Grease, which is known to the State of California to cause cancer or developmental harm. For more information go to www.P65Warnings.ca.gov.

MAILING ADDRESS: 2647 Gateway Road Ste. 105-435 Carlsbad, CA 92009

mantelmount.com

© 2024 MANEHU PRODUCT ALLIANCE, LLC

REV. Max1 06.26.24