



INSTALLATION INSTRUCTIONS Commercial Washer

INSTRUCTIONS D'INSTALLATION Laveuse commerciale

INSTRUCCIONES DE INSTALACIÓN Lavadora comercial

TABLE OF CONTENTS

	Page
Washer Safety	2
Tools & Parts	3
Dimensions	3
Location Requirements	4
Installation Instructions	5
Level Washer	5
Connect Drain Hose	6
Drain System	6
Connect Inlet Hoses	7
Electrical Requirements	8
Complete Installation	8
Typical Full Load Sizes	9
Washer Maintenance	9
If You Need Assistance	9
Alternate Parts & Accessories	9
Electronic Controls Set-Up Instructions ..	10
Access to USB Port	12

TABLE DES MATIÈRES

	Page
Sécurité de la laveuse	13
Outils et pièces	14
Dimensions	14
Exigences d'emplacement	15
Instructions d'installation	16
Réglage de l'aplomb de la laveuse	16
Raccordement du tuyau de vidange ..	17
Système de vidange	17
Raccordement des tuyaux de vidange	18
Spécifications électriques	19
Fin de l'installation	19
Tailles typiques d'une pleine charge ..	20
Entretien de la laveuse	20
En cas de besoin d'assistance	20
Pièces supplémentaires et accessoires	20
Instructions de configuration des commandes électroniques	21
Accès au port usb	23

ÍNDICE

	Página
Seguridad de la lavadora	24
Herramientas y piezas	25
Medidas	25
Requisitos de la ubicación	26
Instrucciones de instalación	27
Nivelación de la lavadora	27
Conecte la manguera de desagüe	28
Sistema de desagüe	28
Conecte las mangueras de entrada ..	29
Requisitos eléctricos	30
Instalación completa	30
Tamaños de cargas típicas de volumen completo	31
Mantenimiento de la lavadora	31
Si necesita asistencia	31
Piezas y accesorios adicionales	31
Instrucciones para la configuración de los controles electrónicos	32
Cómo acceder al puerto usb	34

WASHER SAFETY

Your safety and the safety of others are very important.

We have provided many important safety messages in this manual and on your appliance. Always read and obey all safety messages.



This is the safety alert symbol.

This symbol alerts you to potential hazards that can kill or hurt you and others.

All safety messages will follow the safety alert symbol and either the word "DANGER" or "WARNING."

These words mean:

⚠ DANGER

You can be killed or seriously injured if you don't immediately follow instructions.

⚠ WARNING

You can be killed or seriously injured if you don't follow instructions.

All safety messages will tell you what the potential hazard is, tell you how to reduce the chance of injury, and tell you what can happen if the instructions are not followed.

IMPORTANT SAFETY INSTRUCTIONS

WARNING: To reduce the risk of fire, electric shock, or injury to persons when using the washer, follow these basic precautions, including the following:

- Read all instructions before using the washer
- Do not wash articles that have been previously with cleaned in, washed in, soaked in, or spotted with gasoline, dry - cleaning solvents, other flammable, or explosive substances as they give off vapours that could ignite or explode.
- Do not add gasoline, dry-cleaning solvents, or other flammable or explosive substances to the wash water. These substances give off vapors that could ignite or explode.
- Under certain conditions, hydrogen gas may be produced in a hot water system that has not been used for 2 weeks or more. **HYDROGEN GAS IS EXPLOSIVE.** If the hot water system has not been used for such a period, before using a washing machine, turn on all hot water faucets and let the water flow from each for several minutes. This will release any accumulated hydrogen gas. As the gas is flammable, do not smoke or use an open flame during this time.
- Do not allow children to play on or in the appliance. Close supervision of children is necessary when the appliance is used near children.
- Before the washer is removed from service or discarded, remove the door or lid.
- Do not reach into the washer if the drum, tub or agitator is moving.
- Do not install or store this washer where it will be exposed to the weather.
- Do not tamper with controls.
- Do not repair or replace any part of the washer or attempt any servicing unless specifically recommended in this manual or in published user-repair instructions that you understand and have the skills to carry out.
- See "Electrical Requirements" located in the installation instructions for grounding instructions.
- **WARNING:** Do not wash water-resistant or water repellent-type clothing. Failure to closely follow these instructions may result in an abnormal vibrating and out-of-balance condition that could result in physical injury, property damage, and/or appliance damage.

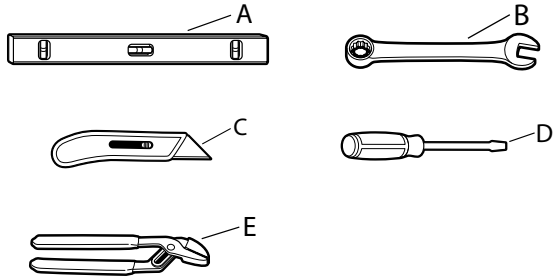
SAVE THESE INSTRUCTIONS

FOR YOUR SAFETY

Do not store or use gasoline or other flammable vapors and liquids in the vicinity of this or any other appliance.

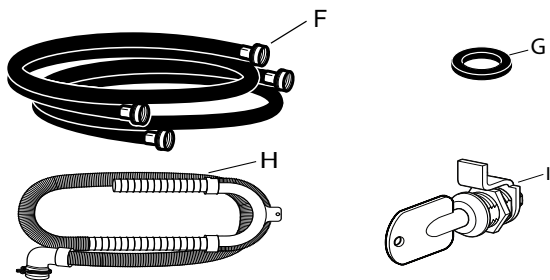
TOOLS & PARTS

Tools Needed:



- A. Level
- B. 9/16" open-end wrench
- C. Utility knife
- D. Flat-blade screwdriver
- E. Pliers

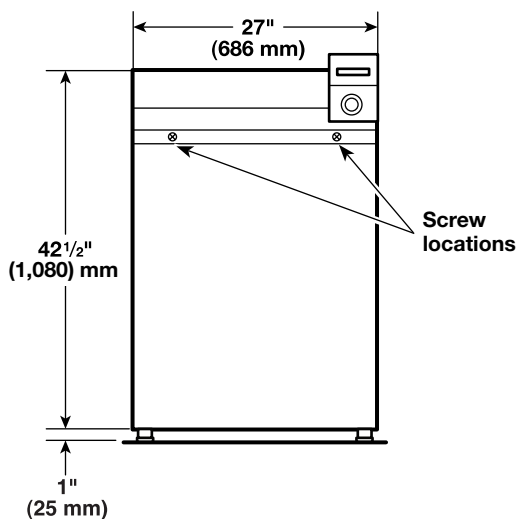
Parts Supplied:



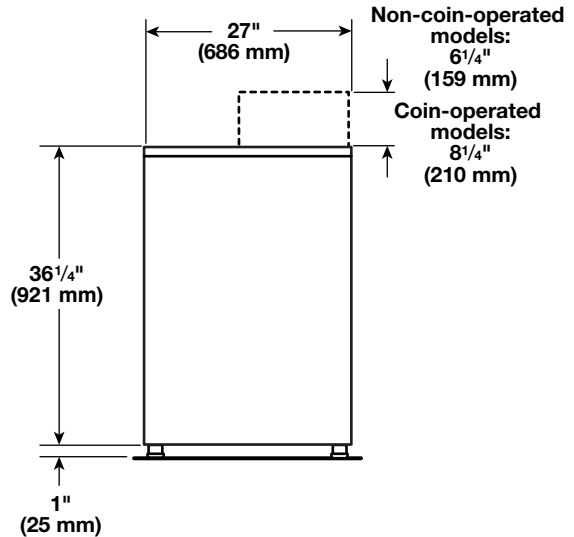
- F. Water inlet hose (2)
- G. Inlet hose washer (4)
- H. Drain hose with clamp, U-form, and cable tie
- I. Service door lock assembly

DIMENSIONS

Front View

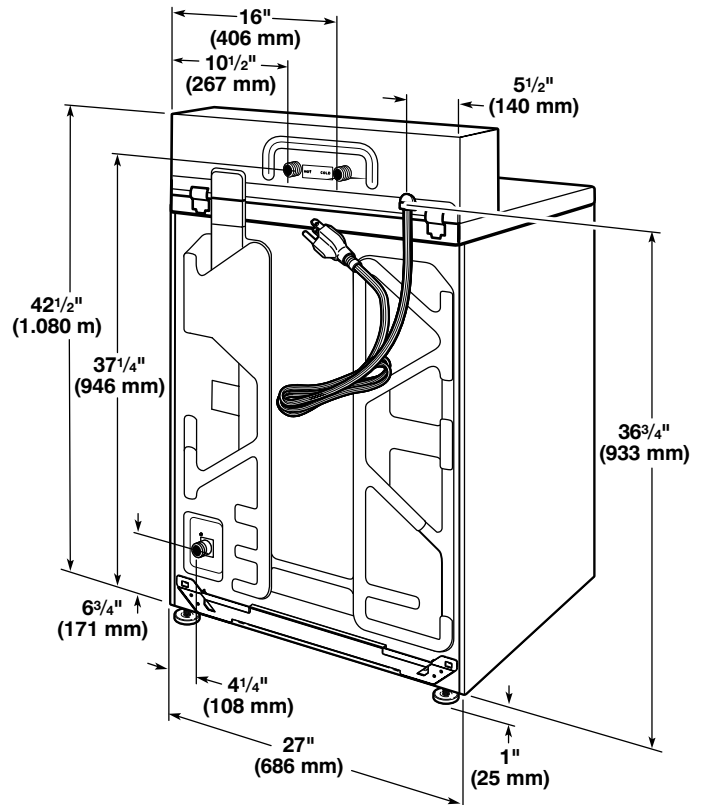


Side View

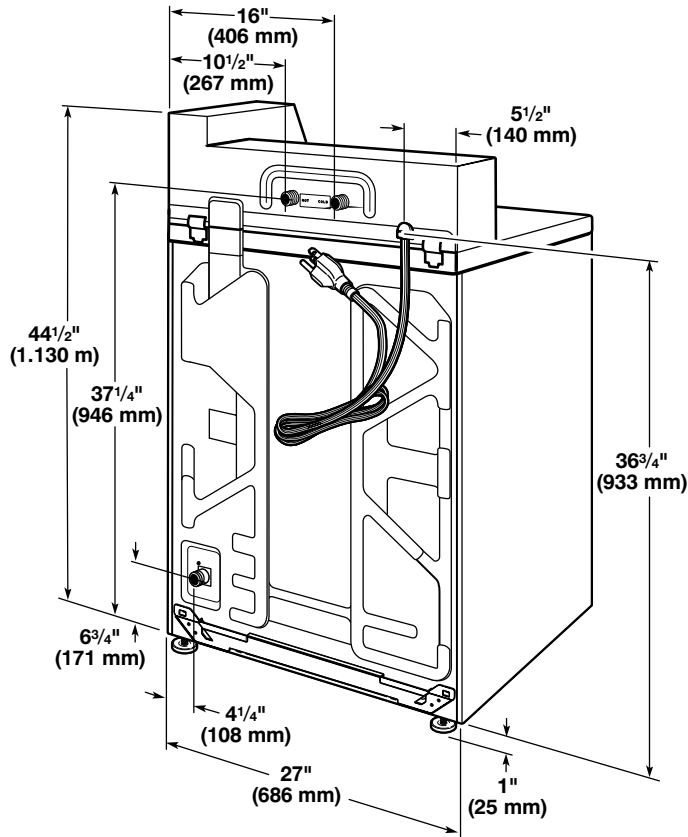


Back View

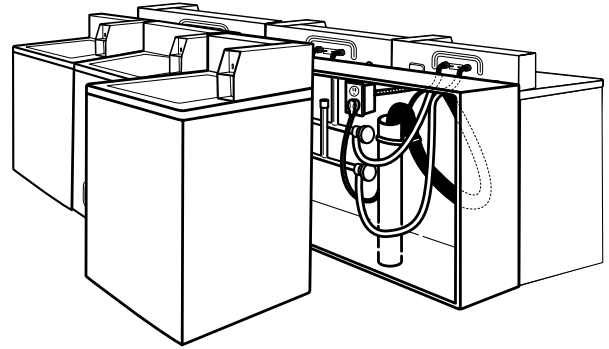
Non-coin-operated models



Coin-operated models



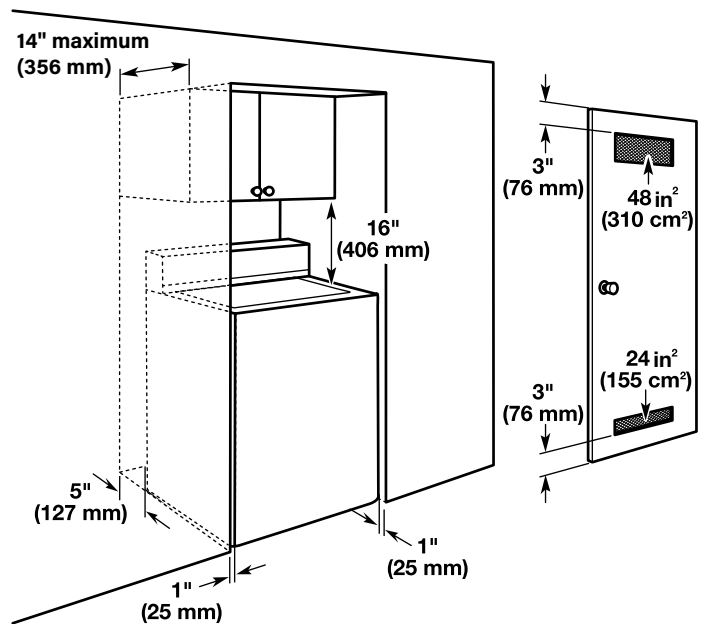
- A floor drain under the bulkhead. Prefabricated bulkheads with electrical outlets, water inlet lines, and drain facilities should be used only where local codes permit.



Recessed Area or Closet Installation

This washer may be installed in a recessed area or closet. The installation dimensions shown are the minimum spaces allowable. Additional spacing should be considered for ease of installation and servicing. Companion appliance spacing should be considered.

Minimum installation spacing



LOCATION REQUIREMENTS

Selecting the proper location for your washer improves performance and minimizes noise and possible washer “walk.”

Your washer can be installed in a basement, laundry room, or recessed area. See “Drain System.”

Companion appliance location requirements should also be considered.

IMPORTANT: Do not install or store the washer where it will be exposed to the weather. Do not store or operate the washer in temperatures at or below 32°F (0°C). Some water can remain in the washer and can cause damage in low temperatures. Proper installation is your responsibility.

You will need:

- A water heater set to 120°F (49°C).
- A grounded electrical outlet located within 4 ft (1.2 m) of power cord on back of washer. See “Electrical Requirements.”
- Hot and cold water faucets located within 4 ft (1.2 m) of hot and cold water fill valves on washer, and water pressure of 20-100 psi (138-690 kPa). A pressure reduction valve should be used in the supply line where inlet pressure entering the building exceeds 100 psi (690 kPa) to avoid damage to the washer mixing valve.
- Single washer installations require 12" (300 mm) minimum risers to provide an air cushion and avoid noise and damage to valves.
- A level floor with maximum slope of 1" (25 mm) under entire washer. Installing on carpet is not recommended.
- Floor must support washer’s total weight (with water and load) of 315 lbs (143 kg).

INSTALLATION INSTRUCTIONS

⚠ WARNING

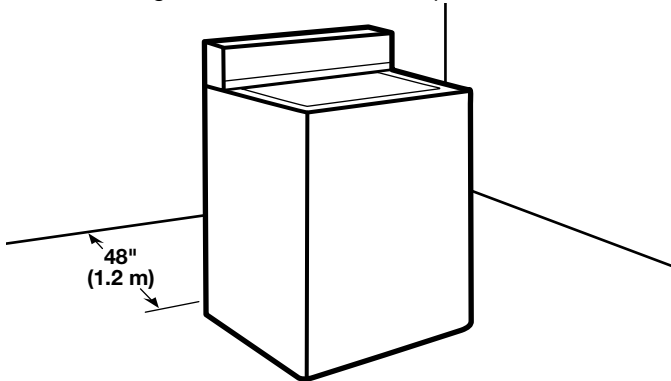
Excessive Weight Hazard

Use two or more people to move and install washer.
Failure to do so can result in back or other injury.

It is necessary to remove all shipping materials for proper operation and to avoid excessive noise from washer.

1. Move washer to within 4 ft (1.2 m) of its final location; it must be in a fully upright position.

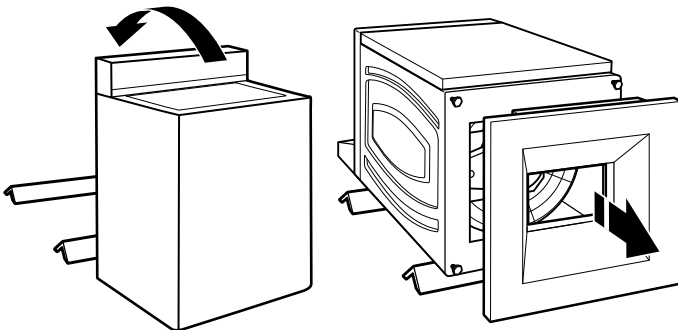
NOTE: To avoid floor damage, set washer onto cardboard before moving it and make sure lid is taped shut.



2. To avoid damaging floor, place cardboard supports from shipping carton on floor behind washer. Tip washer back and place on cardboard supports. Remove shipping base. Set washer upright.

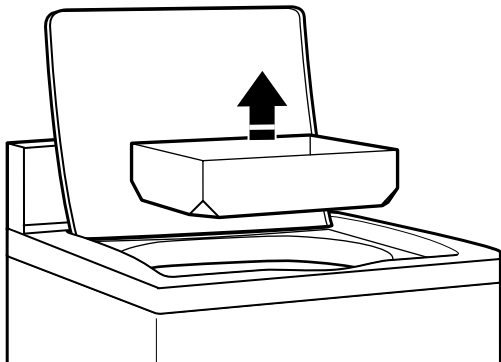
IMPORTANT: Removing shipping base is necessary for proper operation.

NOTE: Keep shipping base in case you need to move washer later.



3. Remove tape from washer lid, open lid, and remove cardboard packing tray from tub. Be sure to remove all parts from tray.

NOTE: Keep tray in case you need to move washer later.



LEVEL WASHER

IMPORTANT: Level washer properly to reduce excess noise and vibration.

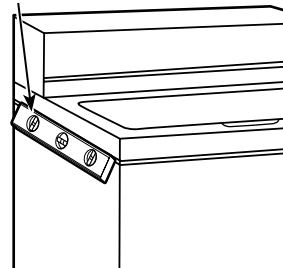
⚠ WARNING

Excessive Weight Hazard

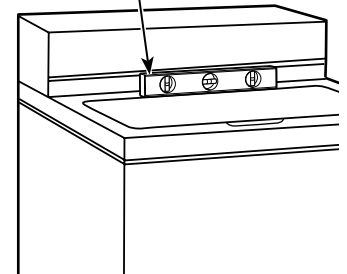
Use two or more people to move and install washer/dryer.
Failure to do so can result in back or other injury.

1. Move the washer to its final location. Place a level on top edges of washer. Use side seam as a guide to check levelness of sides. Check levelness of front using lid, as shown. Rock washer back and forth to make sure all four feet make solid contact with floor.

Place level here



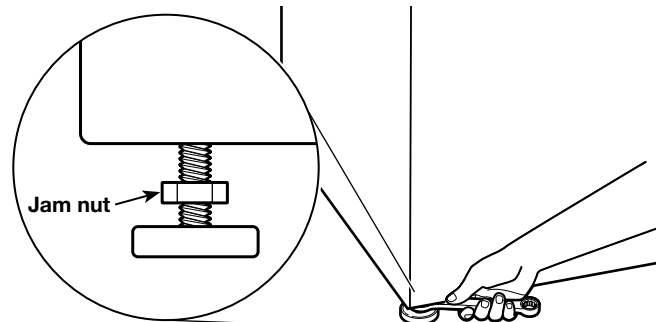
Place level here



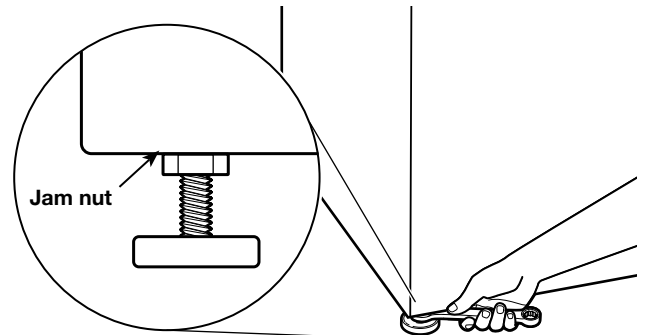
2. Use a 9/16" or 14 mm open-end or adjustable wrench to turn jam nuts clockwise on feet until they are about 1/2" (13 mm) from the washer cabinet. Then turn the leveling foot clockwise to lower the washer or counterclockwise to raise the washer.

Recheck level of washer and repeat as needed.

HELPFUL TIP: You may want to prop up front of washer about 4" (102 mm) with a wood block or similar object that will support weight of washer.



3. When washer is level, use a 9/16" or 14 mm open-end or adjustable wrench to turn jam nuts counterclockwise on leveling feet tightly against washer cabinet.

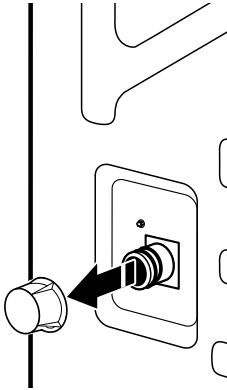


CONNECT DRAIN HOSE

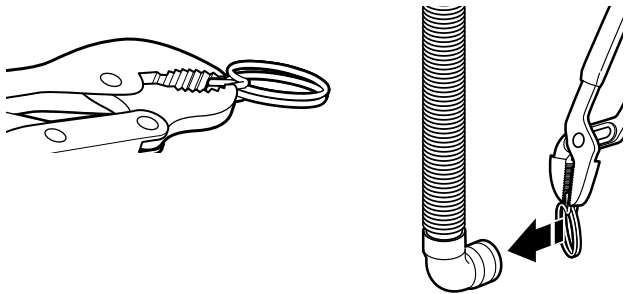
Proper routing of the drain hose avoids damage to your floor due to water leakage.

Remove drain hose from the washer drum

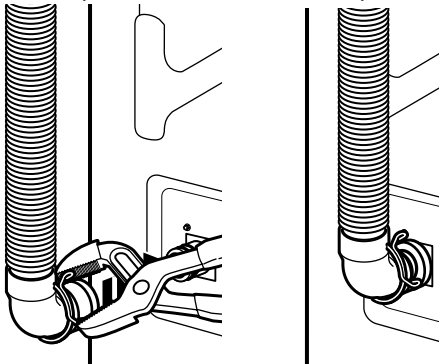
1. Remove cap from the washer drain port on the back of the washer.



2. If clamp is not already in place on elbow end of drain hose, slide it over end as shown.



3. Squeeze clamp with pliers and slide elbow end of drain hose onto washer drain port and secure with clamp.



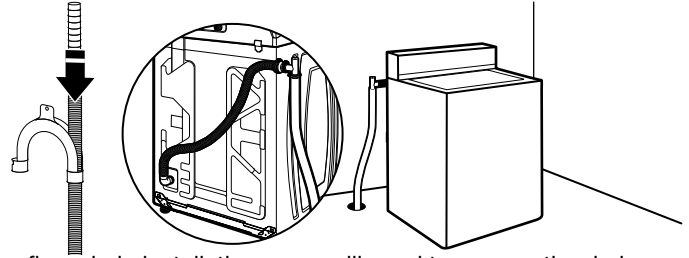
IMPORTANT:

- Drain hose is not to exceed 8" (203 mm) into drain pipe; do not force excess hose into standpipe or lay on bottom of laundry tub. Drain hose form must be used.
- It is the responsibility of the installer to install and secure the drain hose into the provided plumbing/drain in a manner that will avoid the drain hose coming out of, or leaking from, the plumbing/drain.

DRAIN SYSTEM

4. Drain system can be installed using a floor drain, wall standpipe, floor standpipe, or laundry tub. Select method you need.

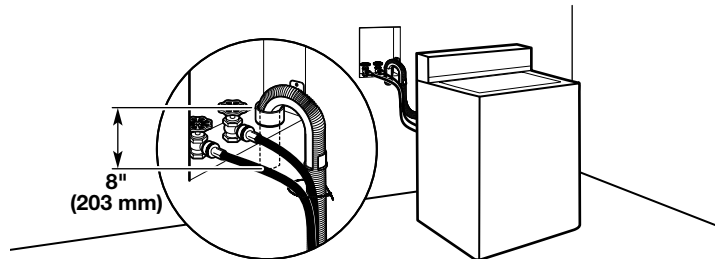
4a. Floor drain system.



For floor drain installations, you will need to remove the drain hose U-form on end of drain hose.

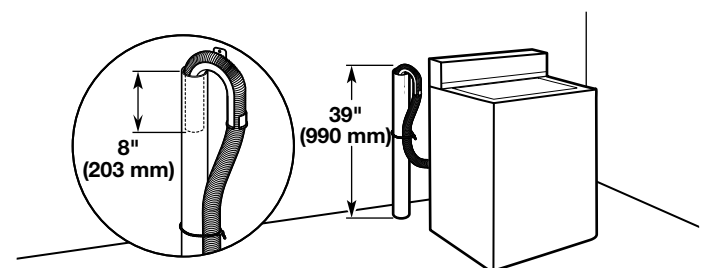
Floor drain system requires a Siphon Break Kit (Part Number 285320). Minimum siphon break: 28" (710 mm) from bottom of washer. Additional hoses may be needed.

4b. Wall standpipe drain system.



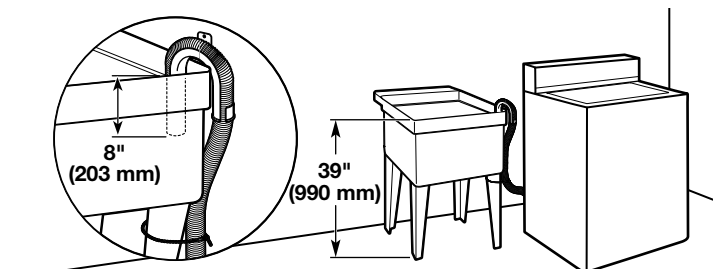
See requirements for floor standpipe drain system.

4c. Floor standpipe drain system.



Minimum diameter for a standpipe drain: 2" (51 mm). Minimum carry-away capacity: 10 gallons (38 L) per minute. Top of standpipe must be at least 39" (990 mm) high; install no higher than 96" (2.44 m) from bottom of washer.

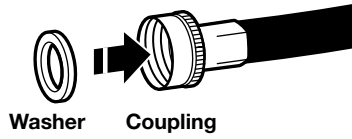
4d. Laundry tub drain system.



Minimum capacity: 20 gallons (76 L). The top of the laundry tub must be at least 39" (990 mm) above floor.

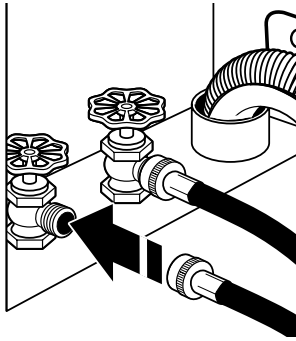
CONNECT INLET HOSES

Insert new hose washers (supplied) into each end of the inlet hoses. Firmly seat the washers in the couplings.

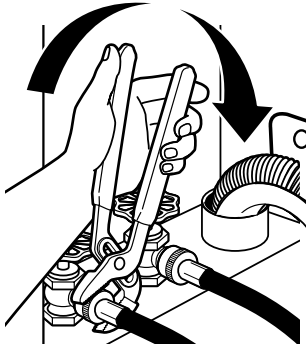


Connect Inlet Hoses to Water Faucets

1. Attach hose to hot water faucet. Screw on coupling until it is seated on washer. Repeat process for cold water.

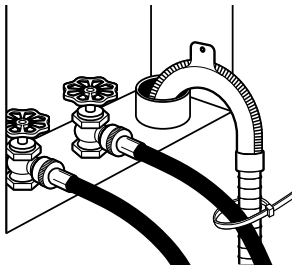


2. Use pliers to tighten the couplings an additional two-thirds turn.



IMPORTANT: Do not overtighten or use tape or sealants on valve when attaching to faucets or washer. Damage can result.

3. Secure drain hose to inlet hose with zip strap.



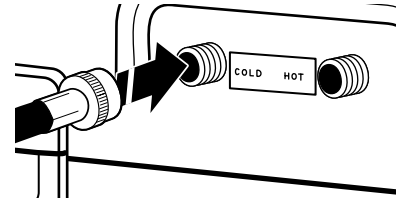
Clear Water Lines

- Run water through both faucets and inlet hoses, into a laundry tub, drainpipe, or bucket to get rid of particles in the water lines that might clog the inlet valve screens.
- Check the temperature of the water to make sure that the hot water hose is connected to the hot water faucet and that the cold water hose is connected to the cold water faucet.

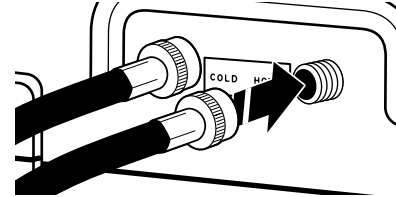


Connect Inlet Hoses to Washer

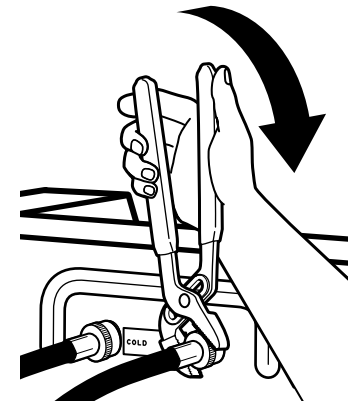
1. Attach cold water hose to cold water inlet valve marked with a blue ring. Screw coupling by hand until it is snug.



2. Attach hot water hose to hot water inlet valve marked with a red ring. Screw coupling by hand until it is snug.

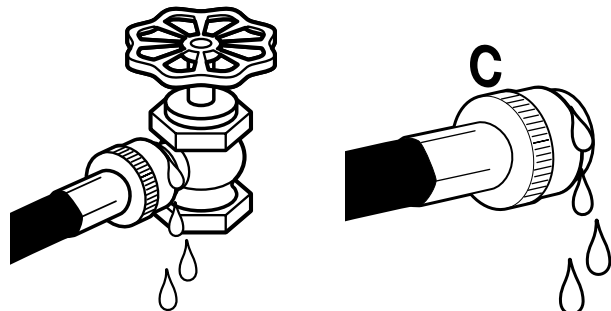


3. Use pliers to tighten couplings an additional two-thirds turn.



NOTE: Do not overtighten. Damage to the valve can result.

4. Turn on water faucets to check for leaks. A small amount of water may enter washer. It will drain later.



NOTE: Replace inlet hoses after 5 years of use to reduce the risk of hose failure. Record hose installation or replacement dates on the hoses for future reference.

Periodically inspect and replace hoses if bulges, kinks, cuts, wear, or leaks are found.

ELECTRICAL REQUIREMENTS

⚠ WARNING



Electrical Shock Hazard

Plug into a grounded 3 prong outlet.

Do not remove ground prong.

Do not use an adapter.

Do not use an extension cord.

Failure to follow these instructions can result in death, fire, or electrical shock.

- A 120 V, 60 Hz AC only, 15 A, fused electrical supply is required. A time-delay fuse or circuit breaker is recommended. It is recommended that a separate circuit breaker serving only this appliance be provided.
- This washer is equipped with a power supply cord having a 3 prong grounding plug.
- To minimize possible shock hazard, the cord must be plugged into a mating, 3 prong, grounding-type outlet, grounded in accordance with local codes and ordinances. If a mating outlet is not available, it is the personal responsibility and obligation of the customer to have the properly grounded outlet installed by a qualified electrician.
- If codes permit and a separate ground wire is used, it is recommended that a qualified electrician determine that the ground path is adequate.
- Do not ground to a gas pipe.
- Check with a qualified electrician if you are not sure the washer is properly grounded.
- Do not have a fuse in the neutral or ground circuit.

GROUNDING INSTRUCTIONS

For a grounded, cord-connected washer:

This washer must be grounded. In the event of a malfunction or breakdown, grounding will reduce the risk of electrical shock by providing a path of least resistance for electric current. This washer is equipped with a cord having an equipment-grounding conductor and a grounding plug. The plug must be plugged into an appropriate outlet that is properly installed and grounded in accordance with all local codes and ordinances.

WARNING: Improper connection of the equipment-grounding conductor can result in a risk of electric shock. Check with a qualified electrician or serviceman if you are in doubt as to whether the appliance is properly grounded.

Do not modify the plug provided with the appliance – if it will not fit the outlet, have a proper outlet installed by a qualified electrician.

For a permanently connected washer:

This washer must be connected to a grounded metal, permanent wiring system, or an equipment grounding conductor must be run with the circuit conductors and connected to the equipment-grounding terminal or lead on the appliance.

COMPLETE INSTALLATION

⚠ WARNING



Electrical Shock Hazard

Plug into a grounded 3 prong outlet.

Do not remove ground prong.

Do not use an adapter.

Do not use an extension cord.

Failure to follow these instructions can result in death, fire, or electrical shock.

- Check electrical requirements. Be sure that you have the correct electrical supply and the recommended grounding method.
- Check that all parts are now installed. If there is an extra part, go back through steps to see what was skipped.
- Check that you have all of your tools.
- Check that shipping materials were completely removed from washer.
- Dispose of/recycle all packaging materials.
- Check that the water faucets are on.
- Check for leaks around faucets and inlet hoses.
- Remove film from console and any tape remaining on washer.
- Plug into a grounded outlet or connect power.
- Check that circuit breaker is not tripped or fuse is not blown.
- Start washer using the payment system (if available) to check that the wash cycle completes without an error code or water leak.

TYPICAL FULL LOAD SIZES


Load Type	Loading Suggestion
Mixed Load	3 double sheets 4 pillowcases 6 pair shorts 8 T-shirts 2 shirts 2 blouses 8 handkerchiefs
Permanent Press	2 double or 1 king size sheet 1 tablecloth 1 dress 1 blouse 2 slacks 3 shirts 2 pillowcases
Heavy Work Clothes	3 pair pants 3 shirts 1 coverall 4 pair jeans 1 overall
Knits	3 blouses 4 slacks 6 shirts 4 tops 4 dresses

Normal cycle is recommended for washing normally soiled cotton or linen clothes. These clothes washer's government energy certifications were based on the Normal Eco cycle with Auto Spin, Auto Soil Level and all Wash Temperature selections offered in the cycle. It was tested as an Adaptive Automatic Water Fill Control System clothes washer. The settings as shipped are Normal cycle, Warm Wash Temp and Auto Water Level and Spin Speed.

WASHER MAINTENANCE

Operating Tips

⚠ WARNING



Fire Hazard

Never place items in the washer that are dampened with gasoline or other flammable fluids.

No washer can completely remove oil.

Do not dry anything that has ever had any type of oil on it (including cooking oils).

Doing so can result in death, explosion, or fire.

It is recommended that fiberglass items not be washed in coin-operated washers. If these items are washed in the washer, run the washer through a complete cycle to rinse any residue away that might be left in the washer.

Transporting Your Washer

- Shut off both water faucets. Disconnect and drain water inlet hoses.
- Disconnect drain hose from drain system and drain any remaining water into a pan or bucket. Disconnect drain hose from back of washer.
- Unplug power cord.
- Place inlet hoses and drain hose inside washer basket.
- Drape power cord over edge and into washer basket.
- Place packing tray from original shipping materials back inside washer and reuse shipping base to support the motor and tub. If you do not have original packaging, place heavy blankets or towels above basket, between the washer top and the tub ring. Close lid and place tape over lid and down the front of the washer. Keep lid taped until washer is moved to new location.

IF YOU NEED ASSISTANCE

Contact your authorized Commercial Laundry distributor. To locate your authorized Commercial Laundry distributor, or for web inquiries, visit www.whirlpoolcommerciallaundry.com.

If you cannot locate your distributor, the Commercial Laundry Support Center will answer any questions about operating or maintaining your washer not covered in the Installation Instructions.

Just dial **1-866-698-2538** — the call is toll-free.

When you call, you will need the washer model number and serial number. Both numbers can be found on the serial-rating plate located on the washer.

ALTERNATE PARTS & ACCESSORIES

Your installation may require additional parts. If you are interested in purchasing one of the items listed here, call the toll-free number in the "If You Need Assistance" section.

If You Have:	You Will Need:
Overhead sewer	Standard 20 gallons (76 L) 39" (990 mm) tall drain tub or utility sink, sump pump and connectors (available from local plumbing suppliers)
1" (25 mm) standpipe	2" (51 mm) diameter to 1" (25 mm) diameter Standpipe Adapter, Part Number 3363920 Connector Kit, Part Number 285835
Lint clogged drain	Drain Protector, Part Number 367031 Connector Kit, Part Number 285835
Floor drain system	Siphon break, Part Number 285320 Connector Kit (x2), Part Number 285835. Extension Drain Hose, Part Number 285863
Drain beyond reach of drain hose	4 ft (1.2 m) Drain Hose Extension, Part Number DRNEXT4
Water faucets beyond reach of fill hoses	2 longer water fill hoses: 6 ft (1.8 m) 90° bend hose, Part Number 76314, 10 ft (3.0 m) Part Number 8212656RP
Accessories	
	Washer Drip Trays, Part Number 8212526
	Fabric Softener Dispenser Kit, Part Number 63594

Whirlpool Corporation, Benton Harbor, Michigan 49022, U.S.A.

ELECTRONIC CONTROLS SET-UP INSTRUCTIONS

Basic Operation of Commercial Washer

- For additional information, see www.whirlpoolcommerciallaundry.com.

⚠ WARNING



Electrical Shock Hazard

- **Disconnect power before servicing.**
- **Replace all parts and panels before operating.**
- **Failure to do so can result in death or electrical shock.**

IMPORTANT

Electrostatic Discharge (ESD) Sensitive Electronics

ESD problems are present everywhere. ESD may damage or weaken the electronic control assembly. The new control assembly may appear to work well after repair is finished, but failure may occur at a later date due to ESD stress.

- Use an anti-static wrist strap. Connect wrist strap to green ground connection point or unpainted metal in the washer.
-OR-
Touch your finger repeatedly to a green ground connection point or unpainted metal in the washer.
- Before removing the part from its package, touch the anti-static bag to a green ground connection point or unpainted metal in the washer.
- Avoid touching electronic parts or terminal contacts; handle electronic control assembly by edges only.
- When repackaging failed electronic control assembly in anti-static bag, observe above instructions.

GENERAL INFORMATION

Blank Display

Check power to machine. Enter Service Mode and check for Fault Code.

'0 Minutes' showing in display

This indicates the previous cycle is complete or a machine reset was performed. Opening the lid will restore the display to the Vend Price or Available state.

Factory Default Settings

Washer is programmed at the factory as follows:

- **HEAVY DUTY** = Hot Water Main Wash - Deep Rinse - Heavy Soil Option Enabled - Extra Rinse Option Enabled - COIN model pricing set to \$2.25.
- **MIXED** = Warm Water Main Wash - Deep Rinse - No Options Enabled - COIN model pricing set to \$1.75.
- **DELICATES** = Cold Water Main Wash - Deep Rinse - No Options Enabled - COIN model pricing set to \$1.75.
- **NORMAL ECO** = Warm Water Main Wash - Progressive Spray Rinse - No Options Enabled - COIN model pricing set to \$1.75.

Refer to Cycle Settings in Program Menu to change default settings.

Warm Start (after power failure)

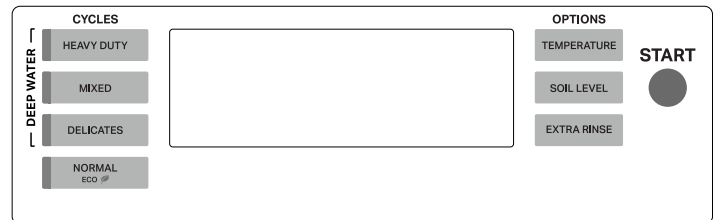
After a delay of up to 8 seconds, the washer is restored to the portion of the cycle that existed at time of the power failure. To continue the cycle, press START.

Free Cycles

This is established by setting the cycle price to zero. When this happens, 'SELECT CYCLE' will appear and cycle price will show 0.00.

Display

After the washer has been installed and plugged in, the display will show 'SYnC' for a few seconds, then '0 MINUTES'. Once the washer has been plugged in and the washer door opened and closed, the display will show the price. In washers set for free cycles, the display will flash 'SELECT CYCLE', and will display 'PRICE 0.00'.



Control Set-Up Procedures

IMPORTANT: Read all instructions before operating.

The lower fabric setting keypads and the digital display are used to set up the controls. The display can contain four numbers and/or letters and a decimal point. These are used to indicate the set-up codes and related code values available for use in programming the washer.

How to use the keypads to program the controls

1. The HEAVY DUTY keypad is used to adjust the values associated with set-up codes. Pressing the keypad will increment the value.
Rapid adjustment is possible by holding the keypad down.
2. The MIXED keypad will advance you through the set-up codes. Pressing the keypad will advance you to the next available set-up code. Holding the keypad down will automatically advance through the set-up codes at a rate of one (1) per second.
3. The DELICATES keypad is used to select or deselect options.
4. The TEMPERATURE keypad is used to decrease set-up code value.

Start Operating Set-Up

- **COIN Models:** Insert access door key, turn, and lift to remove access door.

The washer is now in the set-up mode.

Before proceeding, it is worth noting that, despite all of the options available, an owner can simply choose to uncrate a new commercial washer, hook it up, plug it in, and have a unit that operates.

Set-Up Codes

The set-up code is indicated by the one or two left-hand characters. The set-up code value is indicated by the two or three right-hand characters.

NOTE: Set-up codes marked with * are able to transfer from one machine to another machine (must be same model type) via USB stick.

CODE	EXPLANATION
6.07 MIXED	Amount to Start for MIXED Cycle*. Represents the number of Coins or Debit pulses required to start the cycle. See Value of Coin 1. Adjustable from 0 to 200.
→ Press the MIXED keypad once to advance to next code.	
6.07 DELICATES	Amount to Start for DELICATES Cycle*. Represents the number of Coins or Debit pulses required to start the base cycle. See Value of Coin 1. Adjustable from 0 to 200.
→ Press the MIXED keypad once to advance to next code.	
6.09 HEAVY DUTY	Amount to Start for HEAVY DUTY Cycle*. Represents the number of Coins or Debit pulses required to start the cycle. See Value of Coin 1. Adjustable from 0 to 200.
→ Press the MIXED keypad once to advance to next code.	
6.07 NORMAL ECO	Amount to Start for NORMAL ECO Cycle*. Represents the number of Coins or Debit pulses required to start the base cycle. See Value of Coin 1. Adjustable from 0 to 200.
→ Press the MIXED keypad once to advance to next code.	
2.00	SCREEN TO ENTER HELP MODE SUB-MENU
2.00	Enter into sub-menu by pressing the HEAVY DUTY keypad. Exit the sub-menu by pressing the HEAVY DUTY keypad.
→ Press the MIXED keypad once to advance to next code.	

CONTROLS SET-UP THROUGH USB

To access the USB setup menu, navigate to set-up code 2.xx. Pressing HEAVY DUTY keypad activates the help mode sub-menu. The first sub-mode within the help mode is USB option. Press HEAVY DUTY keypad at any time to exit help mode.

SUBMODE	DESCRIPTION	NOTE
USB	While on this screen, press the HEAVY DUTY button to enter into USB menu. USB menu allows for software update and import/export machine settings.	Allows user to enter USB menu. See USB MENU section for more information.

USB MENU

While on the USB screen press the HEAVY DUTY key. To advance through the USB sub menu, use the MIXED key. The DELICATES key is the Select key. Press the HEAVY DUTY keypad at any time to exit USB Menu.

See Page 12 for location of the USB Port on the appliance and instructions for how to install a USB Stick onto the appliance and to remove a USB stick from the appliance.

CODE	EXPLANATION
U0.00	USB drive Inserted? (Status only).
U0.00	This will be displayed if USB drive is NOT detected.
U0.01	This will be displayed if USB drive is detected.
→ Press the MIXED key once to advance to next code.	
U1.00	Programming Mode
U1.00	This will be displayed if USB drive not detected.
U1.01	This will be displayed if USB drive is detected. If you wish to reprogram the controls Press the DELICATES keypad 3 times. Display will toggle between U1.01 and ProG while updating ACU or U1.01 and --.-- while updating UI is in process. Please wait until process is complete, this could take several minutes. After software is successfully downloaded to machine, the control could take several minutes to reset. After reset is complete the machine will return to customer mode or service mode depending on Service Switch status.
FCE4 or FCE5	If the software programming was unsuccessful the display will toggle between U1.01 and FCE4 or FCE5.

CODE	EXPLANATION
→ Press the MIXED key once to advance to next code.	
U2.00	Export Machine Settings to USB Drive.
U2.00	This will be displayed if USB drive is not detected.
U2.01	This will be displayed if USB drive is detected. If you wish to export machine settings to USB drive press the DELICATES key 3 times. Display will toggle between U2.01 and --.-- while export in process.
donE	Display will toggle between U2 and donE when export finished successfully.
FCE4 or FCE5	If the export was unsuccessful the display will toggle between U2.01 and FCE4 or FCE5.
→ Press the MIXED key once to advance to next code.	
U3.00	Import Machine Settings from USB Drive.
U3.00	Import Machine Settings from USB Drive.
U3.01	This will be displayed if USB drive is detected. If you wish to import machine settings from USB drive to machine press the DELICATES key 3 times. Display will toggle between U3.01 and --.-- while import in process.
donE	Display will toggle between U3 and donE when import finished successfully.
FCE4 or FCE5	If the import was unsuccessful the display will toggle between U3.01 and FCE4 or FCE5.
→ Press the MIXED key once to loop to beginning of this menu.	
U4.00	Export Machine Audit Data to USB Drive.
U4.00	This will be displayed if USB drive is not detected
U4.01	This will be displayed if USB drive is detected. If you wish to export machine audit data to USB drive press the DELICATES key 3 times. Display will toggle between U4.01 and --.-- while export in process.
donE	Display will toggle between U4.01 and donE when export finished successfully.
FCE4 or FCE5	If the export was unsuccessful the display will toggle between U4.01 and FCE4 or FCE5

END OF SET-UP PROCEDURES

EXIT FROM SET-UP MODE

■ COIN Models: Reinstall access door.

NOTE: If a service cycle is in progress upon exiting service mode, the cycle will complete normally with cycle status information displayed. The display will resume normal customer operation mode when the cycle ends.

ACCESS TO USB PORT

Access to USB Port on Appliance if Using USB Stick to Change Electronic Controls Settings

⚠ WARNING



Electrical Shock Hazard

Disconnect power before servicing.

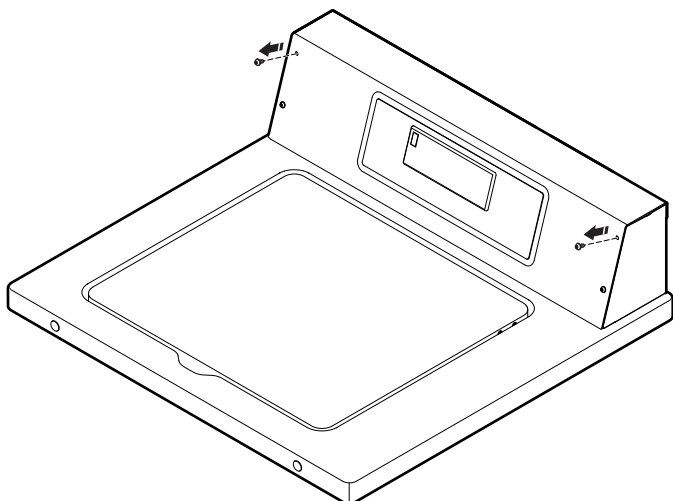
Replace all parts and panels before operating.

Failure to do so can result in death or electrical shock.

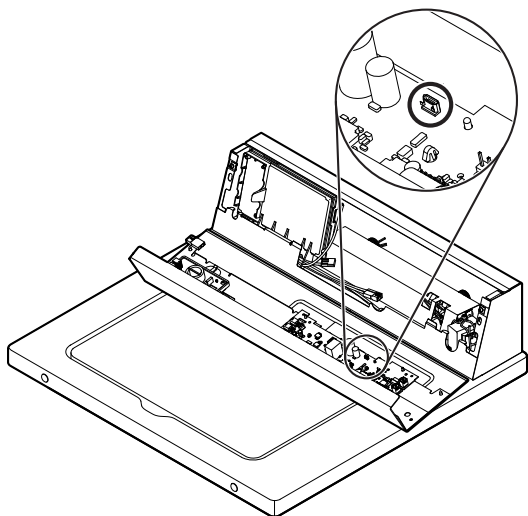
To Install or Remove a USB Stick

USB Port is located on the Display Control Board.

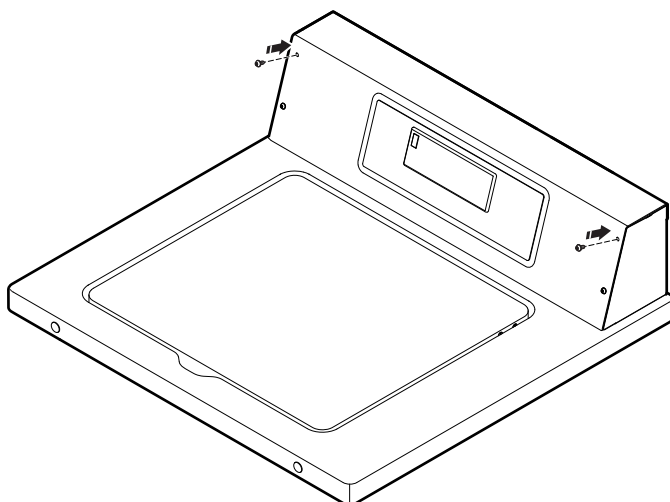
1. Remove the two screws to allow the Fascia Panel to be rotated outward from appliance.



2. Lay fascia panel face down on appliance top panel to provide access to User Interface Control Board.
3. Install the USB Stick into USB Port or remove USB Stick from USB Port.



4. Replace fascia panel onto appliance with the two screws previously removed.



⚠ WARNING



Electrical Shock Hazard

Plug into a grounded 3 prong outlet.

Do not remove ground prong.

Do not use an adapter.

Do not use an extension cord.

Failure to follow these instructions can result in death, fire, or electrical shock.

5. Plug appliance into a grounded 3 prong outlet or reconnect power.

SÉCURITÉ DE LA LAVEUSE

Votre sécurité et celle des autres est très importante.

Nous donnons de nombreux messages de sécurité importants dans ce manuel et sur votre appareil ménager. Assurez-vous de toujours lire tous les messages de sécurité et de vous y conformer.



Voici le symbole d'alerte de sécurité.

Ce symbole d'alerte de sécurité vous signale les dangers potentiels de décès et de blessures graves à vous et à d'autres.

Tous les messages de sécurité suivront le symbole d'alerte de sécurité et le mot "DANGER" ou "AVERTISSEMENT". Ces mots signifient :

⚠ DANGER

Risque possible de décès ou de blessure grave si vous ne suivez pas immédiatement les instructions.

⚠ AVERTISSEMENT

Risque possible de décès ou de blessure grave si vous ne suivez pas les instructions.

Tous les messages de sécurité vous diront quel est le danger potentiel et vous disent comment réduire le risque de blessure et ce qui peut se produire en cas de non-respect des instructions.

IMPORTANTES INSTRUCTIONS DE SÉCURITÉ

AVERTISSEMENT : Pour réduire les risques d'incendie, de choc électrique ou de blessures lors de l'utilisation de la laveuse, suivre les précautions fondamentales dont les suivantes :

- Lire toutes les instructions avant d'utiliser la laveuse.
- Ne pas laver des articles qui ont été nettoyés ou lavés avec de l'essence ou imbibés d'essence, solvants de nettoyage à sec, ou autres substances inflammables ou explosives; ces substances peuvent émettre des vapeurs susceptibles de s'enflammer ou d'exploser.
- Ne pas ajouter d'essence, solvant de nettoyage à sec ou autre produit inflammable ou explosif dans l'eau de lavage. Ces substances peuvent émettre des vapeurs susceptibles de s'enflammer ou d'exploser.
- Dans certaines conditions, de l'hydrogène gazeux peut se former dans un circuit d'eau chaude qui n'a pas été utilisé pendant 2 semaines ou plus. **LE GAZ HYDROGÈNE EST EXPLOSIBLE.** Si le circuit d'eau chaude n'a pas été utilisé pendant une telle période, avant d'utiliser la laveuse, ouvrir tous les robinets d'eau chaude et laisser l'eau s'écouler pendant plusieurs minutes par chaque robinet. Ceci permettra l'évacuation de l'hydrogène gazeux accumulé. Comme ce gaz est inflammable, ne pas fumer ou utiliser une flamme nue au cours de cette période.
- Ne pas laisser des enfants jouer sur ou à l'intérieur de la laveuse. Bien surveiller les enfants lorsque la laveuse est utilisée à proximité d'enfants.
- Avant de mettre la laveuse au rebut ou hors de service, enlever la porte ou le couvercle.
- Ne pas tenter d'atteindre un article à l'intérieur de la cuve de la laveuse lorsque le tambour, la cuve ou l'agitateur est en mouvement.
- Ne pas installer ou remiser cette laveuse à un endroit où elle serait exposée aux intempéries.
- Ne pas modifier les organes de commande.
- Ne pas réparer ou remplacer un composant quelconque de la laveuse, ni entreprendre une opération de service, si ce n'est spécifiquement recommandé dans ce manuel ou dans un manuel d'instructions de réparations destiné à l'utilisateur; il est alors essentiel que la personne concernée comprenne ces instructions et soit compétente pour les exécuter.
- Voir la section « Spécifications électriques » des instructions d'installation pour les instructions de mise à la terre.
- **AVERTISSEMENT :** Ne pas laver de vêtements résistants à l'eau ou de type hydrofuge. Le non-respect de ces instructions peut entraîner une vibration anormale et un déséquilibre pouvant entraîner des blessures, des dommages matériels voire des dommages à l'appareil.

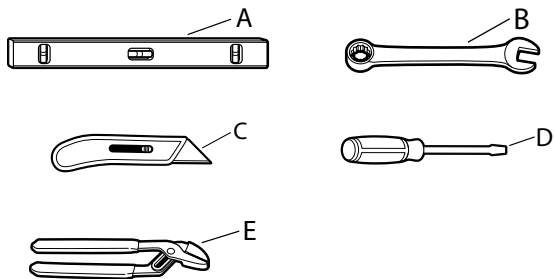
CONSERVEZ CES INSTRUCTIONS

POUR VOTRE SÉCURITÉ

Ne pas remiser ou utiliser de l'essence ou tout autre liquide ou vapeur inflammable à proximité de cet appareil ou de tout autre appareil.

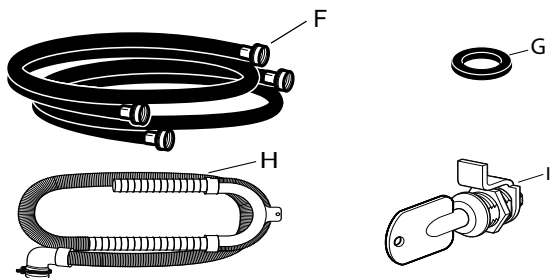
OUTILS ET PIÈCES

Outils requis :



- A. Niveau
- B. Clé plate de 9/16 po
- C. Couteau tout usage
- A. Tournevis à tête plate
- E. Pince

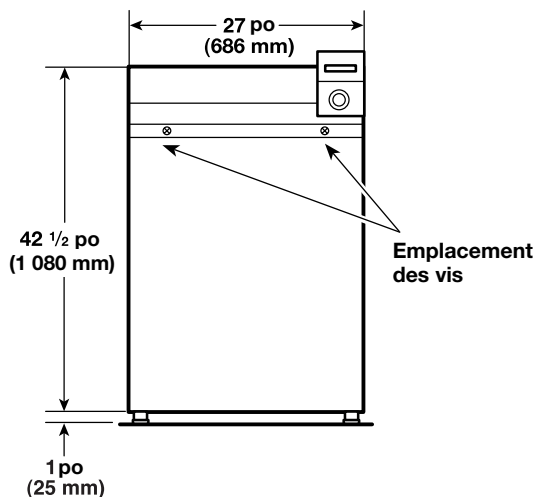
Pièces fournies :



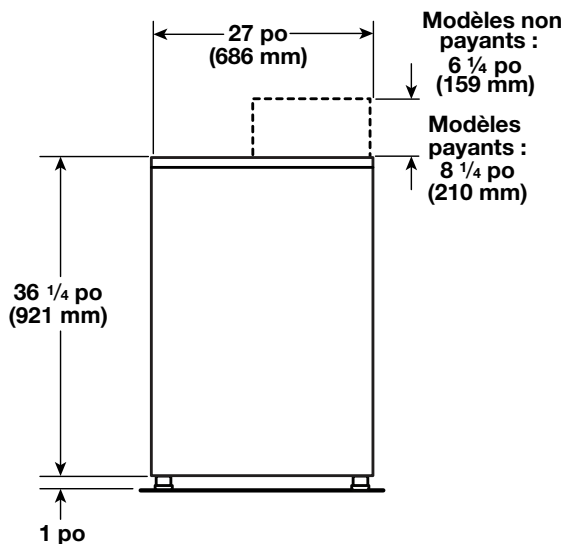
- F. Tuyaux d'arrivée d'eau (2)
- G. Rondelle pour tuyau d'alimentation (4)
- H. Tuyau d'évacuation avec bride, forme en U et serre-câbles
- I. Ensemble de loquet de porte de service

DIMENSIONS

Vue de face

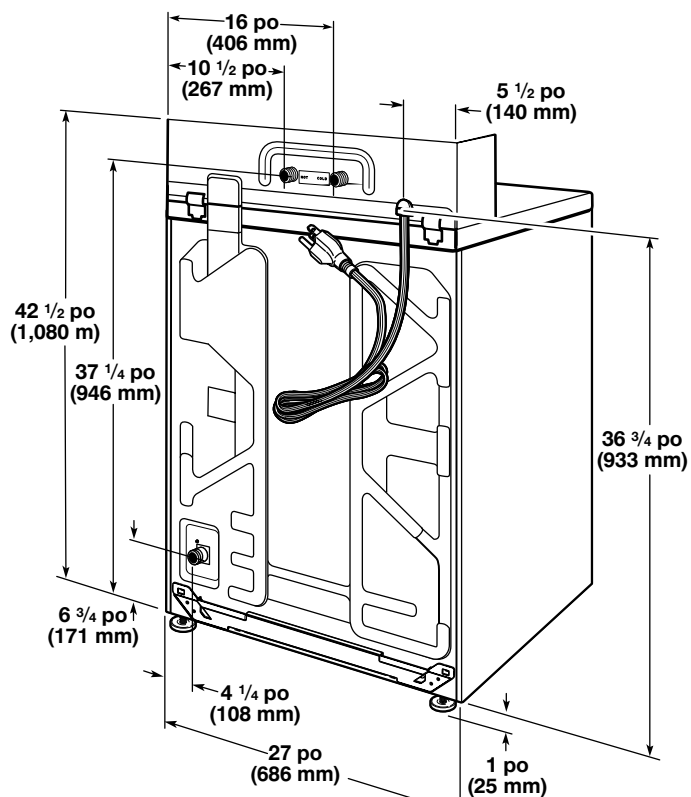


Vue latérale

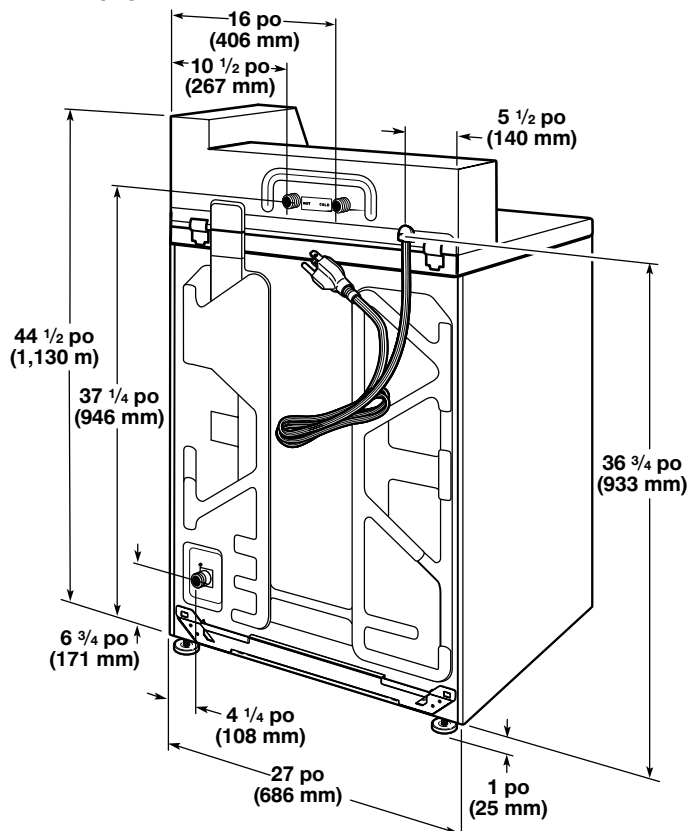


Vue arrière

Modèles non payants



Modèles payants



EXIGENCES D'EMPLACEMENT

Le choix d'un emplacement approprié pour la laveuse améliore le rendement et réduit au minimum le bruit et le « déplacement » de la laveuse.

La laveuse peut être installée dans un sous-sol, une buanderie ou un encastrement. Voir la section « Système de vidange ».

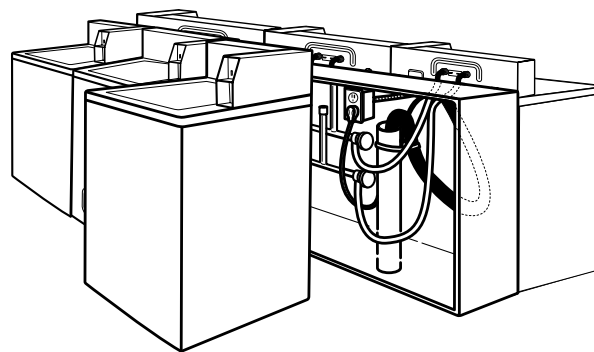
Il faut aussi prendre en compte les exigences d'emplacement des appareils voisins.

IMPORTANT : Ne pas installer ou entreposer la laveuse dans un endroit où elle serait exposée aux intempéries. Ne pas remiser ou faire fonctionner la laveuse à des températures égales ou inférieures à 32 °F (0 °C). Une quantité d'eau peut demeurer dans la laveuse et causer des dommages à des températures basses. C'est à l'utilisateur qu'incombe la responsabilité de réaliser une installation correcte.

Il vous faudra :

- Un chauffe-eau réglé à 120 °F (49 °C).
- Une prise électrique reliée à la terre et située à moins de 4 pi (1,2 m) du cordon d'alimentation à l'arrière de la laveuse. Consulter les « Spécifications électriques ».
- Des robinets d'eau chaude et d'eau froide situés à moins de 4 pi (1,2 m) des électrovannes de remplissage d'eau chaude et d'eau froide sur la laveuse, et une pression d'eau de 20-100 psi (138-690 kPa). Une vanne de réduction de la pression doit être installée dans une conduite d'alimentation si la pression à l'entrée du bâtiment est supérieure à 100 psi (690 kPa) pour éviter d'endommager le robinet mélangeur de la laveuse.
- L'installation d'une seule laveuse nécessite une colonne montante d'au moins 12 po (300 mm) pour assurer un coussin d'air et éviter le bruit et les dégâts aux vannes.
- Un plancher de niveau avec une pente maximale de 1 po (25 mm) sous l'ensemble de la laveuse. L'installation sur de la moquette n'est pas recommandée.
- Un plancher capable de supporter le poids total de 315 lb (143 kg) de la laveuse (eau et charge compris).

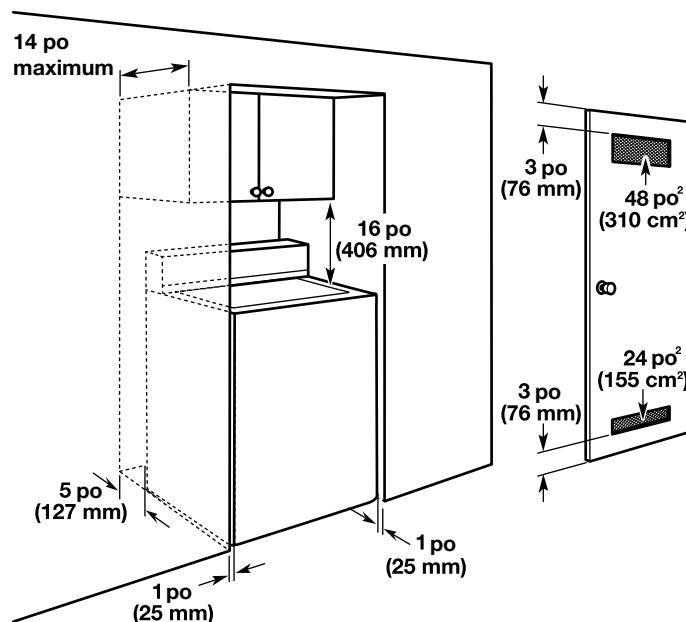
- Un égout au plancher sous le module de la cloison. Les coffrages préfabriqués équipés de prises électriques, tuyaux d'arrivée d'eau et conduites d'évacuation doivent être utilisés seulement là où les codes locaux l'autorisent.



Installation dans un encastrement ou un placard

Cette laveuse peut être installée dans un encastrement ou un placard. Les dimensions d'installation indiquées correspondent à l'espacement minimal permis. Prévoir davantage d'espace pour faciliter l'installation et l'entretien. Il faut aussi prendre en compte l'espace requis entre les appareils voisins.

Dégagement d'installation minimal



INSTRUCTIONS D'INSTALLATION

⚠ AVERTISSEMENT

Risque du poids excessif

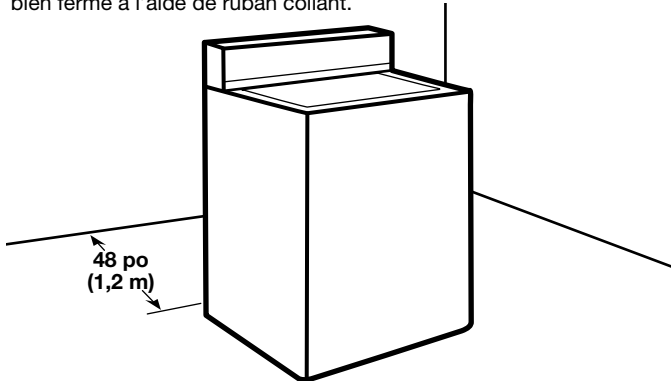
Utiliser deux ou plus de personnes pour déplacer et installer la laveuse.

Le non-respect de cette instruction peut causer une blessure au dos ou d'autre blessure.

Il est nécessaire de retirer tout le matériel d'expédition pour un fonctionnement correct et pour éviter que la laveuse ne fasse trop de bruit.

1. Déplacer la laveuse à moins de 4 pi (1,2 m) de son emplacement final; elle doit être en position complètement verticale.

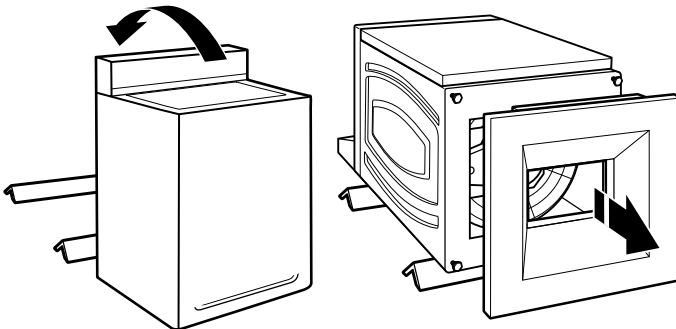
REMARQUE : Pour éviter d'endommager le plancher, placer la laveuse sur du carton avant de la déplacer et s'assurer que le couvercle est bien fermé à l'aide de ruban collant.



2. Afin d'éviter d'endommager le plancher, placer les supports en carton du carton d'expédition sur le plancher, derrière la laveuse. Incliner la laveuse vers l'arrière et la placer sur les supports en carton. Enlever la base d'expédition. Redresser la laveuse en position verticale.

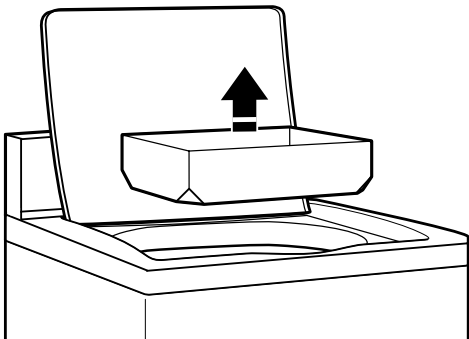
IMPORTANT : Le retrait de la base d'expédition est nécessaire au bon fonctionnement de l'appareil.

REMARQUE : Conserver la base d'expédition au cas où il faudrait déplacer la laveuse ultérieurement.



3. Retirer le ruban adhésif du couvercle de la laveuse, ouvrir le couvercle et retirer le carton plat d'emballage de la cuve. Veiller à retirer toutes les pièces d'emballage.

REMARQUE : Conserver le carton plat au cas où il faudrait déplacer la laveuse ultérieurement.



RÉGLAGE DE L'APLOMB DE LA LAVEUSE

IMPORTANT : Mettre la laveuse à niveau pour réduire le niveau sonore et les vibrations excessifs.

⚠ AVERTISSEMENT

Risque du poids excessif

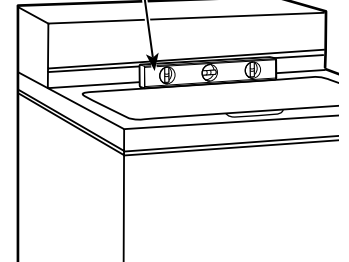
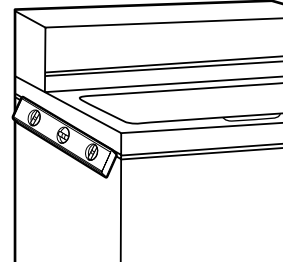
Utiliser deux ou plus de personnes pour déplacer et installer la laveuse.

Le non-respect de cette instruction peut causer une blessure au dos ou d'autre blessure.

1. Déplacer la laveuse à son emplacement final. Placer un niveau sur les bords supérieurs de la laveuse. Utiliser une rive latérale comme guide pour déterminer l'aplomb des côtés. Vérifier l'aplomb de l'avant à l'aide du couvercle, comme indiqué. Faire bouger la machine d'avant en arrière pour s'assurer que les quatre pieds sont bien en contact avec le plancher.

Placer le niveau à cet endroit

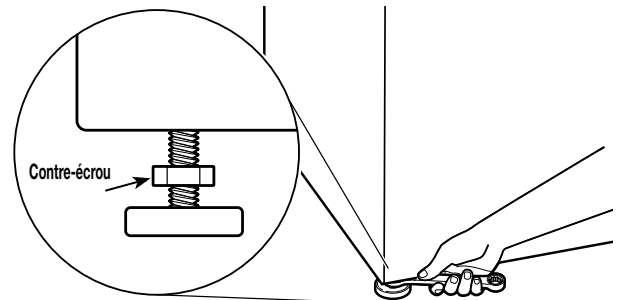
Placer le niveau à cet endroit



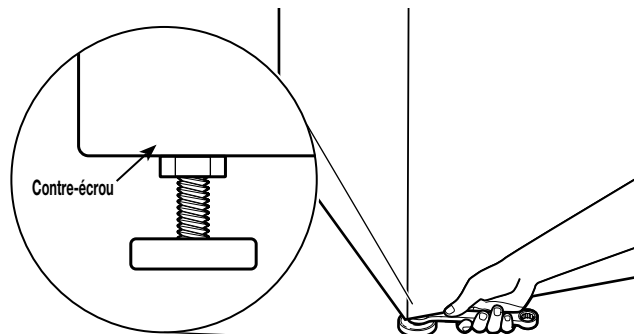
2. Utiliser une clé plate de 9/16 po (14 mm) ou une clé à molette pour tourner les contre-écrous dans le sens horaire sur les pieds jusqu'à ce qu'ils se trouvent à environ 1/2 po (13 mm) de la caisse de la laveuse. Tourner ensuite le pied de nivellement dans le sens horaire pour abaisser la laveuse ou antihoraire pour la soulever.

Contrôler à nouveau l'aplomb de la laveuse et répéter au besoin.

CONSEIL UTILE : Il serait judicieux de soulever l'avant de la laveuse d'environ 4 po (102 mm) à l'aide d'une cale en bois ou d'un objet similaire qui soutiendra le poids de la laveuse.



3. Lorsque la laveuse est d'aplomb, utiliser une clé plate ou une clé à molette de 9/16 po ou 14 mm pour tourner les contre-écrous dans le sens antihoraire sur les pieds de nivellement jusqu'à ce qu'ils soient bien serrés contre la caisse de la laveuse.

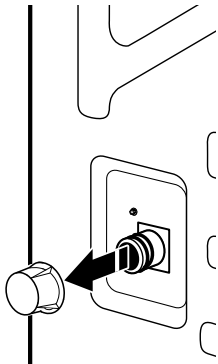


RACCORDEMENT DU TUYAU DE VIDANGE

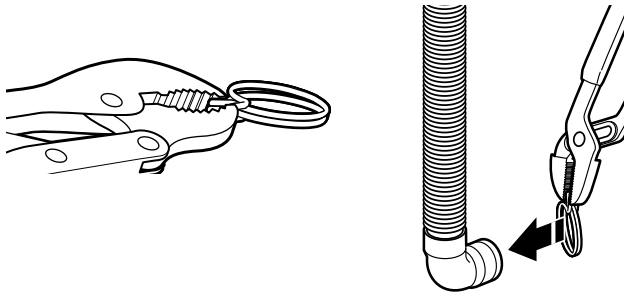
Le bon acheminement du tuyau de vidange évite d'endommager le sol à cause de fuites d'eau.

Retirer le tuyau de vidange du tambour de la laveuse

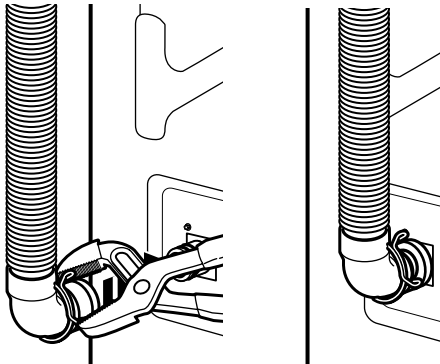
1. Retirer le capuchon de l'orifice de vidange de la laveuse situé à l'arrière de celle-ci.



2. Si la bride n'est pas déjà installée sur l'extrémité coudée du tuyau de vidange, la faire glisser sur l'extrémité comme indiqué.



3. Serrer la bride avec une pince et faire glisser l'extrémité coudée du tuyau de vidange sur l'orifice de vidange de la laveuse, puis fixer avec la bride.



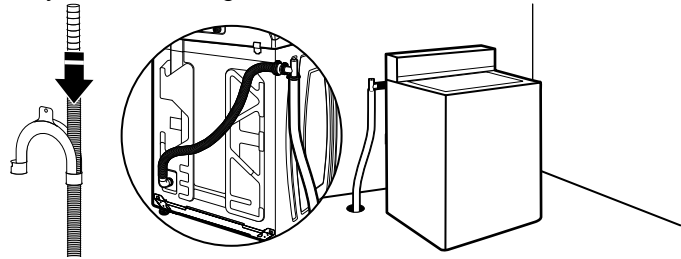
IMPORTANT :

- Le tuyau de vidange ne doit pas dépasser 8 po (203 mm) dans le tuyau d'évacuation; ne pas forcer l'excès de tuyau dans le tuyau de rejet à l'égout ou ne pas le poser au fond de la cuve à lessive. On doit utiliser la bride de retenue pour tuyau de vidange.
- Il incombe à l'installateur d'installer et de fixer solidement le tuyau de vidange à la canalisation d'évacuation de manière que le tuyau de vidange ne puisse sortir et causer d'éventuelles fuites de la canalisation d'évacuation.

SYSTÈME DE VIDANGE

4. Le système de vidange peut être installé à l'aide d'un conduit d'évacuation au plancher, un tuyau rigide de rejet à l'égout mural, un tuyau rigide de rejet à l'égout au plancher ou un évier de buanderie. Sélectionner la méthode à utiliser.

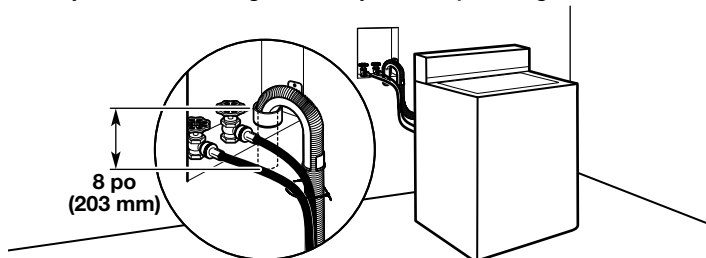
4a. Système de vidange au sol.



Pour les installations avec vidange au plancher, il faut retirer la bride de retenue en U pour tuyau de vidange de l'extrémité du tuyau de vidange.

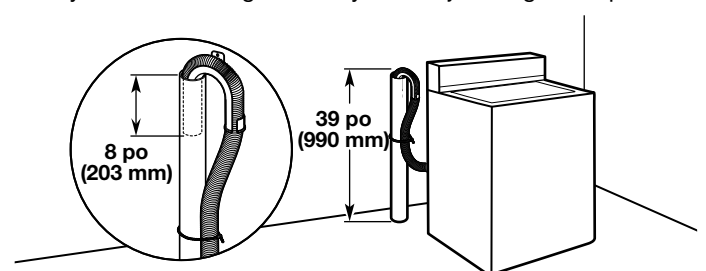
Le système d'évacuation au sol nécessite une trousse de brise-siphon (pièce n° 285320). Dimension minimale pour le brise-siphon : 28 po (710 mm) à partir du fond de la laveuse. Des tuyaux supplémentaires peuvent être requis.

4b. Système de vidange avec tuyau de rejet à l'égout mural.



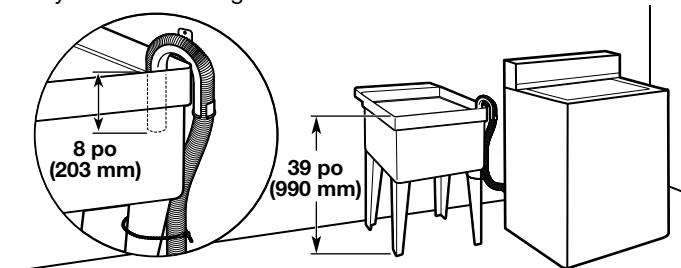
Voir les exigences pour le système de vidange avec tuyau de rejet à l'égout au plancher.

4c. Système de vidange avec tuyau de rejet à l'égout au plancher.



Diamètre minimum pour un tuyau de rejet à l'égout : 2 po (51 mm). Capacité minimale d'acheminement : 10 gallons (38 L) par minute. Le sommet du tuyau de rejet à l'égout doit avoir une hauteur d'au moins 39 po (990 mm); ne pas l'installer à plus de 96 po (2,44 m) du bas de la laveuse.

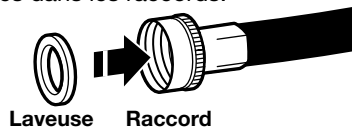
4d. Système de vidange dans un évier de buanderie.



Capacité minimale : 20 gallons (76 L). La partie supérieure de l'évier de buanderie doit être à au moins 39 po (990 mm) au-dessus du sol.

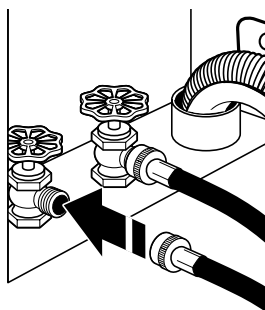
RACCORDEMENT DES TUYAUX DE VIDANGE

Insérer les rondelles de tuyau neuves (fournies) dans chaque extrémité des tuyaux d'arrivée d'eau. Insérer fermement les rondelles dans les raccords.

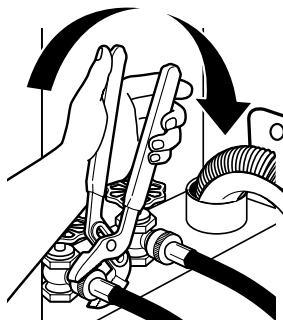


Raccorder les tuyaux d'arrivée d'eau aux robinets

1. Fixer le tuyau au robinet d'eau chaude. Visser le raccord à la main jusqu'à ce qu'il repose sur la rondelle. Répéter l'opération pour l'eau froide.

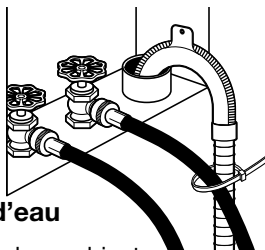


2. Serrer les raccords de deux tiers de tour supplémentaires à l'aide d'une pince.



IMPORTANT : Ne pas serrer excessivement ni utiliser de ruban adhésif ou de dispositifs d'étanchéité lors de la fixation des robinets ou de la machine. Cela pourrait entraîner des dommages.

3. Fixer le tuyau de vidange au tuyau d'entrée avec une attache mono-usage.



Purger les canalisations d'eau

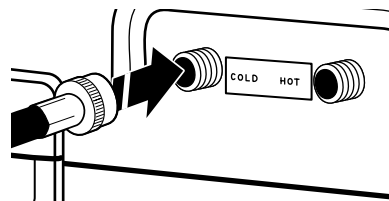
■ Laisser s'écouler l'eau des deux robinets et tuyaux d'arrivée d'eau dans un évier de buanderie un tuyau rigide de rejet à l'égout ou un seau pour éliminer les particules se trouvant dans les canalisations d'eau qui pourraient obstruer les tamis de la valve d'arrivée d'eau.

■ Vérifier la température de l'eau pour s'assurer que le tuyau d'eau chaude est connecté au robinet d'eau chaude et que le tuyau d'eau froide est connecté au robinet d'eau froide.

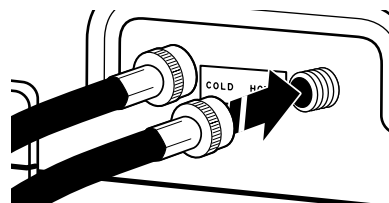


Connecter les tuyaux d'arrivée d'eau à la laveuse

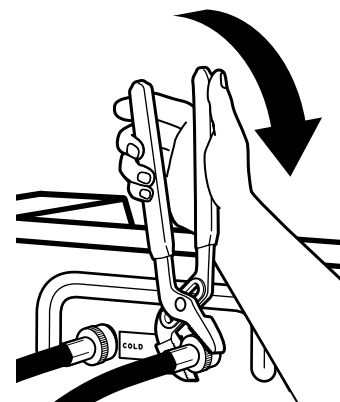
1. Fixer le tuyau d'eau froide au robinet d'arrivée d'eau froide cerclé de bleu. Visser le raccord à la main jusqu'à ce qu'il soit bien serré.



2. Fixer le tuyau d'eau chaude à la vanne marquée d'un anneau de valve rouge. Visser le raccord à la main jusqu'à ce qu'il soit bien serré.

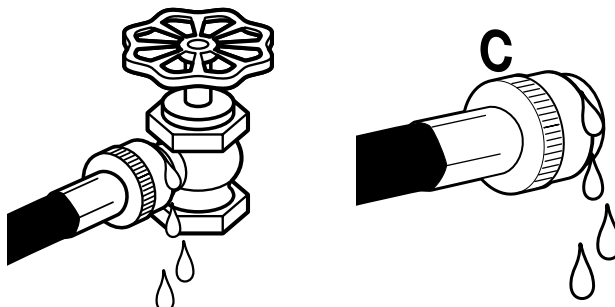


3. Serrer les raccords de deux tiers de tour supplémentaires à l'aide d'une pince.



REMARQUE : Ne pas serrer excessivement. Les robinets risquent d'être endommagés.

4. Ouvrir les robinets d'eau pour vérifier qu'il n'y a pas de fuites. Une petite quantité d'eau peut entrer dans la laveuse. Elle s'évacuera plus tard.



REMARQUE : Remplacer les tuyaux d'arrivée d'eau après 5 ans d'utilisation pour réduire le risque de défaillance intempestive. Inscrive la date d'installation ou de remplacement du tuyau sur celui-ci, pour référence ultérieure.

Inspecter périodiquement les tuyaux et les remplacer en cas de renflement, de déformation, de coupure, d'usure ou de fuite.

SPÉCIFICATIONS ÉLECTRIQUES

⚠ AVERTISSEMENT



Risque de choc électrique

Brancher sur une prise à 3 alvéoles reliée à la terre.

Ne pas enlever la broche de liaison à la terre.

Ne pas utiliser un adaptateur.

Ne pas utiliser un câble de rallonge.

Le non-respect de ces instructions peut causer un décès, un incendie ou un choc électrique.

- L'appareil doit être alimenté par une source de 120 V CA à 60 Hz seulement et protégé par fusible de 15 A. On recommande d'utiliser un fusible ou un disjoncteur temporisé. Il est recommandé de raccorder l'appareil sur un circuit distinct exclusif à cet appareil.
- Cette laveuse comporte un cordon d'alimentation électrique à trois broches pour liaison à la terre.
- Pour minimiser les risques de décharge électrique, on doit brancher le cordon sur une prise de courant de configuration correspondante, à 3 alvéoles, reliée à la terre et installée conformément aux codes et règlements locaux. Si une prise de courant de configuration correspondante n'est pas accessible, le client a la responsabilité et l'obligation de faire installer par un électricien qualifié une prise de courant correctement reliée à la terre.
- Si les codes le permettent et si on utilise un conducteur distinct de liaison à la terre, il est recommandé qu'un électricien qualifié vérifie la qualité de la liaison à la terre.
- Ne pas utiliser une tuyauterie de gaz pour le raccordement à la terre.
- En cas de doute quant à la qualité de la mise à la terre de la laveuse, consulter un électricien qualifié.
- Ne pas installer un fusible dans le conducteur neutre ou le circuit de mise à la terre.

INSTRUCTIONS DE LIAISON À LA TERRE

Pour une laveuse reliée à la terre et connectée par un cordon :

Cette laveuse doit être reliée à la terre. En cas d'anomalie de fonctionnement ou de panne, la liaison à la terre réduira le risque de choc électrique en offrant au courant électrique un itinéraire d'évacuation de moindre résistance. Cette laveuse est alimentée par un cordon électrique comportant un conducteur relié à la terre et une fiche de branchement munie d'une broche de liaison à la terre. La fiche doit être branchée sur une prise de courant appropriée qui est bien installée et reliée à la terre conformément à tous les codes et règlements locaux.

AVERTISSEMENT : Le raccordement incorrect de cet appareil au conducteur de liaison à la terre peut susciter un risque de choc électrique. En cas de doute quant à la qualité de la liaison à la terre de l'appareil, consulter un électricien ou technicien d'entretien qualifié.

Ne pas modifier la fiche de branchement fournie avec l'appareil – si la fiche ne correspond pas à la configuration de la prise de courant, demander à un électricien qualifié d'installer une prise de courant convenable.

Pour une laveuse raccordée en permanence :

Cette laveuse doit être raccordée à un système de câblage permanent en métal relié à la terre ou un conducteur relié à la terre doit être en fonction avec les conducteurs de circuit et raccordés à la borne de liaison à la terre ou la borne sur l'appareil ménager.

FIN DE L'INSTALLATION

⚠ AVERTISSEMENT



Risque de choc électrique

Brancher sur une prise à 3 alvéoles reliée à la terre.

Ne pas enlever la broche de liaison à la terre.

Ne pas utiliser un adaptateur.

Ne pas utiliser un câble de rallonge.

Le non-respect de ces instructions peut causer un décès, un incendie ou un choc électrique.

- Consulter les spécifications électriques. Vérifier que la tension électrique disponible est correcte et que la prise de courant est convenablement reliée à la terre.
- Vérifier que toutes les pièces sont maintenant installées. S'il reste une pièce, passer en revue les différentes étapes pour découvrir laquelle aurait été oubliée.
- Vérifier la présence de tous les outils.
- Vérifier que tout le matériel d'expédition a été retiré de la laveuse.
- Éliminer/recycler tous les matériaux d'emballage.
- Vérifier que les robinets d'eau sont ouverts.
- Vérifier qu'il n'y a pas de fuite autour des robinets et des tuyaux d'arrivée d'eau.
- Ôter la pellicule de la console et tout ruban adhésif resté sur la laveuse.
- Brancher sur une prise reliée à la terre ou connecter la source de courant électrique.
- Vérifier que le disjoncteur ne s'est pas déclenché et qu'aucun fusible n'est grillé.
- Démarrer la laveuse à l'aide du système de paiement (si elle en comporte un) pour vérifier que le programme de lavage arrive bien à terme sans qu'aucun code d'erreur ou fuite n'apparaisse.

TAILLES TYPIQUES D'UNE PLEINE CHARGE

Type de charge	Suggestion de chargement
Charge mixte	3 draps doubles 4 taies d'oreiller 6 shorts 8 t-shirts 2 t-shirts 2 chemisiers 8 mouchoirs
Pressage permanent	2 draps pour lit double ou 1 drap de très grande taille 1 nappe 1 robe 1 chemisier 2 pantalons décontractés 3 chemises 2 taies d'oreiller
Vêtements de travail lourds	3 pantalons 3 chemises 1 salopette 4 jeans 1 salopette
Tricots	3 chemisiers 4 pantalons décontractés 6 chemises 4 hauts 4 robes

Le programme Normal (normal) est recommandé pour laver des vêtements en coton ou en lin avec un degré de saleté normal. Ces certifications énergétiques gouvernementales de cette laveuse étaient basées sur le programme Normal Eco (normal écologique) avec essorage automatique, niveau de saleté automatique et toutes les sélections de température de lavage offertes dans le programme. La laveuse a été testée en tant que laveuse à linge avec système de commande de remplissage d'eau automatique adaptatif. Les réglages livrés sont un programme normal, une température de lavage tiède, un niveau d'eau automatique et une vitesse d'essorage automatique.

ENTRETIEN DE LA LAVEUSE

Conseils d'utilisation

⚠ AVERTISSEMENT



Risque d'incendie

Ne jamais mettre des articles humectés d'essence ou d'autres fluides inflammables dans la laveuse.

Aucune laveuse ne peut complètement enlever l'huile.

Ne pas faire sécher des articles qui ont été salis par tout genre d'huile (y compris les huiles de cuisson).

Le non-respect de ces instructions peut causer un décès, une explosion ou un incendie.

Il est recommandé de ne pas laver d'articles en fibre de verre dans une laveuse payante. Si on lave ces articles dans la laveuse, faire fonctionner un programme complet pour rincer les éventuels résidus restés dans la laveuse.

Transport de la laveuse

- Fermer les deux robinets d'eau. Débrancher et vidanger les tuyaux d'arrivée d'eau.
- Déconnecter le tuyau d'évacuation du système de vidange et vider l'eau qui reste dans un bac ou un seau. Déconnecter le tuyau d'évacuation de l'arrière de la laveuse.
- Débrancher le cordon d'alimentation.
- Placer les tuyaux d'arrivée d'eau et le tuyau d'évacuation dans le panier de la laveuse.
- Faire passer le cordon d'alimentation par-dessus le bord et le mettre dans le panier de la laveuse.
- Remplacer le support d'emballage issu du matériel d'expédition d'origine à l'intérieur de la laveuse et réutiliser la base d'expédition pour soutenir le moteur et la cuve. Si vous n'avez plus l'emballage d'origine, placer des couvertures lourdes ou des serviettes au-dessus du panier, entre le sommet de la laveuse et le pourtour de la cuve. Fermer le couvercle et placer du ruban adhésif sur le couvercle et jusqu'à la partie inférieure avant de la laveuse. Laisser le couvercle fermé par l'adhésif jusqu'à ce que la laveuse soit installée à son nouvel emplacement.

EN CAS DE BESOIN D'ASSISTANCE

Communiquez avec votre distributeur de produits de buanderie commerciaux autorisé. Pour localiser votre distributeur autorisé de buanderie à usage commercial ou pour toute question par Internet, consultez le www.whirlpoolcommerciallaundry.com.

Si vous ne parvenez pas à localiser un revendeur, le centre d'aide pour les appareils de buanderie à usage commercial répond à toute question qui n'aurait pas été abordée dans les Instructions d'installation au sujet du fonctionnement ou de l'entretien de la laveuse.

Il suffit de composer le numéro sans frais **1-866-698-2538**.

Lors de votre appel, vous aurez besoin du numéro de modèle et de série de la laveuse. Vous trouverez ces deux numéros sur la plaque signalétique située sur la laveuse.

PIÈCES SUPPLÉMENTAIRES ET ACCESSOIRES

Il se peut que l'installation nécessite des pièces supplémentaires. Pour acheter l'un des articles indiqués ici, composer le numéro sans frais indiqué à la section « Assistance ».

Si vous avez :	Il vous faudra :
Égout surélevé	Tuyau rigide d'évacuation standard de 20 gallons (76 L) de 39 po (990 mm) de haut ou évier de décharge, pompe de puisard et connecteurs (offerts chez les vendeurs de matériel de plomberie locaux)
Tuyau de rejet à l'égout de 1 po (25 mm)	Adaptateur de 2 po (51 mm) à 1 po (25 mm) de diamètre pour le tuyau de rejet à l'égout pièce n° 3363920, Trousse de connexion pièce n° 285835
Le système d'évacuation obstrué par de la charpie	Protecteur de canalisation pièce n° 367031, Trousse de connexion pièce n° 285835
Système de vidange au sol	Brise-siphon pièce n° 285320, Trousse de connexion (x2) pièce n° 285835 Rallonge de tuyau d'évacuation, pièce n° 285863
Drain hors de portée du tuyau de vidange	Rallonge du tuyau de vidange de 4 pi (1,2 m), pièce n° DRNEXT4
Robinetts d'eau hors d'atteinte des tuyaux d'alimentation	2 tuyaux d'admission d'eau plus longs : Tuyau coudé de 6 pi (1,8 m) pièce n° 76314, 10 pi (3,0 m) pièce n° 8212656RP
Accessoires	
	Plateaux d'égouttement de la laveuse, pièce n° 8212526
	Trousse de distributeur d'assouplissant pour tissu, pièce n° 63594

INSTRUCTIONS DE CONFIGURATION DES COMMANDES ÉLECTRONIQUES

Utilisation de base de la laveuse commerciale

- Pour plus de renseignements, visiter le www.whirlpoolcommerciallaundry.com.

⚠ AVERTISSEMENT



Risque de choc électrique

Déconnecter la source de courant électrique avant l'entretien.

Replacer pièces et panneaux avant de faire la remise en marche.

Le non-respect de ces instructions peut causer un décès ou un choc électrique.

IMPORTANT

Circuits électroniques sensibles aux décharges électrostatiques

Le risque de décharge électrostatique est permanent. Une décharge électrostatique peut détruire ou détériorer les circuits électroniques de la machine. La nouvelle carte peut sembler fonctionner correctement après la réparation, mais une décharge électrostatique peut lui avoir fait subir des contraintes qui provoqueront une défaillance plus tard.

- Utiliser un bracelet de décharge électrostatique. Connecter le bracelet de décharge électrostatique au point vert de raccordement à la terre ou à une surface métallique non peinte à l'intérieur de la laveuse.

– OU –

Toucher avec le doigt à plusieurs reprises un point vert de raccordement à la terre ou une surface métallique non peinte à l'intérieur de la laveuse.

- Avant de retirer la pièce de son emballage, placer le sachet antistatique en contact avec un point vert de raccordement à la terre ou une surface métallique non peinte à l'intérieur de la laveuse.
- Éviter de toucher les composants électroniques ou les broches de contact; manipuler les circuits électroniques de la machine uniquement par les bords.
- Lors du remballage de circuits électroniques défectueux dans le sachet antistatique, observer les instructions ci-dessus.

RENSEIGNEMENTS GÉNÉRAUX

Affichage vide

Vérifier l'alimentation de la machine. Accéder au mode d'entretien et vérifier le code d'anomalie.

« 0 Minutes » apparaît sur l'affichage

Cela indique que le programme précédent est terminé ou qu'une réinitialisation de la machine a été effectuée. L'ouverture du couvercle restaurera l'affichage à l'état Vend Price (prix de vente) ou Available (disponible).

Réglages d'usine par défaut

La laveuse est programmée à l'usine comme suit :

- HEAVY DUTY (service intense) = Lavage principal à l'eau chaude – Grand rinçage – Option Heavy Soil (saleté intense) activée – Option Extra Rinse (rinçage supplémentaire) activée – Prix du modèle de PIÈCE fixé à 2,25 \$.
- MIXTE (mixte) = Lavage principal à l'eau tiède – Grand rinçage – Aucune option activée – Prix du modèle de PIÈCE fixé à 1,75 \$.
- DELICATES (articles délicats) = Lavage principal à l'eau froide – Grand rinçage – Aucune option activée – Prix du modèle de PIÈCE fixé à 1,75 \$.
- NORMAL ECO (normal écologique) = Lavage principal à l'eau tiède – Rinçage par aspersion progressive – Aucune option activée – Prix du modèle de PIÈCE fixé à 1,75 \$.

Se reporter aux Réglages de programme dans le menu Programme pour modifier les réglages par défaut.

Démarrage avec chaleur (après panne de courant)

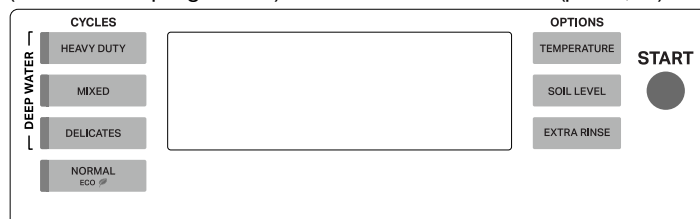
Après un délai pouvant aller jusqu'à 8 secondes, la laveuse revient à la partie du programme en cours au moment de la panne de courant. Appuyer sur START (mise en marche) pour poursuivre le programme.

Programmes gratuits

Cette fonction est établie en réglant le prix du programme sur zéro. Lorsque cela se produit, « SELECT CYCLE » (sélectionner un programme) apparaît et le prix du programme indique 0.00.

Affichage

Une fois la laveuse installée et branchée, l'affichage indique « SYnC » pendant quelques secondes, puis « 0 MINUTES » s'affiche. Une fois la laveuse branchée et sa porte ouverte puis fermée, l'affichage indique le prix. Sur les laveuses réglées sur des programmes gratuits, l'affichage indique « SELECT CYCLE » (sélectionner programme) et affiche « PRICE 0.00 » (prix 0,00).



Procédures de configuration des commandes

IMPORTANT : Lire toutes les instructions avant la mise en marche.

Les touches inférieures de réglage du tissu et l'affichage numérique servent à régler les commandes. L'affichage peut contenir quatre chiffres ou lettres et un point décimal. Il indique les codes de configuration et les valeurs correspondantes pour la programmation de la laveuse.

Utilisation des touches pour la programmation des commandes

1. Le bouton HEAVY DUTY (service intense) est utilisé pour régler les valeurs associées au code de paramétrage. En appuyant sur la touche, la valeur change par paliers. Un réglage rapide est possible en maintenant la touche enfoncée.
2. La touche MIXED (mixte) fait défiler les codes de paramétrage. Le code de paramétrage possible suivant est atteint en appuyant sur cette touche. Pour passer aux codes de paramétrage suivants à un rythme d'un (1) par seconde, maintenir la touche enfoncée.
3. La touche DELICATES (articles délicats) sélectionne les options ou les annule.
4. La touche TEMPERATURE (température) est utilisée pour diminuer la valeur du code de paramétrage.

Paramétrage en début d'utilisation

- Modèles à PIÈCES : Insérer la clé d'accès dans la porte, la tourner et la soulever pour retirer la porte d'accès.

La laveuse est à présent en mode de configuration.

Avant de poursuivre, il convient de noter que malgré toutes les options disponibles, une personne peut simplement choisir de débarrer une laveuse commerciale neuve, la brancher et disposer d'un appareil fonctionnel.

Codes de configuration

Le code de configuration est indiqué par un ou deux caractères à gauche. La valeur du code de configuration est indiquée par deux ou trois caractères à droite.

REMARQUE : Les codes de configuration marqués d'un * peuvent être transférés d'une machine à une autre (doivent être du même type de modèle) à l'aide d'une clé USB.

CODE	EXPLICATION
6.07	Montant pour démarrer pour le programme MIXED (mixte)*.
MIXED (mixte)	Représente le nombre d'insertions de pièces ou le débit de la carte de débit nécessaire pour démarrer le programme. Voir Valeur de la pièce 1. Réglable de 0 à 200.

→ Appuyer une fois sur la touche MIXED (mixte) pour passer au code suivant.

CODE	EXPLICATION
6.07 DELICATES (articles délicats)	Montant pour démarrer pour le programme DELICATES (articles délicats)*. Représente le nombre d'insertions de pièces ou le débit de la carte de débit nécessaire pour démarrer le programme de base. Voir Valeur de la pièce 1. Réglable de 0 à 200.
→ Appuyer une fois sur la touche MIXED (mixte) pour passer au code suivant.	
6.09 HEAVY DUTY (service intense)	Montant pour démarrer pour le programme HEAVY DUTY (service intense)*. Représente le nombre d'insertions de pièces ou le débit de la carte de débit nécessaire pour démarrer le programme. Voir Valeur de la pièce 1. Réglable de 0 à 200.
→ Appuyer une fois sur la touche MIXED (mixte) pour passer au code suivant.	
6.07 NORMAL ECO (normal écologique)	Montant pour démarrer pour le programme NORMAL ECO (normal écologique)*. Représente le nombre d'insertions de pièces ou le débit de la carte de débit nécessaire pour démarrer le programme de base. Voir Valeur de la pièce 1. Réglable de 0 à 200.
→ Appuyer une fois sur la touche MIXED (mixte) pour passer au code suivant.	
2.00	ÉCRAN POUR ACCÉDER AU SOUS-MENU DU MODE D'AIDE
2.00	Accéder au sous-menu en appuyant sur la touche HEAVY DUTY (service intense). Quitter le sous-menu en appuyant sur la touche HEAVY DUTY (service intense).

CONFIGURATION DES COMMANDES PAR USB

Pour accéder au menu de configuration USB, accéder au code de configuration 2.xx. Appuyer sur la touche HEAVY DUTY (service intense) pour activer le sous-menu du mode d'aide. Le premier sous-mode du mode d'aide est l'option USB. Appuyer à tout moment sur la touche HEAVY DUTY (service intense) pour quitter le mode d'aide.

SOUS-MODE	DESCRIPTION	REMARQUE
USB	Sur cet écran, appuyer sur la touche HEAVY DUTY (service intense) pour accéder au menu USB. Le menu USB permet la mise à jour du logiciel et l'importation/exportation des paramètres de la machine.	Permet à l'utilisateur d'accéder au menu USB. Voir la section MENU USB pour plus d'informations.

MENU USB

Sur l'écran USB, appuyer sur la touche HEAVY DUTY (service intense). Pour avancer dans le sous-menu USB, utiliser la touche MIXED (mixte). La touche DELICATES (articles délicats) est la touche Select (sélectionner). Appuyer à tout moment sur la touche HEAVY DUTY (service intense) pour quitter le menu USB.

Voir la page 23 pour connaître l'emplacement du port USB sur l'appareil et les instructions pour installer une clé USB sur l'appareil et pour retirer une clé USB de l'appareil.

CODE	EXPLICATION
U0.00	Clé USB insérée? (État uniquement).
U0.00	Ce code s'affiche si la clé USB n'est PAS détectée.
U0.01	Ce code s'affiche si la clé USB est détectée.
→ Appuyer une fois sur la touche MIXED (mixte) pour passer au code suivant.	
U1.00	Mode de programmation
U1.00	Ce code s'affiche si la clé USB n'est PAS détectée.
U1.01	Ce code s'affiche si la clé USB est détectée. Si l'on souhaite reprogrammer les commandes, appuyer 3 fois sur la touche DELICATES (articles délicats). L'affichage bascule entre U1.01 et ProG pendant la mise à jour du MCA ou U1.01 et --.-- pendant la mise à jour de l'IU. Patienter jusqu'à la fin du processus, cela peut prendre plusieurs minutes. Une fois le logiciel téléchargé avec succès sur la machine, le contrôle peut prendre plusieurs minutes pour se réinitialiser. Après la réinitialisation complète, la machine revient en mode client ou en mode service en fonction de l'état du commutateur de service.

CODE	EXPLICATION
FCE4 OU FCE5	Si la programmation du logiciel a échoué, l'affichage bascule entre U1.01 et FCE4 ou FCE5.
→ Appuyer une fois sur la touche MIXED (mixte) pour passer au code suivant.	
U2.00	Exporter les paramètres de la machine sur une clé USB.
U2.00	Ce code s'affiche si la clé USB n'est pas détectée.
U2.01	Ce code s'affiche si la clé USB est détectée. Si l'on souhaite exporter les paramètres de la machine vers une clé USB, appuyer 3 fois sur la touche DELICATES (articles délicats). L'affichage bascule entre U2.01 et --.-- pendant l'exportation en cours.
DonE (terminé)	L'affichage bascule entre U2 et donE une fois l'exportation terminée avec succès.
FCE4 OU FCE5	Si l'exportation a échoué, l'affichage bascule entre U2.01 et FCE4 ou FCE5.
→ Appuyer une fois sur la touche MIXED (mixte) pour passer au code suivant.	
U3.00	Importer les paramètres de la machine de la clé USB.
U3.00	Importer les paramètres de la machine de la clé USB.
U3.01	Ce code s'affiche si la clé USB est détectée. Si l'on souhaite importer les paramètres de la machine de la clé USB vers la machine, appuyer 3 fois sur la touche DELICATES (articles délicats). L'affichage bascule entre U3.01 et --.-- pendant l'importation en cours.
DonE (terminé)	L'affichage bascule entre U3 et donE une fois l'importation terminée avec succès.
FCE4 OU FCE5	Si l'importation a échoué, l'affichage bascule entre U3.01 et FCE4 ou FCE5.
→ Appuyer une fois sur la touche MIXED (mixte) pour revenir au début de ce menu.	
U4.00	Exporter les données d'audit de la machine sur une clé USB.
U4.00	Ce code s'affiche si la clé USB n'est pas détectée.
U4.01	Ce code s'affiche si la clé USB est détectée. Si l'on souhaite exporter les données d'audit de la machine sur une clé USB, appuyer 3 fois sur la touche DELICATES (articles délicats). L'affichage bascule entre U4.01 et --.-- pendant l'exportation en cours.
DonE (terminé)	L'affichage bascule entre U4.01 et donE une fois l'exportation terminée avec succès.
FCE4 OU FCE5	Si l'exportation a échoué, l'affichage bascule entre U4.01 et FCE4 ou FCE5.

FIN DES OPÉRATIONS DE PARAMÉTRAGE

QUITTER LE MODE DE CONFIGURATION

■ Modèles à PIÈCES : réinstaller la porte d'accès.

REMARQUE : Si un programme de service est en cours en quittant le mode de service, il se termine normalement, avec l'affichage des informations d'état du programme. L'affichage retrouve son mode de fonctionnement normal pour les clients à la fin du programme.

ACCÈS AU PORT USB

Accès au port USB sur l'appareil si une clé USB est utilisée pour modifier les paramètres des commandes électroniques

⚠ AVERTISSEMENT



Risque de choc électrique

Déconnecter la source de courant électrique avant l'entretien.

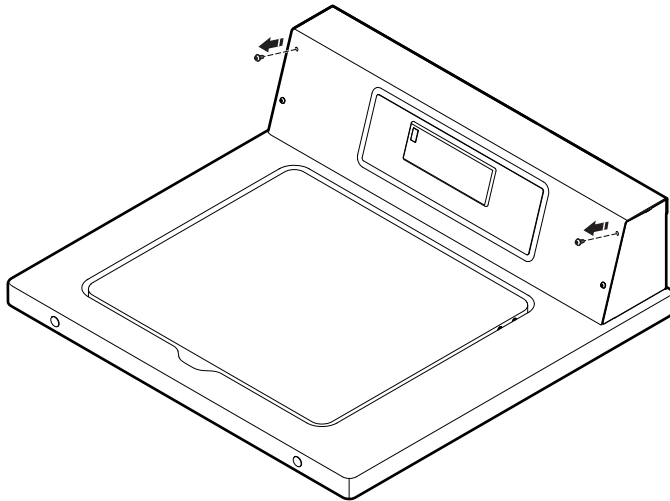
Replacer pièces et panneaux avant de faire la remise en marche.

Le non-respect de ces instructions peut causer un décès ou un choc électrique.

Pour installer ou retirer une clé USB

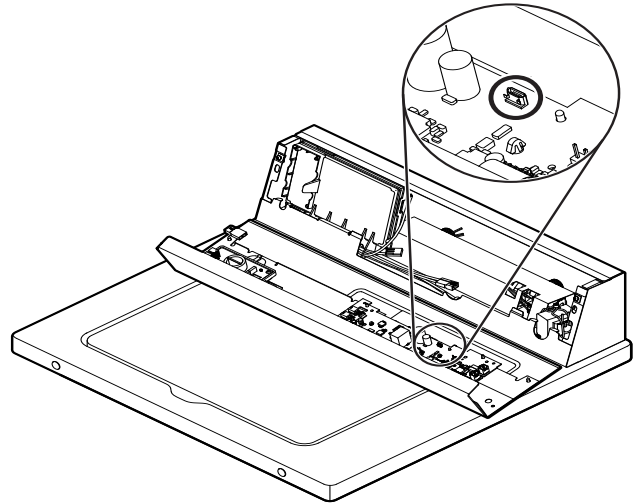
Le port USB est situé sur la carte de commande de l'affichage.

1. Retirer les deux vis pour permettre au panneau de façade de pivoter vers l'extérieur de l'appareil.

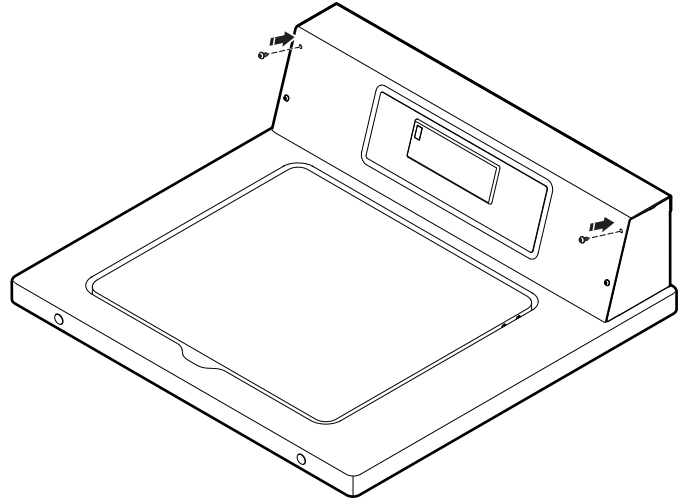


2. Poser le panneau de façade face vers le bas sur le panneau supérieur de l'appareil pour permettre l'accès au tableau de commande de l'interface utilisateur.

3. Installer la clé USB dans le port USB ou retirer la clé USB du port USB.



4. Replacer le panneau de façade sur l'appareil au moyen des deux vis retirées précédemment.



⚠ AVERTISSEMENT



Risque de choc électrique

Brancher sur une prise à 3 alvéoles reliée à la terre.

Ne pas enlever la broche de liaison à la terre.

Ne pas utiliser un adaptateur.

Ne pas utiliser un câble de rallonge.

Le non-respect de ces instructions peut causer un décès, un incendie ou un choc électrique.

5. Brancher l'appareil sur une prise à 3 alvéoles reliée à la terre ou reconnecter la source de courant électrique.

SEGURIDAD DE LA LAVADORA

Su seguridad y la seguridad de los demás es muy importante.

Hemos incluido muchos mensajes importantes de seguridad en este manual y en su electrodoméstico. Lea y obedezca siempre todos los mensajes de seguridad.



Este es el símbolo de alerta de seguridad.

Este símbolo le llama la atención sobre peligros potenciales que pueden ocasionar la muerte o una lesión a usted y a los demás.

Todos los mensajes de seguridad irán a continuación del símbolo de advertencia de seguridad y de la palabra "PELIGRO" o "ADVERTENCIA". Estas palabras significan:

⚠ PELIGRO

Si no sigue las instrucciones de inmediato, usted puede morir o sufrir una lesión grave.

⚠ ADVERTENCIA

Si no sigue las instrucciones, usted puede morir o sufrir una lesión grave.

Todos los mensajes de seguridad le dirán el peligro potencial, le dirán cómo reducir las posibilidades de sufrir una lesión y lo que puede suceder si no se siguen las instrucciones.

INSTRUCCIONES IMPORTANTES DE SEGURIDAD

ADVERTENCIA: Para reducir el riesgo de incendio, choque eléctrico o lesiones personales al usar su lavadora, siga las precauciones básicas, entre ellas las siguientes:

- Lea todas las instrucciones antes de usar la lavadora.
- No lave artículos que ya se hayan limpiado, lavado, remojado o manchado con gasolina, disolventes de limpieza en seco u otras sustancias inflamables o explosivas ya que despiden vapores que pueden encenderse o causar una explosión.
- No agregue gasolina, solventes para limpiar en seco u otras sustancias inflamables o explosivas al agua de lavado. Estas sustancias despiden vapores que pueden encenderse o causar una explosión.
- En ciertas condiciones, puede producirse gas hidrógeno en un sistema de agua caliente que no se ha utilizado durante dos semanas o más. **EL GAS HIDRÓGENO ES EXPLOSIVO.** Si no se ha usado el agua caliente durante dicho período, antes de usar la lavadora, abra todos los grifos de agua caliente y deje que corra el agua por varios minutos. Esto liberará todo el gas hidrógeno que se haya acumulado. Debido a la inflamabilidad de dicho gas, no fume ni use una llama abierta durante este lapso.
- No permita que los niños jueguen dentro o cerca de la lavadora. Es necesario supervisar a los niños cuando se use la lavadora cerca de ellos.
- Antes de retirar de servicio o desechar la lavadora, quite la puerta o la tapa.
- No introduzca las manos en la lavadora si el tambor, la tina o el agitador están en funcionamiento.
- No instale o almacene la lavadora en lugares donde quede expuesta a la intemperie.
- No trate de forzar los controles.
- No repare ni cambie pieza de la lavadora ni intente realizar terea alguna de servicio técnico, excepto cuando así se le indique específicamente en este manual o en instrucciones de reparación para el usuario publicadas, que usted entienda y para ejecución cuente con la habilidad necesaria.
- Para obtener información respecto a las instrucciones de conexión a tierra, consulte "Requisitos eléctricos" en las instrucciones de instalación.
- **ADVERTENCIA:** No lave prendas resistentes o tipo resistentes al agua. No seguir de cerca estas instrucciones puede resultar en una condición de vibración anormal y desequilibrio que podría ocasionar lesiones físicas, daños a la propiedad y/o daños al aparato.

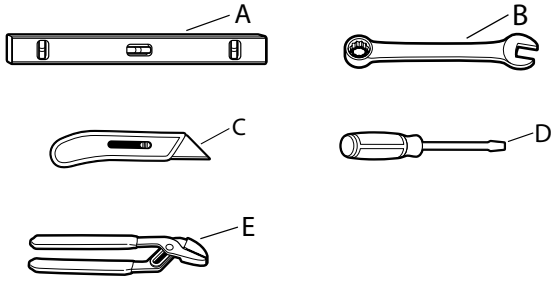
GUARDE ESTAS INSTRUCCIONES

PARA SU SEGURIDAD

No almacene ni use gasolina u otros vapores y líquidos inflamables cerca de éste o cualquier otro electrodoméstico.

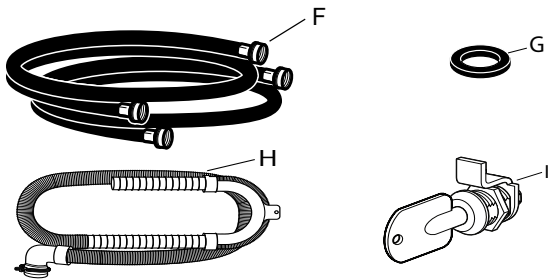
HERRAMIENTAS Y PIEZAS

Herramientas necesarias:



- A. Nivel
- B. Llave de extremo abierto de 9/16"
- C. Cuchillo para uso general
- D. Destornillador de cabeza plana
- E. Pinzas

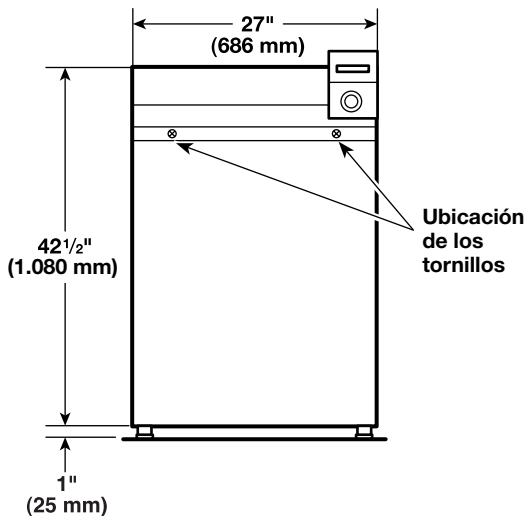
Piezas suministradas:



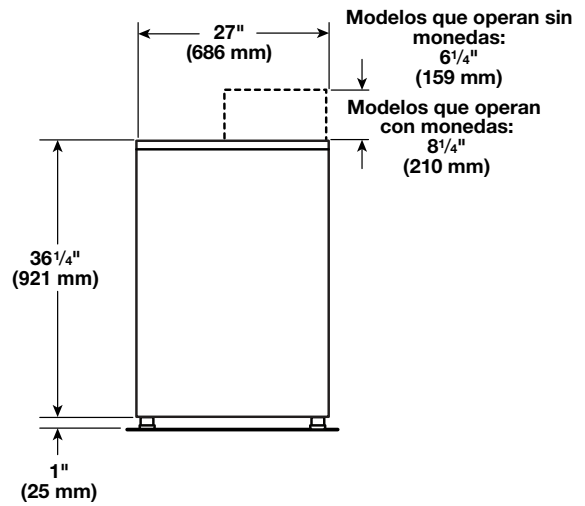
- F. Mangueras de entrada de agua (2)
- G. Arandela de la manguera de entrada (4)
- H. Manguera de desagote con abrazadera, molde en forma de U y atadura para cables
- I. Conjunto de bloqueo de la puerta

MEDIDAS

Vista frontal

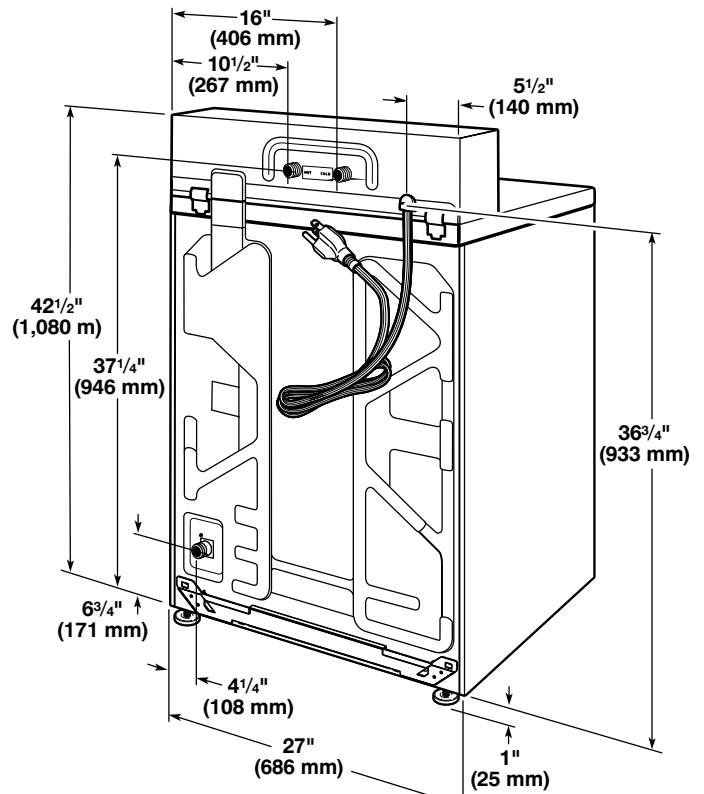


Vista lateral

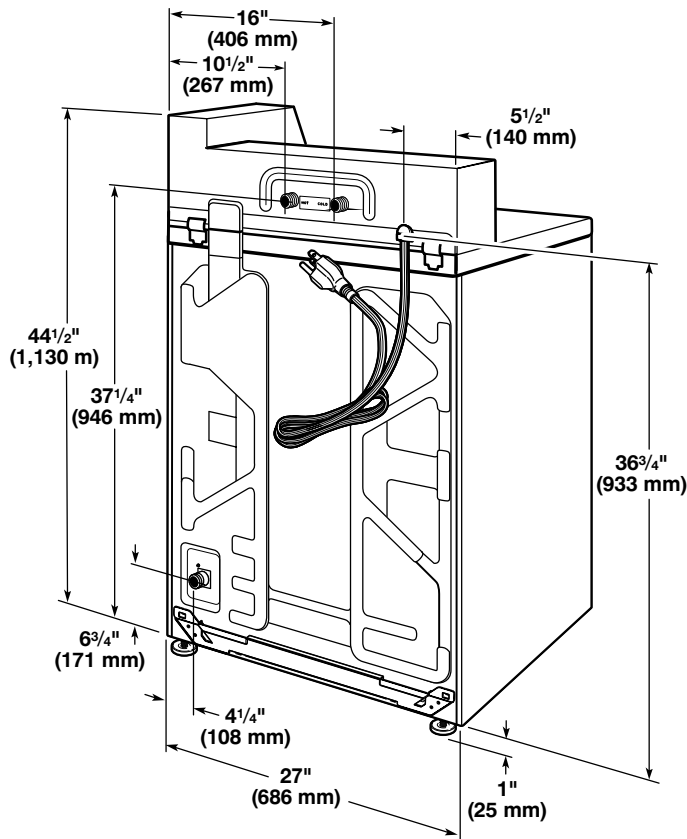


Vista posterior

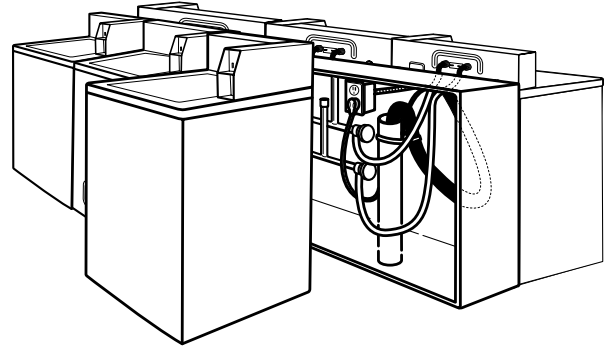
Modelos que operan sin monedas



Modelos que operan con monedas



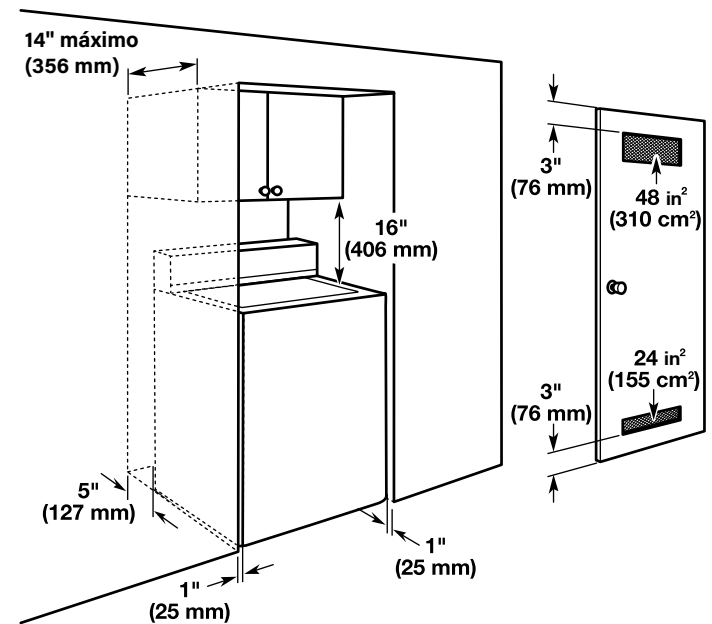
- Un desagüe de piso debajo del tabique. Los tabiques divisorios prefabricados con contactos eléctricos, las líneas de entrada de agua y las instalaciones con desagües deben ser usados únicamente donde los códigos locales lo permitan.



Instalación en zona empotrada o en clóset

Esta lavadora podrá instalarse en un área empotrada o en un clóset. Las dimensiones de instalación que se ilustran a continuación son para los espacios mínimos permitidos. Debe considerarse espacio adicional para facilitar la instalación y el mantenimiento. Se deberán tener en cuenta los requisitos para la ubicación de otro electrodoméstico que lo acompañe.

Espacio mínimo para la instalación



REQUISITOS DE LA UBICACIÓN

La selección de una ubicación apropiada para la lavadora mejora el rendimiento y reduce al mínimo el ruido y posibles "desplazamientos" de la lavadora.

La lavadora se puede instalar en un sótano, cuarto para lavar o un lugar empotrada. Consulte "Sistema de desagüe".

También deberán tenerse en cuenta los requisitos de ubicación de otro aparato que le acompañe.

IMPORTANTE: No instale o almacene la lavadora en lugares donde quede expuesta a la intemperie. No almacene ni opere la lavadora a temperaturas de 32 °F (0 °C) o inferiores. El agua que quede en la lavadora puede ocasionar daños a bajas temperaturas. Usted es responsable de su correcta instalación.

Necesitará lo siguiente:

- Un calentador de agua en 120 °F (49 °C).
- Un tomacorriente con conexión a tierra ubicado a no más de 4 pies (1,2 m) del cable eléctrico detrás de la lavadora. Consulte "Requisitos eléctricos".
- Grifos de agua caliente y de agua fría ubicados a una distancia de no más de 4 pies (1,2 m) de las válvulas de llenado del agua caliente y fría de la lavadora, y una presión de agua de 20-100 psi (138-690 kPa). Debe usarse una válvula de reducción de presión en la línea de suministro donde la presión de entrada hacia el edificio exceda 100 psi (690 kPa) para evitar daños a la válvula de mezcla de la lavadora.
- Para las instalaciones con lavadoras simples se requieren montantes de un mínimo de 12" (300 mm) para que provean una cámara de aire, y eviten el ruido y los daños a las válvulas.
- Un piso nivelado con un declive máximo de 1" (25 mm) debajo de la lavadora completa. No se recomienda la instalación sobre alfombra.
- El piso debe soportar el peso total de la lavadora (con el agua y la carga) de 315 lb (143 kg).

INSTRUCCIONES DE INSTALACIÓN

⚠️ ADVERTENCIA

Peligro de Peso Excesivo

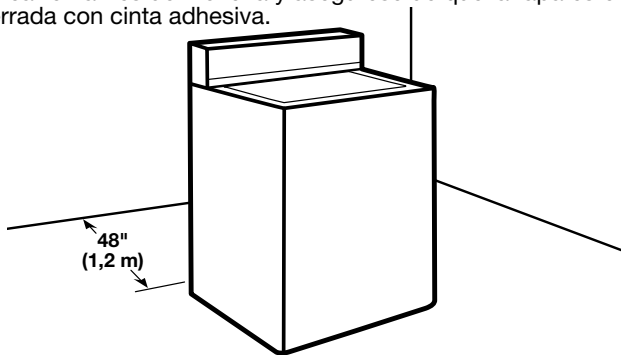
Use dos o más personas para mover e instalar la lavadora.

No seguir esta instrucción puede ocasionar una lesión en la espalda u otro tipo de lesiones.

Es necesario quitar todos materiales de transporte para obtener un funcionamiento adecuado y evitar el ruido excesivo de la lavadora.

1. Mueva la lavadora a 4 pies (1,2 m) de su ubicación final; debe estar en posición vertical.

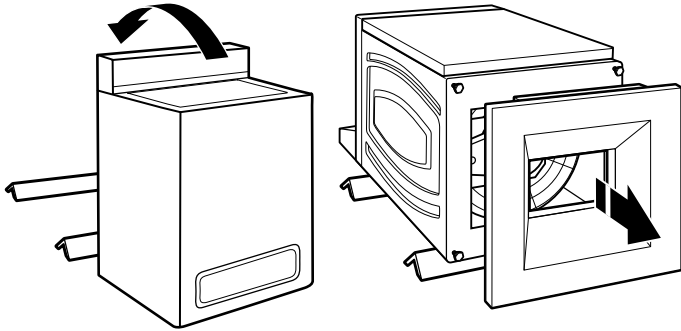
NOTA: Para evitar daños en el piso, coloque la lavadora sobre un cartón antes de moverla y asegúrese de que la tapa esté cerrada con cinta adhesiva.



2. Para evitar dañar el piso, coloque soportes de cartón hechos con el cartón del empaque en el piso debajo de la lavadora. Incline la lavadora hacia atrás y colóquela sobre los soportes de cartón. Retire la base del envío. Deje la lavadora en posición vertical.

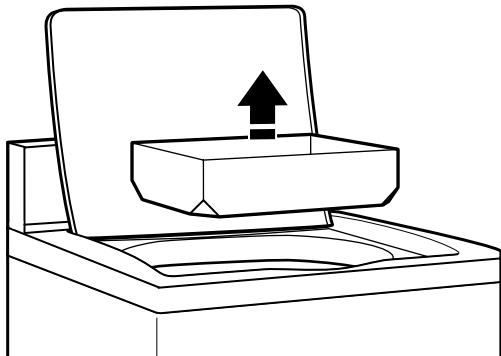
IMPORTANTE: Para un funcionamiento adecuado es necesario quitar la base de transporte.

NOTA: Guarde la base de envío por si necesita mover la lavadora más tarde.



3. Quite la cinta adhesiva de la tapa de la lavadora, abra la tapa y saque la bandeja de empaque de cartón de la tina. Asegúrese de retirar todas las piezas de la bandeja.

NOTA: Guarde la bandeja por si necesita mover la lavadora más tarde.



NIVELACIÓN DE LA LAVADORA

IMPORTANTE: Nivele la lavadora correctamente para reducir el exceso de ruido y vibración.

⚠️ ADVERTENCIA

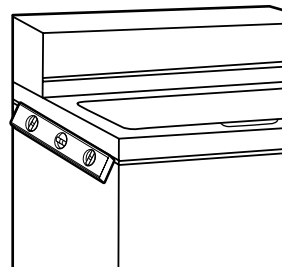
Peligro de Peso Excesivo

Use dos o más personas para mover e instalar la lavadora.

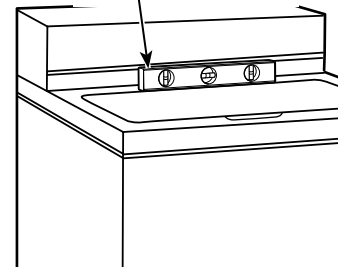
No seguir esta instrucción puede ocasionar una lesión en la espalda u otro tipo de lesiones.

1. Mueva la lavadora a su ubicación final. Coloque un nivel sobre los bordes superiores de la lavadora. Use la hendidura lateral como una guía para revisar la nivelación de los lados. Revise la nivelación del frente usando la tapa, como se muestra. Balancee la lavadora hacia adelante y hacia atrás para asegurarse de que los 4 pies hagan contacto firme con el piso.

Coloque el nivel aquí



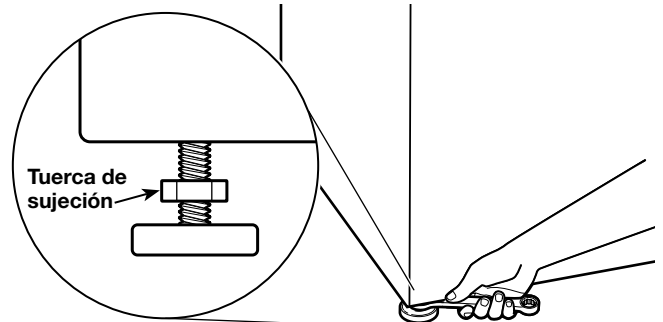
Coloque el nivel aquí



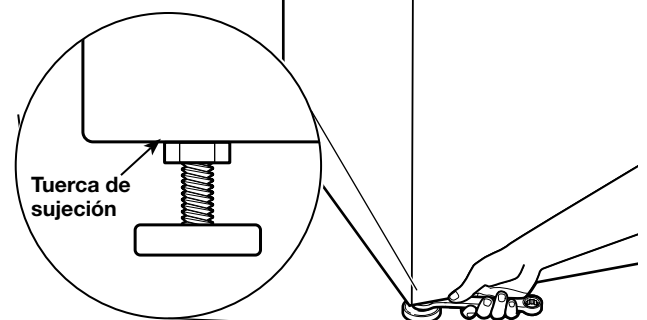
2. Use una llave de extremo abierto o llave ajustable de 9/16" o 14 mm para girar las tuercas de sujeción hacia la derecha sobre las patas hasta que estén a aproximadamente 1/2" (13 mm) de la carcasa de la lavadora. Luego gire la pata niveladora hacia la derecha para bajar la lavadora, o hacia la izquierda para levantarla.

Revise la nivelación de la lavadora nuevamente y repita el procedimiento según sea necesario.

CONSEJO ÚTIL: Puede apuntalar el frente de la lavadora aproximadamente 4" (102 mm) con un bloque de madera o un objeto similar que vaya a soportar el peso de la lavadora.



3. Cuando la lavadora esté nivelada, use una llave de boca o una llave ajustable de 9/16" o 14 mm para girar las tuercas fijadoras en las patas hacia la izquierda, apretándolas contra la carcasa de la lavadora.

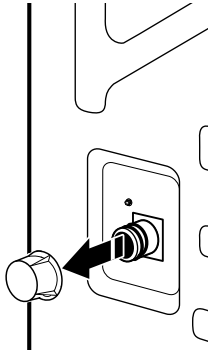


CONECTE LA MANGUERA DE DESAGÜE

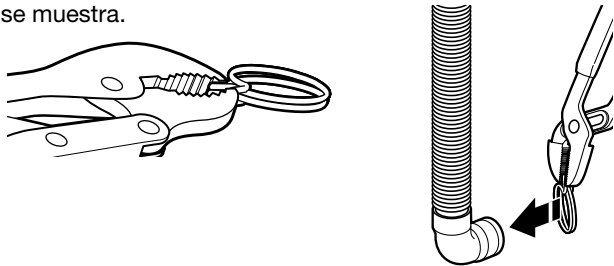
El tendido apropiado de la manguera de desagüe evita daños a sus pisos ocasionados por filtraciones de agua.

Retire la manguera de desagüe del tambor de la lavadora

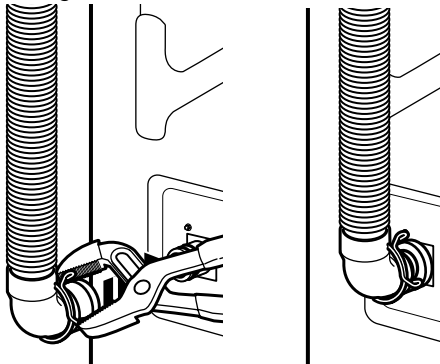
1. Quite la tapa del puerto de desagüe de la lavadora que se encuentra en la parte posterior de la lavadora.



2. Si la abrazadera no está en su lugar, sobre el extremo del codo de la manguera de desagüe, deslícela sobre el extremo como se muestra.



3. Apriete la abrazadera con pinzas y deslice el extremo del codo de la manguera de desagüe sobre el puerto de desagüe de la lavadora. Asegúrelo con la abrazadera.



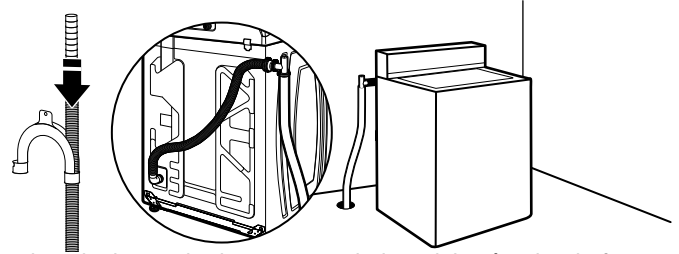
IMPORTANTE:

- La manguera de desagüe no deberá exceder de 8" (203 mm) en el tubo de desagüe; no fuerce el exceso de manguera en el tubo vertical ni la coloque en el fondo de la tina de lavado. Se debe usar el molde de la manguera de desagüe.
- Es responsabilidad del instalador instalar y asegurar la manguera de drenaje en el drenaje/la plomería que se provee de una manera que impida que la manguera de drenaje se salga o presente fugas de la plomería/el drenaje.

SISTEMA DE DESAGÜE

4. El sistema de desagote se puede instalar utilizando un desagote de piso, tubo vertical de pared, tubo vertical de piso o tina de lavadero. Seleccione el método que necesita.

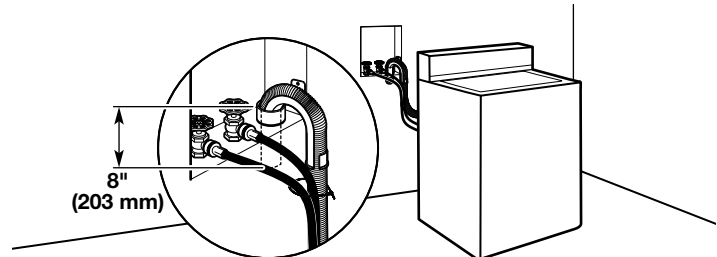
4a. Sistema de desagüe por el piso.



Para instalaciones de desagüe en el piso, deberá quitar la forma de U de la manguera de desagüe que se encuentra en uno de sus extremos.

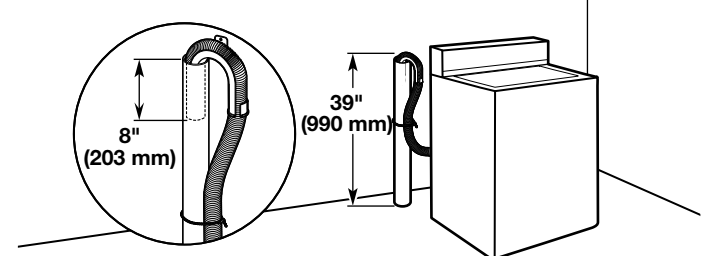
El sistema de drenaje del piso requiere un kit de desviación de sifón (número de pieza 285320). Desviación de sifón mínima: 28" (710 mm) de la base de la lavadora. Se pueden necesitar mangueras adicionales.

4b. Sistema de desagüe de tubo vertical de pared.



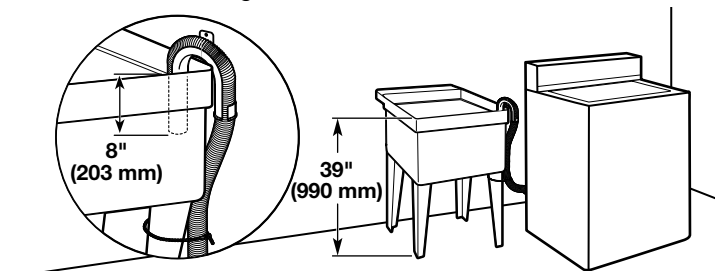
Vea los requisitos para el sistema de desagüe de piso de tubo vertical.

4c. Sistema de desagüe de tubo vertical de piso.



Diámetro mínimo para el desagüe de tubo vertical: 2" (51 mm). Capacidad mínima de desplazamiento: 10 galones (38 L) por minuto. La parte superior del tubo vertical debe estar a 39" (990 mm) de altura como mínimo; instálela a no más de 96" (2,44 m) de la base de la lavadora.

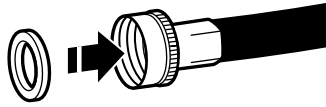
4d. Sistema de desagüe de tina de lavadero.



Capacidad mínima: 20 galones (76 L). La parte superior de la tina del lavadero debe estar a una altura mínima de 39" (990 mm) del piso.

CONECTE LAS MANGUERAS DE ENTRADA

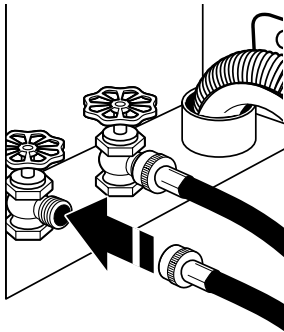
Inserte las nuevas arandelas para manguera (suministradas) en cada extremo de las mangueras de entrada. Asiente firmemente las arandelas en los acoplamientos.



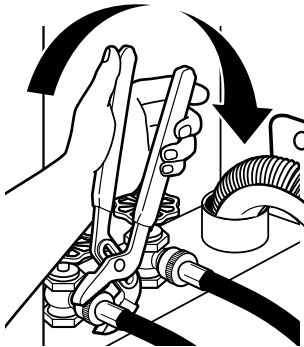
Lavadora Acoplamiento

Conecte las mangueras de entrada a los grifos del agua

1. Conecte la manguera al grifo de agua caliente. Enrosque el acoplamiento hasta que quede asentado en la lavadora. Repita el procedimiento para el agua fría.

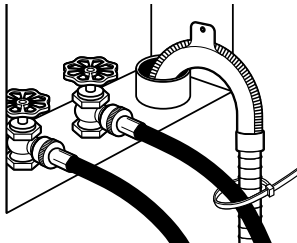


2. Use pinzas para apretar los acoplamientos dos tercios de vuelta adicionales.



IMPORTANTE: No apriete en exceso ni use cinta o selladores en la válvula cuando la sujete a los grifos o a la lavadora. Se pueden producir daños.

3. Asegure la manguera de desagüe a la manguera de entrada de agua con una correa de cremallera.



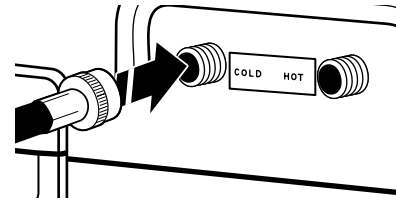
Despeje las líneas de agua

- Deje correr el agua de los grifos y las mangueras de desagüe en un lavadero, tubo de desagüe o cubeta para eliminar las partículas que se encuentran en las tuberías del agua, las cuales podrían obstruir los filtros de la válvula de entrada.
- Verifique la temperatura del agua para asegurarse de que la manguera de agua caliente esté conectada al grifo de agua caliente y que la manguera de agua fría esté conectada al grifo de agua fría.

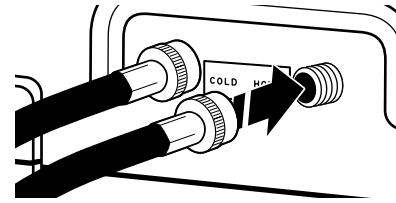


Conecte las mangueras de entrada a la lavadora

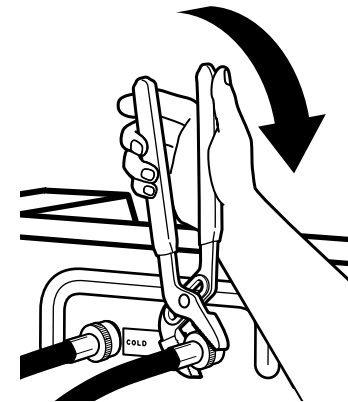
1. Sujete la manguera de agua fría a la válvula de entrada de agua fría, marcada con un aro azul. Enrosque el acoplamiento a mano hasta que quede firme.



2. Conecte la manguera de agua caliente a la válvula de entrada de agua caliente, marcada con un aro rojo. Enrosque el acoplamiento a mano hasta que quede firme.

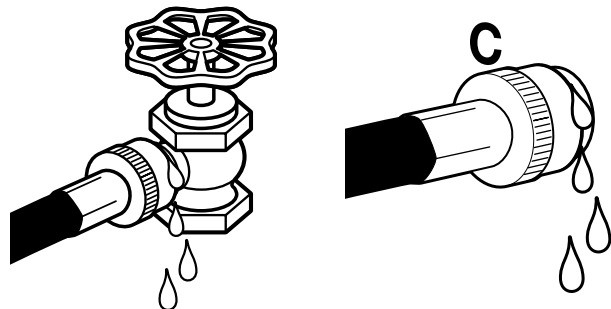


3. Use pinzas para apretar los acoplamientos dos tercios de vuelta adicionales.



NOTA: No ajuste demasiado. Se puede dañar la válvula.

4. Abra los grifos del agua para revisar si hay fugas de agua. Es posible que entre a la lavadora una pequeña cantidad de agua. Se desaguará más tarde.



NOTA: Reemplace las mangueras de entrada después de 5 años de uso para reducir el riesgo de que fallen. Para consulta en el futuro, anote en las mangueras la fecha de instalación o la fecha de reposición de estas.

Inspeccione periódicamente y reemplace las mangueras si aparecen bultos, torceduras, cortaduras, desgaste o filtraciones de agua.

REQUISITOS ELÉCTRICOS

⚠ ADVERTENCIA



Peligro de Choque Eléctrico

Conecte a un contacto de pared de conexión a tierra de 3 terminales.

No quite la terminal de conexión a tierra.

No use un adaptador.

No use un cable eléctrico de extensión.

No seguir estas instrucciones puede ocasionar la muerte, incendio o choque eléctrico.

- Se requiere un suministro eléctrico de 120 V, 60 Hz CA solamente, con fusibles de 15 A. Se recomienda un fusible retardador o un cortacircuitos. Asimismo se recomienda usar un cortacircuitos independiente que preste servicio únicamente a este aparato.
- Esta lavadora viene equipada con un cable eléctrico que tiene un enchufe de 3 terminales con conexión a tierra.
- Para reducir al mínimo el peligro de posibles choques eléctricos, el cable debe estar enchufado en un tomacorriente de 3 terminales, conectado a tierra de acuerdo con los códigos y las ordenanzas locales. Si no hay disponible un tomacorriente equivalente, es responsabilidad y obligación personal del cliente el hacer instalar un tomacorriente debidamente conectado a tierra por un electricista calificado.
- Si los códigos lo permiten y se emplea un cable de conexión a tierra separado, se recomienda que un electricista competente determine si la trayectoria de descarga a tierra es adecuada.
- No conecte la descarga a tierra a un tubo de gas.
- Si no está seguro de que la conexión a tierra de la lavadora sea la adecuada, verifíquela con un electricista competente.
- No coloque un fusible en el circuito neutro o de conexión a tierra.

INSTRUCCIONES PARA LA CONEXIÓN A TIERRA

Para una lavadora conectada a tierra con cable eléctrico:

Esta lavadora debe conectarse a tierra. En caso de funcionamiento defectuoso o avería, la conexión a tierra reducirá el riesgo de choque eléctrico al proporcionar una vía de menor resistencia para la corriente eléctrica. Esta lavadora viene equipada con un cable eléctrico que tiene un conductor de conexión a tierra del equipo y un enchufe con conexión a tierra. El enchufe debe conectarse en un contacto de pared apropiado que haya sido debidamente instalado y conectado a tierra de conformidad con todos los códigos y ordenanzas locales.

ADVERTENCIA: La conexión incorrecta de la terminal de conexión a tierra del equipo puede ocasionar un riesgo de choque eléctrico. Consulte con un electricista o técnico en reparaciones calificado si tiene duda alguna en cuanto a la conexión a tierra correcta del electrodoméstico.

No modifique el enchufe provisto con el electrodoméstico. Si éste no encaja en el contacto de pared, pida a un electricista calificado que le instale un contacto de pared apropiado.

Para una lavadora con contacto eléctrico permanente:

Esta lavadora debe estar conectada a un sistema de cableado de metal permanente, conectado a tierra, o se debe tender un conducto para la conexión a tierra del equipo con los conductores de circuito y conectado a la terminal de tierra del equipo o al conductor de suministro del electrodoméstico.

INSTALACIÓN COMPLETA

⚠ ADVERTENCIA



Peligro de Choque Eléctrico

Conecte a un contacto de pared de conexión a tierra de 3 terminales.

No quite la terminal de conexión a tierra.

No use un adaptador.

No use un cable eléctrico de extensión.

No seguir estas instrucciones puede ocasionar la muerte, incendio o choque eléctrico.

- Revise los requisitos eléctricos. Asegúrese de contar con la fuente de electricidad correcta y el método recomendado de conexión a tierra.
- Verifique que todas las piezas estén ahora instaladas. Si sobra alguna pieza, vuelva a revisar todos los pasos para ver qué se omitió.
- Verifique que tenga todas las herramientas.
- Revise que los materiales de transporte se hayan quitado por completo de la lavadora.
- Deshágase de todos los materiales de embalaje o reciclelos.
- Verifique que los grifos de agua estén abiertos.
- Verifique si hay fugas alrededor de los grifos y de las mangueras de entrada.
- Quite la película que está en la consola y cualquier cinta adhesiva que haya quedado en la lavadora.
- Enchufe en un contacto con conexión a tierra o reconecte el suministro de energía.
- Revise que el cortacircuitos no se haya disparado o que el fusible no esté quemado.
- Encienda la lavadora usando el sistema de pago (si está disponible) para verificar que el ciclo de lavado se complete sin un código de error o una fuga de agua.

TAMAÑOS DE CARGAS TÍPICAS DE VOLUMEN COMPLETO

Tipo de carga	Sugerencias para cargar
Cargas mixtas	3 sábanas dobles 4 fundas para almohada 6 pantalones cortos 8 camisetas 2 camisas 2 blusas 8 pañuelos
Planchado permanente	2 de tamaño doble o 1 sábana tamaño king 1 mantel 1 vestido 1 blusa 2 pantalones 3 camisas 2 fundas para almohada
Ropa pesada de trabajo	3 pantalones 3 camisas 1 overol 4 pantalones de mezclilla 1 overol
Tejidos de punto	3 blusas 4 pantalones 6 camisas 4 blusas 4 vestidos

Se recomienda el ciclo Normal (Normal) para el lavado de prendas de algodón y lino con suciedad normal. Las certificaciones gubernamentales de energía de estas lavadoras de ropa se basaron en el ciclo Normal Eco (Normal Ecológico) con Auto Spin (Centrifugado automático), Auto Soil Level (Nivel de suciedad automático) y todas las selecciones de temperatura de lavado que se ofrecen en el ciclo. Se probó como una lavadora de ropa con sistema de control de llenado de agua automático y adaptativo. La configuración como se envía son ciclo Normal, Temperatura de lavado Warm (Tibio) y nivel Auto Water (Agua automático) y Spin Speed (velocidad de centrifugado).

MANTENIMIENTO DE LA LAVADORA

Consejos de funcionamiento

⚠ ADVERTENCIA



Peligro de Incendio

Nunca coloque en la lavadora artículos que estén humedecidos con gasolina o cualquier otro líquido inflamable.

Ninguna lavadora puede eliminar completamente el aceite.

No seque ningún artículo que haya tenido alguna vez cualquier tipo de aceite (incluyendo aceites de cocina).

No seguir estas instrucciones puede ocasionar la muerte, explosión o incendio.

Se recomienda que artículos de fibra de vidrio no se laven en las lavadoras de funcionamiento con monedas. Si estos artículos se lavan en la lavadora, ponga a funcionar la lavadora en un ciclo completo para enjuagar cualquier residuo que pudiera haber quedado en la lavadora.

Transporte de la lavadora

- Cierre ambos grifos de agua. Desconecte y drene el agua de las mangueras de entrada de agua.
- Desconecte la manguera de desagote del sistema de desagote y vacíe el agua restante en una olla o cubeta. Desconecte la manguera de desagüe de la parte posterior de la lavadora.
- Desenchufe el cable eléctrico.
- Coloque las mangueras de entrada y la manguera de desagote en el interior de la canasta de la lavadora.
- Pase el cable eléctrico sobre el borde y colóquelo dentro de la canasta de la lavadora.
- Vuelva a colocar la bandeja de empaque de los materiales de envío originales dentro de la lavadora y reutilice la base de envío para sostener el motor y la tina. Si no tiene el empaque original, ponga sábanas o toallas pesadas arriba de la canasta, entre la parte superior de la lavadora y el anillo de la tina. Cierre la tapa y coloque cinta adhesiva sobre la tapa y por el frente de la lavadora. Mantenga la tapa pegada con cinta adhesiva hasta que se coloque la lavadora en su nueva ubicación.

SI NECESITA ASISTENCIA

Comuníquese con su distribuidor autorizado de lavandería comercial. Para ubicar a su distribuidor autorizado de aparatos de lavandería comercial o para solicitar información por internet, visite www.whirlpoolcommerciallaundry.com.

Si no puede localizar al distribuidor, el Centro de apoyo para lavandería comercial contestará cualquier pregunta que usted tenga acerca del funcionamiento y mantenimiento de la lavadora que no esté cubierta en las Instrucciones de instalación.

Solo llame al **1-866-698-2538** — la llamada es gratis.

Cuando llame, usted necesitará tener a mano el número del modelo y de la serie de la lavadora. Ambos números se encuentran en la placa de clasificación de serie que está ubicada en la lavadora.

PIEZAS Y ACCESORIOS ADICIONALES

Su instalación puede requerir piezas adicionales. Si está interesado en adquirir una de las piezas aquí enlistadas, llame al número gratuito que se encuentra en la sección "Si necesita ayuda".

Si tiene:	Necesitará lo siguiente:
Desagüe en altura	Tina de desagote estándar de 20 gallons (76 L) 39" (990 mm) de altura o lavadero utilitario, bomba de sumidero y conectores (disponible en ferreterías locales)
Tubo vertical de 1" (25 mm)	Adaptador de tubo vertical de 2" (51 mm) de diámetro a 1" (25 mm) de diámetro, pieza número 3363920 juego de conectores, pieza número 285835
Desagüe obstruido por pelusa	Protector del desagote, pieza número 367031 Juego de conectores, pieza número 285835
Sistema de desagüe por el piso	Desvío de sifón, pieza número 285320 Juego de conectores (x2), pieza número 285835. Manguera de desagüe de extensión, pieza número 285863
Desagüe más allá del alcance de la manguera de desagüe	Extensión para manguera de desagüe de 4 pies (1,2 m), pieza número DRNEXT4
Grifos del agua fuera del alcance de las mangueras de llenado	2 mangueras de llenado de agua más largas: manguera con doblez de 90° de 6 pies (1,8 m), pieza número 76314 y de 10 pies (3,0 m), pieza número 8212656RP
Accesorios	
	Bandejas de goteo para lavadora, pieza número 8212526
	Juego del dispensador de suavizante de telas, pieza número 63594

INSTRUCCIONES PARA LA CONFIGURACIÓN DE LOS CONTROLES ELECTRÓNICOS

Funcionamiento básico de la lavadora comercial

- Para obtener información adicional, vea www.whirlpoolcommerciallaundry.com.

⚠ ADVERTENCIA



Peligro de Choque Eléctrico

Desconecte el suministro de energía antes de darle mantenimiento.

Vuelva a colocar todos los componentes y paneles antes de hacerlo funcionar.

No seguir estas instrucciones puede ocasionar la muerte o choque eléctrico.

IMPORTANTE

Componentes electrónicos sensibles a la descarga electrostática (ESD)

Los problemas de descarga electrostática se encuentran presentes en cualquier lugar. Las descargas electrostáticas pueden dañar o debilitar el ensamblaje del control electrónico. El nuevo ensamblaje del control puede parecer que funciona bien después de que se haya terminado la reparación, pero podrían ocurrir fallas en una fecha posterior debido a la tensión provocada por la descarga electrostática.

- Utilice una correa antiestática para muñeca. Conecte la correa para muñeca a un punto verde de conexión a tierra, o a una pieza de metal que no esté pintada en la lavadora.
– O BIEN –

Toque varias veces con el dedo un punto verde de conexión a tierra o una pieza de metal que no esté pintada en la lavadora.

- Antes de sacar la pieza de su paquete, toque un punto verde de conexión a tierra o una pieza de metal sin pintar en la lavadora con la bolsa antiestática.
- Evite tocar las piezas electrónicas o los contactos terminales; manipule el conjunto del control electrónico solamente por los bordes.
- Cuando vuelva a empacar el ensamblaje del control electrónico fallado en una bolsa antiestática, observe las instrucciones anteriores.

INFORMACIÓN GENERAL

Pantalla en blanco

Verifique la energía a la máquina. Ingrese al modo de servicio y compruebe el código de falla.

Aparece "0 minutos" (0 minutos) en la pantalla

Esto indica que el ciclo anterior está completo o se realizó un reinicio en la máquina. Al abrir la tapa, la pantalla volverá al estado Precio de venta o Disponible.

Ajustes predeterminados de fábrica

La lavadora está programada de fábrica como se describe a continuación:

- HEAVY DUTY (Intenso) = Lavado principal con agua caliente - Enjuague profundo - Opción Heavy Soil (Suciedad profunda) activada - Opción Extra Rinse (enjuague adicional) activada - Precio del modelo con MONEDAS establecido en \$2,25.
- MIXED (Mezclada) = Lavado principal con agua tibia - Enjuague profundo - No opciones activadas - Precio del modelo con MONEDAS establecido en \$1,75.
- DELICATES (Ropa delicada) = Lavado principal con agua fría - Enjuague profundo - No opciones activadas - Precio del modelo con monedas establecido en \$1,75.
- NORMAL ECO (Normal Ecológico) = Lavado principal con agua caliente - Enjuague de rociado progresivo - No opciones activadas - Precio del modelo con monedas establecido en \$1,75.

Consulte los ajustes de ciclo en el menú del programa para cambiar los ajustes predeterminados.

Inicio en caliente (después de un corte de corriente)

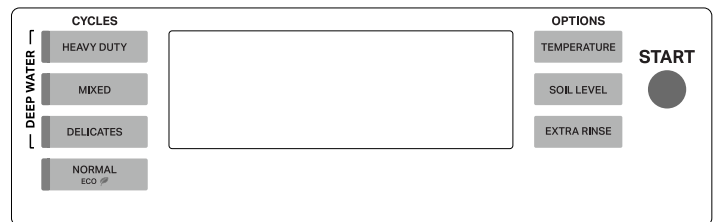
Después de un retraso de hasta 8 segundos, la lavadora volverá a la porción del ciclo existente en el momento del corte de corriente. Para continuar, presione START (Inicio).

Ciclos gratuitos

Esta opción se fija programando el precio del ciclo en cero. Cuando esto sucede, aparecerá SELECT CYCLE (Seleccionar ciclo) y el precio aparecerá como 0.00.

Pantalla

Una vez instalada y enchufada la lavadora, la pantalla mostrará "SYnC" durante unos segundos y luego "0 MINUTES" (0 minutos). Una vez que la lavadora se ha enchufado y la puerta de esta se ha abierto y cerrado, la pantalla mostrará el precio. En las lavadoras que se hayan programado para dar ciclos gratuitos, destellará "SELECT CYCLE" (Seleccionar ciclo) y aparecerá "PRICE 0.00" (Precio 0,00).



Procedimientos de programación del control

IMPORTANTE: Lea todas las instrucciones antes de usarlo.

Los botones inferiores para la selección de telas y la pantalla digital se usan para la programación de los controles. En la pantalla se pueden mostrar cuatro números y/o letras y un punto decimal. Estos se usan para indicar los códigos de la programación y los valores de los códigos relacionados, los cuales se usan para programar la lavadora.

Cómo utilizar los botones para programar los controles

1. El botón HEAVY DUTY (Intenso) se usa para ajustar los valores asociados con los códigos de programación. Al presionar el botón, el valor aumentará.

Se puede hacer ajustes rápidamente si se mantiene presionado el botón.

2. El botón MIXED (Mixtas) le permite avanzar a través de los códigos de programación. Al presionar el botón, se avanza al siguiente código de programación disponible. Al mantener presionado el botón, se avanza automáticamente a través de los códigos de programación a una velocidad de uno por segundo.
3. El botón DELICATES (Ropa delicada) se utiliza para seleccionar o quitar opciones.
4. El botón TEMPERATURE (Temperatura) se usa para disminuir el valor del código de configuración.

Programación para comenzar a usar

- Modelo con MONEDA: Inserte la llave de acceso para la puerta, gírela y levante para quitar la puerta de acceso.

La lavadora se encuentra ahora en el modo de programación.

Antes de continuar, es importante mencionar que a pesar de todas las opciones disponibles, el dueño puede simplemente elegir desempacar una unidad comercial nueva, hacer las conexiones necesarias, conectarla al suministro de energía y tener una lavadora que funciona.

Códigos de programación

El código de programación se indica con uno o dos caracteres al lado izquierdo. El valor del código de programación se indica con uno o dos caracteres al lado derecho.

NOTA: Los códigos de configuración marcados con * pueden transferirse de una máquina a otra (deben ser del mismo tipo de modelo) por medio de una memoria USB.

CÓDIGO	EXPLICACIÓN
6.07 MIXED (Mixtas)	Cantidad para iniciar el ciclo MIXED (Mixtas)*. Representa el número de monedas o débito que se requiere para iniciar el ciclo. Consulte Valor de la moneda 1. Ajustable de 0 a 200.
→ Presione el botón MIXED (Mixtas) una vez para avanzar al siguiente código.	
6.07 DELICATES (Ropa delicada)	Monto para iniciar el ciclo DELICATES (Ropa delicada)*. Representa el número de pulsos de monedas o débito necesarios para iniciar el ciclo base. Consulte Valor de la moneda 1. Ajustable de 0 a 200.
→ Presione el botón MIXED (Mixtas) una vez para avanzar al siguiente código.	
6.09 HEAVY DUTY (Intenso)	Monto para iniciar el ciclo HEAVY DUTY (intenso)*. Representa el número de monedas o débito que se requiere para iniciar el ciclo. Consulte Valor de la moneda 1. Ajustable de 0 a 200.
→ Presione el botón MIXED (Mixtas) una vez para avanzar al siguiente código.	
6.07 NORMAL ECO	Monto para iniciar el ciclo NORMAL ECO*. Representa el número de pulsos de monedas o débito necesarios para iniciar el ciclo base. Consulte Valor de la moneda 1. Ajustable de 0 a 200.
→ Presione el botón MIXED (Mixtas) una vez para avanzar al siguiente código.	
2.00	PANTALLA PARA ENTRAR AL SUBMENÚ DEL MODO AYUDA
2.00	Entre al submenú oprimiendo el botón HEAVY DUTY (Intenso). Salga del submenú oprimiendo el botón HEAVY DUTY (Intenso).
→ Presione el botón MIXED (Mixtas) una vez para avanzar al siguiente código.	

CONFIGURACIÓN DE CONTROLES A TRAVÉS DE USB

Para acceder al menú de configuración de USB, navegue hasta el código de configuración 2.xx. Cuando oprime el botón HEAVY DUTY (Intenso) se activa el submenú del modo de ayuda. El primer submodo dentro del modo de ayuda es la opción USB. Presione el botón HEAVY DUTY (Intenso) en cualquier momento para salir del modo de ayuda.

SUBMODO	DESCRIPCIÓN	NOTA
USB	Mientras está en esta pantalla, presione el botón HEAVY DUTY (Intenso) para ingresar al menú USB. El menú USB permite actualizar el software e importar/exportar la configuración de la máquina.	Permite al usuario ingresar al menú USB. Consulte la sección MENÚ USB para obtener más información.

MENÚ USB

Mientras está en la pantalla USB, presione el botón HEAVY DUTY (Intenso). Para avanzar por el submenú USB, utilice el botón MIXED (Mixta). El botón DELICATES (Ropa delicada) el botón Seleccionar. Presione el botón HEAVY DUTY (Intenso) en cualquier momento para salir del menú de USB.

Consulte la página 34 para conocer la ubicación del puerto USB en el dispositivo y las instrucciones sobre cómo instalar una memoria USB y extraerla del aparato.

CÓDIGO	EXPLICACIÓN
U0.00	¿Está la unidad USB insertada? (Solo estado).
U0.00	Esto se mostrará si la unidad USB NO se detecta.
U0.01	Esto se mostrará si la unidad USB se detectó.
→ Presione el botón MIXED (Mixtas) una vez para avanzar al siguiente código.	
U1.00	Modo de programación
U1.00	Esto se mostrará si la unidad USB no se detecta.

CÓDIGO	EXPLICACIÓN
U1.01	Esto se mostrará si la unidad USB se detectó. Si desea reprogramar los controles presione el botón DELICATES (Ropa delicada) tres veces. La pantalla alternará entre U1.01 y ProG mientras se actualiza ACU o U1.01 y --.-- mientras se actualiza la interfaz de usuario. Espere hasta que el proceso esté completo, esto podría tomar varios minutos. Una vez que el software se haya descargado correctamente en la máquina, el control puede tardar varios minutos en reiniciarse. Una vez que termine el reinicio, la máquina volverá al modo del cliente o modo de servicio en función del estado del interruptor de servicio.
FCE4 o FCE5	Si la programación del software no tuvo éxito, la pantalla alternará entre U1.01 y FCE4 o FCE5.
→ Presione el botón MIXED (Mixtas) una vez para avanzar al siguiente código.	
U2.00	Exportar los ajustes de la máquina a la unidad USB.
U2.00	Esto se mostrará si la unidad USB no se detecta.
U2.01	Esto se mostrará si la unidad USB se detectó. Si desea exportar la configuración de la máquina a una unidad USB, presione el botón DELICATES (Ropa delicada) tres veces. La pantalla alternará entre U2.01 y --.-- mientras la exportación está en proceso.
donE	La pantalla alternará entre U2 y donE cuando la exportación finalice correctamente.
FCE4 o FCE5	Si la exportación no tuvo éxito, la pantalla alternará entre U2.01 y FCE4 o FCE5.
→ Presione el botón MIXED (Mixtas) una vez para avanzar al siguiente código.	
U3.00	Importar los ajustes de la máquina desde la unidad USB.
U3.00	Importar los ajustes de la máquina desde la unidad USB.
U3.01	Esto se mostrará si la unidad USB se detectó. Si desea importar los ajustes de la máquina de una unidad USB a la máquina, presione el botón DELICATES (Ropa delicada) tres veces. La pantalla alternará entre U3.01 y --.-- mientras la importación está en proceso.
donE	La pantalla alternará entre U3 y donE cuando la importación finalice correctamente.
FCE4 o FCE5	Si la importación no tuvo éxito, la pantalla alternará entre U3.01 y FCE4 o FCE5.
→ Presione el botón MIXED (Mixtas) una vez para recorrer el inicio de este menú.	
U4.00	Exportación de los datos de auditoría de la máquina a una unidad USB.
U4.00	Esto se mostrará si la unidad USB no se detecta
U4.01	Esto se mostrará si la unidad USB se detectó. Si desea exportar los datos de auditoría de la máquina a una unidad USB, pulse el botón DELICATES (Ropa delicada) tres veces. La pantalla alternará entre U4.01 y --.-- mientras la exportación está en proceso.
donE	La pantalla alternará entre U4.01 y donE cuando la exportación finalice correctamente.
FCE4 o FCE5	Si la exportación no tuvo éxito, la pantalla alternará entre U4.01 y FCE4 o FCE5.

FIN DE LOS PROCEDIMIENTOS DE CONFIGURACIÓN

CÓMO SALIR DEL MODO DE PROGRAMACIÓN

■ Modelo con MONEDA: Vuelva a instalar la puerta de acceso.

NOTA: Si un ciclo de servicio está en progreso al salir del modo de servicio, el ciclo se completará normalmente y se mostrará la información del estado del ciclo. La pantalla reanudará el modo de funcionamiento normal del cliente cuando finalice el ciclo.

CÓMO ACCEDER AL PUERTO USB

Cómo acceder al puerto USB en el dispositivo si usa una memoria USB para cambiar la configuración de los controles electrónicos

⚠ ADVERTENCIA



Peligro de Choque Eléctrico

Desconecte el suministro de energía antes de darle mantenimiento.

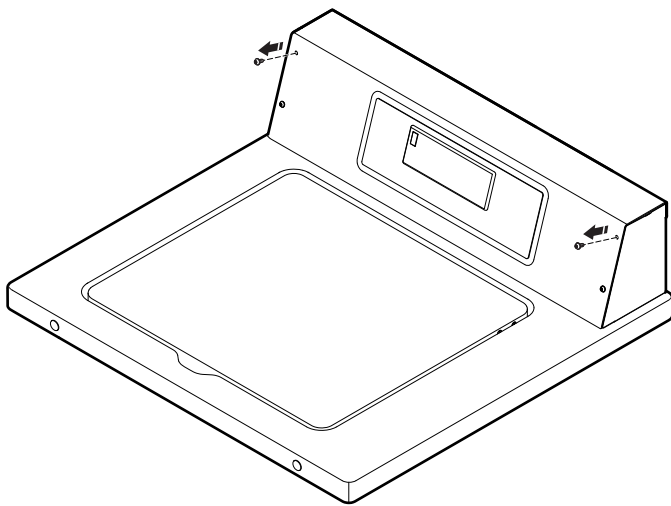
Vuelva a colocar todos los componentes y paneles antes de hacerlo funcionar.

No seguir estas instrucciones puede ocasionar la muerte o choque eléctrico.

Para instalar o quitar una memoria USB

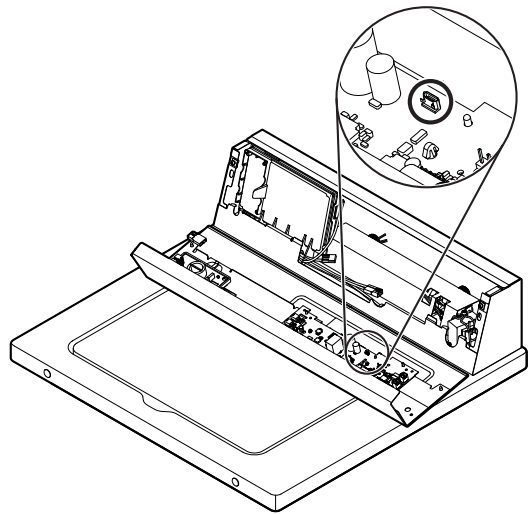
El puerto USB se encuentra en la placa de control de pantalla.

1. Quite los dos tornillos para permitir que el panel frontal gire hacia afuera del aparato.

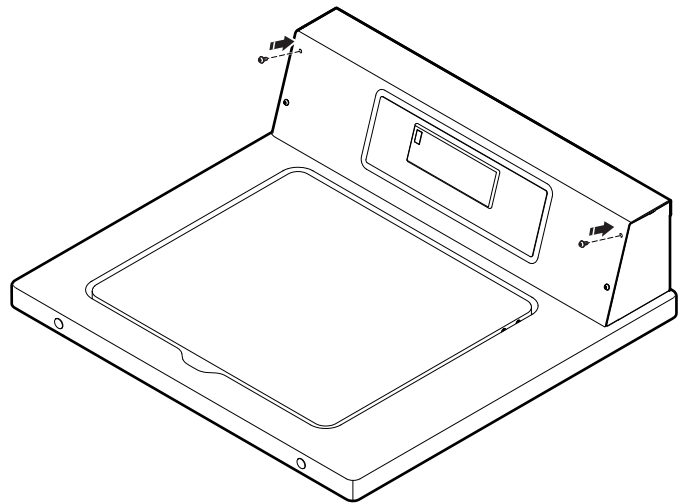


2. Coloque el panel frontal hacia abajo en el panel superior del aparato para proporcionar acceso a la placa de control de la interfaz de usuario.

3. Instale la unidad USB en el puerto USB o retírela del lugar.



4. Vuelva a colocar el panel frontal en el aparato con los dos tornillos que quitó antes.



⚠ ADVERTENCIA



Peligro de Choque Eléctrico

Conecte a un contacto de pared de conexión a tierra de 3 terminales.

No quite la terminal de conexión a tierra.

No use un adaptador.

No use un cable eléctrico de extensión.

No seguir estas instrucciones puede ocasionar la muerte, incendio o choque eléctrico.

5. Conecte el aparato a un contacto de pared de conexión a tierra de 3 terminales o reconecte el suministro de energía.

NOTAS

NOTAS

NOTAS

NOTAS

NOTAS

