

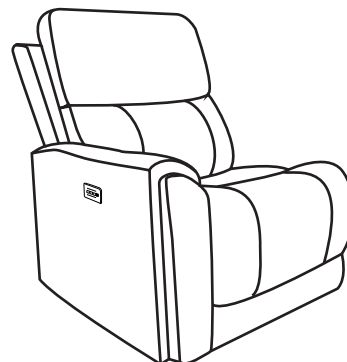
# FLEXSTEEL®

## LAF Recliner with Power Headrest and Lumbar

### IMPORTANT NOTE

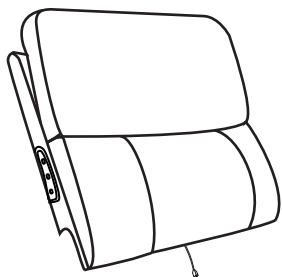
Read these instructions carefully, and familiarize yourself with each procedure before assembling the furniture. Check that you have all the component parts, and familiarize yourself with each part before proceeding.

Take all the fittings out of the plastic bag and separate them into groups. Ensure you have enough space to lay out all the parts before assembly. To prevent damage to the parts, we recommend that you assemble the unit on a soft, level surface.



### Part List

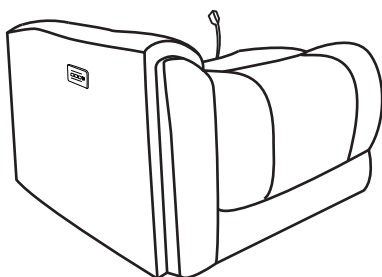
- A. Back Cushion  
1 piece



- C. Wing  
1 piece



- B. Seat Cushion  
1 piece



- D. Transformer



### Assembly Instructions

#### STEP 1

Detach the transformer from the back rail of the mech under the seat (B). (See Figure 1.)

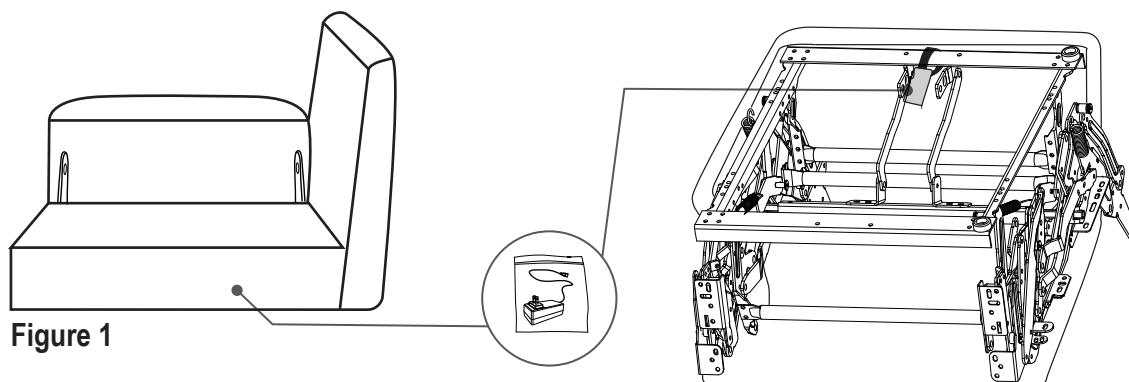
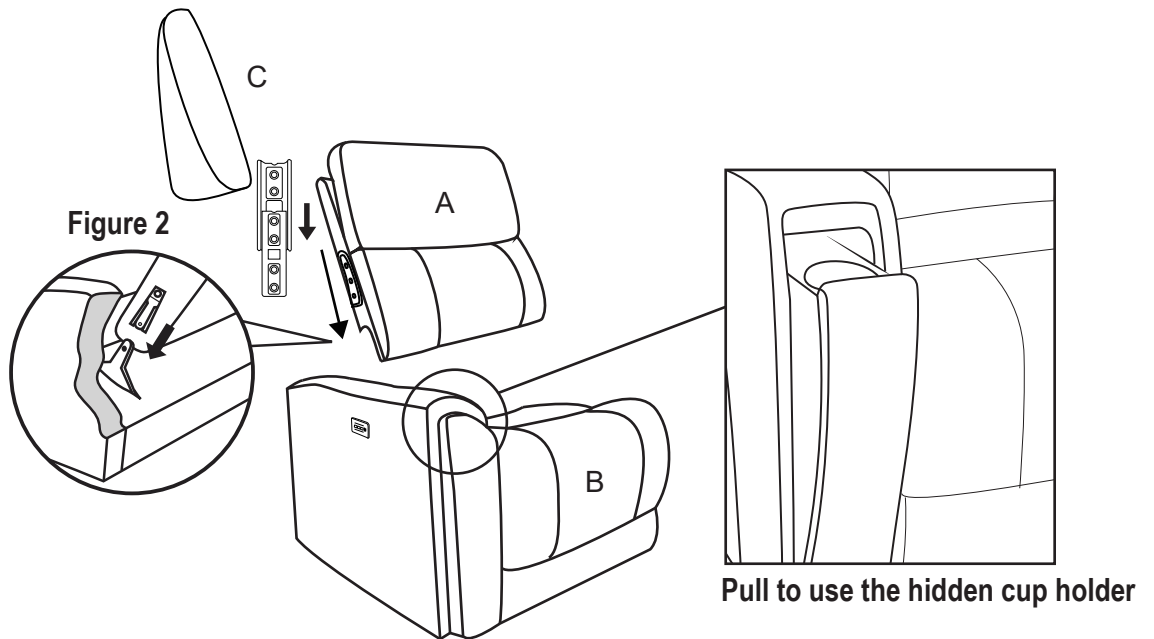


Figure 1

# Assembly Instructions

## STEP 2

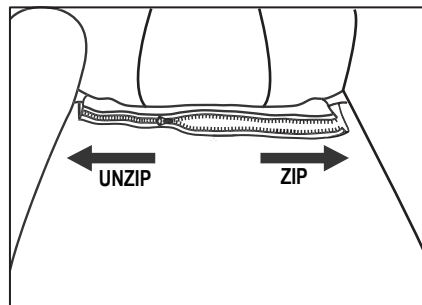
Attach the Back (A) to the Seat (B). Ensure the latches fit well. (See Figure 2.)



## STEP 3

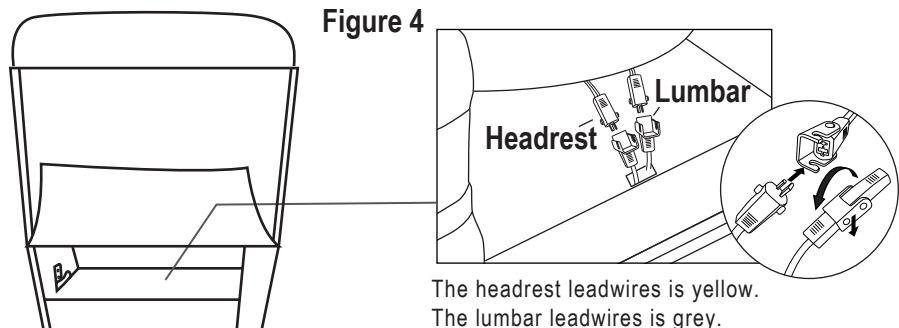
Zip up the seat cushion and back cushion. (See the Figure 3.)

Figure 3



## STEP 4

Flip up the back flap and remove the cables from the Backs (A). Plug all the connectors. (See the Figure 4.)

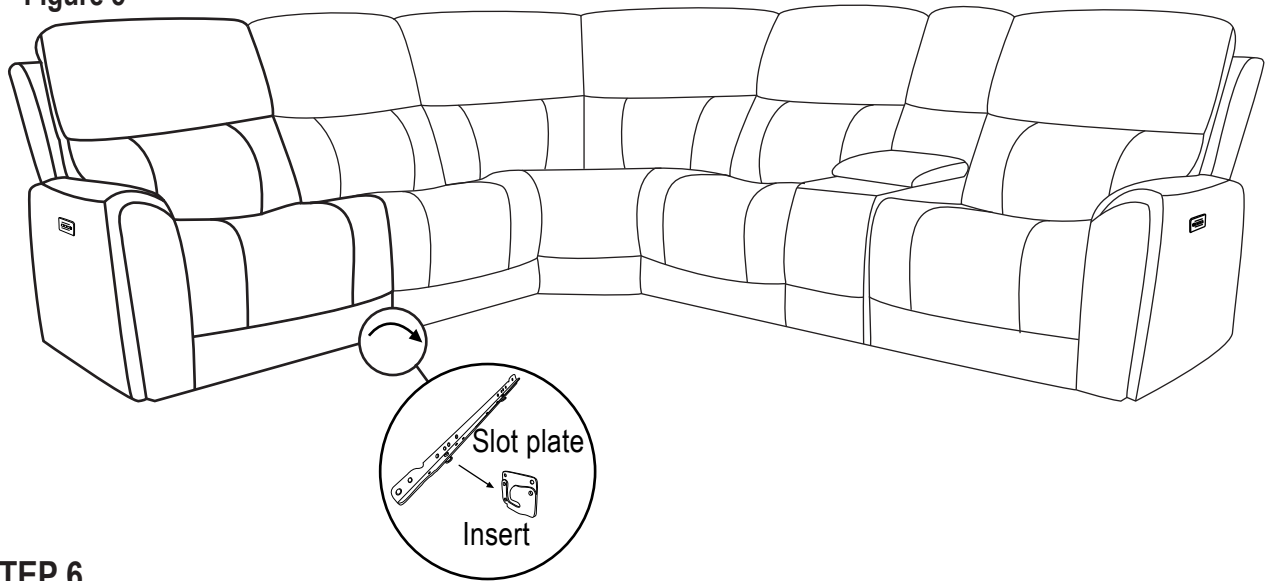


## STEP 5

You can connect two or more recliners by connecting each position with male and female buckle as Figure 5 illustrated.

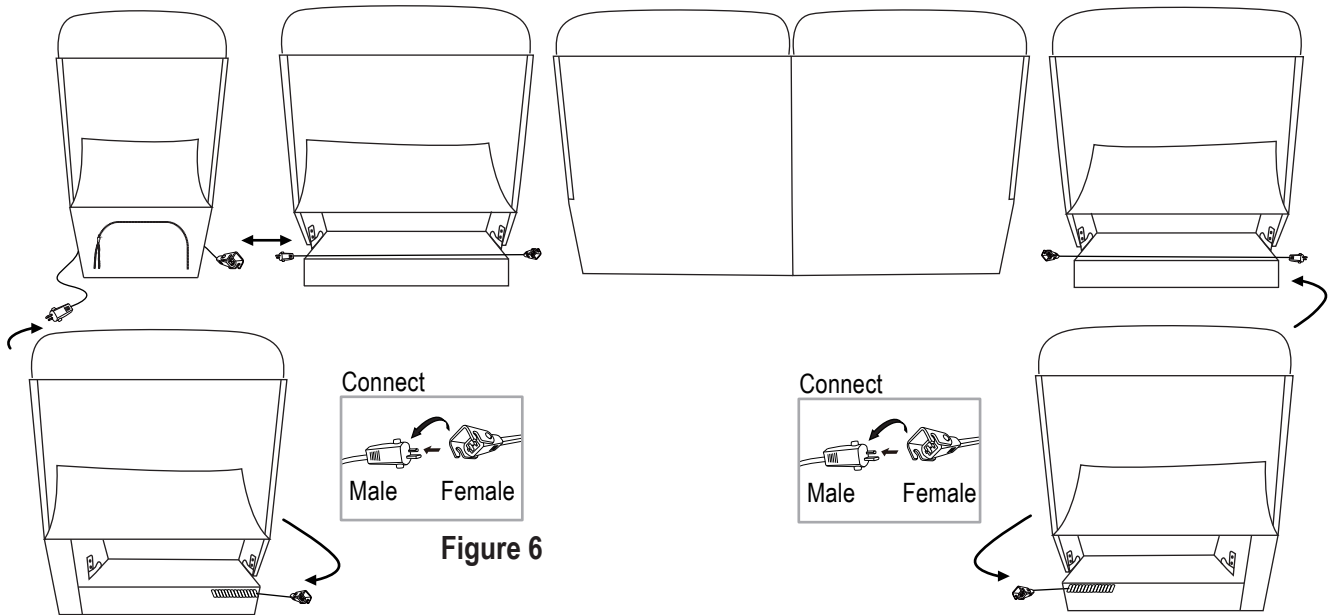
# Assembly Instructions

Figure 5



## STEP 6

Connecting power cords with each position. (See Figure 6.)



## STEP 7

Plug the end cord of transformer into the recliner, Then plug the transformer into a nearby outlet. Make sure the cord doesn't touch the mechanism.(See Figure 7.)

Figure 7

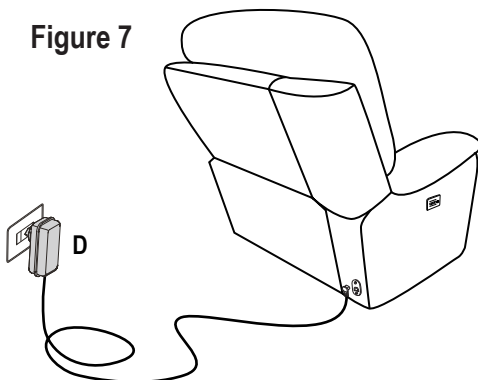
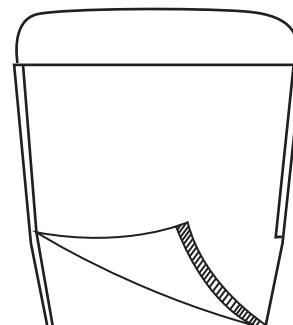


Figure 8



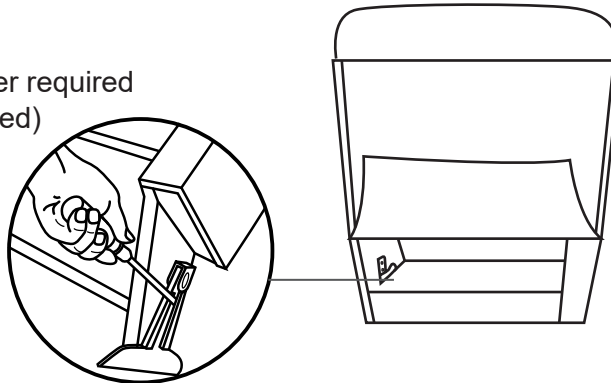
## STEP 8

Fasten the back flap to the bottom of the furniture. (See Figure 8.)

## Disassembly Instructions

To remove the back from the base, use a screwdriver pressing outward on the black tab in the metal receivers on both sides of the chair back and lift the back from the base of the chair to release.

Screwdriver required  
(not included)



## Troubleshooting

PROBLEM	POSSIBLE FACTORS	SOLUTIONS
Chair doesn't recline	Transformer may not be connected well	<ul style="list-style-type: none"> <li>• Check that the power supply has been correctly connected to transformer and socket</li> <li>• Confirm the wire from chair to transformer is firmly connected</li> </ul>
Recliner power not working	Power outlet on wall not functioning	<ul style="list-style-type: none"> <li>• Check power from your wall outlet</li> <li>• Plug in a different device to make sure outlet has power</li> </ul>
Headrest or lumbar doesn't work*	Headrest or lumbar motor wires may not be properly connected inside back flap of chair	<ul style="list-style-type: none"> <li>• Check that the headrest (yellow) and lumbar (grey) motor wires have been correctly connected</li> </ul> <p><b>Connecting the wires to their correct color is extremely important</b></p>
Headrest and lumbar doesn't work*	Headrest and lumbar motor plug have been cross connected	<ul style="list-style-type: none"> <li>• Check that the headrest (yellow) and lumbar (grey) motor wires have been correctly connected</li> </ul> <p><b>Connecting the wires to their correct color is extremely important</b></p>

Product Protected By Following Patents:  
 Patented Articulating Power Headrest & Lumbar  
 US Patent: 10,736,423  
 Patented Power Hidden Cupholder  
 US Patent: 10,681,987