

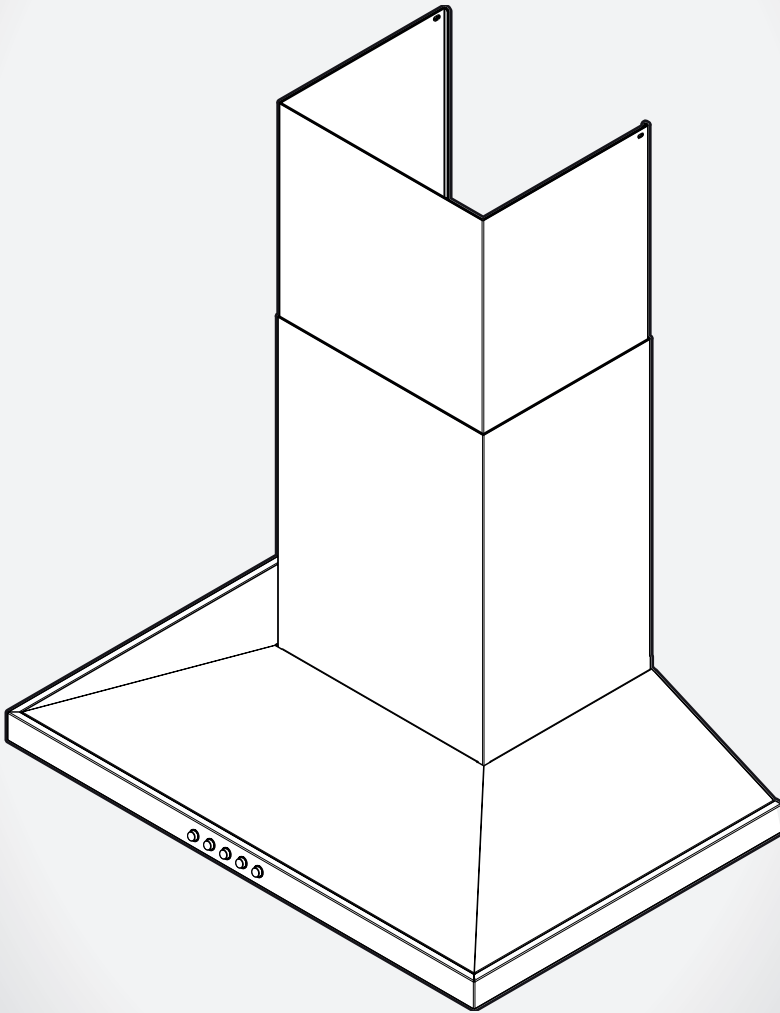
# Use, Care, and Installation Guide

---

Guide  
d'utilisation,  
d'entretien et  
d'installation

---

Guía de  
instalación, uso y  
mantenimiento



READ AND SAVE THESE  
INSTRUCTIONS

---

LISEZ CES  
INSTRUCTIONS ET  
CONSERVEZ-LES

---

LEA Y CONSERVE  
ESTAS INSTRUCCIONES

**Model:** | ELV430SS  
| ELV436SS

APPROVED FOR RESIDENTIAL APPLIANCES  
FOR RESIDENTIAL USE ONLY

## Table of Contents

Tools and Parts	3
Electrical Requirements	4
Venting Requirements	4
Installation Instructions	5
Installing the Range Hood	6
Connect Vent System	6
Electrical Connection	6
Install Duct Covers	7
Complete Installation	7
Description of the Hood	7
Control	7
Range Hood Care	8
WARRANTY	9

**PLEASE READ ENTIRE INSTRUCTIONS BEFORE PROCEEDING.  
INSTALLATION MUST COMPLY WITH ALL LOCAL CODES.**

**IMPORTANT:** Save these Instructions for the Local Electrical Inspector's use.

**INSTALLER:** Please leave these Instructions with this unit for the owner.

**OWNER:** Please retain these instructions for future reference.

**Safety Warning:** Disconnect the electrical power supply from the service panel and lock it before proceeding with the wiring.

Requirement 120 VAC, 60 Hz. 15 or 20 A Branch Circuit

## IMPORTANT SAFETY INSTRUCTIONS

### CAUTION

FOR GENERAL VENTILATING USE ONLY. DO NOT USE TO EXHAUST HAZARDOUS OR EXPLOSIVE MATERIALS AND VAPOURS.

**WARNING:** TO REDUCE THE RISK OF FIRE, ELECTRIC SHOCK, OR INJURY TO PERSONS, OBSERVE THE FOLLOWING:

- Use this unit only in the manner intended by the manufacturer. If you have questions, contact the manufacturer.
- Before servicing or cleaning unit, switch power off at service panel and lock the service disconnecting means to prevent power from being switched on accidentally. When the service disconnecting means cannot be locked, securely fasten a prominent warning device, such as a tag, to the service panel.

**WARNING:** TO REDUCE THE RISK OF FIRE, ELECTRIC SHOCK, OR INJURY TO PERSONS, OBSERVE THE FOLLOWING:

- Installation work and electrical wiring must be done by qualified person(s) in accordance with all applicable codes and standards, including fire-rated construction.
- Sufficient air is needed for proper combustion and exhausting of gases through the flue (chimney) of fuel burning equipment to prevent back drafting. Follow the heating equipment manufacturer's guideline and safety standards such as those published by the National Fire Protection Association (NFPA), and the American Society for Heating, Refrigeration and Air Conditioning Engineers (ASHRAE), and the local code authorities.
- When cutting or drilling into wall or ceiling, do not damage electrical wiring and other hidden utilities.
- Ducted fans must always be vented to the outdoors.

**CAUTION:** To reduce risk of fire and to properly exhaust air, be sure to duct air outside - do not vent exhaust air into spaces within walls or ceilings, attics or into crawl spaces, or garages.

**WARNING:** To reduce the risk of fire or electrical shock, do not use this fan with any solid-state speed control device.

**WARNING:** TO REDUCE THE RISK OF FIRE, USE ONLY METAL DUCTWORK

**NOTE:** Before any cleaning or maintenance operation, disconnect hood from the mains by removing the plug or disconnecting the mains electrical supply.

**WARNING:** TO REDUCE THE RISK OF A RANGE TOP GREASE FIRE:

- Never leave surface units unattended at high settings. Boilovers cause smoking and greasy spillovers that may ignite. Heat oils slowly on low or medium settings.

- Always turn hood ON when cooking at high heat or when flambeing food (i.e. Crepes Suzette, Cherries Jubilee, Peppercorn Beef Flambe').
- Clean ventilating fans frequently. Grease should not be allowed to accumulate on fan or filter.

- Use proper pan size. Always use cookware appropriate for the size of the surface element.

**NOTE:** Always wear work gloves for all installation and maintenance operations

**WARNING:** To Reduce The Risk Of Fire And Electric Shock, Install This Rangehood Only With Remote Blower Models Rated Maximum (Current and/or Horsepower) Or Integral Blowers Manufactured by (Manufacturer's Name), Model(s) (Name of Appliance).

Note: a Maximum recommended remote blower rating

**WARNING:** TO REDUCE THE RISK OF INJURY TO PERSONS IN THE EVENT OF A RANGE TOP GREASE FIRE, OBSERVE THE FOLLOWING:<sup>a</sup>

- SMOTHER FLAMES with a close-fitting lid, cookie sheet, or metal tray, then turn off the burner. BE CAREFUL TO PREVENT BURNS. If the flames do not go out immediately, EVACUATE AND CALL THE FIRE DEPARTMENT.
- NEVER PICK UP A FLAMING PAN – You may be burned.
- DO NOT USE WATER, including wet dishcloths or towels – a violent steam explosion will result.
- Use an extinguisher ONLY if:

- You know you have a Class ABC extinguisher, and you already know how to operate it.
- The fire is small and contained in the area where it started.
- The fire department is being called.
- You can fight the fire with your back to an exit.

<sup>a</sup>Based on "Kitchen Fire Safety Tips" published by NFPA.

**NOTE:** This appliance is not intended for use by persons (including children) with reduced physical, sensory or mental capabilities, or lack of experience and knowledge, unless they have been given supervision or instruction concerning use of the appliance by a person responsible for their safety.

**NOTE:** Children should be supervised to ensure that they do not play with the appliance

**CAUTION:** Use only with rangehood cord-connection kits that have been investigated and found acceptable for use with this model rangehood.

- Do not operate any fan with a damaged cord or plug. Discard fan or return to an authorized service facility for examination and/or repair.
- Do not run cord under carpeting. Do not cover cord with throw rugs, runners, or similar coverings. Do not route cord under furniture or appliances. Arrange cord away from traffic area and where it will not be tripped over.

# READ AND SAVE THESE INSTRUCTIONS

## TOOLS AND PARTS

### Parts supplied

#### Removing the packaging


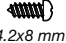
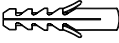
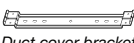
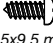
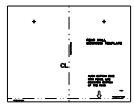
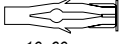

#### CAUTION!

Remove carton carefully, wear gloves to protect against sharp edges.

#### WARNING!

Remove the protective film covering the product before putting into operation.

- Hood canopy assembly with blower and LED lamps already installed.
- 6" (15.2 cm) round air transition
- Duct covers
- Hardware bag with:

Part	Qty	Part	Qty
 5x45 mm	6	 4.2x8 mm	4
 8x40 mm	6	 Duct cover bracket	1
 3.5x9.5 mm	2	 Mounting template	1
 10x60 mm	4	 5.4 x 75 mm	4

#### Tools/Materials required

- Level
- Drill with 1/4" (3.2 cm), 1/8" (3.2 mm), and 1/16" (4, 8 mm) drill bits
- Pencil
- Wire stripper or utility knife
- Tape measure or ruler
- Pliers
- Caulking gun and weatherproof caulking compound
- Vent clamps
- Jigsaw or keyhole saw
- Flat-blade screwdriver
- Metal snips
  - Phillips
  - Torx 20 screwdriver

#### Parts needed

- Home power supply cable
- 1/2" (12.7 mm) UL listed or CSA approved strain relief
- 2 UL listed wire connectors

#### For vented installations, you will also need:

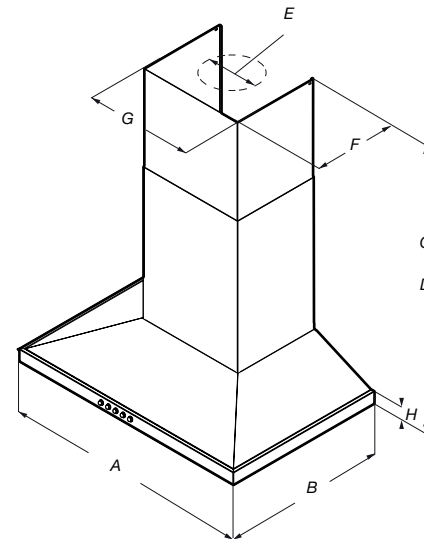
- 1 wall or roof cap
- Metal vent system

## PARTS NOT SUPPLIED

#### Optional Accessories

Kit	# Part	Kit	# Part
<b>No Return Valve Kit</b>	KIT0102873	<b>CFM Reduction Kit</b>	KIT02748
<b>Recirculating Kit</b>	KIT0102875	<b>Long Chimney Extension Kit</b>	KIT01935

## PRODUCT DIMENSIONS



	ELV430SS	ELV436SS
A	30" (76 cm)	36" (91.2 cm)
B	19 <sup>1</sup> / <sub>16</sub> " (50 cm)	
C*	max. 42 <sup>9</sup> / <sub>16</sub> " (108.1 cm) min. 28 <sup>17</sup> / <sub>64</sub> " (71.8 cm)	
D**	max. 38 <sup>45</sup> / <sub>64</sub> " (98.3 cm) min. 24 <sup>39</sup> / <sub>64</sub> " (62.5 cm)	
E	6" (15.24 cm)	
F	10 <sup>9</sup> / <sub>32</sub> " (26.9 cm)	
G	13 <sup>5</sup> / <sub>64</sub> " (33.2 cm)	
H	1 <sup>37</sup> / <sub>64</sub> " (4 cm)	

\*For non-vented (recirculating installations)

\*\*For vented installations

## ELECTRICAL REQUIREMENTS

### IMPORTANT

Observe all governing codes and ordinances.

It is the customer's responsibility:

To contact a qualified electrical installer.

To assure that the electrical installation is adequate and in conformance with National Electrical Code, ANSI/NFPA 70 — latest edition\*, or CSA Standards C22.1-94, Canadian Electrical Code, Part 1 and C22.2 No.0-M91 - latest edition\*\* and all local codes and ordinances.

If codes permit and a separate ground wire is used, it is recommended that a qualified electrician determine that the ground path is adequate.

A copy of the above code standards can be obtained from:

National Fire Protection Association

1 Batterymarch Park

Quincy, MA 02169-7471

CSA International

8501 East Pleasant Valley Road

Cleveland, OH 44131-5575

A 120 volt, 60 Hz., AC only, 15-amp, fused electrical circuit is required.

▪ If the house has aluminum wiring, follow the procedure below:

1. Connect a section of solid copper wire to the pigtail leads.
2. Connect the aluminum wiring to the added section of copper wire using special connectors and/or tools designed and UL listed for joining copper to aluminum.

Follow the electrical connector manufacturer's recommended procedure. Aluminum/copper connection must conform with local codes and industry accepted wiring practices.

- Wire sizes and connections must conform with the rating of the appliance as specified on the model/serial rating plate. The model/serial plate is located behind the filter on the rear wall of the range hood.
- Wire sizes must conform to the requirements of the National Electrical Code, ANSI/NFPA 70 (latest edition), or CSA Standards C22.1-94, Canadian Electrical Code, Part 1 and C22.2 No. 0-M91 (latest edition and all local codes and ordinances).

If provided with an electrical plug, connect the hood to a receptacle that complies with current regulations and placed in an accessible position. Where an electrical plug is not provided (direct connection to electrical network) or the plug will not be in an accessible position after installation, place an approved bipolar switch in accessible position that provides full disconnection under overvoltage category III conditions, in accordance with local wiring rules.

## VENTING REQUIREMENTS

### (ducted models only)

- Vent system must terminate to the outdoors, except for non vented (recirculating) installations.
- Do not terminate the vent system in an attic or other enclosed area.
- Do not use 4" (10.2 cm) laundry-type wall cap.
- Use metal vent only. Rigid metal vent is recommended. Plastic or metal foil vent is not recommended.
- The length of vent system and number of elbows should be kept to a minimum to provide efficient performance.

### For the most efficient and quiet operation:

- Use no more than three 90° elbows.
- Make sure there is a minimum of 24" (61 cm) of straight vent between the elbows if more than 1 elbow is used.
- Do not install 2 elbows together.
- Use clamps to seal all joints in the vent system.
- The vent system must have a damper. If the roof or wall cap has a damper, do not use the damper supplied with the range hood.
- Use caulking to seal exterior wall or roof opening around the cap.
- The size of the vent should be uniform.

### Venting Methods

This canopy hood is factory set for venting through the roof or wall. A 6" (15.2 cm) round vent system is needed for installation (not included). The hood exhaust opening is 6" (15.2 cm) round.

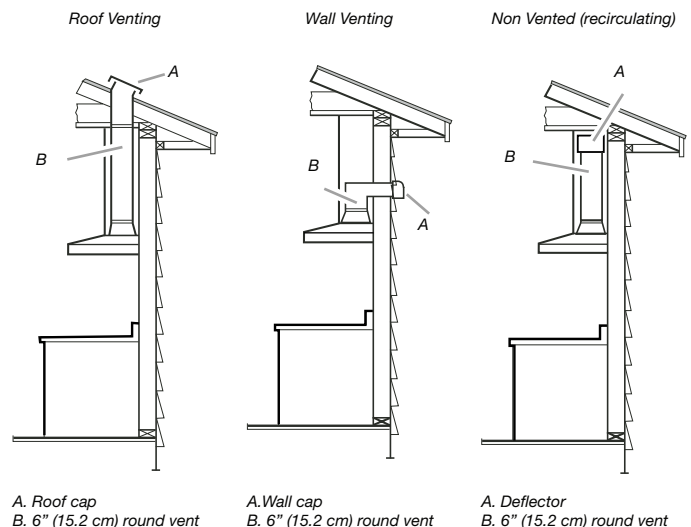
**NOTE:** Flexible vent is not recommended. Flexible vent creates back pressure and air turbulence that greatly reduce performance. Vent system can terminate either through the roof or wall. To vent through a wall, a 90° elbow is needed.

### Rear discharge

A 90° elbow may be installed immediately above the hood.

### For Non-Vented (recirculating) Installations

If it is not possible to vent cooking fumes and vapors to the outside, the hood can be used in the non-vented (recirculating) version, fitting a charcoal filter and the deflector. Fumes and vapors are recycled through the top grille.



# INSTALLATION INSTRUCTIONS

## Prepare Location

- It is recommended that the vent system be installed before hood is installed.
  - Before making cutouts, make sure there is proper clearance within the ceiling or wall for exhaust vent.
  - Check your ceiling height and the hood height maximum before you select your hood.
1. Disconnect power.
  2. Determine which venting method to use: roof, wall, or nonvented.
  3. Select a flat surface for assembling the range hood. Place covering over that surface.

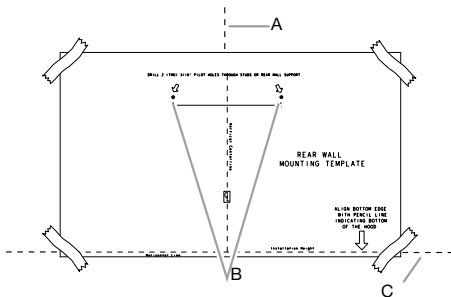
### WARNING

**TO REDUCE THE RISK OF FIRE, ELECTRIC SHOCK, OR INJURY TO PERSONS, OBSERVE THE FOLLOWING**

4. Using 2 or more people, lift range hood onto covered surface.

## Range hood mounting screws installation

1. Determine and mark the centerline on the wall where the canopy hood will be installed. Disconnect power.
2. Select a mounting height between a minimum of 24" (60.9 cm) for an electric cooking surface, a minimum of 30" (76.2 cm) for a gas cooking surface, and a suggested maximum of 36" (91.4 cm) above the range to the bottom of the hood. Mark a reference line on the wall.
3. Tape template in place, aligning the template centerline and bottom of template with hood bottom line and with the centerline marked on the wall.

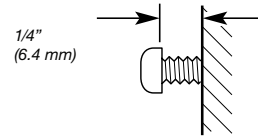


A. Centerline  
B. Fastener locations  
C. Mounting height reference (hood bottom line)

4. Mark centers of the fastener locations through the template to the wall.

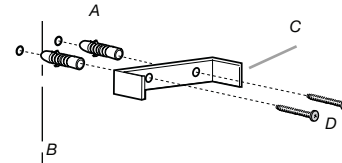
**IMPORTANT:** All screws must be installed into wood. If there is no wood to screw into, additional wall framing supports may be required.

5. Remove the template.
6. Drill  $\frac{3}{16}$ " (4.8 mm) pilot holes at all locations where screws are being installed into wood.
7. Install the 2 - 5 x 45 mm mounting screws. Leave a  $\frac{1}{4}$ " (6.4 mm) gap between the wall and the back of the screw head to slide range hood into place.



### Vent cover bracket installation

1. Attach vent cover bracket to wall flush to the ceiling using 2 - 5 x 45 mm screws.



A. 8 x 40 mm drywall anchors  
B. Centerline on wall  
C. Vent cover support bracket  
D. 5 x 45 mm screws

### Complete Preparation

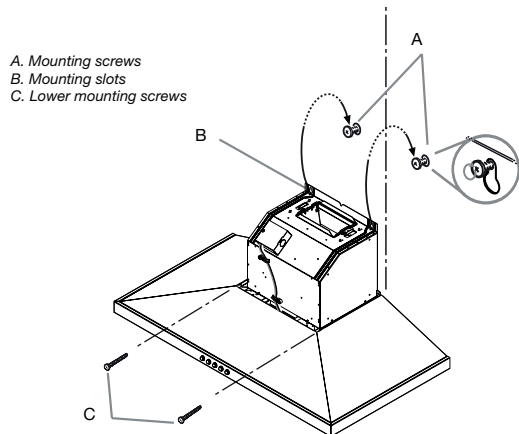
1. Determine and make all necessary cuts in the wall for the vent system. Install the vent system before installing the hood. See "Venting Requirements" section.
2. Determine the required height for the home power supply cable and drill a  $1\frac{1}{4}$ " (3.2 cm) hole at this location.
3. Run the home power supply cable according to the National Electrical Code or CSA Standards and local codes and ordinances. There must be enough  $\frac{1}{2}$ " conduit and wires from the fused disconnect (or circuit breaker) box to make the connection in the hood's electrical terminal box.

**NOTE:** Do not reconnect power until installation is complete.

4. Use caulk to seal all openings.
5. Remove plastic bag with styrofoam located behind the blower motor from inside the hood.

## INSTALLING THE RANGE HOOD

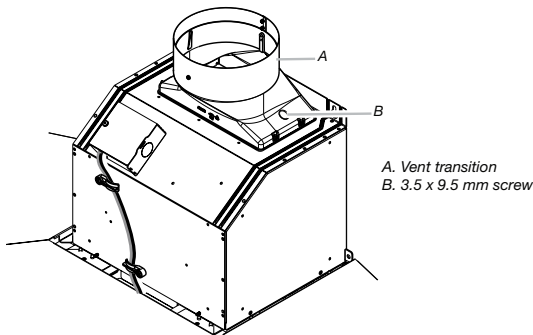
- Using 2 or more people, hang range hood on 2 mounting screws through the mounting slots on back of hood.



- Mark with a pencil the lower mounting holes location.
- Uninstall the hood assembly, and drill  $\frac{3}{16}$ " (4.8 mm) pilot holes at marked locations.
- Hang the range hood again on 2 upper mounting screws.
- Level the range hood and tighten upper mounting screws.
- Install 2 - 5 x 45 mm lower mounting screws and tighten.
- Use the optional wall anchors if needed.

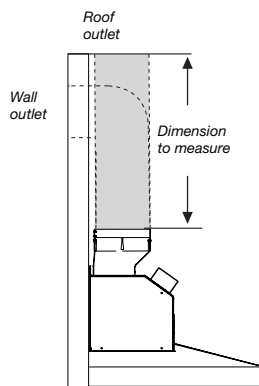
## Connect Vent System

- Install transition on top of hood (if removed for shipping) with 2 - 3.5 x 9.5 mm sheet metal screws.



### For vented installations only:

- Fit vent system over the exhaust outlet.
- Measure from the bottom of the air deflector to the bottom of the hood outlet. Cut the ductwork at the measured dimension.

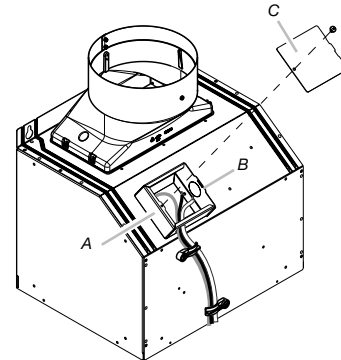


- Seal connection with clamps.
- Check that back draft dampers work properly.

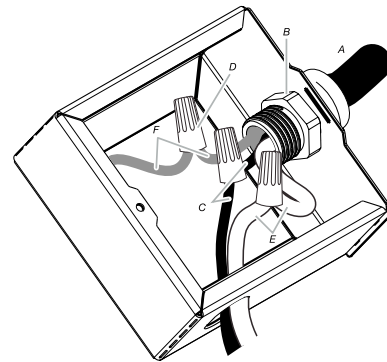
## ELECTRICAL CONNECTION

**WARNING: Electrical Shock Hazard**  
Disconnect power before servicing.  
Replace all parts and panels before operating.  
Failure to do so can result in death or electrical shock.

- Disconnect power.
- Remove terminal box cover.
- Remove the knockout in the terminal box cover and install a UL listed or CSA approved  $\frac{1}{2}$ " strain relief.



- Run home power supply cable through strain relief, into terminal box.



- Use UL listed wire connectors and connect black wires (C) together.
- Use UL listed wire connectors and connect white wires (E) together.

**WARNING: Electrical Shock Hazard**  
Electrically ground blower.

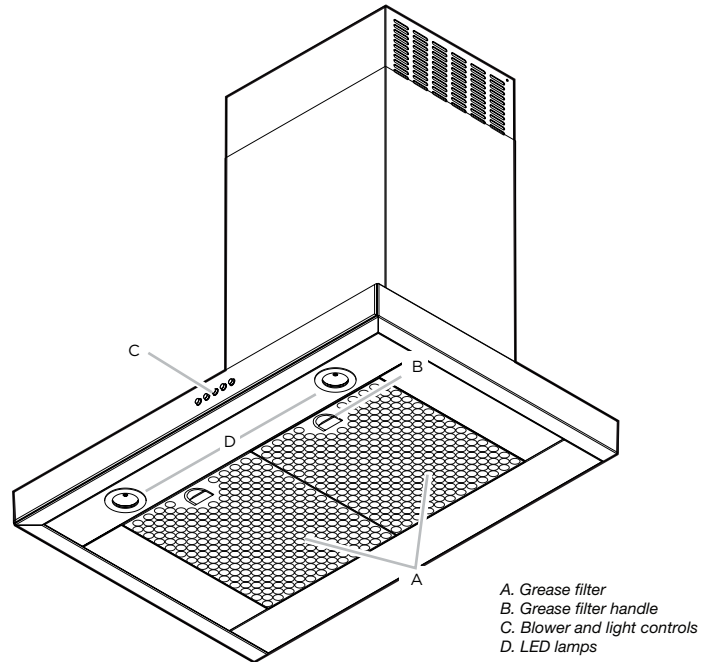
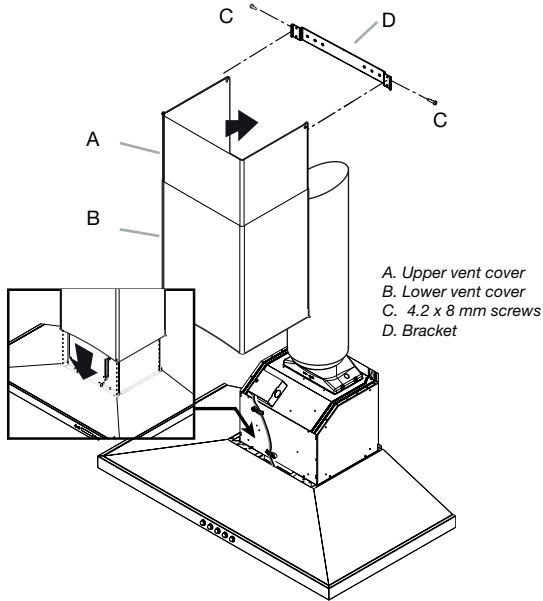
**Connect ground wire to green and yellow ground wire in terminal box. Failure to do so can result in death or electrical shock.**

- Connect green (or bare) ground wire from home power supply to yellow-green ground wire (F) in terminal box using UL listed wire connectors.
- Tighten strain relief screw.
- Install terminal box cover.
- Reconnect power.

## INSTALL DUCT COVERS

When using both upper and lower vent covers, push lower cover down onto hood and lift upper cover to ceiling and install with two mounting screws.

**NOTE:** For vented installations, the upper vent cover may be reversed to hide slots.



## COMPLETE INSTALLATION

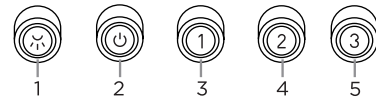
1. For non-vented (recirculating) installations only, install charcoal filters over metal grease filter. See the "Range Hood Care" section.
2. Install metal filters. See the "Range Hood Care" section.
3. Check the operation of the range hood blower and light. See the "Range Hood Use" section.

**NOTE:** To get the most efficient use from your new range hood, read the "Range Hood Use" section.

## DESCRIPTION OF THE HOOD

The range hood is designed to remove smoke, cooking vapors and odors from the cooktop area. For best results, start the hood before cooking and allow it to operate several minutes after the cooking is complete to clear all smoke and odors from the kitchen. The hood controls are located on the front side of the canopy.

## CONTROL



1. Light On/Off button
2. Blower On/Off button
3. Blower speed minimum button
4. Blower speed medium button
5. Blower speed maximum button

**NOTE:** Control buttons will light up when range hood is On.

### Operating the light

The Light On/Off button (1) controls both lights. Press once for On and again for Off.

### Operating the blower

The Blower On/Off button (2) turns the blower On or Off.

The Blower Speed buttons (3, 4 and 5) set the desired speed and control the sound level for quiet operation. The speed can be changed anytime during fan operation by pressing the desired blower speed button.

1. To turn the blower On, press the Blower On/Off button (2) and the desired speed button (3, 4 or 5).
2. To turn the blower Off, press the Blower On/Off button (2).
3. Any of the 3 blower speed buttons can be in the On position at the same time. The blower will operate at the highest speed button that is pushed in. For lower blower speeds, the higher speed buttons must not be pushed in.

When the temperature level on the hood drops to normal, the blower will operate in the setting defined by the user before the alarm occurred.

## RANGE HOOD CARE

### Cleaning

**IMPORTANT:** Clean the hood and grease filters frequently according to the following instructions. Replace grease filters before operating hood.

#### Exterior Surfaces:

To avoid damage to the exterior surface, do not use steel wool or soap-filled scouring pads.

Always wipe dry to avoid water marks.

#### Cleaning Method:

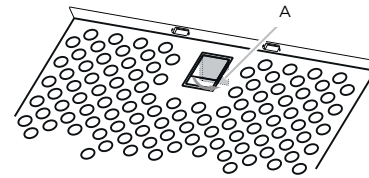
- Liquid detergent soap and water, or all-purpose cleanser
- Wipe with damp soft cloth or nonabrasive sponge, then rinse with clean water and wipe dry.
- Do not use cleaning agents containing bleach.

#### Replacing a LED Lamp

The LED lights are replaceable by a service technician only. See the service contact information in this page below.

#### Aluminum Grease Filter:

1. Remove the filter by pulling the spring release handle and then pulling down the filter.



A. Spring release handle

2. Wash aluminum grease filters as needed in dishwasher or hot detergent solution.
3. Reinstall the filter by making sure the spring release handles are toward the front. Insert aluminum filter into upper track.
4. Push in spring release handle.
5. Push up on aluminum filter and release handle to latch into place.

# ELICA North America

## TWO-YEAR LIMITED WARRANTY

Register your product in

**elica.com**

and earn a 3<sup>rd</sup> year of factory warranty, covering all parts plus in-home labor.

### TO OBTAIN SERVICE UNDER WARRANTY

Owner must present proof of original purchase date. Please keep a copy of your dated proof of purchase (sales slip) in order to obtain service under warranty.

### PARTS AND SERVICE WARRANTY

For the period of two (2) years from the date of the original purchase, Elica will provide free of charge, non consumable parts or components that failed due to manufacturing defects. During these two (2) years limited warranty, Elica will also provide free of charge, all labor and in-home service to replace any defective parts.

### WHAT IS NOT COVERED

- Damage or failure to the product caused by accident or act of God, such as, flood, fire or earthquake.
- Damage or failure caused by modification of the product or use of non-genuine parts.
- Damage or failure to the product caused during delivery, handling or installation.
- Damage or failure to the product caused by operator abuse.
- Damage or failure to the product caused by dwelling fuse replacement or resetting of circuit breakers.
- Damage or failure caused by use of product in a commercial application.
- Service trips to dwelling to provide use or installation guidance.
- Light bulbs, metal or carbon filters and any other consumable part.
- Normal wear of finish.
- Wear to finish due to operator abuse, improper maintenance, use of corrosive or abrasive cleaning products/pads and oven cleaner products.
- When the product has not been operated in accordance with the accompanying instructions for use.

### WHO IS COVERED

This warranty is extended to the original purchaser for products purchased for ordinary residential use in North America (Including the United States, Guam, Puerto Rico, US Virgin Islands & Canada).

This warranty is non-transferable and applies only to the original purchaser and does not extend to subsequent owners of the product. This warranty is made expressly in lieu of all other warranties, expressed or implied, including, but not limited to any implied warranty of merchantability or fitness for a particular purpose and all other obligations on the part of Elica North America, provided, however, that if the disclaimer of implied warranties is ineffective under applicable law, the duration of any implied warranty arising by operation of law shall be limited to two (2) years from the date of original purchase at retail or such longer period as may be required by applicable law.

This warranty does not cover any special, incidental and/or consequential damages, nor loss of profits, suffered by the original purchaser, its customers and/or the users of the Products.

### WHO TO CONTACT

To obtain service under warranty or for any service related question:

- **USA & CANADA - Western Provinces**  
**SERVICE POWER**  
888 732 8018  
elica@servicepower.com
- **CANADA - Ontario Province**  
**AGI Services**  
888 651 2534  
service@agintl.qc.ca
- **CANADA - Quebec & Atlantic Provinces**  
**Ateliers G. Paquette**  
800 463 0119  
service@ateliersgpaquette.com

To ensure prompt after-sales service, when you call we will kindly ask you to provide the following information indicated on the nameplate inside the hood: **hood model, 12 NC and date of purchase on original invoice.** To access the nameplate, all you have to do is remove the grease filters.

**12NC:** \_\_\_\_\_

**Hood model:** \_\_\_\_\_

**Serial No:** \_\_\_\_\_

**Date of purchase on original invoice:** \_\_\_\_\_

## Sommaire

Outils et Pièces	13
Dimensions et Dégagement	13
Spécifications Électriques	14
Exigences Concernant L'évacuation	14
Instructions d'installation	15
Installation de la Hotte	16
Raccordement du circuit d'évacuation	16
Connexion Électrique	17
Installation des Cache-conduits	17
Achever l'installation	17
Utilisation de la Hotte	18
Commandes	18
Entretien de la Hotte	18
GARANTIE	19

**APPROUVÉ POUR LES APPAREILS RÉSIDENTIELS  
POUR UTILISATION RÉSIDENTIELLE UNIQUEMENT.  
LIRE ET CONSERVER CES INSTRUCTIONS.**

**VEUILLEZ S.V.P. LIRE AVANT DE COMMENCER.**

**INSTALLATION DOIT ÊTRE CONFORME AUX CODES LOCAUX.**

**IMPORTANT: Conservez ces instructions pour l'électricien**

**INSTALLATEUR:** Veuillez laisser ces instructions avec cet appareil pour le propriétaire.

**PROPRIÉTAIRE:** Veuillez garder ces instructions pour référence future.

**Avertissement de securite:** Débranchez l'alimentation électrique du panneau de service et verrouillez-la avant de procéder au câblage.

Un circuit de dérivation 120 VAC, 60 Hz. 15 or 20 A est nécessaire

## IMPORTANTES INSTRUCTIONS DE SÉCURITÉ

**AVERTISSEMENT:** POUR RÉDUIRE LE RISQUE **ATTENTION** POUR UNE UTILISATION GÉNÉRALE DE VENTILATION UNIQUEMENT. NE PAS UTILISER POUR ÉVACUER DES MATIÈRES ET DES VAPEURS DANGEREUSES OU EXPLOSIVES. **AVERTISSEMENT:** POUR RÉDUIRE LES RISQUES D'INCENDIE, DE CHOC ÉLECTRIQUE OU DE BLESSURES AUX PERSONNES, RESPECTEZ CE QUI SUIT:

- a) N'utilisez cet appareil que de la manière prévue par le fabricant. Si vous avez des questions, contactez le fabricant.
- b) Avant de procéder à l'entretien ou au nettoyage de l'appareil, coupez l'alimentation au niveau du panneau de service et verrouillez le dispositif de déconnexion du service afin d'éviter toute remise sous tension accidentelle. Si le dispositif de déconnexion ne peut pas être verrouillé, fixez solidement un dispositif d'avertissement bien visible, tel qu'une étiquette, sur le panneau de service.

**AVERTISSEMENT:** POUR RÉDUIRE LES RISQUES D'INCENDIE, D'ÉLECTROCUTION OU DE BLESSURE, RESPECTEZ LES POINTS SUIVANTS :

- a) Les travaux d'installation et le câblage électrique doivent être effectués par des personnes qualifiées, conformément à tous les codes et normes applicables, y compris la construction à indice de résistance au feu.
- b) Une quantité d'air suffisante est nécessaire pour assurer une bonne combustion et l'évacuation des gaz par le conduit (cheminée) des appareils à combustible, afin d'éviter le reflux. Suivez les directives du fabricant de l'équipement de chauffage et les normes de sécurité telles que celles publiées par la National Fire Protection Association (NFPA) et l'American Society for Heating, Refrigeration and Air Conditioning Engineers (ASHRAE), ainsi que les autorités locales compétentes en matière de code.
- c) Lorsque vous découpez ou percez un mur ou un plafond, n'endommagez pas le câblage électrique et les autres services cachés.
- d) Les ventilateurs aspirants doivent toujours être ventilés vers l'extérieur.

**ATTENTION:** Afin de réduire les risques d'incendie et d'évacuer correctement l'air, veillez à évacuer l'air à l'extérieur - ne pas évacuer l'air à l'intérieur des murs ou des plafonds, dans les greniers ou les vides sanitaires, ou dans les garages.

**AVERTISSEMENT:** Pour réduire le risque d'incendie ou de choc électrique, n'utilisez pas ce ventilateur avec un dispositif de contrôle de vitesse à semi-conducteurs.

**AVERTISSEMENT :** POUR RÉDUIRE LE RISQUE D'INCENDIE, N'UTILISEZ QUE DES CONDUITS MÉTALLIQUES.

**REMARQUE:** Avant toute opération de nettoyage ou d'entretien, débrancher la hotte en retirant la fiche ou en déconnectant l'alimentation électrique.

**AVERTISSEMENT:** POUR RÉDUIRE LE RISQUE D'INCENDIE DE GRAISSE SUR LA CUISINIÈRE :

- a) Ne laissez jamais les appareils de surface sans surveillance à des réglages élevés. Les ébullitions provoquent des fumées et des débordements graisseux qui peuvent s'enflammer. Faites chauffer les huiles lentement à feu doux ou moyen.
- b) Allumez toujours la hotte lorsque vous cuisinez à feu vif ou lorsque vous faites flamber des aliments (par exemple, Crêpes Suzette, Cherries Jubilee, Peppercorn Beef Flambe').

c) Nettoyez fréquemment les ventilateurs. La graisse ne doit pas s'accumuler sur le ventilateur ou le filtre.

d) Utilisez des casseroles de taille appropriée. Utilisez toujours des ustensiles de cuisine adaptés à la taille de l'élément de surface.

**REMARQUE:** Portez toujours des gants de travail pour toutes les opérations d'installation et d'entretien. **AVERTISSEMENT :** POUR RÉDUIRE LE RISQUE DE BLESSURES AUX PERSONNES EN CAS D'INCENDIE DE GRAISSE DE POÊLE, RESPECTEZ LES DISPOSITIONS SUIVANTES:a

a) ÉTEIGNEZ LES FLAMMES à l'aide d'un couvercle hermétique, d'une plaque à biscuits ou d'un plateau métallique, puis éteignez le brûleur. SOYEZ PRUDENT POUR ÉVITER LES BRÛLURES. Si les flammes ne s'éteignent pas immédiatement, ÉVACUEZ ET APPELEZ LES POMPIERS.

b) Ne ramassez jamais une casserole en feu - Vous pourriez vous brûler.

c) N'UTILISEZ PAS D'EAU, y compris des torchons ou des serviettes mouillés - une violente explosion de vapeur s'ensuivrait.

d) Utilisez un extincteur UNIQUEMENT si: Vous savez que vous avez un extincteur de classe ABC et vous savez déjà comment le faire fonctionner. Le feu est petit et contenu dans la zone où il s'est déclaré. Les pompiers sont appelés. Vous pouvez combattre le feu en tournant le dos à une sortie.

aSelon les "Conseils de sécurité en cas d'incendie dans la cuisine" publiés par la NFPA.

**AVERTISSEMENT :** Pour réduire les risques d'incendie et de choc électrique, n'installez cette hotte qu'avec des modèles de soufflerie à distance d'une puissance maximale (courant et/ou chevaux) ou des souffleries intégrales fabriquées par (nom du fabricant), modèle(s) (nom de l'appareil). Note : a Puissance maximale recommandée pour la soufflerie à distance.

**REMARQUE:** Cet appareil n'est pas destiné à être utilisé par des personnes (y compris des enfants) dont les capacités physiques, sensorielles ou mentales sont réduites, ou qui manquent d'expérience et de connaissances, à moins qu'elles n'aient reçu une surveillance ou des instructions concernant l'utilisation de l'appareil de la part d'une personne responsable de leur sécurité.

**REMARQUE :** Les enfants doivent être surveillés afin de s'assurer qu'ils ne jouent pas avec l'appareil.

N'utilisez que des kits de connexion de cordon de hotte qui ont été examinés et jugés acceptables pour une utilisation avec ce modèle de hotte.

a) Ne pas faire fonctionner un ventilateur dont le cordon ou la fiche est endommagé(e). Mettez le ventilateur au rebut ou renvoyez-le à un centre de service agréé pour qu'il soit examiné et/ou réparé.

b) Ne pas faire passer le cordon sous la moquette. Ne pas couvrir le cordon avec des tapis, des patins ou des revêtements similaires. Ne pas faire passer le cordon sous les meubles ou les appareils électroménagers. Placez le cordon à l'écart des zones de circulation et à un endroit où l'on ne risque pas de trébucher dessus.

## LIRE ET CONSERVER CES INSTRUCTIONS

## OUTILS ET PIÈCES

### Pièces Fournies

#### Enlever l'emballage

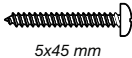
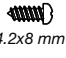
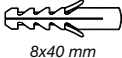
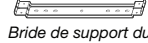
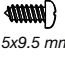

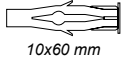
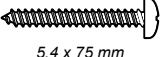
#### ATTENTION

Enlever délicatement le carton, Porter des gants pour se protéger des bords coupants.

#### AVERTISSEMENT

Enlever le film de protection recouvrant le produit avant de commencer l'opération.

- Hotte avec ventilateur et lampes DEL
- Conduit métallique rond de 6" (15.2 cm)
- Conduits de cheminée
- Kit quincaillerie comprenant:

Pièce	Quantité	Pièce	Quantité
 5x45 mm	6	 4.2x8 mm	4
 8x40 mm	6	 Brides de support du cache-conduit	1
 3.5x9.5 mm	2	 Gabarit de montage	1
 10x60 mm	4	 5.4 x 75 mm	4

#### Outils nécessaires

- Niveau
- Perceuse avec forets de 1¼" (3.2 cm), 1/8" (3.2 mm), y 1/16" (4,8 mm)
- Crayon
- Pince à dénuder ou couteau utilitaire
- Mètre-ruban ou règle
- Pince
- Pistolet à calfeutrage et composé de calfeutrage résistant aux intempéries
- Brides de conduit
- Scie sauteuse ou scie à guichet
- Tournevis à lame plate
- Cisaille de ferblantier
- Tournevis Phillips (Pozidrive) et tournevis Torx 20

#### Pièces nécessaires

- Câble d'alimentation électrique du domicile
- Serre-câble de 1/2" (12,7 mm) (homologation UL ou CSA)
- 3 connecteurs de fils homologués UL

#### Pour les installations avec décharge à l'extérieur, il vous faudra aussi:

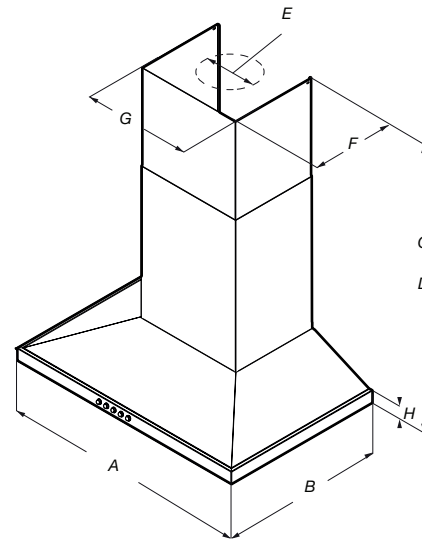
- 1 bouche de décharge (décharge à travers le mur ou à travers le toit)
- Circuit d'évacuation métallique

## Pièces non fournies

### Accessoires Optionnel

Kit	# Pièce	Kit	# Pièce
Kit Clapet anti-retour	KIT0102873	Kit CFM réduction	KIT02748
Kit Recyclage	KIT0102875	Kit Extension	KIT01935

## DIMENSIONS ET DÉGAGEMENT



	ELV430SS	ELV436SS
A	30" (76 cm)	36" (91.2 cm)
B	19 <sup>11</sup> / <sub>16</sub> " (50 cm)	
C*	max. 42 <sup>9</sup> / <sub>16</sub> " (108.1 cm) min. 28 <sup>17</sup> / <sub>64</sub> " (71.8 cm)	
D**	max. 38 <sup>45</sup> / <sub>64</sub> " (98.3 cm) min. 24 <sup>39</sup> / <sub>64</sub> " (62.5 cm)	
E	6" (15.24 cm)	
F	10 <sup>19</sup> / <sub>32</sub> " (26.9 cm)	
G	13 <sup>5</sup> / <sub>64</sub> " (33.2 cm)	
H	1 <sup>37</sup> / <sub>64</sub> " (4 cm)	

\*Pour les installations sans évacuation à l'extérieur (recyclage)

\*\*Pour les installations avec évacuation à l'extérieur

## SPÉCIFICATIONS ÉLECTRIQUES

### IMPORTANT

Observer les dispositions de tous les codes et règlements en vigueur.

Le client a la responsabilité de:

Contacteur un électricien-installateur.

Vérifier que l'installation électrique est adéquate et conforme avec le Code national de l'électricité, ANSI/NFPA 70 (la plus récente édition\*), ou les normes C22.1-94, Code canadien de l'électricité, Partie 1 et C22.2 No.0-M91 (La plus récente édition\*\*) de la CSA, ainsi que tous les codes et les ordonnances de votre région.

Si le code le permet et que vous utilisez un fil de mise à la terre distinct, il est recommandé de faire vérifier le chemin du fil par un électricien.

Pour obtenir un exemplaire des normes des codes ci-dessus, contacter:

National Fire Protection Association

1 Batterymarch Park

Quincy, MA 02169-7471

CSA International

8501 East Pleasant Valley Road

Cleveland, OH 44131-5575

- L'appareil doit être alimenté par un circuit de 120 V CA seulement, 60 Hz, 15 ampères, protégé par fusible.
- Si le domicile possède un câblage en aluminium, suivre la procédure ci-dessous:

1. Raccorder une section de câble en cuivre massif aux conducteurs en queue de cochon.
2. Connecter le câblage en aluminium à la section ajoutée de câblage en cuivre en utilisant des connecteurs et/ou des outils spécialement conçus et homologués UL pour fixer le.

Suivre la procédure recommandée par le fabricant de connecteurs électriques. Les raccordements aluminium/ cuivre doivent satisfaire aux prescriptions des codes locaux et de l'industrie, et être conformes aux pratiques de câblage reconnues.

- Le calibre des conducteurs et les connexions doivent être compatibles avec les caractéristiques électriques de l'appareil spécifiées sur la plaque signalétique. La plaque signalétique de l'appareil est située derrière le filtre, sur l'arête arrière de la hotte.
- Le calibre des conducteurs doit être conforme aux exigences du National Electrical Code, de la plus récente édition de la norme ANSI/NFPA 70 ou des normes CSA C22.1-94, Code canadien de l'électricité, partie 1 et C22.2 n° 0-M91 (édition la plus récente) et de tous les codes et règlements en vigueur.

Si la hotte est munie d'une fiche électrique, la raccorder à un réceptacle conforme à la réglementation en vigueur et placé en position accessible. Si la hotte n'est pas équipée d'une fiche électrique (raccordement direct au réseau électrique) ou si la fiche ne sera pas en position accessible après l'installation, placez un interrupteur bipolaire homologué en position accessible qui assure une déconnexion totale dans des conditions de surtension de catégorie III, conformément aux règles de câblage locales.

## EXIGENCES CONCERNANT L'ÉVACUATION

### (Pour les installations avec évacuation à l'extérieur)

- Le circuit d'évacuation doit décharger l'air à l'extérieur, excepté pour une installation sans décharge à l'extérieur (recyclage).
- Ne pas terminer le circuit d'évacuation dans un grenier ou dans un autre espace fermé.
- Ne pas utiliser une bouche de décharge murale de 4" (10,2 cm) normalement utilisée pour un équipement de buanderie).
- Utiliser uniquement des conduits métalliques. Des conduits en métal rigide sont recommandés. Ne pas utiliser de conduit de plastique ou en aluminium.
- La longueur du circuit d'évacuation et le nombre de coudes doivent être réduits au minimum pour fournir la meilleure performance.

### Pour un fonctionnement efficace et silencieux:

- Ne pas utiliser plus de trois coudes à 90°.
- Veiller à ce qu'il y ait une section droite de conduit de 24" (61 cm) ou plus entre les coudes, si on doit utiliser plus d'un raccord coudé.
- Ne pas connecter 2 coudes ensemble.
- Au niveau de chaque jointure du circuit d'évacuation, assurer l'étanchéité avec les brides de serrage.
- Le circuit d'évacuation doit comporter un clapet antireflux.
- Si la bouche de décharge murale ou par le toit comporte un clapet, ne pas utiliser le clapet fourni avec la hotte d'extraction.
- Assurer l'étanchéité avec un composé de calfeutrage autour de la bouche de décharge à l'extérieur (mur ou toit).
- La taille du conduit doit être uniforme.

### Méthodes d'évacuation

Cette hotte a été configurée à l'usine pour la décharge de l'air aspiré à travers le toit ou à travers un mur.

Un circuit d'évacuation en conduit rond de 6" (15,2 cm) (non fourni) est nécessaire pour l'installation. La hotte comporte une ouverture de sortie de diamètre 6" (15,2 cm).

**REMARQUE:** On déconseille l'emploi de conduit flexible. Un conduit flexible peut causer une rétropression et des turbulences de l'air, ce qui réduit considérablement la performance. La sortie à l'extérieur du circuit d'évacuation peut se faire à travers le toit ou à travers un mur. Pour la sortie à travers un mur, on doit employer un raccord coudé (90°).

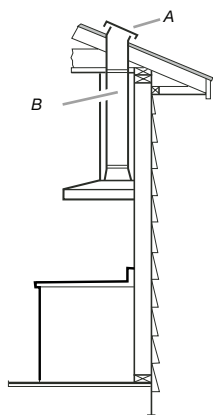
### Décharge Par l'arrière

Le raccord coudé à 90° peut être installé immédiatement au-dessus de la hotte.

## Installation sans décharge à l'extérieur (Recyclage)

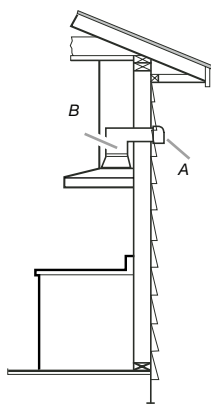
S'il n'est pas possible d'évacuer les fumées et vapeurs de cuisson à l'extérieur, on peut employer la version installation sans décharge à l'extérieur (recyclage) de la hotte, dotée d'un filtre à charbon et du déflecteur. Les vapeurs/fumées sont alors recyclées à travers la grille supérieure.

Décharge à travers le toit



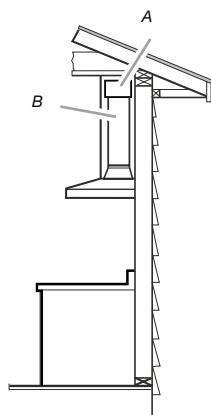
A. Bouche de décharge sur toit  
B. Conduit rond de 6" (15,2 cm)

Décharge à travers le mur



A. Bouche de décharge murale  
B. Conduit rond de 6" (15,2 cm)

Installation sans décharge à l'extérieur (recyclage)



A. Déflecteur  
B. Conduit rond de 6" (15,2 cm)

## INSTRUCTIONS D'INSTALLATION

### Préparation de l'emplacement

- Il est recommandé d'installer le circuit d'évacuation avant de procéder à l'installation de la hotte.
- Avant d'exécuter les découpages, vérifier la disponibilité d'un dégagement suffisant dans le plafond ou le mur pour le conduit d'évacuation.
- Avant d'installer la hotte, mesurer la hauteur libre sous plafond et la hauteur maximum disponible sous la hotte.

- Déconnecter la source de courant électrique.
- Déterminer la méthode d'évacuation à utiliser: décharge à travers le mur ou le toit, ou recyclage.
- Sélectionner une surface plane pour l'assemblage de la hotte. Placer le matériau de protection sur cette surface.

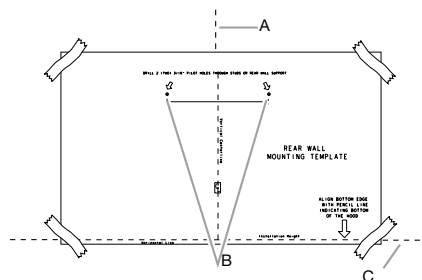
### AVERTISSEMENT

**POUR RÉDUIRE LE RISQUE D'INCENDIE, CHOC ÉLECTRIQUE OU DOMMAGES CORPORELS, RESPECTER LES INSTRUCTIONS SUIVANTES:**

- À l'aide de deux personnes ou plus, soulever la hotte et la poser sur la surface couverte.

## Installation des vis de montage de la hotte

- Déterminer et marquer la position de l'axe central sur le mur où la hotte sera installée.
- Sélectionner une hauteur de montage comprise entre un minimum de 24" (61 cm) pour une surface de cuisson électrique, un minimum de 30" (76,2 cm) pour une surface de cuisson au gaz et un maximum suggéré de 36" (91,4 cm) entre le dessus de la cuisinière et le bas de la hotte. Marquer la ligne de repérage sur le mur.
- Fixer le gabarit en place avec du ruban adhésif; aligner l'axe central du gabarit et le bas du gabarit avec la ligne correspondant au bas de la hotte, et avec l'axe central déjà tracé sur le mur.

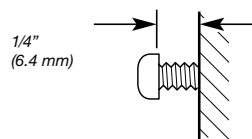


A. Axe central  
B. Emplacements des attaches  
C. Ligne de référence pour la hauteur de montage (bas de la hotte)

- À l'aide du gabarit, marquer sur le mur le centre des attaches.

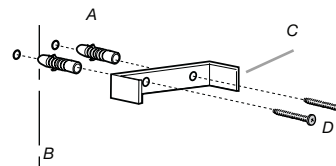
**IMPORTANT:** Toutes les vis de montage de la hotte en îlot doivent être vissées dans du bois où cela est possible. Si l'on ne peut pas visser les vis de montage de la hotte dans du bois, des tasseaux supplémentaires pour accrochage mural seront peut-être nécessaires.

- Retirer le gabarit.
- Pour bois, percer des avant-trous de 3/16" (4,8 mm) à tous les emplacements de pose des vis dans du bois.
- Pour bois, installer les 2 vis de montage de 5 x 45 mm. Laisser un espace de 1/4" (6,4 mm) entre le mur et l'arrière de la tête de vis pour faire glisser la hotte et la mettre en place.



### Installation de la bride de cache-conduit

- Fixer la bride du cache-conduit au mur en affleurement avec le plafond à l'aide de 2 vis Phillips n°2 de 5 x 45 mm.



A. 8 x 40 mm ancrages pour cloisons sèches  
B. l'axe central sur le mur  
C. Bride de support du cache-conduit  
D. Vis 5 x 45 mm

## Achever la Préparation

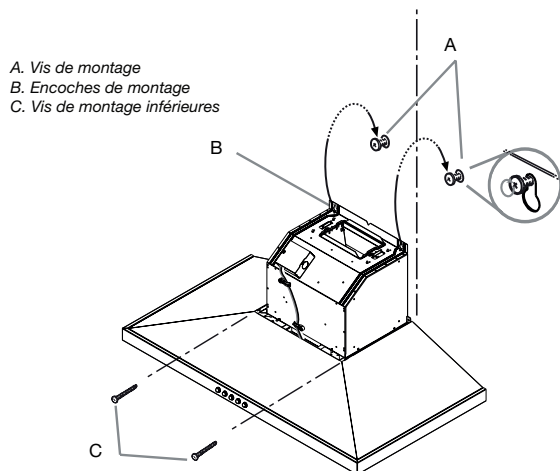
1. Déterminer et effectuer tous les découpages nécessaires dans le mur pour le passage du circuit d'évacuation. Installer le circuit d'évacuation avant la hotte. Voir la section "Exigences concernant l'évacuation".
2. Déterminer la hauteur appropriée pour le cordon d'alimentation du domicile et percer un trou de 1/4" (3,2 cm) à cet endroit.
3. Acheminer le câble d'alimentation du domicile selon les prescriptions du Code national de l'électricité, des normes CSA et des codes et règlements locaux. Il faut que la longueur du conduit de 1/2" et des conducteurs soit suffisante depuis le tableau de distribution (avec fusibles ou disjoncteurs) pour réaliser le raccordement dans le boîtier de connexion de la hotte.

**REMARQUE:** Ne pas mettre le système sous tension avant d'avoir complètement terminé l'installation.

4. Utiliser un calfeutrant pour assurer l'étanchéité au niveau de chaque ouverture.

## INSTALLATION DE LA HOTTE

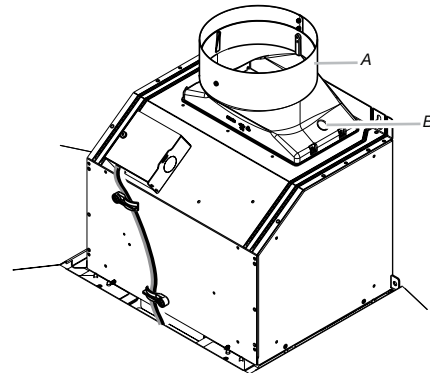
1. À deux personnes au moins, suspendre la hotte aux 2 crochets de montage, à travers les encoches de montage à l'arrière de la hotte.



2. Mark avec un crayon les emplacements des trous inférieurs.
3. Désinstaller l'ensemble de la hotte et percer des trous pilotes de 3/16" (4,8 mm) aux emplacements marqués.
4. Remplacer le capot sur 2 haut les vis de montage.
5. Mettre la hotte de niveau et serrer les vis de montage supérieures.
6. Installer les 2 vis de montage Phillips n°2 inférieures de 5 x 45 mm et serrer.
7. Utiliser les pièces d'ancrage mural facultatives si nécessaire.

## RACCORDEMENT DU CIRCUIT D'ÉVACUATION

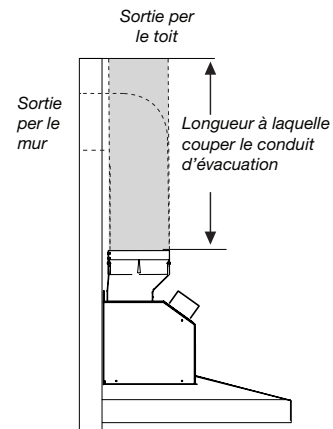
1. Installer le raccord de transition au sommet de la hotte (s'il a été enlevé pour expédition), avec 2 vis de 3,5 x 9,5 mm.



A. Raccord de transition  
B. Vis 3,5 x 9,5 mm

### Pour les installations avec décharge à l'extérieur uniquement:

1. Le circuit d'évacuation doit être installé par dessus la sortie d'évacuation.
2. Mesurer la distance entre le bas du déflecteur et le bas de la sortie de la hotte. Couper le conduit à la dimension mesurée.



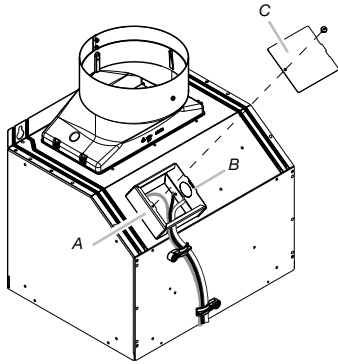
3. Serrer le raccord avec des brides de serrage.
4. Vérifier que les clapets anti-retour fonctionnent correctement.

## CONNEXION ÉLECTRIQUE

### AVERTISSEMENT: Risque de Choc Électrique

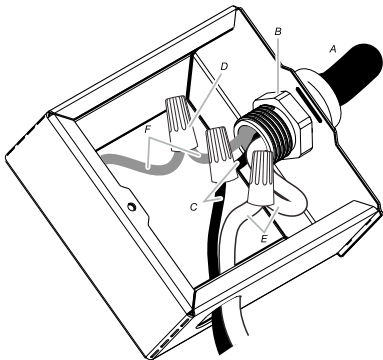
Déconnecter la source de courant électrique avant l'entretien. Replacer pièces et panneaux avant de faire la remise en marche. Le non-respect de ces instructions peut causer un décès ou un choc électrique.

1. Déconnecter la source de courant électrique.
2. Retirer le couvercle du boîtier de connexion.
3. Ôter l'opercule arrachable du boîtier de connexion et installer un serre-câble de 1/2" (homologation UL ou CSA).



A. Boîtier de connexion  
B. Opercule arrachable  
C. Couvercle du boîtier de connexion

4. Acheminer le cordon d'alimentation du domicile à travers le serre-câble, dans le boîtier de connexion.



A. Câble d'alimentation électrique du domicile  
B. Serre-câble (homologation UL ou CSA)  
C. Conducteurs noirs  
D. Connecteurs de fils (homologation UL)  
E. Conducteurs blancs  
F. Conducteurs verts (ou nus) ou vert-jaune de liaison à la terre

5. Connecter ensemble les conducteurs noirs (C) à l'aide de connecteurs de fils (homologation UL).
6. Connecter ensemble les conducteurs blancs (E) à l'aide de connecteurs de fils (homologation UL).

### AVERTISSEMENT: Risque de Choc Électrique

Déconnecter la source de courant électrique avant l'entretien. Replacer pièces et panneaux avant de faire la remise en marche. Le non-respect de ces instructions peut causer un décès ou un choc électrique.

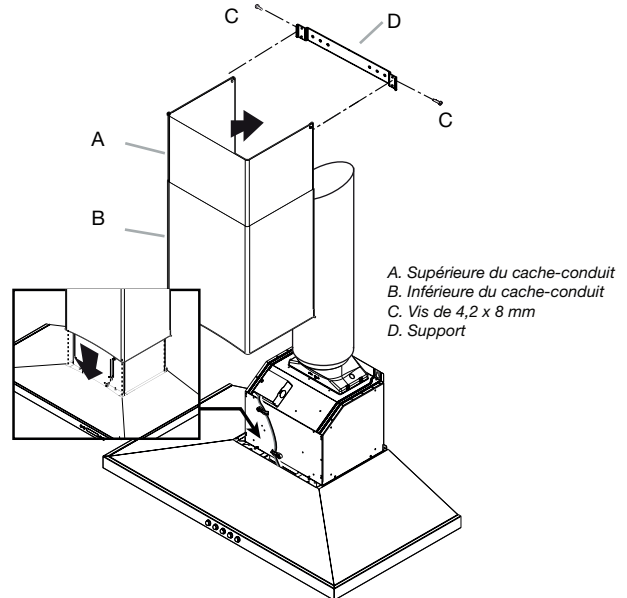
7. À l'aide des connecteurs de fils (homologation UL), connecter le conducteur de liaison à la terre (vert ou nu) du câble d'alimentation du domicile au conducteur vertjaune de liaison à la terre (F) dans le boîtier de connexion.

8. Serrer la vis du serre-câble.
9. Installer le couvercle du boîtier de connexion.
10. Reconnecter la source de courant électrique.

## INSTALLATION DES CACHE-CONDUITS

En cas d'utilisation des sections supérieure et inférieure du cache-conduit, pousser la section inférieure vers le bas, sur la hotte et soulever la section supérieure vers le plafond et installer avec 2 vis de montage.

**REMARQUE:** Pour les installations avec décharge à l'extérieur, le cache-conduit supérieur peut être inversé pour dissimuler les fentes.



A. Supérieure du cache-conduit  
B. Inférieure du cache-conduit  
C. Vis de 4,2 x 8 mm  
D. Support

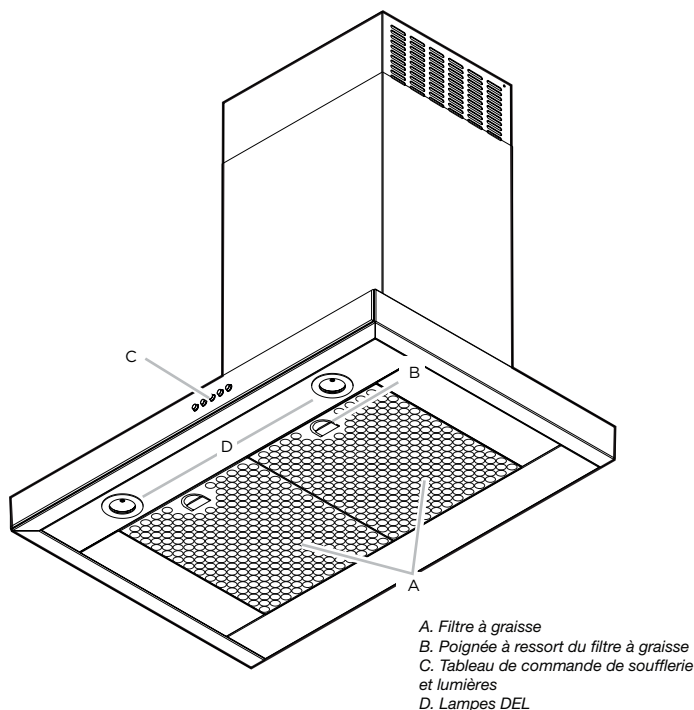
## ACHEVER L'INSTALLATION

1. Pour les installations sans décharge à l'extérieur (recyclage) uniquement, installer les filtres à charbon sur le filtre à graisse métallique. Voir la section "Entretien de la hotte".
2. Installer les filtres métalliques. Voir la section "Entretien de la hotte".
3. Contrôler le fonctionnement de la hotte et de la lampe du ventilateur. Voir la section "Utilisation de la hotte".  
**REMARQUE:** Pour pouvoir tirer le plus grand parti de la nouvelle hotte de cuisinière, lire la section "Utilisation de la hotte".

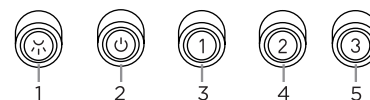
## UTILISATION DE LA HOTTE

La hotte de cuisinière est conçue pour extraire fumée, vapeurs de cuisson et odeurs de la zone de la table de cuisson. Pour obtenir les meilleurs résultats, mettre le ventilateur de la hotte en marche avant d'entreprendre une cuisson, et laisser le ventilateur fonctionner pendant plusieurs minutes après l'achèvement d'une cuisson pour pouvoir évacuer de la cuisine toute trace d'odeur de cuisson ou fumée.

Les commandes de la hotte sont situées à l'avant de celle-ci.



## COMMANDES



1. Bouton marche/arrêt de l'éclairage
2. Bouton de marche/arrêt du ventilateur
3. Bouton de vitesse minimale du ventilateur
4. Touche de vitesse moyenne du ventilateur
5. Touche de vitesse maximale du ventilateur

**REMARQUE:** Les boutons de commande s'allument lorsque la hotte est en marche.

### Utilisation de l'éclairage

Le bouton Light On/Off (1) permet de contrôler les deux lumières. Appuyez une fois pour allumer et une autre fois pour éteindre.

### Fonctionnement de la soufflerie

Le bouton Blower On/Off (2) permet d'activer ou de désactiver la soufflerie.

Les boutons de vitesse de la soufflante (3, 4 et 5) permettent de régler la vitesse souhaitée et de contrôler le niveau sonore pour un fonctionnement silencieux. La vitesse peut être modifiée à tout moment pendant le fonctionnement du ventilateur en appuyant sur le bouton de vitesse de soufflage souhaité.

1. Pour mettre le ventilateur en marche, appuyez sur la touche Blower On/Off (2) et sur la touche de vitesse souhaitée (3, 4 ou 5).
2. Pour arrêter le ventilateur, appuyez sur le bouton Blower On/Off (2).

N'importe lequel des 3 boutons de vitesse de la soufflerie peut être en position de marche en même temps. La soufflante fonctionnera à la vitesse la plus élevée qui est enfoncée. Pour réduire la vitesse de la soufflerie, il ne faut pas enfoncer les boutons de vitesse supérieure.

## ENTRETIEN DE LA HOTTE

### Nettoyag

**IMPORTANT:** Nettoyer fréquemment la hotte et les filtres à graisse en suivant les instructions suivantes. Réinstaller les filtres à graisse avant de faire fonctionner la hotte.

#### Surfaces Externes:

Afin d'éviter d'endommager la surface externe, ne pas utiliser de tampons en laine d'acier ou de tampons à récurer savonneux. Toujours essuyer pour éviter de laisser des marques d'eau.

#### Méthode de Nettoyage:

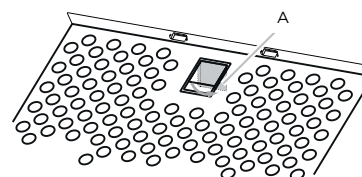
- Savon détergent liquide et eau, ou produit de nettoyage polyvalent.
- Frotter avec un chiffon doux humide ou une éponge non abrasive, puis rincer avec de l'eau propre et essuyer.
- Ne pas utiliser des produits de nettoyage contenant du chlore.

#### Remplacement de la Lampe à DEL

Les lumières DEL sont remplaçables par un technicien de service seulement. Voir les informations de contact de service à la page suivante.

#### Filtre à graisse en aluminium :

1. Retirez le filtre en tirant sur la poignée de libération à ressort, puis en tirant le filtre vers le bas.



2. Lavez les filtres à graisse en aluminium au besoin dans le lave-vaisselle ou dans une solution détergente chaude.
3. Réinstallez le filtre en vous assurant que les poignées de libération à ressort sont orientées vers l'avant. Insérez le filtre en aluminium dans le rail supérieur.
4. Enfoncez la poignée de libération du ressort.
5. Poussez le filtre en aluminium vers le haut et relâchez la poignée pour qu'il se verrouille en place.

# ELICA North America

**GARANTIE DE DEUX ANS**

Enregistrez votre produit sur

**elica.com**

et obtenez une 3<sup>e</sup> année de garantie, qui couvre toutes les pièces en plus de la main-d'œuvre.

## POUR OBTENIR UN DEPANNAGE SOUS GARANTIE

Le propriétaire doit présenter une preuve de la date d'achat. Garder une copie de votre preuve d'achat datée (ticket de caisse) de façon à pouvoir bénéficier du service après-vente sous garantie.

## GARANTIE PIÈCES DE RECHANGE ET MAIN D'OEUVRE

Pendant une période de deux (2) ans à partir de la date d'achat, Elica s'engage à fournir gratuitement les pièces de rechange ou les composants autres que les recharges ayant des défauts de fabrication. Durant cette garantie de deux (2) ans, Elica fournira également gratuitement, toute la main d'oeuvre et le service à domicile pour remplacer d'éventuelles pièces défectueuses.

## CE QUE LA GARANTIE NE COUVRE PAS

- Dégât ou panne du produit causé par un accident ou un cas de force majeure tels que inondation, incendie ou tremblement de terre.
- Dégât ou panne du produit causé par modification du produit ou utilisation de pièces pas d'origine.
- Dégât ou panne du produit causé lors de la livraison, de la manipulation ou de l'installation.
- Dégât ou panne du produit causé par une mauvaise utilisation.
- Dégât ou panne du produit causé par un remplacement des fusibles ou une remise en fonction des disjoncteurs par le propriétaire.
- Dégât ou panne du produit causé par une utilisation du produit pour raison commerciale.
- Déplacement à domicile pour explication d'utilisation ou d'entretien.
- Ampoules, filtres métalliques ou au charbon et toute autre pièce consommable.
- Usure normale.
- Usure due à une mauvaise utilisation du propriétaire, un entretien incorrect, une utilisation de substances nettoyantes corrosives ou abrasives et produits de nettoyage pour four.
- Lorsque le produit n'a pas été utilisé conformément aux instructions d'utilisation qui l'accompagnent.

## QUI EST COUVERT

Cette garantie s'étend à l'acheteur original de produits achetés pour un usage domestique habituel en Amérique du Nord (Y compris Etats Unis, Guam, Porto Rico, les Iles virgins Américaines & le Canada).

Cette garantie n'est pas transférable et vaut uniquement pour l'acheteur original et ne s'étend pas aux propriétaires successifs du produit. Cette garantie vaut expressément en lieu et place de toute autre garantie, expresse ou sous-entendue, mais ne limite pas toute autre garantie sous-entendue de marchandage ou adaptation dans un but particulier et toute autre obligation de la part de Elica North America, étant entendu, cependant, que si la réclamation pour garanties sous-entendues n'est pas applicable aux yeux de la loi en vigueur, la durée de toute garantie sous-entendue émanant de la loi doit être limitée à deux (2) ans à partir de la date d'achat du produit ou à une période plus longue selon ce que dit la loi en vigueur.

Cette garantie ne couvre pas tout dégât particulier, accidentel et/ou consécutif, ni les pertes et profits, à charge du propriétaire, des ses clients et/ou des utilisateurs Des produits.

## QUI CONTACTER

Pour obtenir un Service Après-vente durant la Garantie ou pour toute autre Question liée au Service Après-vente: Appeler:

- **USA & CANADA - Provinces de l'Ouest**  
**SERVICE POWER**  
888 732 8018  
elica@servicepower.com
- **CANADA - Province de l'Ontario**  
**AGI Services**  
888 651 2534  
service@agintl.qc.ca
- **CANADA - Québec et provinces de l'Atlantique**  
**Ateliers G. Paquette**  
800 463 0119  
service@ateliersgpaquette.com

Pour garantir un service après-vente rapide, quand vous téléphonerez nous vous prions de bien vouloir donner les informations suivantes, qui sont indiquées sur la plaque signalétique qui se trouve à l'intérieur de la hotte: **modèle, 12 NC et date d'achat sur votre facture originale**. Pour accéder à la plaque signalétique, il vous suffit d'enlever les filtres graisse.

**12NC:** \_\_\_\_\_

**Modèle:** \_\_\_\_\_

**N° de série:** \_\_\_\_\_

**Date d'achat sur votre facture originale:** \_\_\_\_\_

## Tabla de Contenidos

Herramientas y Piezas	23
Dimensiones y Espacios Libres	23
Requisitos Eléctricos	24
Requisitos de Ventilación	24
Instrucciones de Instalación	25
Instalación de la Campana	26
Conexión del Sistema de Ventilación	26
Conexión Eléctrica	26
Instalación de las cubiertas del ducto	27
Complete la Instalación	27
Uso de la Campana	28
Control	28
Cuidado de la Campana	28
GARANTÍA	29

**APROBADO PARA USO RESIDENCIAL  
SOLO PARA USO RESIDENCIAL  
LEA Y GUARDE ESTAS INSTRUCCIONES**

**FAVOR DE LEER COMPLETAMENTE ESTAS INSTRUCCIONES  
ANTES DE PROCEDER  
LA INSTALACIÓN DEBE CUMPLIR CON TODAS LAS  
NORMATIVIDADES LOCALES**

**IMPORTANTE:** Guarde estas instrucciones para el uso del Inspector Eléctrico Local.  
**INSTALADOR:** Favor de dejar este instructivo al propietario  
**PROPIETARIO:** Favor de conservar este instructivo para referencia futura.  
**Aviso de Seguridad:** Desconecte la fuente de poder eléctrico del panel de servicio y ciérrelo antes de proceder al cableado.

Se requiere un Circuito ramificado de 15 o 20 A, 120 VAC, 60 Hz.

## AVISO DE SEGURIDAD IMPORTANTE

**PRECAUCIÓN** SÓLO PARA USO GENERAL DE VENTILACIÓN. NO UTILIZAR PARA EVACUAR MATERIALES Y VAPORES PELIGROSOS O EXPLOSIVOS.

**ADVERTENCIA:** PARA REDUCIR EL RIESGO DE INCENDIO, DESCARGA ELÉCTRICA O LESIONES A LAS PERSONAS, OBSERVE LO SIGUIENTE:

- Utilice esta unidad sólo de la manera indicada por el fabricante. Si tiene alguna duda, póngase en contacto con el fabricante.
- Antes de reparar o limpiar la unidad, desconecte la alimentación en el panel de servicio y bloquee los medios de desconexión del servicio para evitar que la alimentación se conecte accidentalmente. Si no es posible bloquear los medios de desconexión del servicio, fije firmemente un dispositivo de advertencia visible, como una etiqueta, al panel de servicio.

**ADVERTENCIA:** PARA REDUCIR EL RIESGO DE INCENDIO, DESCARGA ELÉCTRICA O LESIONES PERSONALES, OBSERVE LO SIGUIENTE:

- Los trabajos de instalación y el cableado eléctrico deben ser realizados por personal(es) cualificado(s) de acuerdo con todos los códigos y normas aplicables, incluida la construcción resistente al fuego.
- Se necesita aire suficiente para que la combustión y la evacuación de gases a través del conducto de humos (chimenea) de los equipos de combustión de combustible sean correctas, a fin de evitar corrientes de retorno. Siga las directrices del fabricante del equipo de calefacción y las normas de seguridad, como las publicadas por la National Fire Protection Association (NFPA) y la American Society for Heating, Refrigeration and Air Conditioning Engineers (ASHRAE), y las autoridades locales competentes.
- Al cortar o perforar la pared o el techo, no dañe el cableado eléctrico ni otros servicios ocultos.
- Los ventiladores con conductos deben ventilarse siempre al exterior.

**PRECAUCIÓN:** Para reducir el riesgo de incendio y evacuar correctamente el aire, asegúrese de canalizar el aire hacia el exterior; no ventile el aire de salida en espacios dentro de paredes o techos, áticos o en espacios de arrastre, o garajes.

**ADVERTENCIA:** Para reducir el riesgo de incendio o descarga eléctrica, no utilice este ventilador con ningún dispositivo de control de velocidad de estado sólido.

**ADVERTENCIA:** PARA REDUCIR EL RIESGO DE INCENDIO, UTILICE ÚNICAMENTE CONDUCTOS METÁLICOS.

**NOTA:** Antes de cualquier operación de limpieza o mantenimiento, desconecte la campana de la red eléctrica retirando el enchufe o desconectando la alimentación eléctrica.

**ADVERTENCIA:** PARA REDUCIR EL RIESGO DE INCENDIO POR GRASA EN LA ENCIMERA:

- No deje nunca desatendidas las unidades de superficie a fuego alto. Los hervores provocan humos y salpicaduras de grasa que pueden inflamarse. Caliente los aceites lentamente a temperatura baja o media.
- Encienda siempre la campana cuando cocine a fuego alto o cuando flamee alimentos (por ejemplo, Crepes Suzette, Cherries Jubilee, Peppercorn Beef Flambe').

c) Limpie los ventiladores con frecuencia. No permita que se acumule grasa en el ventilador o en el filtro.

d) Utilice ollas de tamaño adecuado. Utilice siempre utensilios de cocina apropiados para el tamaño del elemento de superficie.

**ADVERTENCIA:** Para reducir el riesgo de incendio y descarga eléctrica, instale esta campana sólo con modelos de soplador remoto con la clasificación máxima (corriente y/o caballos de fuerza) o sopladores integrales fabricados por (nombre del fabricante), modelo(s) (nombre del aparato). Nota: a Clasificación máxima recomendada del soplador remoto.

**NOTA:** Utilice siempre guantes de trabajo para todas las operaciones de instalación y mantenimiento **ADVERTENCIA:** PARA REDUCIR EL RIESGO DE LESIONES A LAS PERSONAS EN CASO DE INCENDIO DE GRASA EN LA PARTE SUPERIOR DE LA GAMA, OBSERVE LO SIGUIENTE:<sup>a</sup>

- APAGUE LAS LLAMAS con una tapa hermética, una bandeja para galletas o una bandeja metálica y, a continuación, apague el quemador. TENGA CUIDADO PARA EVITAR QUEMADURAS. Si las llamas no se apagan inmediatamente, EVACÚE Y LLAME AL DEPARTAMENTO DE BOMBEROS.
  - NUNCA RECOJA UNA SARTÉN EN LLAMAS - Puede quemarse.
  - NO UTILICE AGUA, ni paños de cocina o toallas mojados - se producirá una violenta explosión de vapor.
  - Utilice un extintor SÓLO si: Sabe que tiene un extintor de la clase ABC y ya sabe cómo utilizarlo. El fuego es pequeño y está contenido en la zona donde se inició. Se está llamando a los bomberos. Puede combatir el fuego de espaldas a una salida.
- <sup>a</sup>Basado en "Kitchen Fire Safety Tips" publicado por la NFPA.

**NOTA:** Este aparato no está diseñado para ser utilizado por personas (incluidos niños) con capacidades físicas, sensoriales o mentales reducidas, o con falta de experiencia y conocimientos, a menos que hayan recibido supervisión o instrucciones sobre el uso del aparato por parte de una persona responsable de su seguridad.

**NOTA:** Los niños deben ser supervisados para asegurarse de que no juegan con el aparato.

Utilice únicamente kits de conexión de cable de cocina que hayan sido investigados y considerados aceptables para su uso con este modelo de cocina.

a) No haga funcionar ningún ventilador con un cable o enchufe dañado. Deseche el ventilador o devuélvalo a un centro de servicio autorizado para su examen y/o reparación.

b) No pase el cable por debajo de alfombras. No cubra el cable con alfombras, correderas o cubiertas similares. No pase el cable por debajo de muebles o electrodomésticos. Coloque el cable lejos de zonas de tránsito y donde no se pueda tropezar con él.

# LEA Y GUARDE ESTAS INSTRUCCIONES

## HERRAMIENTAS Y PIEZAS

### Piezas Suministradas

#### Remoción de la Confección

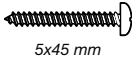
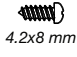
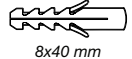

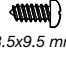
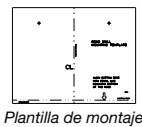
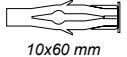
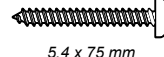
#### CUIDADO

Quite la caja cuidadosamente, use guantes para protegerse contra los bordes afilados.

#### ADVERTENCIA

Quite la película de protección que cubre el producto antes de ponerlo en funcionamiento.

- Ensamblaje del escudete para campana con ventilador y lámparas LED
- Ducto de escape redondo de metal de 6" (15.2 cm)
- Cubiertas para ducto
- Bolsa plástica con el siguiente contenido:

Pieza	Cantidad	Pieza	Cantidad
 5x45 mm	6	 4.2x8 mm	4
 8x40 mm	6	 Soporte de la cubierta del ducto	1
 3.5x9.5 mm	2	 Plantilla de montaje	1
 10x60 mm	4	 5.4 x 75 mm	4

#### Herramientas/Materiales requeridos

- Nivel
- Taladro con brocas de 1¼" (3.2 cm), ⅛" (3.2 mm), y ⅙" (4,8 mm)
- Lápiz
- Pelacables o cuchillo de uso general
- Cinta de medir o regla
- Pinzas
- Pistola para calafateo y masilla para calafateo a prueba de agua
- Abrazaderas para ducto de ventilación
- Sierra de vaivén o sierra caladora
- Destornillador de hoja plana
- Tijeras de hojalatero
- Destornillador Phillips y Torx 20

#### Piezas necesarias

- Cable de suministro eléctrico doméstico
- Protector de cables de ½" (12.7 mm) que esté en la lista de UL o aprobado por CSA
- 3 conectores para cables que estén en la lista de UL

#### Para instalaciones con ducto de escape, también necesitará:

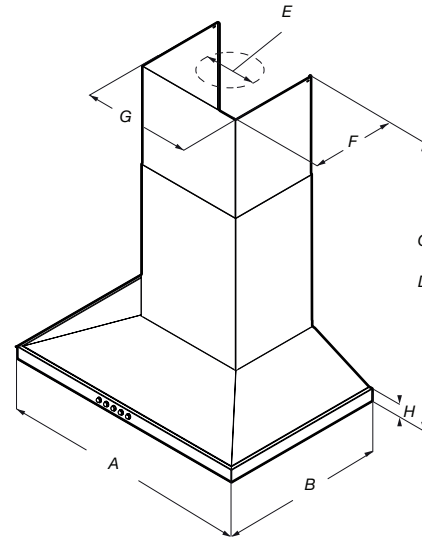
- 1 cubierta para pared o techo
- Sistema de ventilación metálico

## Piezas no Suministradas

#### Accesorios Opcionales

Kit	# Pieza	Kit	# Pieza
Kit de Válvula de no retorno	KIT0102873	Kit de Reducción CFM	KIT02748
Kit Recirculante	KIT0102875	Kit de Extensión de Ducto-sKIT01935	

## Dimensiones y Espacios Libres



	ELV430SS	ELV436SS
A	30" (76 cm)	36" (91.2 cm)
B	19 <sup>1</sup> / <sub>16</sub> " (50 cm)	
C*	max. 42 <sup>9</sup> / <sub>16</sub> " (108.1 cm) min. 28 <sup>17</sup> / <sub>64</sub> " (71.8 cm)	
D**	max. 38 <sup>45</sup> / <sub>64</sub> " (98.3 cm) min. 24 <sup>39</sup> / <sub>64</sub> " (62.5 cm)	
E	6" (15.24 cm)	
F	10 <sup>19</sup> / <sub>32</sub> " (26.9 cm)	
G	13 <sup>5</sup> / <sub>64</sub> " (33.2 cm)	
H	1 <sup>37</sup> / <sub>64</sub> " (4 cm)	

\*Para instalaciones sin ducto de escape (recirculantes)

\*\*Para instalaciones con ducto de escape

## REQUISITOS ELÉCTRICOS

### IMPORTANTE

Observe todos los códigos y reglamentos aplicables.

Es la responsabilidad del propietario:

Contactar un instalador eléctrico calificado.

Asegurarse de que la instalación eléctrica es adecuada y en conformidad con National Electrical Code, ANSI/NFPA 70 — última edición\* o CSA Standards C22.1-94, Canadian Electrical Code, Parte 1 y C22.2 No.0-M91 — última edición\*\* y toda la normativa y las ordenanzas locales.

Si la normativa lo permite y se utiliza un cable de toma a tierra independiente, se recomienda que un electricista calificado determine si la difracción de onda de tierra es la adecuada.

Una copia de las normas que se mencionaron anteriormente, se pueden obtener de:

National Fire Protection Association

1 Batterymarch Park

Quincy, MA 02169-7471

CSA International

8501 East Pleasant Valley Road

• Cleveland, OH 44131-5575

Se necesita un circuito eléctrico de 120 voltios, 60 hertzios, CA solamente, de 15 amperios y protegido con fusibles.

• Si la casa tiene cableado de aluminio, siga el procedimiento a continuación:

1. Conecte una sección de alambre de cobre sólido a los conductores flexibles.
2. Conecte el cableado de aluminio a la sección añadida de alambre de cobre usando conectores especiales y/o herramientas diseñadas y de la lista de UL para unir el cobre al aluminio.

Siga el procedimiento recomendado por el fabricante del conector eléctrico. La conexión de cobre/aluminio deberá hacerse en conformidad con los códigos locales y las prácticas de cableado aceptadas por la industria.

- Los tamaños de los cables y las conexiones deben cumplir de acuerdo con la clasificación del electrodoméstico, como se especifica en la placa de clasificación del modelo/de la serie. La placa del modelo/de la serie está ubicada detrás del filtro, en la pared posterior de la campana para cocina.
- El tamaño de los cables debe cumplir con los requisitos del National Electrical Code (Código Nacional Eléctrico), ANSI/NFPA 70 (última edición) o las normas de CSA C22.1-94/Canadian Electrical Code (Código Canadiense de Electricidad), Parte 1 y C22.2 N° 0-M91 (última edición), y todos los códigos y ordenanzas locales.

Si está provista de enchufe eléctrico, conecte la campana a una toma de corriente que cumpla con la normativa vigente y colocada en una posición accesible. Cuando no se disponga de enchufe eléctrico (conexión directa a la red eléctrica) o el enchufe no vaya a estar en una posición accesible después de la instalación, coloque un interruptor bipolar homologado en posición accesible que proporcione una desconexión total en condiciones de sobretensión de categoría III, de acuerdo con las normas locales de cableado.

## REQUISITOS DE VENTILACIÓN

### (Modelos con ducto de escape solamente)

- El sistema de ventilación debe terminar en el exterior, excepto para las instalaciones sin ducto de escape (con recirculación).
- No dirija la salida del sistema de ventilación hacia el desván u otra área cerrada.
- No utilice una cubierta de pared de tipo para lavandería de 4" (10,2 cm).
- Utilice ducto de escape de metal únicamente. Se recomienda un ducto de escape de metal rígido. No se recomienda ducto de escape de plástico u hoja metálica.
- El largo del sistema de ventilación y el número de codos se deben mantener al mínimo para proveer un funcionamiento eficaz.

### Para obtener el funcionamiento más eficaz y silencioso:

No use más de 3 codos de 90°.

- Asegúrese de que haya un mínimo de 24" (61 cm) de ducto de escape recto entre los codos, si se utiliza más de 1 codo.
- No instale 2 codos lado a lado.
- Use abrazaderas para sellar todas las juntas en el sistema de ventilación.
- El sistema de ventilación debe tener una compuerta. Si la cubierta del techo o la pared tiene una compuerta, no use la compuerta provista con la campana de cocina.
- Utilice masilla de calafateo para sellar la abertura exterior de la pared o el techo alrededor de la cubierta.
- El tamaño del ducto de escape debe ser uniforme.

### Métodos de Ventilación

Esta campana con escudete se ha ajustado de fábrica para tener una ventilación a través del techo o de la pared.

Se requiere un sistema de ventilación redondo de 6" (15,2 cm) para la instalación (no incluido). La abertura de ventilación de la campana es redonda, de 6" (15,2 cm).

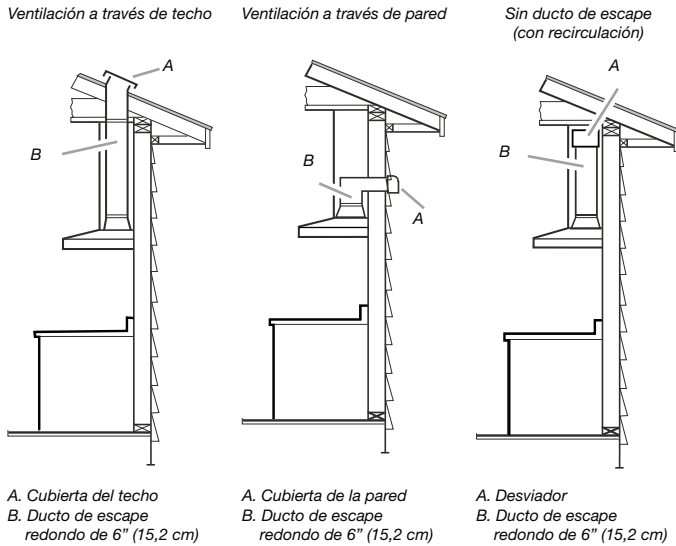
**NOTA:** No se recomienda el uso de ductos de escape flexibles. Los ductos de escape flexibles crean contrapresión y turbulencia de aire, lo cual reduce el desempeño en gran medida. El sistema de ventilación debe terminar a través del techo o la pared. Para colocar el ducto a través de la pared, se necesita un codo de 90°.

### Descarga Posterior

Se puede instalar un codo de 90° justo arriba de la campana.

## Para las instalaciones sin ducto de escape (Con Recirculación)

Si no es posible ventilar el humo y los vapores de la cocción al exterior, la campana puede usarse en la versión sin ducto de escape (con recirculación), colocando un filtro de carbón y el desviador. El humo y los vapores son reciclados a través de la parte superior de la rejilla.



## INSTRUCCIONES DE INSTALACIÓN

### Preparación de la Ubicación

- Se recomienda que el sistema de ventilación sea instalado antes de que se instale la campana.
- Antes de hacer los recortes, asegúrese que haya suficiente espacio libre dentro del techo o la pared para el ducto de escape.
- Revise la altura de su techo y la altura máxima de la campana antes de seleccionarla.

1. Desconecte el suministro de energía.
2. Decida qué método de ventilación usar: a través del techo, de la pared o sin ducto.
3. Seleccione una superficie plana para ensamblar la campana para cocina. Cubra dicha superficie.

#### ADVERTENCIA

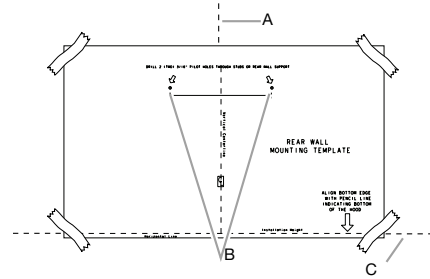
#### PARA REDUCIR RIESGO DE INCENDIO, CHOQUE ELÉCTRICO O LESIONES A PERSONAS, OBSERVE LO SIGUIENTE:

4. Con la ayuda de 2 ó más personas, levante la campana de cocina y colóquela en la superficie cubierta.

### Instalación de los tornillos de montaje de la campana

1. Determine y marque la línea central en la pared en donde se instalará la campana con escudete. Desconecte el suministro de energía.
2. Seleccione una altura de montaje entre un mínimo de 24" (61 cm) para una superficie de cocción eléctrica, un mínimo de 30" (76.2 cm) para una superficie de cocción a gas y un máximo sugerido de 36" (91.4 cm) por encima de la estufa hasta la base de la campana. Marque una línea de referencia en la pared.

3. Pegue la plantilla con cinta adhesiva en su lugar, alineando la línea central y la parte inferior de la misma con la línea de la base de la campana y con la línea central marcada en la pared.

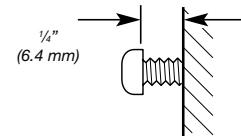


A. Línea central  
B. Ubicaciones para el ajustador  
C. Referencia para la altura de montaje (línea de la base de la campana)

4. Marque los centros de las ubicaciones de los ajustadores a través de la plantilla en la pared.

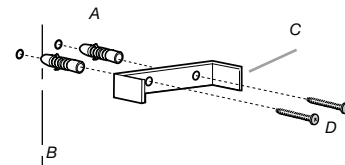
**IMPORTANTE:** Todos los tornillos de montaje de la campana deben instalarse en madera donde sea posible. Si no hay madera para instalar tornillos, es posible que se requieran soportes de marco de madera adicionales.

5. Retire la plantilla.
6. Taladre orificios piloto de  $\frac{3}{16}$ " (4.8 mm) en todas las ubicaciones donde se vayan a instalar los tornillos en madera.
7. Instale los 2 tornillos de montaje de 5 x 45 mm. Deje un espacio de  $\frac{1}{4}$ " (6.4 mm) entre la pared y la parte posterior de la cabeza del tornillo para deslizar la campana de cocina en su lugar.



#### Instalación del soporte de la cubierta del ducto

1. Sujete el soporte de la cubierta del ducto a la pared alineado con el techo usando 2 tornillos de 5x45 mm.



A. Taquetes de 8 x 40 mm  
B. Línea central en la pared  
C. Soporte de la cubierta del ducto  
D. Tornillos de 5 x 45 mm

#### Complete la Operación

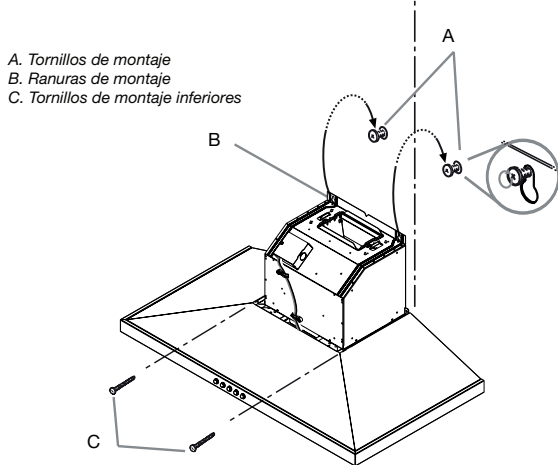
1. Determine y haga todos los cortes necesarios en la pared para el sistema de ventilación. Instale el sistema de ventilación antes de instalar la campana. Vea la sección "Requisitos de ventilación".
2. Determine la altura necesaria para el cable de suministro eléctrico de la casa y taladre un orificio de  $\frac{1}{4}$ " (3.2 cm) en esa ubicación.
3. Haga pasar el cable de suministro de energía de la casa según las normas del National Electrical Code (Código Nacional eléctrico) o CSA (Asociación de normalización Canadiense) y los códigos y ordenanzas locales. Debe haber suficiente conducto de  $\frac{1}{2}$ " y alambres de la caja de desconexión con fusible (o cortacircuitos) para hacer la conexión en la caja eléctrica de terminales de la campana.

**NOTA:** No restablezca la electricidad hasta que se complete la instalación.

4. Use masilla de calafateo para sellar todas las aberturas.

## INSTALACIÓN DE LA CAMPANA

1. Con la ayuda de dos ó más personas, cuelgue la campana para cocina sobre 2 tornillos de montaje a través de las ranuras de montaje que están sobre la parte posterior de la campana.

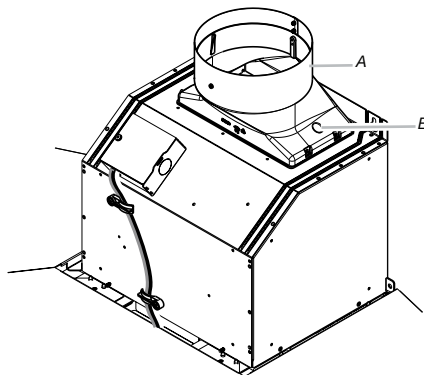


- A. Tornillos de montaje
- B. Ranuras de montaje
- C. Tornillos de montaje inferiores

2. Señale con un lápiz las ubicaciones de los agujeros inferiores.
3. Desinstale el ensamblaje de la campana y taladre orificios piloto de  $\frac{3}{16}$ " (4.8 mm) en las ubicaciones marcadas.
4. Coloque de nuevo la campana de cocina en 2 tornillos de montaje superiores.
5. Nivele la campana para cocina y apriete los tornillos de montaje superiores.
6. Instale 2 tornillos de montaje inferiores de 5 x 45 mm y apriételos. Use los taquetes de pared optativos si es necesario.

## CONEXIÓN DEL SISTEMA DE VENTILACIÓN

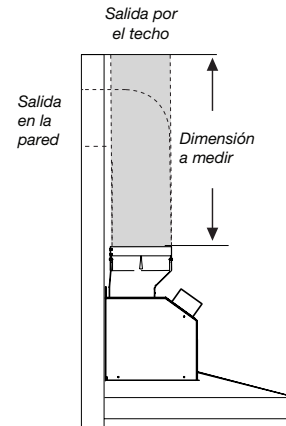
1. Instale la pieza de transición encima de la campana (si se ha quitado para el envío) con 2 tornillos para lámina metálica de 3.5 x 9.5 mm.



- A. Transición
- B. Tornillos de 3.5 x 9.5

**Solamente para las instalaciones con ducto de escape:**

1. Haga encajar el sistema del ducto de escape sobre la salida de escape.
2. Mida desde la parte inferior del desviador de aire hasta la parte inferior de la salida de la campana. Corte el ducto al tamaño medido.



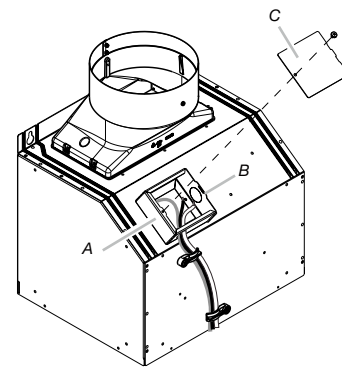
3. Selle la conexión con las abrazaderas.
4. Verifique que las compuertas de contratiro funcionen adecuadamente

## CONEXIÓN ELÉCTRICA

**ADVERTENCIA: Peligro de Choque Eléctrico**  
Desconecte el suministro de energía antes de darle mantenimiento.

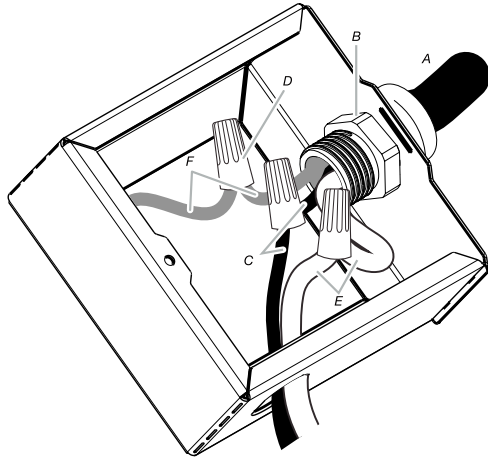
**Vuelva a colocar todos los componentes y paneles antes de hacerlo funcionar. No seguir estas instrucciones puede ocasionar la muerte o choque eléctrico.**

1. Desconecte el suministro de energía.
2. Retire la caja de terminales.
3. Quite el disco removible que está en la caja de terminales e instale un protector de cables de  $\frac{1}{2}$ " que esté en la lista de UL o esté aprobado por CSA.



- A. Caja Eléctrica
- B. Disco Removible
- C. Cubierta de la Caja Eléctrica

- Haga pasar el cableado de suministro de energía doméstico a través del protector de cables, dentro de la caja de terminales.



- |  |   |
|--|---|
| A. Cable de suministro de energía doméstico                          | D. Conectores de cables aprobados por UL                              |
| B. Protector de cables que esté en la lista de UL o aprobado por CSA | E. Cables blancos   |
| C. Cables negros   | F. Cables verdes (o desnudos) y amarillos - verdes de puesta a tierra |

- Use conectores de alambres que estén en la lista de UL y conecte los alambres negros (C) juntos.
- Use conectores de alambres que estén en la lista de UL y conecte los alambres blancos (E) juntos.

**ADVERTENCIA: Peligro de Choque Eléctrico**  
**Conecte el soplador a tierra.**

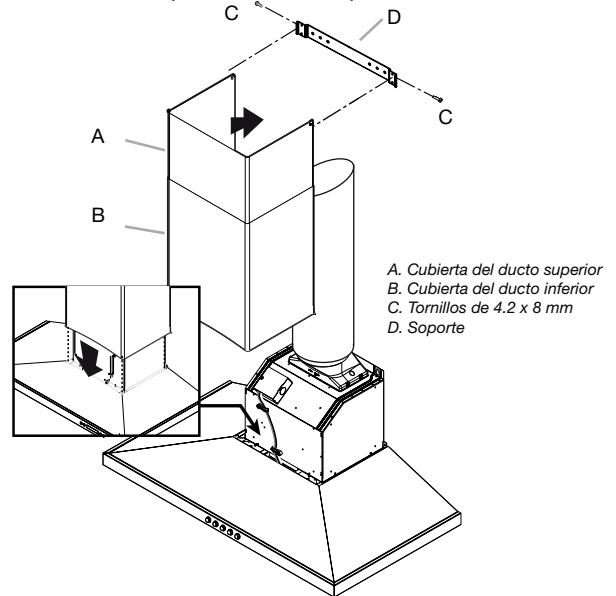
**Conecte el alambre de tierra al alambre verde y amarillo de conexión a tierra en la caja de terminales. No seguir estas instrucciones puede ocasionar la muerte o choque eléctrico.**

- Conecte el alambre verde (o desnudo) de puesta a tierra del suministro de energía doméstico al alambre amarillo - verde de puesta a tierra (F) en la caja de terminales usando conectores de alambres que estén en la lista de UL.
- Apriete el tornillo del protector de cables.
- Instale la cubierta de la caja de terminales.
- Reconecte el suministro de energía.

## INSTALACIÓN DE CUBIERTAS DEL DUCTO

Cuando use ambas cubiertas del ducto de escape (superior e inferior), empuje la cubierta inferior hacia abajo, sobre la campana y levante la cubierta superior hacia el techo e instale con 2 tornillos de montaje.

**NOTA:** Para las instalaciones con ducto de escape, la cubierta superior del ducto puede invertirse para ocultar las ranuras.



- |                                |
|--------------------------------|
| A. Cubierta del ducto superior |
| B. Cubierta del ducto inferior |
| C. Tornillos de 4.2 x 8 mm     |
| D. Soporte                     |

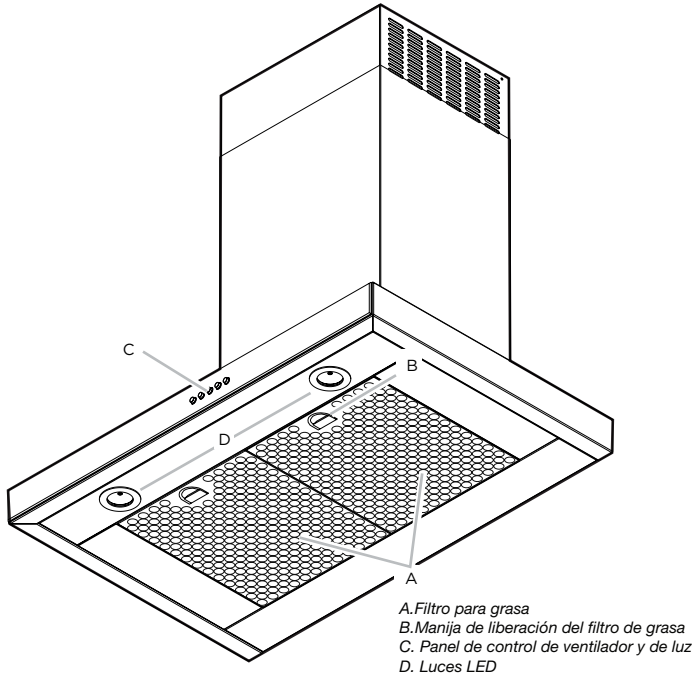
## COMPLETE LA INSTALACIÓN

- Solamente para las instalaciones sin ventilación (con recirculación), instale los filtros de carbón sobre el filtro de metal para grasa. Consulte la sección "Cuidado de la campana".
- Instale los filtros de metal. Consulte la sección "Cuidado de la campana".
- Verifique el funcionamiento del soplador de la campana para cocina y la luz. Consulte la sección "Uso de la campana".  
**NOTA:** Para obtener un uso más eficaz de su nueva campana de cocina, lea la sección "Uso de la campana".

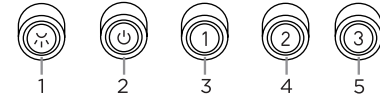
## USO DE LA CAMPANA

La campana para cocina se ha diseñado para remover humo, vapores provenientes de la cocción y olores del área de la superficie de cocción. Para obtener mejores resultados, encienda la campana antes de cocinar y permita que funcione por varios minutos después de haber cocinado, para que quite todo el humo y los olores de la cocina.

Los controles de la campana están ubicados en el lado frontal del escudete.



## CONTROL



1. Botón de encendido/apagado de la luz
2. Botón de encendido/apagado del motor
3. Botón de velocidad mínima del motor
4. Botón de velocidad media del motor
5. Botón de velocidad máxima del motor

**NOTA:** Los botones de control se iluminan cuando la campana extractora está encendida.

### Funcionamiento de la luz

El botón de encendido/apagado de la luz (1) controla ambas luces. Pulse una vez para encenderla y otra para apagarla.

### Funcionamiento del motor

El botón de Encendido/Apagado del soplador (2) enciende o apaga el soplador.

Los botones de velocidad del motor (3, 4 y 5) ajustan la velocidad deseada y controlan el nivel de sonido para un funcionamiento silencioso. La velocidad puede cambiarse en cualquier momento durante el funcionamiento del ventilador pulsando el botón de velocidad del motor deseado.

1. Para encender el motor, pulse el botón de encendido/apagado del ventilador (2) y el botón de velocidad deseado (3, 4 o 5).
1. Para apagar el motor, pulse el botón de encendido/apagado del ventilador (2).

Cualquiera de los 3 botones de velocidad del motor puede estar en la posición de encendido al mismo tiempo. El motor funcionará a la velocidad más alta que se haya pulsado. Para velocidades más bajas del motor, los botones de velocidad más altos no deben ser presionados.

## CUIDADO DE LA CAMPANA

### Limpieza

**IMPORTANTE:** Limpie con frecuencia la campana y los filtros para grasa de acuerdo a las instrucciones a continuación. Vuelva a colocar los filtros para grasa antes de poner a funcionar la campana.

### Superficies Exteriores:

Para evitar daños a la superficie exterior, no use estropajos de acero ni jabonosos.

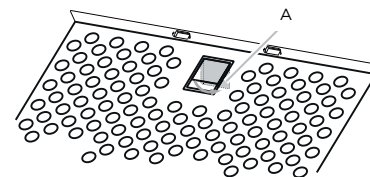
Siempre séquela con un paño para evitar manchas de agua.

### Método de Limpieza:

- Detergente líquido y agua o producto de limpieza general.
- Límpielo con un paño suave húmedo o una esponja no abrasiva, enjuáguelo con agua limpia y séquelo con un paño.
- No use productos de limpieza que contengan cloro.

### Filtro de Metal para Grasa:

1. Para quitar el filtro, jale la manija de liberación con resorte y jale el filtro hacia abajo.



A. Manija de liberación con resorte

2. Lave los filtros de metal cuando sea necesario en la lavavajillas o con una solución caliente de detergente
3. Vuelva a instalar el filtro asegurándose de que las manijas de liberación con resorte estén mirando hacia el frente. Inserte el filtro de aluminio dentro de la guía superior.
4. Empuje hacia dentro la manija de liberación con resorte.
5. Empuje el filtro de metal hacia arriba y suelte la manija para que se trabe en su lugar.

### Reemplazo de Lámpara LED

Los luces LED son reemplazables sólo por un técnico de servicio. Para obtener información de contacto del servicio, lea la información de la página siguiente.

# ELICA North America

## GARANTÍA LIMITADA DE DOS AÑOS

Registre su producto en

**elica.com**

y gane un 3<sup>er</sup> año de garantía de fábrica que cubre todas las partes además de la mano de obra.

### PARA OBTENER SERVICIO DENTRO DE GARANTÍA

El propietario debe presentar su recibo original de la compra. Guarde por favor una copia de su recibo de compra como prueba, para recibir el servicio dentro del periodo de garantía.

### PARTES Y GARANTÍA DE SERVICIO

Por el periodo de dos (2) años desde la fecha original de la compra, Elica proveerá, gratuitamente, partes no-consumibles o componentes que hayan fallado debido a defectos de fabricación. Durante estos dos (2) años de garantía limitada, Elica también proveerá gratuitamente, todo el servicio en casa y mano de obra necesaria para reemplazar cualquier parte defectuosa.

### QUÉ NO ESTÁ CUBIERTO

- Daños o fallas del producto causados por accidente o actos de Dios, tales como inundaciones incendios o terremotos.
- Daños o fallas causadas por alteración del producto o por el uso de partes no-originales.
- Daños o fallas del producto causados durante la entrega, manejo o instalación.
- Daños o fallas del producto causados por abuso del usuario.
- Daños o fallas del producto causados por reemplazo de fusibles dañados o reseteo de interruptor de circuito.
- Daño o fallas causados por el uso del producto en un ambiente comercial (no doméstico).
- Viajes de servicio para proporcionar orientación de uso o instalación.
- Bombillas, filtros de carbón o metal y cualquier otra parte consumible.
- Desgaste normal.
- Desgaste terminal debido a abusos del usuario, mantenimiento inadecuado, uso de productos / toallas de limpieza corrosivos o abrasivos y por uso de limpiadores para hornos.
- Cuando el producto no hubiese sido operado de acuerdo con el instructivo de uso que se le acompaña.

### QUIÉN ESTÁ CUBIERTO

Esta garantía se extiende al comprador original de productos adquiridos para uso residencial en Norte América (incluyendo Estados Unidos, Guam, Puerto Rico, Islas Vírgenes de EU y Canadá).

Esta garantía no es transferible y aplica solamente al comprador original y no se extiende a propietarios subsecuentes del producto. Esta garantía se expresa en lugar de otras garantías, expresadas o implícitas, incluyendo, pero no limitada a ninguna garantía implícita de comercialización o adaptada para propósitos particulares y cualquier otra obligación por parte de Elica North America, considerando, sin embargo, que si la negación de garantías implícitas es inefectiva bajo la ley aplicable, la duración de cualquier garantía implícita será limitada a dos (2) años desde la fecha original de compra o por el periodo necesario como sea requerido por la ley aplicable.

Esta garantía no cubre cualquier daño especial, incidental y/o consecuente, ni pérdidas de ganancias, sufridas por el comprador original, sus clientes y/o usuarios del producto.

### A QUIÉN CONTACTAR

Para obtener Servicio bajo Garantía o para cualquier pregunta relacionada a Servicio:  
Favor de llamar a:

- **USA & CANADA - Provincias Occidentales**  
**SERVICE POWER**  
888 732 8018  
elica@servicepower.com
- **CANADA - Provincia de Ontario**  
**AGI Services**  
888 651 2534  
service@agintl.qc.ca
- **CANADA - Provincias de Quebec & Atlántico**  
**Ateliers G. Paquette**  
800 463 0119  
service@ateliersgpaquette.com

Para garantizar un rápido servicio postventa, cuando llame le pediremos que amablemente brinde la siguiente información que se indica en la placa de identificación que está dentro de la campana: **modelo de campana, 12 NC y fecha de compra en su factura original**. Para acceder a la placa de identificación, todo lo que tiene que hacer es quitar los filtros de grasa.

**12NC:** \_\_\_\_\_

**Modelo de campana:** \_\_\_\_\_

**No. Serie:** \_\_\_\_\_

**Fecha de compra en su factura original:** \_\_\_\_\_

