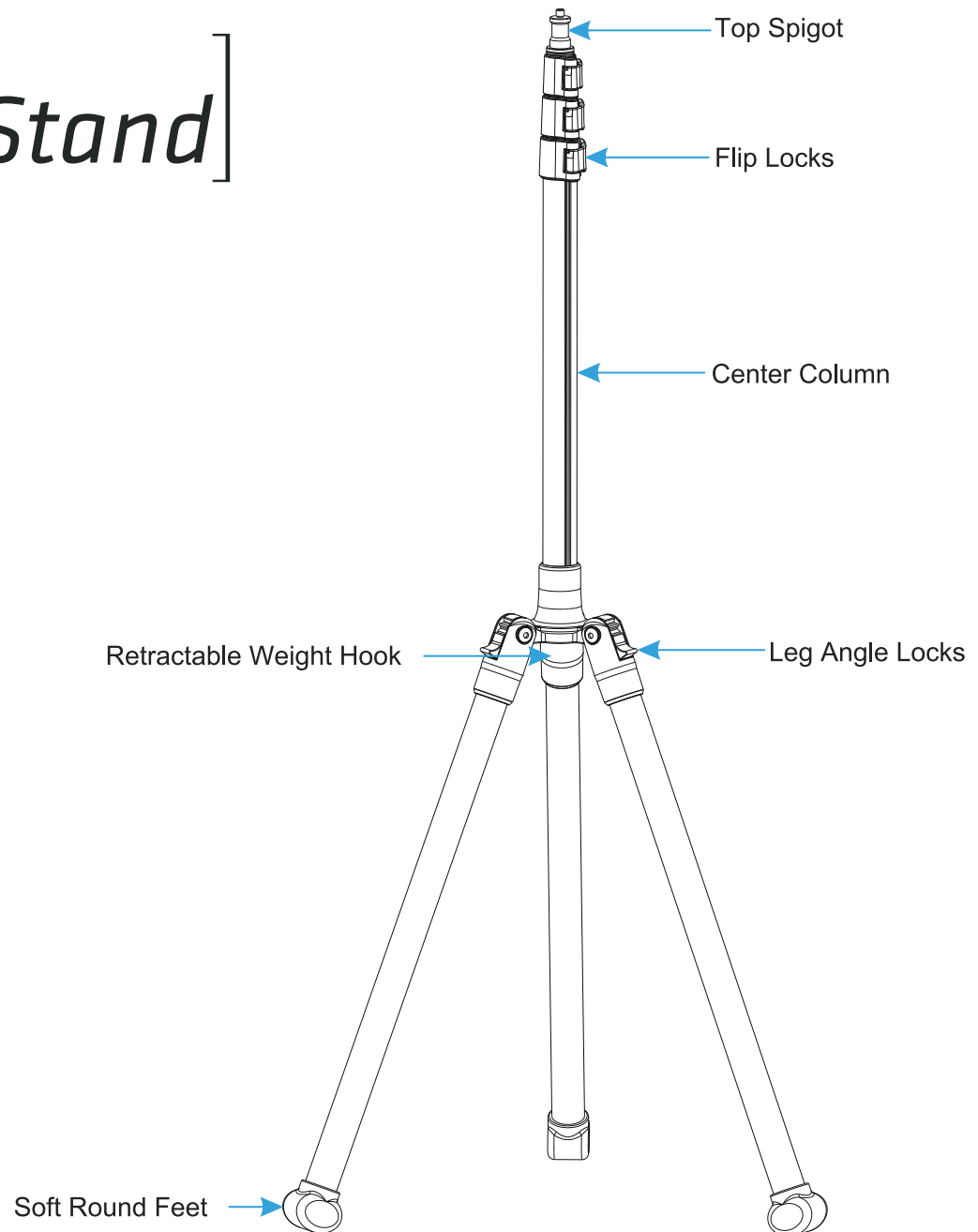


LS-RF [Reverse Folding
Light Stand]



How to use the LS-RF Light Stand:

The ProMaster LS-RF Reverse Folding Light Stand is compact and adaptable to a wide variety of situations both indoors and outdoors.

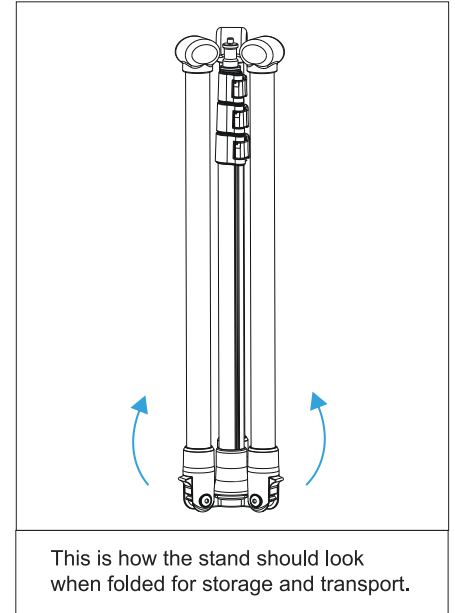
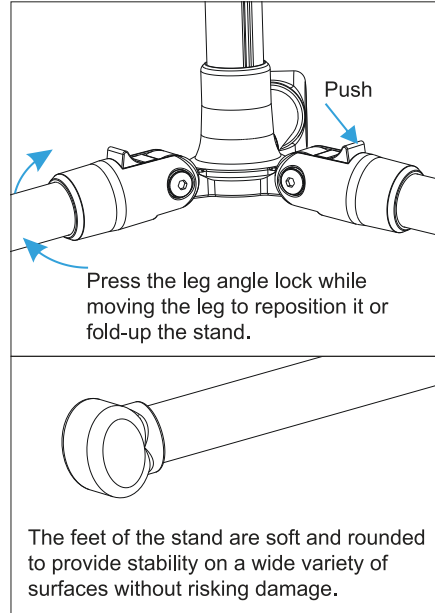
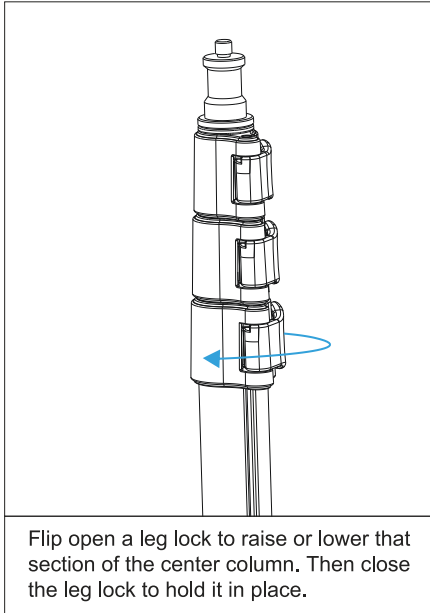
To use the stand, first unfold the legs from the storage position. Each leg's angle can be independently adjusted in one of 3 possible positions. Use the Leg Angle Locks for this.

Extend the Center Column to the desired height using the Flip Locks, starting with the lower section and working your way up. If you are not using the full height of the column, always extend its lower sections first for the best stability.

Add weight to the Retractable Weight Hook to provide greater stability and safety to the stand.

Attach your light to the top spigot. This is an industry standard 5/8" spigot with a 1/4"-20 threaded adapter.

Here are some close-up details of the stand.



Safety Precautions:

1. The maximum load for this stand is 6 lbs / 2.7 kg. Do not exceed this amount of weight on the stand.
2. Always be sure the stand is set up so the center column is straight up and down. If it is slanted there is a risk of the stand falling.
3. Whenever possible, use the legs in a wider-stance position for added safety and stability.
4. Use the retractable weight hook whenever possible to add weight and stability to the stand. Sand or shot bags can also be used as weights over the legs for stability.
5. Be sure each leg lock is fully closed before attaching a light to the top of the stand.
6. Be extra careful of using the stand outdoors in windy conditions as this will increase the risk of the stand falling.
7. Be sure each leg angle lock is properly seated into a set position before adding a light to the stand.
8. Always remove the light or accessory from the top of the stand before adjusting, moving, or collapsing the stand.

One Year Unconditional Warranty

If for any reason, this ProMaster product fails within ONE YEAR of the date of purchase, return this product to your ProMaster dealer and it will be exchanged for you at no charge. ProMaster products are guaranteed for ONE FULL YEAR against defects in workmanship and materials. If, at any time after one year, your ProMaster product fails under normal use, we invite you to return it to ProMaster for evaluation.

Code 61005
Made in China

WWW.PROMASTER.COM | FAIRFIELD, CT 06825