

Product information presented here reflects conditions at time of publication. Consult factory regarding discrepancies or inconsistencies.

MAIL TO: P.O. BOX 16347 • Louisville, KY 40256-0347
SHIP TO: 3649 Cane Run Road • Louisville, KY 40211-1961
TEL: (502) 778-2731 • 1 (800) 928-PUMP • FAX: (502) 774-3624

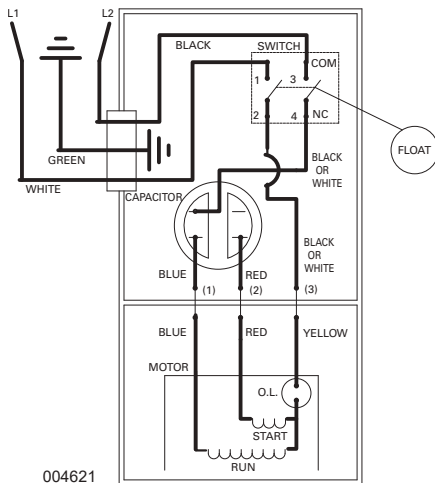
Visit our website:
zoellerpumps.com

REPLACEMENT PARTS LIST FOR MODELS:

PERMANENT SPLIT CAPACITOR MOTOR DESIGN
FOR SPLIT PHASE MOTOR DESIGN
(SEE PAGE 5)

M267 AUTOMATIC 115V
D267 AUTOMATIC 230V
N267 NONAUTOMATIC 115V
E267 NONAUTOMATIC 230V

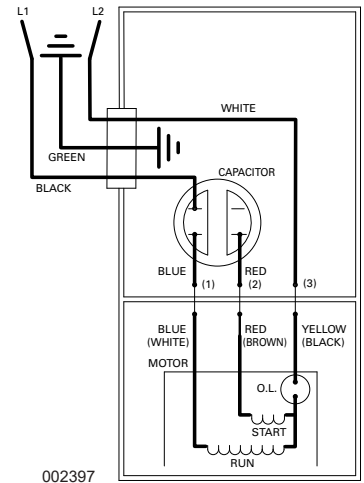
H267 AUTOMATIC 200V/1PH
I267 NONAUTOMATIC 200V/1PH
J267 NONAUTOMATIC 200V/3PH
F267 NONAUTOMATIC 230V/3PH
G267 NONAUTOMATIC 460V/3PH



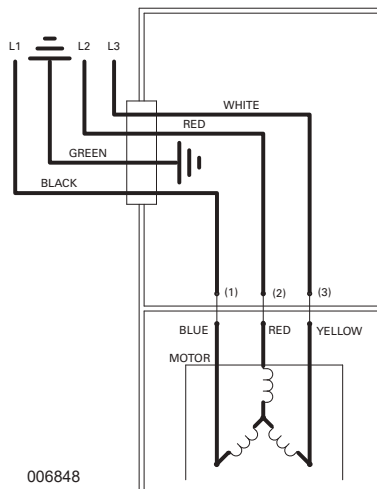
004621
WIRING DIAGRAM FOR MODELS
"M267", "D267", and "H267"

TO ORDER REPLACEMENT PARTS
PLEASE FURNISH THE FOLLOWING INFORMATION:

- Model number
- Part number of pump
- Part number and description of part



002397
WIRING DIAGRAM FOR MODELS
"N267", "E267", and "I267"



006848
WIRING DIAGRAM FOR MODELS
"J267", "F267", and "G267"

REPLACEMENT PARTS LIST FOR MODELS "M267" & "N267"

See page 6 for illustration.

REF NO.	DESCRIPTION	QTY	NOTES	MODELS:			
				M267-G 05/18 thru 05/20	M267-H 06/20 thru Current	N267-G 05/18 thru 05/20	N267-H 06/20 thru Current
1	CASE ASSEMBLY - AUTOMATIC	1	3	004739	004739	N/A	N/A
	COVER ASSEMBLY - NON-AUTOMATIC		3	N/A	N/A	267051	267051
2	• HANDLE	1		267032	267032	267032	267032
3	CASE MACH. & GASKET - AUTOMATIC	1	3	155781	155781	N/A	N/A
	COVER MACH. & GASKET - NON-AUTOMATIC		3	N/A	N/A	267052	267052
4	• RETAINER - NON-AUTOMATIC	2	3	N/A	N/A	267053	267053
5	• GUARD - AUTOMATIC	1	3	267008	267008	N/A	N/A
6	• GASKET - CASE/COVER	1		267007	267007	267007	267007
7	• ARM AND SEAL ASSEMBLY	1	3	004741	004741	N/A	N/A
8	SWITCH ASSEMBLY	1	3	004740	004740	N/A	N/A
9	CAPACITOR ASSEMBLY	1		155782	156952	155782	156952
10	• WIRE PACKAGE	1		155783	155783	155783	155783
11	• CORD SEAL AND STRAIN RELIEF ASSEMBLY	1	4	155784	155784	155784	155784
12	CORD ASSEMBLY - STANDARD	1		010925	010925	155785	155785
13	MOTOR HOUSING ASSEMBLY	1		155786	156489	155786	156489
14	STATOR WITH SCREWS	1		155787	156490	155787	156490
15	• THRU WALL TERMINALS	3		003402	003402	003402	003402
16	• TEST PLUGS	2		034090	034090	034090	034090
17	ROTOR ASSEMBLY	1		155788	156955	155788	156955
18	• THRUST WASHER	1		002140	002140	002140	002140
19	• DIELECTRIC OIL	1		267056	267056	267056	267056
20	• MOTOR HOUSING SEAL	1		267006	267006	267006	267006
21	PUMP HOUSING - MACH.	1		003877	003877	003877	003877
22	• SHAFT SEAL ASSEMBLY	1		267027	267027	267027	267027
23	IMPELLER - PLASTIC	1		150857	150857	150857	150857
	IMPELLER - CAST IRON	1		003884	003884	003884	003884
24	BASE	1		008646	008646	008646	008646
25	FLOAT	1	3	034019	034019	N/A	N/A
26	FLOAT ROD	1	3	001526	001526	N/A	N/A
27	FLOAT ROD GUIDE ASSEMBLY	1	3	004676	004676	N/A	N/A
28	• SCREW - CASE & BASE (1/4-20 X 3/4" LONG)	9		001916	001916	001916	001916
29	• SCREW - SWITCH (#6-32 X 7/16" LONG)	2	3	004644	004644	N/A	N/A
30	• SCREW - GROUND & CAPACITOR (#6-32 X 1/4" LONG)	1		001877	001877	001877	001877
31	• SCREW - MOTOR HOUSING (1/4-20 X 7/8" LONG)	4		012491	012491	012491	012491
32	• SCREW - STATOR (#8-32 X 3 1/16" LONG)	2		154768	154768	154768	154768
33	• SCREW - GUARD & RETAINERS/GUIDE (#10-24 X 3/8" LONG)	3		001883	001883	001883	001883
34	NUT,5/16-24UNF SS ACORN/LOW CROWN	1	3	N/A	N/A	N/A	N/A
☐	REBUILD KIT	1		155789	155789	155789	155789

• Items included in Rebuild Kit.

☐ Not shown in illustration.

Service part notes:

- 1) If an "X" follows model no., or date mfg. on ID tag, consult factory for ordering any parts.
- 2) See FM0160 Parts Price Sheet for listing of part prices.
- 3) "N/A" indicates not applicable.
- 4) Strain relief clamp is not sold separately, must order cord seal assembly.
- 5) Cut plug off if required.

REPLACEMENT PARTS LIST FOR MODELS "D267" & "E267"

See page 6 for illustration.

REF NO.		DESCRIPTION	QTY	NOTES	MODELS:			
					D267-G 01/19 thru 05/20	D267-H 06/20 Current	E267-G 01/19 thru 05/20	E267-H 06/20 thru Current
1		CASE ASSEMBLY - AUTOMATIC	1	3	004739	004739	N/A	N/A
		COVER ASSEMBLY - NON-AUTOMATIC		3	N/A	N/A	267051	267051
2	•	HANDLE	1		267032	267032	267032	267032
3		CASE MACH. & GASKET - AUTOMATIC	1	3	155781	155781	N/A	N/A
		COVER MACH. & GASKET - NON-AUTOMATIC		3	N/A	N/A	267052	267052
4	•	RETAINER - NON-AUTOMATIC	2	3	N/A	N/A	267053	267053
5	•	GUARD - AUTOMATIC	1	3	267008	267008	N/A	N/A
6	•	GASKET - CASE/COVER	1		267007	267007	267007	267007
7	•	ARM AND SEAL ASSEMBLY	1	3	004741	004741	N/A	N/A
8		SWITCH ASSEMBLY	1	3	004740	004740	N/A	N/A
9		CAPACITOR ASSEMBLY	1		155782	156952	155782	156952
10	•	WIRE PACKAGE	1		155783	155783	155783	155783
11	•	CORD SEAL AND STRAIN RELIEF ASSEMBLY	1	4	155784	155784	155784	155784
12		CORD ASSEMBLY - STANDARD	1		010926	010926	155962	155962
13		MOTOR HOUSING ASSEMBLY	1		155786	156489	155786	156489
14		STATOR WITH SCREWS	1		155961	156491	155961	156491
15	•	THRU WALL TERMINALS	3		003402	003402	003402	003402
16	•	TEST PLUGS	2		034090	034090	034090	034090
17		ROTOR ASSEMBLY	1		155788	156955	155788	156955
18	•	THRUST WASHER	1		002140	002140	002140	002140
19	•	DIELECTRIC OIL	1		267056	267056	267056	267056
20	•	MOTOR HOUSING SEAL	1		267006	267006	267006	267006
21		PUMP HOUSING - MACH.	1		003877	003877	003877	003877
22	•	SHAFT SEAL ASSEMBLY	1		267027	267027	267027	267027
23		IMPELLER - PLASTIC	1		150857	150857	150857	150857
		IMPELLER - CAST IRON	1		003884	003884	003884	003884
24		BASE	1		008646	008646	008646	008646
25		FLOAT	1	3	034019	034019	N/A	N/A
26		FLOAT ROD	1	3	001526	001526	N/A	N/A
27		FLOAT ROD GUIDE ASSEMBLY	1	3	004676	004676	N/A	N/A
28	•	SCREW - CASE & BASE (1/4-20 X 3/4" LONG)	9		001916	001916	001916	001916
29	•	SCREW - SWITCH (#6-32 X 7/16" LONG)	2	3	004644	004644	N/A	N/A
30	•	SCREW - GROUND & CAPACITOR (#6-32 X 1/4" LONG)	1		001877	001877	001877	001877
31	•	SCREW - MOTOR HOUSING (1/4-20 X 7/8" LONG)	4		012491	012491	012491	012491
32	•	SCREW - STATOR (#8-32 X 3 1/16" LONG)	2		154768	154768	154768	154768
33	•	SCREW - GUARD & RETAINERS/GUIDE (#10-24 X 3/8" LONG)	3		001883	001883	001883	001883
34		NUT,5/16-24UNF SS ACORN/LOW CROWN	1	3	N/A	N/A	N/A	N/A
☐		REBUILD KIT	1		155789	155789	155789	155789

• Items included in Rebuild Kit.

☐ Not shown in illustration.

Service part notes:

- 1) If an "X" follows model no., or date mfg. on ID tag, consult factory for ordering any parts.
- 2) See FM0160 Parts Price Sheet for listing of part prices.
- 3) "N/A" indicates not applicable.
- 4) Strain relief clamp is not sold separately, must order cord seal assembly.
- 5) Cut plug off if required.

REPLACEMENT PARTS LIST FOR MODELS "H267" & "I267"

See page 6 for illustration.

REF NO.	DESCRIPTION	QTY	NOTES	MODELS:			
				H267-G 02/19 thru 05/20	H267-H 06/20 thru Current	I267-G 02/19 thru 05/20	I267-H 06/20 thru Current
1	CASE ASSEMBLY - AUTOMATIC	1	3	004739	004739	N/A	N/A
	COVER ASSEMBLY - NON-AUTOMATIC		3	N/A	N/A	267051	267051
2	• HANDLE	1		267032	267032	267032	267032
3	CASE MACH. & GASKET - AUTOMATIC	1	3	155781	155781	N/A	N/A
	COVER MACH. & GASKET - NON-AUTOMATIC		3	N/A	N/A	267052	267052
4	• RETAINER - NON-AUTOMATIC	2	3	N/A	N/A	267053	267053
5	• GUARD - AUTOMATIC	1	3	267008	267008	N/A	N/A
6	• GASKET - CASE/COVER	1		267007	267007	267007	267007
7	• ARM AND SEAL ASSEMBLY	1	3	004741	004741	N/A	N/A
8	SWITCH ASSEMBLY	1	3	004740	004740	N/A	N/A
9	CAPACITOR ASSEMBLY	1		155782	156952	155782	156952
10	• WIRE PACKAGE	1		155783	155783	155783	155783
11	• CORD SEAL AND STRAIN RELIEF ASSEMBLY	1	4	155784	155784	155784	155784
12	CORD ASSEMBLY - 1 PHASE - 3 WIRE NO PLUG	1	5	156032	156032	156033	156033
13	MOTOR HOUSING ASSEMBLY	1		155786	156489	155786	156489
14	STATOR WITH SCREWS	1		156034	156959	156034	156959
15	• THRU WALL TERMINALS	3		003402	003402	003402	003402
16	• TEST PLUGS	2		034090	034090	034090	034090
17	ROTOR ASSEMBLY	1		155788	156955	155788	156955
18	• THRUST WASHER	1		002140	002140	002140	002140
19	• DIELECTRIC OIL	1		267056	267056	267056	267056
20	• MOTOR HOUSING SEAL	1		267006	267006	267006	267006
21	PUMP HOUSING - MACH.	1		003877	003877	003877	003877
22	• SHAFT SEAL ASSEMBLY	1		267027	267027	267027	267027
23	IMPELLER - PLASTIC	1		150857	150857	150857	150857
	IMPELLER - CAST IRON	1		003884	003884	003884	003884
24	BASE	1		008646	008646	008646	008646
25	FLOAT	1	3	034019	034019	N/A	N/A
26	FLOAT ROD	1	3	001526	001526	N/A	N/A
27	FLOAT ROD GUIDE ASSEMBLY	1	3	004676	004676	N/A	N/A
28	• SCREW - CASE & BASE (1/4-20 X 3/4" LONG)	9		001916	001916	001916	001916
29	• SCREW - SWITCH (#6-32 X 7/16" LONG)	2	3	004644	004644	N/A	N/A
30	• SCREW - GROUND & CAPACITOR (#6-32 X 1/4" LONG)	1		001877	001877	001877	001877
31	• SCREW - MOTOR HOUSING (1/4-20 X 7/8" LONG)	4		012491	012491	012491	012491
32	• SCREW - STATOR (#8-32 X 3 1/16" LONG)	2		154768	154768	154768	154768
33	• SCREW - GUARD & RETAINERS/GUIDE (#10-24 X 3/8" LONG)	3		001883	001883	001883	001883
34	NUT,5/16-24UNF SS ACORN/LOW CROWN	1	3	N/A	N/A	N/A	N/A
☐	REBUILD KIT	1		155789	155789	155789	155789

• Items included in Rebuild Kit.

☐ Not shown in illustration.

Service part notes:

- 1) If an "X" follows model no., or date mfg. on ID tag, consult factory for ordering any parts.
- 2) See FM0160 Parts Price Sheet for listing of part prices.
- 3) "N/A" indicates not applicable.
- 4) Strain relief clamp is not sold separately, must order cord seal assembly.
- 5) Cut plug off if required.

REPLACEMENT PARTS LIST FOR MODELS "J267", "F267" & "I267"

See page 6 for illustration.

REF NO.	DESCRIPTION	QTY	NOTES	MODELS:					
				J267-F 01/19 thru 08/20	J267-G 09/20 thru Current	F267-F 01/19 thru 08/20	F267-G 09/20 thru Current	G267-G 02/19 thru 08/20	G267-H 09/20 thru Current
1	CASE ASSEMBLY - AUTOMATIC	1	3	N/A	N/A	N/A	N/A	N/A	N/A
	COVER ASSEMBLY - NON-AUTOMATIC			267051	267051	267051	267051	267051	267051
2	• HANDLE	1		267032	267032	267032	267032	267032	267032
3	CASE MACH. & GASKET - AUTOMATIC	1	3	N/A	N/A	N/A	N/A	N/A	N/A
	COVER MACH. & GASKET - NON-AUTOMATIC			267052	267052	267052	267052	267052	267052
4	• RETAINER - NON-AUTOMATIC	2		267053	267053	267053	267053	267053	267053
5	• GUARD - AUTOMATIC	1	3	N/A	N/A	N/A	N/A	N/A	N/A
6	• GASKET - CASE/COVER	1		267007	267007	267007	267007	267007	267007
7	• ARM AND SEAL ASSEMBLY	1	3	N/A	N/A	N/A	N/A	N/A	N/A
8	SWITCH ASSEMBLY	1	3	N/A	N/A	N/A	N/A	N/A	N/A
9	CAPACITOR ASSEMBLY	1	3	N/A	N/A	N/A	N/A	N/A	N/A
10	• WIRE PACKAGE	1	3	N/A	N/A	N/A	N/A	N/A	N/A
11	• CORD SEAL AND STRAIN RELIEF ASSEMBLY	1	4	155784	155784	155784	155784	155784	155784
12	CORD ASSEMBLY - 3 PHASE - 4 WIRE NO PLUG	1	5	003761	003761	003761	003761	003761	003761
13	MOTOR HOUSING ASSEMBLY	1		155786	156489	155786	156489	155786	156489
14	STATOR WITH SCREWS	1		156035	156960	156036	156962	156037	156966
15	• THRU WALL TERMINALS	3		003402	003402	003402	003402	003402	003402
16	• TEST PLUGS	2		034090	034090	034090	034090	034090	034090
17	ROTOR ASSEMBLY	1		156038	156961	156038	156961	156038	156961
18	• THRUST WASHER	1		002140	002140	002140	002140	002140	002140
19	• DIELECTRIC OIL	1		267056	267056	267056	267056	267056	267056
20	• MOTOR HOUSING SEAL	1		267006	267006	267006	267006	267006	267006
21	PUMP HOUSING - MACH.	1		003877	003877	003877	003877	003877	003877
22	• SHAFT SEAL ASSEMBLY	1		267027	267027	267027	267027	267027	267027
23	IMPELLER - PLASTIC	1	3	N/A	N/A	N/A	N/A	N/A	N/A
	IMPELLER - CAST IRON	1		009884	009884	009884	009884	009884	009884
24	BASE	1		008646	008646	008646	008646	008646	008646
25	FLOAT	1	3	N/A	N/A	N/A	N/A	N/A	N/A
26	FLOAT ROD	1	3	N/A	N/A	N/A	N/A	N/A	N/A
27	FLOAT ROD GUIDE ASSEMBLY	1	3	N/A	N/A	N/A	N/A	N/A	N/A
28	• SCREW - CASE & BASE (1/4-20 X 3/4" LONG)	9		001916	001916	001916	001916	001916	001916
29	• SCREW - SWITCH (#6-32 X 7/16" LONG)	2	3	N/A	N/A	N/A	N/A	N/A	N/A
30	• SCREW - GROUND & CAPACITOR (#6-32 X 1/4" LONG)	1		001877	001877	001877	001877	001877	001877
31	• SCREW - MOTOR HOUSING (1/4-20 X 7/8" LONG)	4		012491	012491	012491	012491	012491	012491
32	• SCREW - STATOR (#8-32 X 3 1/16" LONG)	2		154768	154768	154768	154768	154768	154768
33	• SCREW - GUARD & RETAINERS/GUIDE (#10-24 X 3/8" LONG)	3		001883	001883	001883	001883	001883	001883
34	NUT, 5/16-24UNF SS ACORN/LOW CROWN	1	3	004348	004348	004348	004348	004348	004348
□	REBUILD KIT	1		155789	155789	155789	155789	155789	155789

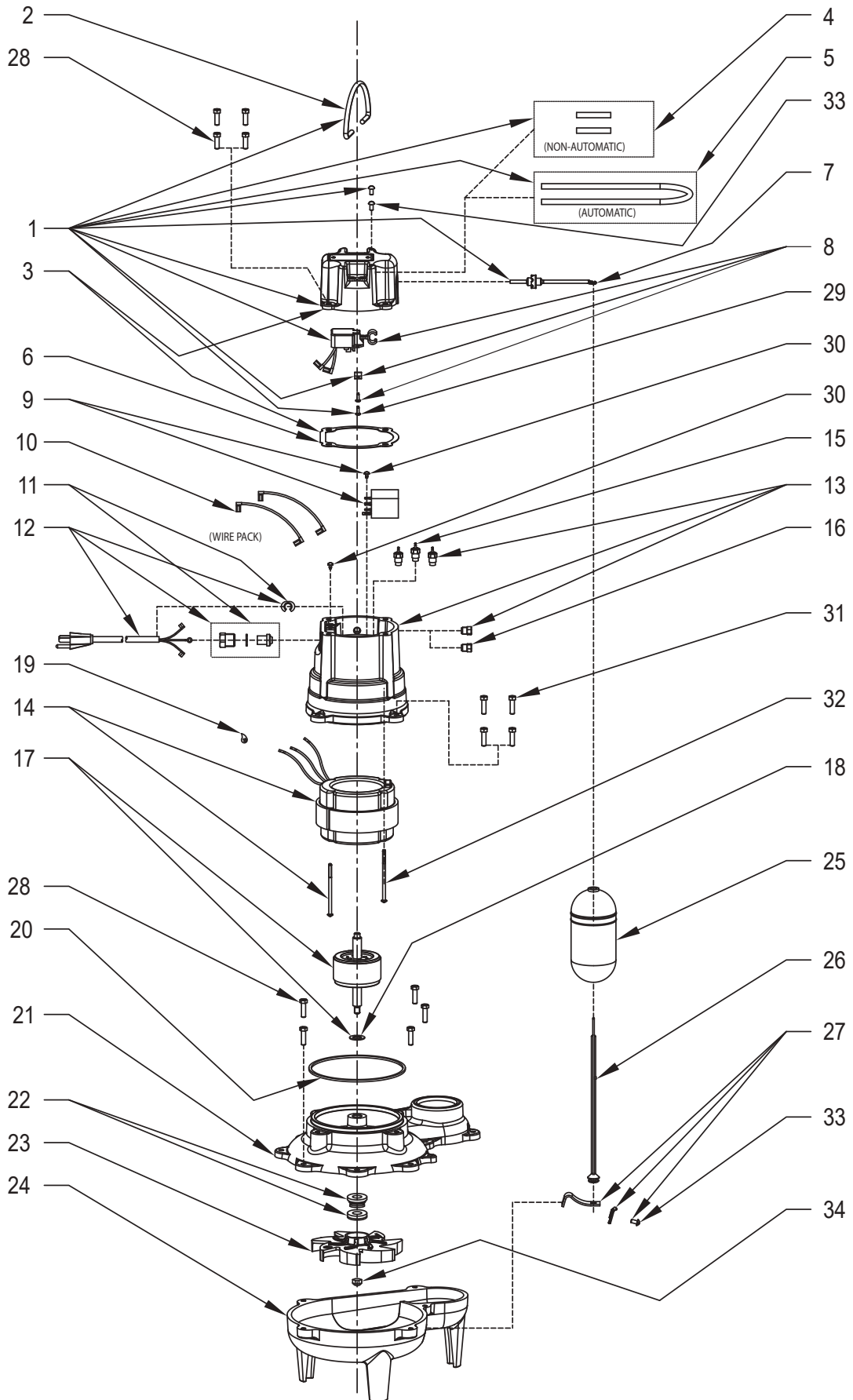
• Items included in Rebuild Kit.

□ Not shown in illustration.

Service part notes:

- 1) If an "X" follows model no., or date mfg. on ID tag, consult factory for ordering any parts.
- 2) See FM0160 Parts Price Sheet for listing of part prices.
- 3) "N/A" indicates not applicable.
- 4) Strain relief clamp is not sold separately, must order cord seal assembly.
- 5) Cut plug off if required.

REPLACEMENT PARTS ILLUSTRATION FOR ALL MODELS



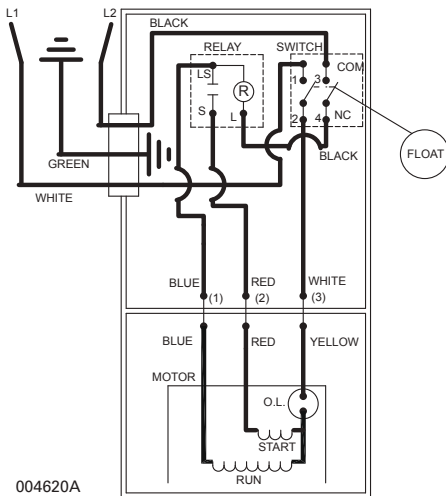
SK3198

REPLACEMENT PARTS LIST FOR MODELS:

SPLIT PHASE MOTOR DESIGN

M267 AUTOMATIC 115V
D267 AUTOMATIC 230V
N267 NONAUTOMATIC 115V
E267 NONAUTOMATIC 230V
**WM267 AUTOMATIC w/wired
float switch 115V**

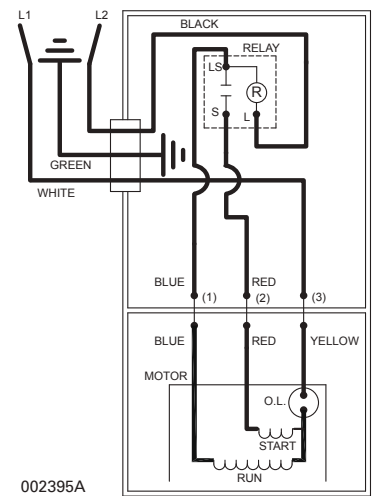
H267 AUTOMATIC 200V/1PH
I267 NONAUTOMATIC 200V/1PH
J267 NONAUTOMATIC 200V/3PH
F267 NONAUTOMATIC 230V/3PH
G267 NONAUTOMATIC 460V/3PH



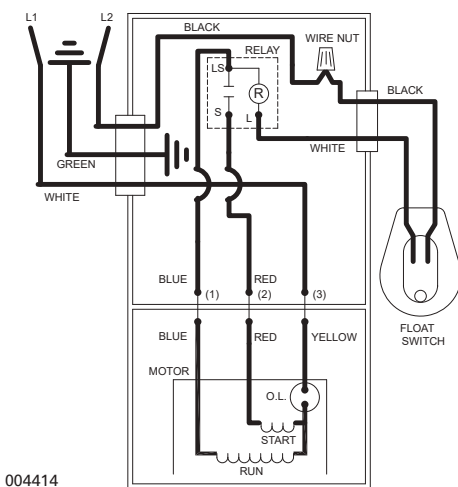
004620A
WIRING DIAGRAM FOR MODELS
“M267-F”, “D267-F”,
and “H267-F”
10/92 thru 04/18

TO ORDER REPLACEMENT PARTS
PLEASE FURNISH THE FOLLOWING INFORMATION:

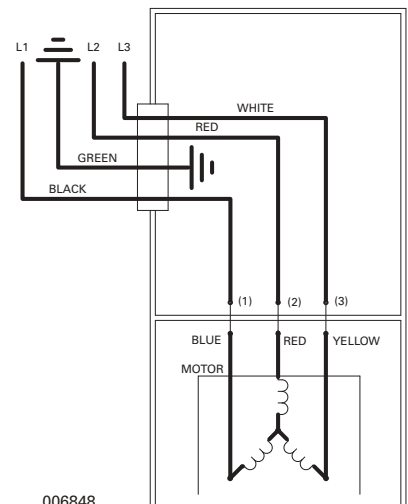
- Model number
- Part number of pump
- Part number and description of part



002395A
WIRING DIAGRAM FOR MODELS
“M267-F”, “E267-F”,
and “I267-F”
10/92 thru 04/18



004414
WIRING DIAGRAM FOR MODELS
“WM267-C”, “WM267-D”
10/92 thru 02/08



006848
WIRING DIAGRAM FOR MODELS
“J267-F”, “F267-F” and “G267-F”
10/92 thru 12/18

REPLACEMENT PARTS LIST FOR MODELS "M267", "D267" & "H267"

See page 9 for illustration.

REF. NO.	DESCRIPTION	QTY	NOTES	MODELS:		
				M267-F	D267-F	H267-F
				10/92 thru 04/18	10/92 thru 12/18	10/92 thru 01/19
1	CASE & SWITCH ASM	1	3	004739	004739	004739
2	• HANDLE	1		267032	267032	267032
3	CASE MACH.	1	3	004610	004610	004610
4	• GASKET,CASE/COVER	1		267007	267007	267007
5	RELAY ASM.	1		002474	147135	001536
6	• WIRE PACKAGE (2 WIRES)	1		267014	267014	267014
7	HOUSING, MOTOR & STATOR (REGAL-BELOIT)	1	1,2	002475	002476	003871
	HOUSING, MOTOR & STATOR (EMERSON)			014797	008642	N/A
8	CORD TERMINAL & SEAL ASM.	1	4	094071	094072	006930
9	• SEAL, CORD-ASM. & STRAIN RELIEF	1	4	094032	094032	011626
10	• GUARD	1		267008	267008	267008
11	• ARM & SEAL ASM.	1	3	004741	004741	004741
12	SWITCH ASM.	1	3	004740	004740	004740
13	FLOAT	1		034019	034019	034019
14	ROD, FLOAT	1		001526	001526	001526
15	ROTOR ASM. (REGAL-BELOIT)	1	2	267005	267005	267005
	ROTOR ASM. (EMERSON)			004021	004021	N/A
16	• SEAL, MOTOR HOUSING	1		267006	267006	267006
17	WASHER, THRUST	1		002140	002140	002140
18	HOUSING,PUMP-MACH.	1		003877	003877	003877
19	• SEAL,SHAFT-ASM.	1		267027	267027	267027
20	IMPELLER-PLASTIC	1		150857	150857	150857
	IMPELLER-CAST IRON			003884	003884	003884
21	BASE-MACH.	1		008646	008646	008646
22	GUIDE,FLOAT ROD - ASM.	1		004676	004676	004676
23	• OIL,DIELECTRIC	1		267056	267056	267056
24	• SEAL,THRU WALL TERMINAL	3		003402	003402	003402
25	• PLUG,TEST-WHITE	2		034090	034090	034090
26	• SCREW 1/4-20 X 3/4 LONG - HH MACH - SS	9		001916	001916	001916
27	• SCREW #10-24 X 3/8 LONG - ROUND HEAD - SS	3		001883	001883	001883
28	• SCREW #6-32 X 7/16 LONG	2		004644	004644	004644
29	• SCREW #6-32 X 1/4 LONG	3		001877	001877	001877
30	• SCREW 1/4-20 X 7/8 LONG - HH MACH - SS	4		012491	012491	012491
□	REBUILD KIT	1		004743	004743	004743

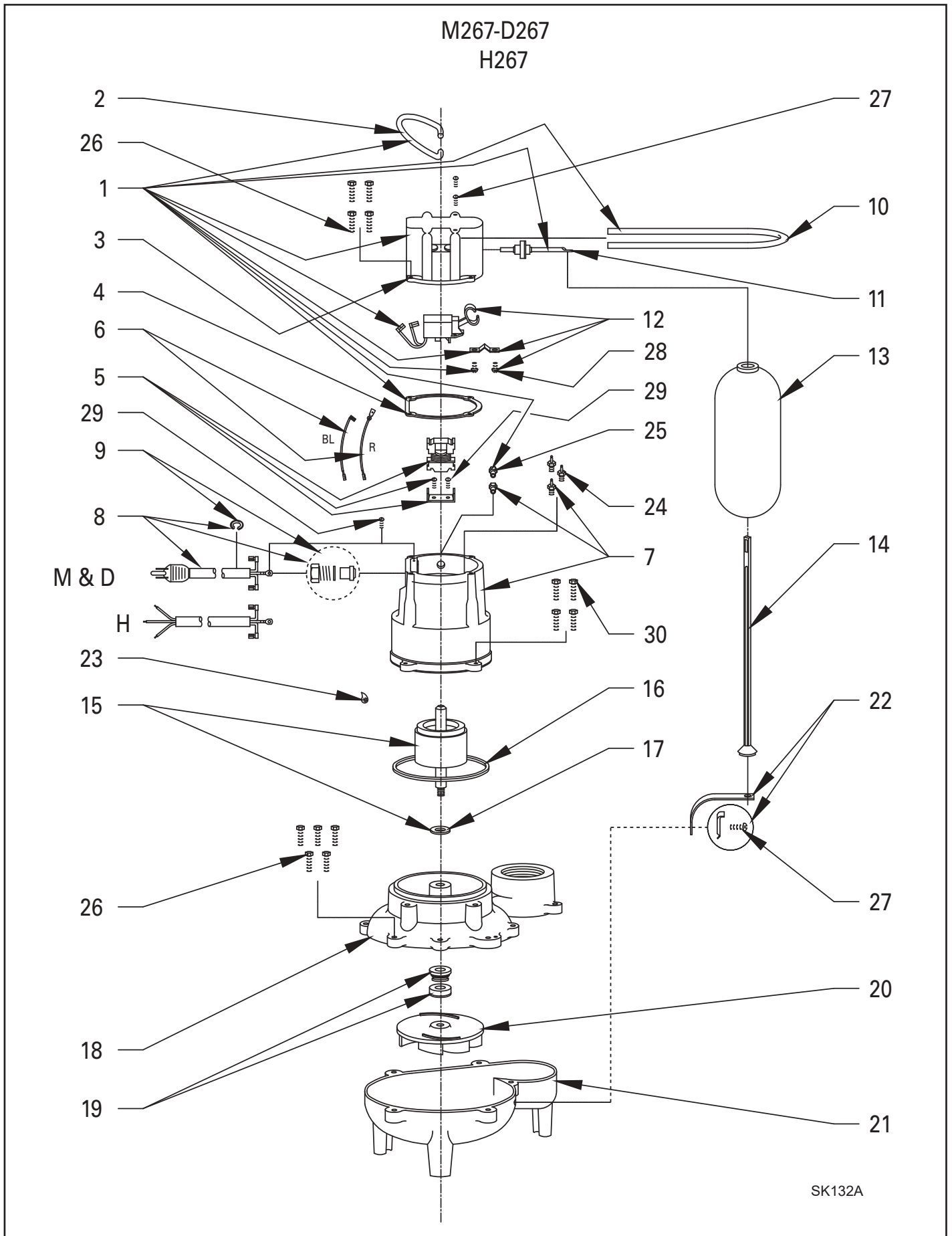
• Items included in Rebuild Kit.

□ Not shown in illustration.

NOTES:

- 1) Motor housing, bearing, stator & terminal are preassembled at the factory and must be replaced as a unit. Stator is permanently attached to the motor housing. White test plug, seal and thru wall terminals are replaceable.
- 2) When ordering motor housing, bearing, stator and terminal or rotor specify either GE or Emerson motor. GE motor can be identified by (4) half oval slots spaced at 90° around the outside diameter of the stator. Emerson motor can be identified by (2) half oval slots spaced at 180° around the outside diameter of the stator.
- 3) When ordering these parts, customer must identify if switch is a General Electric switch.
- 4) If an "X" follows model no., or date mfg. on brass ID tag, consult factory for ordering any parts.
- 5) See FM0160 parts price sheet for listing of parts prices.
- 6) "NA" indicates, not applicable.
- 7) Clamp, strain relief is not sold separately, must order seal, cord asm (Item 9).

REPLACEMENT PARTS ILLUSTRATION FOR MODELS "M267", "D267" & "H267"



**REPLACEMENT PARTS LIST FOR MODELS
"N267", "E267", "I267", "J267", "F267" & "G267"**

See page 11 for illustration.

REF. NO.	DESCRIPTION	QTY	NOTES	MODELS:					
				N267-F	E267-F	I267-F	J267-E	F267-E	G267-F
				10/92 thru 04/18	10/92 thru 12/18	10/92 thru 01/18	10/92 thru 12/18	10/92 thru 12/18	10/92 thru 01/19
1	COVER & HANDLE ASM	1		267051	267051	267051	267051	267051	267051
2	• HANDLE	1		267032	267032	267032	267032	267032	267032
3	COVER & GASKET/NON-AUTO	1		267052	267052	267052	267052	267052	267052
4	RETAINER,HANDLE/NON-AUTO	1		267053	267053	267053	267053	267053	267053
5	• GASKET,CASE/COVER	1		267007	267007	267007	267007	267007	267007
6	RELAY ASM.	1		002474	147135	001536	N/A	N/A	N/A
7	• WIRE PACKAGE (2 WIRES)	1		267014	267014	267014	N/A	N/A	N/A
8	HOUSING, MOTOR & STATOR (REGAL-BELOIT)	1	1,2	002475	002476	003781	009511	004966	009510
	HOUSING, MOTOR & STATOR (EMERSON)			014797	008642	N/A	N/A	N/A	N/A
9	CORD TERM&SEAL ASM	1	3	153878	153879	007071	003761	003761	003761
10	• SEAL, CORD-ASM. & STRAIN RELIEF	1	3	094032	094032	094032	094032	094032	094032
11	ROTOR ASM. (REGAL-BELOIT)	1	2	267005	267005	267005	009506	009506	009506
	ROTOR ASM. (EMERSON)			004021	004021	N/A	N/A	N/A	N/A
12	• SEAL, MOTOR HOUSING	1		267006	267006	267006	267006	267006	267006
13	• WASHER, THRUST	1		002140	002140	002140	002140	002140	002140
14	HOUSING,PUMP-MACH.	1		003877	003877	003877	003877	003877	003877
15	• OIL,DIELECTRIC	1		267056	267056	267056	267056	267056	267056
16	• SEAL,SHAFT-ASM.	1		267027	267027	267027	267027	267027	267027
17	IMPELLER-PLASTIC	1		150857	150857	150857	N/A	N/A	N/A
	IMPELLER-CAST IRON		003884	003884	003884	009884	009884	009884	
18	BASE-MACH.	1		008646	008646	008646	008646	008646	008646
19	• SEAL,THRU WALL TERMINAL	3		003402	003402	003402	003402	003402	003402
20	• PLUG,TEST-WHITE	2		034090	034090	034090	034090	034090	034090
21	NUT,5/16-24UNF SS ACORN/LOW CROWN	1		N/A	N/A	N/A	004348	004348	004348
22	• SCREW 1/4-20 X 3/4 LONG - HH MACH - SS	9		001916	001916	001916	001916	001916	001916
23	• SCREW #10-24 X 3/8 LONG - ROUND HEAD - SS	3		001883	001883	001883	001883	001883	001883
24	• SCREW #6-32 X 1/4 LONG	3		001877	001877	001877	001877	001877	001877
25	• SCREW 1/4-20 X 7/8 LONG - HH MACH - SS	4		012491	012491	012491	012491	012491	012491
□	REBUILD KIT	1		004743	004743	004743	004743	004743	004743

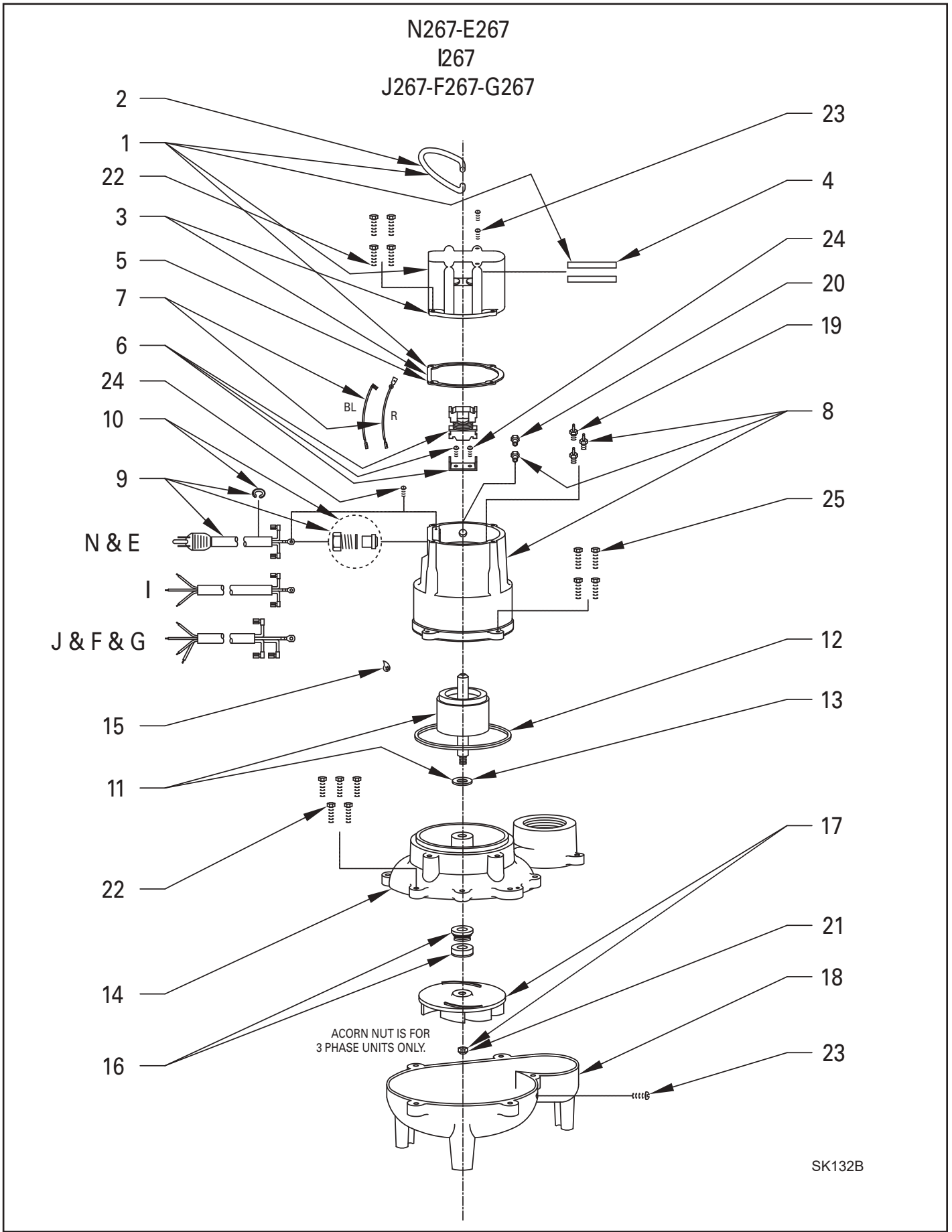
• Items included in Rebuild Kit.

□ Not shown in illustration.

NOTES:

- 1) Motor housing, bearing, stator & terminal are preassembled at the factory and must be replaced as a unit. Stator is permanently attached to the motor housing. White test plug, seal and thru wall terminals are replaceable.
- 2) When ordering motor housing, bearing, stator and terminal or rotor specify either GE or Emerson motor. GE motor can be identified by (4) half oval slots spaced at 90° around the outside diameter of the stator. Emerson motor can be identified by (2) half oval slots spaced at 180° around the outside diameter of the stator.
- 3) If an "X" follows model no., or date mfg. on brass ID tag, consult factory for ordering any parts.
- 4) See FM0160 parts price sheet for listing of parts prices.
- 5) "NA" indicates, not applicable.
- 6) Clamp, strain relief is not sold separately, must order seal, cord asm (Item 10).

**REPLACEMENT PARTS ILLUSTRATION FOR MODELS "N267",
"E267", "I267", "J267", "F267" & "G267"**



SK132B

REPLACEMENT PARTS LIST FOR MODEL "WM267"

See page 13 for "WM267" illustration.

REF. NO.	DESCRIPTION	QTY	NOTES	MODELS:	
				WM267-C	WM267-D
				10/92 thru 9/94	10/94 thru 02/08
1	COVER & HANDLE ASM	1		267051	267051
2	• HANDLE	1		267032	267032
3	COVER & GASKET/NON-AUTO	1		267052	267052
4	RETAINER,HANDLE/NON-AUTO	1		267053	267053
5	• GASKET,CASE/COVER	1		267007	267007
6	• RELAY ASM.	1		002474	002474
7	• WIRE PACKAGE (2 WIRES)	1		267014	267014
8	HOUSING, MOTOR & STATOR (REGAL-BELOIT)	1	1,2	004672	004672
	HOUSING, MOTOR & STATOR (EMERSON)			015451	015451
9	CORD TERMINAL & SEAL ASM.	1	3	006090	006090
10	• SEAL, CORD-ASM. & STRAIN RELIEF	1	3	094032	094032
11	ROTOR ASM. (REGAL-BELOIT)	1	2	267005	267005
	ROTOR ASM. (EMERSON)			004021	004021
12	• SEAL, MOTOR HOUSING	1		267006	267006
13	• WASHER, THRUST	1		002140	002140
14	HOUSING,PUMP-MACH.	1		004404	003877
15	• OIL,DIELECTRIC	1		267056	267056
16	• SEAL,SHAFT-ASM.	1		267027	267027
17	IMPELLER-PLASTIC	1		N/A	150857
	IMPELLER-CAST IRON			003884	003884
18	BASE-MACH.	1		008646	008646
19	• SEAL,THRU WALL TERMINAL	3		003402	003402
20	• PLUG,TEST-WHITE	2		034090	034090
21	SWITCH,VERT FLOAT-ASM "WM267" W/ FLOAT & BRKT	1		004485	009631
22	SEAL,CORD-ASM "WM267 PF & QJ"	1		004486	004486
23	CONNECTOR, WIRENUT	1		001776	001776
24	CLAMP,CABLE-NYLON	1		004413	N/A
25	• SCREW 1/4-20 X 3/4 LONG - HH MACH - SS	9		001916	001916
26	• SCREW #10-24 X 3/8 LONG - ROUND HEAD - SS	3		001883	001883
27	• SCREW #6-32 X 1/4 LONG	3		001877	001877
28	• SCREW 1/4-20 X 7/8 LONG - HH MACH - SS	4		012491	012491
29	SWITCH,VERT FLOAT-ASM "WM267" W/ FLOAT & BRKT	1		009630	009630
30	FLOAT ROD RETAINING PIN	1		N/A	009121
31	ROD, FLOAT	1		N/A	009118
32	FLOAT ROD STOP	2		N/A	009120
33	FLOAT	1		N/A	009119
34	BRACKET, SWITCH MTG.	1		N/A	009117
35	GROMMET, GUIDE	1		N/A	003052
36	SCREW,#8-32 X .625" PH R.H. TYPE F-410 S.S.	2		N/A	009111
37	CLAMP,#40HS WORM-SS	1		N/A	004304
*	REBUILD KIT	1		004743	004743

• Items included in Rebuild Kit.

□ Not shown in illustration.

NOTES:

- 1) Motor housing, bearing, stator & terminal are preassembled at the factory and must be replaced as a unit. Stator is permanently attached to the motor housing. White test plug, seal and thru wall terminals are replaceable.
- 2) When ordering motor housing, bearing, stator and terminal or rotor specify either GE or Emerson motor. GE motor can be identified by (4) half oval slots spaced at 90° around the outside diameter of the stator. Emerson motor can be identified by (2) half oval slots spaced at 180° around the outside diameter of the stator.
- 3) If an "X" follows model no., or date mfg. on brass ID tag, consult factory for ordering any parts.
- 4) See FM0160 parts price sheet for listing of parts prices.
- 5) "NA" indicates, not applicable.
- 6) Clamp, strain relief is not sold separately, must order Seal, cord asm (Item 10).

REPLACEMENT PARTS ILLUSTRATION FOR MODEL "WM267"

