

GSC22QGT

GE® CustomStyle™ 22.1 Cu. Ft. Side-By-Side Refrigerator with Dispenser

Dimensions and Installation Information (in inches)

| | | |
|--------------------|--|----------------|
| Overall Dimensions | Height to top of hinge (in.) A | 69-1/4 |
| | Height to top of case (in.) B | 68-3/4 |
| | Case depth without door (in.) C† | 23-7/8 |
| | Case depth less door handle (in.) D† | 26-3/4 |
| | Case depth with door handle (in.) E† | 29-3/16 |
| | Depth with fresh food door open 90° (in.) F† | 45-9/16 |
| | Width (in.) G | 35-3/4 |
| | Width with door open 90° inc. door handle (in.) H | 40-3/4 |
| Air Clearances | Each side (in.) | 1/8 |
| | Top (in.) | 1 |
| | Back (in.) | 1/2 |

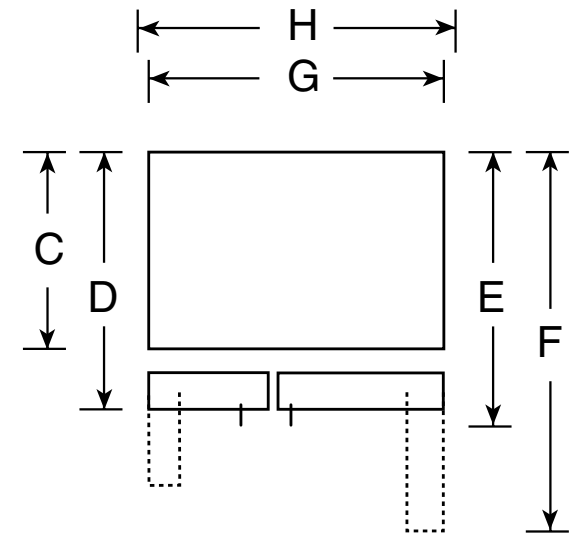
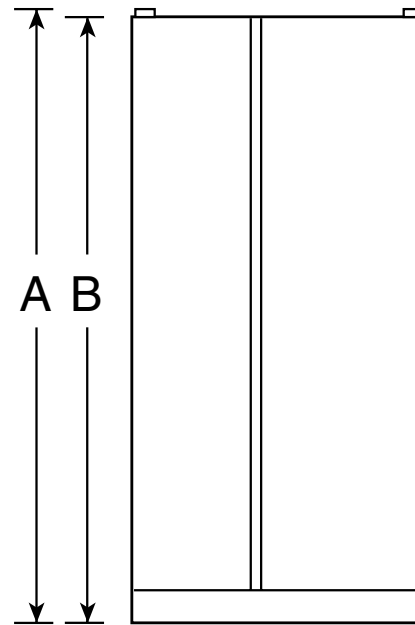
†Water hook-up fits in back air clearance when calculating installation depth.

If installed against a wall, allow clearance of 10-3/4" on freezer side to remove bin.

Clearance required to remove fresh food full-size pan without disassembling is 15".

Allow additional space for any necessary leveling adjustments.

For answers to your Monogram®, GE Profile™ or GE® appliance questions, visit our website at ge.com or call GE Answer Center® service, 800.626.2000.



Top View



Total volume and shelf area are calculated by the Association of Home Appliance Manufacturers' standards.

GSC22QGT

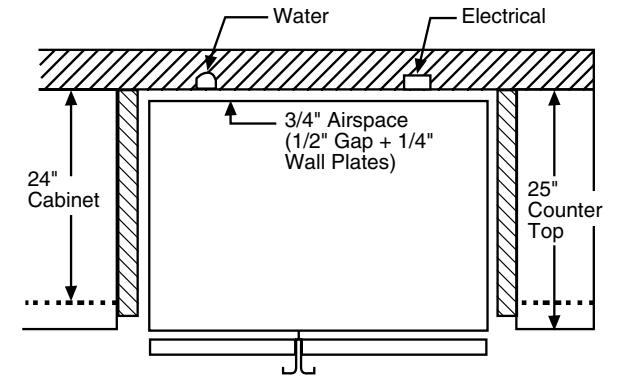
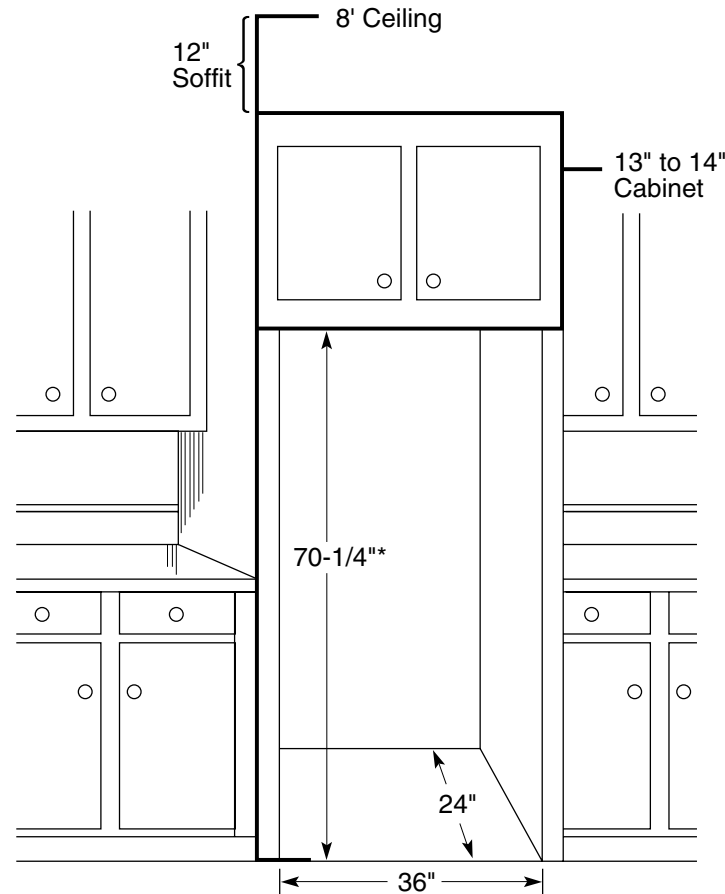
GE® CustomStyle™ 22.1 Cu. Ft. Side-By-Side Refrigerator with Dispenser

Rough-In Dimensions

Standard, New Construction and Replacement Installation

Installation Tips to Maximize the Built-In Look

- All wall/floor molding should be removed prior to installation.
- Water recess on rear wall recommended to prevent water line damage. 48" minimum length, 1/4" diameter water line tubing recommended.
- When possible, recess both copper water line and electrical outlet. (See local codes)
- Front and rear leveling legs are adjustable for the built-in look. (See owner's manual)
- If optional collar trim kit is to be used or anticipated, see collar trim installation on next page for different rough-in dimensions.



*The rough-in dimension of 70-1/4" is minimum and is measured from the finished floor to top of opening (or the underside of the overhead cabinets). For Models with Trim Kit: If frameless style cabinets are planned for above the refrigerator, you may need to consider adding a maximum of 1/4" (70-1/2") to height of opening to allow additional clearance between cabinet doors and top of refrigerator trim when cabinet doors are in open position.



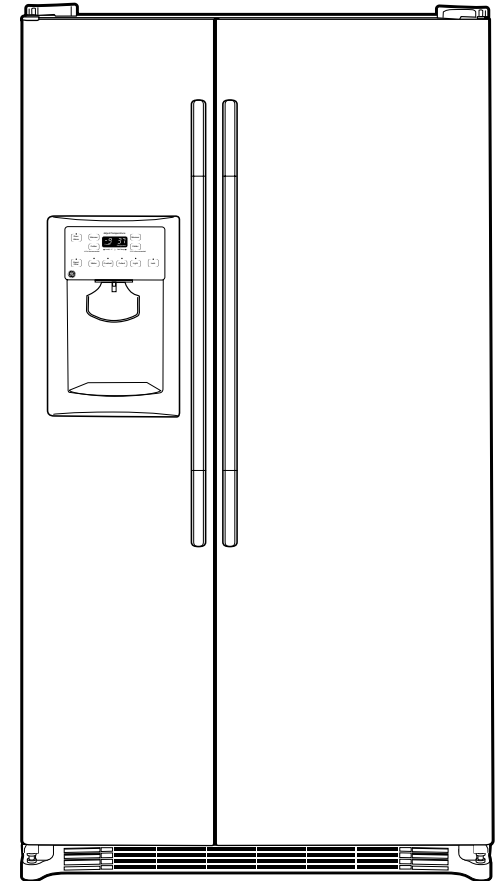
imagination at work

GSC22QGT

GE® CustomStyle™ 22.1 Cu. Ft. Side-By-Side Refrigerator with Dispenser

Features and Benefits

- CustomStyle™ Configuration - Offers a built-in look without the built-in expense
- External Controls with Actual Temperature Display, Child Lock and Door Alarm - Eliminates the guesswork in setting refrigerator temperatures; conveniently displayed on the dispenser
- Freshness Center™ - Maximizes shelf space and enhances interior appearance
- Integrated Shelf Support System - Provides strong, yet flexible support
- ClearLook™ Adjustable Gallon Door Bins - Store gallon containers with ease
- Adjustable Slide-Out, Spillproof Glass Shelves - Shelves slide out, spills stay put
- GE SmartWater™ Plus Filtration System - Delivers clean, great-tasting water and ice through the LightTouch!™ Dispenser with indicator light
- FrostGuard™ Technology - Protects frozen items from freezer burn by monitoring freezer door openings and defrosting only when needed
- Deluxe Quiet Design - Significantly reduces operating noise
- NeverClean™ Condenser - Condenser coils are encased, so they don't require cleaning in normal operating environments
- Model GSC22QGTWW - White on white
- Model GSC22QGTBB - Black on black



imagination at work