

# HDZ-W10

10" Alpine Status Subwoofer



## PRODUCT OVERVIEW

Experience superior bass performance with the Alpine Status 10" Subwoofer. Expertly engineered for the discerning audiophile, this subwoofer isn't merely an addition to your car audio system—it's an investment in unparalleled sound quality that transforms every drive into a live concert experience.

## PRODUCT FEATURES

**Superior Bass Performance** – Featuring the revolutionary Alpine HAMR (High Amplitude Multi-Roll) Surround technology, this subwoofer ensures maximum excursion and performance without compromising on sound quality. The carbon fiber dust cap and pulp-mica cone body are meticulously crafted to deliver durability and crystal-clear bass, even at high volumes.

**Power and Precision** - Power through your tracks with the robust 800W RMS (2400W peak) power handling. Coupled with triple-stacked high power strontium ferrite magnets, this subwoofer ensures impeccable control and responsiveness, delivering deep, resonating bass for a truly immersive listening experience.

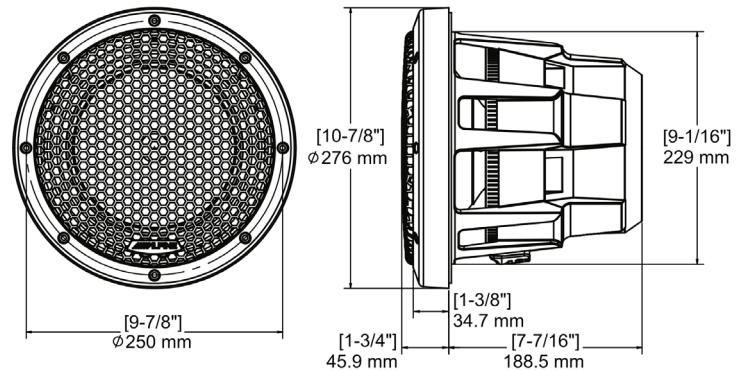
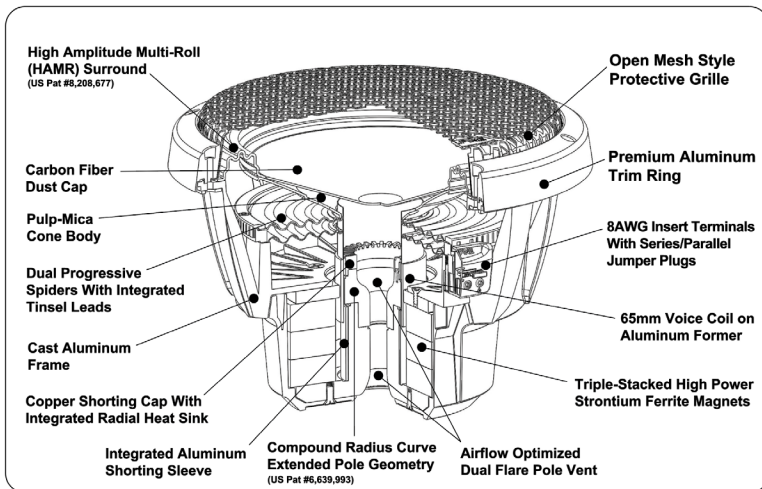
**Sleek Design, Lasting Durability** – Engineered with a cast aluminum frame and premium aluminum trim ring, every detail is crafted to merge style with endurance. The addition of an open mesh style protective grille not only enhances its durability but also ensures your subwoofer remains safeguarded without compromising appearance.

Join the elite ranks of audio enthusiasts who demand nothing but the best. With its unmatched performance and sophisticated design, the Alpine Status subwoofer elevates your car audio experience to new heights of excellence.



# HDZ-W10

10" Alpine Status Subwoofer



## GENERAL SPECS

- **Size:** 10"
- **Dimensions:** 10-7/8" x 10-7/8" x 9-1/4"
- **Mounting Depth:** 7-7/16"
- **Frequency Response:** 24Hz - 200Hz
- **Power Range:** 400W - 800W RMS
- **Power Handling:** 800W RMS / 2400W Peak
- **Magnet Weight:** 174 oz (x3)
- **Voice Coil Diameter:** 65.5 mm (2.6")

## THIELE-SMALL PARAMETERS

- **Sensitivity (1W/1m):** 82.2 dB
- **DC Resistance:** 6.36Ω
- **Inductance:** 36.3 mH
- **Free Air Resonance:** 33Hz
- **Equivalent Stiffness:** 15.24 L
- **Mechanical Q:** 5.43
- **Electrical Q:** 0.77
- **Total Q:** 0.68
- **Cone Area:** 305 cm<sup>2</sup>
- **Linear Excursion:** 20 mm
- **Mechanical Travel:** 82 mm

## BOX SPECS

### Sealed Box Range:

Net Internal Volume: 0.5 - 1.5 ft<sup>3</sup>

### Recommended Sealed Box:

External Dimensions: 13" x 16" x 11.5"

Gross Internal Volume: 0.97 ft<sup>3</sup>

Net Internal Volume: 0.85 ft<sup>3</sup>

F3, Qtc: 32Hz, 0.97

### Vented Box Range:

Net Internal Volume: 1.0 - 1.75 ft<sup>3</sup>

Tuning: 32-37Hz

### Recommended Vented Box:

External Dimensions: 13.25" x 23.5" x 13.25"

Gross Internal Volume: 1.76 ft<sup>3</sup>

Vent Area (W x H): 15 in<sup>2</sup> (3.75" x 4")

Vent Length: 18"

Vent Displacement: 0.21 ft<sup>3</sup>

Net Internal Volume (Vb): 1.43 ft<sup>3</sup>

F3, Ripple, Fb: 26Hz, 8.4 dB, 35Hz