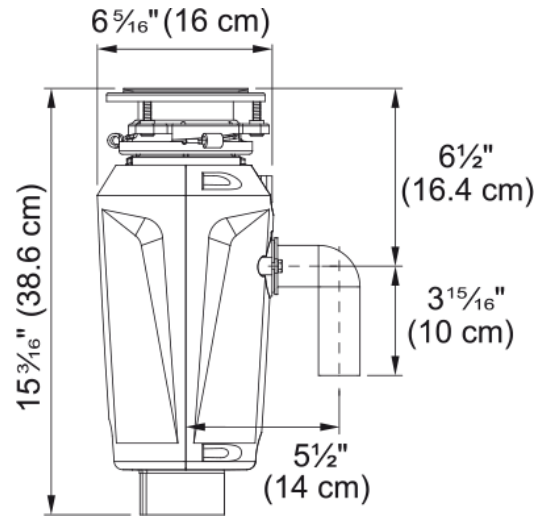


1 HP Food Waste Disposer - FWDS100 | 134.0713.689



Technical Data

Aspect

Product type Food waste disposer

Energy specifications

Voltage 120 V

Product identification

Product brand FRANKE

Product family None

Collection Disposer

Features

Horsepower 1 HP

Motor speed 2750.0

Waste disposer motor type Permanent magnet

Feed type Continuous