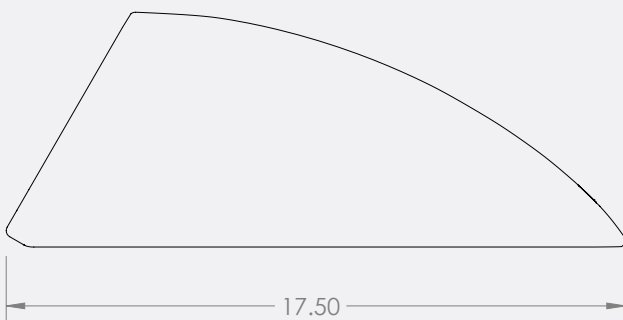
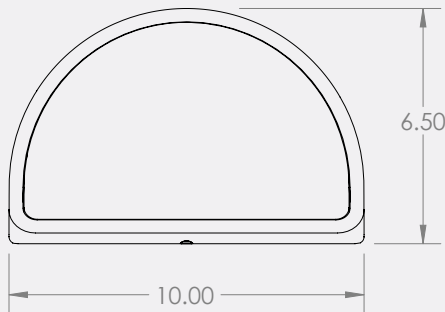


CONTOUR

The Contour is an outdoor speaker with a sleek low-profile design that is as equally at home in the landscape as on a hardscape. The custom coaxial driver features a fractal wave guide for improved efficiency outdoors. With a color-through rotomolded enclosure and fully concealed wiring, this speaker offers the perfect array of features to make it a clear choice for outdoor sound.

US D962,192 S



BROWN



WHITE



CONTOUR SPEAKER SPECIFICATIONS

Size: 17.5in (L) x 10in (W) x 6.5in (H)

Weight: 8lbs

Construction: Rotomolded color through composite,
Aluminum Grille

Finish: Brown, White

Coax: 5-1/4" Polypropylene w/ Santoprene Surround
1" Titanium Dome Tweeter

Power Handling: 75W Max Power

Minimum Amplifier Power: 25W

Frequency Response: 70hz - 20kHz (@-6dB)

Efficiency: 88dB 1w/M

Dispersion: 100°@ -6dB



Impedance: 16 ohms

Mounting: Freestanding, Deck Mount, Wall, Ceiling

Speaker Connector: CMC Male Connector

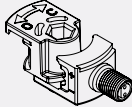

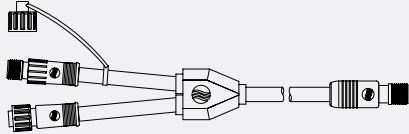


Warranty: 5-Year Limited Warranty*

ORDERING INFORMATION

SPEAKER	FINISH
CT110	BN (BROWN) 
	WT (WHITE) 

CT110 — BN e.g. **CT110BN** = 2-Way Contour Speaker, Brown

ACCESSORIES

SKU	ITEM	
CL1600BK-10PK	CamLock	
IFSCMCF	Female In-Field Splice (CMC)	
DCY6BK	Direct Connect CMC/CC Y-Cable - Black	
SPK8M6K4SS	Stainless Steel Ground Spikes	
MLSTKSS	Match Landscape Stake	

*All Coastal Source products bear a 2-year limited warranty for commercial/non-residential installations.