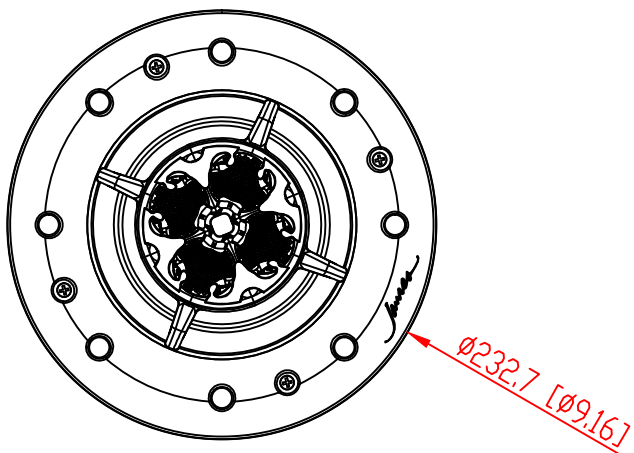
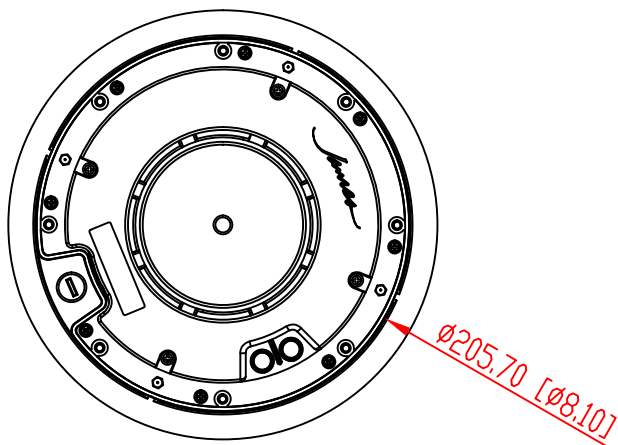


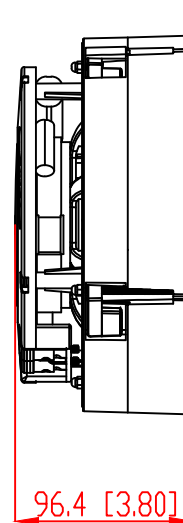
FRONT



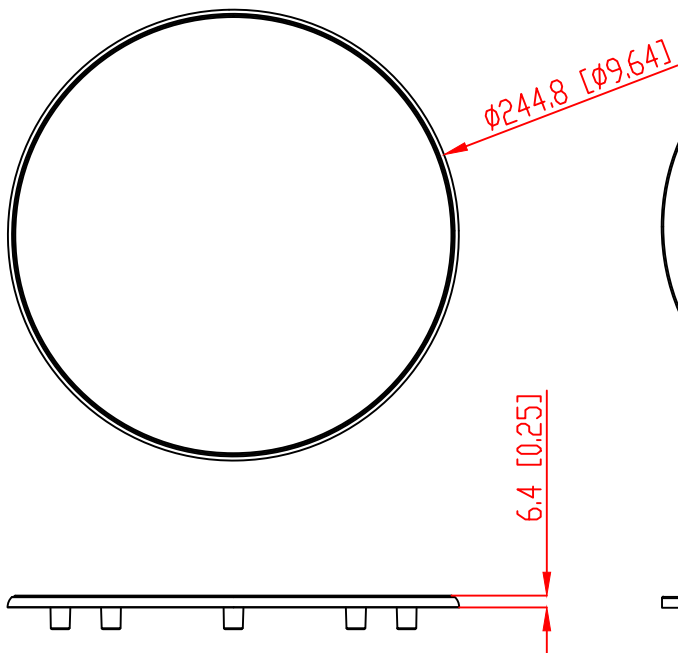
BACK / MINIMUM CUTOUT



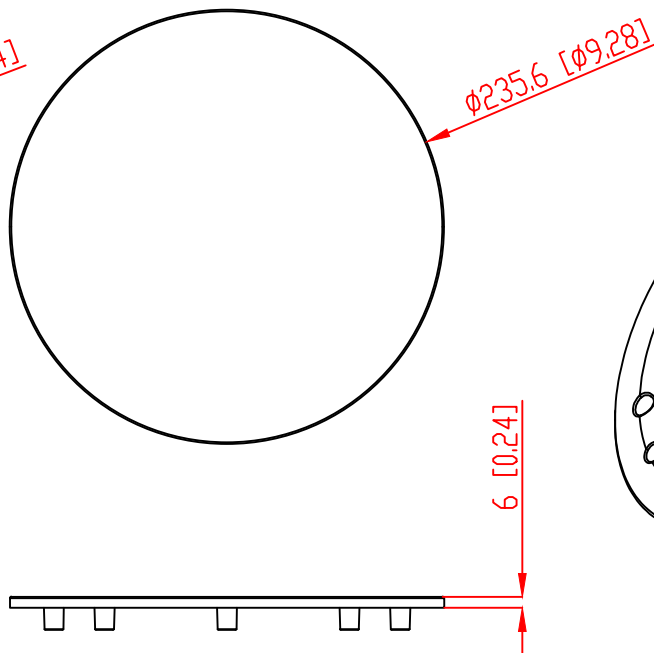
MOUNTING DEPTH



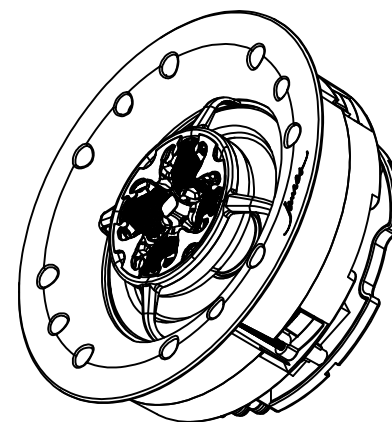
MICRO TRIM GRILLE



TRIMLESS GRILLE



ISOMETRIC



2185 Park Place
Minden, Nevada 89423 USA
775-461-7500
www.jamesloudspeaker.com



VXQ68R SPEAKER

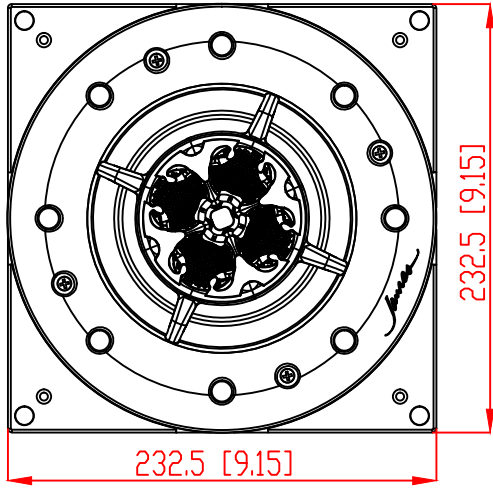
SCALE: 1:1
SHEET: 0F

DRAWN BY: Roy
RELEASED ON:

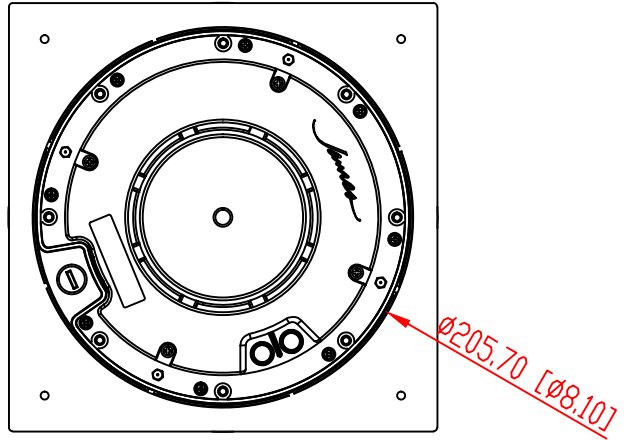
DRWN - PART NUMBER

REV.

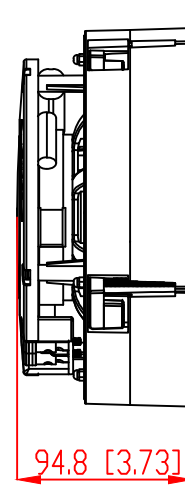
FRONT



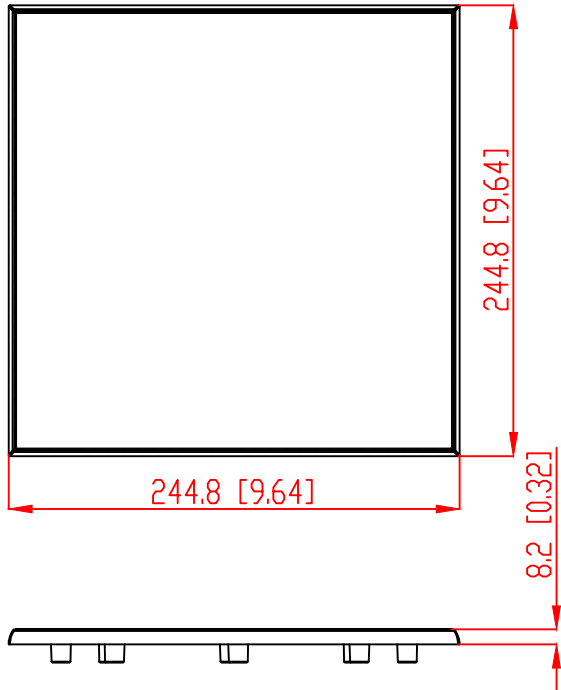
BACK / MINIMUM CUTOUT



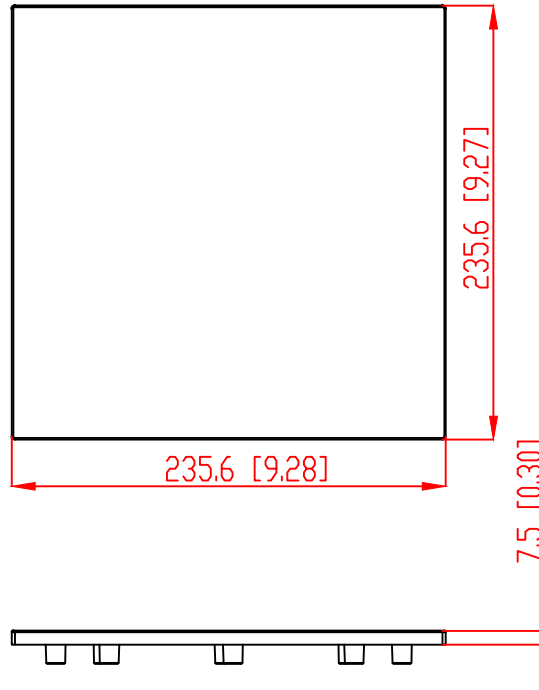
MOUNTING DEPTH



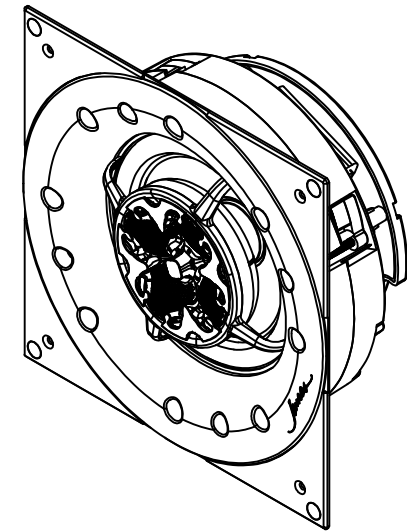
MICRO TRIM GRILLE



TRIMLESS GRILLE



ISOMETRIC



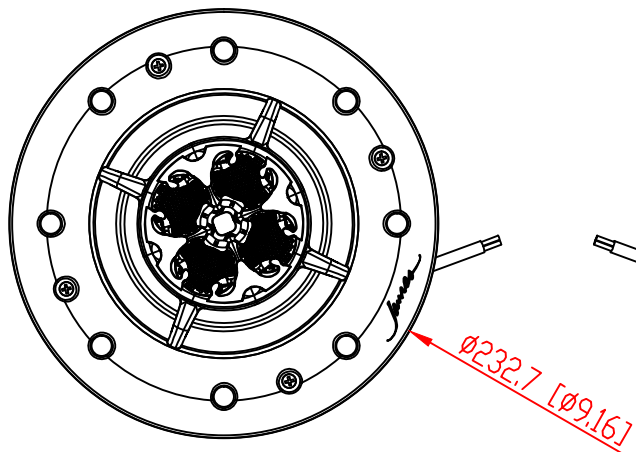
2185 Park Place
Minden, Nevada 89423 USA
775-461-7500
www.jamesloudspeaker.com



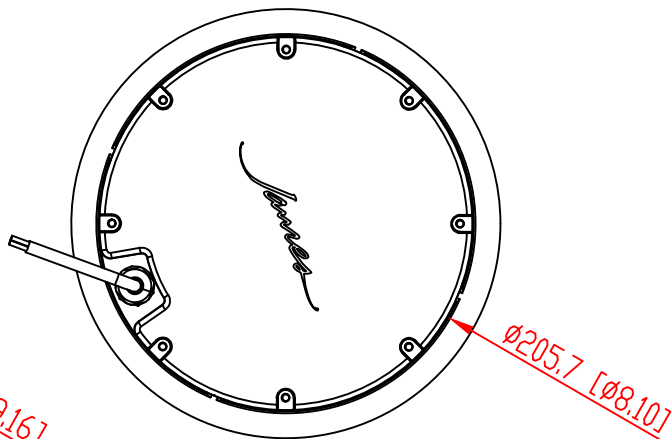
VXQ68R WITH SQUARE ADAPTOR SPEAKER

SCALE: 1:1	DRAWN BY: Roy	REV.
SHEET: 01	RELEASED IN:	DRAWN - PART NUMBER

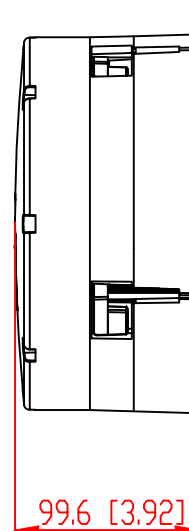
FRONT



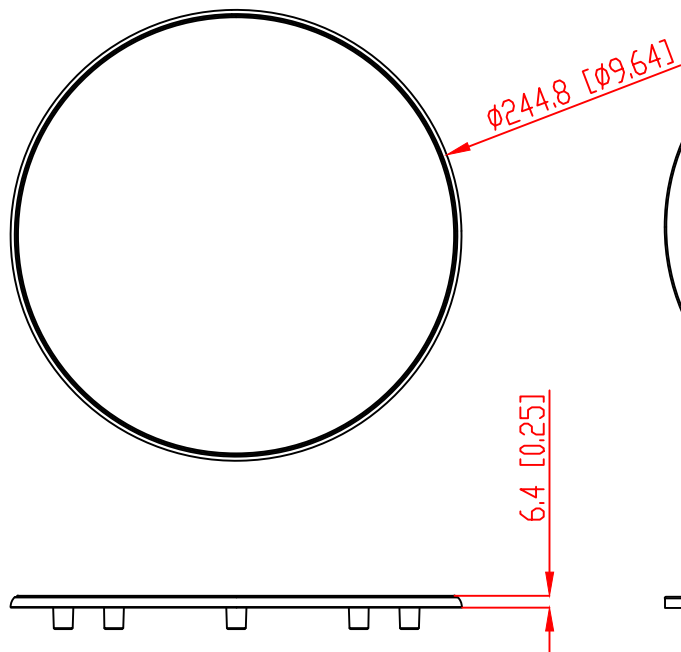
BACK / MINIMUM CUTOUT



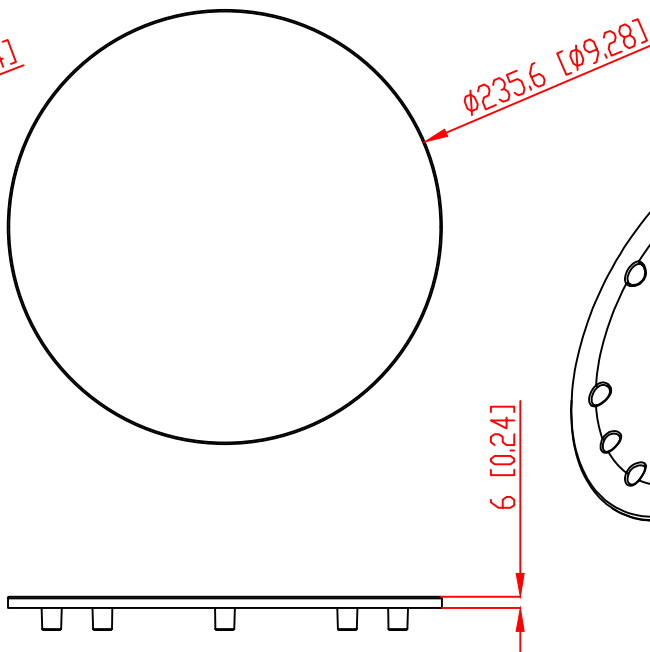
MOUNTING DEPTH



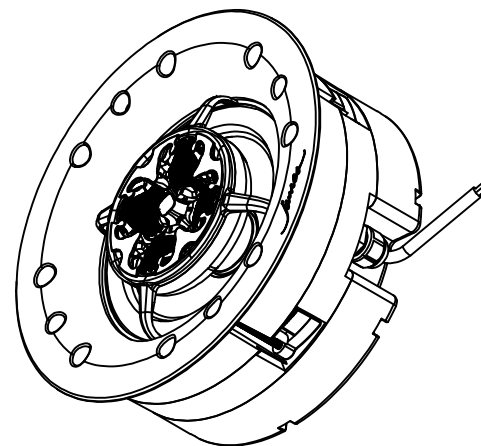
MICRO TRIM GRILLE



TRIMLESS GRILLE



ISOMETRIC



2185 Park Place
Minden, Nevada 89423 USA
775-461-7500
www.jamesloudspeaker.com



VX068R WITH SHALLOW ENCLOSURE SPEAKER

SCALE: 1:1

DRAWN BY: Roy

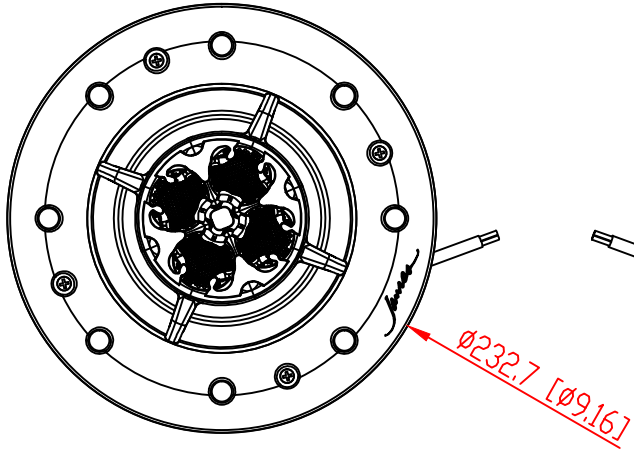
DRWN - PART NUMBER

REV.

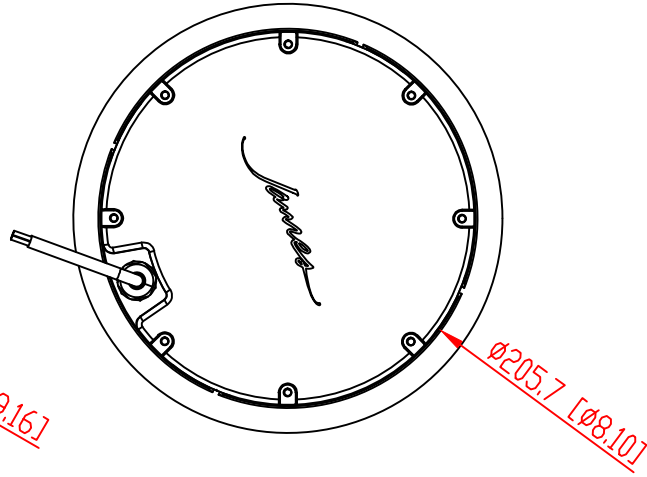
SHEET: 0F

RELEASED DIM

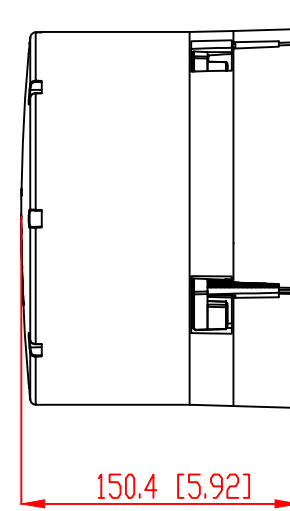
FRONT



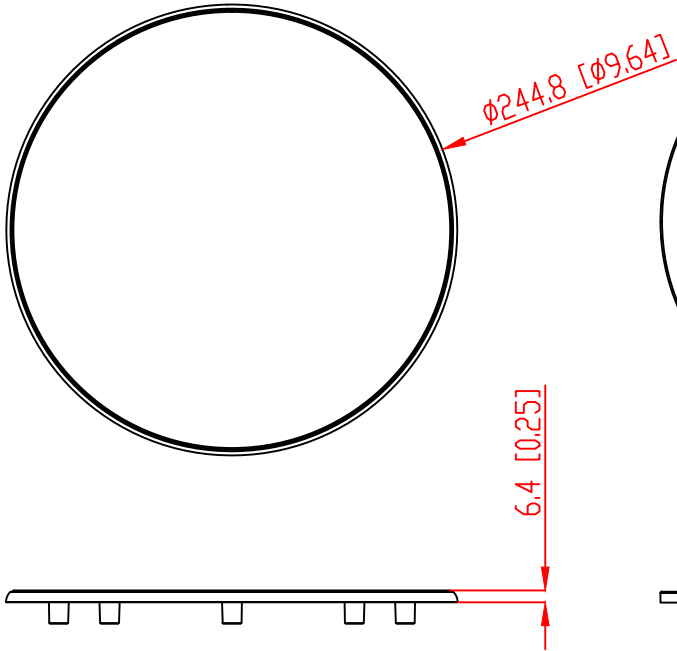
BACK / MINIMUM CUTOUT



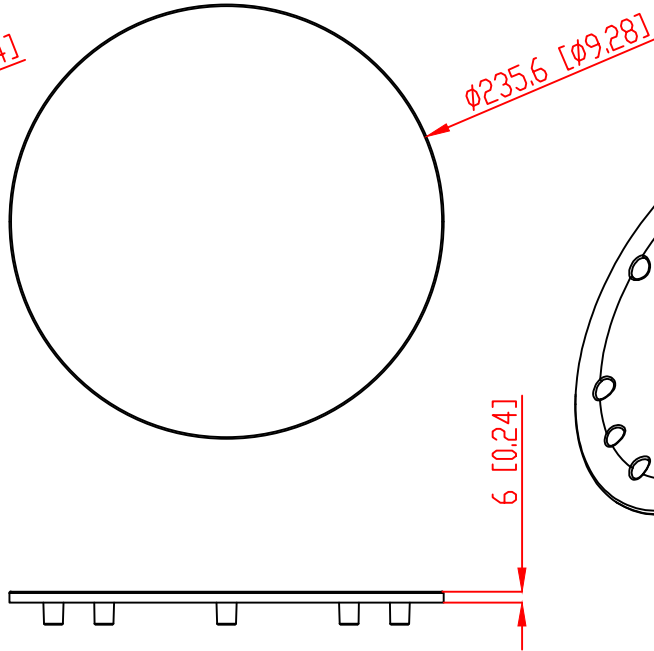
MOUNTING DEPTH



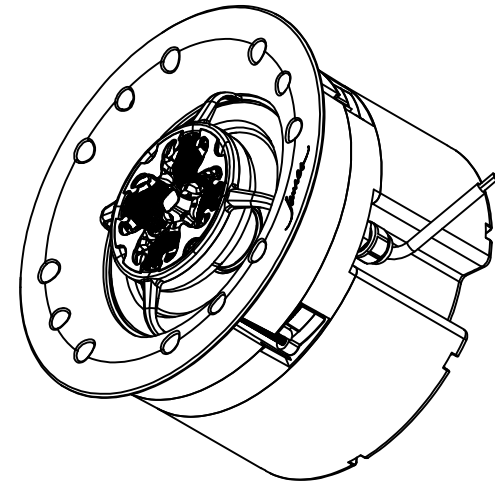
MICRO TRIM GRILLE



TRIMLESS GRILLE



ISOMETRIC



2185 Park Place
Minden, Nevada 89423 USA
775-461-7500
www.jamesloudspeaker.com



VX068R WITH DEEP ENCLOSURE SPEAKER

SCALE: 1:1
SHEET: 0F

DRAWN BY: Roy
DRAWN - PART NUMBER

REV.

RELEASED DIM.