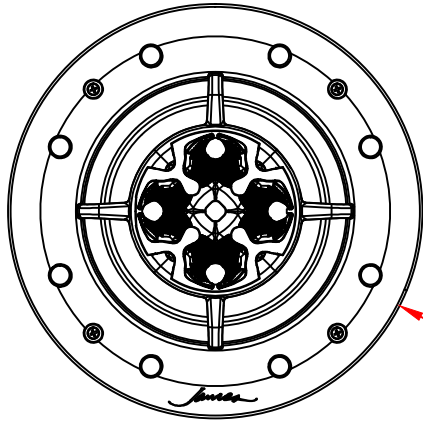
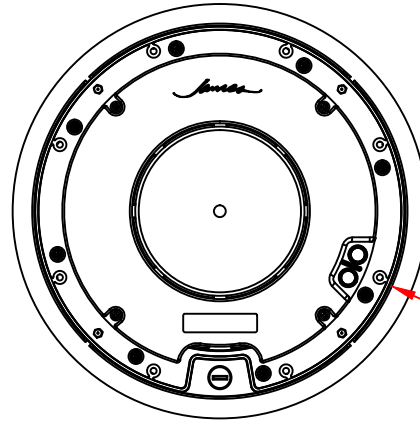


FRONT



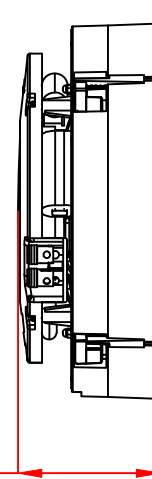
$\phi 281.10$ [$\phi 11.07$]

BACK / MINIMUM CUTOUT



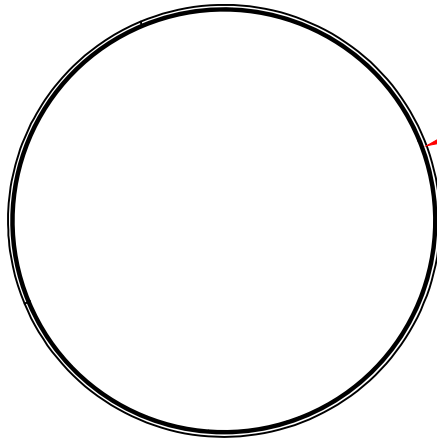
$\phi 254.5$ [$\phi 10.02$]

MOUNTING DEPTH



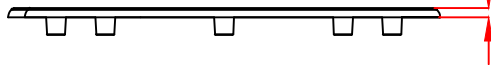
96.1 [3.78]

MICRO TRIM GRILLE

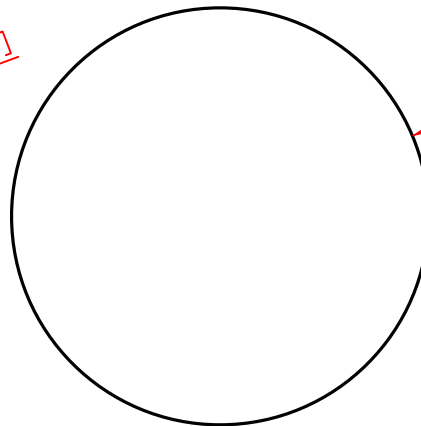


$\phi 293.2$ [$\phi 11.54$]

6.41 [0.25]

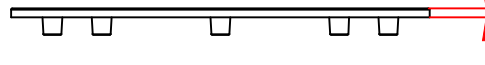


TRIMLESS GRILLE

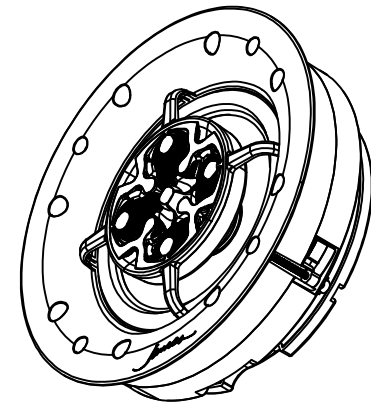


$\phi 283.8$ [$\phi 11.17$]

6 [0.24]



ISOMETRIC



VX088R SPEAKER

REV.

DRAWN - PART NUMBER

RELEASED DIM.

SCALE: 4:5

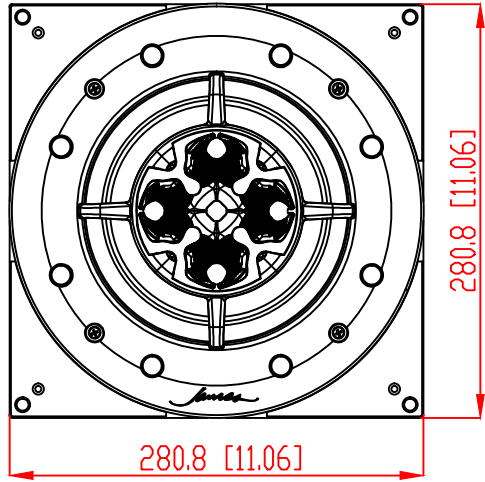
SHEET: 0F

DRAWN BY: Roy

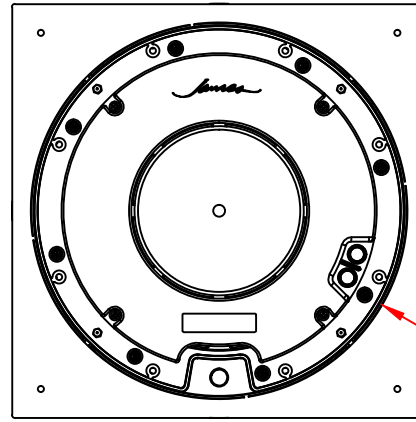
2185 Park Place
Minden, Nevada 89423 USA
775-461-7500
www.jamesloudspeaker.com



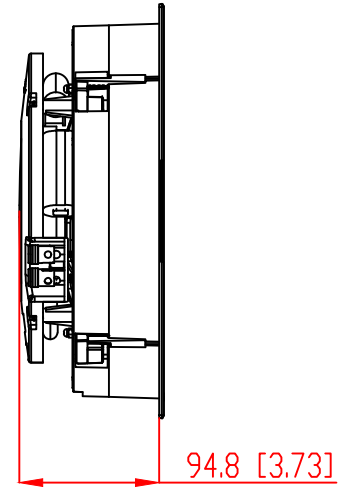
FRONT



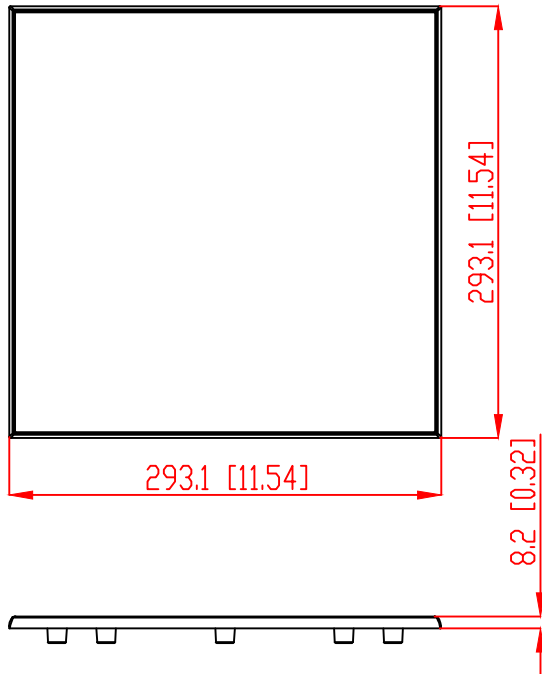
BACK / MINIMUM CUTOUT



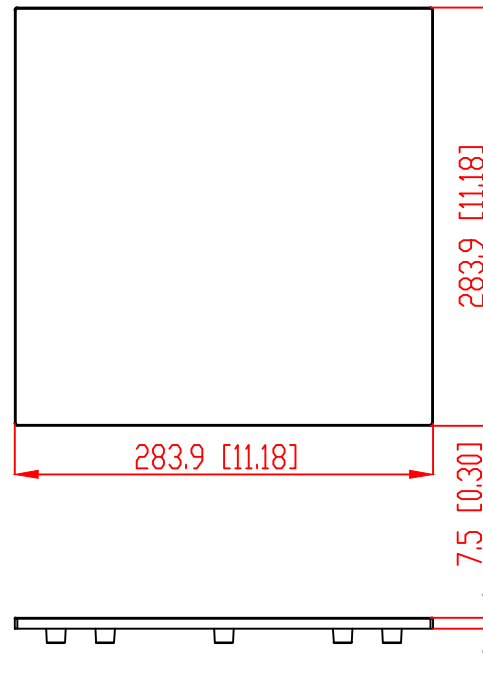
MOUNTING DEPTH



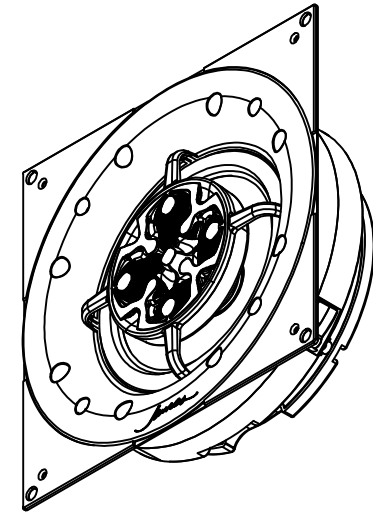
GRILLE WITH TRIM



GRILLE WITHOUT TRIM



ISOMETRIC



2185 Park Place
Minden, Nevada 89423 USA
775-461-7500
www.jamesloudspeaker.com



VXQ88R WITH SQUARE ADPTOR SPEAKER

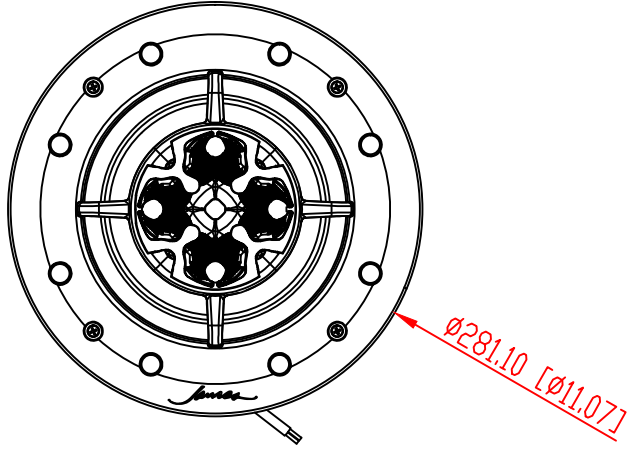
SCALE: 4 : 5
SHEET: 0F

DRAWN BY: Roy
RELEASED DIM:

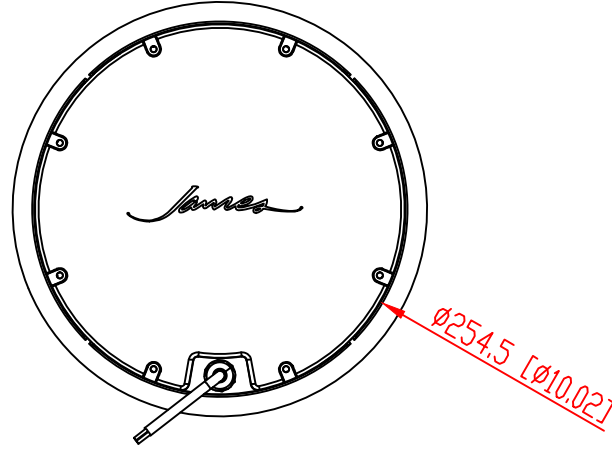
DRWN - PART NUMBER

REV.

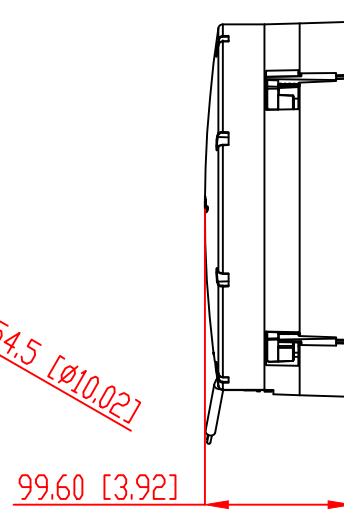
FRONT



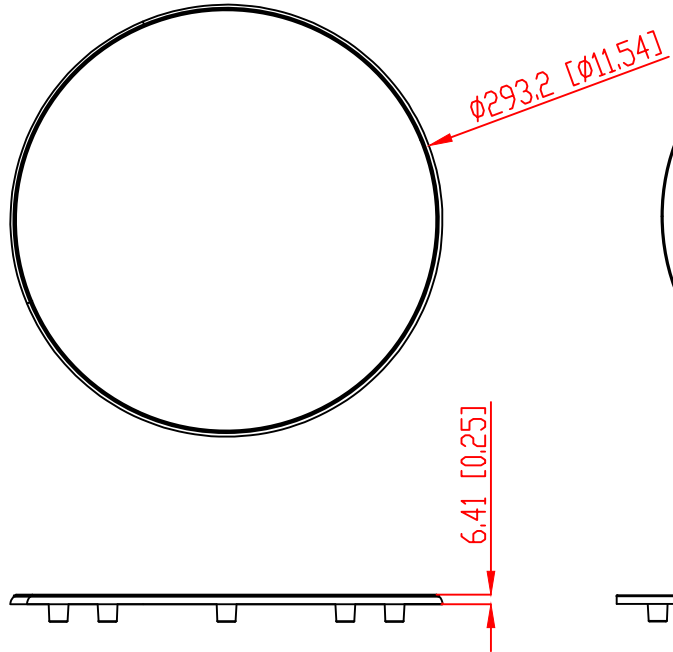
BACK / MINIMUM CUTOUT



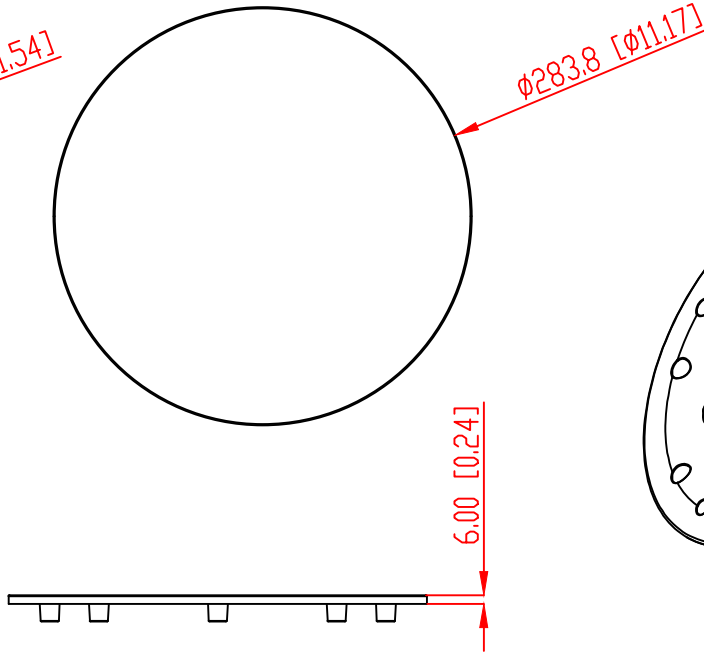
MOUNTING DEPTH



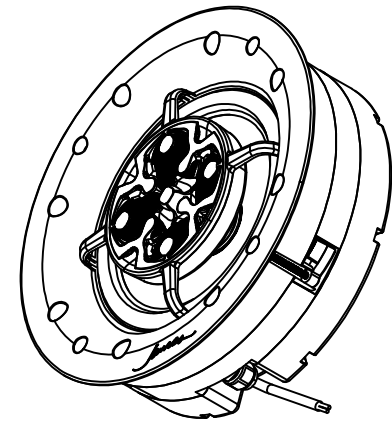
MICRO TRIM GRILLE



TRIMLESS GRILLE



ISOMETRIC



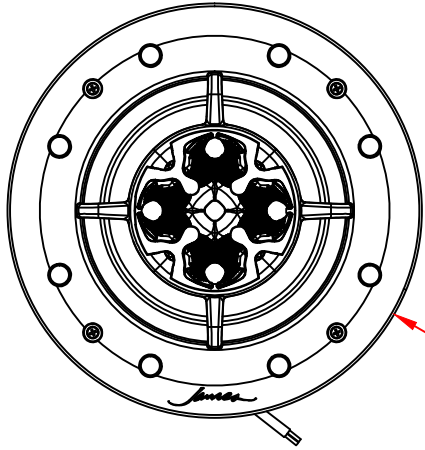
2185 Park Place
Minden, Nevada 89423 USA
775-461-7500
www.jamesloudspeaker.com



VX088R WITH SHALLOW ENCLOSURE SPEAKER

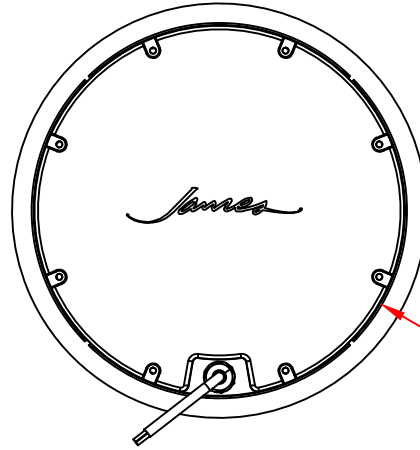
SCALE: 4:5	DRAWN BY: Roy	REV.
SHEET: 0F	RELEASED DIM	DRAWN - PART NUMBER

FRONT



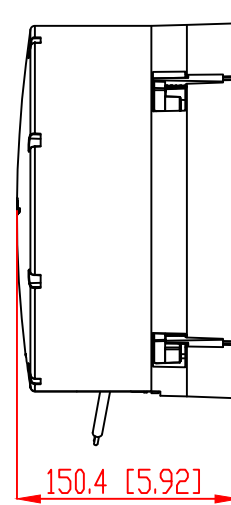
Ø281.10 [Ø11.07]

BACK / MINIMUM CUTOUT



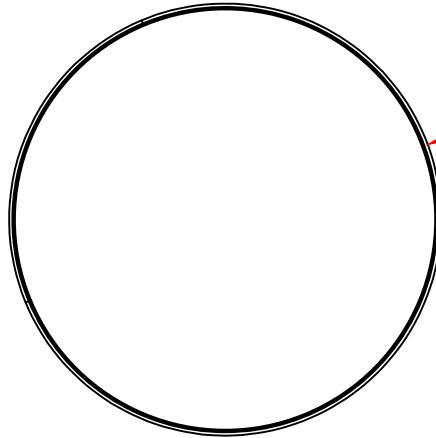
Ø254.5 [Ø10.02]

MOUNTING DEPTH



150.4 [5.92]

MICRO TRIM GRILLE

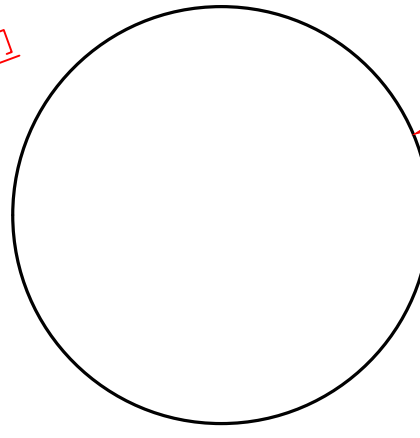


Ø293.2 [Ø11.54]

6.41 [0.25]



TRIMLESS GRILLE

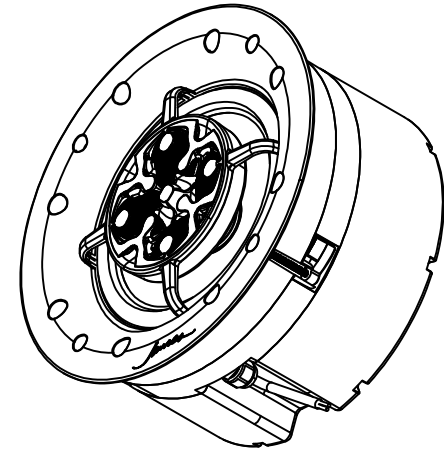


Ø283.8 [Ø11.17]

6 [0.24]



ISOMETRIC



2185 Park Place
Minden, Nevada 89423 USA
775-461-7500
www.jamesloudspeaker.com



VX088R WITH DEEP ENCLOSURE SPEAKER

SCALE: 4 : 5
SHEET: 0F

DRAWN BY: Roy
RELEASED DIM:

DRWN - PART NUMBER

REV.