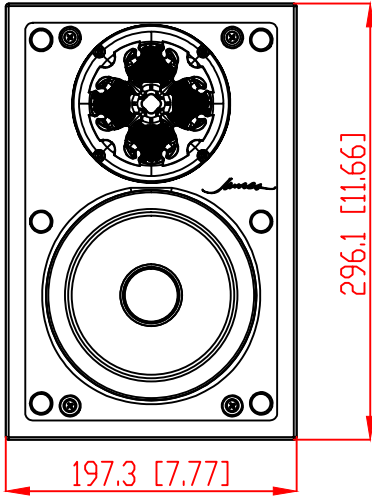
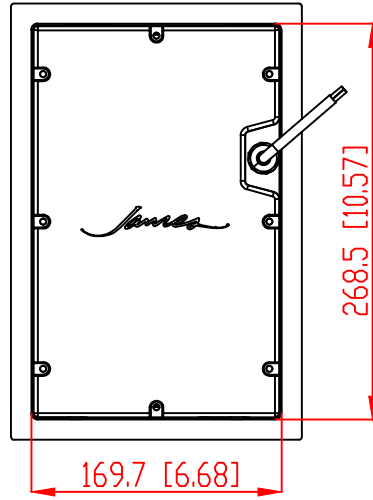
 BY SONANCE		2185 Park Place Minden, Nevada 89423 USA 775-461-7500 www.jamesloudspeaker.com	
		SCALE: 4:5 SHEET: 0F	DRAWN BY: Roy

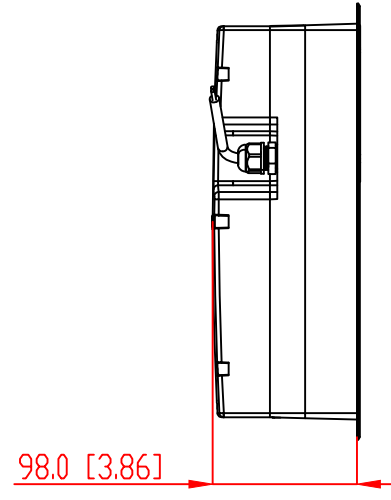
FRONT



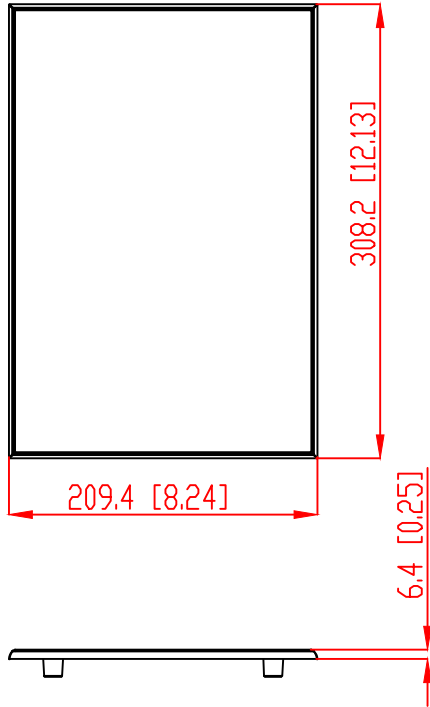
BACK / MINIMUM CUTOUT



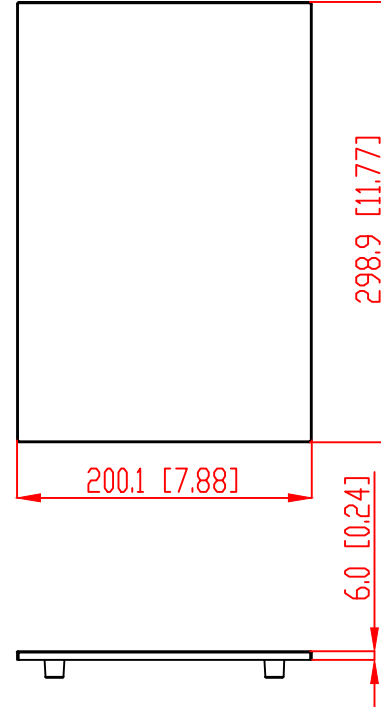
MOUNTING DEPTH



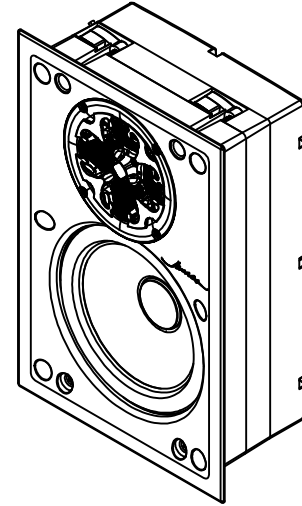
MICRO TRIM GRILLE



TRIMLESS GRILLE



ISOMETRIC



2185 Park Place  
Minden, Nevada 89423 USA  
775-461-7500  
www.jamesloudspeaker.com



VX068 WITH ENCLOSURE

SCALE: 4 : 5  
SHEET: 0F

DRAWN BY: Roy  
DRAWN - PART NUMBER

REV.

RELEASED DIM