

ETT304, MET304, ETT365, METB365

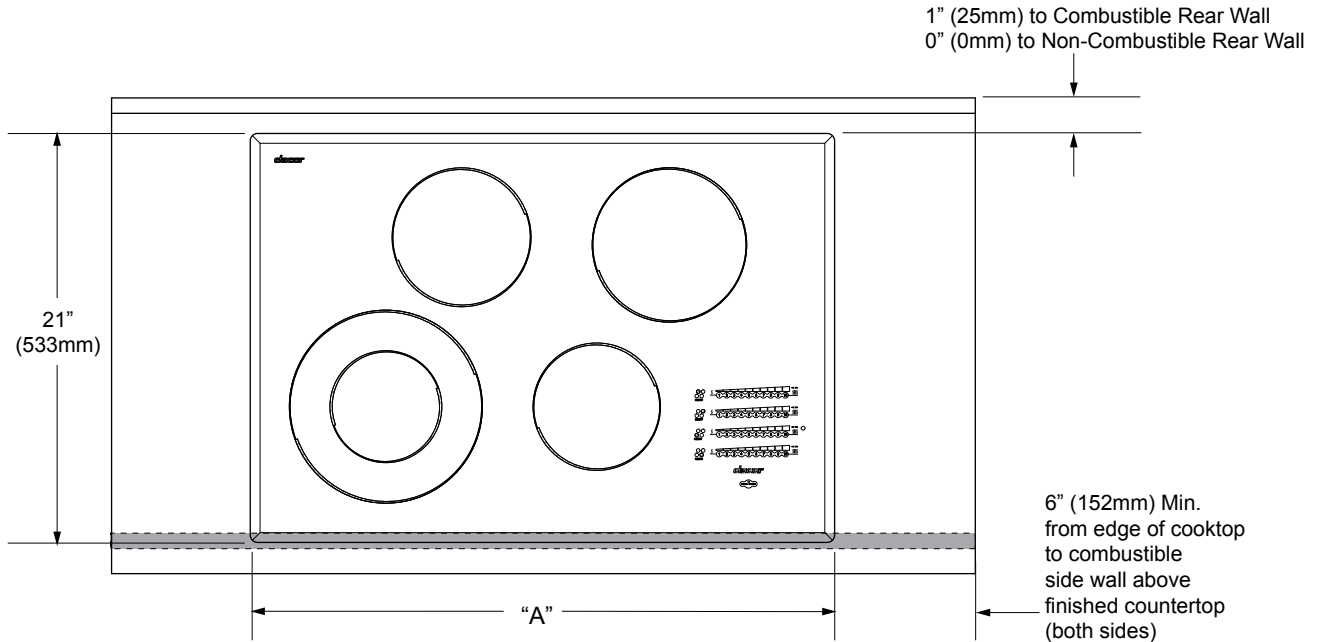


092105

30", 36" Wide, Millennia™ Electric Cooktops

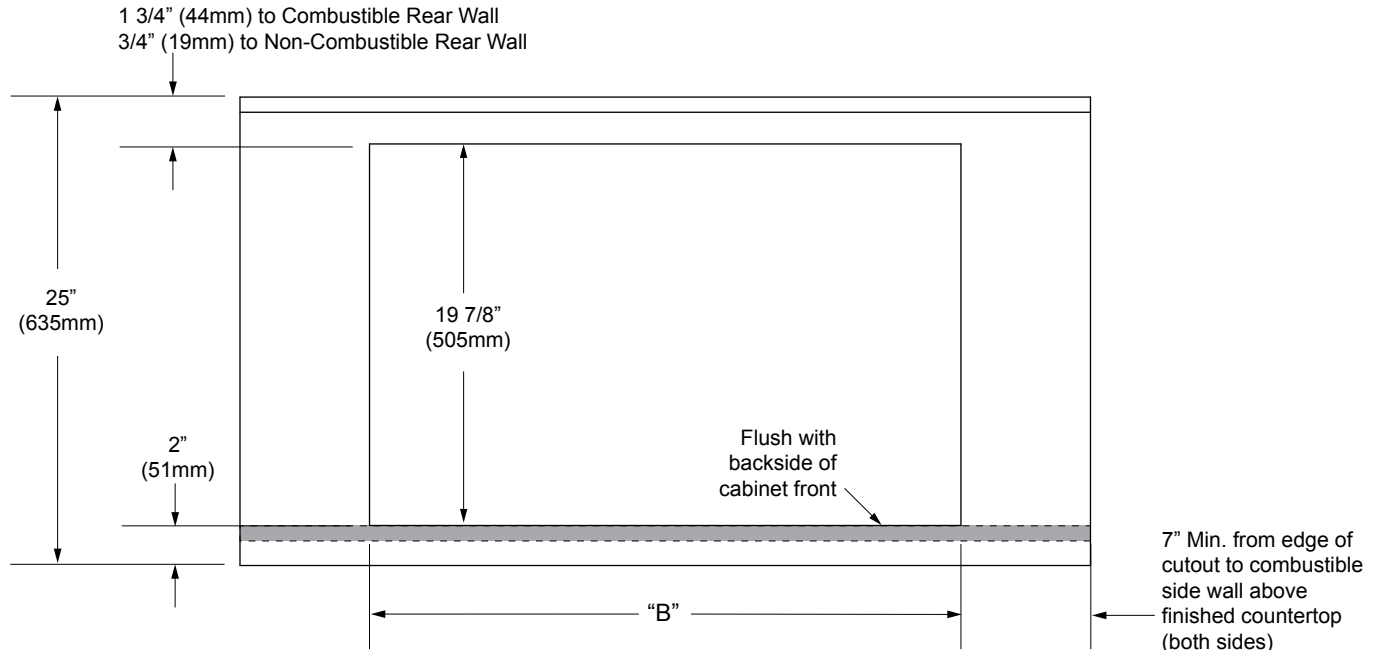
1/2

PLANNING GUIDE



OVERALL DIMENSIONS
(MET304 Shown)

Models	"A" Cooktop Width	"B" Cooktop Cutout Width
30"	30" (762mm)	28 1/2" (724mm)
36"	36" (914mm)	34 1/2" (876mm)



TOP VIEW COUNTERTOP CUTOUT

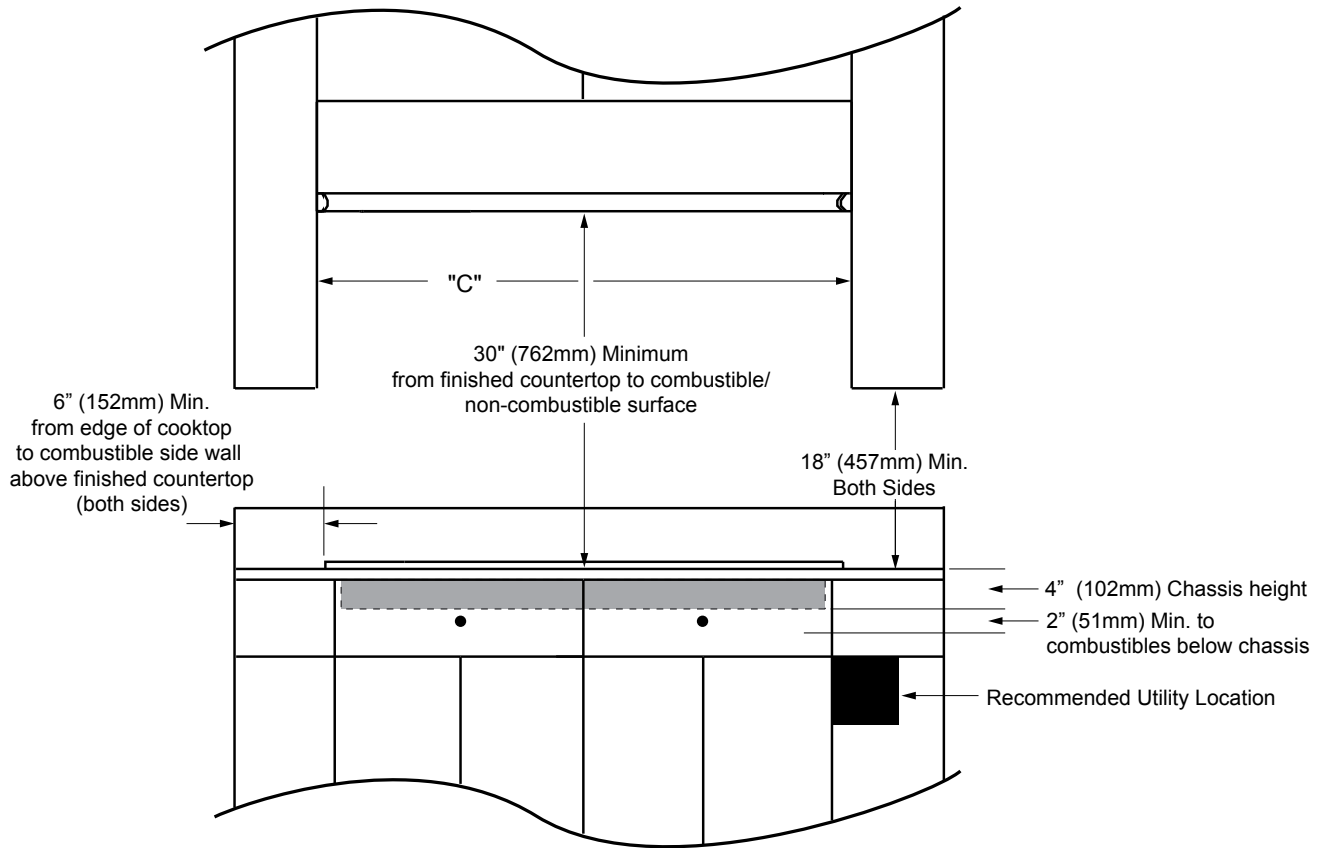
ETT304, MET304, ETT365, METB365



022207

**30", 36" Wide,
Millennia™ Electric Cooktops** 2/2

**PLANNING
GUIDE**



UPPER CABINET DIMENSIONS
(Upper Cabinets 13" (330mm) Maximum Depth)

Models	"C" Min. Hood Width	"C" Recommended Hood Width
30"	30" (762mm)	36" (914mm)
36"	36" (914mm)	42" (1067mm)

Model No.	Dedicated Circuit Required	Total Connected Load	Approximate Shipping Weight
CER304	240VAC, 60Hz, 30A (Breaker)	240VAC 6.9kW (29A)	55 lbs.
CERB365	240VAC, 60Hz, 50A (Breaker)	240VAC 9.6kW (40A)	64 lbs.
ETT304	240VAC, 60Hz, 30A (Breaker)	240VAC, 6.9kW (29A)	45 lbs.
ETT365	240VAC, 60Hz, 40A (Breaker)	240VAC 8.9kW (37A)	53 lbs.
MET304	240VAC, 60Hz, 30A (Breaker)	240VAC 6.9kW (29A)	45 lbs.
METB365	240VAC, 60Hz, 50A (Breaker)	240VAC 9.6kW (40A)	54 lbs.



NOTES:

- Cooktop is supplied with a 48" (1219mm) flexible conduit.**
- The Cooktops are not approved for recessed installation.**
- All power conduits are located in the back right corner of the Cooktop.**
- See the Combination Installation (CI) Section if installing with a downdraft, wall oven, or warming oven.**