

## G 5008 SCU

### 24" Pre-Finished Dishwasher

#### Features:

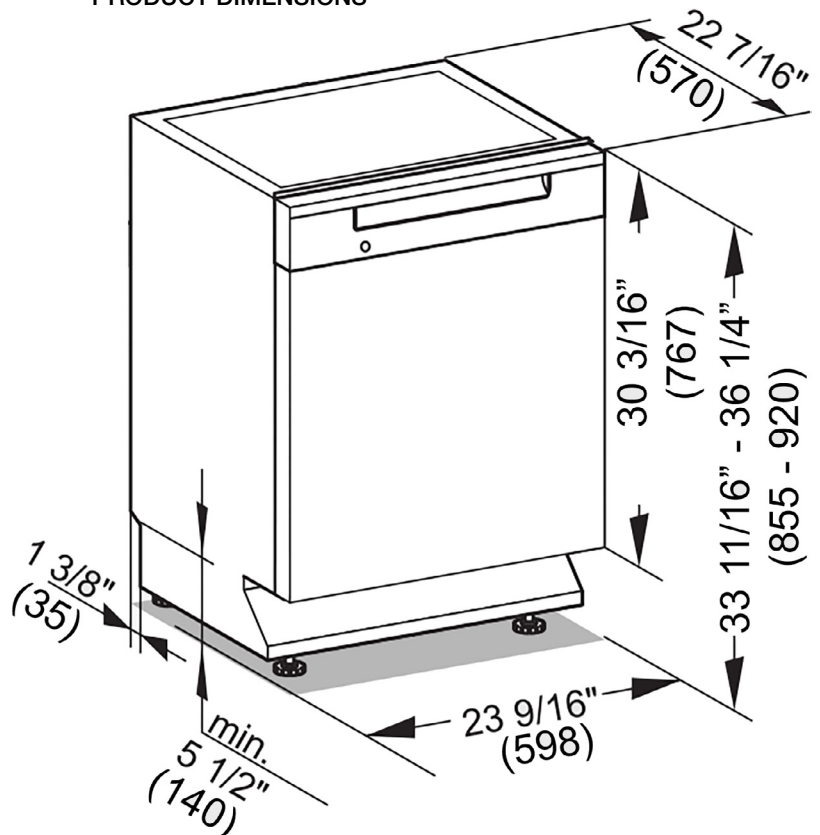
- DirectSelect Controls
- Integrated Handle
- Comfort Baskets
- Original Cutlery Tray
- EcoPower Technology
- Whisper quiet 44 dB(A)
- QuickIntenseWash - 58 min. program
- SaniWash - Sanitize cycle
- ExtraClean & ExtraDry Options to customize wash programs
- Delayed Start
- EnergyStar Most Efficient 2022



MATERIAL #	EAN #
11966810	4002516523550

SPECIFICATIONS	
Overall Unit Dimensions	23 <sup>9</sup> / <sub>16</sub> " (598 mm) W x 33 <sup>11</sup> / <sub>16</sub> " - 36 <sup>1</sup> / <sub>4</sub> " (855 - 920 mm) H x 22 <sup>7</sup> / <sub>16</sub> " (570 mm) D [Depth does not include door panel]
Niche	
Minimum Cabinet Niche Opening	23 <sup>5</sup> / <sub>8</sub> " (600 mm) W x 33 <sup>3</sup> / <sub>4</sub> " (857 mm) H x 22 <sup>7</sup> / <sub>16</sub> " (570 mm) D
Plumbing	
Water Supply Requirements	<ul style="list-style-type: none"> <li>• Cold or Hot (max 150°F/65°C) water connection</li> <li>• Male 3/8" compression fitting</li> <li>• Water pressure range 7.25 psi (0.5 bar) and 145 psi (10 bar)</li> </ul>
Water Connection Line (Supplied)	Length: 5 ft (1.5 m) Female 3/8" compression.
Drain Hose (Supplied)	Length: 5 ft (1.5 m) 7/8" (22 mm) internal diameter
Electrical	
Electrical Requirements	110V / 120V, 60Hz, 15 Amps
Power Cord (Convertible to hardwire)	NEMA 5-15 plug, 5 ft (1.52 m)
Shipping	
Shipping Weight	121 lbs (55 kg)
Shipping Dimensions	27 <sup>1</sup> / <sub>8</sub> " W x 38 <sup>1</sup> / <sub>8</sub> " H x 26 <sup>3</sup> / <sub>8</sub> " D

#### PRODUCT DIMENSIONS



## CUTOUT DIMENSIONS

