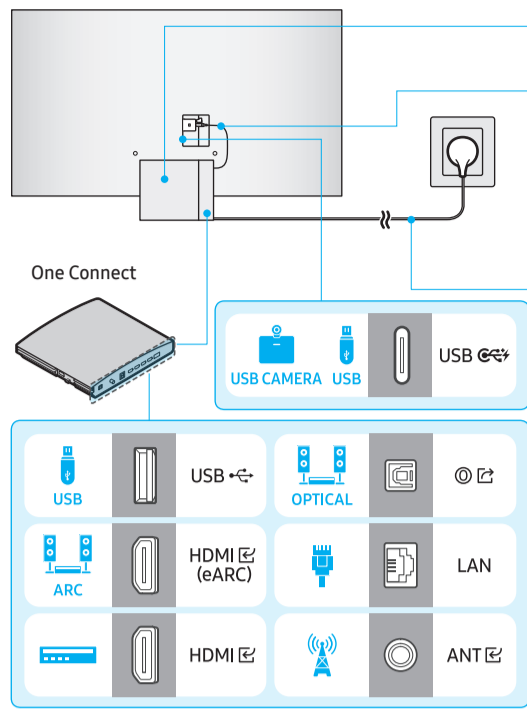


**SAMSUNG**

# Unpacking and Installation Guide



- a x 4 (M4 x L12)
- b x 4 (M4 x L12)
- c One Connect
- d-1
- d-2
- d-3 x 2
- e Power Cable User Manual / Regulatory Guide
- f Samsung Smart Remote HOLDER-BOLT x 3



Scan this QR code with your smart phone to see helpful videos.

**1**

**2**

**3**

**4**

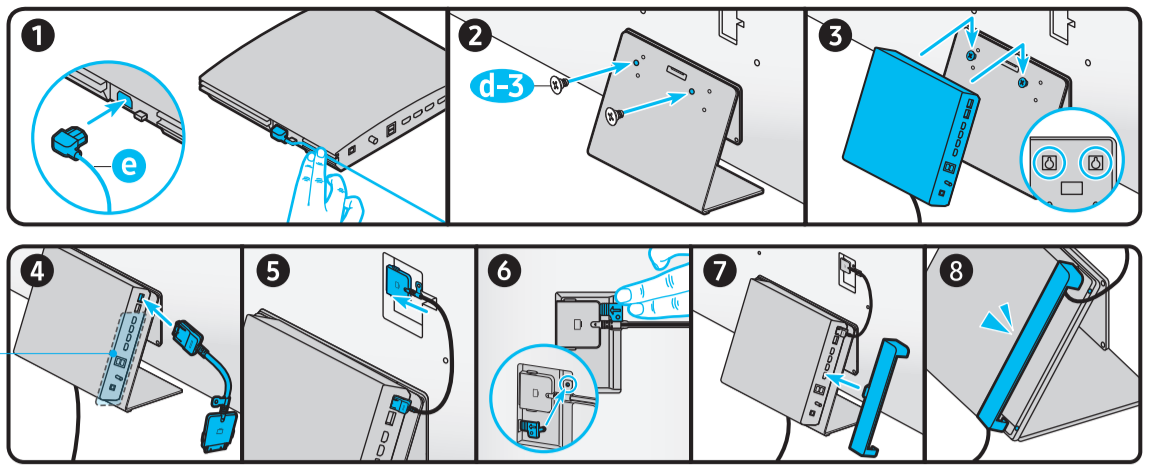
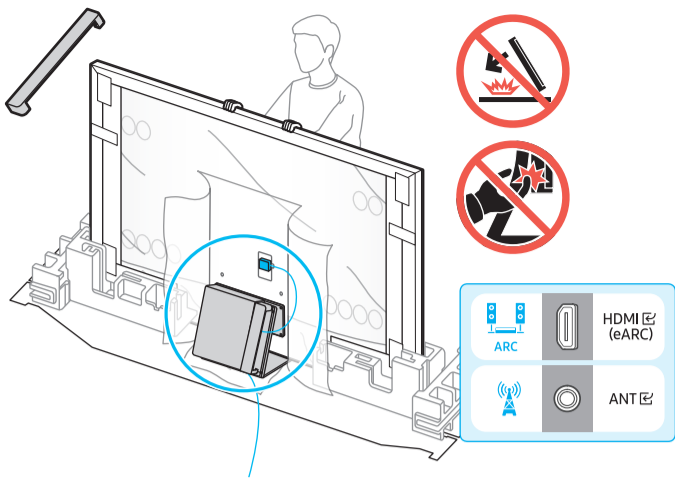
**5**

**6**

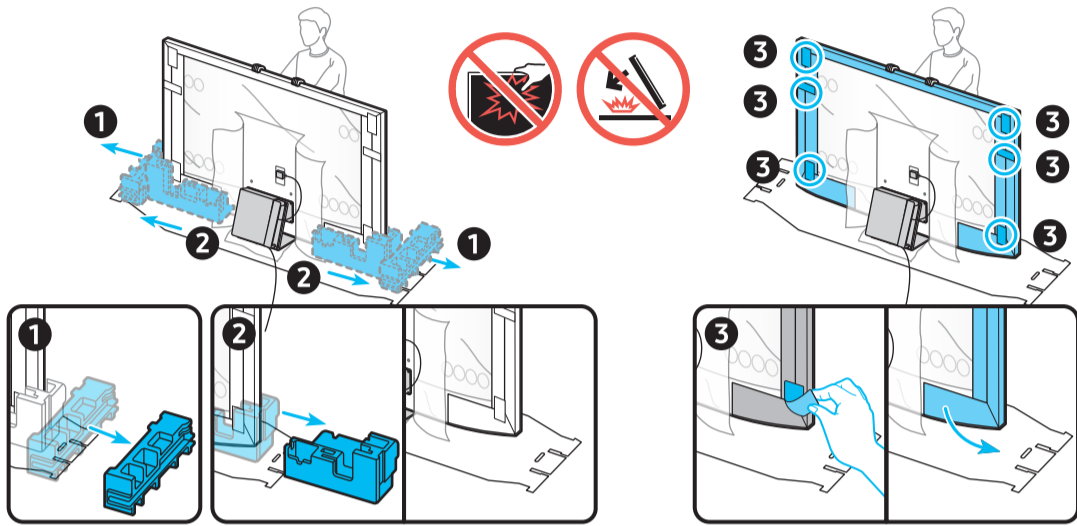
**7**

8

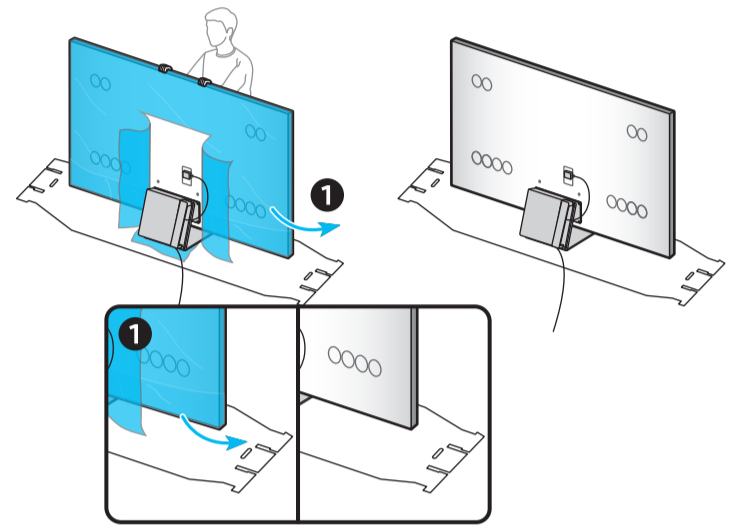
d-3  
x2



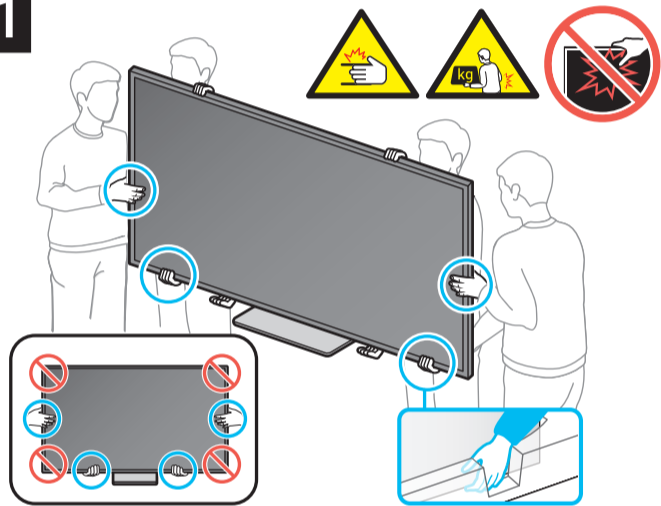
9



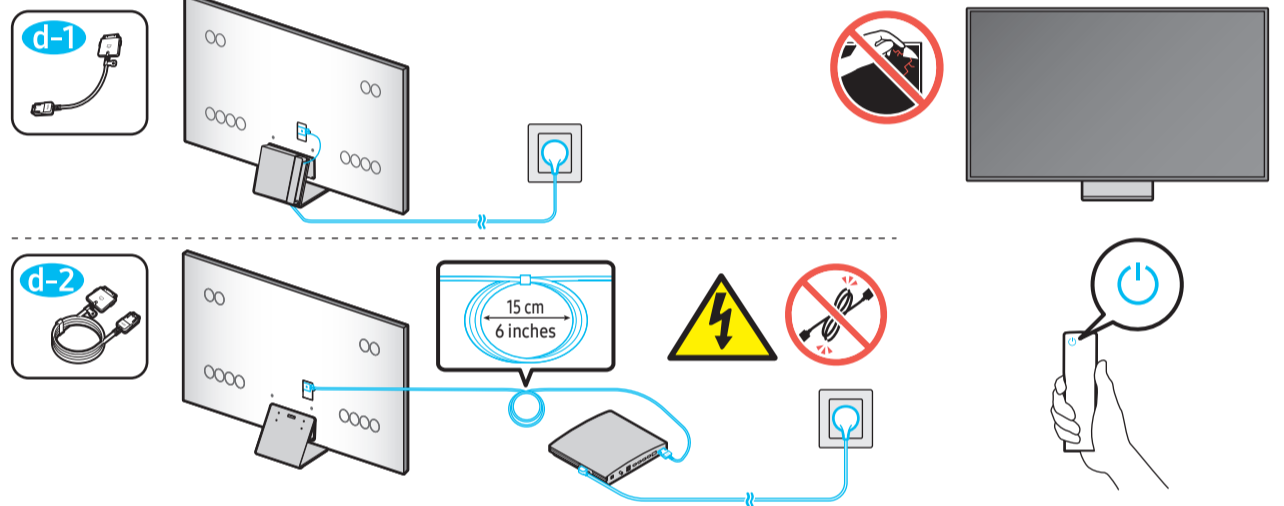
10



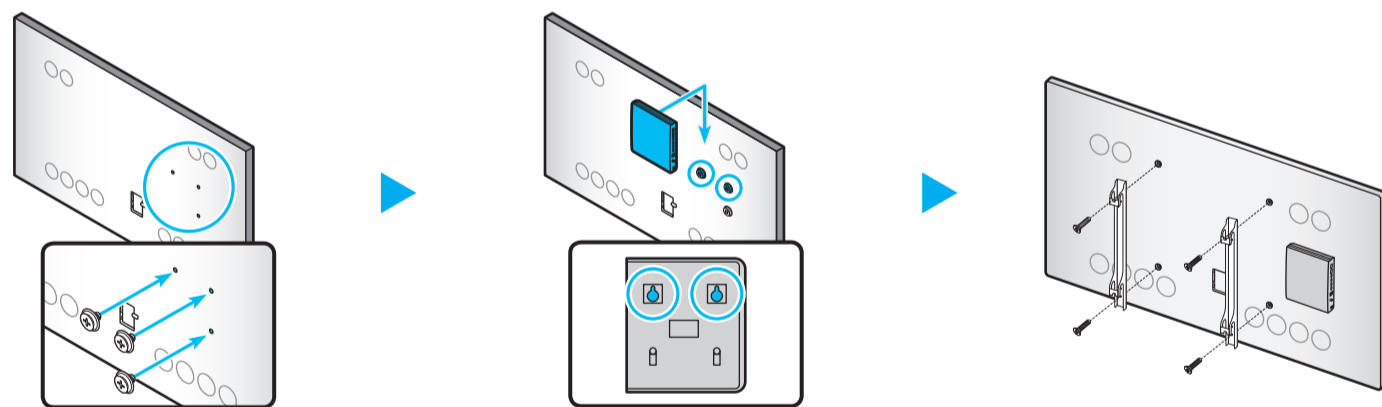
11



12

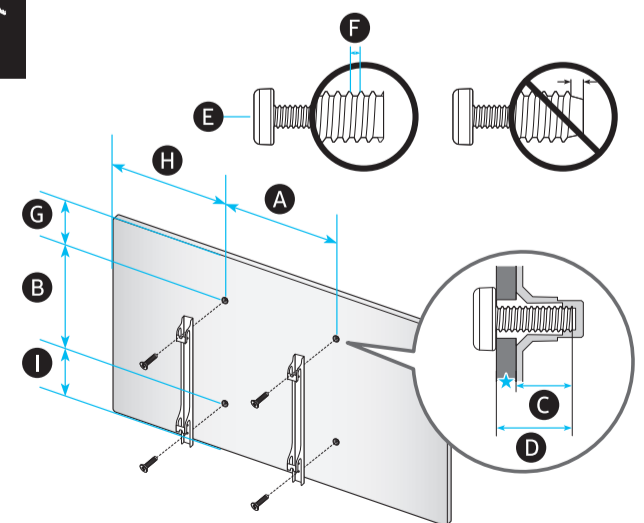
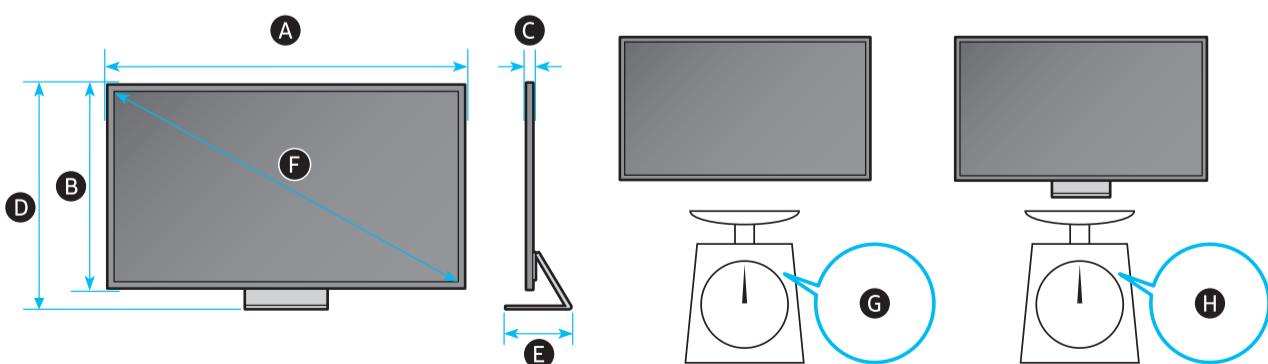


\* When installing the TV as wallmount, You can place the One Connect Box as shown below.



f HOLDER-BOLT x3

⚠ When installing the TV as stand, Don't place the One Connect Box on back of the TV.



\* : 0-9, A-Z

	A	B	C	D	E	F	G	H
98QN9**C	85.8 inches (2179.0 mm)	49.0 inches (1245.5 mm)	0.8 inches (19.9 mm)	51.8 inches (1316.4 mm)	14.6 inches (369.6 mm)	97.5 inches	150.0 lbs (68.0 kg)	190.7 lbs (86.5 kg)

\* : 0-9, A-Z

★ : Wall-Mount Bracket

	VESA A x B (mm)	C (mm)	D	E x 4	F (mm)	G (inches)	H (inches)	I (inches)
98QN9**C	600 x 400	5-6	C + ★	M8	1.25	12.4	31.0	20.5