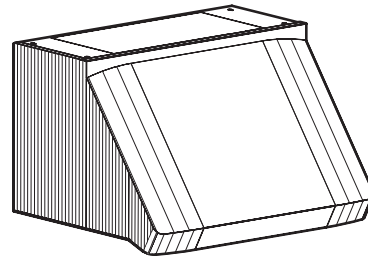


WP29M SERIES RANGE HOOD



For domestic cooking only.

Offers modern styling, high performance, and durable construction to meet the needs of professional-quality residential cooktops.

A complete installation requires several optional components. Refer to page 2 when planning your installation.

FEATURES

HOOD:

- Widths available - 30" to 60" in 6" increments
- Depths available - 24" (all widths), 27" (36" to 60" widths only)
- Stainless Steel, 20 gauge, type 304
- Stainless Steel baffle filters with removable mesh element - easily accessible, dishwasher safe
- Variable cooktop lighting (Uses 50W, GU10 halogen lamps. 30", 36" & 42" wide hoods = 4 lamps, 48", 54" & 60" wide hoods = 6 lamps. Bulbs included.)
- Solid-State, infinite speed blower control with speed memory
- Exclusive, Heat Sentry™ turns blower ON to HIGH speed when excess heat is detected

NON-DUCTED RECIRCULATING KIT:

ANKWP Series (Optional)

- Stainless steel, type 304
- Available for hood widths up to 48"

SOFFIT CHIMNEY:

AEWP Series (Optional)

- Widths - 30" to 60" in 6" increments
- Height - 6" or 12" versions
- Stainless Steel, 22 gauge, type 304
- Recommended for use when installation location has no soffit

DECORATIVE TOP COVER:

ADPWP Series (Optional)

- Stainless Steel, 22 gauge, type 304
- Widths - 30" to 60" in 6" increments

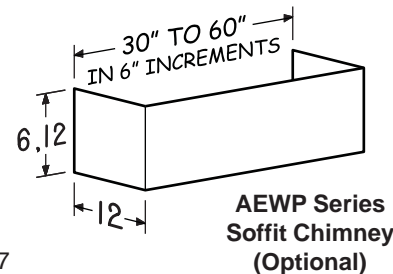
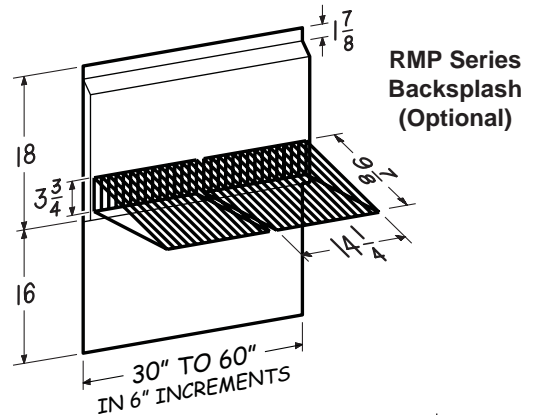
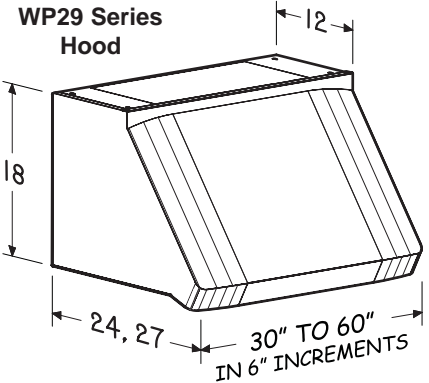
BACKSPLASH:

RMP Series (Optional)

- Widths - 30" to 60" in 6" increments
- Stainless steel, 22 gauge, type 430 - protects back wall and wipes clean easily
- Two (2) dual position condiment storage shelves

SPECIFICATION:

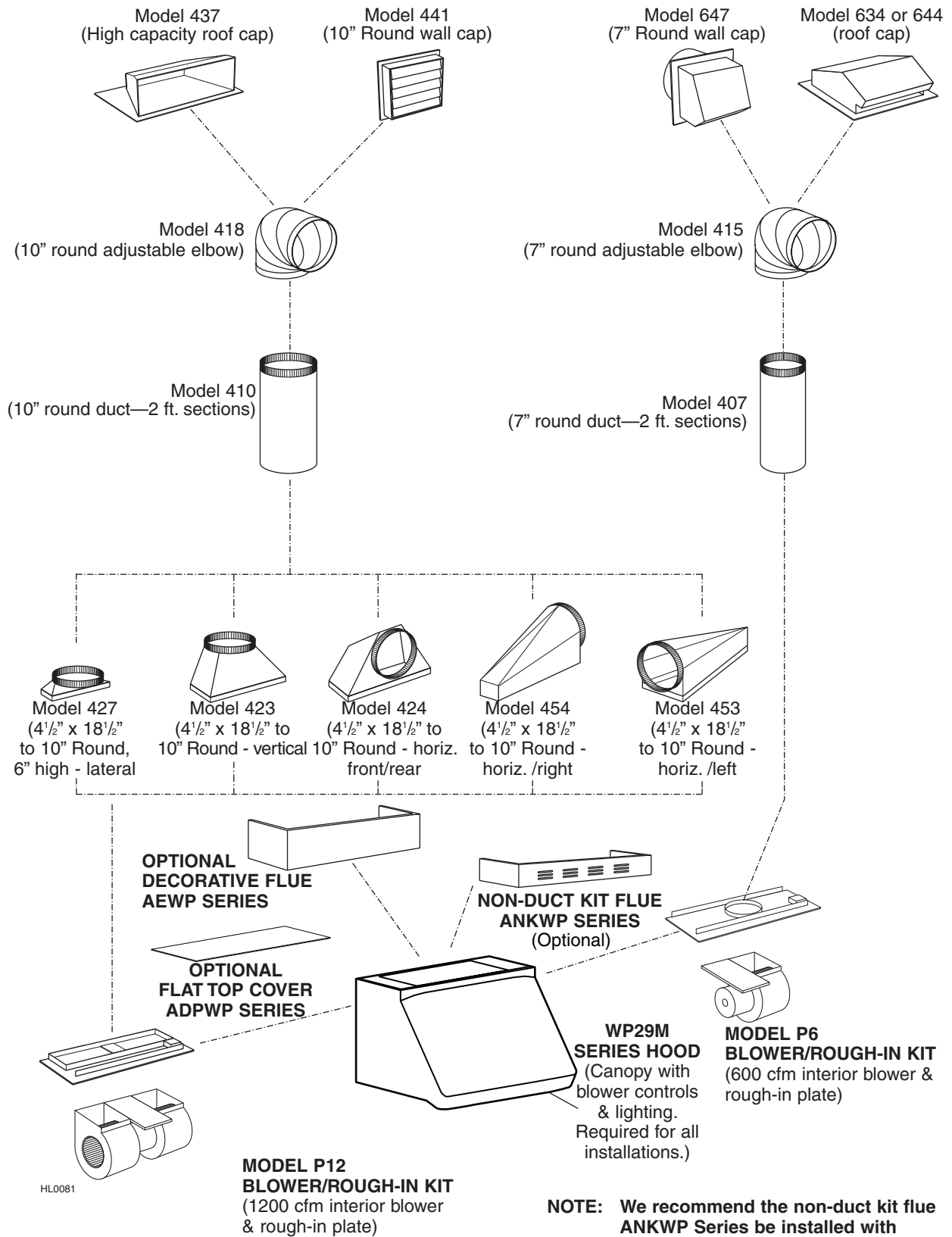
- 120 VAC, 60 Hz,
- 1.7 Amps (without blower - 30", 36", 42" widths)
- 2.5 Amps (without blower - 48", 54", 60" widths)



Best by Broan, P.O. Box 140, Hartford, WI 53027
Best by Broan, 550 Lemire Blvd., Drummondville, QC J2C 7W9 Canada

REFERENCE	QTY.	REMARKS	Project
			Location
			Architect
			Engineer
			Contractor
			Submitted By Date

- WP29M SERIES RANGE HOOD SYSTEM - INTERIOR BLOWERS



NOTE: We recommend the non-duct kit flue ANKWP Series be installed with Model P6 Blower/Rough-in kit, but the Model P12 can be used.

- WP29M SERIES RANGE HOOD SYSTEM -

IN-LINE AND EXTERIOR BLOWERS

